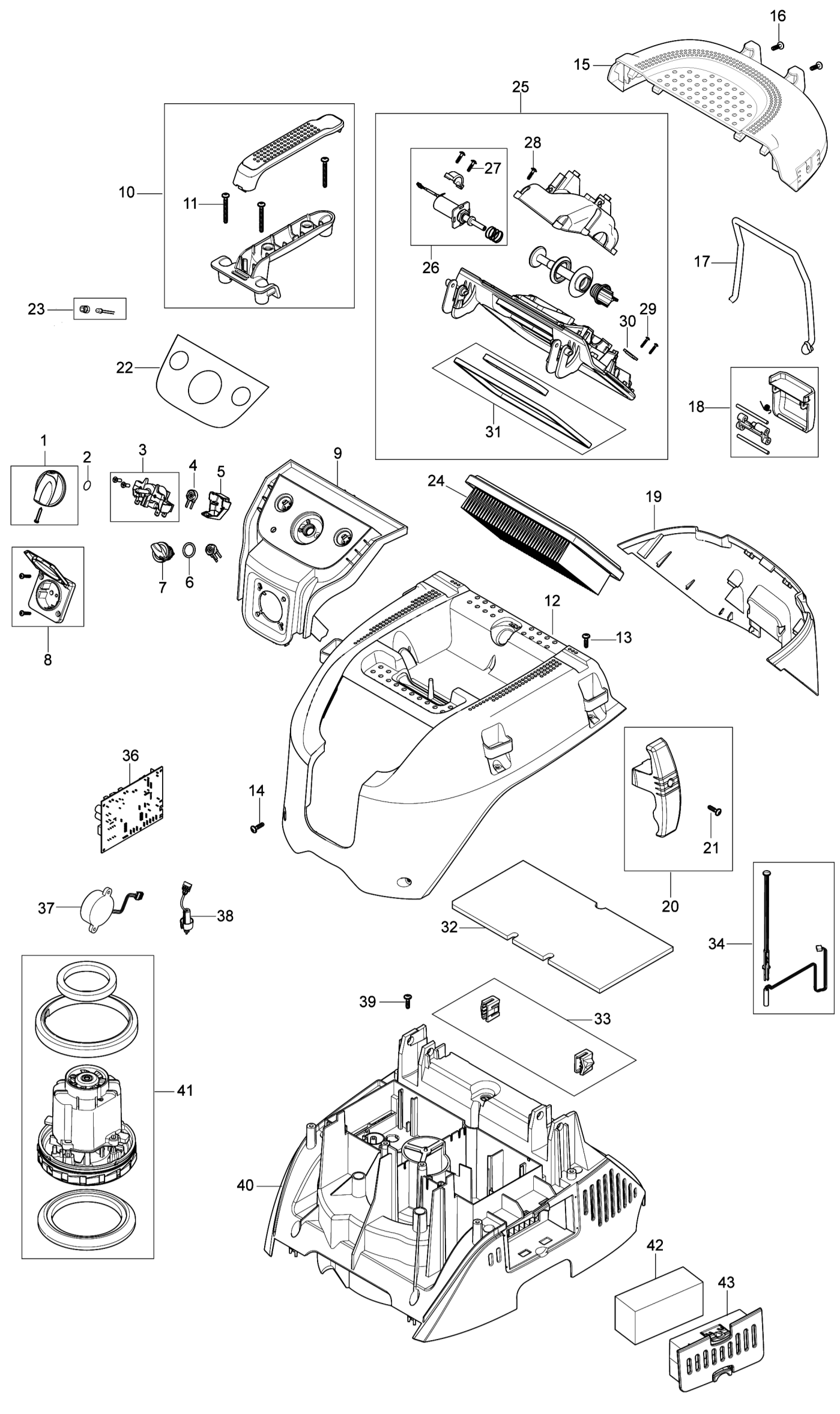
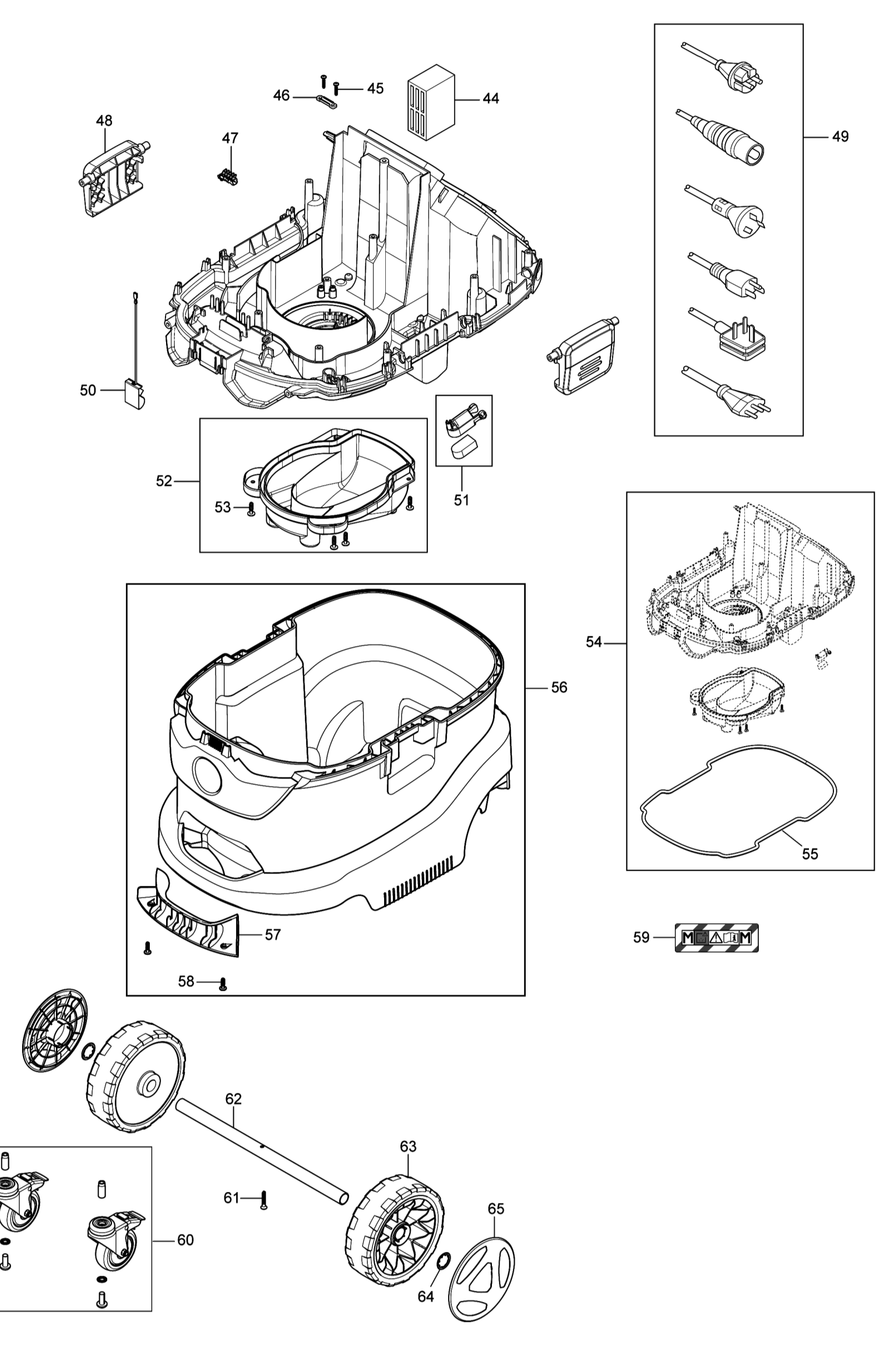


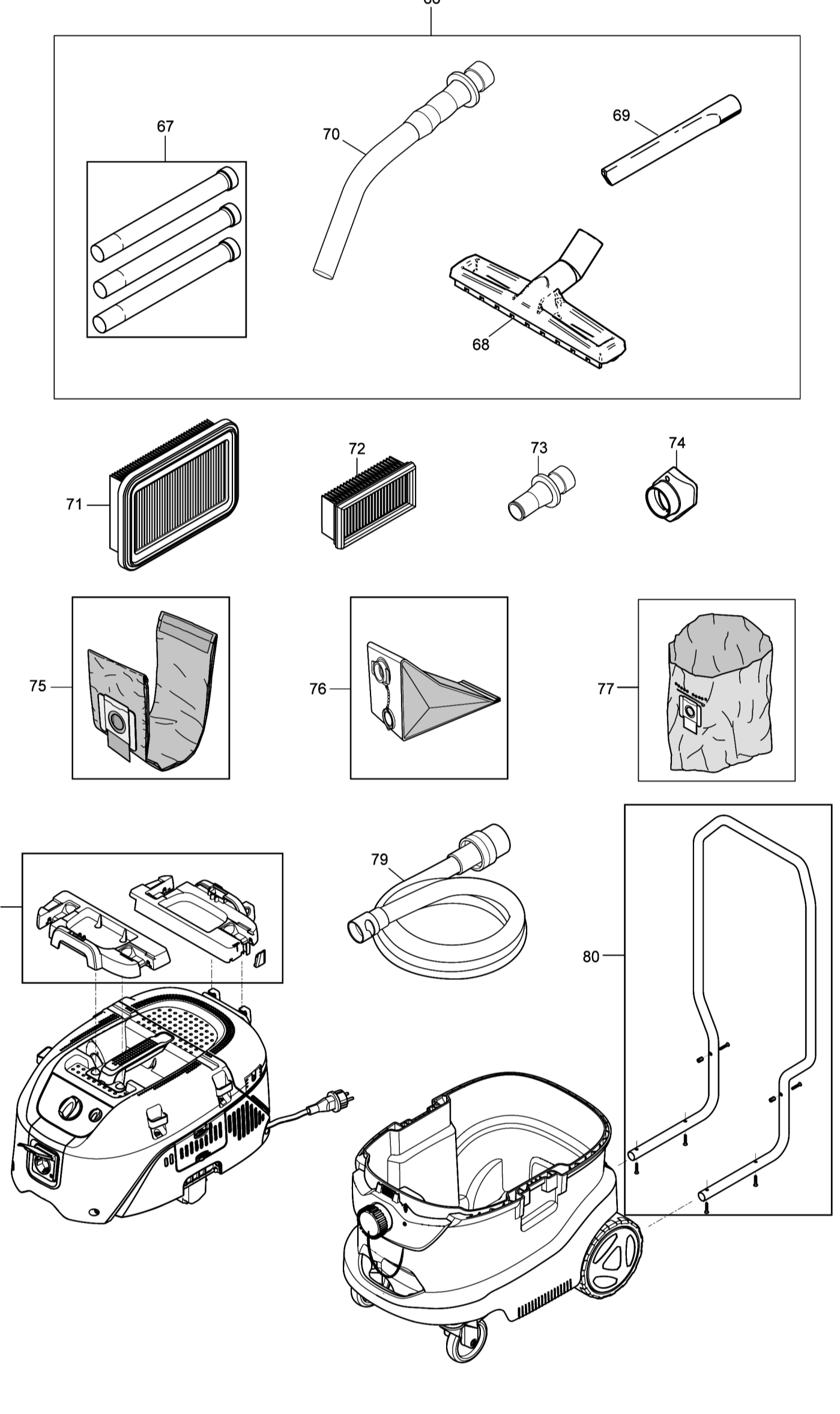
Model No.VC4210M VACUUM CLEANER



Model No.VC4210M VACUUM CLEANER



Model No.VC4210M VACUUM CLEANER



Model No.VC4210M VACUUM CLEANER

Артикул	Детали	Описание	Замена	Количество	New/Old	Продажи	Закупка	Примечание
001	W909100222	SWITCH KNOB MAKITA BLUE		1				
002	W9868	O-RING 10x2.5 NBR70		1				
003	W107415085	ROTARY SWITCH 5POS. 16A		1				
004	W107415024	POTENTIOMETER		3				
005	W107415080	CAP FOR POTENTIOMETER		1				
007	W107416106	SWITCH KNOB		2				
008	W302004034	SOCKET *EU* - CEE7/4		1				
009	W107418671	CONTROL PANEL VC4210M		1				
010	W107418217	HANDLE KIT		1				
D10		INC. 11						
011	W128500203	SCREW K50X45		3				
012	W107418665	MAKITA TOP COVER		1				
013	W302004029	SCREW 5X18 TX20		4				
014	W302004029	SCREW 5X18 TX20		2				
015	W107418666	UPPER COVER		1				
016	W302004029	SCREW 5X18 TX20		2				
017	W107415035	CORD STRAP FOR CABLE		1				
018	W107415032	HATCH DOOR CLAMP		1				
019	W107418667	LOWER COVER		1	*			
019-1	W107415029	LOWER COVER	X	1				
020	W107415083	HOSE/CABLE HOOK		2				
D10		INC. 21						
021	W302004029	SCREW 5X18 TX20		2				
022	W107418672	CONTROL PANEL LABEL VC4210M		1				
023	W107415087	LED AIR CONTROL KIT 2PCS		1				
024	W107413540	MAKITA FLAT FILTER		1				
025	W107415027	FILTER RETAINER ASSY 220-240V INC. 26 28-31		1				
D10		INC. 26 28-31						
026	W107415031	SOLENOID KIT 220-240V		1				
D10		INC. 27						
027	W302004029	SCREW 5X18 TX20		2				
028	W302004029	SCREW 5X18 TX20		7				
029	W302004032	SCREW 3.5X18 TX10		2				
030	W5697	STRAP 3X8X33		1				
031	W107415090	HATCH DOOR FILTER GASKET		1				
032	W107417101	FOAM SEALING 298X148		1				
033	W107415075	HINGE SNAP 2PCS.		1				
034	W107415060	REED SENSOR		1				
036	W107417103	PCBA AUTO ON/OFF 220- 240V		1				
037	W107416958	BUZZER KIT VC4210M		1				
038	W107416952	FLOW SENSOR		1				
039	W302004029	SCREW 5X18 TX20		10				
040	W107418670	AIRGUIDE		1				
041	W107415055	MOTOR 220- 240V		1				
042	W107415096	DIFFUSOR		1				
043	W107418669	AIRGUIDE		1	*			
043-1	W107415052	COVER FOR MOTOR COOLING FILTER	X	1				
044	W107417112	SOUND ABSORBER 83X55X35		1				
045	W302004032	SCREW 3.5X18 TX10		2				
046	W302004030	STRAP FOR CORD		1				
047	W302004031	TERMINAL STRIP 6-POL 16A		1				
048	W107415053	CONTAINER CLAMP		2				
049	W107400573	POWER CORD EU		1				
050	W107417113	CONTACT SPRING W.WIRE		2				
051	W107415063	FLOATER WITH MAGNET		1				
052	W107415061	AIR FLOW COVER KIT		1				
D10		INC. 53						
053	W1814614	PT-SCREW K50X18 T20		4				
054	W107415074	BASE PLATE ASSEMBLY		1				
D10		INC. 55						
055	W107415050	CONTAINER SEALING		1				
056	W107418663	MAKITA CONTAINER 42L		1				
D10		INC. 57.58						
057	W107417124	HANDLE INNER		1				
058	W302004029	SCREW 5X18 TX20		2				
059	W302004201	LABEL >DUST CLASS M<		1				
060	W107417573	CASTOR WHEEL D100 W.BRAKE 2PCS		1				
061	W107417864	SCREW K50X35 T20		1				
062	W302004022	WHEEL AXLE		1				
063	W107417121	WHEEL D175		2				
064	W47302	CLAMPING RING FOR WHEEL		2				
065	W107418043	WHEEL CAP D145		2				
066	W107418349	MAKITA CLEANING SET		1				
D10		INC. 87-70						
067	W107418350	MAKITA EXTENSION TUBES		3				
068	P-81789	FLOOR NOZZLE D36X300 WET/DRY		1				
069	W6084	CREVICE NOZZLE 35x300		1				
070	P-70346	CURVED HAND TUBE INOX		1				
071	W107418351	PTFE FLAT FILTER VC4210L/M		1				
072	W107418352	MOTOR COOLING FILTER PET		1				
073	P-70378	TOOL ADAPTER 27 QUICKSYSTEM		1				
074	W107418358	EXHAUST AIR ADAPTER		1				
075	W107418353	FLEECE FILTER BAGS VC4210L/M		5				
076	W107418354	LONG-LIFE FILTER BAG		1				
077	W107418355	DISPOSAL BAGS		5				
078	W107418357	MAK PAC HOLDER		2				
079	P-70421	ADAPTOR 35/38		1	*			
D10		INC. 082						
079-1	P-84084	SUCTION HOSE 32MM4M BLK AS CPL	X	1				
D10		INC. 082						
080	W107418356	METAL HANDLE		1				
081	W107418688	TOOL ADAPTER 38		1				
082	W107417866	HOSE CONNECTOR CLICK SYSTEM 32		1				
A01	P-70421	ADAPTOR 35/38		1				