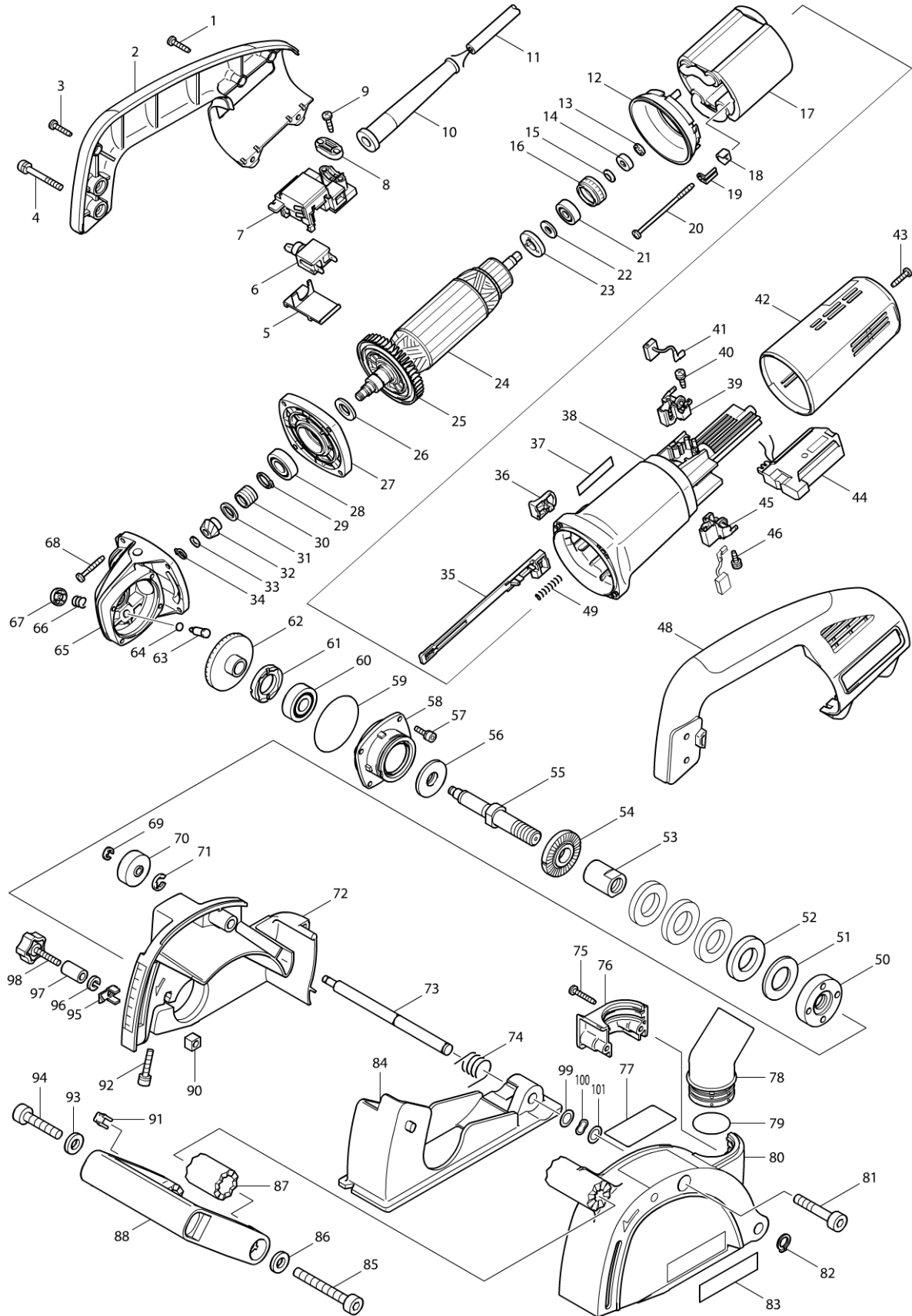


Model No. SG1250 125MM WALL CHASER



Model No. SG1250 125MM WALL CHASER

Item	Parts No.	Description	I/C	Qty	N/O	Opt. 1	Opt. 2	Note
001	265995-6	TAPPING SCREW 4X18		4				
002	183692-1	HANDLE SET		1				
D10		INC. 48						
003	265995-6	TAPPING SCREW 4X18		1				
004	911263-2	PAN HEAD SCREW M5X40		2				
005	687113-0	COVER		1				
006	651418-4	SWITCH ST115A-40		1				
007	632945-0	SWITCH BLOCK		1				
008	687052-4	STRAIN RELIEF		1				
009	265995-6	TAPPING SCREW 4X18		2				
010	682566-8	CORD GUARD 10		1				
011	665883-1	POWER SUPPLY CORD 1.0-2-5.0		1				
012	413076-2	BAFFLE PLATE		1				
013	259039-2	SELF LOCK 6		1				
014	688117-5	MAGNET SLEEVE		1				
015	267756-0	WAVE WASHER 6		1				
016	421738-8	LABYRINTH RUBBER RING 22		1				
017	626503-2	FIELD 220-240V		1				
018	417237-6	INSULATION COVER		2				
019	344871-8	RETAINER		2				
020	266258-3	TAPPING SCREW 4X70		2				
021	210027-4	BALL BEARING 627DDW		1				
022	253823-7	FLAT WASHER 7		1				
023	681656-4	INSULATION WASHER		1				
024	515208-8	ARMATURE ASS'Y 220-240V		1				
D10		INC. 21-23,25						
025	240033-5	FAN 57		1				
026	253084-9	FLAT WASHER 12		1				
027	317359-1	GEAR HOUSING COVER		1				
028	211142-7	BALL BEARING 6001LLB		1				
029	961052-5	RETAINING RING S-12		1				
030	233901-9	LOCK SPRING 12		1				
031	253052-2	FLAT WASHER 12		1				
032	227429-7	SPIRAL BEVEL GEAR 9		1				
033	253077-6	FLAT WASHER 6		1				
034	961002-0	RETAINING RING S-6		1				
035	417186-7	SWITCH LEVER		1				
036	417813-6	SWITCH KNOB		1				
037	819080-3	MAKITA LABEL		1	*			
037-1	819080-3	MAKITA LABEL		1				
038	183740-6	MOTOR HOUSING		1	*			
D10		INC. 37			*			
038-1	418512-3	MOTOR HOUSING	<	1	*			
038-2	183740-6	MOTOR HOUSING	<	1				
D10		INC. 37						
039	643760-7	BRUSH HOLDER		1				
040	266256-7	TAPPING SCREW PT3X10		2				
041	191978-9	A.C. CARBON BRUSH CB-318		1				

Model No. SG1250 125MM WALL CHASER

Item	Parts No.	Description	I/C	Qty	N/O	Opt. 1	Opt. 2	Note
042	417183-3	REAR COVER		1				
043	265995-6	TAPPING SCREW 4X18		1				
044	631492-8	CONTROLLER		1				
045	643760-7	BRUSH HOLDER		1				
046	266256-7	TAPPING SCREW PT3X10		2				
048	183692-1	HANDLE SET		1				
D10		INC. 2						
049	233071-4	COMPRESSION SPRING 4		1				
050	224577-3	LOCK NUT 14-45		1				
051	331661-8	SPACER 3		1				
052	331662-6	SPACER 6		4				
053	257732-2	SLEEVE 14		1				
054	224298-7	INNER FLANGE 42		1	*			
054-1	224415-9	INNER FLANGE 42	<	1				
055	324393-4	SPINDLE		1				
056	415300-9	LABYRINTH RING		1				
057	265490-6	HEX. SOCKET HEAD BOLT M4X16		4				
058	317570-5	BEARING BOX		1	*			
058-1	318302-3	BEARING BOX	<	1				
059	213673-2	O RING 52		1				
060	211129-9	BALL BEARING 6201DDW		1				
061	285841-7	BEARING RETAINER		1				
062	227430-2	SPIRAL BEVEL GEAR 35		1				
063	256459-1	PIN		1				
064	213048-5	O RING 6		1				
065	153381-2	GEAR HOUSING COMPLETE		1	*			
065-1	153718-3	GEAR HOUSING COMPLETE	O	1	*			
065-2	153488-4	GEAR HOUSING COMPLETE	S	1				
066	233072-2	COMPRESSION SPRING 8		1				
067	417236-8	PIN CAP		1	*			
067-1	418067-8	PIN CAP	S	1				
068	266257-5	TAPPING SCREW 4X28		4				
069	961011-9	STOP RING E-4		1				
070	257227-5	RING 6		1				
071	961014-3	STOP RING E-8		1				
072	153685-2	BLADE CASE COMPLETE		1				
C10	816397-5	SCALE LABEL		1				
073	324392-6	SHOULDER SHAFT		1				
074	231655-2	TORSION SPRING 11		1				
075	266040-0	TAPPING SCREW CT 4X25		2				
076	418390-1	DUST COVER		1				
077	850945-0	NAME PLATE SG1250		1				
078	416741-2	ELBOW		1				
079	213423-5	O RING 30		1				
080	183718-9	COVER		1				
D10		INC. 83						
081	922466-3	HEX.SOCKET HEAD BOLT M8X45		1				
082	961006-2	RETAINING RING S-10		1				

Please order the parts with a part number.

Print Date 16/03/2015

