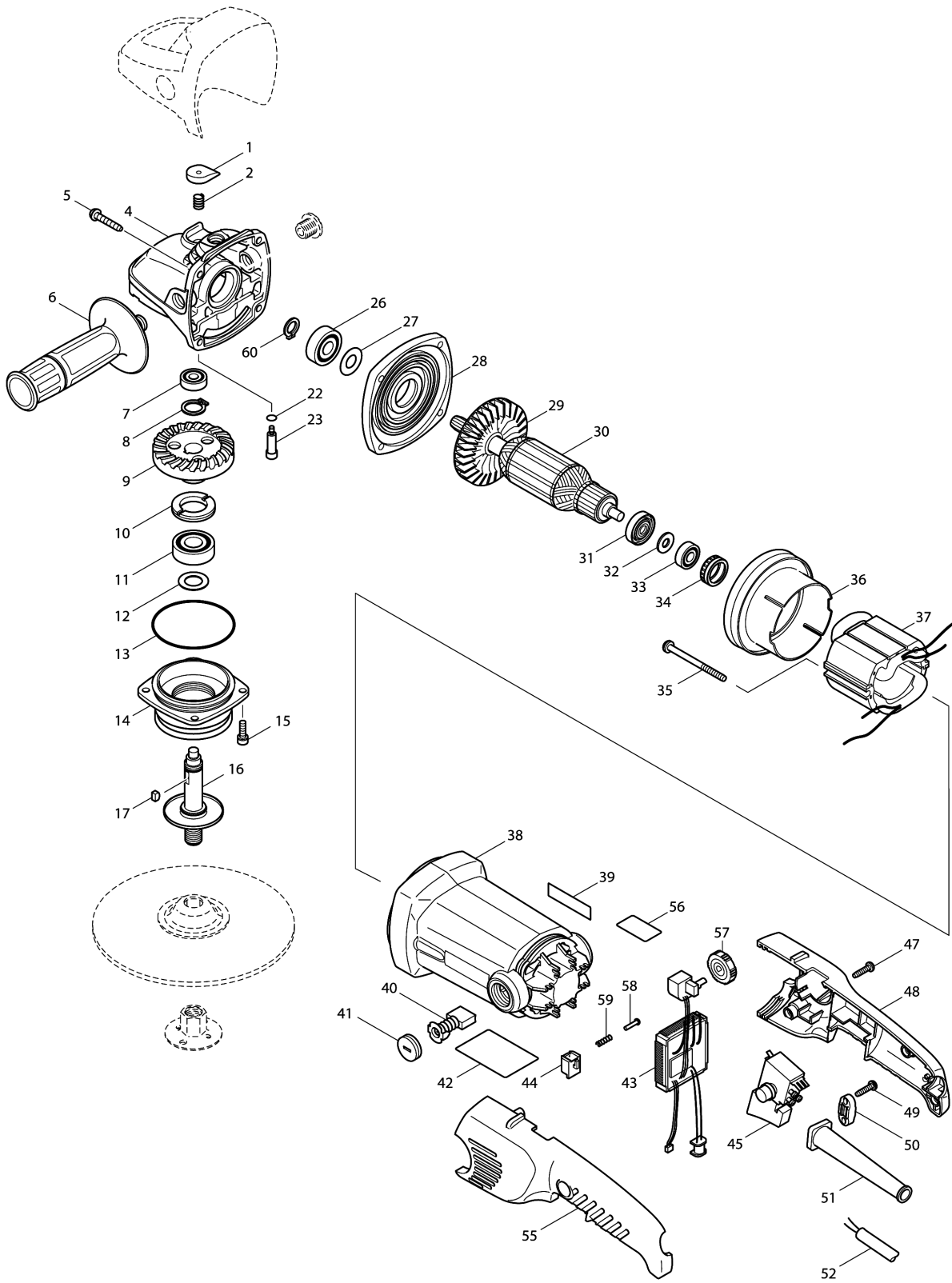


Model No.SA7000C ANGLE SANDER 180MM



Model No.SA7000C ANGLE SANDER 180MM

Item	Parts No.	Description	I/C	Qty	New/Old	Opt. 1	Opt. 2	Note
001	418517-3	PIN CAP		1				
002	231037-8	COMPRESSION SPRING 7		1				
004	317752-9	GEAR HOUSING		1	*			
004-1	318817-0	GEAR HOUSING	O	1				
005	266173-1	TAPPING SCREW 5X30		4				
006	152539-0	GRIP 36 COMPLETE		1				
007	211031-6	BALL BEARING 608LLB		1	*			
007-1	210043-6	BALL BEARING 608LLB	O	1				
008	961055-9	RETAINING RING S-15		1				
009	227460-3	SPIRAL BEVEL GEAR 43		1				
010	285809-3	BEARING RETAINER 23-36		1				
011	211228-7	BALL BEARING 6202DDW		1				
012	267215-4	FLAT WASHER 15		1				
013	213720-9	O RING 67		1				
014	317754-5	BEARING BOX		1				
015	922221-3	HEX. SOCKET HEAD BOLT M5X16		4				
016	153785-8	SPINDLE COMPLETE		1				
017	254011-9	WOODRUFF KEY 4		1				
022	213026-5	O RING 7		1				
023	256483-4	SHOULDER PIN 7		1				
026	211106-1	BALL BEARING 6201LLB		1				
027	253759-0	FLAT WASHER 12		1				
028	317753-7	GEAR HOUSING COVER		1				
029	240070-9	FAN 76		1				
030	513574-7	ARMATURE ASS'Y 220-240V		1				
D10		INC. 29,31-33						
031	681660-3	INSULATION WASHER		1				
032	267281-1	FLAT WASHER 8		1				
033	210005-4	BALL BEARING 608DDW		1				
034	421720-7	RUBBER RING 22		1				
035	266029-8	TAPPING SCREW 5X65		2				
036	418528-8	BUFFLE PLATE		1				
037	625708-1	FIELD 220-240V		1	*			
037-1	625708-1	FIELD 220-240V	O	1				
038	183778-1	MOTOR HOUSING		1	*			
C10	643712-8	BRUSH HOLDER		2	*			
D10		INC. 39			*			
038-1	153786-6	MOTOR HOUSING COMPLETE	<	1				
C10	643712-8	BRUSH HOLDER		2				
039	819063-3	MAKITA LABEL		2	*			
040	191957-7	A.C. CARBON BRUSH CB-204		1				
041	643700-5	BRUSH HOLDER CAP 7-18		2				

Please order the parts with part number.

Print Date 31/3/2020

Model No.SA7000C ANGLE SANDER 180MM

Item	Parts No.	Description	I/C	Qty	New/Old	Opt. 1	Opt. 2	Note
042	860298-9	NAME PLATE SA7000C		1				
043	631600-1	CONTROLLER		1				
044	418518-1	SLEEVE		1				
045	650213-9	SWITCH TG71ARS		1				
047	265995-6	TAPPING SCREW 4X18		4				
048	183784-6	HANDLE SET		1	*			
D10		INC. 55			*			
048-1	183784-6	HANDLE SET	O	1				
D10		INC. 55						
049	265995-6	TAPPING SCREW 4X18		2				
050	687052-4	STRAIN RELIEF		1	*			
050-1	687124-5	STRAIN RELIEF	O	1				
051	682573-1	CORD GUARD 10		1				
052	665865-3	POWER SUPPLY CORD 1.0-2-2.5		1				
055	183784-6	HANDLE SET		1	*			
D10		INC. 48			*			
055-1	183784-6	HANDLE SET	O	1				
D10		INC. 48						
056	816814-5	INDICATION LABEL		1				
057	271420-7	DIAL 28		1				
058	255058-6	RIVET 2		1				
059	233002-3	COMPRESSION SPRING 3		1				
060	961052-5	RETAINING RING S-12		1				
A01	224515-5	SANDING LOCK NUT 14-48		1				
A02	265136-4	+ ROUND HEAD SCREW M14X10		2				
A03	418529-6	HEAD COVER		1				
A04	743012-7	RUBBER PAD 170		1				
A05	782407-9	LOCK NUT WRENCH 35		1	*			
A05-1	782034-2	LOCK NUT WRENCH 35	O	1				

Please order the parts with part number.

Print Date 31/3/2020