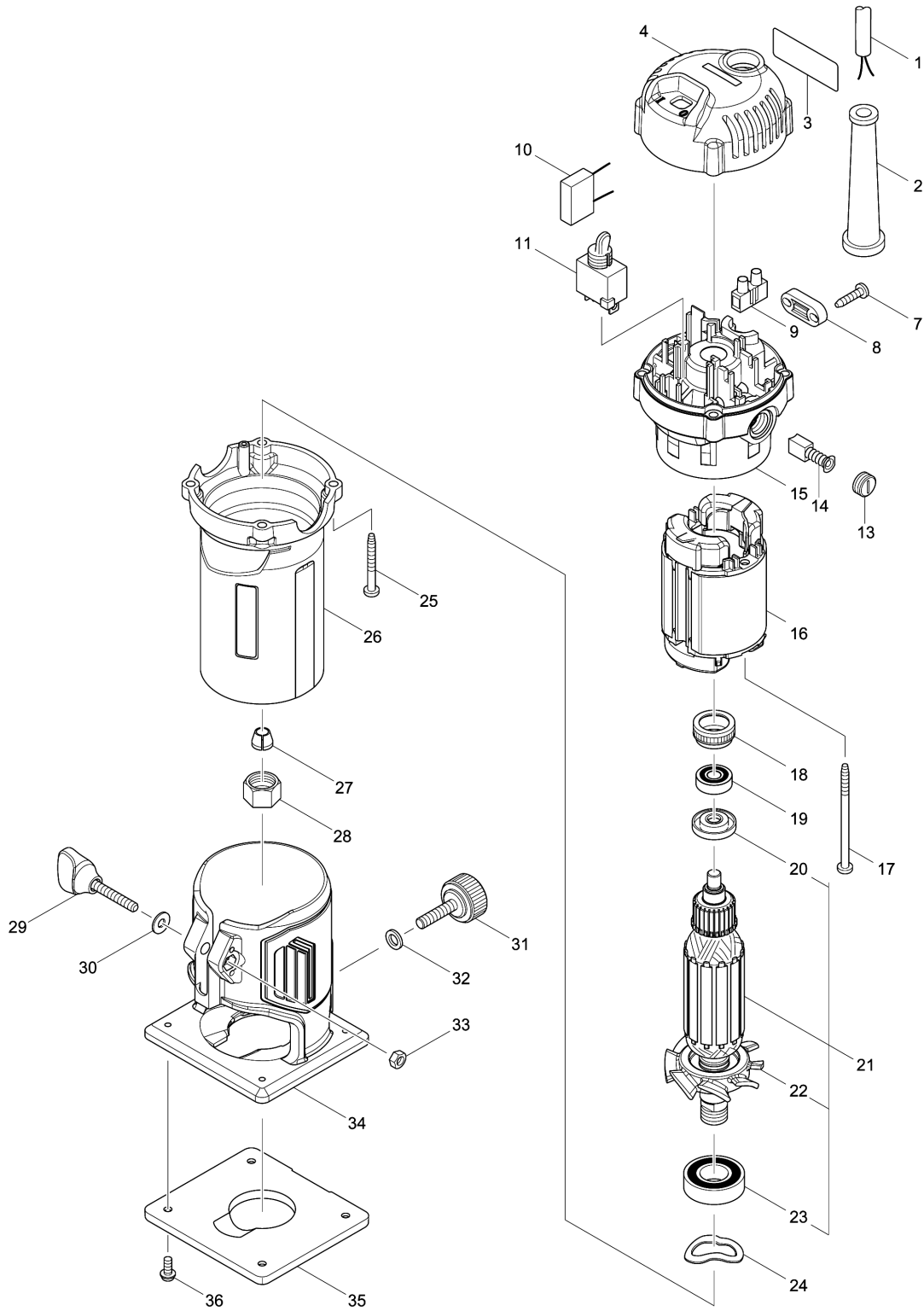


Model No.M3700 TRIMMER



Model No.M3700 TRIMMER

Item	Parts No.	Description	I/C	Qty	New/Old	Opt. 1	Opt. 2	Note
001	665383-1	POWER SUPPLY CORD 1.0-2-2.0		1	*			
001-1	695556-2	POWER SUPPLY CORD 1.0-2-2.0	O	1	*			
001-2	665383-1	POWER SUPPLY CORD 1.0-2-2.0	O	1				
002	682569-2	CORD GUARD 8-85		1				
003	852B29-2	M3700 NAME PLATE		1				
004	450665-2	TOP COVER		1				
005	646358-9	LINE COIL		1				
007	266326-2	TAPPING SCREW 4X18		2				
008	687124-5	STRAIN RELIEF		1				
009	654532-5	TERMINAL BLOCK 1P		1				
010	645240-9	NOISE SUPPRESSOR		1				
011	651424-9	SWITCH STL106AT		1				
013	643987-9	BRUSH HOLDER CAP 5-8		2				
014	191940-4	CARBON BRUSH CB-411		1				
015	141775-3	BRACKET COMPLETE		1	*			
C10	643858-0	BRUSH HOLDER 6X9		2	*			
C11	643509-5	BRUSH HOLDER 6X9	O	2	*			
C12	643858-0	BRUSH HOLDER 6X9	<	2	*			
015-1	140L26-3	BRACKET COMPLETE	<	1				
C12	643858-0	BRUSH HOLDER 6X9	<	2				
016	593594-7	FIELD ASS'Y 240V		1	*			
C10	654221-2	RING TERMINAL		2	*			
C11	654450-7	RING TERMINAL	O	2	*			
C20	654501-6	CONNECTOR P-1.25		2	*			
C21	654485-8	PARALLEL SPLICE	>	2	*			
016-1	593974-7	FIELD ASSY 240V	O	1				
C11	654450-7	RING TERMINAL	O	2				
C21	654485-8	PARALLEL SPLICE	>	2				
017	266340-8	TAPPING SCREW 4X65		2				
018	421868-5	LABYRINTH RUBBER RING 19		1				
019	210062-2	BALL BEARING 607ZZ		1				
020	681668-7	INSULATION WASHER		1				
021	510227-9	ARMATURE ASS'Y 240V		1				
D10		INC. 19,20,22,23						
022	241667-7	FAN 52		1				
023	211247-3	BALL BEARING 6002DDW		1				
024	267785-3	WAVE WASHER 23		1				
025	266351-3	TAPPING SCREW 4X35		4				
026	143578-1	MOTOR HOUSING COMPLETE		1				
027	763662-2	COLLET CONE 6		1				
028	763661-4	COLLET NUT 6		1				

Please order the parts with part number.

Print Date 31/3/2020

Model No.M3700 TRIMMER

Item	Parts No.	Description	I/C	Qty	New/Old	Opt. 1	Opt. 2	Note
029	265762-9	THUMB SCREW M5X30		1	*			
029-1	251867-1	THUMB SCREW M5X30	<	1				
030	941101-4	FLAT WASHER 5		1				
031	265763-7	THUMB SCREW M6X25		1				
032	941151-9	FLAT WASHER 6		1				
033	931202-6	HEX. NUT M5		1	*			
033-1	252156-7	HEX. NUT M5-8	<	1				
034	454022-6	BASE		1				
035	410585-2	BASE PROTECTOR		1				
036	265142-9	+ PAN HEAD SCREW M4X10		4				
A01	122703-7	TRIMMER GUIDE ASS'Y		1				
C10	251471-6	- FLAT HEAD SCREW M5		1				
C20	265135-6	+ COUNTERSUNK HEAD SCREW M4X10		1				
C30	265763-7	THUMB SCREW M6X25		1				
C40	265764-5	THUMB SCREW M6		1				
C50	317788-8	GUIDE HOLDER		1				
C60	324378-0	ROLLER 11		1				
C70	341136-9	HOOK		1				
C80	941151-9	FLAT WASHER 6		1				
A02	122704-5	STRAIGHT GUIDE ASS'Y		1				
C10	252649-4	THUMB NUT M6		1				
C20	266339-3	CAP SQUARE NECK BOLT M6X20		1				
C30	343593-7	GUIDE PLATE		1				
A03	343577-5	TEMPLET GUIDE 10		1				
A04	781036-5	WRENCH 10		1				
A05	781037-3	WRENCH 17		1				
A06	418647-0	CHIP DEFLECTOR		1				
A07	733239-7	STRAIGHT BIT 6		1				

Please order the parts with part number.

Print Date 31/3/2020