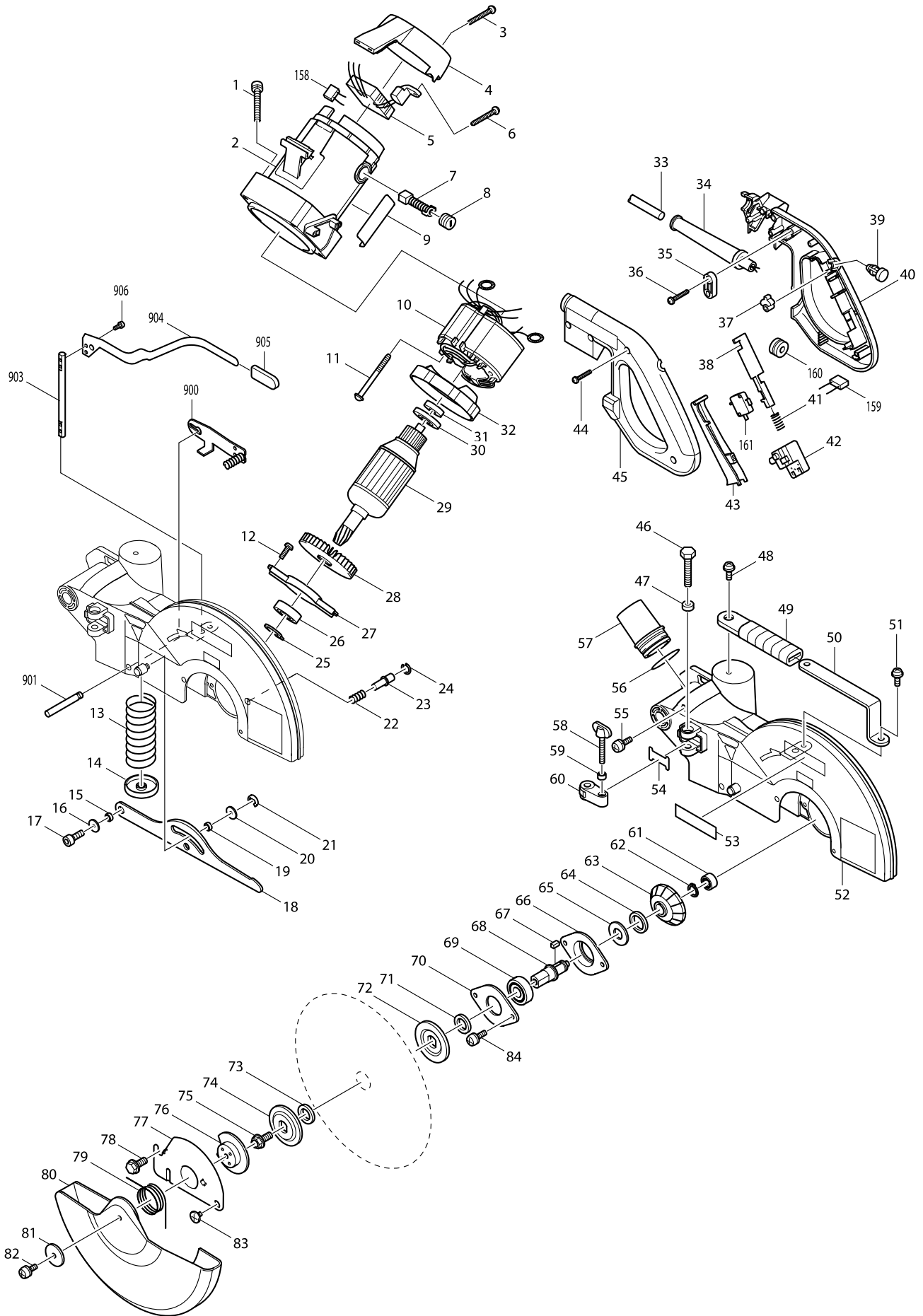
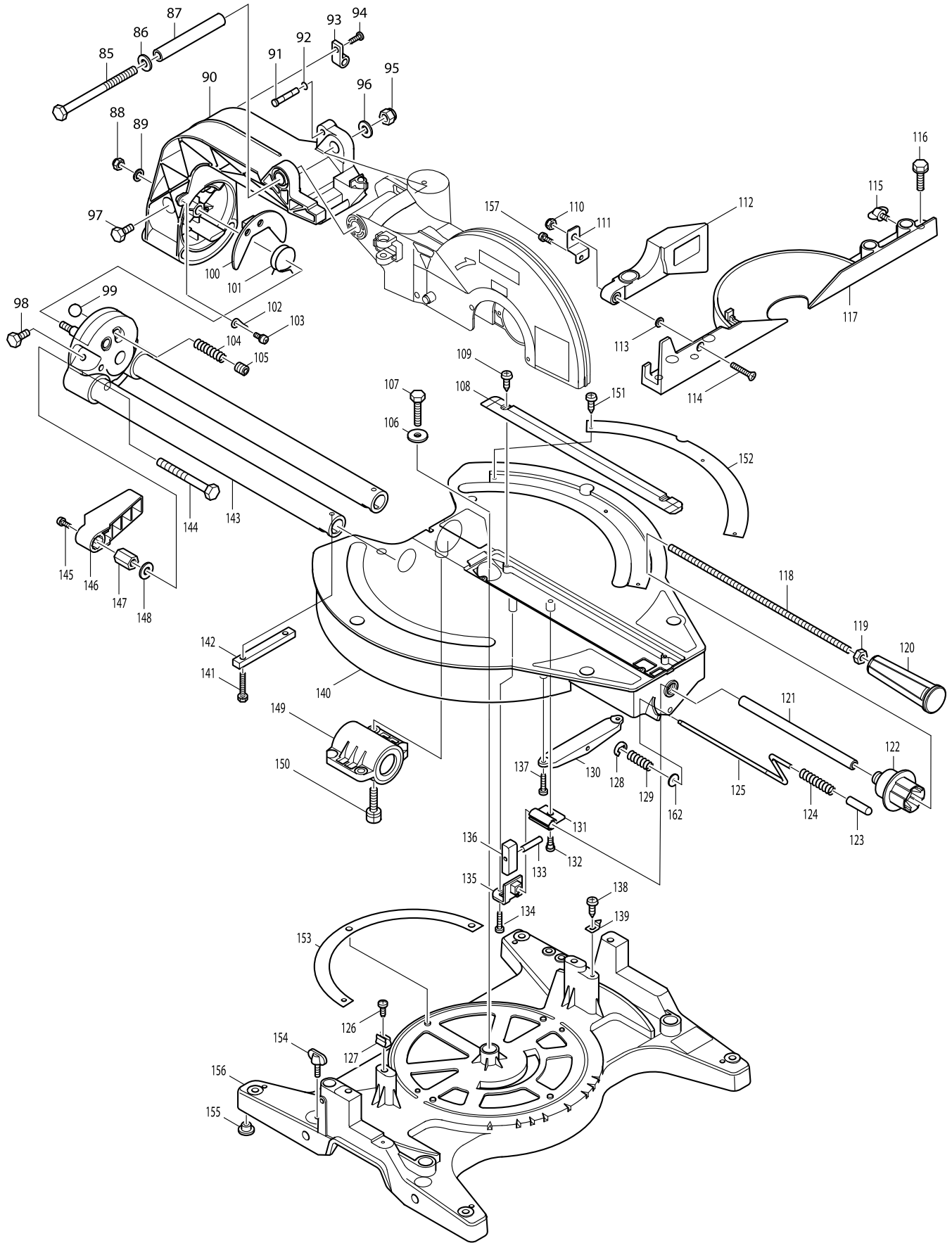


Model No. LS1013 SLIDE COMPOUND SAW 255MM



Model No. LS1013 SLIDE COMPOUND SAW 255MM



Model No. LS1013 SLIDE COMPOUND SAW 255MM

Item	Parts No.	Description	I/C	Qty	N/O	Opt. 1	Opt. 2	Note
001	911373-5	PAN HEAD SCREW M6X50		4				
002A_	159963-8	MOTOR HOUSING COMPLETE		1	*			
C10	643660-1	BRUSH HOLDER 6.5-13.5		2	*			
C20	817881-3	CAUTION LABEL		1	*			
002A1	154568-9	MOTOR HOUSING COMPLETE	<	1				
C10	643660-1	BRUSH HOLDER 6.5-13.5		2				
C20	817320-3	CAUTION LABEL		1				
003	265995-6	TAPPING SCREW 4X18		2				
004	416075-3	REAR COVER		1				
005	631219-6	CONTROLLER		1				
006	265995-6	TAPPING SCREW 4X18		1				
007	181044-0	CARBON BRUSH CB-153		1				
008	643650-4	BRUSH HOLDER CAP 6.5-13.5		2	*			
008-1	643650-4	BRUSH HOLDER CAP 6.5-13.5	O	2				
009	858580-8	NAME PLATE LS1013		1				
010F_	599506-8	FIELD ASS'Y 220V		1				
C10	654020-2	RING TERMINAL		2				
C20	654502-4	CONNECTOR P-2		2				
011	266029-8	TAPPING SCREW 5X65		2				
012	911223-4	PAN HEAD SCREW M5X16		2				
013	233165-5	COMPRESSION SPRING 28		1				
014	344464-1	SPRING HOLDER		1				
015	257163-5	RING 6		1				
016	253804-1	FLAT WASHER 6		1				
017	922331-6	HEX. SOCKET HEAD BOLT M6X20		1				
018	344415-4	LINK PLATE		1				
019	257163-5	RING 6		1				
020	253804-1	FLAT WASHER 6		1				
021	961018-5	STOP RING E-5		1				
022	231240-1	COMPRESSION SPRING 7		1				
023	256633-1	PIN 6		1				
024	231928-3	RING SPRING 8		1				
025	961057-5	RETAINING RING S-17		1				
026	211275-8	BALL BEARING 6003DDW		1				
027	285686-3	BEARING RETAINER 94		1				
028	240001-8	FAN 80		1				
029C_	516723-5	ARMATURE ASS'Y 220V		1				
D10		INC. 28,30,31						
030	681642-5	INSULATION WASHER		1				
031	211061-7	BALL BEARING 6000LLB		1				
032	416107-6	BAFFLE PLATE		1				
033E_	665865-3	POWER SUPPLY CORD 1.0-2-2.5		1				
034A_	682540-6	CORD GUARD 9.3-90		1				
035B_	687063-9	CORD CLAMP		1	*			
035B1	687052-4	STRAIN RELIEF	X	1				
036	265995-6	TAPPING SCREW 4X18		2				
037	414546-4	CAM		1				
038	416000-4	LOCK OFF LEVER		1				

Item	Parts No.	Description	I/C	Qty	N/O	Opt. 1	Opt. 2	Note
039	411478-6	SWITCH BUTTON		1				
040A_	182911-2	HANDLE SET		1	*			
C10	810642-0	CAUTION LABEL		1	*			
D10		INC. 45			*			
040A1	183840-2	HANDLE SET	<	1				
C10	810966-4	CAUTION LABEL		1				
D10		INC. 45						
041	231457-6	COMPRESSION SPRING 3		1				
042	651923-1	SWITCH TG70B		1				
043	415999-0	SWITCH LEVER		1				
044	265995-6	TAPPING SCREW 4X18		6	*			
044-1	265995-6	TAPPING SCREW 4X18	S	4				
045A_	182911-2	HANDLE SET		1	*			
C10	810642-0	CAUTION LABEL		1	*			
D10		INC. 40			*			
045A1	183840-2	HANDLE SET	<	1				
C10	810966-4	CAUTION LABEL		1				
D10		INC. 40						
046	921467-8	HEX. BOLT M8X45		1				
047	262003-4	RUBBER RING 6		1				
048	911323-0	PAN HEAD SCREW M6X16		1				
049	421562-9	GRIP		1				
050	344420-1	GRIP HOLDER		1				
051	911323-0	PAN HEAD SCREW M6X16		1				
052A_	151470-7	BLADE CASE COMPLETE		1	*			
C10	263005-3	RUBBER PIN 6		1	*			
C20	817667-5	CAUTION LABEL		1	*			
C30	817874-0	CAUTION LABEL		1	*			
052A1	151470-7	BLADE CASE COMPLETE	<	1	*			
C10	263005-3	RUBBER PIN 6		1	*			
C20	817667-5	CAUTION LABEL		1	*			
C30	817874-0	CAUTION LABEL		1	*			
052A2	154566-3	BLADE CASE COMPLETE	<	1	*			
C10	263005-3	RUBBER PIN 6		1	*			
C20	817667-5	CAUTION LABEL		1	*			
C30	810968-0	CAUTION LABEL		1	*			
052A3	154827-1	BLADE CASE COMPLETE	S	1	*			
C10	263005-3	RUBBER PIN 6		1	*			
C20	817667-5	CAUTION LABEL		1	*			
C30	810968-0	CAUTION LABEL		1	*			
052A4	188386-3	BLADE CASE SET	<	1				
C10	263005-3	RUBBER PIN 6		1				
C20	816847-0	OPERATIONAL INDICATION LABEL		1				
C30	810968-0	CAUTION LABEL		1				
D10		INC. 53						
053	819064-1	MAKITA MARK		1	*			
053-1	819214-8	MAKITA LOGO LABEL	X	1				
054	344045-1	STOPPER ARM PLATE		1				

Model No. LS1013 SLIDE COMPOUND SAW 255MM

Item	Parts No.	Description	I/C	Qty	N/O	Opt. 1	Opt. 2	Note
055	911113-1	PAN HEAD SCREW M4X10 WITH WR		1				
056	213460-9	O RING 35		1				
057	416133-5	DUST NOZZLE		1	*			
057-1	419277-0	DUST NOZZLE	O	1				
058	265717-4	SCREW M6X43		1				
059	262001-8	URETHANE RING 5		1				
060	316471-4	STOPPER ARM		1	*			
060-1	317176-9	STOPPER ARM	O	1				
061	211021-9	BALL BEARING 607LLB		1				
062	961054-1	RETAINING RING S-14		1				
063	226742-0	SPIRAL BEVEL GEAR 33		1				
064	262074-1	RUBBER RING 20		1				
065	267035-6	FLAT WASHER 14		1				
066	316836-0	BEARING BOX (A)		1				
067	254202-2	KEY 4		1				
068	322899-6	SPINDLE		1				
069	211275-8	BALL BEARING 6003DDW		1				
070	285828-9	BEARING RETAINER 66		1				
071	257022-3	RING 16		1				
072	224333-1	FLANGE 53		1				
073A_	257137-6	RING 16		1	*			
073A1	257262-3	RING 16	O	1				
074	224333-1	FLANGE 53		1				
075	265355-2	HEX. FLANGE HEAD BOLT M8X20		1				
076	343639-9	CENTER PLATE		1				
077	344380-7	CENTER COVER		1	*			
077-1	345226-0	CENTER COVER	<	1				
078	265324-3	HEX. FLANGE HEAD BOLT M8X12		1				
079	231593-8	TORSION SPRING 36		1				
080	416105-0	SAFETY COVER		1	*			
080-1	450047-8	SAFETY COVER	<	1				
081	267136-0	FLAT WASHER 5		1				
082	911213-7	PAN HEAD SCREW M5X12		1				
083	265008-3	+ FLAT HEAD SCREW M5		1				
084	911223-4	PAN HEAD SCREW M5X16		2				
085	265406-1	HEX. BOLT M10X130		1	*			
086	253024-7	FLAT WASHER 10		1	*			
087	331428-4	PIN 16-113		1	*			
087-1	331428-4	PIN 16-113	O	1				
088	252105-4	HEX. LOCK NUT M8-13		1				
089	941201-0	FLAT WASHER 8		1				
090	316839-4	ARM		1	*			
090-1	317983-0	ARM	<	1				
091	322317-4	STOPPER PIN		1	*			
091-1	324183-5	STOPPER PIN	S	1				
092	213021-5	O RING 5		1				
093	687042-7	STRAIN RELIEF		1				
094	266026-4	TAPPING SCREW BIND CT 4X12		1				

Item	Parts No.	Description	I/C	Qty	N/O	Opt. 1	Opt. 2	Note
095	252130-5	HEX. LOCK NUT M10-17		1	*			
096	253024-7	FLAT WASHER 10		1	*			
097-1	265455-8	HEX. BOLT M8X28		2				
098	265412-6	HEX. BOLT M8X20		2				
099	216003-6	STEEL BALL 10		2				
100	344414-6	GUIDE PLATE		1	*			
100-1	345418-1	GUIDE PLATE	<	1				
101	231626-9	TORSION SPRING 28		1				
102	413067-3	INDICATION PLATE		2				
103	911114-9	PAN HEAD SCREW M4X10		2				
104	233168-9	COMPRESSION SPRING 5		2				
105	266131-7	H.S.SET SCREW(FLATPOINT)M12X12		2				
106	253852-0	FLAT WASHER 8		1				
107	265442-7	HEX. BOLT M8X40		1				
108	415209-5	KERF BOARD		2				
109	266026-4	TAPPING SCREW BIND CT 4X12		4				
110	252014-7	HEX. LOCK NUT M6-10		1				
111	344463-3	SUB FENCE PLATE		1				
112A_	150711-8	SUB FENCE COMPLETE		1	*			
C10	810858-7	CAUTION LABEL		1	*			
112A1	154564-7	SUB FENCE COMPLETE	<	1				
C10	810967-2	CAUTION LABEL		1				
113	253715-0	FLAT WASHER 6		1				
114	912357-6	COUNTERSUNK HEAD SCREW M6X35		1				
115	251887-5	SCREW M6X10		1				
116	921451-3	HEX. BOLT M8X30		4	*			
116-1	265488-3	HEX. BOLT M8X30	O	4				
117	316840-9	GUIDE RULE		1	*			
117-1	316840-9	GUIDE RULE	O	1				
118	266132-5	SCREW M8X320		1				
119	931402-8	HEX. NUT M8		1				
120	273444-9	GRIP 37		1	*			
120-1	271314-6	GRIP 40	O	1				
121	331491-7	PIN 9-200		1	*			
121-1	331491-7	PIN 9-200	O	1				
122	152541-3	KNOB 48 COMPLETE		1				
123	421563-7	CAP 10		1				
124	322924-3	COIL SPRING		1				
125	322909-9	LOCK PIN		1				
126	266034-5	TAPPING SCREW CT 4X16		1				
127	232075-3	LEAF SPRING		1				
128	961018-5	STOP RING E-5		1				
129	231307-5	COMPRESSION SPRING 6		1				
130	316899-6	PIN HOLDER		1				
131	344411-2	SLIDE STOPPER		1				
132	251267-5	+ PAN HEAD SCREW M6		1				
133	256196-7	PIN 5		1				
134	266034-5	TAPPING SCREW CT 4X16		1				

Item	Parts No.	Description	I/C	Qty	N/O	Opt. 1	Opt. 2	Note
135	344412-0	STOPPER HOLDER		1				
136	331493-3	TURN STOPPER		1				
137	266034-5	TAPPING SCREW CT 4X16		2				
138	266026-4	TAPPING SCREW BIND CT 4X12		1				
139	816128-2	POINTER		1				
140	151468-4	TURN BASE COMPLETE		1	*			
C10	211444-1	LINEAR BALL BEARING 3064		1	*			
C20	219002-7	BEARING 30		1	*			
C30	262048-2	FELT RING 30		2	*			
C40	263005-3	RUBBER PIN 6		1	*			
C50	343676-3	CAP		1	*			
C60	817283-3	CAUTION LABEL		2	*			
140-1	151468-4	TURN BASE COMPLETE	O	1	*			
C10	211444-1	LINEAR BALL BEARING 3064		1	*			
C20	211439-4	LINEAR BALL BEARING 3050		1	*			
C30	262048-2	FELT RING 30		1	*			
C40	263005-3	RUBBER PIN 6		1	*			
C50	343676-3	CAP		1	*			
C60	817283-3	CAUTION LABEL		2	*			
C70	262076-7	FELT RING 30		1	*			
140-2	153832-5	TURN BASE COMPLETE	O	1				
C10	211444-1	LINEAR BALL BEARING 3064		1				
C20	219002-7	BEARING 30		1				
C30	262048-2	FELT RING 30		2				
C40	263005-3	RUBBER PIN 6		1				
C50	343676-3	CAP		1				
C60	817283-3	CAUTION LABEL		2				
141	921356-7	HEX. BOLT M6X35		2				
142	152542-1	SQUARE ROD COMPLETE		1				
C10	263005-3	RUBBER PIN 6		1				
143	151459-5	ARM HOLDER COMPLETE		1				
C10	816313-7	BEVEL SCALE LABEL		1	*			
C11	816771-7	BEVEL SCALE LABEL	<	1				
144	251668-7	HEX. BOLT M10X90		1				
145	911113-1	PAN HEAD SCREW M4X10 WITH WR		1				
146	416006-2	LEVER 100		1				
147	252144-4	HEX. NUT M10-17		1				
148	253024-7	FLAT WASHER 10		1				
149	152540-5	BEARING BOX B COMPLETE		1				
C10	211444-1	LINEAR BALL BEARING 3064		1				
C20	262048-2	FELT RING 30		2				
C30	343676-3	CAP		2				
C40	316837-8	BEARING BOX (B)		1				
150	922451-6	HEX. SOCKET HEAD BOLT M8X30		2				
151	266026-4	TAPPING SCREW BIND CT 4X12		2				
152	816326-8	MITER SCALE PLATE		1				
153	344477-2	SLIDE PLATE		2				
154	251887-5	SCREW M6X10		2				

Model No. LS1013 SLIDE COMPOUND SAW 255MM

Item	Parts No.	Description	I/C	Qty	N/O	Opt. 1	Opt. 2	Note
155	286212-1	CAP 20		4				
156A_	150714-2	BASE COMPLETE		1	*			
C10	817838-4	CAUTION LABEL		1	*			
156A1	151898-9	BASE COMPLETE		1	*			
C10	817838-4	CAUTION LABEL		1	*			
156A2	153837-5	BASE COMPLETE	O	1	*			
C10	817838-4	CAUTION LABEL		1	*			
156A3	153889-6	BASE COMPLETE	<	1				
C10	810965-6	CAUTION LABEL		1				
157	911108-4	PAN HEAD SCREW M4X8		1				
158	645006-7	NOISE SUPPRESSOR		1	*			
158-1	645185-1	NOISE SUPPRESSOR	O	1				
159	645105-5	NOISE SUPPRESSOR		1	*			
159-1	645185-1	NOISE SUPPRESSOR	O	1				
160	688106-0	LINE FILTER		1	*			
160-1	688131-1	LINE FILTER	O	1				
161	651941-9	SWITCH V-15-2A5		1				
162	253804-1	FLAT WASHER 6		1				
163	941201-0	FLAT WASHER 8		1				
164	231266-3	COMPRESSION SPRING 5		1				
165	271601-3	KNOB 20		1				
166	251961-9	H.S.SET SCREW(FLAT POINT)M6X10		1				
900	344468-3	LOCK PLATE		1	*			
900-1	344855-6	LOCK PLATE	S	1	*			
900-2	345616-7	LOCK PLATE	S	1				
901	322985-3	LOCK PIN 8		1	*			
901-1	324654-2	LOCK PIN 8	S	1				
903	322984-5	ROD 8		1	*			
903-1	324640-3	ROD 8	S	1				
904	344469-1	LEVER		1	*			
904-1	345606-0	LOCK LEVER	S	1	*			
904-2	345829-0	LOCK LEVER	S	1				
905	421589-9	CAP		1				
906	911113-1	PAN HEAD SCREW M4X10 WITH WR		4	*			
906-1	922107-1	HEX. SOCKET HEAD BOLT M4X8	<	2				
907	911113-1	PAN HEAD SCREW M4X10 WITH WR		2				
A01	762001-3	TRIANGULAR RULE		1				
A02	782212-4	SOCKET WRENCH 13		1				
A03	122523-9	DUST BAG ASS'Y		1	*			
C10	410602-8	FASTENER		1	*			
A03-1	122852-0	DUST BAG ASS'Y	O	1				
C10	410602-8	FASTENER		1				
A04	411478-6	SWITCH BUTTON		2				
A05	322932-4	HOLDER 255		2				
A06	251887-5	SCREW M6X10		1				
A07	322983-7	WISE ROD		1				
A08	271309-9	KNOB 40		1				
A09	122538-6	WISE ASS'Y		1				

