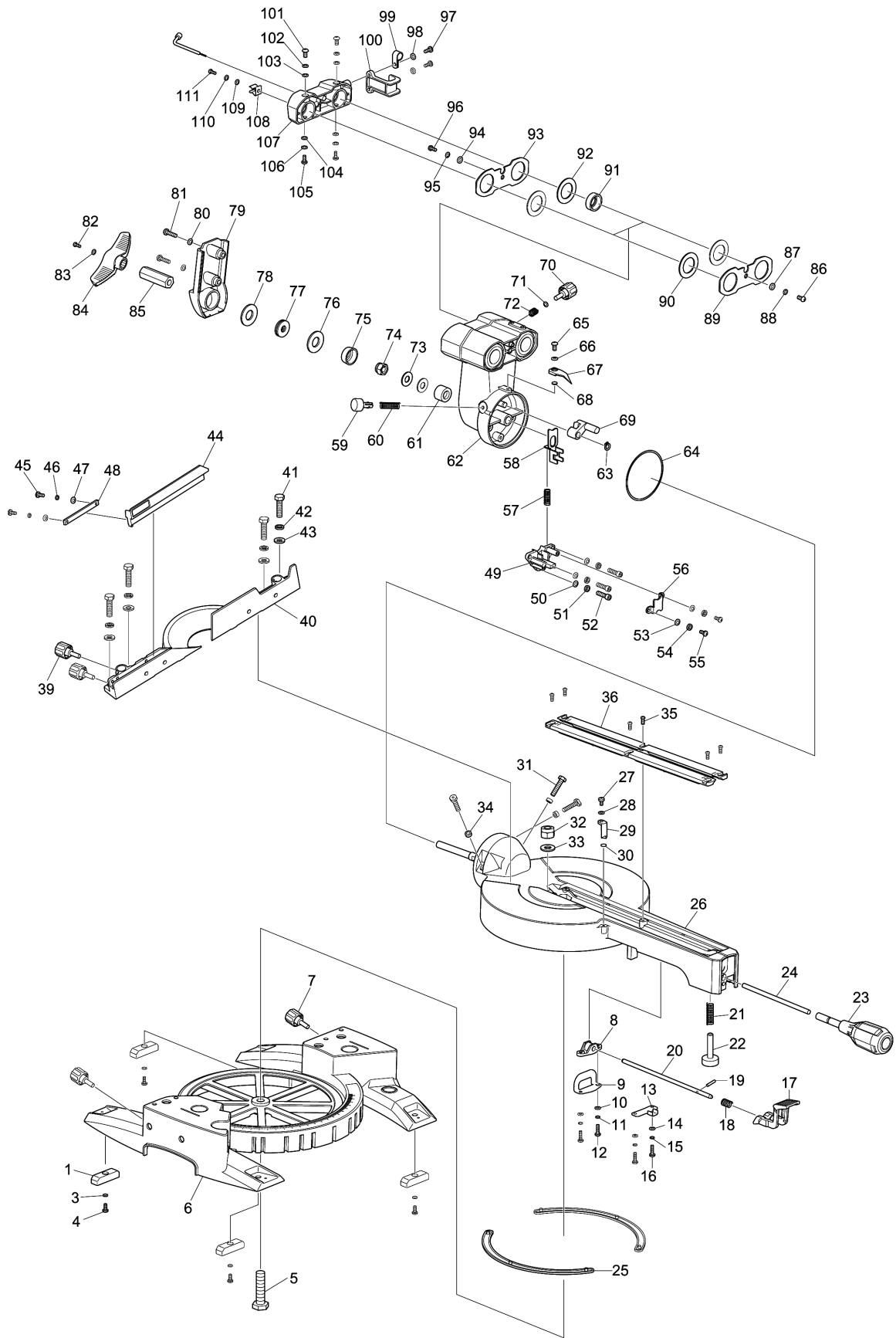
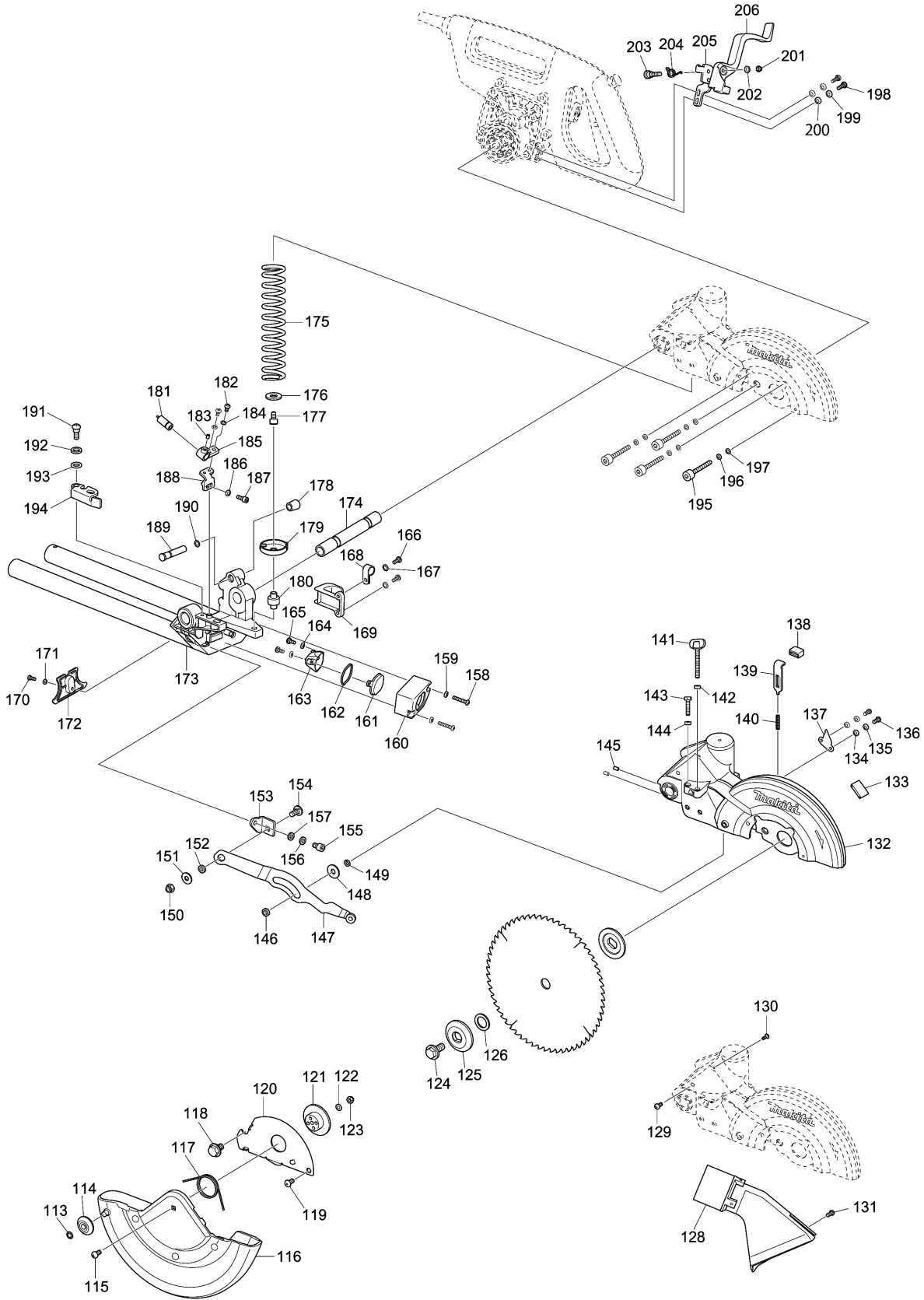


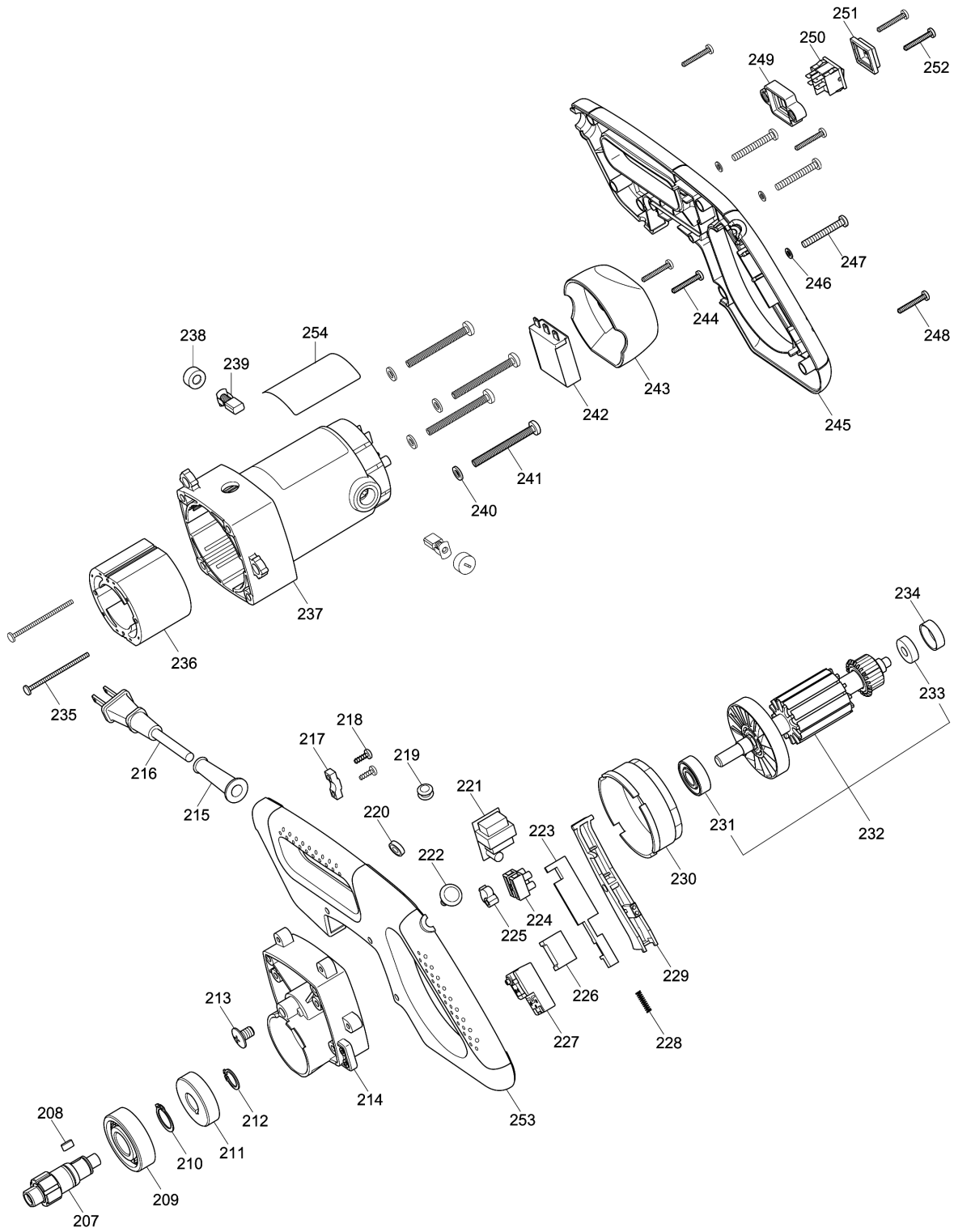
Model No.LS0815FL SLIDE COMPOUND MITER SAW 216MM



Model No.LS0815FL SLIDE COMPOUND MITER SAW 216MM



Model No.LS0815FL SLIDE COMPOUND MITER SAW 216MM



Model No.LS0815FL SLIDE COMPOUND MITER SAW 216MM

| Item | Parts No. | Description | I/C | Qty | New/Old | Opt. 1 | Opt. 2 | Note |
|-------|------------|-------------------------------|-----|-----|---------|--------|--------|------|
| 001 | JM23500132 | BUFFER PAD | | 4 | | | | |
| 003 | JM23100016 | FLAT WASHER 4 | | 4 | | | | |
| 004 | JM23500008 | CROSS HEAD SCREW M4X10 | | 4 | | | | |
| 005 | JM23500009 | PIVOT SHAFT | | 1 | | | | |
| 006 | JM23510001 | BASE COMPLETE | | 1 | | | | |
| C10 | JM23500010 | MITER SCALE LABEL | | 1 | | | | |
| C20 | JM2708A060 | CAUTION LABEL | | 2 | | | | |
| C30 | JM23500011 | BASE | | 1 | | | | |
| C40 | JM2318A058 | CAUTION LABEL | | 1 | | | | |
| 007 | JM23100013 | KNOB FOR EXT.WING | | 2 | | | | |
| 008 | JM23100025 | WORKING TABLE LOCKING BRACKET | | 1 | | | | |
| 009 | JM23100020 | LOCK PLATE B | | 1 | | | | |
| 010 | JM23100016 | FLAT WASHER 4 | | 2 | | | | |
| 011 | JM23100015 | SPRING WASHER 4 | | 2 | | | | |
| 012 | JM23100014 | CROSS HEAD SCREW M4X15 | | 2 | * | | | |
| 012-1 | JM23100033 | CROSS HEAD SCREW M4X12 | < | 2 | | | | |
| 013 | JM23100018 | LOCK PLATE A | | 1 | | | | |
| 014 | JM23100016 | FLAT WASHER 4 | | 2 | | | | |
| 015 | JM23100015 | SPRING WASHER 4 | | 2 | | | | |
| 016 | JM23100014 | CROSS HEAD SCREW M4X15 | | 2 | * | | | |
| 016-1 | JM23100033 | CROSS HEAD SCREW M4X12 | < | 2 | | | | |
| 017 | JM23100023 | PRESS PLATE | | 1 | | | | |
| 018 | JM23100021 | LOCK SPRING | | 1 | | | | |
| 019 | JM23100022 | LOCK PIN | | 1 | | | | |
| 020 | JM23500015 | LOCK SHAFT B | | 1 | | | | |
| 021 | JM23500014 | SPRING11 | | 1 | | | | |
| 022 | JM23500013 | ADJUSTABLE ROD | | 1 | | | | |
| 023 | JM23100027 | MITER LOCKING HANDLE | | 1 | | | | |
| 024 | JM23500016 | LOCK SHAFT A | | 1 | | | | |
| 025 | JM23500012 | FRICTION PLATE | | 2 | | | | |
| 026 | JM23510002 | WORKING TABLE COMPLETE | | 1 | | | | |
| C10 | JM23500017 | BEVEL SCALE LABEL | | 1 | | | | |
| C20 | JM23500018 | LOCKING ROD | | 1 | | | | |
| C30 | JM23500019 | WORKING TABLE | | 1 | | | | |
| C40 | JM23500020 | ELASTIC PIN 4X30 | | 1 | | | | |
| C50 | JM23500021 | HEX NUT M10 | | 1 | | | | |
| 027 | JM23500008 | CROSS HEAD SCREW M4X10 | | 1 | | | | |
| 028 | JM23100016 | FLAT WASHER 4 | | 1 | | | | |
| 029 | JM23100030 | MITER POINTER | | 1 | | | | |
| 030 | JM23500053 | OUT STAR WASHER | | 1 | | | | |
| 031 | JM23100034 | HEX BOLT M6X28 | | 3 | | | | |
| 032 | JM23500023 | LOCKNUT M8 | | 1 | | | | |

Please order the parts with part number.

Print Date 31/3/2020

Model No.LS0815FL SLIDE COMPOUND MITER SAW 216MM

| Item | Parts No. | Description | I/C | Qty | New/Old | Opt. 1 | Opt. 2 | Note |
|-------|------------|------------------------|-----|-----|---------|--------|--------|------|
| 033 | JM23500022 | FLAT WASHER 8 | | 1 | | | | |
| 034 | JM23100035 | ANTI-LOOSEN RING | | 3 | | | | |
| 035 | JM23500008 | CROSS HEAD SCREW M4X10 | | 6 | | | | |
| 036 | JM23100029 | TABLE INSERT | | 2 | | | | |
| 039 | JM23100013 | KNOB FOR EXT.WING | | 2 | | | | |
| 040 | JM23500026 | RIP FENCE | | 1 | | | | |
| 041 | JM23100062 | HEX BOLT M8X30 | | 4 | | | | |
| 042 | JM23100061 | SPRING WASHER 8 | | 4 | | | | |
| 043 | JM23100060 | FLAT WASHER 8 | | 4 | | | | |
| 044 | JM23510013 | SUB FENCE COMPLETE | | 1 | | | | |
| C10 | JM23500127 | SUB FENCE | | 1 | | | | |
| C20 | JM23580063 | CAUTION LABEL | | 1 | | | | |
| 045 | JM23100065 | CROSS HEAD SCREW M4X8 | | 2 | | | | |
| 046 | JM23100015 | SPRING WASHER 4 | | 2 | | | | |
| 047 | JM23100016 | FLAT WASHER 4 | | 2 | | | | |
| 048 | JM23500024 | KEY | | 1 | | | | |
| 049 | JM23500095 | 45DEGREE LIMIT BRACKET | | 1 | | | | |
| 050 | JM23100007 | FLAT WASHER 5 | | 3 | | | | |
| 051 | JM23100149 | SPRING WASHER 5 | | 3 | | | | |
| 052 | JM23500096 | H.S.BOLT M5X14 | | 3 | | | | |
| 053 | JM23100016 | FLAT WASHER 4 | | 2 | | | | |
| 054 | JM23100015 | SPRING WASHER 4 | | 2 | | | | |
| 055 | JM23500008 | CROSS HEAD SCREW M4X10 | | 2 | | | | |
| 056 | JM23500097 | 45DEGREE COVER | | 1 | | | | |
| 057 | JM23500094 | SPRING8 | | 1 | | | | |
| 058 | JM23500093 | 45DEGREE LIMIT PLATE | | 1 | | | | |
| 059 | JM23100051 | LIMITED KNOB | | 1 | | | | |
| 060 | JM23100049 | MITER PRESSION SPRING | | 1 | | | | |
| 061 | JM23100052 | CLAMP PLATE | | 1 | | | | |
| 062 | JM23510008 | SUPPORT ARM COMPLTE | | 1 | | | | |
| C10 | JM23100087 | LOCK SCREW M6X8 | | 2 | | | | |
| C20 | JM23500089 | LINEAR BEARING | | 3 | | | | |
| C30 | JM23100081 | BUFFER | | 2 | | | | |
| C40 | JM23500090 | SUPPORT ARM | | 1 | | | | |
| C50 | JM23500091 | ANGLE LIMIT | | 1 | | | | |
| C60 | JM23500092 | BEARING GASKET | | 1 | | | | |
| 063 | JM23500079 | RETAINING RING 8 | | 1 | | | | |
| 064 | JM23500078 | FRICITION RING | | 1 | | | | |
| 065 | JM23100014 | CROSS HEAD SCREW M4X15 | | 1 | * | | | |
| 065-1 | JM23100033 | CROSS HEAD SCREW M4X12 | < | 1 | | | | |
| 066 | JM23100016 | FLAT WASHER 4 | | 1 | | | | |
| 067 | JM23100048 | BEVEL POINTER | | 1 | | | | |

Model No.LS0815FL SLIDE COMPOUND MITER SAW 216MM

| Item | Parts No. | Description | I/C | Qty | New/Old | Opt. 1 | Opt. 2 | Note |
|------|------------|---------------------------|-----|-----|---------|--------|--------|------|
| 068 | JM23500053 | OUT STAR WASHER | | 1 | | | | |
| 069 | JM23500080 | 90DEGREE LIMIT BRACKET | | 1 | | | | |
| 070 | JM23100086 | SLIDING BAR LOCKING KNOB | | 1 | | | | |
| 071 | JM23100190 | SPECIAL WASHER 6 | | 1 | | | | |
| 072 | JM23100088 | PRESSURE SPRING | | 1 | | | | |
| 073 | JM23100010 | FLAT WASHER 10 | | 2 | | | | |
| 074 | JM23100009 | LOCKNUT M10 | | 1 | | | | |
| 075 | JM23100053 | BOWL TYPE PLATE | | 1 | | | | |
| 076 | JM23100055 | BIG FLAT WASHER 10X26X2.5 | | 1 | | | | |
| 077 | JM23100054 | SURFACE BEARING | | 1 | | | | |
| 078 | JM23100055 | BIG FLAT WASHER 10X26X2.5 | | 1 | | | | |
| 079 | JM23500086 | SUPPORT ARM COVER | | 1 | | | | |
| 080 | JM23100007 | FLAT WASHER 5 | | 2 | | | | |
| 081 | JM23100006 | CROSS HEAD SCREW M5X20 | | 2 | | | | |
| 082 | JM23100019 | CROSS HEAD SCREW M4X18 | | 1 | | | | |
| 083 | JM23100016 | FLAT WASHER 4 | | 1 | | | | |
| 084 | JM23500087 | BEVEL LOCKING HANDLE | | 1 | | | | |
| 085 | JM23500088 | HEX NUT | | 1 | | | | |
| 086 | JM23500081 | CROSS HEAD SCREW M5X | | 1 | | | | |
| 087 | JM23100007 | FLAT WASHER 5 | | 1 | | | | |
| 088 | JM23100149 | SPRING WASHER 5 | | 1 | | | | |
| 089 | JM23500082 | SUPPORT ARM COVER | | 1 | | | | |
| 090 | JM23500083 | DUSTPROOF RING | | 2 | | | | |
| 091 | JM23500084 | BEARING GASKET | | 1 | | | | |
| 092 | JM23500083 | DUSTPROOF RING | | 2 | | | | |
| 093 | JM23500082 | SUPPORT ARM COVER | | 1 | | | | |
| 094 | JM23100007 | FLAT WASHER 5 | | 1 | | | | |
| 095 | JM23100149 | SPRING WASHER 5 | | 1 | | | | |
| 096 | JM23500081 | CROSS HEAD SCREW M5X | | 1 | | | | |
| 097 | JM23100019 | CROSS HEAD SCREW M4X18 | | 2 | | | | |
| 098 | JM23100016 | FLAT WASHER 4 | | 2 | | | | |
| 099 | JM23100072 | CORD CLAMP | | 1 | | | | |
| 100 | JM23500066 | CABLE HOLDER BRACKET | | 1 | | | | |
| 101 | JM23500081 | CROSS HEAD SCREW M5X | | 2 | | | | |
| 102 | JM23100149 | SPRING WASHER 5 | | 2 | | | | |
| 103 | JM23100007 | FLAT WASHER 5 | | 2 | | | | |
| 104 | JM23100007 | FLAT WASHER 5 | | 2 | | | | |
| 105 | JM23500081 | CROSS HEAD SCREW M5X | | 2 | | | | |
| 106 | JM23100149 | SPRING WASHER 5 | | 2 | | | | |
| 107 | JM23500085 | SLIDING BAR BRACKET | | 1 | | | | |
| 108 | JM23100091 | WRENCH CLIP | | 1 | | | | |
| 109 | JM23100016 | FLAT WASHER 4 | | 1 | | | | |

Model No.LS0815FL SLIDE COMPOUND MITER SAW 216MM

| Item | Parts No. | Description | I/C | Qty | New/Old | Opt. 1 | Opt. 2 | Note |
|-------|------------|----------------------------|-----|-----|---------|--------|--------|------|
| 110 | JM23100015 | SPRING WASHER 4 | | 1 | | | | |
| 111 | JM23100014 | CROSS HEAD SCREW M4X15 | | 1 | * | | | |
| 111-1 | JM23100033 | CROSS HEAD SCREW M4X12 | < | 1 | | | | |
| 113 | JM23100103 | WHEEL LOCK RING | | 1 | | | | |
| 114 | JM23100102 | GUARD WHEEL | | 1 | | | | |
| 115 | JM23500031 | SQUARE NECK BOLT M5X12 | | 1 | | | | |
| 116 | JM23510004 | LOW BLADE GUARD | | 1 | | | | |
| C10 | JM23500032 | LOW BLADE GUARD | | 1 | * | | | |
| C20 | JM23500033 | LOW GUARD SUPPORT PLATE | | 1 | * | | | |
| C30 | JM23100104 | FLAT WASHER 5 | | 3 | * | | | |
| C40 | JM23100101 | GUARD RIVET | | 3 | * | | | |
| 117 | JM23500035 | GUARD SPRING | | 1 | | | | |
| 118 | JM23500134 | HEX BOLT M8X15 | | 1 | | | | |
| 119 | JM23100113 | CROSSHEAD SCREW FOR GUARD | | 1 | | | | |
| 120 | JM23500036 | LOW GUARD FIX PLATE | | 1 | | | | |
| 121 | JM23500037 | GUARD LINKAGE CENTER PLATE | | 1 | | | | |
| 122 | JM23100007 | FLAT WASHER 5 | | 1 | | | | |
| 123 | JM23100141 | LOCKNUT M5 | | 1 | | | | |
| 124 | JM23500135 | BLADE BOLT | | 1 | | | | |
| 125 | JM23500038 | BLADE FLANGE | | 2 | | | | |
| 126 | JM23100144 | BLADE INNER RING | | 1 | | | | |
| 128 | JM23500039 | DUST PORT | | 1 | | | | |
| 129 | JM23100193 | PIN C | | 1 | * | | | |
| 129-1 | JM23500040 | CROSS HEAD SCREW ST4.2X12 | X | 1 | | | | |
| 130 | JM23100193 | PIN C | | 1 | * | | | |
| 130-1 | JM23500040 | CROSS HEAD SCREW ST4.2X12 | X | 1 | | | | |
| 131 | JM23500034 | CROSS HEAD SCREW | | 1 | | | | |
| 132 | JM23510005 | UP BLADE GUARD COMPLETE | | 1 | | | | |
| C10 | JM23500046 | UP BLADE GUARD | | 1 | | | | |
| C20 | JM23100114 | LINK PIN | | 1 | | | | |
| C30 | JM23100147 | BUFFER | | 1 | | | | |
| 133 | JM23500047 | GUARD INSERT | | 1 | | | | |
| 134 | JM23100016 | FLAT WASHER 4 | | 2 | | | | |
| 135 | JM23100015 | SPRING WASHER 4 | | 2 | | | | |
| 136 | JM23100014 | CROSS HEAD SCREW M4X15 | | 2 | * | | | |
| 136-1 | JM23100033 | CROSS HEAD SCREW M4X12 | < | 2 | | | | |
| 137 | JM23500048 | LOCK PLATE | | 1 | | | | |
| 138 | JM23100138 | LOCK COVER | | 1 | | | | |
| 139 | JM23500050 | LOCK PLATE | | 1 | * | | | |
| 139-1 | JM23500139 | LOCK PLATE | < | 1 | | | | |

Model No.LS0815FL SLIDE COMPOUND MITER SAW 216MM

| Item | Parts No. | Description | I/C | Qty | New/Old | Opt. 1 | Opt. 2 | Note |
|------|------------|--------------------------------|-----|-----|---------|--------|--------|------|
| 140 | JM23500049 | LOCK SPRING5 | | 1 | | | | |
| 141 | JM23100119 | LIMITED KNOB | | 1 | | | | |
| 142 | JM23100035 | ANTI-LOOSEN RING | | 1 | | | | |
| 143 | JM23500051 | HEX BOLT M6X25 | | 1 | | | | |
| 144 | JM23100035 | ANTI-LOOSEN RING | | 1 | | | | |
| 145 | JM23500052 | H.S.SET SCREW | | 2 | | | | |
| 146 | JM23100098 | LINK SLEEVE | | 1 | | | | |
| 147 | JM23510003 | LINK COMPLETE | | 1 | | | | |
| C10 | JM23500028 | LINK | | 1 | | | | |
| C20 | JM23500029 | LINK PIN | | 1 | | | | |
| C30 | JM23500030 | BEARING 695Z | | 1 | | | | |
| 148 | JM23100071 | THIN FLAT WASHER 6 | | 1 | | | | |
| 149 | JM23100115 | RETAINING RING 5 | | 1 | | | | |
| 150 | JM23500027 | LOCK THIN NUT | | 1 | | | | |
| 151 | JM23100071 | THIN FLAT WASHER 6 | | 1 | | | | |
| 152 | JM23100098 | LINK SLEEVE | | 1 | | | | |
| 153 | JM23500055 | LINK FIX PLATE | | 1 | | | | |
| 154 | JM23500054 | SQUARE NECK BOLT M6X14 | | 1 | | | | |
| 155 | JM23500071 | H.S.BOLT M6X12 | | 1 | | | | |
| 156 | JM23100151 | SPRING WASHER 6 | | 1 | | | | |
| 157 | JM23100190 | SPECIAL WASHER 6 | | 1 | | | | |
| 158 | JM23500056 | CROSS HEAD SCREW M4X28 | | 2 | | | | |
| 159 | JM23100016 | FLAT WASHER 4 | | 2 | | | | |
| 160 | JM23500057 | LAMP COVER | | 1 | | | | |
| 161 | JM23500058 | LAMP LENZ | | 1 | | | | |
| 162 | JM23500059 | SEALING RING | | 1 | | | | |
| 163 | JM23510006 | LAMP ASSY | | 1 | | | | |
| C10 | JM23500060 | REFLECTOR | | 1 | | | | |
| C20 | JM23500061 | LIGHT | | 1 | | | | |
| 164 | JM23500128 | FLAT WASHER 3 | | 2 | | | | |
| 165 | JM23500062 | S.T.CROSS HEAD SCREW 9X13 | | 2 | | | | |
| 166 | JM23100019 | CROSS HEAD SCREW M4X18 | | 2 | | | | |
| 167 | JM23100016 | FLAT WASHER 4 | | 2 | | | | |
| 168 | JM23100072 | CORD CLAMP | | 1 | | | | |
| 169 | JM23500066 | CABLE HOLDER BRACKET | | 1 | | | | |
| 170 | JM23500008 | CROSS HEAD SCREW M4X10 | | 1 | | | | |
| 171 | JM23100016 | FLAT WASHER 4 | | 1 | | | | |
| 172 | JM23500077 | BRACKET BACK COVER | | 1 | | | | |
| 173 | JM23510007 | UP BLADE GUARD BRACKET COMP | | 1 | | | | |
| C10 | JM23500074 | SLIDING BAR | | 2 | | | | |
| C20 | JM23500075 | ELASTIC PIN 5 | | 2 | | | | |

Model No.LS0815FL SLIDE COMPOUND MITER SAW 216MM

| Item | Parts No. | Description | I/C | Qty | New/Old | Opt. 1 | Opt. 2 | Note |
|-------|------------|--------------------------------|-----|-----|---------|--------|--------|------|
| C30 | JM23500076 | UP BLADE GUARD BRACKET | | 1 | | | | |
| C40 | JM23180059 | CAUTION LABEL | | 1 | | | | |
| 174 | JM23500064 | CONNECTION SHAFT | | 1 | | | | |
| 175 | JM23500072 | SPRING32 | | 1 | | | | |
| 176 | JM23500022 | FLAT WASHER 8 | | 1 | | | | |
| 177 | JM23500071 | H.S.BOLT M6X12 | | 1 | | | | |
| 178 | JM23100097 | PIN CAP | | 1 | | | | |
| 179 | JM23500065 | SPRING BRACKET | | 1 | | | | |
| 180 | JM23500063 | SPRING SUPPORT PIN | | 1 | | | | |
| 181 | JM23500070 | LASER | | 1 | | | | |
| 182 | JM23500068 | H.S.BOLT M4X8 | | 2 | | | | |
| 183 | JM23500069 | H.S.SET SCREW | | 1 | | | | |
| 184 | JM23100016 | FLAT WASHER 4 | | 2 | | | | |
| 185 | JM23500067 | LASER BRACKET | | 1 | | | | |
| 186 | JM23100016 | FLAT WASHER 4 | | 1 | | | | |
| 187 | JM23100067 | H.S.BOLT M4X12 | | 1 | | | | |
| 188 | JM23500073 | LASER MOVING PLATE | | 1 | | | | |
| 189 | JM23100093 | PIN C | | 1 | * | | | |
| 189-1 | JM23100193 | PIN C | < | 1 | | | | |
| 190 | JM23100150 | SEALING RING | | 1 | | | | |
| 191 | JM23100096 | DEPTH ADJUSTABLE PLATE BOLT | | 1 | | | | |
| 192 | JM23100060 | FLAT WASHER 8 | | 1 | | | | |
| 193 | JM23100094 | WAVE SPRING WASHER | | 1 | | | | |
| 194 | JM23100092 | CUTTING DEPTH ADJUSTABLE PLATE | | 1 | | | | |
| 195 | JM23500041 | H.S.BOLT M6X40 | | 4 | | | | |
| 196 | JM23100151 | SPRING WASHER 6 | | 4 | | | | |
| 197 | JM23100190 | SPECIAL WASHER 6 | | 4 | | | | |
| 198 | JM23100014 | CROSS HEAD SCREW M4X15 | | 2 | * | | | |
| 198-1 | JM23100033 | CROSS HEAD SCREW M4X12 | < | 2 | | | | |
| 199 | JM23100015 | SPRING WASHER 4 | | 2 | | | | |
| 200 | JM23100016 | FLAT WASHER 4 | | 2 | | | | |
| 201 | JM23100141 | LOCKNUT M5 | | 1 | | | | |
| 202 | JM23100007 | FLAT WASHER 5 | | 1 | | | | |
| 203 | JM23100139 | LEVER SCREW | | 1 | | | | |
| 204 | JM23500045 | LEVER SPRING | | 1 | | | | |
| 205 | JM23500044 | LOCK LEVER BRACKET | | 1 | | | | |
| 206 | JM23500043 | LOCK LEVER | | 1 | | | | |
| 207 | JM23500103 | OUTPUT SHAFT | | 1 | | | | |
| 208 | JM23100156 | KEY 5X10 | | 1 | | | | |
| 209 | JM23100157 | BEARING 6304 | | 1 | | | | |
| 210 | JM23100158 | RETAINING RING 20 | | 1 | | | | |

Model No.LS0815FL SLIDE COMPOUND MITER SAW 216MM

| Item | Parts No. | Description | I/C | Qty | New/Old | Opt. 1 | Opt. 2 | Note |
|-------|------------|--------------------------------|-----|-----|---------|--------|--------|------|
| 211 | JM23500104 | GEAR WHEEL | | 1 | | | | |
| 212 | JM23100160 | RETAINING RING 16 | | 1 | | | | |
| 213 | JM23100161 | OUTPUT SHAFT SCREW M8X12 | | 1 | | | | |
| 214 | JM23510011 | GEAR BOX COMPLETE | | 1 | | | | |
| C10 | JM23500105 | GEAR BOX | | 1 | | | | |
| C20 | JM23100162 | BUSH | | 1 | | | | |
| 215 | JM23100165 | PROTECTION TUBE | | 1 | | | | |
| 216 | JM23000156 | POWER SUPPLY CORD ASSY EURO | | 1 | | | | |
| 217 | JM23100166 | CORD CLAMP | | 1 | | | | |
| 218 | JM23100193 | PIN C | | 2 | * | | | |
| 218-1 | JM23500040 | CROSS HEAD SCREW ST4.2X12 | X | 2 | | | | |
| 219 | JM23500108 | PROTECTIVE SLEEVE | | 1 | | | | |
| 220 | JM23500133 | MAGNETIC RING ASSY | | 1 | | | | |
| 221 | JM23500109 | TRANSFORMER | | 1 | | | | |
| 222 | JM23100177 | BRAKE SYSTEM SWITCH KEY | | 1 | | | | |
| 223 | JM23100175 | SWITCH LOCK PLATE | | 1 | | | | |
| 224 | JM23100171 | TERMINAL POLE | | 1 | | | | |
| 225 | JM23100173 | SWITCH LOCK BRACKET | | 1 | | | | |
| 226 | JM23100169 | CAPACITOR | | 1 | | | | |
| 227 | JM23100179 | ELECTRIC SWITCH | | 1 | | | | |
| 228 | JM23100176 | SWITCH HANDLE SPRING | | 1 | | | | |
| 229 | JM23100174 | SWITCH HANDLE | | 1 | | | | |
| 230 | JM23500110 | BAFFLER RING | | 1 | | | | |
| 231 | JM23500137 | BALL BEARING 6201 | | 1 | | | | |
| 232 | JM23500001 | ARMATURE(230V) | | 1 | | | | |
| D10 | | INC. 231,233 | | | | | | |
| 233 | JM23500111 | BEARING 608 | | 1 | | | | |
| 234 | JM23500112 | DAMPING RING | | 1 | | | | |
| 235 | JM23500113 | S.T. CROSS HEAD 4.2X65 | | 2 | | | | |
| 236 | JM23500004 | FIELD 230V | | 1 | | | | |
| 237 | JM23510012 | MOTOR HOUSING COMPLETE | | 1 | | | | |
| C10 | JM23500114 | MOTOR HOUSING | | 1 | | | | |
| C20 | JM23500115 | BRUSH HOLDER | | 2 | | | | |
| C30 | JM23100185 | H.S.SCREW M5X8 | | 2 | | | | |
| C40 | JM23180057 | CAUTION LABEL | | 1 | | | | |
| C50 | JM23180056 | CAUTION LABEL | | 1 | | | | |
| 238 | JM23500116 | BRUSH COVER | | 2 | | | | |
| 239 | JM23500117 | CARBON BRUSH 2PCS/SET | | 2 | * | | | |
| 239-1 | JM23500117 | CARBON BRUSH 2PCS/SET | < | 1 | | | | |
| 240 | JM23100190 | SPECIAL WASHER 6 | | 4 | | | | |
| 241 | JM23500118 | CROSS HEAD SCREW M6X60 | | 4 | | | | |

Please order the parts with part number.

Print Date 31/3/2020

Model No.LS0815FL SLIDE COMPOUND MITER SAW 216MM

| Item | Parts No. | Description | I/C | Qty | New/Old | Opt. 1 | Opt. 2 | Note |
|------|------------|-------------------------------|-----|-----|---------|--------|--------|------|
| 242 | JM23100186 | SOFT STARTER | | 1 | | | | |
| 243 | JM23500119 | MOTOR REAR COVER | | 1 | | | | |
| 244 | JM23100167 | SELF TAPPING SCREW M4X16 | | 2 | | | | |
| 245 | JM23500121 | RIGHT HANDLE | | 1 | | | | |
| 246 | JM23100007 | FLAT WASHER 5 | | 3 | | | | |
| 247 | JM23500123 | CROSS HEAD SCREW M5X40 | | 3 | | | | |
| 248 | JM23100167 | SELF TAPPING SCREW M4X16 | | 3 | | | | |
| 249 | JM23500124 | SWITCH BRACKET | | 1 | | | | |
| 250 | JM23500125 | LASER SWITCH | | 1 | | | | |
| 251 | JM23500126 | LASER SWITCH PROTECTIVE COVER | | 1 | | | | |
| 252 | JM23500120 | ST CROSS HEAD SCREW 4.2X28 | | 2 | | | | |
| 253 | JM23500107 | LEFT HANDLE | | 1 | | | | |
| 254 | JM23580018 | NAMEPLATE | | 1 | | | | |
| A01 | JM23000127 | HOLDER SET | | 2 | | | | |
| A02 | JM23570002 | SAW BLADE | | 1 | | | | |
| A03 | JM23510009 | WISE ASSEMBLY | | 1 | | | | |
| C10 | JM23500098 | GUIDE ROD | | 1 | | | | |
| C20 | JM23100152 | WING KNOB,M6X10 | | 1 | | | | |
| C30 | JM23500099 | CLAMP KNOB | | 1 | | | | |
| C40 | JM27000218 | WISE ARM | | 1 | | | | |
| C50 | JM27000219 | WISE PLATE | | 1 | | | | |
| C60 | JM23100065 | CROSS HEAD SCREW M4X8 | | 1 | | | | |
| C70 | JM23100016 | FLAT WASHER 4 | | 1 | | | | |
| C80 | JM23100015 | SPRING WASHER 4 | | 1 | | | | |
| A04 | JM23510010 | DUST BAG ASSY | | 1 | | | | |
| C10 | JM23500100 | DUST BAG BEAM | | 1 | | | | |
| C20 | JM23500101 | DUST BAG CLAMP | | 1 | | | | |
| C30 | JM23500102 | DUST BAG | | 1 | | | | |
| A05 | JM27000328 | TRIANGLE PLATE | | 1 | | | | |
| A06 | 782230-2 | BOX WRENCH 13-3 | | 1 | | | | |

Please order the parts with part number.

Print Date 31/3/2020