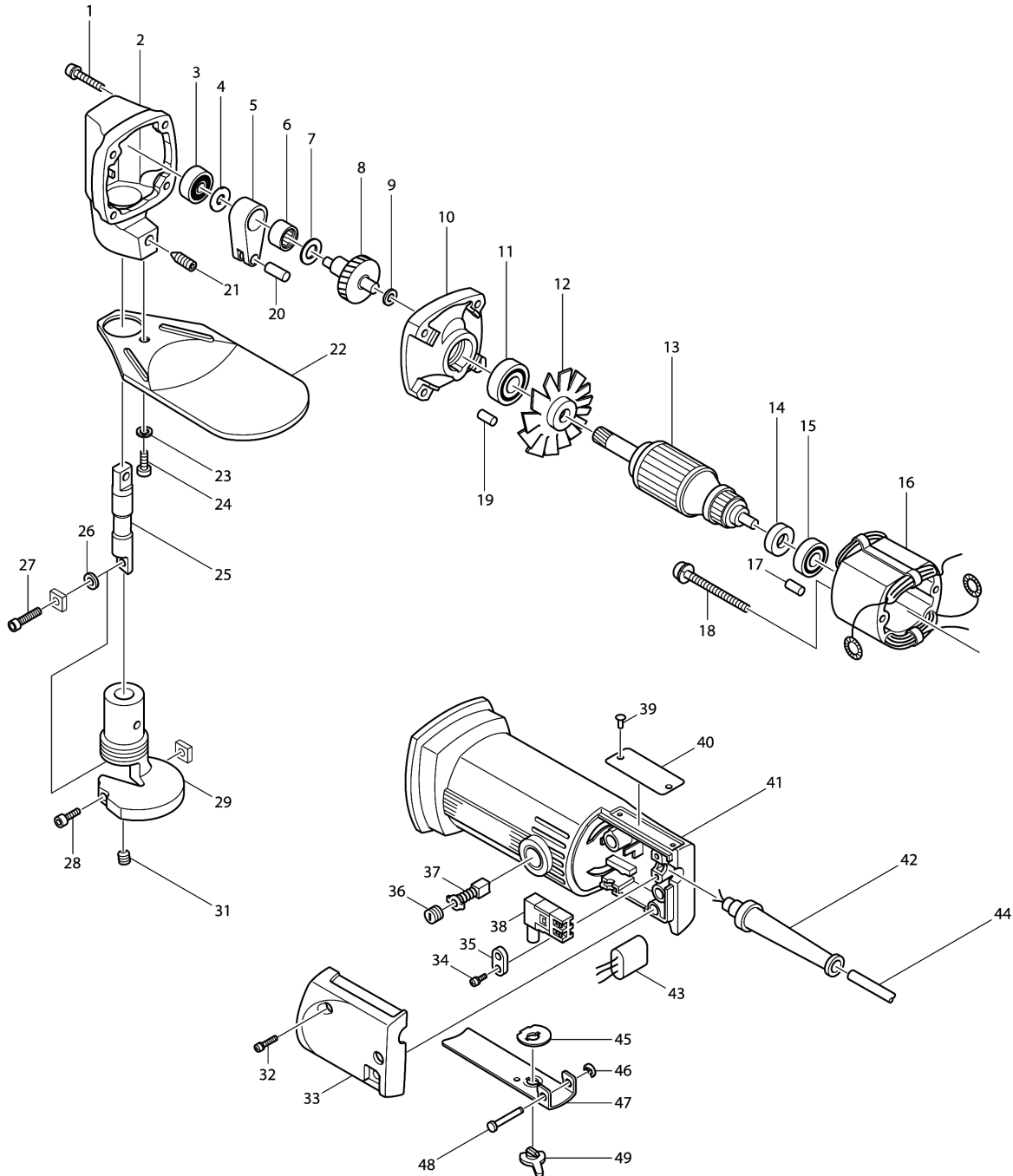


Model No.JS1600 SHEAR 1.6MM





## Model No.JS1600 SHEAR 1.6MM

Item	Parts No.	Description	I/C	Qty	New/Old	Opt. 1	Opt. 2	Note
001	911156-3	PAN HEAD SCREW M4X30		4				
002	156725-5	GEAR HOUSING		1				
C10	817658-6	CAUTION LABEL		1				
003	211029-3	BALL BEARING 627		1	*			
003-1	210025-8	BALL BEARING 627LLB	X	1				
004	253823-7	FLAT WASHER 7		1				
005	331151-1	ROD		1				
006	212063-6	NEEDLE BEARING 1012		1				
007	253758-2	FLAT WASHER 10		1				
008	153138-1	CRANK SHAFT COMPLETE		1				
009	253715-0	FLAT WASHER 6		1				
010	156731-0	GEAR HOUSING COVER		1				
C10	212011-5	NEEDLE BEARING 609		1				
D10		INC. 19						
011	211033-2	BALL BEARING 608LB		1				
012	241081-7	FAN 58		1				
013C_	511433-9	ARMATURE ASS'Y 220V		1				
D10		INC. 11,12,14,15						
014	681614-0	INSULATION WASHER		1				
015	211028-5	BALL BEARING 627LB		1				
016H_	528623-7	FIELD ASS'Y 220V		1	*			
C10	654018-9	RING TERMINAL		2	*			
C20	654501-6	CONNECTOR P-1.25		2	*			
016H1	527066-0	FIELD ASS'Y 220V	X	1				
C10	654018-9	RING TERMINAL		2				
C20	654501-6	CONNECTOR P-1.25		2				
017	263002-9	RUBBER PIN 4		1				
018-1	265891-8	TAPPING SCREW BT 4X55		2	*			
018-2	266147-2	TAPPING SCREW 4X55	<	2				
019	263002-9	RUBBER PIN 4		1				
020	256110-3	PIN 6		1				
021	913427-4	SET SCREW M8X16		1				
022	341676-7	PROTECTOR		1				
023-1	942101-7	SPRING WASHER 5		1	*			
024-2	922207-7	HEX. SOCKET HEAD BOLT M5X10		1	*			
024-3	922206-9	HEX. SOCKET HEAD BOLT M5X10	X	1				
025	321311-3	BLADE HOLDER		1				
026	253334-2	THIN WASHER 5		2	*			
026-1	253334-2	THIN WASHER 5	<	1				
027	922112-8	HEX. SOCKET HEAD BOLT M4X10		1				

Please order the parts with part number.

Print Date 2/7/2019

## Model No.JS1600 SHEAR 1.6MM

Item	Parts No.	Description	I/C	Qty	New/Old	Opt. 1	Opt. 2	Note
028-1	922127-5	HEX. SOCKET HEAD BOLT M4X16		1				
029-2	311717-3	YOKE		1				
031	251986-3	H.S.SET SCREW(FLAT POINT)M6X6		1				
032	911158-9	PAN HEAD SCREW M4X30		2				
033A_	411981-7	SWITCH COVER		1				
034-1	911133-5	PAN HEAD SCREW M4X18		2				
035D_	687031-2	STRAIN RELIEF		1				
036	643550-8	BRUSH HOLDER CAP 5-8		2				
037C_	191628-6	CARBON BRUSH CB-65		1				
038B_	651821-9	SWITCH ZGM-54		1				
040	815652-2	NAME PLATE JS1600		1				
041-1	157720-8	MOTOR HOUSING		1				
C10	643557-4	BRUSH HOLDER 5-8		2				
D10		INC. 17						
042B_	682521-0	CORD GUARD 10		1				
043G_	645169-9	NOISE SUPPRESSOR		1	*			
043G1	645105-5	NOISE SUPPRESSOR	X	1				
044V_	665852-2	POWER SUPPLY CORD 1.0-2- 2.0		1				
046	961017-7	STOP RING E-3		1				
047B_	341858-1	SWITCH LEVER		1				
048	256626-8	PIN 4		1				
400-1	410048-8	WRENCH HOLDER 3.4		1				
401	783201-2	HEX. WRENCH 3		1				
402-2	191383-0	SHEAR BLADE SET		1				
900	231322-9	COMPRESSION SPRING 3		1				
901	341930-9	LOCK LEVER		1				

Please order the parts with part number.

Print Date 2/7/2019