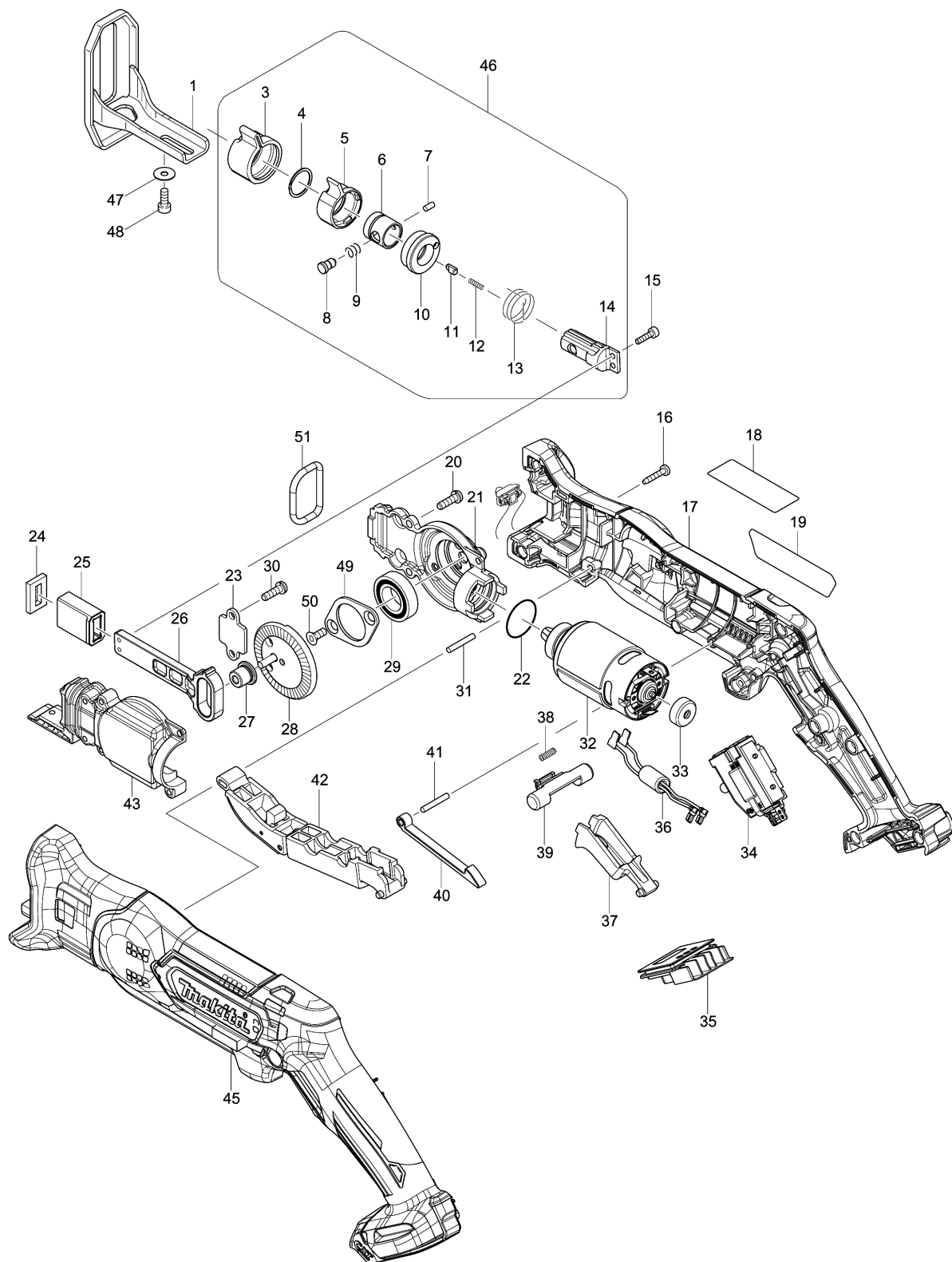


Model No. JR103D CORDLESS RECIPRO SAW



Model No.JR103D CORDLESS RECIPRO SAW

| Item | Parts No. | Description | I/C | Qty | New/Old | Opt. 1 | Opt. 2 | Note |
|-------|-----------|---------------------------------|-----|-----|---------|--------|--------|------|
| 001 | 165740-8 | SHOE | | 1 | | | | |
| 003 | 424466-4 | PROTECTOR | | 1 | | | | |
| 004 | 257981-1 | RETAINING RING (EXT)16 | | 1 | | | | |
| 005 | 310496-0 | DRIVING SLEEVE | | 1 | | | | |
| 006 | 331963-2 | GUIDE SLEEVE | | 1 | | | | |
| 007 | 268094-3 | PIN 3 | | 1 | | | | |
| 008 | 256492-3 | SHOULDER PIN 5 | | 1 | | | | |
| 009 | 233345-3 | COMPRESSION SPRING 6 | | 1 | | | | |
| 010 | 453071-0 | CONNECTING SLEEVE | | 1 | | | | |
| 011 | 310495-2 | PUSH PIN | | 1 | * | | | |
| 011-1 | 310859-0 | PUSH PIN | O | 1 | * | | | |
| 011-2 | 310912-2 | PUSH PIN | S | 1 | | | | |
| 012 | 233025-1 | COMPRESSION SPRING 2 | | 1 | * | | | |
| 012-1 | 232472-3 | COMPRESSION SPRING 2 | S | 1 | | | | |
| 013 | 233594-2 | TORSION SPRING 17 | | 1 | | | | |
| 014 | 326113-2 | BLADE GUIDE | | 1 | | | | |
| 015 | 265910-0 | HEX. SOCKET HEAD BOLT M3X12 | | 2 | | | | |
| 016 | 266429-2 | TAPPING SCREW 3X16 | | 10 | | | | |
| 017 | 183C31-3 | HOUSING SET | | 1 | | | | |
| C10 | 263002-9 | RUBBER PIN 4 | | 3 | | | | |
| D10 | | INC. 45 | | | | | | |
| 019 | 851H90-2 | JR103D NAME PLATE | | 1 | * | | | |
| 019-1 | 851H89-7 | JR103D NAME PLATE | < | 1 | | | | |
| 020 | 266747-8 | PAN HEAD SCREW M4X14 WITH WM | | 3 | | | | |
| 021 | 319060-4 | GEAR HOUSING | | 1 | | | | |
| 022 | 213961-7 | O RING 22 | | 1 | | | | |
| 023 | 346525-3 | PLATE | | 1 | | | | |
| 024 | 443185-3 | FELT SEAL | | 1 | | | | |
| 025 | 313220-0 | SLIDER GUIDE | | 1 | | | | |
| 026 | 313271-3 | SLIDER | | 1 | | | | |
| 027 | 313270-5 | COLLARED SLEEVE 4 | | 1 | | | | |
| 028 | 142284-5 | GEAR COMPLETE | | 1 | | | | |
| 029 | 211242-3 | BALL BEARING 6902ZZ | | 1 | | | | |
| 030 | 266747-8 | PAN HEAD SCREW M4X14 WITH WM | | 2 | | | | |
| 031 | 256158-5 | PIN 3 | | 1 | | | | |
| 032 | 629165-5 | DC MOTOR | | 1 | | | | |
| 033 | 424467-2 | CAP | | 1 | | | | |
| 034 | 632F46-0 | SWITCH UNIT | | 1 | | | | |
| C10 | 620447-8 | LED CIRCUIT | | 1 | | | | |
| 035 | 644813-5 | TERMINAL | | 1 | | | | |
| 036 | 632F66-4 | LINE FILTER UNIT | | 1 | | | | |

Please order the parts with part number.

Print Date 3/6/2019

Model No.JR103D CORDLESS RECIPRO SAW

| Item | Parts No. | Description | I/C | Qty | New/Old | Opt. 1 | Opt. 2 | Note |
|--------|-----------|-----------------------------------|-----|-----|---------|--------|--------|------|
| 037 | 453072-8 | SWITCH LEVER R | | 1 | | | | |
| 038 | 233438-6 | COMPRESSION SPRING 4 | | 1 | | | | |
| 039 | 454661-2 | LOCK OFF LEVER R | | 1 | | | | |
| 040 | 313219-5 | LINK | | 1 | | | | |
| 041 | 256158-5 | PIN 3 | | 1 | | | | |
| 042 | 141128-6 | SWITCH LEVER F COMPLETE | | 1 | | | | |
| 043 | 319061-2 | GEAR HOUSING COVER | | 1 | | | | |
| 045 | 183C31-3 | HOUSING SET | | 1 | | | | |
| C10 | 263002-9 | RUBBER PIN 4 | | 3 | | | | |
| D10 | | INC. 17 | | | | | | |
| 046 | 126201-3 | BLADE CLAMP ASSEMBLY | | 1 | | | | |
| D10 | | INC. 3-14 | | | | | | |
| 047 | 253874-0 | FLAT WASHER 4 | | 1 | | | | |
| 048 | 922112-8 | HEX. SOCKET HEAD BOLT M4X10 | | 1 | | | | |
| 049 | 285738-0 | BEARING RETAINER 36 | | 1 | | | | |
| 050 | 265035-0 | COUNTERSUNK HEAD SCREW M4X10 | | 2 | | | | |
| 051 | 424597-9 | RUBBER RING 23 | | 1 | | | | |
| A01 | 783201-2 | HEX. WRENCH 3 | | 1 | | | | |
| A02 | B-20432 | RECIPROSAW BLADE 100MM | | 1 | | | | |
| A03 | B-20404 | RECIPROSAW BLADE 100MM | | 1 | | | | |
| A04B | 838313-7 | INNER TRAY | | 1 | | | | |
| A04C | 456128-6 | BATTERY COVER | | 1 | | | | |
| A05B | ***DC10SA | DC10SA BATTERY CHARGER | | 1 | * | | | |
| D10 | | COMPO-PARTS | | | * | | | |
| A05C | ***DC10SA | DC10SA BATTERY CHARGER | | 1 | * | | | |
| D10 | | COMPO-PARTS | | | * | | | |
| A05-1C | ***DC10SB | DC10SB BATTERY CHARGER | O | 1 | | | | |
| D10 | | COMPO-PARTS | | | | | | |
| A06B | 197390-1 | BATTERY BL1015 SET | | 1 | * | | | |
| A06C | 197402-0 | BATTERY BL1040B SET | | 2 | * | | | |
| A06-1B | 197393-5 | BATTERY BL1016 SET | O | 1 | | | | |
| A06-1C | 197406-2 | BATTERY BL1041B SET | O | 2 | * | | | |
| A06-2C | 197406-2 | BATTERY BL1041B SET | O | 2 | | | | |
| A07B | 821549-5 | CONNECTOR PLASTIC CASE (TYPE1) | | 1 | | | | |
| C10 | 453974-8 | LATCH | | 4 | | | | |
| A07C | 821549-5 | CONNECTOR PLASTIC CASE (TYPE1) | | 1 | | | | |
| C10 | 453974-8 | LATCH | | 4 | | | | |
| A08B | 807L39-4 | JR103DY1J INDICATION LABEL | | 1 | | | | |
| A08C | 807L45-9 | JR103DSMJ INDICATION LABEL | | 1 | | | | |

Please order the parts with part number.

Print Date 3/6/2019

Model No.JR103D CORDLESS RECIPRO SAW

| Item | Parts No. | Description | I/C | Qty | New/Old | Opt. 1 | Opt. 2 | Note |
|------|-----------|------------------------------|-----|-----|---------|--------|--------|------|
| A09B | 807L40-9 | JR103DY1J PLASTIC CASE LABEL | | 2 | | | | |
| A09C | 807L46-7 | JR103DSMJ PLASTIC CASE LABEL | | 2 | | | | |
| A10C | 838313-7 | INNER TRAY | | 1 | | | | |

Please order the parts with part number.

Print Date 3/6/2019