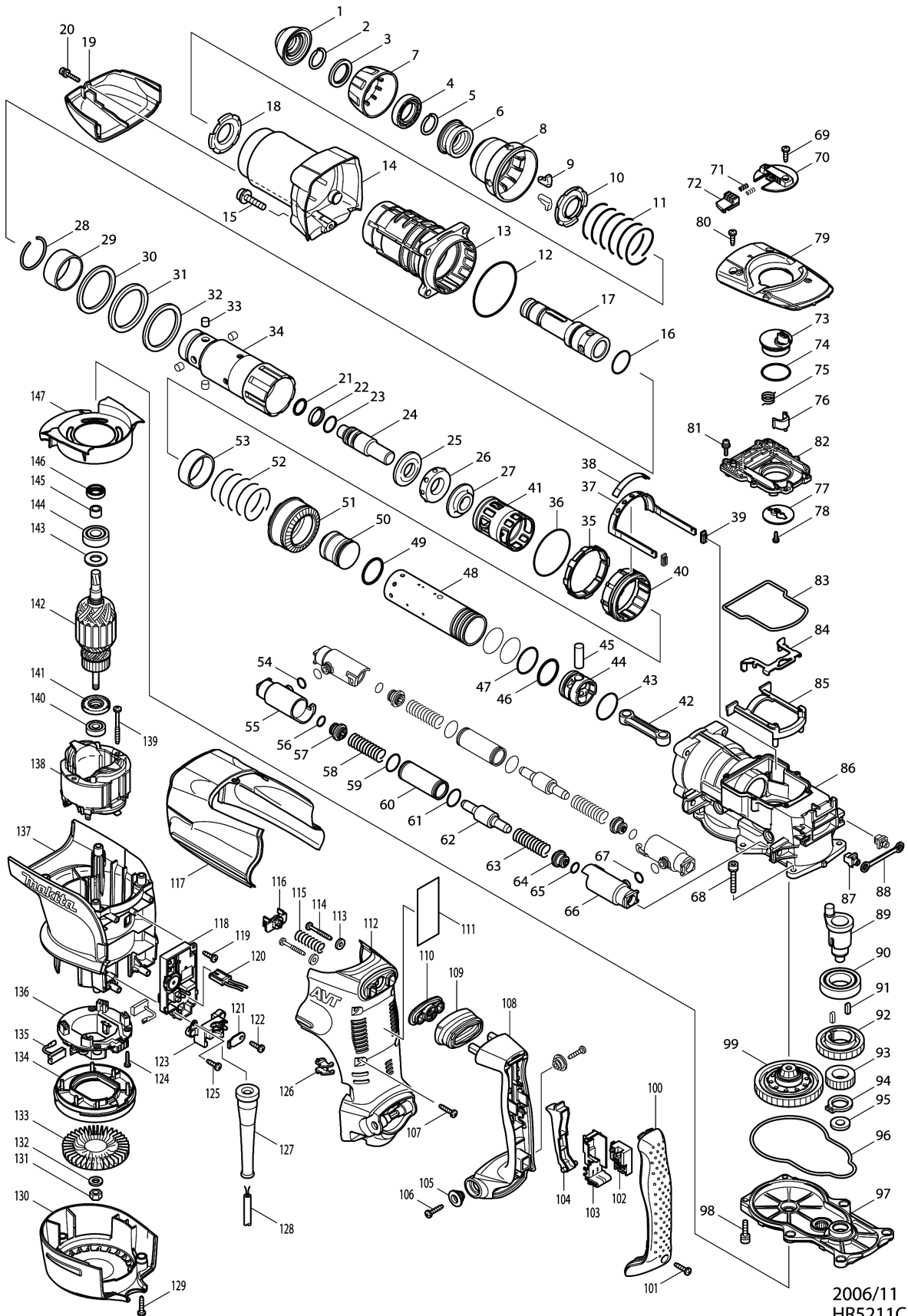


Model No.HR5211C ROTARY HAMMER 52MM



2006/11
HR5211C

Model No.HR5211C ROTARY HAMMER 52MM

Item	Parts No.	Description	I/C	Qty	New/Old	Opt. 1	Opt. 2	Note
001	286272-3	TOOL HOLDER CAP		1	*			
001-1	286285-4	TOOL HOLDER CAP	<	1				
002	233948-3	RING SPRING 25		1				
003	257280-1	RING 28		1				
004	419002-9	SPACER		1				
005	233948-3	RING SPRING 25		1				
006	324752-2	CHUCK RING		1				
007	419778-8	CHUCK COVER		1				
008	419779-6	RELEASE COVER		1				
009	310178-4	TOOL RETAINER		2				
010	345804-6	SPRING GUIDE		1				
011	233496-2	COMPRESSION SPRING 49		1				
012	213766-5	O-RING 78		1				
013	158175-0	BARREL COMPLETE		1				
C10	213576-0	OIL SEAL 45		1				
C20	214657-3	PLANE BEARING 52		1				
C30	214658-1	PLANE BEARING 57		1				
014	158179-2	BARREL COVER COMPLETE		1				
015	922456-6	HEX. SOCKET HEAD BOLT M8X35		4				
016	213492-6	O-RING 32		1				
017	324740-9	TOOL HOLDER A		1				
018	345804-6	SPRING GUIDE		1				
019	419791-6	GEAR HOUSING COVER		1				
020	922148-7	HEX. SOCKET HEAD BOLT M4X25		1				
021	213274-6	O RING 18		1				
022	213392-0	FLUORIDE RING 25		1				
023	213317-4	O RING 20		1				
024	324753-0	IMPACT BOLT		1				
025	324756-4	RING 20		1				
026	424000-0	RUBBUR RING 24		1				
027	324757-2	COLLAR SLEEVE 20		1				
028	233949-1	RING SPRING 44		1				
029	257282-7	RING 47		1				
030	267287-9	FLAT WASHER 57		1				
031	262122-6	URETAHNE RING 57		1				
032	267287-9	FLAT WASHER 57		1				
033	256265-4	PIN 10		4				
034	324741-7	TOOL HOLDER B		1				
035	419776-2	LOCK SLEEVE		1				
036	213654-6	O RING 60		1				
037	165459-9	RINK ARM		1				

Please order the parts with part number.

Print Date 2/7/2019

Model No.HR5211C ROTARY HAMMER 52MM

Item	Parts No.	Description	I/C	Qty	New/Old	Opt. 1	Opt. 2	Note
038	419775-4	LINK ARM GUIDE		1				
039	424024-6	SEAL PLATE		2				
040	313138-5	DRIVING SLEEVE		1				
041	419780-1	SLIDE SLEEVE		1	*			
041-1	419780-1	SLIDE SLEEVE	<	1				
042	419772-0	CONECTING ROD		1	*			
042-1	451516-2	CONECTING ROD	S	1				
043	213460-9	O RING 35		1				
044	419771-2	PISTON		1				
045	268121-6	PIN 12		1				
046	213482-9	O RING 34		1	*			
046-1	213296-6	O-RING 34	S	1				
047	213510-0	O RING 36		3				
048	331748-6	CYLINDER 40		1				
049	213482-9	O RING 34		1	*			
049-1	213296-6	O-RING 34	S	1				
050	324754-8	STRIKER		1				
051	227511-2	STRAIGHT BEVEL GEAR 33		1				
052	233498-8	COMPRESSION SPRING 46		1				
053	257281-9	RING 45		1				
054	213118-0	O RING 12		2				
055	318124-1	PIPE HOLDER		2				
056	213118-0	O RING 12		2				
057	419773-8	SPRING GUIDE		2				
058	233497-0	COMPRESSION SPRING 15		2				
059	213953-6	O RING 24		2				
060	331745-2	PIPE 22		2				
061	213953-6	O RING 24		2				
062	324755-6	COUNTER WEIGHT		2	*			
062-1	324755-6	COUNTER WEIGHT	O	2				
063	233497-0	COMPRESSION SPRING 15		2				
064	419773-8	SPRING GUIDE		2				
065	213118-0	O RING 12		2				
066	318124-1	PIPE HOLDER		2				
067	213118-0	O RING 12		2				
068	922361-7	HEX. SOCKET HEAD BOLT M6X40		4				
069	266192-7	TAPPING SCREW 4X14		1				
070	419020-7	CHANGE LEVER		1				
071	233436-0	COMPRESSION SPRING 3		2				
072	419777-0	LOCK BUTTON		1				
073	419784-3	CRANK LEVER		1	*			
073-1	450687-2	CRANK LEVER	S	1				

Please order the parts with part number.

Print Date 2/7/2019

Model No.HR5211C ROTARY HAMMER 52MM

Item	Parts No.	Description	I/C	Qty	New/Old	Opt. 1	Opt. 2	Note
074	213515-0	O RING 36		1	*			
074-1	213534-6	O RING 36	<	1				
075	233506-5	TORSION SPRING 16		1				
076	310207-3	LINK LEVER		1				
077	345778-1	RETAINER PLATE		1				
078	266020-6	TAPPING SCREW 4X12		1	*			
078-1	265014-8	+ PAN HEAD SCREW M4X12	S	1				
079	318129-1	CRANK CAP COVER		1				
080	266192-7	TAPPING SCREW 4X14		2				
081	911133-5	PAN HEAD SCREW M4X18		6				
082	419789-3	CRANK CAP		1				
083	421998-2	SEAL RING		1				
084	345779-9	LINK PLATE		1				
085	419781-9	LINK PLATE GUIDE		1				
086	158176-8	CRANK HOUSING COMPLETE		1				
087	419008-7	FIX GUIDE		2				
088	423366-5	CUSHION PLATE		1				
089	324739-4	CRANK SHAFT		1				
090	211418-2	BALL BEARING 6006LLU		1				
091	254229-2	KEY 5		2				
092	226646-6	HELICAL GEAR 47		1				
093	227176-0	SPUR GEAR 24		1				
094	961102-6	RETAINING RING S-22		1				
095	253843-1	FLAT WASHER 12		1				
096	421999-0	SEAL RING		1				
097	158178-4	GEAR HOUSING COMPLETE		1				
098	922341-3	HEX. SOCKET HEAD BOLT M6X25		2				
099	125374-9	TORQUE LIMITER ASS'Y		1				
100	419796-6	HANDLE COVER		1				
101	265995-6	TAPPING SCREW 4X18		1				
102	650567-4	SWITCH TG73B-1		1	*			
102-1	650676-9	SWITCH C3PA-1111	<	1				
103	154626-1	SWITCH HOLDER COMPLETE		1				
104	419025-7	SWITCH LEVER		1				
105	313124-6	SHOULDER SLEEVE 6		2				
106	266041-8	TAPPING SCREW 5X25		2				
107	266041-8	TAPPING SCREW 5X25		6				
108	419798-2	HANDLE		1				
109	424001-8	DUST COVER		1				
110	419783-5	DUST COVER SUPPORT		1				
111	863353-6	HR5211C NAME PLATE		1				
112	419797-4	HANDLE BASE		1				

Please order the parts with part number.

Print Date 2/7/2019

Model No.HR5211C ROTARY HAMMER 52MM

Item	Parts No.	Description	I/C	Qty	New/Old	Opt. 1	Opt. 2	Note
113	253807-5	FLAT WASHER 5		2				
114	266211-9	TAPPING SCREW 5X40		2				
115	233434-4	COMPRESSION SPRING 11		1				
116	419013-4	SPRING GUIDE		1				
117	419793-2	CRANK HOUSING COVER		1				
118	631727-7	CONTROLLER		1				
119	266192-7	TAPPING SCREW 4X14		1	*			
119-1	266901-4	TAPPING SCREW 4X14	<	1				
120	638510-3	LEAD UNIT		1				
121	687169-3	STRAIN RELIEF		1				
122	266192-7	TAPPING SCREW 4X14		1				
123	419024-9	CORD CLAMP BASE		1				
124	265995-6	TAPPING SCREW 4X18		4				
125	266192-7	TAPPING SCREW 4X14		1	*			
125-1	266901-4	TAPPING SCREW 4X14	<	1				
126	419774-6	LENS		1				
127	682560-0	CORD GUARD 10		1				
128	695123-3	POWER SUPPLY CORD 1.5-2-4.0		1	*			
128-1	665638-4	POWER SUPPLY CORD 1.5-2-4.0	O	1	*			
128-2	695123-3	POWER SUPPLY CORD 1.5-2-4.0	O	1				
129	266041-8	TAPPING SCREW 5X25		3				
130	419790-8	REAR COVER		1				
131	252178-7	HEX. NUT M8-12		1				
132	253165-9	FLAT WASHER 8		1				
133	240016-5	FAN 90		1				
134	419782-7	FAN GUIDE		1				
135	194412-8	CARBON BRUSH CB-171		1	*			
135-1	195844-2	CARBON BRUSH CB-175	O	1				
136	638447-4	BRUSH HOLDER UNIT		1	*			
136-1	632D00-2	BRUSH HOLDER UNIT	<	1				
137	419795-8	MOTOR HOUSING		1				
138	636303-2	FIELD 220-240V		1				
139	266095-5	TAPPING SCREW 5X55		2				
140	210059-1	BALL BEARING 6000DDW		1				
141	681642-5	INSULATION WASHER		1				
142	516993-6	ARMATURE ASS'Y 220-240V		1				
D10		INC. 140,141,145						
143	267025-9	FLAT WASHER 15		1				
144	211238-4	BALL BEARING 6202LLU		1				
145	331596-3	SLEEVE 12		1				
146	213231-4	OIL SEAL 15		1				

Please order the parts with part number.

Print Date 2/7/2019

Model No.HR5211C ROTARY HAMMER 52MM

Item	Parts No.	Description	I/C	Qty	New/Old	Opt. 1	Opt. 2	Note
147	419788-5	BAFFLE PLATE		1				
148	819362-3	CLEAR LABEL		1	*			
148-1	819362-3	CLEAR LABEL		1				
A01	158131-0	GRIP 36 COMPLETE		1				
A02	158273-0	PLASTIC CARRYING CASE COMPLETE		1	*			
C10	163467-4	LATCH		2	*			
C20	816879-7	INDICATION LABEL		1	*			
A02-1	140821-9	PLASTIC CARRYING CASE COMPLETE	O	1	*			
C10	892400-6	INDICATION LABEL		1	*			
A02-2	140768-7	PLASTIC CARRYING CASE COMPLETE	O	1	*			
C10	892400-6	INDICATION LABEL		1	*			
C20	162271-8	LATCH		2	*			
A02-3	196188-3	PLASTIC CASE SET	O	1				
C10	892400-6	INDICATION LABEL		1				
C20	162271-8	LATCH		2				
A03	181573-3	GREASE VESSEL 93G		1	*			
C10	817105-7	CAUTION LABEL		1	*			
A03-1	194683-7	GREASE VESSEL SET	O	1				
A04	134885-3	SIDE HANDLE ASS'Y		1	*			
C10	252640-2	WING NUT M8		1	*			
C20	265439-6	HEX. BOLT M8X150		1	*			
C30	317223-6	SIDE HANDLE BASE 82A		1	*			
C40	317224-4	SIDE HANDLE BASE 82B		1	*			
C50	417002-3	SIDE HANDLE CAM		2	*			
C60	417003-1	SIDE HANDLE		1	*			
C70	951166-8	SPRING PIN 5-24		1	*			
A04-1	135269-8	SIDE HANDLE 82 ASS'Y	O	1				
C10	252640-2	WING NUT M8		1				
C20	265439-6	HEX. BOLT M8X150		1				
C30	318505-9	SIDE HANDLE BASE 82A		1				
C40	318506-7	SIDE HANDLE BASE 82B		1				
C50	417002-3	SIDE HANDLE CAM		2				
C60	417003-1	SIDE HANDLE		1				
C70	951166-8	SPRING PIN 5-24		1				
A05	265701-9	THUMB SCREW M6X14		1				
A06	266163-4	CUP SQUARE NECK BOLT M8X80		1				
A07	321248-4	DEPTH GAUGE		1				
A08	344492-6	PLATE		1				
A09	345780-4	GRIP SPRING 82		1				
A10	419792-4	SIDE GRIP BASE 82		1				

Please order the parts with part number.

Print Date 2/7/2019

Model No.HR5211C ROTARY HAMMER 52MM

Item	Parts No.	Description	I/C	Qty	New/Old	Opt. 1	Opt. 2	Note
A11	443122-7	CLOTH		1				
A12	931302-2	HEX. NUT M6		1				
A13	805238-0	HR5211C MODEL NO. LABEL		1	*			
A13-1	892065-4	HR5211C PLASTIC CASE LABEL	X	2				
A15	135380-6	GRIP 36 ASSY		1				
D10		INC. A01,A05-A10,A12						

Please order the parts with part number.

Print Date 2/7/2019