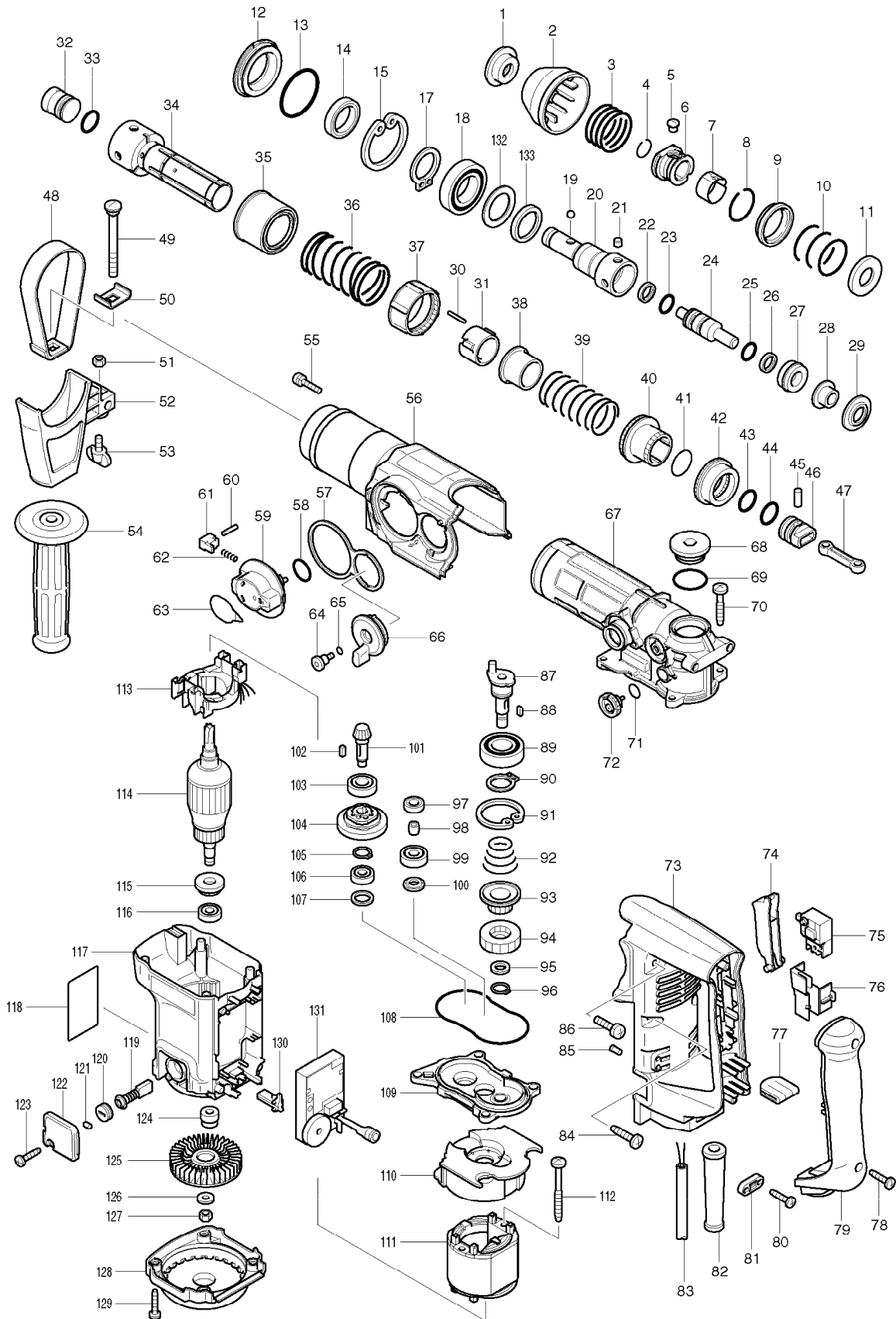


SERVICE DRAWING

MODEL NO. HR3000C



SPARE PARTS LIST

MODEL NO. HR3000C

ITEM	PART NO.	DESCRIPTION	QTY	NOTE
001	286253-7	CAP 40	1	
002	417027-7	CHUCK COVER	1	
003	233203-3	COMPRESSION SPRING 38	1	
004	231979-6	RING SPRING 17	1	
005	256447-8	PIN 8	1	
006	323820-8	CHUCK RING	1	
007	232190-3	LEAF SPRING 26	1	
008	231936-4	RING SPRING 30.5	1	
009	323819-3	SPRING GUIDE	1	
010	233234-2	COMPRESSION SPRING 35	1	
011	344841-7	GUIDE WASHER	1	
012	417015-4	SEAL CASE	1	
013	213615-6	O RING 46	1	
014	213436-6	OIL SEAL 28	1	
015	962251-2	RETAINING RING R-52	1	
017	961108-4	RETAINING RING S-28	1	
018	211422-1	BALL BEARING 60/28LLU	1	
019	216022-2	STEEL BALL 7.0	1	
020	323912-3	TOOL HOLDER	1	
021	256293-9	PIN 8	4	
022	213321-3	FLUORO CARBON RESIN RING 20	1	
023	213228-3	O RING 15	1	
024	323913-1	IMPACT BOLT	1	
025	213228-3	O RING 15	1	
026	213321-3	FLUORO CARBON RESIN RING 20	1	
027	*****	*****	***	*****
028	331555-7	SLEEVE 12	1	
029	267753-6	WASHER 19	1	
030	256176-3	PIN 2.5	3	
031	*****	*****	***	*****
032	323936-9	STRIKER	1	
033	213274-6	O RING 18	1	
034	331559-9	CYLINDER 25	1	
035	331563-8	SLEEVE 50	1	
036	233253-8	COMPRESSION SPRING 40	1	
037	417020-1	LOCK SLEEVE	1	
038	331557-3	RING 29	1	
039	233254-6	COMPRESSION SPRING 34	1	
040	331558-1	DRIVING SLEEVE	1	
041	213435-8	O RING 26	1	
042	226783-6	SPIRAL BEVEL GEAR 37	1	
043	213274-6	O RING 18	1	
044	213274-6	O RING 18	1	
045	256292-1	PIN 7	1	
046	417021-9	PISTON	1	
047	417016-2	ROD	1	
048	344811-6	GRIP SPRING 63	1	
049	266163-4	CUP SQUARE NECK BOLT M8X80	1	
050	344492-6	PLATE	1	
051	931302-2	HEX. NUT M6	1	
052	417026-9	SIDE GRIP BASE 63	1	
053	265701-9	SCREW M6X14	1	
054	152554-4	GRIP 36 COMPLETE	1	
055	911118-1	PAN HEAD SCREW M4X12	1	
056	151697-9	CRANK HOUSING COVER COMPLETE	1	
057	421704-5	DUSTPROOF WASHER	1	

SPARE PARTS LIST

MODEL NO. HR3000C

ITEM	PART NO.	DESCRIPTION	QTY	NOTE
058	213304-3	O RING 20	1	
059	151693-7	CHANGE LEVER COMPLETE	1	
060	256219-1	PIN 4	1	
061	417018-8	LOCK BUTTON	1	
062	233188-3	COMPRESSION SPRING 2.4	1	
063	816329-2	INDICATION LABEL	1	
064	265077-4	HEX. SOCKET FLAT HEAD SCREW M5	1	
065	213023-1	O RING 4	1	
066	151694-5	SHIFT LEVER COMPLETE	1	
067	151709-8	CRANK HOUSING COMPLETE	1	
068	*****	*****	***	*****
069	213406-5	O RING 30	1	
070	266173-1	TAPPING SCREW 5X30	4	
071	213070-2	O RING 10	1	
072	151758-5	SPUR GEAR 21 COMPLETE	1	
073	417014-6	HANDLE	1	
074	416284-4	SWITCH LEVER	1	
075	651922-3	SWITCH TG71B	1	
076	416126-2	LEAD GUIDE	1	
077	421583-1	SPONGE SHEET	1	
078	265995-6	TAPPING SCREW 4X18	2	
079	417028-5	HANDLE COVER	1	
080	265995-6	TAPPING SCREW 4X18	2	
081	687053-2	STRAIN RELIEF	1	
082	682560-0	CORD GUARD 10	1	
083	695123-3	POWER SUPPLY CORD 1.5-2-4.0	1	
084	266021-4	TAPPING SCREW 5X20	4	
085	416285-2	ACRYLIC PIN 5	2	
086	911233-1	PAN HEAD SCREW M5X20	2	
087	323915-7	CRANK SHAFT	1	
088	254239-9	KEY 4	2	
089	211332-2	BALL BEARING 6004LLU	1	
090	961060-6	RETAINING RING S-20	1	
091	962211-4	RETAINING RING R-42	1	
092	231991-6	CONICAL COMP. SPRING 21-31	1	
093	223130-2	CLUTCH	1	
094	226514-3	HELICAL GEAR 34	1	
095	253878-2	FLAT WASHER 10	1	
096	961006-2	RETAINING RING S-10	1	
097	213071-0	OIL SEAL 10	1	
098	331564-6	SLEEVE 10	1	
099	210058-3	BALL BEARING 6000LU	1	
100	253171-4	FLAT WASHER 10	1	
101	226782-8	SPIRAL BEVEL GEAR 10	1	
102	254202-2	KEY 4	1	
103	211138-8	BALL BEARING 6001LLU	1	
104	*****	*****	***	*****
105	961006-2	RETAINING RING S-10	1	
106	210024-0	BALL BEARING 608LLU	1	
107	253314-8	THIN WASHER 15	1	
108	421702-9	SEAL RING	1	
109	151695-3	GEAR HOUSING COMPLETE	1	
110	417010-4	BAFFLE PLATE	1	
111	634348-4	FIELD 220-240V	1	
112	266046-8	TAPPING SCREW 5X50	2	
113	632933-7	SUPPORT COMPLETE	1	

SPARE PARTS LIST

MODEL NO. HR3000C

ITEM	PART NO.	DESCRIPTION	QTY	NOTE
114	*****	*****	***	*****
115	681650-6	INSULATION WASHER	1	
116	210005-4	BALL BEARING 608DDW	1	
117	151840-0	MOTOR HOUSING COMPLETE	1	
118	851772-8	NAME PLATE HR3000C	1	
119	*****	*****	***	*****
120	643750-0	BRUSH HOLDER CAP	2	
121	263002-9	RUBBER PIN 4	2	
122	417024-3	BRUSH HOLDER COVER	2	
123	265995-6	TAPPING SCREW 4X18	2	
124	*****	*****	***	*****
125	241863-7	FAN 70	1	
126	*****	*****	***	*****
127	*****	*****	***	*****
128	417012-0	REAR COVER	1	
129	265995-6	TAPPING SCREW 4X18	4	
130	417017-0	FIX ROD	1	
131	631369-7	CONTROLLER	1	
132	267088-5	FLAT WASHER 28	1	
133	262088-0	URETHANE RING 28	1	
134	253133-2	FLAT WASHER 7	1	
A01	*****	*****	***	*****
A02	321248-4	DEPTH GAUGE	1	
A03	824559-1	PLASTIC CARRYING CASE	1	
B01	134889-5	GRIP 36 ASS'Y	1	
E01	819001-5	MAKITA LABEL	2	