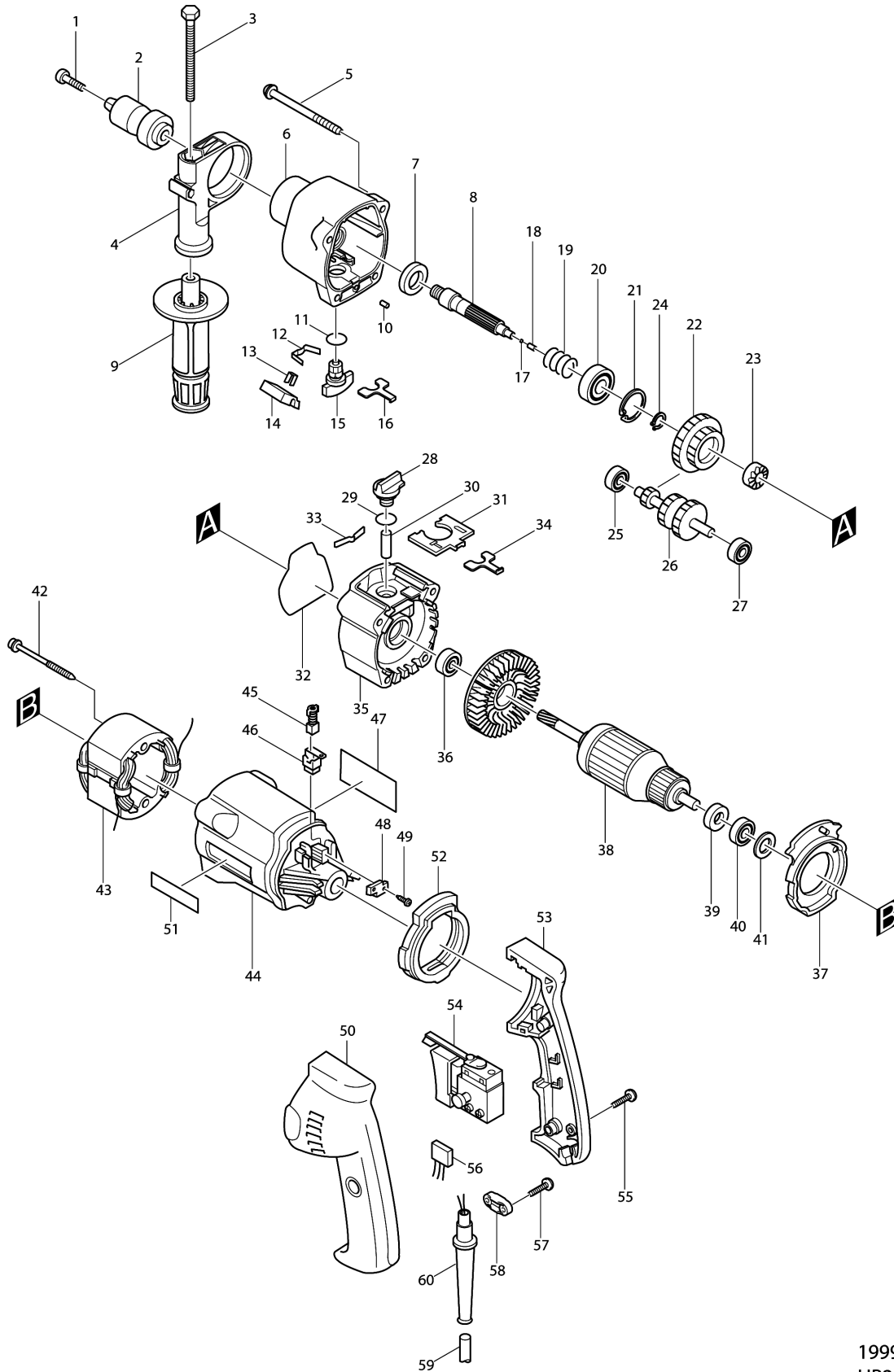


Model No.HP2033 2-SPEED HAMMER DRILL 20MM



1999/10
HP2033

Model No.HP2033 2-SPEED HAMMER DRILL 20MM

Item	Parts No.	Description	I/C	Qty	New/Old	Opt. 1	Opt. 2	Note
001A_	251464-3	- FLAT HEAD SCREW M6X22		1	*			
002	192664-5	KEYLESS DRILL CHUCK		1	*			
002-1	194254-0	KEYLESS DRILL CHUCK SET	<	1				
003	921919-9	HEX. BOLT M8X110		1	*			
003-1	921923-8	HEX. BOLT M8X120	O	1				
004	415485-1	GRIP BASE		1				
005A_	266108-2	TAPPING SCREW FLANGE PF 5X70		4	*			
005A1	266038-7	TAPPING SCREW 5X70	O	4				
006	317111-7	GEAR HOUSING		1				
007	213314-0	OIL SEAL 19		1				
008	323854-1	SPINDLE		1				
009A_	152489-9	GRIP 36 COMPLETE		1				
010	256251-5	PIN 4		1				
011	213162-7	O RING 14		1				
012	232143-2	LEAF SPRING		1				
013	344179-0	CHANGE PLATE		1				
014	415621-9	RACK 12		1				
015	415620-1	CHANGE LEVER B		1				
016	344178-2	LOCK PLATE		1				
017	216001-0	STEEL BALL 3.5		1				
018	256251-5	PIN 4		1				
019	233091-8	COMPRESSION SPRING 16		1				
020	211206-7	BALL BEARING 6202LLB		1				
021	962153-2	RETAINING RING R-35		1				
022	226289-4	SPUR GEAR 27-38		1				
023	223104-3	CAM A		1				
024	961055-9	RETAINING RING S-15		1				
025	211014-6	BALL BEARING 606		1				
026	226818-3	GEAR COMPLETE 8-19-25		1				
027	211014-6	BALL BEARING 606		1				
028	415619-6	CHANGE LEVER A		1				
029	213162-7	O RING 14		1				
030	322787-7	CHANGE PIN 8		1				
031	416747-0	CAM HOUSING COVER		1				
032	213759-2	O RING 72		1				
033	232053-3	LEAF SPRING		1				
034	344178-2	LOCK PLATE		1				
035	151550-9	CAM HOUSING COMPLETE		1				
036	210005-4	BALL BEARING 608DDW		1				
037	415618-8	BAFFLE PLATE		1				
038B_	517103-8	ARMATURE ASS'Y 220V		1				
D10		INC. 36,39,40,61						

Please order the parts with part number.

Print Date 27/6/2019

Model No.HP2033 2-SPEED HAMMER DRILL 20MM

Item	Parts No.	Description	I/C	Qty	New/Old	Opt. 1	Opt. 2	Note
039	681614-0	INSULATION WASHER		1				
040	211026-9	BALL BEARING 627LLB		1	*			
040-1	210025-8	BALL BEARING 627LLB	O	1				
041	253707-9	FLAT WASHER 16		1				
042A_	266113-9	TAPPING SCREW FLANGE PF 4X65		2	*			
042A1	266060-4	TAPPING SCREW 4X65	O	2				
043B_	633413-6	FIELD 220V		1				
044	415601-5	MOTOR HOUSING		1				
045	191962-4	CARBON BRUSH CB-419		1				
046	643923-5	BRUSH HOLDER		2				
047A_	851534-4	NAME PLATE HP2033		1				
048	415622-7	BRUSH HOLDER PLATE		2				
049	266007-8	TAPPING SCREW BIND PT 3X10		4				
050	182724-1	HANDLE SET		1	*			
D10		INC. 53			*			
050-1	182724-1	HANDLE SET	X	1				
D10		INC. 53						
051	819063-3	MAKITA LABEL		1				
052	421505-1	CUSHION RUBBER		1				
053	182724-1	HANDLE SET		1	*			
D10		INC. 50			*			
053-1	182724-1	HANDLE SET	X	1				
D10		INC. 50						
054	651952-4	SWITCH 8653C721AD 200V-240V		1	*			
054-1	651987-5	SWITCH	X	1	*			
054-2	651987-5	SWITCH	X	1	*			
054-3	651986-7	SWITCH TG803TLB-1	O	1				
055A_	266121-0	TAPPING SCREW FLANGE PF 4X18		5	*			
055A1	265995-6	TAPPING SCREW 4X18	O	5				
056B_	645256-4	NOISE SUPPRESSOR		1	*			
056B1	645144-5	NOISE SUPPRESSOR	O	1				
057A_	266121-0	TAPPING SCREW FLANGE PF 4X18		2	*			
057A1	265995-6	TAPPING SCREW 4X18	O	2				
058B_	687052-4	STRAIN RELIEF		1				
059F_	665394-6	POWER SUPPLY CORD 1.0-2-2.5		1				
060A_	682502-4	CORD GUARD 8-85		1				
061	241850-6	FAN 60		1				
A01	415486-9	DEPTH GAUGE		1				
A02A_	824485-4	PLASTIC CARRYING CASE		1				
C10	183091-7	SLIDE LATCH RL SET		1				

Please order the parts with part number.

Print Date 27/6/2019