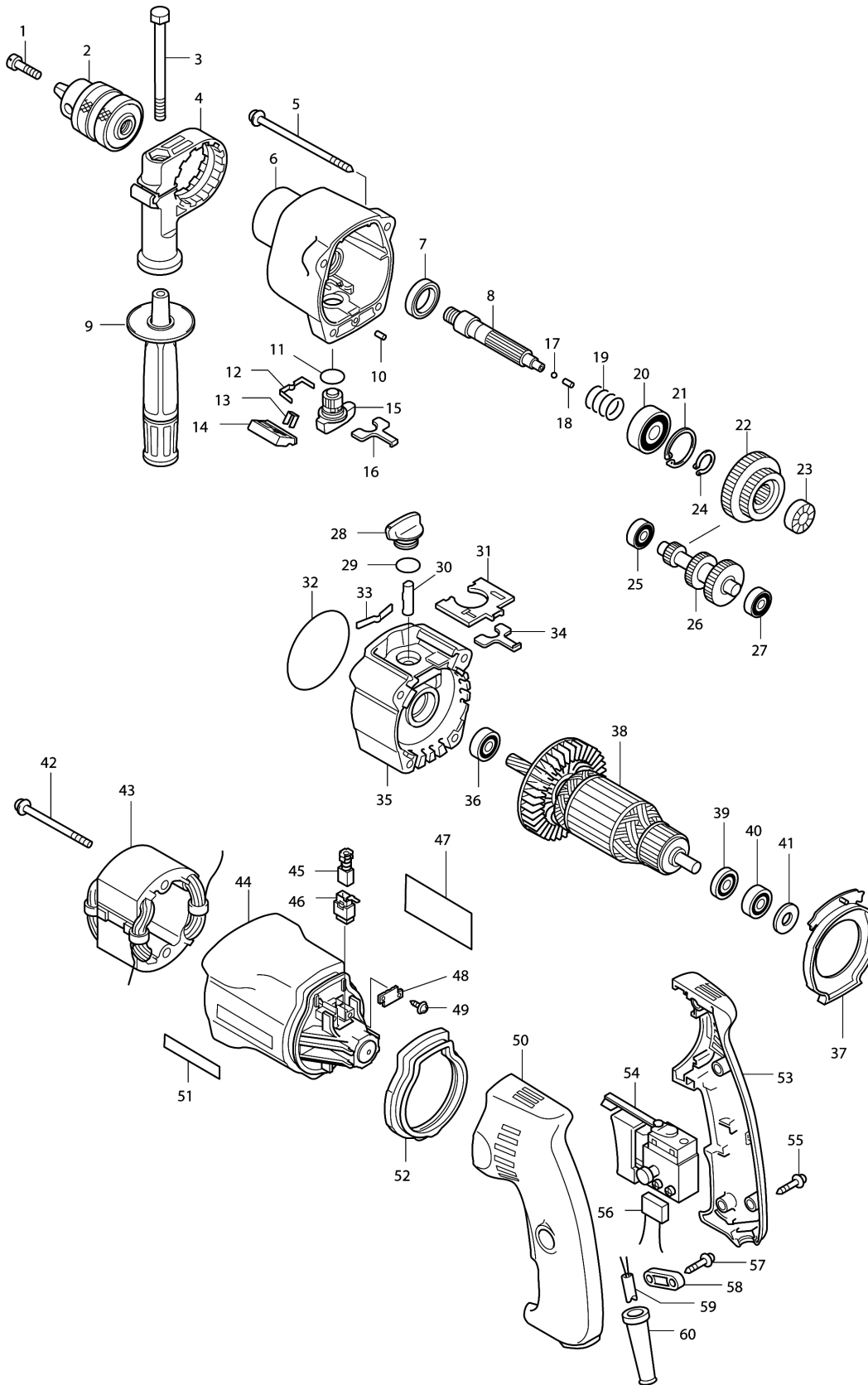


Model No.HP2032 2-SPEED HAMMER DRILL 20MM



Model No.HP2032 2-SPEED HAMMER DRILL 20MM

| Item | Parts No. | Description | I/C | Qty | New/Old | Opt. 1 | Opt. 2 | Note |
|-------|-----------|------------------------------|-----|-----|---------|--------|--------|------|
| 001A_ | 251460-1 | - FLAT HEAD SCREW M6X22 | | 1 | * | | | |
| 001A1 | 251469-3 | - FLAT HEAD SCREW M6X25 | < | 1 | | | | |
| 002B_ | 763105-4 | DRILL CHUCK S13 | | 1 | * | | | |
| 002B1 | 192552-6 | DRILL CHUCK S13 | | 1 | | | | |
| 003 | 921919-9 | HEX. BOLT M8X110 | | 1 | * | | | |
| 003-1 | 921923-8 | HEX. BOLT M8X120 | O | 1 | | | | |
| 004 | 415485-1 | GRIP BASE | | 1 | | | | |
| 005A_ | 266108-2 | TAPPING SCREW FLANGE PF 5X70 | | 4 | * | | | |
| 005A1 | 266038-7 | TAPPING SCREW 5X70 | O | 4 | | | | |
| 006 | 317111-7 | GEAR HOUSING | | 1 | | | | |
| 007 | 213314-0 | OIL SEAL 19 | | 1 | | | | |
| 008 | 323854-1 | SPINDLE | | 1 | | | | |
| 009A_ | 152489-9 | GRIP 36 COMPLETE | | 1 | | | | |
| 010 | 256251-5 | PIN 4 | | 1 | | | | |
| 011 | 213162-7 | O RING 14 | | 1 | | | | |
| 012 | 232143-2 | LEAF SPRING | | 1 | | | | |
| 013 | 344179-0 | CHANGE PLATE | | 1 | | | | |
| 014 | 415621-9 | RACK 12 | | 1 | | | | |
| 015 | 415620-1 | CHANGE LEVER B | | 1 | | | | |
| 016 | 344178-2 | LOCK PLATE | | 1 | | | | |
| 017 | 216001-0 | STEEL BALL 3.5 | | 1 | | | | |
| 018 | 256251-5 | PIN 4 | | 1 | | | | |
| 019 | 233091-8 | COMPRESSION SPRING 16 | | 1 | | | | |
| 020 | 211206-7 | BALL BEARING 6202LLB | | 1 | | | | |
| 021 | 962153-2 | RETAINING RING R-35 | | 1 | | | | |
| 022 | 226289-4 | SPUR GEAR 27-38 | | 1 | | | | |
| 023 | 223104-3 | CAM A | | 1 | | | | |
| 024 | 961055-9 | RETAINING RING S-15 | | 1 | | | | |
| 025 | 211014-6 | BALL BEARING 606 | | 1 | | | | |
| 026 | 226818-3 | GEAR COMPLETE 8-19-25 | | 1 | | | | |
| 027 | 211014-6 | BALL BEARING 606 | | 1 | | | | |
| 028 | 415619-6 | CHANGE LEVER A | | 1 | | | | |
| 029 | 213162-7 | O RING 14 | | 1 | | | | |
| 030 | 322787-7 | CHANGE PIN 8 | | 1 | | | | |
| 031 | 416747-0 | CAM HOUSING COVER | | 1 | | | | |
| 032 | 213759-2 | O RING 72 | | 1 | | | | |
| 033 | 232053-3 | LEAF SPRING | | 1 | | | | |
| 034 | 344178-2 | LOCK PLATE | | 1 | | | | |
| 035 | 151550-9 | CAM HOUSING COMPLETE | | 1 | | | | |
| 036 | 210005-4 | BALL BEARING 608DDW | | 1 | | | | |
| 037 | 415618-8 | BAFFLE PLATE | | 1 | | | | |
| 038B_ | 517103-8 | ARMATURE ASS'Y 220V | | 1 | | | | |

Please order the parts with part number.

Print Date 27/6/2019

Model No.HP2032 2-SPEED HAMMER DRILL 20MM

| Item | Parts No. | Description | I/C | Qty | New/Old | Opt. 1 | Opt. 2 | Note |
|-------|-----------|------------------------------|-----|-----|---------|--------|--------|------|
| C10 | 241850-6 | FAN 60 | | 1 | | | | |
| D10 | | INC. 36,39,40 | | | | | | |
| 039 | 681614-0 | INSULATION WASHER | | 1 | | | | |
| 040 | 211026-9 | BALL BEARING 627LLB | | 1 | * | | | |
| 040-1 | 210025-8 | BALL BEARING 627LLB | O | 1 | | | | |
| 041 | 253707-9 | FLAT WASHER 16 | | 1 | | | | |
| 042A_ | 266113-9 | TAPPING SCREW FLANGE PF 4X65 | | 2 | * | | | |
| 042A1 | 266060-4 | TAPPING SCREW 4X65 | O | 2 | | | | |
| 043B_ | 633413-6 | FIELD 220V | | 1 | | | | |
| 044 | 415601-5 | MOTOR HOUSING | | 1 | | | | |
| 045 | 191962-4 | CARBON BRUSH CB-419 | | 1 | | | | |
| 046 | 643923-5 | BRUSH HOLDER | | 2 | | | | |
| 047A_ | 851533-6 | NAME PLATE HP2032 | | 1 | | | | |
| 048 | 415622-7 | BRUSH HOLDER PLATE | | 2 | | | | |
| 049 | 266007-8 | TAPPING SCREW BIND PT 3X10 | | 4 | | | | |
| 050 | 182724-1 | HANDLE SET | | 1 | * | | | |
| D10 | | INC. 53 | | | * | | | |
| 050-1 | 182724-1 | HANDLE SET | X | 1 | | | | |
| D10 | | INC. 53 | | | | | | |
| 051 | 819063-3 | MAKITA LABEL | | 1 | | | | |
| 052 | 421505-1 | CUSHION RUBBER | | 1 | | | | |
| 053 | 182724-1 | HANDLE SET | | 1 | * | | | |
| D10 | | INC. 50 | | | * | | | |
| 053-1 | 182724-1 | HANDLE SET | X | 1 | | | | |
| D10 | | INC. 50 | | | | | | |
| 054 | 651952-4 | SWITCH 8653C721AD 200V-240V | | 1 | * | | | |
| 054-1 | 651987-5 | SWITCH | X | 1 | * | | | |
| 054-2 | 651987-5 | SWITCH | X | 1 | * | | | |
| 054-3 | 651986-7 | SWITCH TG803TLB-1 | O | 1 | | | | |
| 055A_ | 266121-0 | TAPPING SCREW FLANGE PF 4X18 | | 5 | * | | | |
| 055A1 | 265995-6 | TAPPING SCREW 4X18 | O | 5 | | | | |
| 056B_ | 645256-4 | NOISE SUPPRESSOR | | 1 | * | | | |
| 056B1 | 645144-5 | NOISE SUPPRESSOR | O | 1 | | | | |
| 057A_ | 266121-0 | TAPPING SCREW FLANGE PF 4X18 | | 2 | * | | | |
| 057A1 | 265995-6 | TAPPING SCREW 4X18 | O | 2 | | | | |
| 058B_ | 687052-4 | STRAIN RELIEF | | 1 | | | | |
| 059F_ | 665394-6 | POWER SUPPLY CORD 1.0-2-2.5 | | 1 | | | | |
| 060A_ | 682549-8 | CORD GUARD 8-85 | | 1 | | | | |
| A01 | 415486-9 | DEPTH GAUGE | | 1 | | | | |
| A02B_ | 763430-3 | CHUCK KEY S13 | | 1 | * | | | |

Please order the parts with part number.

Print Date 27/6/2019

Model No.HP2032 2-SPEED HAMMER DRILL 20MM

| Item | Parts No. | Description | I/C | Qty | New/Old | Opt. 1 | Opt. 2 | Note |
|-------|-----------|-----------------------|-----|-----|---------|--------|--------|------|
| A02B1 | 763440-0 | CHUCK KEY S13 | O | 1 | | | | |
| A03A_ | 824485-4 | PLASTIC CARRYING CASE | | 1 | | | | |
| C10 | 183091-7 | SLIDE LATCH RL SET | | 1 | | | | |
| E03 | 654128-2 | EARTH TERMINAL | | 1 | | | | |
| E04A_ | 654556-1 | CONNECTOR | | 1 | | | | |

Please order the parts with part number.

Print Date 27/6/2019