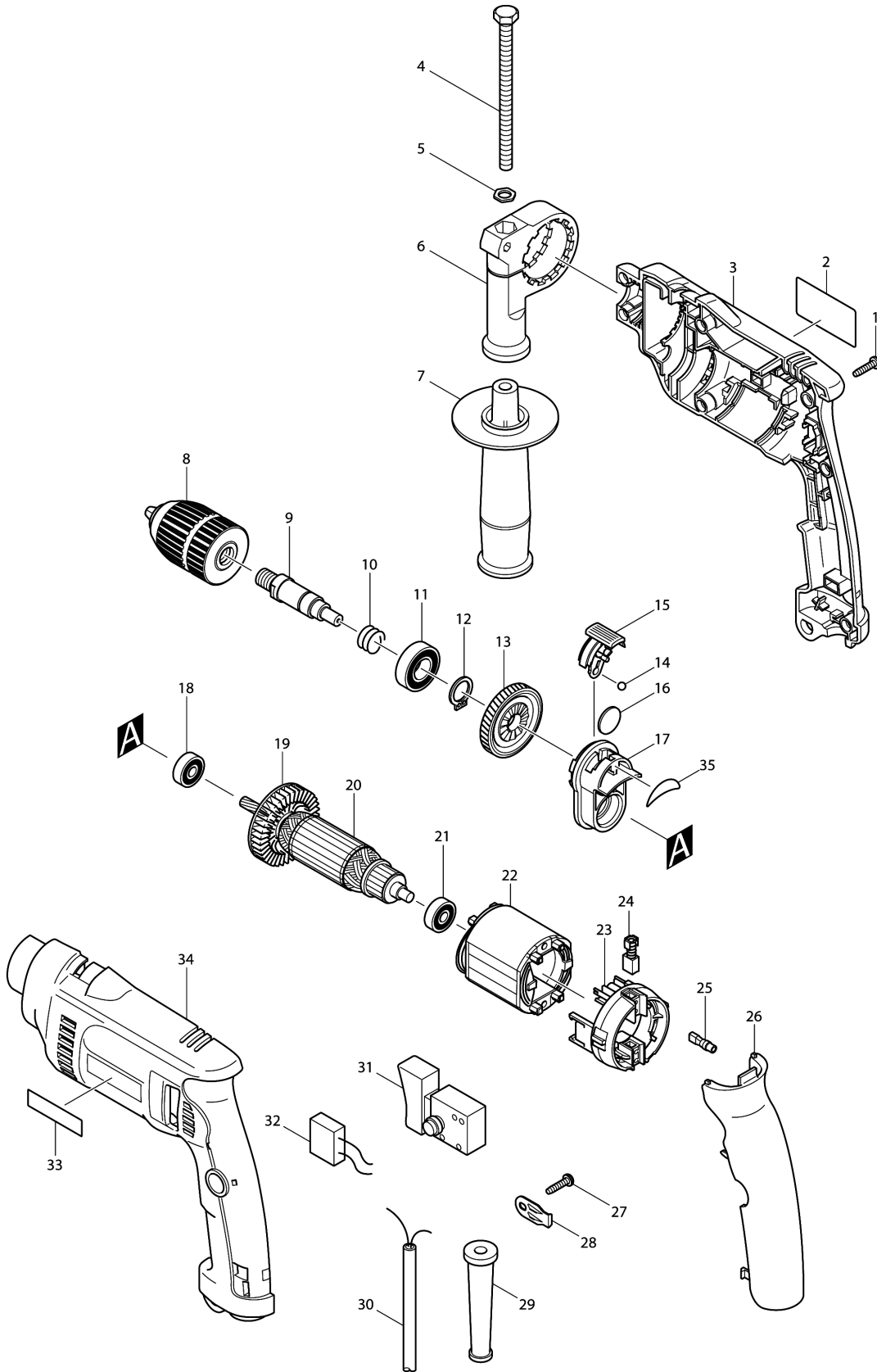


Model No.HP1621 HAMMER DRILL 16MM



Model No.HP1621 HAMMER DRILL 16MM

Item	Parts No.	Description	I/C	Qty	New/Old	Opt. 1	Opt. 2	Note
001	265995-6	TAPPING SCREW 4X18		7				
002	850776-7	NAME PLATE HP1621		1				
003	183711-3	HOUSING SET		1				
C10	345399-9	PLATE		2				
D10		INC. 33,34						
004	921923-8	HEX. BOLT M8X120		1	*			
004-1	265583-9	HEX. BOLT M8X120	O	1				
005	345280-4	HEX. WASHER		1				
006	417630-4	GRIP BASE		1				
007	152489-9	GRIP 36 COMPLETE		1				
008	192692-0	KEYLESS DRILL CHUCK		1	*			
008-1	194073-4	KEYLESS DRILL CHUCK	O	1	*			
008-2	192692-0	KEYLESS DRILL CHUCK	O	1	*			
008-3	196193-0	KEYLESS DRILL CHUCK	O	1	*			
008-4	196564-1	KEYLESS DRILL CHUCK	O	1	*			
008-5	196193-0	KEYLESS DRILL CHUCK	<	1				
009	324397-6	SPINDLE		1				
010	233389-3	COMPRESSION SPRING 15		1				
011	211201-7	BALL BEARING 6002LLB		1				
012	961055-9	RETAINING RING S-15		1				
013	226579-5	HELICAL GEAR 45		1				
014	216018-3	STEEL BALL 5.0		1				
015	418319-7	CHANGE LEVER		1				
016	345354-1	PLATE 19		1				
017	153695-9	CAM HOLDER COMPLETE		1	*			
017-1	153831-7	CAM HOLDER COMPLETE	S	1	*			
017-2	141165-0	CAM HOLDER COMPLETE	<	1				
018	210023-2	BALL BEARING 627DDW		1				
019	240067-8	FAN 55		1				
020	517458-1	ARMATURE ASS'Y 220-240V		1				
D10		INC. 18,19,21						
021	210023-2	BALL BEARING 627DDW		1	*			
021-1	211028-5	BALL BEARING 627LB	<	1				
022	633568-7	FIELD 220-240V		1				
023	638237-5	BRUSH HOLDER UNIT		1				
024	191962-4	CARBON BRUSH CB-419		1				
025	686038-5	RECEPTACLE SLEEVE		2				
026	418320-2	HANDLE COVER		1				
027	265995-6	TAPPING SCREW 4X18		1				
028	687169-3	STRAIN RELIEF		1				
029	682502-4	CORD GUARD 8-85		1				
030	666053-5	POWER SUPPLY CORD 1.0-2-2.0		1				

Please order the parts with part number.

Print Date 27/6/2019

Model No.HP1621 HAMMER DRILL 16MM

Item	Parts No.	Description	I/C	Qty	New/Old	Opt. 1	Opt. 2	Note
031	650543-8	SWITCH TG843TB-1		1				
032	645146-1	NOISE SUPPRESSOR		1				
033	819063-3	MAKITA LABEL		1				
034	183711-3	HOUSING SET		1				
C10	345399-9	PLATE		2				
D10		INC. 3,33						
035	345400-0	SPACER		1	*			
A01	324219-0	DEPTH GAUGE		1				
A02B	182992-6	PLASTIC CARRYING CASE SET		1	*			
C10	819143-5	MAKITA LABEL		1	*			
C20	183091-7	SLIDE LATCH RL SET		1	*			
A02-1B	824724-2	PLASTIC CARRYING CASE	O	1	*			
C10	183091-7	SLIDE LATCH RL SET		1	*			
A02-2B	824923-6	PLASTIC CARRYING CASE	O	1				

Please order the parts with part number.

Print Date 27/6/2019