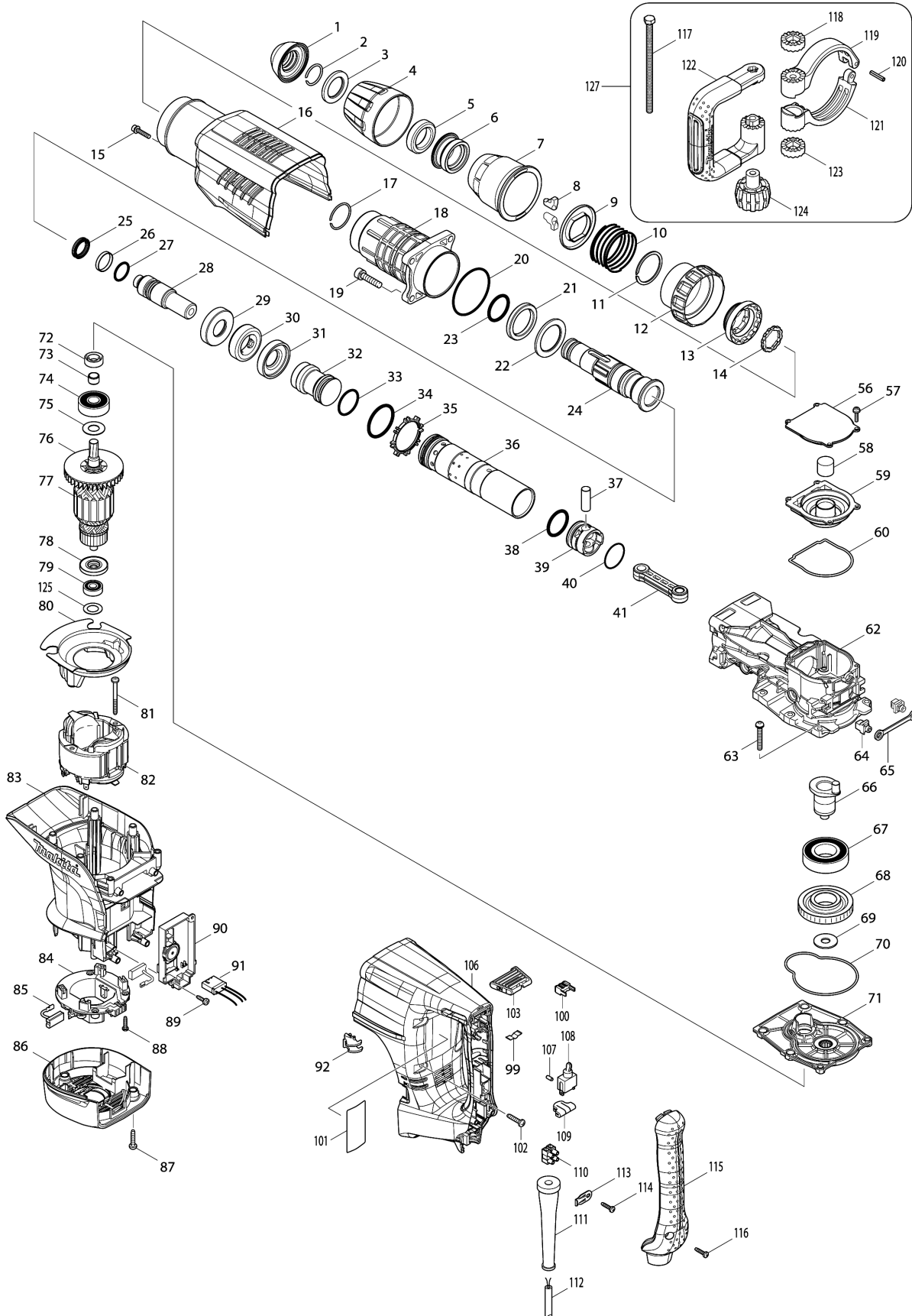


Model No.HM1203C DEMOLITION HAMMER



Model No.HM1203C DEMOLITION HAMMER

Item	Parts No.	Description	I/C	Qty	New/Old	Opt. 1	Opt. 2	Note
001	424165-8	TOOL HOLDER CAP		1				
002	233973-4	RING SPRING 26		1				
003	267386-7	FLAT WASHER 30		1				
004	450894-7	CHUCK COVER		1				
005	262147-0	RUBBER RING 30		1				
006	324987-5	CHUCK RING		1				
007	450895-5	RELEASE COVER		1				
008	310279-8	TOOL RETAINER		2				
009	346015-6	SPRING GUIDE		1				
010	234086-4	COMPRESSION SPRING 56		1				
011	961232-3	RETAINING RING WR-45		1				
012	450893-9	CHANGE RING COVER		1				
013	324969-7	CHANGE RING		1				
014	324988-3	LOCK RING		1				
015	922243-3	HEX. SOCKET HEAD BOLT M5X25		1				
016	450903-2	HOUSING COVER		1				
017	233970-0	RING SPRING 35		1				
018	158858-2	BARREL COMPLETE		1				
019	922456-6	HEX. SOCKET HEAD BOLT M8X35		4				
020	213720-9	O RING 67		1				
021	262148-8	RUBBER RING 39		1				
022	267387-5	FLAT WASHER 39		1				
023	213079-4	O-RING 35.5		1				
024	324985-9	TOOL HOLDER		1				
025	213980-3	X-RING 21		1				
026	213431-6	FLUORIDE RING 28		1				
027	213394-6	O RING 23		1				
028	324990-6	IMPACT BOLT		1				
029	324993-0	SHOULDER SLEEVE		1				
030	262149-6	RUBBER RING 24		1				
031	324993-0	SHOULDER SLEEVE		1				
032	324991-4	STRIKER		1	*			
032-1	326002-1	STRIKER	O	1				
033	213499-2	O-RING 31.5		1				
034	213581-7	O-RING 44		1				
035	450889-0	ONE WAY VALVE GUIDE		1				
036	331848-2	CYLINDER 40		1	*			
036-1	331925-0	CYLINDER 40	O	1				
037	268121-6	PIN 12		1				
038	213499-2	O-RING 31.5		1				
039	450961-8	PISTON		1				

Model No.HM1203C DEMOLITION HAMMER

Item	Parts No.	Description	I/C	Qty	New/Old	Opt. 1	Opt. 2	Note
040	213149-9	O RING 35		1				
041	450890-5	CONNECTING ROD		1				
056	450899-7	CRANK CAP COVER		1				
057	911133-5	PAN HEAD SCREW M4X18		4				
058	443127-7	FILTER		1				
059	450898-9	CRANK CAP		1				
060	424166-6	SEAL RING		1				
062	318364-1	CRANK HOUSING		1				
063	266482-8	H.S.BUTTON HEAD SCREW M6X40		6				
064	419008-7	FIX GUIDE		2				
065	423366-5	CUSHION PLATE		1				
066	324994-8	CRANK SHAFT		1				
067	211424-7	BALL BEARING 6206LLU		1				
068	226691-1	HELICAL GEAR 57		1				
069	267398-0	FLAT WASHER 12		1				
070	424167-4	SEAL RING		1				
071	158859-0	GEAR HOUSING COMPLETE		1				
072	213231-4	OIL SEAL 15		1				
073	331596-3	SLEEVE 12		1				
074	211249-9	BALL BEARING 6302LLU		1				
075	267397-2	FLAT WASHER 15		1				
076	240003-4	FAN 80		1				
077	517818-7	ARMATURE ASS'Y 220-240V		1				
D10		INC. 73-76,78,79						
078	681642-5	INSULATION WASHER		1				
079	210059-1	BALL BEARING 6000DDW		1	*			
079-1	211289-7	BALL BEARING 6000DDW	O	1				
080	450900-8	BAFFLE PLATE		1				
081	266095-5	TAPPING SCREW 5X55		2				
082	636303-2	FIELD 220-240V		1				
083	450904-0	MOTOR HOUSING		1				
084	638447-4	BRUSH HOLDER UNIT		1	*			
084-1	632D00-2	BRUSH HOLDER UNIT	<	1				
085	194412-8	CARBON BRUSH CB-171		1	*			
085-1	195844-2	CARBON BRUSH CB-175	<	1				
086	450901-6	REAR COVER		1				
087	266041-8	TAPPING SCREW 5X25		3				
088	265995-6	TAPPING SCREW 4X18		4				
089	266192-7	TAPPING SCREW 4X14		2	*			
089-1	266300-0	TAPPING SCREW 4X18	<	2	*			
089-2	265678-8	TAPPING SCREW 4X18	O	2				
090	631869-7	CONTROLLER		1				

Please order the parts with part number.

Print Date 30/3/2020

Model No.HM1203C DEMOLITION HAMMER

Item	Parts No.	Description	I/C	Qty	New/Old	Opt. 1	Opt. 2	Note
091	638650-7	LEAD UNIT		1				
092	419010-0	LENS		1				
099	232209-8	LEAF SPRING		1				
100	450891-3	LEVER STOPPER		1				
101	866622-4	HM1203C NAME PLATE		1	*			
101-1	814S44-6	HM1203C NAME PLATE	<	1				
102	266041-8	TAPPING SCREW 5X25		6				
103	450897-1	SLIDE LEVER		1				
106	450907-4	HANDLE		1				
107	263027-3	RUBBER PIN 4		1				
108	651423-1	SWITCH		1				
109	423379-6	SPONGE SHEET		1				
110	654531-7	TERMINAL BLOCK 2P		1				
111	682560-0	CORD GUARD 10		1				
112	695123-3	POWER SUPPLY CORD 1.5-2-4.0		1				
113	687169-3	STRAIN RELIEF		1				
114	265995-6	TAPPING SCREW 4X18		1				
115	450908-2	HANDLE COVER		1				
116	265995-6	TAPPING SCREW 4X18		2				
117	265439-6	HEX. BOLT M8X150		1				
118	417002-3	SIDE HANDLE CAM		1				
119	318505-9	SIDE HANDLE BASE 82A		1				
120	951166-8	SPRING PIN 5-24		1				
121	318506-7	SIDE HANDLE BASE 82B		1				
122	417003-1	SIDE HANDLE		1				
123	417002-3	SIDE HANDLE CAM		1				
124	252640-2	WING NUT M8		1				
125	267164-5	FLAT WASHER 15		1				
127	135269-8	SIDE HANDLE 82 ASS'Y		1				
D10		INC. 117-124						
128	801Y75-0	CLEAR LABEL		1				
A01	A-80787	BULL POINT 280 SDS-MAX		1				
A02	194659-4	GREASE VESSEL SET		1	*			
A02-1	194683-7	GREASE VESSEL SET	O	1	*			
A02-2	198993-4	GREASE VESSEL SET	<	1				
A03	443122-7	CLOTH		1				
A04	824876-9	PLASTIC CARRYING CASE		1	*			
C10	162271-8	LATCH		2	*			
C20	325637-5	SHAFT		1	*			
C30	450990-1	HANDLE		1	*			
A04-1	143519-7	PLASTIC CASE COMPLETE	<	1				
C10	162271-8	LATCH		2				

Please order the parts with part number.

Print Date 30/3/2020

Model No.HM1203C DEMOLITION HAMMER

Item	Parts No.	Description	I/C	Qty	New/Old	Opt. 1	Opt. 2	Note
C20	325637-5	SHAFT		1				
C30	450990-1	HANDLE		1				
C40	835200-1	SPONGE 40-40		3				
A05	809279-8	HM1203C PLASTIC CASE LABEL		2	*			
A05-1	801Y47-5	HM1203C PLASTIC CASE LABEL	<	2				

Please order the parts with part number.

Print Date 30/3/2020