



Original Instruction Manual
Originalbruksanvisning
Original bruksanvisning
Alkuperäinen käyttöohje
Orīginālā instrukciju rokasgrāmata
Originali naudojimo instrukcija
Algne kasutusjuhend
Оригинальное руководство по эксплуатации

⚠ Warning:

Read this instruction manual carefully before putting the Multi Function Power Head into operation and strictly observe the safety regulations! Save instruction manual for future reference.

⚠ Varning:

Läs igenom bruksanvisningen noggrant innan du använder det multifunktionella verktygshuvudet och följ säkerhetsanvisningarna noga! Spara bruksanvisningen för framtida bruk.

⚠ Advarsel:

Les denne bruksanvisningen nøye før du tar i bruk det flerfunksjonelle motorhodet. Følg sikkerhetsanvisningene nøye! Ta vare på bruksanvisningen for fremtidig referanse.

⚠ Varoitus:

Lue tämä käyttöohje huolellisesti ennen monitoimimootoriyksikön ottamista käyttöön ja noudata turvamääräyksiä tarkasti. Säilytä käyttöohje tulevaa tarvetta varten.

⚠ Brīdinājums:

Pirms daudzfunkciju instrumentgalvas ekspluatācijas rūpīgi izlasiet šo lietošanas rokasgrāmatu un pilnībā ievērojiet drošības noteikumus! Saglabājiet lietošanas rokasgrāmatu turpmākām uzziņām.

⚠ Įspėjimas:

Prieš pradėdami naudoti daugiafunkcę benzininę galvutę, atidžiai perskaitykite visą naudojimo instrukciją ir griežtai laikykitės saugos taisyklių! Išsaugokite naudojimo instrukciją ateičiai.

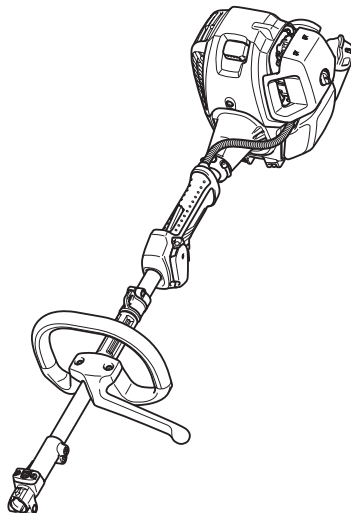
⚠ Hoiatus:

Enne universaalse mootorajami kasutamist lugege hoolikalt käesolevat kasutusjuhendit ja järgige täpselt kõiki ohutuseeskirju! Hoidke kasutusjuhend alles, et seda vajaduse korral uuesti lugeda.

⚠ Предостережение:

Внимательно ознакомьтесь с данным руководством, прежде чем приступать к эксплуатации многофункционального бензомоторного привода для садовых насадок, и строго соблюдайте правила техники безопасности! Сохраните инструкцию по эксплуатации для дальнейшего использования.

EX2650LH



Thank you very much for purchasing the MAKITA Multi Function Power Head. We are pleased to recommend to you the MAKITA Multi Function Power Head which is the result of a long development programme and many years of knowledge and experience.
















Please read this booklet which refers in detail to the various points that will demonstrate its outstanding performance. This will assist you to obtain the best possible result from your MAKITA Multi Function Power Head.



Table of Contents	Page
Symbols.....	2
Safety instructions.....	3
Technical data.....	6
Approved attachments.....	7
Designation of parts.....	8
Mounting of handle.....	9
Mounting attachment.....	9
Disassembling.....	10
Before start of operation.....	11
Correct handling of machine.....	13
Points in operation and how to stop.....	13
Servicing instructions.....	16
Storage.....	19

SYMBOLS

You will note the following symbols when reading the instructions manual.

	Read instruction manual and follow the warnings and safety precautions!		Wear protective helmet, eye and ear protection!
	Take particular care and attention!		Fuel (Gasoline)
	Forbidden!		Engine-manual start
	No smoking!		Emergency stop
	No open flame!		First aid
	Protective gloves must be worn!		ON/START
	Wear sturdy boots with nonslip soles. Steeltod safety boots are recommended!		OFF/STOP
	Keep the area of operation clear of all persons and pets!		

Intended use of the machine

This multi function power head is intended for driving an approved attachment listed in this instruction manual. Never use the machine for the other purpose.

SAFETY INSTRUCTIONS

General instructions

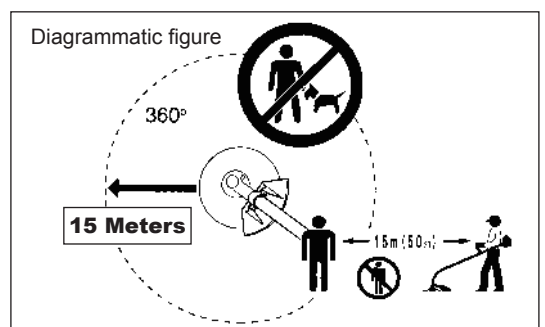
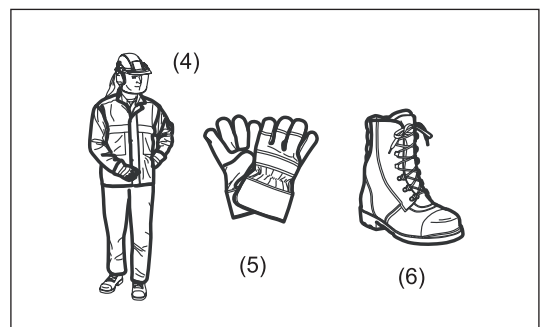
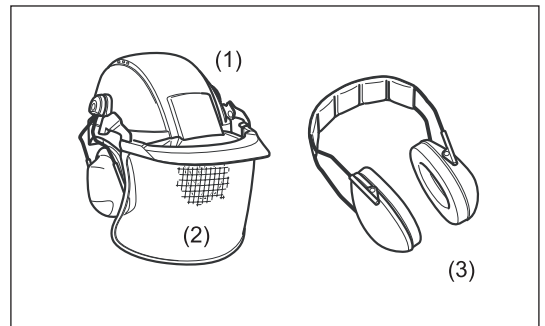
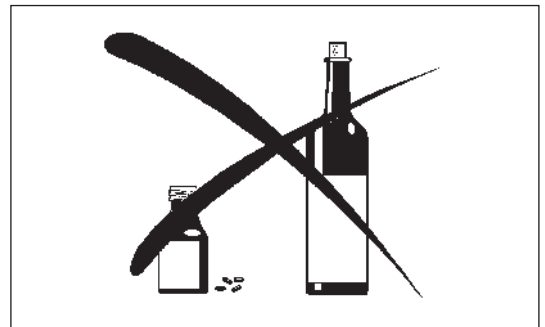
- To ensure correct operation, user has to read this instruction manual to make himself familiar with the handling of the Multi Function Power Head. Users insufficiently informed will risk danger to themselves as well as others due to improper handling.
- It is recommended only to lend the Multi Function Power Head to people who have proven to be experienced with Multi Function Power Heads. Always hand over the instruction manual.
- First users should ask the dealer for basic instructions to familiarize oneself with the handling of an engine powered cutter.
- Children and young persons aged under 18 years must not be allowed to operate the Multi Function Power Head. Persons over the age of 16 years may however use the device for the purpose of being trained only whilst under supervision of a qualified trainer.
- Use Multi Function Power Heads with the utmost care and attention.
- Operate the Multi Function Power Head only if you are in good physical condition. Perform all work calmly and carefully. The user has to accept liability for others.
- Never use the Multi Function Power Head after consumption of alcohol or drugs, or if feeling tired or ill.
- National regulation can restrict the use of the machine.

Personal protective equipment

- The clothing worn should be functional and appropriate, i.e. it should be tight-fitting but not cause hindrance. Do not wear either jewelry or clothing which could become entangled with bushes or shrubs.
- In order to avoid either head-, eye-, hand- or foot injuries as well as to protect your hearing the following protective equipment and protective clothing must be used during operation of the Multi Function Power Head.
- Always wear a helmet where there is a risk of falling objects. The protective helmet (1) is to be checked at regular intervals for damage and is to be replaced at the latest after 5 years. Use only approved protective helmets.
- The visor (2) of the helmet (or alternatively goggles) protects the face from flying debris and stones. During operation of the Multi Function Power Head always wear goggles, or a visor to prevent eye injuries.
- Wear adequate noise protection equipment to avoid hearing impairment (ear muffs (3), ear plugs etc.).
- The work overalls (4) protect against flying stones and debris. We strongly recommend that the user wears work overalls.
- Special gloves (5) made of thick leather are part of the prescribed equipment and must always be worn during operation of the Multi Function Power Head.
- When using the Multi Function Power Head, always wear sturdy shoes (6) with a non-slip sole. This protects against injuries and ensures a good footing.

Starting up the Multi Function Power Head

- Please make sure that there are no children or other people, also pay attention to any animals in the working vicinity.
- Make sure that the attachment is attached in place, the control lever for easy action and check for proper functioning of the lock-off lever.
- Motion of the attachment during idling speed is not allowed. Check with your dealer for adjustment if in doubt. Check for clean and dry handles and test the function of the start/stop switch.

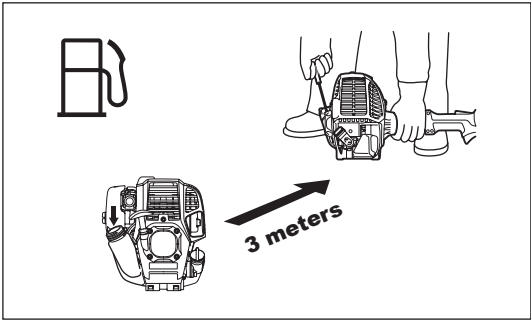
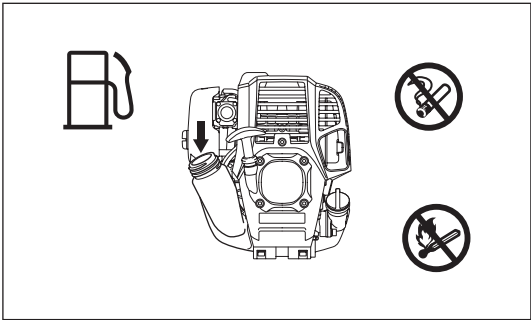
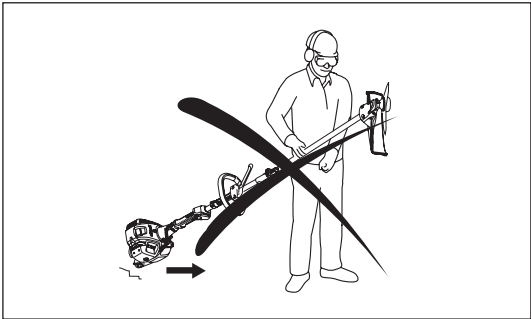
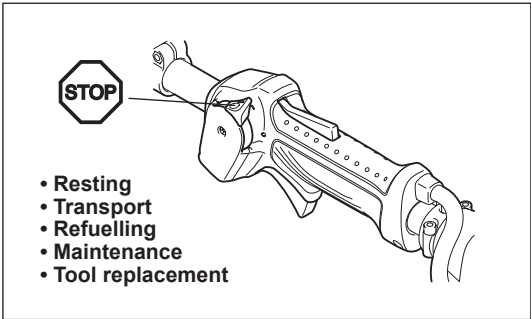
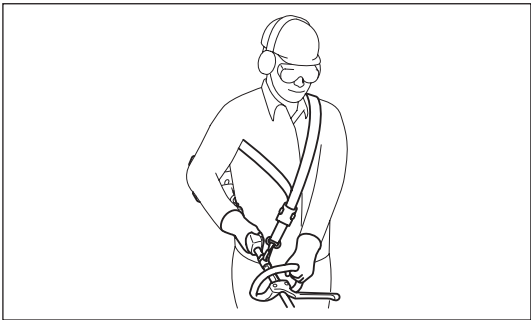
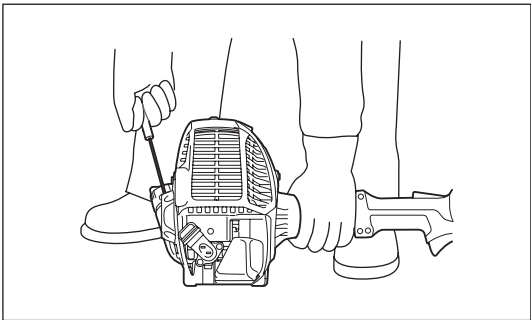


Start the Multi Function Power Head only in accordance with the instructions.

- Do not use any other methods for starting the engine!
- Use the Multi Function Power Head and the tools only for such applications as specified.
- Only start the Multi Function Power Head engine, after the entire assembly is done. Operation of the device is only permitted after all the appropriate accessories are attached!
- Before starting make sure that the attachment has no contact with hard objects such as branches, stones etc. as the attachment will revolve when starting.
- The engine is to be switched off immediately in case of any engine problems.
- Should the attachment hit stones or other hard objects, immediately switch off the engine and inspect the attachment.
- Operate the Multi Function Power Head only with the shoulder strap attached which is to be suitably adjusted before putting the Multi Function Power Head into operation. It is essential to adjust the shoulder strap according to the user size to prevent fatigue occurring during use. Never hold the cutter with one hand during use.
- During operation always hold the Multi Function Power Head with both hands. Always ensure a safe footing.
- Operate the Multi Function Power Head in such a manner as to avoid inhalation of the exhaust gases. Never run the engine in enclosed rooms (risk of gas poisoning). Carbon monoxide is an odorless gas.
- Switch off the engine when resting and when leaving the Multi Function Power Head unattended, and place it in a safe location to prevent danger to others or damage to the machine.
- Never put the hot Multi Function Power Head onto dry grass or onto any combustible materials.
- All protective installations and guards supplied with the machine must be used during operation.
- Never operate the engine with faulty exhaust muffler.
- Shut off the engine during transport.
- During transport over long distances the tool protection included with the equipment must always be used.
- Ensure safe position of the Multi Function Power Head during car transportation to avoid fuel leakage.
- When transporting the Multi Function Power Head, ensure that the fuel tank is completely empty.
- When unloading the Multi Function Power Head from the truck, never drop the engine to the ground or this may severely damage the fuel tank.
- Except in case of emergency, never drop or cast the Multi Function Power Head to the ground or this may severely damage the Multi Function Power Head.
- Remember to lift the entire equipment from the ground when moving the equipment. Dragging the fuel tank is highly dangerous and will cause damage and leakage of fuel, possibly causing fire.
- If the equipment gets heavy impact or fall, check the condition before continuing work. Check the fuel system for fuel leakage and the controls and safety devices for malfunction. If there is any damage or doubt, ask our authorized service center for the inspection and repair.

Refuelling

- Shut off the engine during refuelling, keep away from open flames and do not smoke.
- Avoid skin contact with mineral oil products. Do not inhale fuel vapor. Always wear protective gloves during refuelling. Change and clean protective clothing at regular intervals.
- Take care not to spill either fuel or oil in order to prevent soil contamination (environmental protection). Clean the Multi Function Power Head immediately after fuel has been spilled.
- Avoid any fuel contact with your clothing. Change your clothing instantly if fuel has been spilled on it (to prevent clothing catching fire).
- Inspect the fuel cap at regular intervals making sure that it can be securely fastened and does not leak.
- Carefully tighten the fuel tank cap. Change location to start the engine (at least 3 meters away from the place of refuelling).
- Never refuel in closed rooms. Fuel vapors accumulate at ground level (risk of explosions).
- Only transport and store fuel in approved containers. Make sure the fuel stored is not accessible to children.

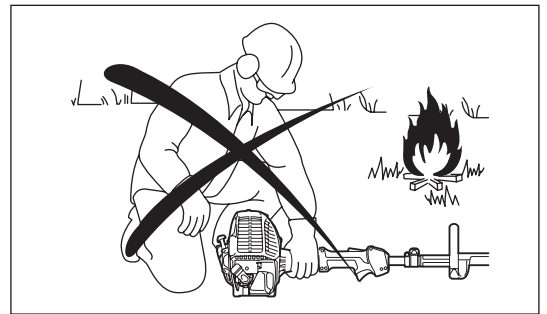


Method of operation

- Only use the Multi Function Power Head in good light and visibility. During the winter season beware of slippery or wet areas, ice and snow (risk of slipping). Always ensure a safe footing.
- Never stand on a ladder and run the Multi Function Power Head.
- Never climb up into trees to perform cutting operation with the Multi Function Power Head.
- Never work on unstable surfaces.
- Before using attachment, the attachment must have reached full working speed.
- Take a rest to prevent loss of control caused by fatigue. We recommend to take a 10 to 20-minute rest every hour.

Maintenance instructions

- Have your equipment serviced by our authorized service center, always using only genuine replacement parts. Incorrect repair and poor maintenance can shorten the life of the equipment and increase the risk of accidents.
- Operate the Multi Function Power Head with as little noise and contamination as possible. In particular check the correct setting of the carburetor.
- Clean the Multi Function Power Head at regular intervals and check that all screws and nuts are well tightened.
- Never service or store the Multi Function Power Head in the vicinity of naked flames.
- Always store the Multi Function Power Head in locked rooms and with an emptied fuel tank.



Observe the relevant accident prevention instructions issued by the relevant trade associations and by the insurance companies. Do not perform any modifications on the Multi Function Power Head as this will endanger your safety.

The performance of maintenance or repair work by the user is limited to those activities as described in the instruction manual. All other work is to be done by an Authorized Service Agent. Use only genuine spare parts and accessories released and supplied by MAKITA. Use of non-approved accessories and tools means increased risk of accidents. MAKITA will not accept any liability for accidents or damage caused by the use of non-approved attachments and fixing devices of attachments, or accessories.

First aid

In case of accident make sure that a first-aid box is available in the vicinity of the cutting operations. Immediately replace any item taken from the first aid box.

When asking for help, please give the following information:

- Place of accident
- What happened
- Number of injured persons
- Kind of injuries
- Your name



Vibration

- People with poor circulation who are exposed to excessive vibration may experience injury to blood vessels or the nervous system. Vibration may cause the following symptoms to occur in the fingers, hands or wrists: "Falling asleep" (numbness), tingling, pain, stabbing sensation, alteration of skin color or of the skin. If any of these symptoms occur, see a physician!
- To reduce the risk of "white finger disease", keep your hands warm during operation and well maintain the equipment and accessories.

EC DECLARATION OF CONFORMITY

For European countries only

The EC declaration of conformity is included as Annex A to this instruction manual.

TECHNICAL DATA EX2650LH

Model	EX2650LH	
Handle type	Loop handle	
Dimensions: length x width x height (without cutting blade) with barrier	mm	975 x 323 x 241
Dimensions: length x width x height (without cutting blade) without barrier	mm	975 x 242 x 241
Mass (without plastic guard and cutting blade)	kg	4.6
Volume (fuel tank)	L	0.6
Volume (oil reservoir)	L	0.08
Engine displacement	cm ³	25.4
Maximum engine performance	kw	0.77 at 7,000 min ⁻¹
Engine speed at recommended max. spindle speed	min ⁻¹	10,000
Idling speed	min ⁻¹	3,000
Clutch engagement speed	min ⁻¹	3,900
Carburetor	Diaphragm type	
Ignition system	Non-contact, magnet type	
Spark plug	type	NGK CMR4A
Electrode gap	mm	0.7 - 0.8
Fuel	Automobile gasoline (petrol)	
Engine oil	API grade SF class or higher, SAE 10W-30 oil (automobile 4-stroke engine oil)	

Vibration

Attachment	Right handle (Rear grip)		Left handle (Front grip)		Applicable standards
	a _{h_v eq} (m/s ²)	Uncertainty K (m/s ²)	a _{h_v eq} (m/s ²)	Uncertainty K (m/s ²)	
EM400MP	6.5	1.2	5.9	1.8	ISO 22867
EM401MP	5.6	2.1	4.8	1.0	ISO 22867
ER400MP	7.1	2.8	5.5	2.7	ISO 22867
EY400MP	9.4	2.0	4.2	2.0	ISO 22867
EY400MP + LE400MP	4.8	2.0	3.4	2.0	ISO 22867
EY401MP	6.5	2.0	3.8	2.0	ISO 22867
EY401MP + LE400MP	5.6	2.0	3.4	2.0	ISO 22867
EN400MP	8.4	1.8	5.0	0.7	ISO 10517
EN400MP + LE400MP	8.0	1.7	4.3	0.7	ISO 10517
KR400MP	5	1.1	4.4	2.3	ISO 22867
EJ400MP	7.1	1.5	4.9	1.5	ISO 22867
EJ400MP + LE400MP	6.4	0.6	4.0	0.7	ISO 22867
EN401MP	8.0	1.7	5.8	1.0	ISO 10517
EN401MP + LE400MP	10.5	1.5	8.0	1.5	ISO 10517
EN410MP	7.4	2.9	4.6	0.9	ISO 10517
EN410MP + LE400MP	10.5	4.1	5.7	2.1	ISO 10517
EN420MP	8.4	1.2	5.7	3.5	ISO 10517
EE400MP	8.6	1.7	3.5	1.6	ISO 22867

Noise

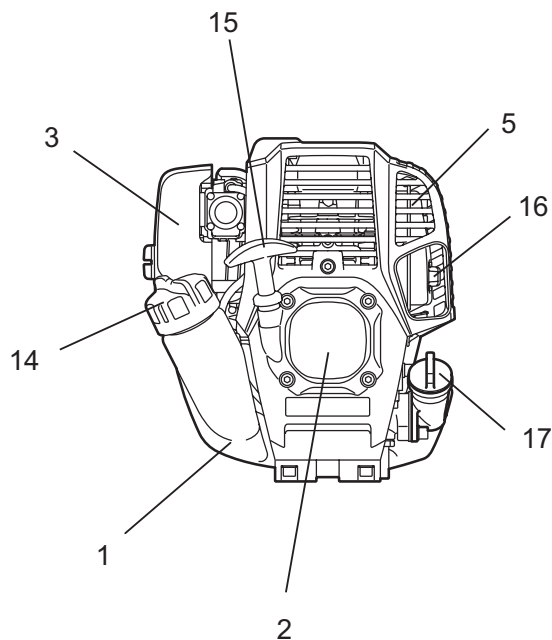
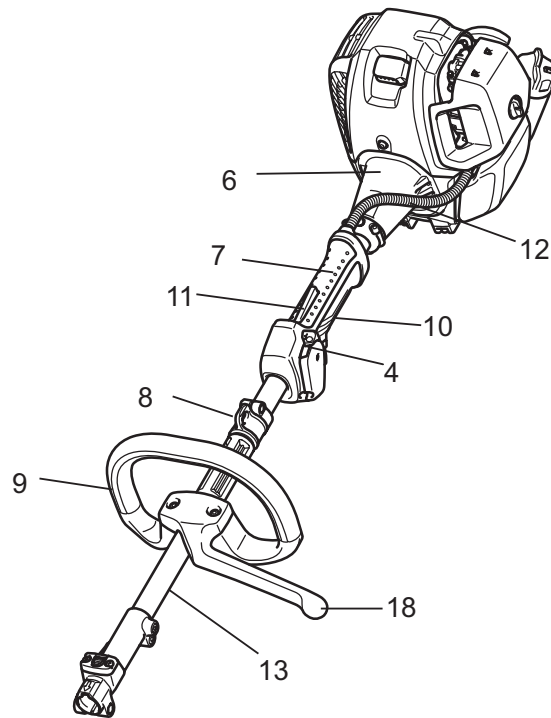
Attachment	Sound pressure level average		Sound power level average		Applicable standards
	L _{PA eq} (dB (A))	Uncertainty K (dB (A))	L _{WA eq} (dB (A))	Uncertainty K (dB (A))	
EM400MP	95.0	4.4	105.5	3.3	ISO 22868
EM401MP	89.9	3.6	99.7	2.7	ISO 22868
ER400MP	97.9	4.2	106.2	4.0	ISO 22868
EY400MP	93.0	2.5	104.5	2.5	ISO 22868
EY400MP + LE400MP	90.3	2.5	107.8	2.5	ISO 22868
EY401MP	92.6	2.5	104.7	2.5	ISO 22868
EY401MP + LE400MP	90.5	2.5	107.9	2.5	ISO 22868
EN400MP	93.1	4.4	102.9	4.8	ISO 10517
EN400MP + LE400MP	87.8	1.9	103.0	2.0	ISO 10517
KR400MP	93.7	2.6	99.7	1.2	ISO 22868
EJ400MP	89.0	2.3	99.8	1.1	ISO 22868
EJ400MP + LE400MP	88.1	2.2	100.8	2.3	ISO 22868
EN401MP	90.7	1.6	102.1	1.7	ISO 10517
EN401MP + LE400MP	89.2	2.9	102.0	1.6	ISO 10517
EN410MP	87.8	0.8	102.3	1.7	ISO 10517
EN410MP + LE400MP	88.7	1.1	102.9	0.9	ISO 10517
EN420MP	88.7	1.0	101.3	0.7	ISO 10517
EE400MP	89.5	2.0	99.7	2.6	ISO 22868

APPROVED ATTACHMENTS

ATTACHMENTS	Models
Brushcutter Attachment	EM400MP, EM401MP
String Trimmer Attachment	ER400MP
Pole Saw Attachment	EY400MP, EY401MP
Hedge Trimmer Attachment	EN400MP, EN401MP, EN410MP
Ground Trimmer Attachment	EN420MP
Cultivator Attachment	KR400MP
Coffee Harvester Attachment	EJ400MP
Edger Attachment	EE400MP
Shaft Extension Attachment	LE400MP

DESIGNATION OF PARTS

EX2650LH



GB	DESIGNATION OF PARTS
1	Fuel tank
2	Rewind starter
3	Air cleaner
4	I-O switch (on/off)
5	Exhaust muffer
6	Clutch case
7	Rear grip
8	Hanger
9	Handle
10	Throttle lever
11	Lock-off lever
12	Control cable
13	Shaft
14	Fuel filler cap
15	Starter knob
16	Exhaust pipe
17	Oil cap
18	Barrier*

Note: In some countries, the barrier is not provided with the tool.

MOUNTING OF HANDLE

CAUTION: Before doing any work on the Multi Function Power Head, always stop the engine and pull the spark plug connector off the spark plug. Always wear protective gloves!

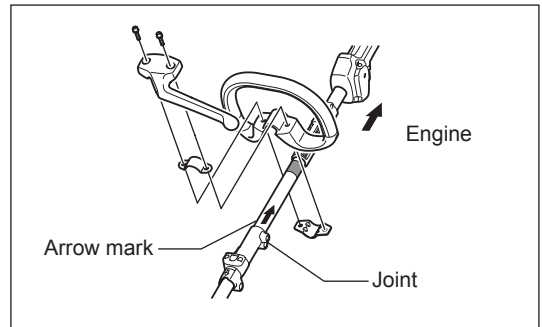
CAUTION: Start the Multi Function Power Head only after having assembled it completely.

Assembling loop handle

- Securely fit the barrier and grip onto the shaft pipe with two screws and clamps. At this time, put the barrier on the left side of the machine as illustrated.
- Make sure that the grip/barrier assembly is located between the spacer and the arrow mark. Do not remove or shrink the spacer.
- Once assembled, do not remove the barrier.

CAUTION: Never install the grip on the label or joint.

Note: In some countries, the barrier and arrow mark are not provided with the tool.



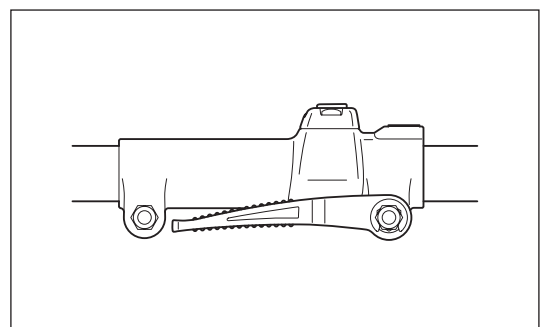
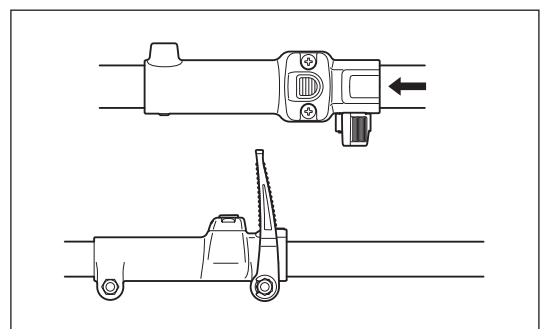
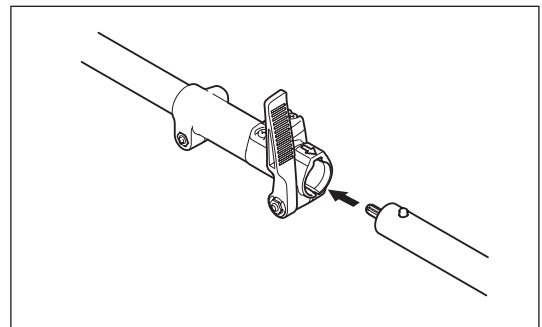
MOUNTING ATTACHMENT

CAUTION: Before doing any work on the Multi Function Power Head, always stop the engine and pull the spark plug connector off the spark plug. Always wear protective gloves!

CAUTION: Start the Multi Function Power Head only after having assembled it completely.

Assembly

- Loosen lever.
- Align the attachment's pin with the joint's groove and insert pin.
- Insert attachment up to the arrow position of attachment. And, check to see that button has risen.
- Tighten lever.
(See diagram on right for guideline.)

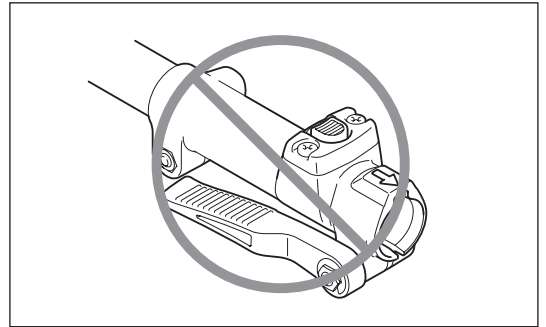
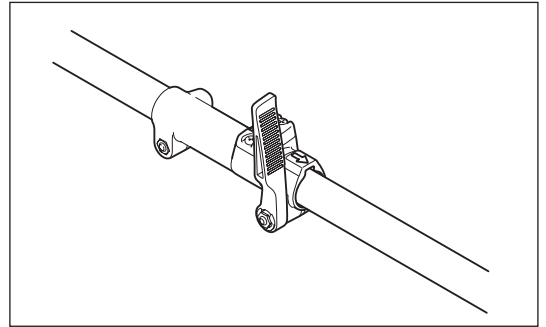


DISASSEMBLING

- Loosen lever.
- Press button and extract attachment.
(As much as possible, try to extract the attachment in a straight line.)

Note:

- Do not leave the lever in a tightened state when attachment is not attached.



BEFORE START OF OPERATION

Inspection and refill of engine oil

- Perform the following procedure, with the engine cooled down.
- Set the engine level, remove oil cap (Fig. 1), and check to see whether or not there is oil in the range between the upper limit and lower limit marks of the oil pipe (Fig. 2).
- Top up with oil to upper limit mark if oil is insufficient (oil level is close to lower limit mark) (Fig. 3).
- The area surrounding the external marks is transparent, so the amount of oil inside can be checked without having to remove the oil cap. However, if oil pipe becomes extremely dirty, visibility may be lost, and oil level will have to be checked against stepped section on inside of oil pipe.
- For reference, the oil refill time is about 10h (every 10 refuellings).
If the oil changes in color or mixes with dirt, replace it with new one. (For the interval and method of replacement, refer to P 16)

Recommended oil: SAE 10W-30 oil of API Classification, Class SF or higher (4-stroke engine for automobile)

Oil volume: Approx. 0.08L

Note: If the engine is not kept upright, oil may go into around the engine, and may be refilled excessively.
If the oil is filled above the limit, the oil may be contaminated or may catch fire with white smoke.

Point 1 in Replacement of oil: "Oil cap"

- Remove dust or dirt near the oil refill port, and detach the oil cap.
- Keep the detached oil cap free of sand or dust. Otherwise, any sand or dust adhering to the oil cap may cause irregular oil circulation or wear on the engine parts, which will result in troubles.

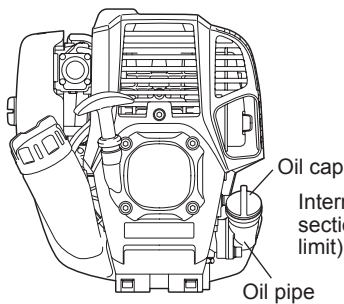


Fig. 1

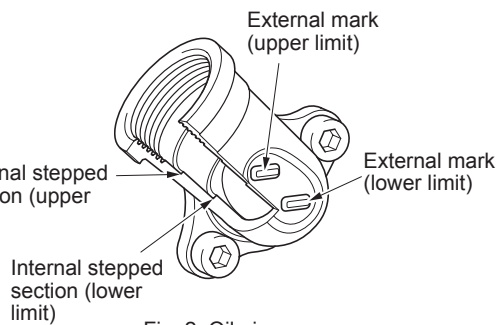


Fig. 2 Oil pipe

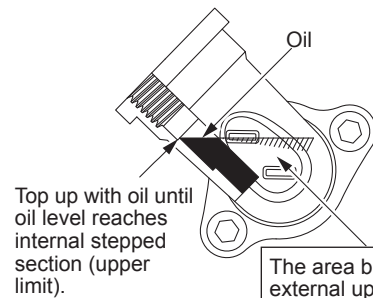
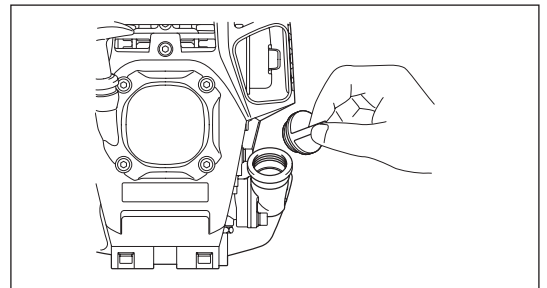


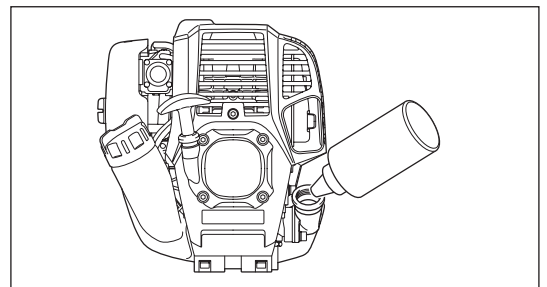
Fig. 3

The area between the external upper and lower limits is transparent, so oil level can be checked externally against these marks.

- (1) Keep the engine level, and detach the oil cap.



- (2) Fill with oil to upper limit mark. (see Fig. 3)
Use oil bottle when filling.



- (3) Securely tighten the oil cap. Insufficient tightening may cause oil leakage.

Note

- Do not replace oil with the engine in a tilted position.
- Filling with oil while engine is tilted leads to overfilling which causes oil contamination and/or white smoke.

Point 2 in Replacement of oil: "If oil spills out"

- If oil spills out between the fuel tank and engine main unit, the oil is sucked into through the cooling air intake port, which will contaminate the engine. Be sure to wipe out spilt oil before start of operation.

REFUELING

Handling of fuel

It is necessary to handle fuel with utmost care. Fuel may contain substances similar to solvents. Refueling must be performed in a sufficiently ventilated room or in the open air. Never inhale fuel vapor, and keep fuel away from you. If you touch fuel repeatedly or for a long time, the skin becomes dry, which may cause skin disease or allergy. If fuel enters into the eye, clean the eye with fresh water. If your eye remains still irritated, consult your doctor.

Storage period of fuel

Fuel should be used up within a period of 4 weeks, even if it is kept in a special container in a well-ventilated shade. If a special container is not used or if the container is not covered, fuel may deteriorate in one day.

STORAGE OF MACHINE AND REFILL TANK

- Keep the machine and tank at a cool place free from direct sunshine.
- Never keep the fuel in the cabin or trunk.

Fuel

The engine is a four-stroke engine. Be sure to use an automobile gasoline (regular gasoline or premium gasoline).

Points for fuel

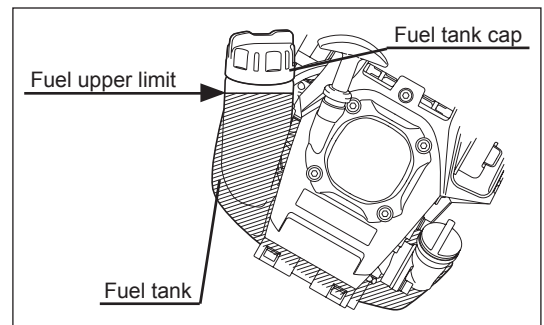
- Never use a gasoline mixture which contains engine oil. Otherwise, it will cause excessive carbon accumulation or mechanical troubles.
- Use of deteriorated oil will cause irregular startup.

Refueling

WARNING: INFLAMMABLES STRICTLY PROHIBITED

Gasoline used: Automobile gasoline (unleaded gasoline)

- Loosen the tank cap a little so that there will be no difference in atmospheric pressure.
 - Detach the tank cap, and refuel, discharging air by tilting the fuel tank so that the refuel port will be oriented upward. (Never refill fuel full to the oil refill port.)
 - Wipe well the periphery of the tank cap to prevent foreign matter from entering into the fuel tank.
 - After refueling, securely tighten the tank cap.
-
- If there is any flaw or damage on the tank cap, replace it.
 - The tank cap is consumable, and therefore should be renewed every two to three years.



CORRECT HANDLING OF MACHINE

Attachment of shoulder strap

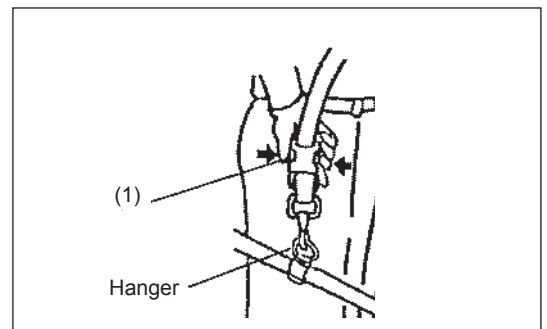
- Adjust the strap to the suitable length for your operation.

Detachment

- In an emergency, push the notches (1) at both sides, and you can detach the machine from you.

Be extremely careful to maintain control of the machine at this time. Do not allow the machine to be deflected toward you or anyone in the work vicinity.

WARNING: Failure to maintain complete control of the machine at all could result in serious bodily injury or DEATH.



POINTS IN OPERATION AND HOW TO STOP

Observe the applicable accident prevention regulations!

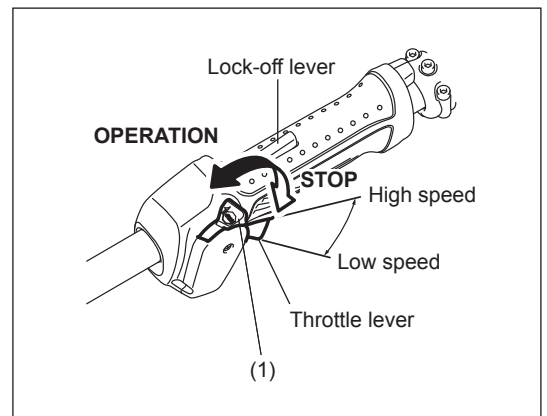


STARTING

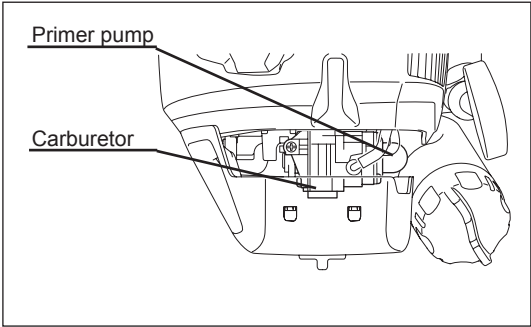
Move at least 3 m away from the place of refuelling. Place the Multi Function Power Head on a clean piece of ground taking care that the attachment does not come into contact with the ground or any other objects.

A: Cold start

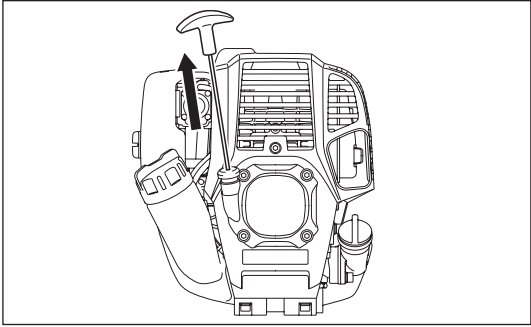
- 1) Set this machine on a flat space.
- 2) Set the I-O switch (1) to OPERATION.



- 3) Primer pump
Continue to push the primer pump until fuel enters into the primer pump. (In general, fuel enters into the primer pump by 7 to 10 pushes.)
If the primer pump is pushed excessively, an excess of gasoline returns to the fuel tank.



- 4) Recoil starter
Pull the start knob gently until it is hard to pull (compression point). Then, return the start knob, and pull it strongly.
Never pull the rope to the full. Once the start knob is pulled, never release your hand immediately. Hold the start knob until it returns to its original point.
- 5) Warm-up operation
Continue warm-up operation for 2 to 3 minutes.



Note: In case of excessive fuel intake, remove the spark plug and pull the starter handle slowly to remove excess fuel. Also, dry the electrode section of the spark plug.

Caution during operation:

If the throttle lever is opened fully in a no-load operation, the engine rotation is increased to 10,000 min⁻¹ or more. Never operate the engine at a higher speed than required and at an approximate speed of 6,000 - 8,500 min⁻¹.

B: Startup after warm-up operation

- 1) Push the primer pump repeatedly.
- 2) Keep the throttle lever at the idling position.
- 3) Pull the recoil starter strongly.
- 4) If it is difficult to start the engine, open the throttle by about 1/3.
Pay attention to the attachment which may rotate.

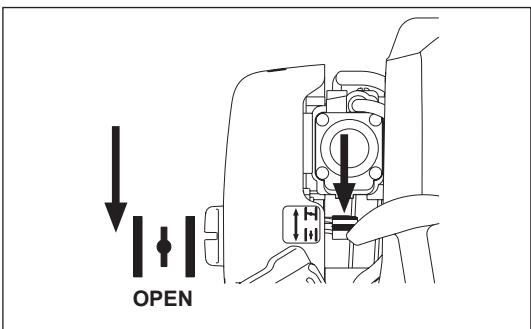
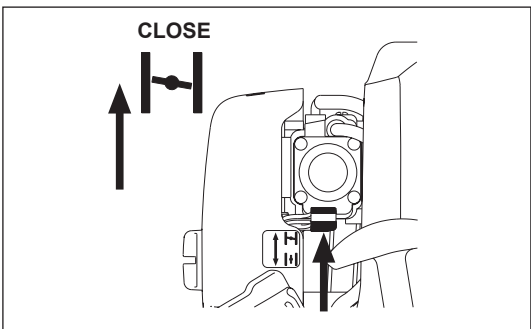
At times, such as winter, when starting the engine is difficult

Operate choke lever with the following procedure when starting engine.

- After implementing startup steps 1) to 3), set choke lever to the CLOSE position.
- Implement startup step 4) and start engine.
- Once engine starts, set choke lever to the OPEN position.
- Implement startup step 5) and complete warm up.

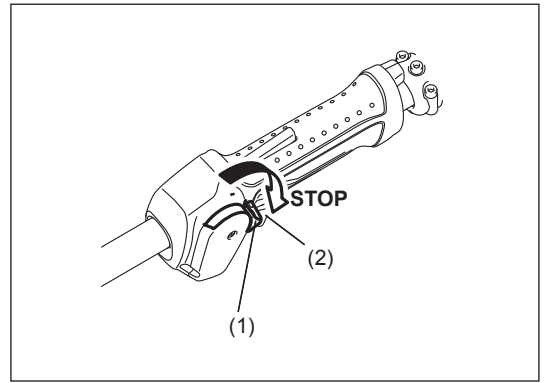
CAUTION: If a bang (explosive sound) is heard and the engine stops, or the just-started engine stalls before the choke lever is operated, return the choke lever to the OPEN position, and pull the starter knob a few times again to start the engine.

CAUTION: If the choke lever is left in the CLOSE position, and the starter knob merely pulled repeatedly, too much fuel will be sucked in, and the engine will become difficult to start.



STOPPING

- 1) Release the throttle lever (2) fully, and when the engine rpm has lowered, set the I-O switch to STOP the engine will now stop.
- 2) Be aware that the attachment may not stop immediately and allow it to slow down fully.

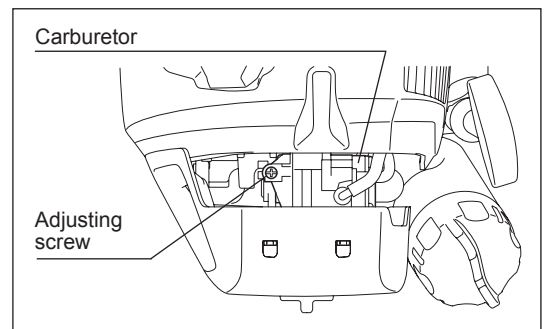


ADJUSTMENT OF LOW-SPEED ROTATION (IDLING)

When it is necessary to adjust the low-speed rotation (idling), perform it by the carburetor adjusting screw.

CHECKUP OF LOW-SPEED ROTATION

- Set the low-speed rotation to 3,000 min⁻¹.
If it is necessary to change the rotation speed, regulate the adjusting screw (illustrated on the right), with Phillips screwdriver.
- Turn the adjusting screw to the right, and the engine rotation will increase.
Turn the adjusting screw to the left, and the engine rotation will drop.
- The carburetor is generally adjusted before shipment. If it is necessary to readjust it, please contact Authorized Service Agent.



SERVICING INSTRUCTIONS

CAUTION: Before doing any work on the Multi Function Power Head, always stop the engine and pull the plug cap off the spark plug (see "checking the spark plug").

Always wear protective gloves!

Never use gasoline, benzine, thinner, alcohol or the like. Discoloration, deformation or cracks may result.

To ensure a long service life and to avoid any damage to the equipment, the following servicing operations should be performed at regular intervals.

Daily checkup and maintenance

- Before operation, check the machine for loose screws or missing parts. Pay particular attention to a specified attachment for mounting in place securely.
- Before operation, always check for clogging of the cooling air passage and the cylinder fins. Clean them if necessary.
- Perform the following work daily after use:
 - Clean the Multi Function Power Head externally and inspect for damage.
 - Clean the air filter. When working under extremely dusty conditions, clean the filter several times a day.
 - Check that there is sufficient difference between idling and engagement speed to ensure that the attachment is at a standstill while the engine is idling (if necessary reduce idling speed).
If under idling conditions the tool should still continue to run, consult your nearest Authorized Service Agent.
- Check the functioning of the I-O switch, the lock-off lever and the control lever.

REPLACEMENT OF ENGINE OIL

Deteriorated engine oil will shorten the life of the sliding and rotating parts to a great extent. Be sure to check the period and quantity of replacement.



ATTENTION: In general, the engine main unit and engine oil still remain hot just after the engine is stopped. In replacement of oil, confirm that the engine main unit and engine oil are sufficiently cooled down. Otherwise, there may remain a risk of scald.

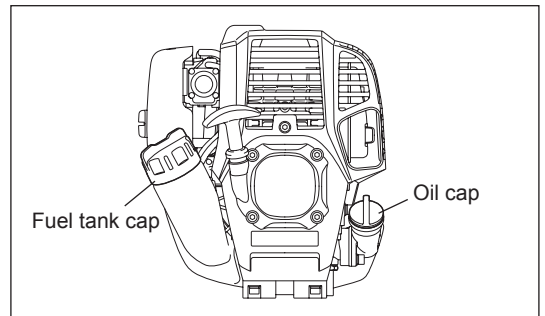
Note: If the oil filled above the limit, it may be contaminated or may catch fire with white smoke.

Interval of replacement: Initially, every 20 operating hours, and subsequently every 50 operating hours

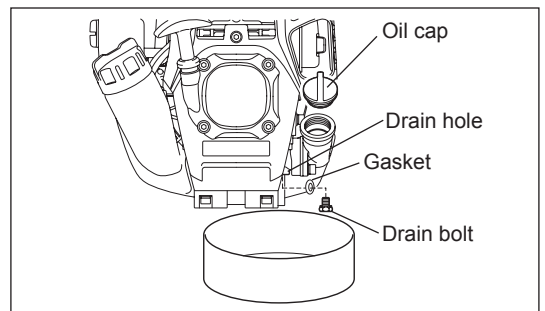
Recommended oil: SAE10W-30 oil of API Classification SF Class or higher (4-stroke engine oil for automobile)

In replacement, perform the following procedure.

- 1) Confirm that the fuel tank cap is tightened securely.
- 2) Place large container (pan, etc.) under drain hole.



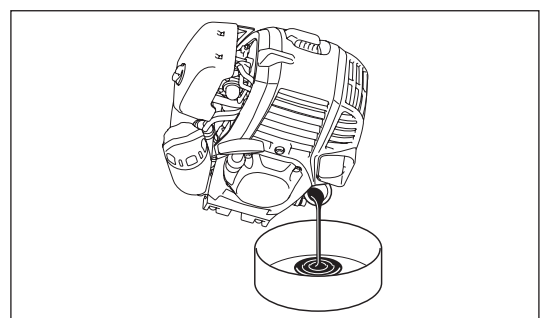
- 3) Remove drain bolt and then remove oil cap to drain out oil from drain hole. At this time, be sure not to mislay drain bolt's gasket, or to make dirty any of the removed components.
- 4) Once all the oil has been drained, combine gasket and drain bolt, and tightly secure drain bolt, so that it will not loosen and cause leaks.
* Use cloth to fully wipe off any oil attached to bolt and equipment.



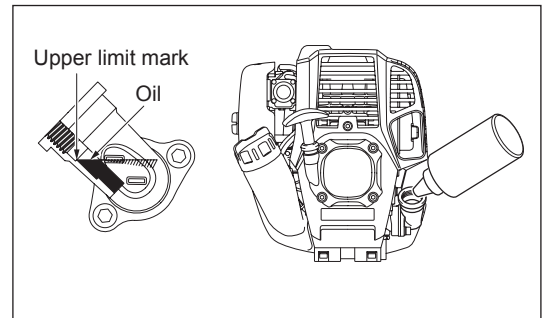
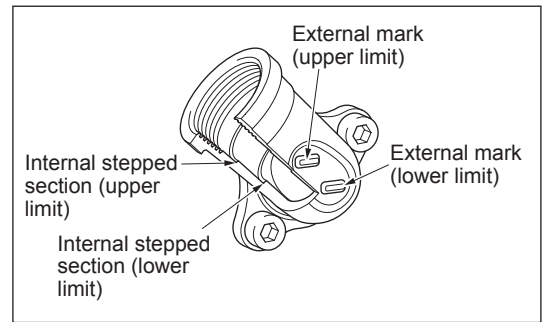
Alternative draining method

Remove oil cap, tilt Multi Function Power Head toward oil filler hole, and drain out oil.

Collect oil in container.



- 5) Set the engine level, and gradually fill up to upper limit mark with new oil.
- 6) After filling, tightly secure oil cap, so that it will not loosen and cause leaks. If oil cap is not tightly secured, it may leak.



POINTS ON OIL

- Never discard replaced engine oil in garbage, earth or sewage ditch. Disposal of oil is regulated by law. In disposal, always follow the relevant laws and regulations. For any points remaining unknown, contact Authorized Service Agent.
- Oil will deteriorate even when it is kept unused. Perform inspection and replacement at regular intervals (replace with new oil every 6 months).

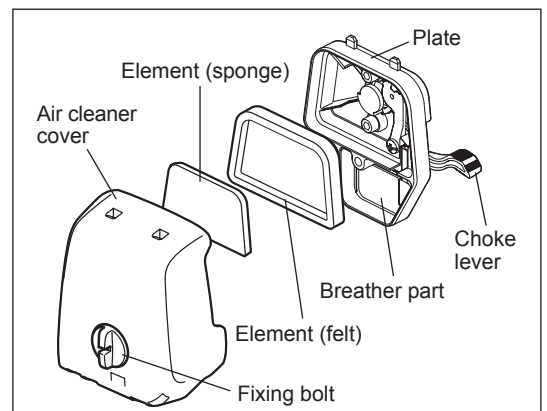
CLEANING OF AIR CLEANER



DANGER: INFLAMMABLES STRICTLY PROHIBITED

Interval of cleaning and inspection: Daily (every 10 operating hours)

- Turn the choke lever to the full close side, and keep the carburetor off from dust or dirt.
- Loosen the fixing bolt.
- Remove the air cleaner cover by pulling its bottom side.
- Remove the elements and tap them to remove dirt.
- If the elements are heavily contaminated: Remove the elements, immerse them in warm water or in water-diluted neutral detergent, and dry them completely. Do not squeeze or rub them when washing.
- Before attaching the elements, be sure to dry them completely. Insufficient drying of the elements may lead to difficult startup.
- Wipe out oil adhering around the air cleaner cover and the breather part with waste cloth.
- Fit the element (sponge) into the element (felt).
- Fit the elements into the plate so that the sponge faces the air cleaner cover.
- Immediately attach the cleaner cover and tighten it with fixing bolts. (In remounting, first place the upper claw, and then the lower claw.)



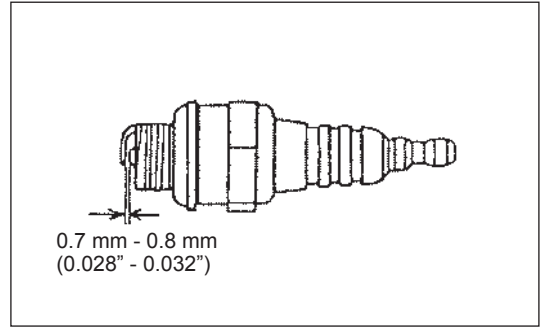
NOTICE:

- Clean the elements several times a day, if excessive dust adheres to it. Dirty elements reduce engine power and make starting engine difficult.
- Remove oil on the elements. If operation continues with the elements remaining not cleared of oil, oil in the air cleaner may fall outside, resulting in contamination of the environment.
- Do not put the elements on the ground or dirty place. Otherwise they pick up dirt or debris and it may damage the engine.
- Never use fuel for cleaning the elements. Fuel may damage them.

CHECKING THE SPARK PLUG

- Only use the supplied universal wrench to remove or to install the spark plug.
- The gap between the two electrodes of the spark plug should be 0.7 - 0.8 mm (0.028" - 0.032"). If the gap is too wide or too narrow, adjust it. If the spark plug is clogged or contaminated, clean it thoroughly or replace it.

CAUTION: Never touch the spark plug connector while the engine is running (danger of high voltage electric shock).



CLEANING OF FUEL FILTER

WARNING: INFLAMMABLES STRICTLY PROHIBITED

Interval of cleaning and inspection: Monthly (every 50 operating hours)

Suction head in the fuel tank

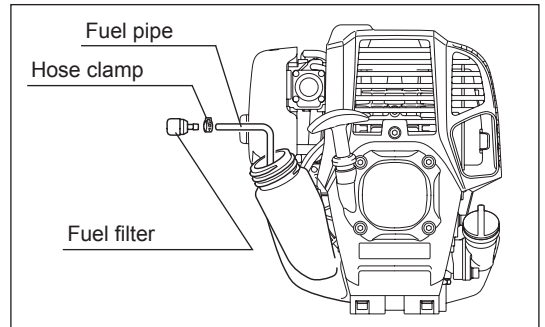
Check the fuel filter periodically. To check the fuel filter, follow the steps below.

- (1) Remove the fuel tank cap, drain the fuel to empty the tank. Check the tank inside for any foreign materials. If any, remove them.
- (2) Pull out the suction head by using a wire hook through the tank opening.
- (3) If the fuel filter clogged slightly, clean it. To clean it, gently shake and tap it in fuel. To avoid damage, do not squeeze or rub it. The fuel used for the cleaning must be disposed in accordance with the method specified by regulations in your country.

If the fuel filter became hard or heavily clogged up, replace it.

- (4) After checking, cleaning or replacing, push the fuel filter in all the way to the bottom of the fuel tank.

Clogged or damaged fuel filter can cause insufficient fuel supply and reduce engine power. Replace the fuel filter at least quarterly to ensure satisfactory fuel supply to the carburetor.



REPLACEMENT OF FUEL PIPE

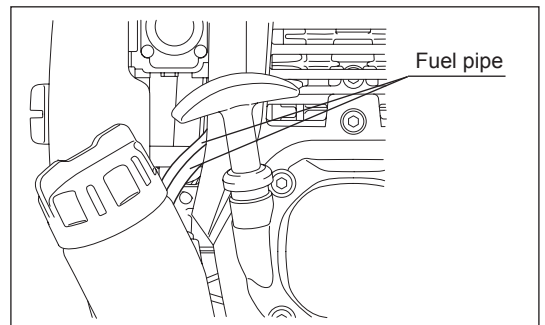
CAUTION: INFLAMMABLES STRICTLY PROHIBITED

Interval of cleaning and inspection: Daily (every 10 operating hours)

Replacement: Annually (every 200 operating hours)

Replace the fuel pipe every year, regardless of operating frequency. Fuel leakage may lead to fire.

If any leakage is detected during inspection, replace the fuel pipe immediately.



INSPECTION OF BOLTS, NUTS AND SCREWS

- Retighten loose bolts, nuts, etc.
- Check for fuel and oil leakage.
- Replace damaged parts with new ones for safety operation.

CLEANING OF PARTS

- Keep the engine always clean.
- Keep the cylinder fins free of dust or dirt. Dust or dirt adhering to the fins will cause piston seizure.

REPLACEMENT OF GASKETS AND PACKINGS

In reassembling after the engine is dismantled, be sure to replace the gaskets and packings with new ones.

Any maintenance of adjustment work that is not included and described in this manual is only to be performed by Authorized Service Agents.

STORAGE

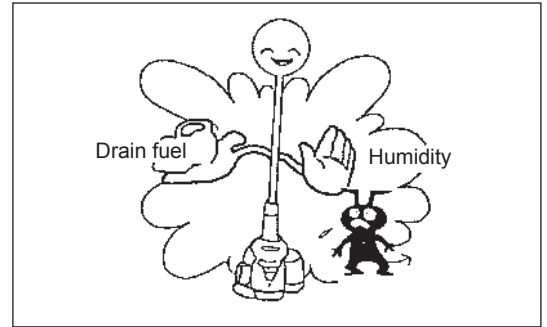


WARNING: When draining the fuel, be sure to stop the engine and confirm that the engine cools down.
Just after stopping the engine, it may still hot with possibility of burns, inflammability and fire.



ATTENTION: When the machine is kept out of operation for a long time, drain up all fuel from the fuel tank and carburetor, and keep it at a dry and clean place.

- Drain up fuel from the fuel tank and carburetor according to the following procedure:
 - 1) Remove the fuel tank cap, and drain fuel completely.
If there is any foreign matter remaining in the fuel tank, remove it completely.
 - 2) Pull out the fuel filter from the refill port using a wire.
 - 3) Push the primer pump until fuel is drained from there, and drain fuel coming into the fuel tank.
 - 4) Reset the filter to the fuel tank, and securely tighten the fuel tank cap.
 - 5) Then, continue to operate the engine until it stops.
- Remove the spark plug, and drip several drops of engine oil through the spark plug hole.
- Gently pull the starter handle so that engine oil will spread over the engine, and attach the spark plug.
- Do not move the lever in the lock position while not mounting the attachment. The lever in the lock position without the attachment being mounted does not allow the pole shaft of the attachment to be mounted.
- In general, store the machine in horizontal position. If it is not possible, place the machine as the motor unit comes below the cutting tool. Otherwise engine oil may leak from inside.
- Always pay attention to storing the machine in a safe place to prevent machine damage and personal injury.
- Keep the drained fuel in a special container in a well-ventilated shade.



Attention after long-time storage

- Before startup after long-time shutdown, be sure to replace oil (refer to P 16). Oil will deteriorate while the machine is kept out of operation.

Fault location

Fault	System	Observation	Cause
Engine not starting or with difficulty	Ignition system	Ignition spark O.K.	Fault in fuel supply or compression system, mechanical defect
		No ignition spark	STOP-switch operated, wiring fault or short circuit, spark plug or connector defective, ignition module faulty
	Fuel supply	Fuel tank filled	Incorrect choke position, carburetor defective, fuel supply line bent or blocked, fuel dirty
	Compression	No compression when pulled over	Cylinder bottom gasket defective, crankshaft seals damaged, cylinder or piston rings defective or improper sealing of spark plug
Warm start problems	Mechanical fault	Starter not engaging	Broken starter spring, broken parts inside of the engine
		Tank filled ignition spark existing	Carburetor contaminated, have it cleaned
Engine starts but dies	Fuel supply	Tank filled	Incorrect idling adjustment, carburetor contaminated Fuel tank vent defective, fuel supply line interrupted, cable or STOP-switch faulty
Insufficient performance	Several systems may simultaneously be affected	Engine idling poor	Air filter contaminated, carburetor contaminated, muffler clogged, exhaust duct in the cylinder clogged

Item	Operating time	Before operation	After lubrication	Daily (10h)	30h	50h	200h	Shutdown/rest	Corresponding P
Engine oil	Inspect	○							12
	Replace					○*1			16
Tightening parts (bolt, nut)	Inspect	○							18
Fuel tank	Clean/inspect	○							—
	Drain fuel							○*3	19
Throttle lever	Check function		○						—
Stop switch	Check function		○						15
Low-speed rotation	Inspect/adjust			○					15
Air cleaner	Clean			○					17
Ignition plug	Inspect			○					18
Cooling air duct	Clean/inspect			○					18
Fuel pipe	Inspect			○					18
	Replace						◎*2		—
Fuel filter	Clean/replace					○			18
Clearance between air intake valve and air discharge valve	Adjust						◎*2		—
Engine overhaul							◎*2		—
Carburetor	Drain fuel							○*3	19

*1 Perform initial replacement after 20h operation.

*2 For the 200 operating hour inspection, request Authorized Service Agent or a machine shop.

*3 After emptying the fuel tank, continue to run the engine and drain fuel in the carburetor.

Check instruction manuals for each attachment, and carry out maintenance on them when they are being used.

TROUBLESHOOTING

Before making a request for repairs, check a trouble for yourself. If any abnormality is found, control your machine according to the description of this manual. Never tamper or dismount any part contrary to the description. For repairs, contact Authorized Service Agent or local dealership.

State of abnormality	Probable cause (malfunction)	Remedy
Engine does not start	Failure to operate primer pump	Push 7 to 10 times
	Low pulling speed of starter rope	Pull strongly
	Lack of fuel	Feed fuel
	Clogged fuel filter	Clean
	Bent fuel tube	Straighten fuel tube
	Deteriorated fuel	Deteriorated fuel makes starting more difficult. Replace with new one. (Recommended replacement: 1 month)
	Excessive suction of fuel	Set throttle lever from medium speed to high speed, and pull starter handle until engine starts. Once engine starts, attachment starts rotating or moving. Pay full attention to attachment. If engine will not start still, remove spark plug, make electrode dry, and reassemble them as they originally are. Then, start as specified.
	Detached plug cap	Attach securely
	Contaminated spark plug	Clean
	Abnormal clearance of spark plug	Adjust clearance
	Other abnormality of spark plug	Replace
	Abnormal carburetor	Make request for inspection and maintenance.
	Starter rope cannot be pulled	Make request for inspection and maintenance.
	Abnormal drive system	Make request for inspection and maintenance.
Engine stops soon Engine speed does not increase	Insufficient warm-up	Perform warm-up operation
	Choke lever is set to "CLOSE" although engine is warmed up.	Set to "OPEN"
	Clogged fuel filter	Clean or replace
	Contaminated or clogged air cleaner	Clean
	Abnormal carburetor	Make request for inspection and maintenance.
	Abnormal drive system	Make request for inspection and maintenance.
Attachment does not rotate or move ↓ Stop engine immediately	Attachment not inserted to the specified point.	Insert as instructed.
Main unit vibrates abnormally ↓ Stop engine immediately	Abnormal drive system	Make request for inspection and maintenance.
	Attachment not inserted to the specified point.	Insert as instructed.
	Loosened lever	Tighten securely.
Attachment does not stop immediately ↓ Stop engine immediately	Abnormal drive system	Make request for inspection and maintenance.
	High idling rotation	Adjust
	Detached throttle wire	Attach securely
Engine does not stop ↓ Run engine at idling, and set choke lever to CLOSE	Abnormal drive system	Make request for inspection and maintenance.
	Detached connector	Attach securely
	Abnormal electric system	Make request for inspection and maintenance.

When the engine does not start after warm-up operation:

If there is no abnormality found for the check items, open the throttle by about 1/3 and start the engine.

Tack för att du valde MAKITA multifunktionella verktygshuvud. Vi är glada över att kunna presentera MAKITAs multifunktionella verktygshuvud som är resultatet av ett långt utvecklingsprogram och många års kunskap och erfarenhet.

Läs igenom denna bruksanvisning och följ anvisningarna under de olika punkter som visar produktens unika prestanda. Genom att noga följa dessa anvisningar får du bästa möjliga nytta av ditt MAKITA multifunktionella verktygshuvud.



Innehåll	Sidan
Symboler	22
Säkerhetsanvisningar	23
Teknisk data	26
Godkända tillsatser	27
Delar	28
Montering av handtag	29
Montering av tillsats	29
Demontering	30
Innan du börjar använda maskinen	31
Korrekt hantering av maskinen	33
Viktigt vid användning och hur man stannar	33
Serviceanvisningar	36
Förvaring	39

SYMBOLER

Du kommer att se följande symboler när du läser bruksanvisningen.

	Läs igenom bruksanvisningen och iaktta varningar och säkerhetsåtgärder!		Bär skyddshjälm, skyddsglasögon och hörselskydd!
	Var särskilt försiktig och uppmärksam!		Bränsle (bensin)
	Förbjudet!		Motor – manuell start
	Rökning förbjuden!		Nödstopp
	Ingen öppen eld!		Första hjälpen
	Skyddshandskar måste användas!		PÅ/START
	Använd kraftiga stövlar med halkfri sula. Skyddsstövlar med stålförstärkt tåhätta rekommenderas!		AV/STOPP
	Håll alla personer och djur borta från arbetsområdet!		

Maskinens användningsområde

Detta multifunktionella verktygshuvud är avsett att driva en godkänd tillsats som är listad i denna bruksanvisning. Använd aldrig maskinen för annat ändamål.

SÄKERHETSANVISNINGAR

Allmänna anvisningar

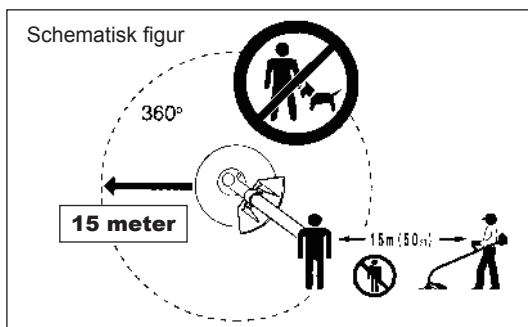
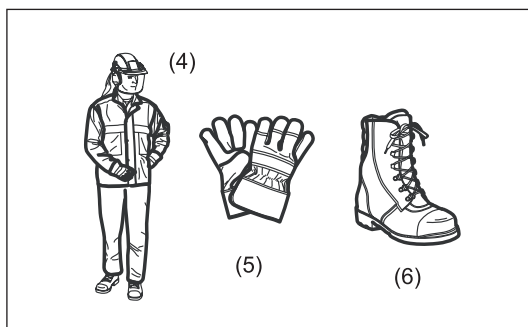
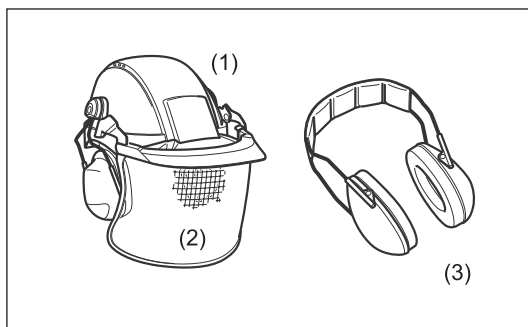
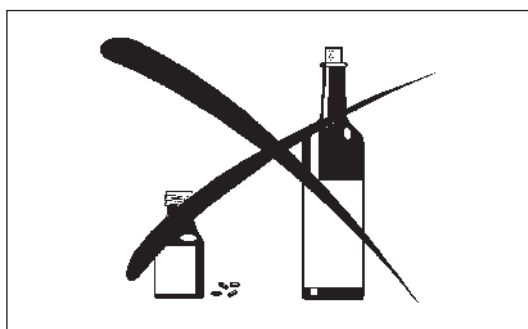
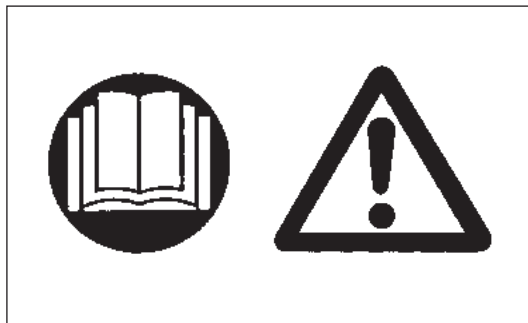
- För att säkerställa en korrekt användning måste användaren läsa igenom denna bruksanvisning för att bli förtrogen med hanteringen av det multifunktionella verktygshuvudet. En användare som inte har tillgodogjort sig informationen och hanterar maskinen fel utgör en risk både för sig själv och andra.
- Det rekommenderas att endast låna ut det multifunktionella verktygshuvudet till personer som visat sig ha erfarenhet av multifunktionella verktygshuvuden. Överlämna alltid bruksanvisningen också.
- Om du aldrig har använt en motor driven klippare tidigare är det lämpligt att låta återförsäljaren ge en demonstration av maskinens grundläggande funktioner.
- Barn och ungdomar under 18 år får inte använda det multifunktionella verktygshuvudet. Ungdomar över 16 år kan dock använda maskinen för utbildning endast under övervakning av erfaren person.
- Använd de multifunktionella verktygshuvudena med största försiktighet och uppmärksamhet.
- Använd det multifunktionella verktygshuvudet endast när du är i god fysisk kondition. Utför allt arbete noggrant och i lugnt tempo. Maskinen används under användarens fulla ansvar.
- Använd aldrig det multifunktionella verktygshuvudet efter förtäring av alkohol eller droger, eller om du känner dig trött eller sjuk.
- Nationell bestämmelse kan begränsa användningen av maskinen.

Personlig skyddsutrustning

- Tänk på att ha en bekväm och funktionell klädsel med god passform, dvs varken för hårt eller löst sittande plagg. Bär varken smycken eller kläder som kan trassla in sig i sly eller buskar.
- För att undvika skador på huvud, ögon, händer och fötter samt för att skydda hörseln måste följande skyddsutrustning bäras när det multifunktionella verktygshuvudet används.
- Bär alltid hjälm om det finns risk för fallande föremål. Skyddshjälmen (1) ska kontrolleras med jämna mellanrum så att det inte uppstått några skador, och ska bytas ut senast var 5:e år. Använd endast godkända skyddshjälm.
- Hjälmens visir (2) (eller alternativa korgglasögon) skyddar ansiktet mot flygande skräp och stenar. Under användningen av det multifunktionella verktygshuvudet ska alltid korgglasögon eller ett visir bäras för att förhindra ögonskador.
- Bär lämplig hörselskyddsutrustning för att undvika försämrad hörsel (hörselkåpor (3), öronproppar etc.).
- Arbetsoveraller (4) skyddar mot flygande stenar och skräp. Vi rekommenderar starkt att användaren bär arbetsoverall.
- Speciella handskar (5) tillverkade av tjockt läder är en del av den obligatoriska utrustningen och måste alltid bäras under användningen av det multifunktionella verktygshuvudet.
- Bär alltid kraftiga skor (6) med en halksäker sula vid användning av det multifunktionella verktygshuvudet. Detta skyddar mot skador och garanterar en god balans.

Starta det multifunktionella verktygshuvudet

- Förvissa dig om att varken barn eller andra personer befinner sig i närheten, och var även uppmärksam på eventuella djur i omgivningen.
- Kontrollera att tillsatsen är fäst på plats, att kontrollreglaget går lätt att hantera och att säkerhetsspärren fungerar riktigt.
- Att manövrera tillsatsen under tomgångsvarvtal är inte tillåtet. Kontakta din återförsäljare om du är osäker på justeringen. Kontrollera att handtagen är rena och torra och att strömbrytaren för start/stopp fungerar.

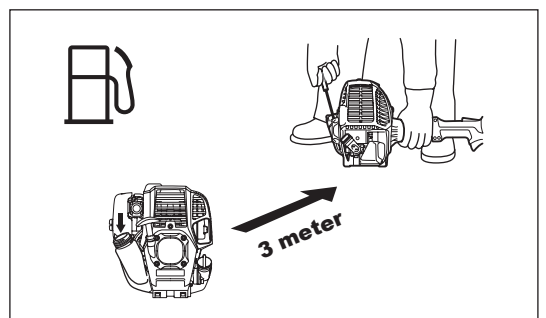
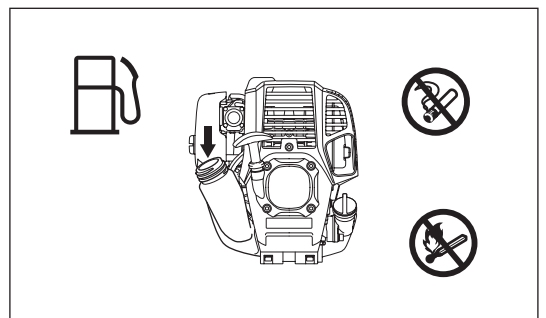
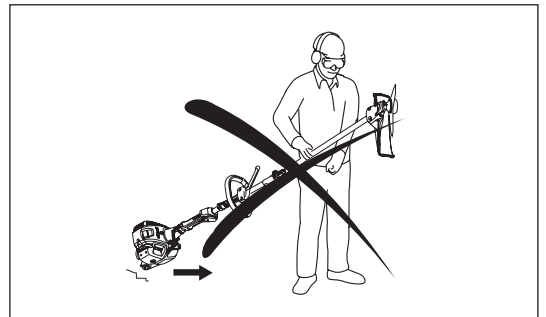
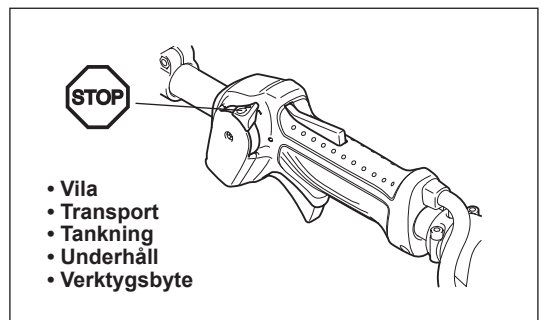
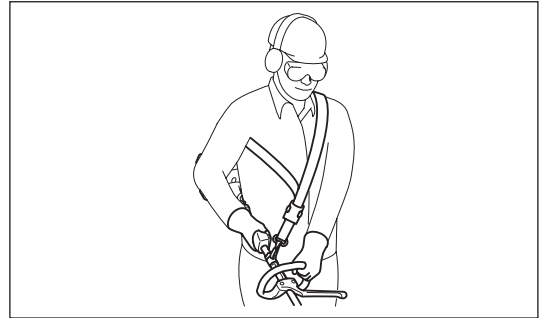
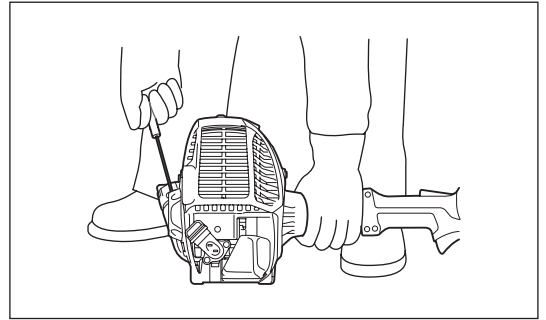


Starta det multifunktionella verktygshuvudet endast i enlighet med instruktionerna.

- Använd inte några andra metoder för att starta motorn!
- Använd endast det multifunktionella verktygshuvudet och verktygen på sådant sätt som angivits.
- Starta endast det multifunktionella verktygshuvudets motorn efter det att hela monteringen är gjord. Användning av maskinen är endast tillåten efter det att alla de korrekta tillbehören är monterade!
- Kontrollera innan du startar att tillsatsen inte är i kontakt med hårda föremål såsom grenar, stenar etc. eftersom tillsatsen roterar vid start.
- Stäng omedelbart av motorn om du misstänker motorfel.
- Stäng omedelbart av motorn och inspektera tillsatsen om den har slagit i stenar eller andra hårda föremål.
- Använd endast det multifunktionella verktygshuvudet med axelremmen fastsatt vilken kan justeras efter användaren innan maskinen ska användas. Det är väsentligt att justera axelremmen efter användarens storlek för att förhindra trötthet under användningen. Håll aldrig maskinen med en hand under arbetet.
- Håll alltid i det multifunktionella verktygshuvudet med båda händerna. Se till att alltid ha bra förfäste.
- Hantera det multifunktionella verktygshuvudet på ett sådant sätt att du undviker inandning av avgaser. Kör aldrig motorn i stängda utrymmen (risk för gasförgiftning). Koloxid är en luktfri gas.
- Stäng av motorn vid vila och när det multifunktionella verktygshuvudet lämnas utan uppsikt, och placera det på ett säkert ställe för att förhindra att andra personer skadas eller att maskinen kommer till skada.
- Lägg aldrig ner det heta multifunktionella verktygshuvudet på torrt gräs eller annat brännbart material.
- Alla skyddsinstallationer och skydd som medföljer maskinen måste användas under användningen.
- Kör aldrig motorn med trasig ljuddämpare.
- Stäng av motorn under förflyttning.
- Under lång transport måste verktygsskyddet som ingår i utrustningen alltid användas.
- Försäkra dig om att det multifunktionella verktygshuvudet är säkert placerat under biltransporten för att undvika bränsleläckage.
- Kontrollera att bränsletanken är helt tom före transport av det multifunktionella verktygshuvudet.
- Var försiktig vid avlastning av det multifunktionella verktygshuvudet så att du inte tappa motorn på marken eftersom det allvarligt kan skada bränsletanken.
- Tappa inte eller kasta det multifunktionella verktygshuvudet på marken förutom i nödsituationer eftersom det allvarligt kan skada det.
- Kom ihåg att lyfta hela utrustningen från marken när den ska flyttas. Att släpa bränsletanken är mycket farligt och orsakar skada och bränsleläckage, samt eventuell brand.
- Kontrollera utrustningen innan du fortsätter att arbeta igen om den slagit emot något hårt eller ramlat ner. Kontrollera bränslesystemet så att inte bränsleläckage uppstått samt kontrollerna och säkerhetsenheterna för felfunktion. Om det finns någon skada eller tveksamhet ska du be vårt auktoriserade servicecenter om kontroll och reparation.

Tankning

- Stäng av motorn vid tankning och se till att ingen öppen eld finns i närheten samt rök inte.
- Låt inte mineraloljeprodukter komma i kontakt med huden. Andas inte in bränsleångor. Bär alltid handskar under tankning. Byt och tvätta skyddskläder regelbundet.
- Se till att bränsle- eller oljespill inte förekommer för att undvika att marken blir kontaminerad (miljöskydd). Rengör genast det multifunktionella verktygshuvudet om du spillt bränsle på det.
- Undvik att få bränsle på kläderna. Byt omedelbart dina kläder om du fått bränslespill på dem (för att undvika att kläderna fattar eld).
- Kontrollera regelbundet att tanklocket sitter ordentligt fast och att det inte läcker.
- Dra åt tanklocket ordentligt. Starta inte motorn på samma plats som du har tankat (flytta maskinen minst 3 meter).
- Tanka aldrig i ett stängt utrymme. Bränsleångor ansamlas på golvnivå (explosionsrisk).
- Transportera och förvara bränslet endast i godkända behållare. Se till att barn inte kan komma i kontakt med bränslet.

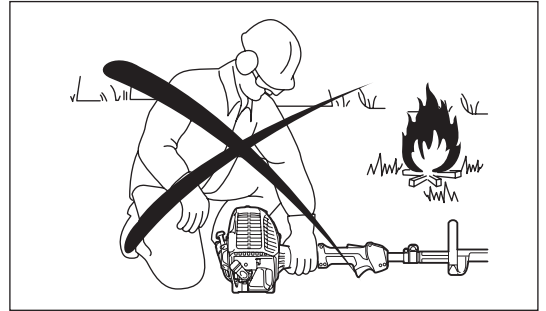


Arbetsmetod

- Använd det multifunktionella verktygshuvudet endast då du har goda ljus- och siktförhållanden. Var uppmärksam på våta och hala fläckar, snö och is under vintersäsongen (halkrisk). Se alltid till att ha bra fotfäste.
- Stå aldrig på en stege när du använder det multifunktionella verktygshuvudet.
- Klättra aldrig upp i träd för att klippa med det multifunktionella verktygshuvudet.
- Arbeta aldrig på ostadigt underlag.
- Innan du använder tillsatsen måste den ha uppnått full arbetshastighet.
- Ta en paus för att förebygga trötthet och förlorad kontroll. Vi rekommenderar en paus på 10 till 20 minuter varje timme.

Underhållsanvisningar

- Låt din utrustning servas av ditt godkända servicecenter och alltid med äkta reservdelar. Felaktiga reparationer och dåligt underhåll kan förkorta utrustningens livslängd och öka risken för olyckor.
- Använd det multifunktionella verktygshuvudet under så tysta och rena förhållanden som möjligt. Kontrollera särskilt den korrekta förgasarinställningen.
- Rengör det multifunktionella verktygshuvudet regelbundet och kontrollera att alla skruvar och muttrar är ordentligt åtdragna.
- Serva aldrig eller förvara det multifunktionella verktygshuvudet i närheten av öppen eld.
- Förvara alltid det multifunktionella verktygshuvudet i ett låst förvaringsutrymme och med tom bränsletank.



Observera de tillämpliga olycksförebyggande anvisningarna utgivna av branschorganisationer och försäkringsbolag. Utför inte några ändringsarbeten på det multifunktionella verktygshuvudet eftersom det äventyrar din säkerhet.

Inga andra underhållsåtgärder eller reparationsarbeten än de som beskrivs i denna bruksanvisning får utföras av användaren. Allt annat arbete ska utföras av en auktoriserad serviceverkstad. Använd endast originalreservdelar och -tillbehör från MAKITA.

Användning av icke godkända tillbehör och verktyg medför olycksrisker.

MAKITA kan inte hållas ansvarig för olyckor eller skador som orsakas genom användningen av icke godkända tillsatser och reparation av tillsatser eller tillbehör.

Första hjälpen

En första hjälpen-låda ska alltid finnas i närheten i händelse av eventuella olyckor. Se till att första hjälpen-lådan alltid hålls komplett.

Om hjälp behöver påkallas ska följande information lämnas:

- Platsen för olyckan
- Vad som hänt
- Antal skadade personer
- Typ av skador
- Ditt namn



Vibration

- Personer med cirkulationsrubbingar som utsätts för kraftiga vibrationer kan drabbas av blodutgjutningar eller skador på nervsystemet. Vibrationer kan orsaka följande symptom i fingrar, händer och handleder: "Domningar" (stumhet), darrningar, smärtor, stickningar, färgförändringar i huden och hudförändringar. Uppsök läkare om du drabbas av något av dessa symptom!
- För att minska risken för "Raynauds sjukdom" ska du se till att dina händer är varma under användningen samt underhålla utrustningen och tillbehören väl.

EU-DEKLARATION OM ÖVERENSSTÄMMELSE

Gäller endast Europa

EU-deklaration om överensstämmelse har inkluderats som bilaga A i denna bruksanvisning.

TEKNISK DATA EX2650LH

Modell	EX2650LH	
Typ av handtag	Bygelhandtag	
Dimensioner: längd x bredd x höjd (utan skärblad) med skydd	mm	975 x 323 x 241
Dimensioner: längd x bredd x höjd (utan skärblad) utan skydd	mm	975 x 242 x 241
Vikt (förutom plastskydd och skärblad)	kg	4,6
Volym (bränsletank)	L	0,6
Volym (oljebehållare)	L	0,08
Cylindervolym	cm ³	25,4
Maximal motoreffekt	kw	0,77 vid 7 000 min ⁻¹
Motorvarvtal vid rekommenderat maximalt axelvarvtal	min ⁻¹	10 000
Tomgångsvarvtal	min ⁻¹	3 000
Ingreppsvarvtal för koppling	min ⁻¹	3 900
Förgasare	Membrantyp	
Tändsystem	Kontaktfritt, magnettyp	
Tändstift	typ	NGK CMR4A
Elektrodavstånd	mm	0,7 - 0,8
Bränsle	Motorbensin	
Motorolja	API-kvalitet SF-klass eller högre, SAE 10W-30-olja (motorolja för 4-taktsmotor)	

Vibration

Tillsats	Höger handtag (Bakre grepp)		Vänster handtag (Främre grepp)		Tillämpliga standarder
	$a_{nv\ eq}$ (m/s ²)	Måttolerans K (m/s ²)	$a_{nv\ eq}$ (m/s ²)	Måttolerans K (m/s ²)	
EM400MP	6,5	1,2	5,9	1,8	ISO 22867
EM401MP	5,6	2,1	4,8	1,0	ISO 22867
ER400MP	7,1	2,8	5,5	2,7	ISO 22867
EY400MP	9,4	2,0	4,2	2,0	ISO 22867
EY400MP + LE400MP	4,8	2,0	3,4	2,0	ISO 22867
EY401MP	6,5	2,0	3,8	2,0	ISO 22867
EY401MP + LE400MP	5,6	2,0	3,4	2,0	ISO 22867
EN400MP	8,4	1,8	5,0	0,7	ISO 10517
EN400MP + LE400MP	8,0	1,7	4,3	0,7	ISO 10517
KR400MP	5	1,1	4,4	2,3	ISO 22867
EJ400MP	7,1	1,5	4,9	1,5	ISO 22867
EJ400MP + LE400MP	6,4	0,6	4,0	0,7	ISO 22867
EN401MP	8,0	1,7	5,8	1,0	ISO 10517
EN401MP + LE400MP	10,5	1,5	8,0	1,5	ISO 10517
EN410MP	7,4	2,9	4,6	0,9	ISO 10517
EN410MP + LE400MP	10,5	4,1	5,7	2,1	ISO 10517
EN420MP	8,4	1,2	5,7	3,5	ISO 10517
EE400MP	8,6	1,7	3,5	1,6	ISO 22867

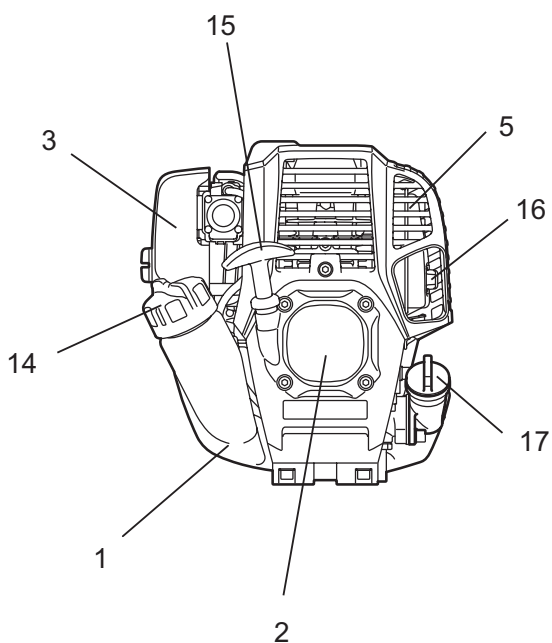
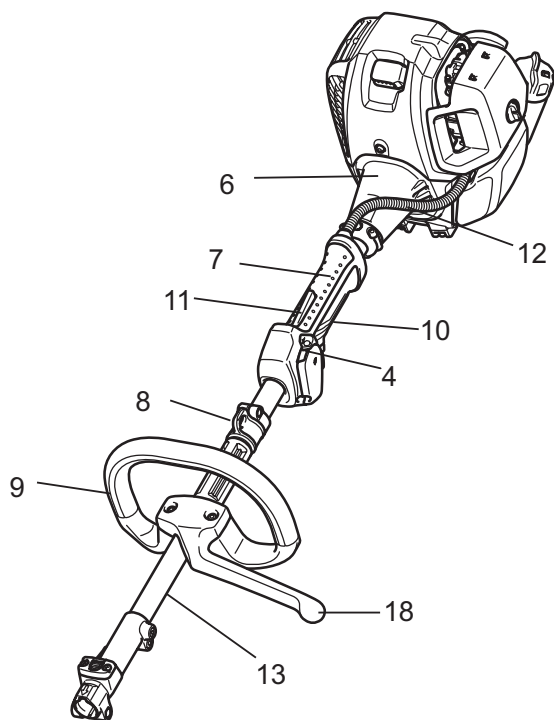
Buller

Tillsats	Genomsnittlig ljudtrycksnivå		Genomsnittlig ljudeffektnivå		Tillämpliga standarder
	L _{PAeq} (dB (A))	Mättolerans K (dB (A))	L _{WAeq} (dB (A))	Mättolerans K (dB (A))	
EM400MP	95,0	4,4	105,5	3,3	ISO 22868
EM401MP	89,9	3,6	99,7	2,7	ISO 22868
ER400MP	97,9	4,2	106,2	4,0	ISO 22868
EY400MP	93,0	2,5	104,5	2,5	ISO 22868
EY400MP + LE400MP	90,3	2,5	107,8	2,5	ISO 22868
EY401MP	92,6	2,5	104,7	2,5	ISO 22868
EY401MP + LE400MP	90,5	2,5	107,9	2,5	ISO 22868
EN400MP	93,1	4,4	102,9	4,8	ISO 10517
EN400MP + LE400MP	87,8	1,9	103,0	2,0	ISO 10517
KR400MP	93,7	2,6	99,7	1,2	ISO 22868
EJ400MP	89,0	2,3	99,8	1,1	ISO 22868
EJ400MP + LE400MP	88,1	2,2	100,8	2,3	ISO 22868
EN401MP	90,7	1,6	102,1	1,7	ISO 10517
EN401MP + LE400MP	89,2	2,9	102,0	1,6	ISO 10517
EN410MP	87,8	0,8	102,3	1,7	ISO 10517
EN410MP + LE400MP	88,7	1,1	102,9	0,9	ISO 10517
EN420MP	88,7	1,0	101,3	0,7	ISO 10517
EE400MP	89,5	2,0	99,7	2,6	ISO 22868

GODKÄNDA TILLSATSER

TILLSATSER	Modeller
Röjsågstilltsats	EM400MP, EM401MP
Grästrimmertillsats	ER400MP
Stamkvistartillsats	EY400MP, EY401MP
Häcktrimmertillsats	EN400MP, EN401MP, EN410MP
Tillsats till slyxax	EN420MP
Jordfrästillsats	KR400MP
Kaffeplockartillsats	EJ400MP
Kantskärartillsats	EE400MP
Skaffförlängningstilltsats	LE400MP

EX2650LH



S	DELAR
1	Bränsletank
2	Ryckstartsmekanism
3	Luftrenare
4	I-O strömbrytare (på/av)
5	Ljuddämpare
6	Kopplingshus
7	Bakre grepp
8	Hållare
9	Handtag
10	Gasreglage
11	Säkerhetsspärr
12	Kontrollreglage-kabel
13	Skaft
14	Tanklock
15	Starthandtag
16	Avgasrör
17	Oljelock
18	Skydd*

Obs: I vissa länder medföljer inte skyddet med maskinen.

MONTERING AV HANDTAG

FÖRSIKTIGHET: Stanna alltid motorn och dra loss tändkabeln från tändstiftet innan du utför någon form av arbete på det multifunktionella verktygshuvudet.

Bär alltid skyddshandskar!

FÖRSIKTIGHET: Starta det multifunktionella verktygshuvudet endast när det är helt färdigmonterat.

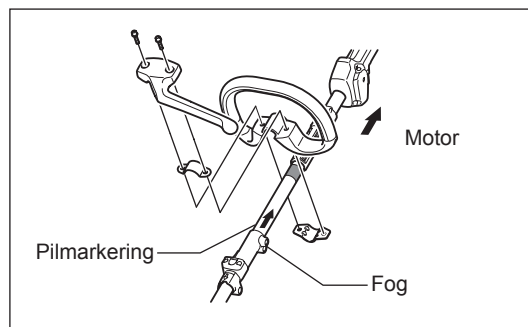


Montering av bygelhandtag

- Passa in skyddet och greppet på skaftet och fäst dem med två skruvar och klämmor. Placera nu skyddet på vänster sida om maskinen, såsom illustreras.
- Kontrollera att grepp-/skyddsstrukturen är placerad mellan brickan och pilmarkeringen. Ta inte bort eller minska brickan.
- Ta inte bort skyddet när det väl är monterat.

FÖRSIKTIGHET: montera aldrig greppet på märkskylten eller fogen.

Obs: I vissa länder medföljer inte skyddet eller pilmarkeringen med maskinen.



MONTERING AV TILLSATS

FÖRSIKTIGHET: Stanna alltid motorn och dra loss tändkabeln från tändstiftet innan du utför någon form av arbete på det multifunktionella verktygshuvudet.

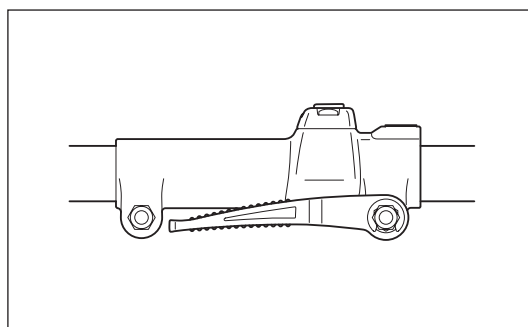
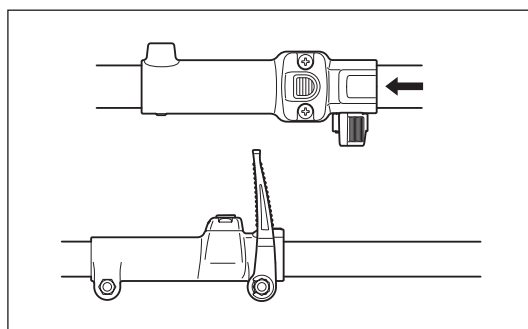
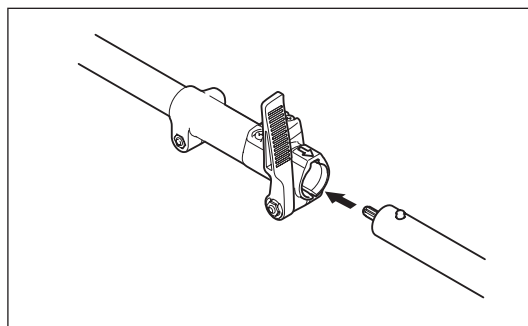
Bär alltid skyddshandskar!

FÖRSIKTIGHET: Starta det multifunktionella verktygshuvudet endast när det är helt färdigmonterat.



Montering

- Lossa spaken.
- Rikta in tillsatsens stift med spåret i anslutningsdelen och för in stiftet.
- För in tillsatsen till pilmarkeringen på tillsatsen. Kontrollera att knappen har höjts upp.
- Dra åt spaken.
(För hjälp, se figurer till höger.)

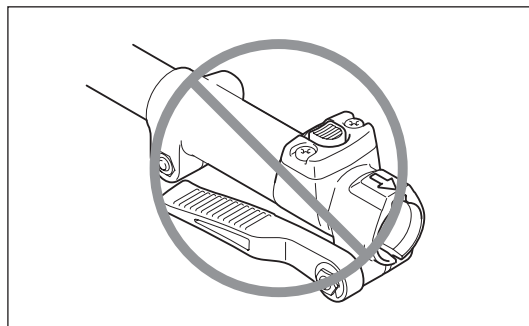
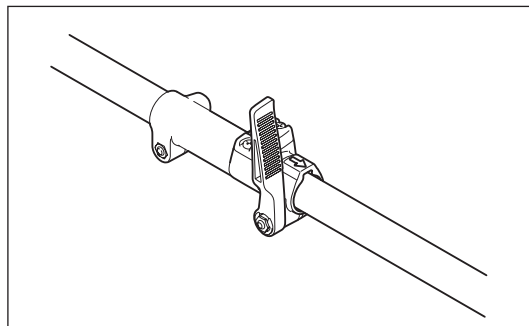


DEMONTERING

- Lossa spaken.
- Tryck på knappen och dra ut tillsatsen.
(Försök att dra ut tillsatsen så rakt som möjligt.)

Obs:

- Lämna inte spaken i åtdraget läge när tillsatsen inte är fastsatt.



INNAN DU BÖRJAR ANVÄNDA MASKINEN

Kontroll och påfyllning av motorolja

- Genomför följande procedur med kall motor.
- Placera motorn plant, ta bort oljelocket (Fig. 1) och kontrollera om det finns olja mellan den övre och nedre nivåmarkeringen i oljeröret (Fig. 2).
- Fyll på med olje upp till den övre markeringen om det behövs (oljenivån är nära den nedre gränsmarkeringen) (Fig. 3).
- Området runt de utvändiga markeringarna är genomskinligt så mängden olja på insidan kan kontrolleras utan att oljelocket behöver tas bort. Om oljeröret blir extremt smutsigt går det kanske inte att se och oljenivån måste då kontrolleras mot den graderade sektionen på insidan av oljeröret.
- Oljepåfyllningstiden är cirka var 10:e tim (var 10:e påfyllning).
Gör ett oljebyte om oljan ändrar färg eller är smutsig. (Intervall och metod för byte framgår av sidan 36)

Rekommenderad olja: SAE 10W-30 enligt API-klassificering, klass SF eller högre (4-taktsmotor för bil)

Oljevoly: Ungefär 0,08L

Obs: Om motorn inte hålls upprätt kan olja rinna ut i motorn och för mycket olja fyllas på.
Om oljan fylls på över gränsen, kan den bli nedsmutsad eller börja brinna med en vit rök.

Punkt 1 i Byte av olja: "Oljelock"

- Torka rent runt oljepåfyllningshålet och ta bort oljelocket.
- Se till att oljelocket inte smutsas ner med sand eller damm. Sand och damm som fastnar på oljelocket kan störa oljecirkulationen eller orsaka förslitning på motordelar vilket resulterar i problem.

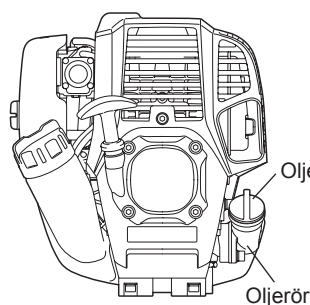


Fig. 1

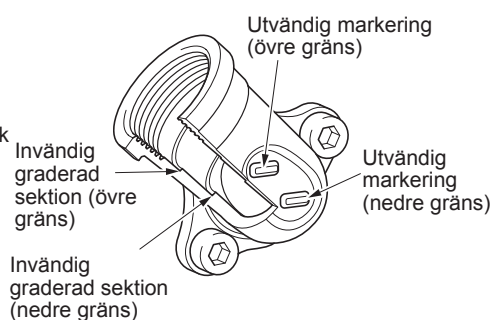


Fig. 2 Oljerör

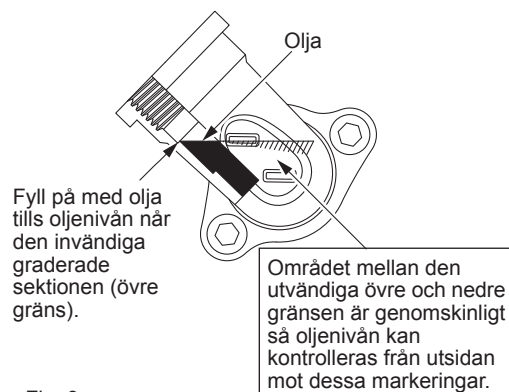
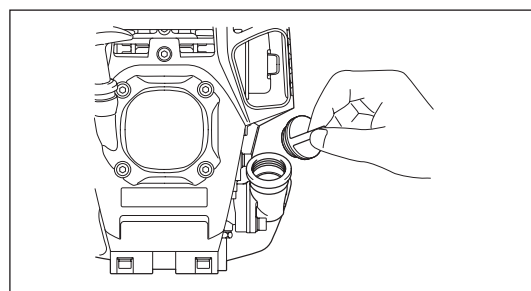
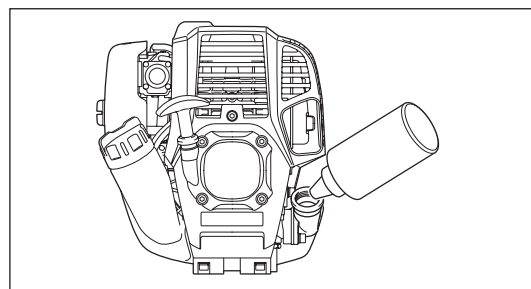


Fig. 3

(1) Håll motorn plant och ta bort oljelocket.



(2) Fyll på med olja upp till den övre gränsmarkeringen. (Se Fig. 3)
Använd en oljekanna vid påfyllning.



(3) Fäst oljelocket ordentligt. Felaktig fastsättning kan orsaka oljeläckage.

Obs

- Byt inte ut oljan med motorn i lutande läge.
- I annat fall kan det leda till att för mycket olja fylls på vilket orsakar oljenedsmutsning och/eller vit rök.

Punkt 2 i Byte av olja: "Om olja spills ut"

- Om olja spills ut mellan bränsletanken och motorn, sugs oljan in genom kylloftsintaget vilket smutsar ner motorn. Torka bort utspilld olja innan du startar maskinen.

TANKNING

Hantering av bränsle

Det är nödvändigt att hantera bränslet med största försiktighet. Bränsle kan innehålla ämnen liknande lösningsmedel. Tankningen måste utföras i ett väl ventilerat rum eller utomhus. Andas aldrig in bränsleångor och håll bränslet på avstånd. Om huden kommer i kontakt med bränslet upprepade gånger eller under lång tid, blir huden torr vilket kan orsaka hudsjukdomar eller allergi. Om bränsle kommer in i ögonen ska de rengöras med rent vatten. Om ögonen fortfarande är irriterade efter rengöringen, ska en läkare kontaktas.

Förvaringsperiod för bränsle

Bränslet ska användas upp inom 4 veckor även om det förvaras i specialbehållare i ett väl ventilerat mörkt utrymme. Om specialbehållare inte används eller om behållaren inte är övertäckt kan bränslet förstöras på en enda dag.

FÖRVARING AV MASKIN OCH RESERVDUNK

- Förvara maskinen och reservdunken på en sval plats utan direkt solljus.
- Förvara aldrig bränslet i kupén eller bagageutrymmet.

Bränsle

Motorn är en fyrtaktsmotor. Använd endast bilbensin (95 eller 98 oktan).

Viktigt om bränsle

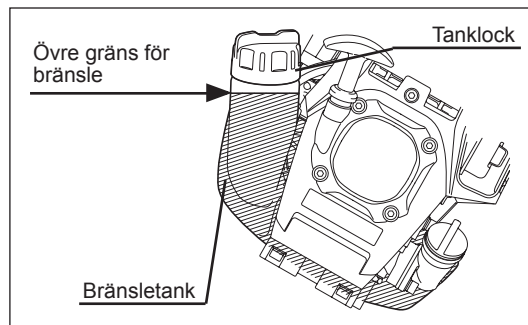
- Använd aldrig en bensinblandning som innehåller motorolja. Det kan leda till sotbildning och mekaniska fel.
- Användning av gammal olja kan orsaka startproblem.

Tankning

VARNING: LÄTTANTÄNDLIGA MATERIAL ÄR STRIKT FÖRBJUDNA

Bensin som ska användas: bilbensin (blyfri bensin)

- Lossa tanklocket något för att anpassa trycket i tanken till omgivande lufttryck.
 - Ta bort tanklocket och tanka. Släpp ut luft genom att luta bränsletanken så att tankhålet är riktat uppåt. (Fyll aldrig på bränsle i oljepåfyllningshålet.)
 - Torka av ordentligt längst ut på tanklocket för att förhindra att främmande partiklar kommer in i bränsletanken.
 - Skruva fast tanklocket ordentligt när du har tankat.
-
- Byt ut tanklocket om det har någon spricka eller om det är skadat.
 - Tanklocket är en förslitningsdetalj och ska därför bytas ut vartannat eller vart tredje år.



KORREKT HANTERING AV MASKINEN

Fastsättning av axelrem

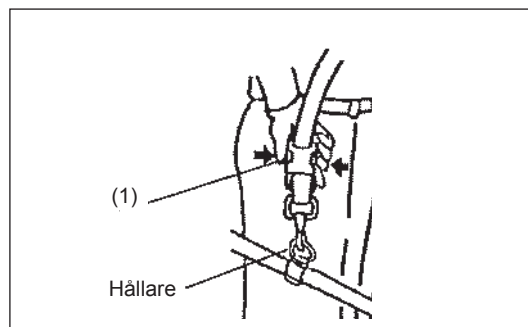
- Justera remlängden så att den passar för din manövrering av verktyget.

Frånkoppling

- I en nödsituation ska du trycka in spärrarna (1) på båda sidor och lösgöra dig från maskinen.

Var ytterst försiktig så att du behåller kontroll över maskinen nu. Låt inte maskinen böjas mot dig eller mot någon annan i arbetsområdets närhet.

VARNING: Att inte lyckas behålla full kontroll över maskinen kan leda till allvarlig kroppsskada eller DÖD.



VIKTIGT VID ANVÄNDNING OCH HUR MAN STANNAR

Lägg märke till de tillämpliga förebyggande olycksföreskrifterna!

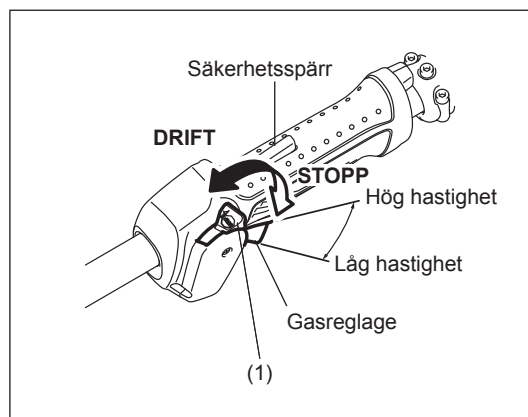


STARTA

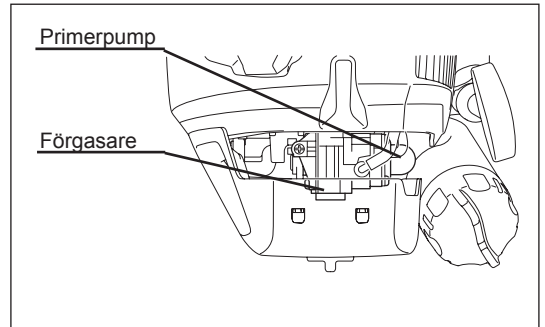
Flytta dig minst 3 m bort från platsen för tankningen. Placera det multifunktionella verktygshuvudet på en ren plats på marken och var försiktig så att tillsatsen inte kommer i kontakt med marken eller några andra föremål.

A: Kallstart

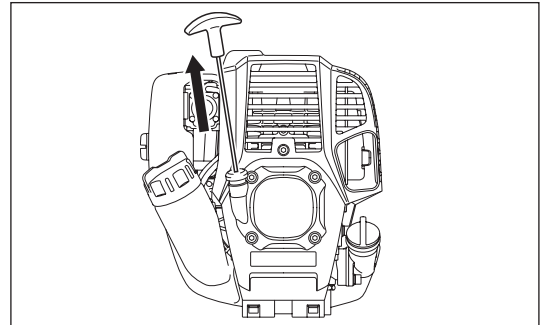
- 1) Placera maskinen på en plan yta.
- 2) Ställ in I-O strömbrytaren (1) på DRIFT.



- 3) Primerpump
Fortsätt att trycka på primerpumpen tills bränsle kommer in i primerpumpen.
(I allmänhet kommer bränsle in i primerpumpen med 7 till 10 tryckningar.)
Om du tryckte för många gånger på primerpumpen går bensinöverskottet tillbaka till bränsletanken.



- 4) Startsnöre
Dra försiktigt i starthandtaget tills du känner motstånd (kompressionspunkten). För sedan tillbaka starthandtaget och dra i det hårt.
Dra aldrig ut startsnöret helt. Släpp inte starthandtaget genast. Håll i det tills det återgått till sitt ursprungliga läge.
- 5) Värm upp den på rätt sätt
Fortsätt uppvärmningen under 2 – 3 minuter.



Obs: I händelse av för stor bränsletillförsel ska du ta bort tändstiftet och sakta dra i starthandtaget för att ta bort överskottsbränslet. Torka också av tändstiftets elektrodel.

Försiktighet under användning:

Om gasreglaget är fullt öppet vid tomgångskörning, ökar motorvarvtalet till 10 000 min⁻¹ eller mer. Använd aldrig motorn med högre varvtal än vad som krävs och med ett varvtal på cirka 6 000 - 8 500 min⁻¹.

B: Upstart efter uppvärmning

- 1) Tryck upprepade gånger på primerpumpen.
- 2) Håll gasreglaget i tomgångsläget.
- 3) Dra hårt i startsnöret.
- 4) Öppna gasen med ca 1/3 om motorn är svår att starta.
Var uppmärksam på tillsatsen som kan rotera.

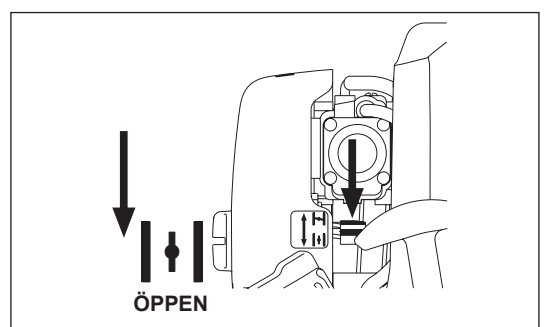
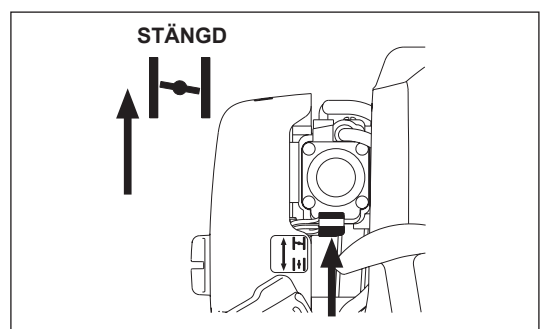
Ibland som på vintern är det svårt att starta motorn

Använd chokereglaget på följande sätt vid start av motorn.

- Efter att du genomfört stegen 1) till 3) för att starta upp, ställ in chokereglaget i läget CLOSE (stängd).
- Genomför steg 4) för att starta upp, och starta motorn.
- När motorn startat, ställ chokereglaget i läget OPEN (öppen).
- Genomför steg 5) för att starta upp och slutför uppvärmningen.

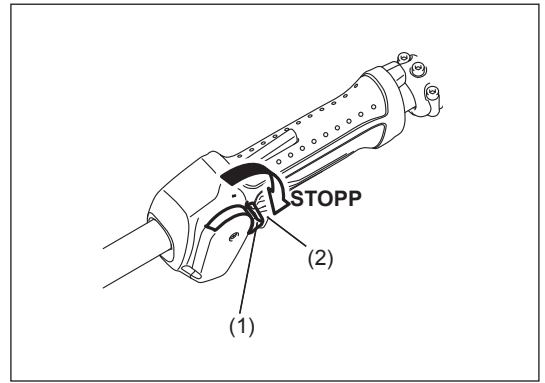
FÖRSIKTIGHET: Om ett smällande ljud (explosivt ljud) hörs och motorn stannar, eller om den precis startade motorn tjuvstannar innan chokereglaget används, ska du föra tillbaka chokereglaget till läget OPEN (öppen) och dra i starthandtaget några gånger igen för att starta motorn.

FÖRSIKTIGHET: Om chokereglaget lämnas i läget CLOSE (stängd) och starthandtaget dras i upprepade gånger, kommer för mycket bränsle att sugas in och motorn kommer att bli svårstartad.



STANNA

- 1) Släpp gasreglaget (2) helt och när motorns rpm har gått ner, ställ I-O strömbrytaren på STOPP och motorn kommer att stanna.
- 2) Var medveten om att tillsatsen inte stannar med en gång men tillåt den att sakta ner helt.

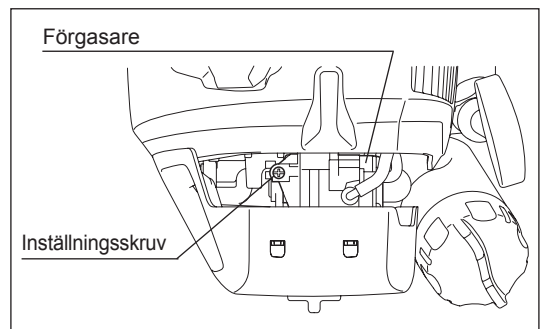


JUSTERING AV TOMGÅNGSVARVTAL

När det är nödvändigt att justera tomgångsvarvtalet ska det utföras genom förgasarens inställningsskruv.

KONTROLL AV TOMGÅNGSVARVTALET

- Ställ in tomgångsvarvtalet på 3 000 min⁻¹. Om varvtalet behöver ändras justerar du inställningsskruven (illustrerad till höger) med en Philips-skruvmejsel.
- Vrid inställningsskruven åt höger för att öka motorvarvtalet. Vrid inställningsskruven åt vänster för att minska motorvarvtalet.
- Förgasaren justeras i allmänhet före leverans. Om det är nödvändigt att justera den på nytt, var god och kontakta en auktoriserad serviceverkstad.



SERVICEANVISNINGAR

FÖRSIKTIGHET: Stanna alltid motorn och dra loss tändhatten från tändstiftet (se avsnittet "kontrollera tändstiftet") innan du utför någon form av arbete på det multifunktionella verktygshuvudet.

Bär alltid skyddshandskar!

Använd inte bensin, thinner, alkohol eller liknande. Missfärgning, deformation eller sprickor kan uppstå.

Följande servicearbeten ska utföras regelbundet för att försäkra en lång livslängd och för att undvika skada på utrustningen.

Daglig kontroll och underhåll

- Kontrollera maskinen så att det inte finns några lösa skruvar eller saknas delar innan du börjar använda den. Var särskilt uppmärksam på tillsatsen så att den monteras säkert på plats.
- Kontrollera alltid så att luftkylningspassagen och cylinderns flänsar inte är igensatta. Rengör dem vid behov.
- Utför följande arbete dagligen efter användning:
 - Rengör det multifunktionella verktygshuvudet på utsidan och kontrollera om skador har uppstått.
 - Rengör luftfiltret. Rengör det flera gånger per dag när du arbetar under extremt dammiga förhållanden.
 - Kontrollera så att det finns en tillräcklig skillnad mellan tomgångskörning och startvarvtal för att försäkra att tillsatsen är stillastående medan motorn går på tomgång (minska tomgångsvarvtalet om det är nödvändigt). Kontakta din närmaste auktoriserade serviceverkstad om verktyget under tomgångskörningen fortfarande snurrar.
- Kontrollera funktionen för I-O strömbrytaren, säkerhetsspärren och kontrollreglaget.

BYTE AV MOTOROLJA

Föråldrad motorolja medför en avsevärd förkortning av livslängden på glidande och roterande delar. Kontrollera bytesintervallen och -mängden.



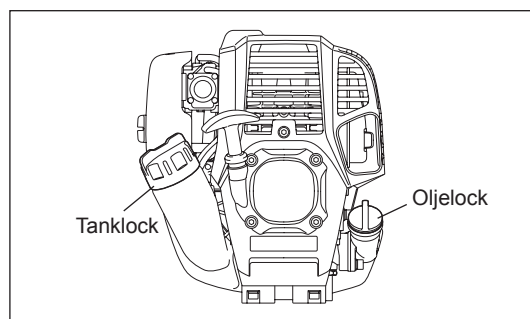
OBSERVERA: I allmänhet är motorn och motoroljan mycket varma precis efter att motorn har stängts av. Kontrollera därför att motor- och oljetemperaturen har sjunkit tillräckligt innan du påbörjar oljebytet. I annat fall finns risk för brännskador.

Obs: Om du fyller på för mycket olja kan oljan bli nedsmutsad eller börja brinna med vit rök.

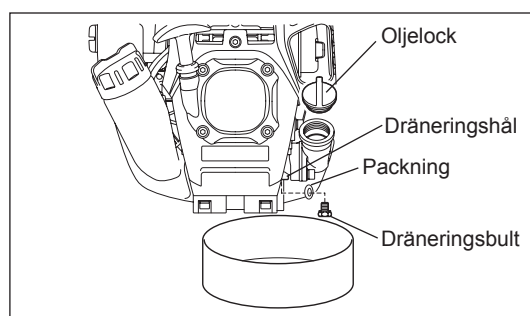
Bytesintervall: Första gången efter 20 drifttimmar och därefter var 50:e driftimme
Rekommenderad olja: SAE 10W - 30 enligt API-klassificering, klass SF eller högre (4-takts bilmotor)

Utför oljebytet på följande sätt.

- 1) Kontrollera att tanklocket är ordentligt åtdraget.
- 2) Placera en stor behållare (skål etc.) under dräneringshålet.

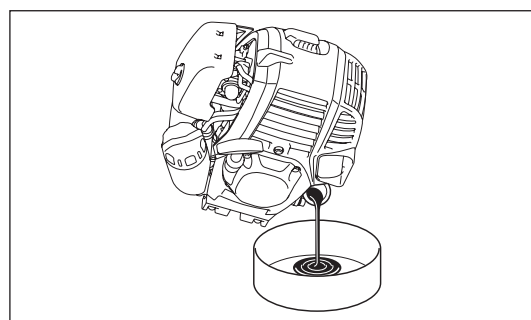


- 3) Ta bort dräneringsbulten och sedan oljelocket för att tömma ut oljan genom dräneringshålet. Se till att du inte förlorar dräneringsbultens packning eller smutsar ner någon av de borttagna komponenterna.
- 4) När all olja väl har tömts ut ska packningen och dräneringsbulten sättas ihop. Fäst dräneringsbulten säkert så att den inte lossar och orsakar läckage.
* Använd en tygrasa för att torka bort all olja från bulten och utrustningen.

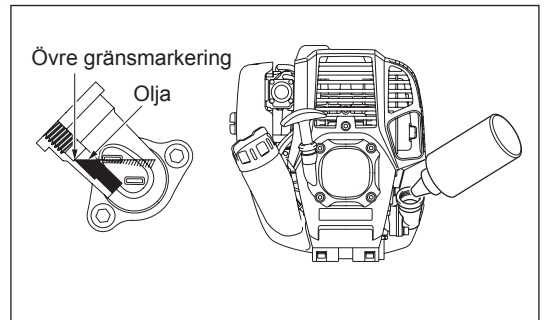
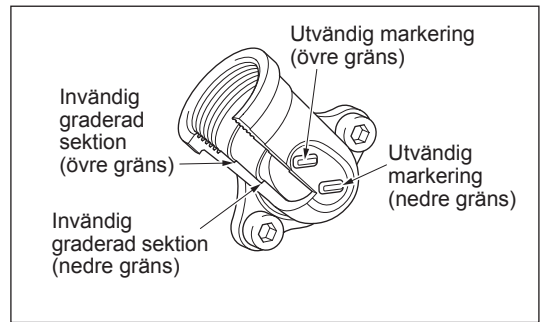


Alternativ dräneringsmetod

Ta bort oljelocket, luta det multifunktionella verktygshuvudet mot oljepåfyllningshålet och töm ut oljan. Samla upp oljan i behållaren.



- 5) Placera motorn plant och fyll gradvis på med ny olja upp till övre gränsmarkeringen.
- 6) Efter påfyllningen drar du åt oljelocket ordentligt så att det inte lossar och orsakar läckage.
Om oljelocket inte är fäst ordentligt kan det läcka.



VIKTIGT OM OLJA

- Kasta aldrig motorolja i soptunnan, på marken eller i avloppet. Det finns föreskrifter för avfallshantering av olja. Följ alltid gällande regelverk vid bortskaffande av olja. Kontakta en auktoriserad serviceverkstad vid tveksamheter.
- Olja åldras även om den inte används. Genomför regelbundna kontroller och oljebytten (byt olja var 6:e månad).

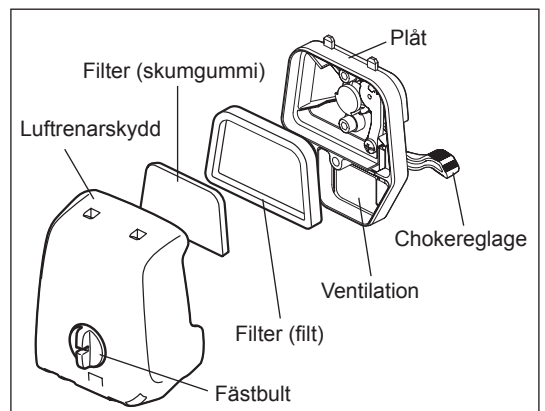
RENGÖRING AV LUFTRENARE



FARA: LÄTTANTÄNDLIGA MATERIAL ÄR STRIKT FÖRBJUDNA

Rengörings- och inspektionsintervall: dagligen (var 10:e drifttimme)

- Stäng chokereglaget helt och håll förgasaren borta från damm och smuts.
- Lossa fästbulten.
- Ta av luftrenarskyddet genom att dra i dess undersida.
- Ta ur filtren och knacka lätt på dem för att avlägsna smuts.
- Om filtren är mycket smutsiga:
Ta bort filtren, sänk ner dem i varmt vatten eller i svag disk-medelslösning och låt dem torka helt. Kläm inte ihop eller gnugga dem när du tvättar.
- Innan du monterar tillbaka filtren måste de vara ordentligt torra. Filter som inte är helt torra kan medföra startsvårigheter.
- Torka bort oljerester runt luftrenarskyddet och ventilationsdelen med en trasa.
- Passa in filtret (skumgummi) i det andra filtret (filt).
- Passa in filtren i plåten så att skumgummit är riktat mot luftrenarskyddet.
- Skruva fast luftrenarskyddet och dra åt det med fästbultar. (Sätt först i den övre hållaren och sedan den undre vid återmonteringen.)



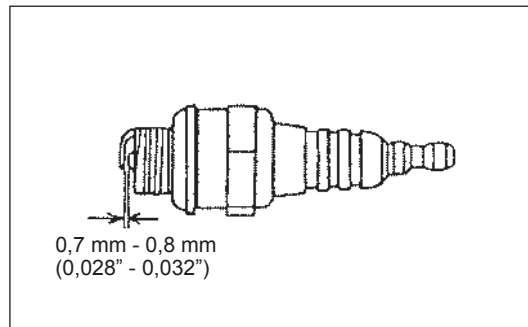
OBSERVERA:

- Rengör filtren flera gånger om dagen om det fastnar mycket smuts i dem. Smutsiga filter minskar motorstyrkan och medför startsvårigheter.
- Avlägsna olja på filtren. Om du fortsätter arbetet med oljebemängda filter kan läckande olja från luftrenaren förorena omgivningen.
- Lägg inte filtren på marken eller på smutsiga platser. Annars kan smuts eller skräp fastna på dem och skada motorn.
- Rengör aldrig filtren med drivmedel. Drivmedel kan skada filtren.

KONTROLLERA TÄNDSTIFTET

- Använd den medföljande nyckeln endast till att ta bort eller montera tändstiftet.
- Avståndet mellan de två tändstiftselektrodena ska vara 0,7 - 0,8 mm (0,028" - 0,032"). Justera avståndet om det är för stort eller för litet. Om tändstiftet är igensatt eller smutsigt ska det rengöras ordentligt eller bytas ut.

FÖRSIKTIGHET: Ta aldrig i tändstiftets tändkabel medan motorn går (risk för högspänningsstöt).



RENGÖRING AV BRÄNSLEFILTER

VARNING: LÄTTANTÄNDLIGA MATERIAL ÄR STRIKT FÖRBJUDNA

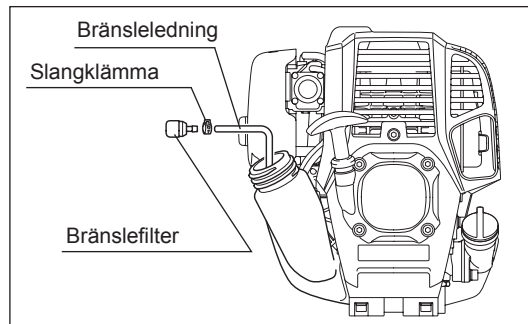
Rengörings- och inspektionsintervall: månadsvis (var 50:e driftimme)

Filterkapsel i bränsletank

Kontrollera bränslefiltret regelbundet enligt följande steg.

- (1) Ta bort tanklocket och töm tanken. Kontrollera att det inte finns några främmande partiklar i tanken. Ta bort eventuella främmande partiklar i tanken.
- (2) Använd en ståltrådkrok för att dra ut filterkapseln genom tanköppningen.
- (3) Rengör bränslefiltret om det är igensatt. Rengör filtret genom att sänka ner det i drivmedel och skaka och knacka lätt på det. Skada inte filtret genom att klämma ihop eller gnugga det. Drivmedel som används för rengöring måste bortskaffas enligt ditt lands föreskrifter. Filter som har hårdnat eller satts igen ska bytas ut.
- (4) Efter utförd kontroll, rengöring eller utbyte ska du trycka in bränslefiltret hela vägen till botten på bränsletanken.

Igensatt eller skadat bränslefilter kan orsaka otillräcklig bränsletillförsel och minska motorstyrkan. Byt ut bränslefiltret åtminstone varje kvartal för att garantera att tillräckligt med bränsle levereras till förgasaren.



BYTE AV BRÄNSLELEDNING

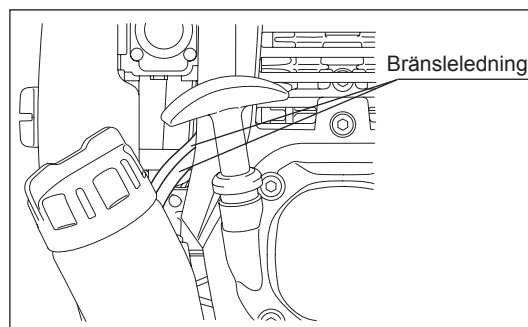
FÖRSIKTIGHET: LÄTTANTÄNDLIGA MATERIAL ÄR STRIKT FÖRBJUDNA

Rengörings- och inspektionsintervall: dagligen (var 10:e driftimme)

Utbyte: årligen (var 200:e driftimme)

Byt ut bränsleledningen varje år utan hänsyn till driftfrekvens. Bränsleläckage kan leda till brand.

Byt omedelbart ut bränsleledningen om något läckage upptäcks under inspektion.



KONTROLL AV BULTAR, MUTTRAR OCH SKRUVAR

- Dra åt lösa bultar, muttrar osv.
- Kontrollera om det förekommer bränsle- eller oljeläckage.
- Byt ut skadade delar mot nya för att garantera säker funktion.

RENGÖRING AV DELAR

- Håll alltid motorn ren.
- Se till att cylinderns flänsar inte blir nedsmutsade och igensatta. Damm och smuts som ansamlas på flänsarna leder till skador på kolven.

BYTE AV PACKNINGAR OCH BRICKOR

Vid återmontering efter att motorn monterats isär ska packningar och brickor bytas ut mot nya.

Underhåll av justeringsarbete som inte beskrivs i denna bruksanvisning får endast utföras av auktoriserad serviceverkstad.

FÖRVARING

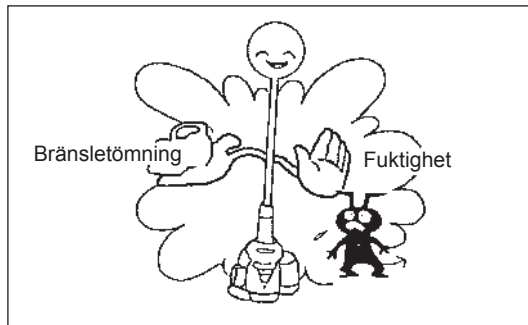


VARNING: Stäng av motorn och låt den svalna innan bränslet töms ur. Precis efter att motorn har stannat är den så varm att det finns risk för brännskador, explosion och brand.



OBSERVERA: När maskinen inte ska användas under en längre tid ska allt bränsle tömmas ur tanken och förgasaren. Förvara den sedan i ett torrt och rent utrymme.

- Töm bränsletanken och förgasaren på följande sätt:
 - 1) Ta bort tanklocket och töm tanken helt.
Ta bort eventuella främmande partiklar i tanken.
 - 2) Dra ur bränslefiltret med en ståltråd genom tankhålet.
 - 3) Tryck på primerpumpen tills den är tömd på bränsle och töm ur bränslet som fyllts på i tanken.
 - 4) Sätt tillbaka filtret i bränsletanken och skruva fast tanklocket ordentligt.
 - 5) Kör sedan motorn tills den stannar.
- Ta bort tändstiftet och droppa flera droppar med motorolja i tändstiftshålet.
- Dra försiktigt i starthandtaget för att fördela oljan i motorn och montera tillbaka tändstiftet.
- Rör inte reglaget i det låsta läget när du inte monterar tillsatsen.
När reglaget står i det låsta läget utan att tillsatsen har monterats går det inte att montera skafet på tillsatsen.
- Maskinen ska normalt förvaras i horisontellt läge. Om detta inte är möjligt ska den placeras så att motorn är under skärverktyget. I annat fall kan motorolja läcka från insidan.
- Se alltid till att förvara maskinen på en säker plats för att förhindra att maskinen skadas och personsador.
- Förvara bränslet som tömts ut i en specialbehållare i ett välventilerat, mörkt utrymme.



Uppmärksamhet efter lång tids förvaring

- Var noga med att byta ut oljan (se sidan 36) innan du startar upp maskinen efter lång tids förvaring. Oljan försämras när maskinen inte används.

Felsökning

Fel	System	Iakttagelse	Orsak
Motorn startar inte eller med svårighet	Tändsystem	Tändgnista OK	Fel på bränsleförsörjning eller kompressionssystem, mekaniskt fel
		Ingen tändgnista	STOPP-brytaren aktiverad, fel på elledning eller kortslutning, fel på tändstift eller tändkabel, fel på tändsystemet
	Bränsletillförsel	Fyllt bränsletank	Fel läge på chokereglaget, förgasarfel, bränsleledningen böjd eller igensatt, smuts i bränslet
	Kompression	Ingen kompression när motorn dras runt	Fel på topplockspackning, fel på vevhuslager, cylinder eller kolringar felaktiga, fel på tätning kring tändstift
Varmstartssvårigheter	Mekaniskt fel	Startmekanismen går inte i ingrepp	Trasig startfjäder, trasiga delar inuti motorn
		Tanken fylld och tändgnista finns	Smuts i förgasaren, rengör
Motorn startar men dör	Bränsletillförsel	Tanken fylld	Felaktig tomgångsinställning, smuts i förgasaren Fel på tankventilen, stopp i bränsleledningen, kabelfel, fel på STOPP-brytaren
Otillräcklig effekt	Flera system kan vara påverkade samtidigt	Dålig tomgång	Smutsigt luftfilter, smuts i förgasaren, igensatt ljuddämpare, igensatt cylinderutlopp

Artikel	Intervall	Före drift	Efter smörjning	Dagligen (10 tim)	30 tim	50 tim	200 tim	Stäng av/vila	Se sidan
Motorolja	Kontrollera	○							32
	Byt ut					○*1			36
Åtdragna delar (bult, mutter)	Kontrollera	○							38
Bränsletank	Rengör/kontrollera	○							—
	Bränsletömning							○*3	39
Gasreglage	Funktionskontroll		○						—
Stoppknapp	Funktionskontroll		○						35
Tomgångsvarvtal	Kontrollera/justera			○					35
Luftrenare	Rengör			○					37
Tändstift	Kontrollera			○					38
Luftkylningsledning	Rengör/kontrollera			○					38
Bränsleledning	Kontrollera			○					38
	Byt ut						◎*2		—
Bränslefilter	Rengör/byt ut					○			38
Spel mellan luftintags- och luftutsläppsspjäll	Justera						◎*2		—
Motoröversyn							◎*2		—
Förgasare	Bränsletömning							○*3	39

*1 Första bytet ska utföras efter 20 drifttimmar.

*2 Översyn efter 200 drifttimmar ska utföras av auktoriserad serviceverkstad eller allmän maskinverkstad.

*3 Kör motorn efter att bränsletanken har tömts för att tömma förgasaren på bränsle.

Kontrollera bruksanvisningen för alla tillsatser och utför underhåll på dem när de har använts.

FELSÖKNING

Gör följande felsökning innan maskinen lämnas till verkstad. Kontrollera maskinen i enlighet med anvisningarna i den här bruksanvisningen om något onormalt observeras. Delar som inte anges i beskrivningen får inte åtgärdas eller demonteras. Kontakta en auktoriserad serviceverkstad eller återförsäljaren för reparation.

Onormalt tillstånd	Möjlig orsak (fel)	Åtgärd
Motorn startar inte	Primerpumpen fungerar inte	Tryck 7 - 10 gånger
	Startsnöret dras för långsamt	Dra snabbare
	Bränslet slut	Fyll på bränsle
	Igensatt bränslefilter	Rengör
	Böjd bränsleledning	Räta ut bränsleledningen
	Gammalt bränsle	Gammalt bränsle gör det svårare att starta. Byt ut mot nytt. (Rekommenderad bytesintervall: 1 månad)
	För mycket bränsle	Ställ gasreglaget på medelhastighet till hög hastighet och dra i startsnöret tills motorn startar. När motorn startar börjar tillsatsen att rotera eller röra sig. Var helt uppmärksam på tillsatsen. Om motorn fortfarande inte startar ska du ta bort tändstiftet, torka av elektroden och sedan montera tillbaka dem. Starta sedan på angivet sätt.
	Lös tändhatt	Fäst ordentligt
	Smuts på tändstiftet	Rengör
	Fel tändstiftsinställning	Justera spelet
	Andra fel på tändstiftet	Byt ut
	Fel på förgasaren	Lämna maskinen på kontroll och service.
	Det går inte att dra i startsnöret	Lämna maskinen på kontroll och service.
Fel på drivsystemet	Lämna maskinen på kontroll och service.	
Motorn stannar omedelbart Motorvarvtalet ökar inte	Otillräckligt uppvärmd	Värm upp den på rätt sätt
	Chokereglaget står i stängt läge "CLOSE" (stängd) trots att motorn är uppvärmd	Ställ reglaget i öppet läge "OPEN" (öppen)
	Igensatt bränslefilter	Rengör eller byt ut
	Smutsig eller igensatt luftrenare	Rengör
	Fel på förgasaren	Lämna maskinen på kontroll och service.
	Fel på drivsystemet	Lämna maskinen på kontroll och service.
Tillsatsen roterar inte eller rör sig ↓ Stanna motorn omedelbart	Tillsatsen är inte isatt till angiven punkt.	Sätt i enligt anvisning.
Huvudenheten vibrerar onormalt ↓ Stanna motorn omedelbart	Tillsatsen är inte isatt till angiven punkt.	Sätt i enligt anvisning.
	Löst reglage	Dra åt ordentligt.
	Fel på drivsystemet	Lämna maskinen på kontroll och service.
Tillsatsen stannar inte omedelbart ↓ Stanna motorn omedelbart	Hög tomgångsrotation	Inställning
	Glapp i gasvajern	Fäst ordentligt
	Fel på drivsystemet	Lämna maskinen på kontroll och service.
Motorn stannar inte ↓ Kör motorn på tomgång och sätt chokereglaget på "CLOSE" (stängd)	Glappkontakt	Fäst ordentligt
	Fel på elsystemet	Lämna maskinen på kontroll och service.

Om motorn inte startar när den är varm:
Öppna gasreglaget med 1/3 om inga fel kan noteras och starta sedan motorn.
















Takk for at du kjøpte et flerfunksjonelt motorhode fra MAKITA. Vi har gleden av å anbefale det flerfunksjonelle motorhodet fra MAKITA, som er et resultat av et langt utviklingsprogram og mange år med kunnskap og erfaring. Du må lese dette heftet. Her beskrives de ulike funksjonene i detalj, og den enestående ytelsen demonstreres. Dette vil gjøre det lettere for deg å oppnå så gode resultater som mulig med det flerfunksjonelle motorhodet fra MAKITA.



Innholdsfortegnelse	Side
Symboler	42
Sikkerhetsanvisninger	43
Tekniske data.....	46
Godkjent utstyr	47
Delebetegnelse	48
Montere håndtak.....	49
Montere utstyr.....	49
Demontering	50
Før maskinen tas i bruk.....	51
Korrekt håndtering av maskinen.....	53
Om driften og måter å stoppe maskinen på	53
Serviceanvisninger	56
Lagring.....	59

SYMBOLER

Du vil se følgende symboler når du leser bruksanvisningen.

	Les bruksanvisningen, og ta hensyn til advarslene og sikkerhetsinstruksjonene!		Bruk vernehjelm, vernebriller og hørselvern!
	Vær spesielt forsiktig!		Drivstoff (bensin)
	Forbudt!		Motor – manuell start
	Røyking forbudt!		Nødstop
	Bruk av åpen ild forbudt!		Førstehjelp
	Bruk vernehansker.		PÅ/START
	Bruk robust fottøy med såler som gir godt feste. Vernesko med stålkappe anbefales!		AV/STOPP
	Sørg for at ingen personer eller kjæledyr oppholder seg i bruksområdet!		

Riktig bruk av maskinen

Dette flerfunksjonelle motorhodet er beregnet på å drive et godkjent verktøy angitt i denne brukerhåndboken. Maskinen må aldri brukes til andre formål.

SIKKERHETSANVISNINGER

Generelle anvisninger

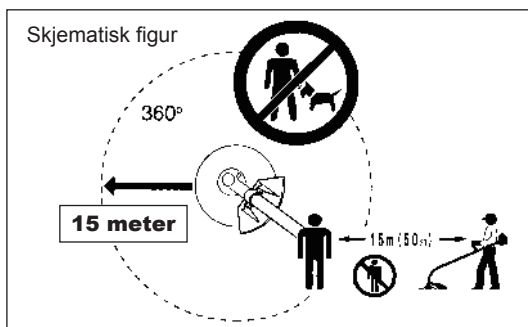
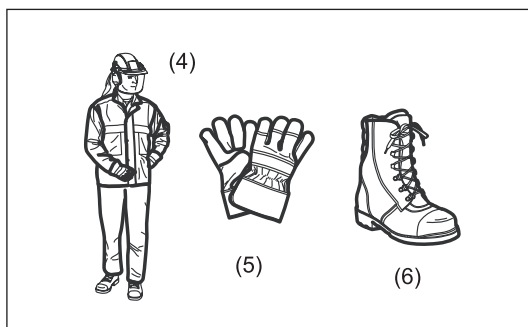
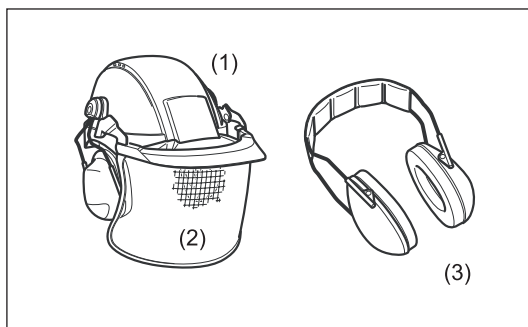
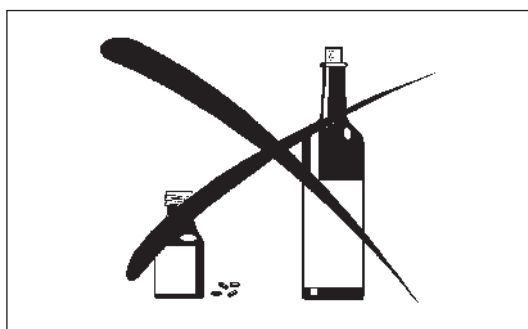
- Av sikkerhetshensyn er det absolutt nødvendig at brukeren leser denne bruksanvisningen nøye for å bli fortrolig med hvordan det flerfunksjonelle motorhodet skal håndteres. Utilstrekkelige kunnskaper kan føre til at brukeren utsetter seg selv og andre personer for fare ved uforsiktig håndtering.
- Vi anbefaler deg å kun låne ut det flerfunksjonelle motorhodet til personer som har påviselig erfaring med flerfunksjonelle motorhoder. Husk å legge ved bruksanvisningen ved utlån.
- Førstegangsbrukere bør spørre forhandleren om grunnleggende anvisninger for å bli fortrolig med bruken av gressrydderen.
- Det flerfunksjonelle motorhodet skal ikke brukes av barn og ungdommer under 18 år. Ungdom over 16 år er unntatt fra dette forbudet hvis de er i opplæring under tilsyn av en kyndig person.
- Flerfunksjonelle motorhoder må brukes med stor forsiktighet.
- Du skal kun betjene det flerfunksjonelle motorhodet dersom du er i god fysisk form. Utfør alt arbeid rolig og forsiktig. Brukeren er ansvarlig overfor andre personer.
- Du må aldri bruke det flerfunksjonelle motorhodet hvis du har drukket alkohol eller er under påvirkning av legemidler, narkotiske stoffer e.l., eller er trett eller føler deg dårlig.
- Nasjonale regelverk kan begrense bruken av maskinen.

Personlig verneutstyr

- Bruk funksjonelle og passende klær. De bør være tettstittede, men ikke gjøre det vanskelig å bevege seg. Ikke ha på smykker eller klær som kan føre til at du blir hengende fast i busker eller grener.
- For å forhindre skader på hode, hender, føtter, syn eller hørsel må følgende verneutstyr og verneklær benyttes ved bruk av det flerfunksjonelle motorhodet.
- Bruk alltid hjelm når det er fare for fallende gjenstander. Vernehjelmen (1) må regelmessig sjekkes mht. skader, og byttes ut senest etter fem år. Anvend kun godkjente vernehjelmer.
- Visiret (2) på hjelmen (eller alternativt vernebrillene) beskytter ansiktet mot flygende flis og steiner. Når du bruker det flerfunksjonelle motorhodet, må du alltid bruke vernebriller eller et visir for å hindre skader på øynene.
- Bruk passende personlig hørselvern for å unngå hørselskader (ørekløkker (3), ørepropper osv.).
- Arbeidsdress (4) beskytter mot flygende steiner og flis. Vi anbefaler på det sterkeste at brukerne bruker arbeidsdress.
- Spesialhansker (5) av tykt skinn inngår i det foreskrevne utstyret og må alltid brukes ved bruk av det flerfunksjonelle motorhodet.
- Ved bruk av det flerfunksjonelle motorhodet må du alltid bruke robust, sklissikkert fottey (6). Dette beskytter mot helseskader og sørger for godt fotfeste.

Starte det flerfunksjonelle motorhodet

- Pass på at det ikke er barn eller andre personer til stede. Vær også oppmerksom på eventuelle dyr i nærheten.
- Påse at utstyret er godt festet, at kontrollspaken er enkel å håndtere og at AV-sperrehendelen fungerer som den skal.
- Det er ikke lov å bevege utstyret mens det går på tomgang. Rådfør deg med forhandleren din om justeringer hvis du er i tvil. Kontroller at håndtakene er rene og tørre, og test funksjonen av start-/stopp-bryteren.

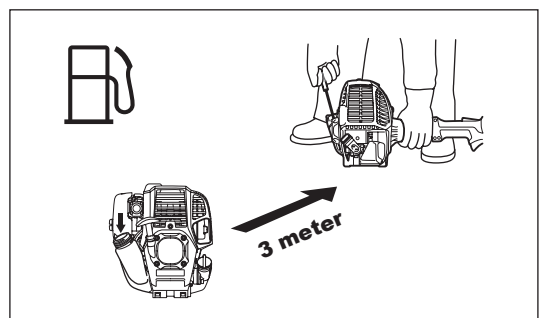
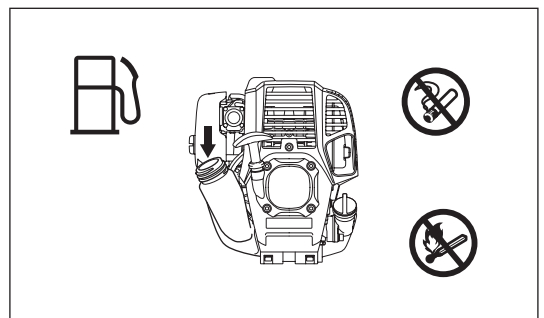
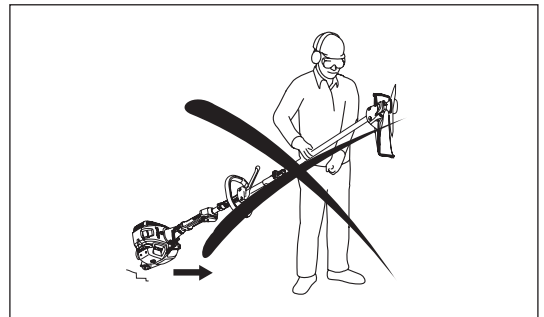
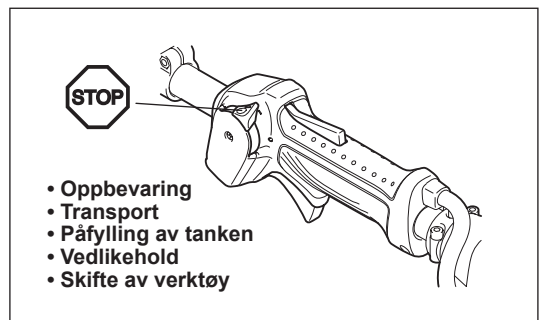
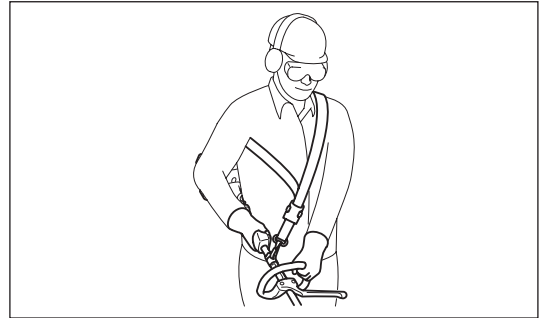
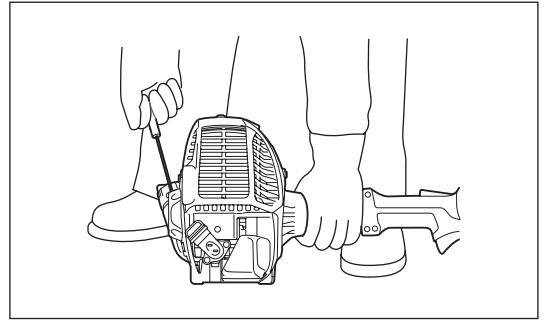


Det flerfunksjonelle motorhodet må kun startes i henhold til anvisningene.

- Ikke start motoren på andre måter!
- Det flerfunksjonelle motorhodet og verktøyene skal kun anvendes til de spesifiserte bruksområdene.
- Motoren til det flerfunksjonelle motorhodet må kun startes etter at sammensettingen er helt avsluttet. Det er ikke lov å bruke maskinen før alt relevant tilbehør er montert.
- Før du starter, må du forvise deg om at utstyret ikke berører harde gjenstander som grener, steiner osv., da utstyret vil rotere når det startes.
- Motoren må slås av med én gang hvis det skulle oppstå motorproblemer.
- Hvis utstyret kommer i kontakt med steiner eller andre harde gjenstander, må du slå av motoren omgående og kontrollere utstyret.
- Det flerfunksjonelle motorhodet må ikke brukes uten at skulderremmen er festet. Denne må være korrekt justert før det flerfunksjonelle motorhodet startes. Det er meget viktig å justere skulderremmen i henhold til brukerens størrelse, så ikke vedkommende blir unødvendig fort sliten av arbeidet. Gressrydderen må aldri holdes med én hånd mens den er i bruk.
- Det flerfunksjonelle motorhodet skal alltid holdes med begge hender under bruk.
Pass på at du har godt fotfeste.
- Det flerfunksjonelle motorhodet skal alltid brukes på en slik måte at du unngår å puste inn eksosen. Maskinen må aldri brukes i lukkede rom (fare for gassforgiftning). Karbonmonoksid er en gass uten lukt.
- Slå av motoren når du tar en hvil, eller når du lar det flerfunksjonelle motorhodet være uten tilsyn, og plasser det på et sikkert sted for å unngå å utsette andre mennesker for fare, eller at maskinen blir skadet.
- Det flerfunksjonelle motorhodet må aldri legges ned i tørt gress eller på brennbare materialer mens det er driftsvarmt.
- Alle beskyttelsesdeler og vern som fulgte med maskinen, må være montert når maskinen er i bruk.
- Maskinen må ikke brukes hvis lydtemperen ikke fungerer som den skal.
- Slå av maskinen under transport.
- Under transport over lange avstander må transportsikringen som fulgte med utstyret alltid brukes.
- Ved transport i kjøretøyer må man passe på at det flerfunksjonelle motorhodet ligger sikkert, for å unngå drivstofflekkasje.
- Sørg for at drivstofftanken til det flerfunksjonelle motorhodet er helt tom under transport.
- Når du laster ut det flerfunksjonelle motorhodet av transportkjøretøyet, må du aldri slippe maskinen ned på bakken, da dette kan medføre store skader på drivstofftanken.
- Unntatt i nødstilfeller må du aldri slippe eller kaste det flerfunksjonelle motorhodet ned på bakken, da dette kan påføre det store skader.
- Husk å løfte hele utstyret opp fra bakken når du skal flytte det. Å trekke drivstofftanken etter seg er meget farlig og vil medføre skader, drivstofflekkasje og fare for brann.
- Hvis utstyret blir utsatt for kraftig støt eller fall, kontroller tilstanden før arbeidet fortsettes. Kontroller drivstoffsystemet for lekkasje og at kontroll- og sikkerhetsinnretningene fungerer korrekt. Hvis utstyret er skadet eller du er i tvil, kontakt et autorisert servicesenter for inspeksjon og reparasjon.

Fylling av drivstoff

- Slå av maskinen før drivstoffpåfylling, hold den unna åpen ild, og ikke røyk.
- Unngå å få mineraloljeprodukter på huden. Ikke pust inn drivstoffgassene. Bruk alltid vernehansker når du fyller på tanken. Skift og vask verneklærne med jevne mellomrom.
- Ta hensyn til miljøet og vær forsiktig så du ikke søler drivstoff eller olje. Det flerfunksjonelle motorhodet skal rengjøres umiddelbart dersom drivstoff har lekket ut.
- Unngå å få drivstoff på klærne. Hvis du har fått drivstoff på klærne, må du skifte klær omgående (for å hindre at klærne tar fyr).
- Undersøk lokket på drivstofftanken med jevne mellomrom for å sjekke at det kan festes godt og ikke lekker.
- Skru godt igjen drivstofftanklokket. Fjern deg fra drivstoffet for å starte maskinen (minst 3 meter bort fra stedet hvor du fylte tanken).
- Fyll aldri tanken i lukkede rom. Drivstoffdamper samles på bakkenivå (eksplosjonsfare).
- Drivstoff må transporteres og oppbevares utelukkende i godkjente beholdere. Pass på at drivstoff oppbevares utilgjengelig for barn.

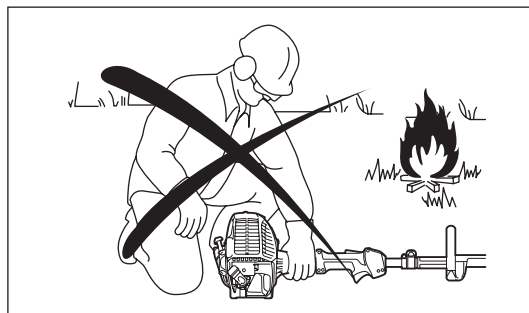


Bruksmåte

- Det flerfunksjonelle motorhodet må kun brukes i godt lys og med god sikt. Om vinteren må du være oppmerksom på glatte eller våte områder, is og snø (fare for å skli). Pass på at du har godt fotfeste.
- Du må aldri stå på en stige mens du betjener det flerfunksjonelle motorhodet.
- Du må aldri klatre opp i trær for å skjære med det flerfunksjonelle motorhodet.
- Arbeid aldri på ustabil underlag.
- Utstyret må nå sin fulle arbeidshastighet før du bruker det.
- Ta pauser for å unngå at du mister kontrollen på grunn av tretthet. Vi anbefaler en hvil på 10-20 minutter etter hver time.

Vedlikeholdsinstruksjoner

- Få utstyret ditt reparert på et kvalifisert servicesenter, og se til at de kun bruker originale reservedeler. Feilreparasjoner og dårlig vedlikehold kan korte ned levetiden på utstyret og øke faren for sykdommer.
- Det flerfunksjonelle motorhodet skal betjenes med så lite støy og forurensning som mulig. Kontroller spesielt at forgasseren er korrekt justert.
- Rengjør det flerfunksjonelle motorhodet med jevne mellomrom, og kontroller at alle skruer og muttere er trukket godt til.
- Ikke oppbevar eller utfør service på et flerfunksjonelt motorhode i nærheten av åpen ild.
- Det flerfunksjonelle motorhodet må alltid oppbevares i et avlåst rom og med tom drivstofftank.



Sikkerhetsforskrifter fra relevante yrkesorganisasjoner, myndigheter og forsikringselskaper må følges. Du må ikke modifisere det flerfunksjonelle motorhodet, da dette vil utgjøre en sikkerhetsfare.

Brukeren må ikke utføre annet vedlikehold eller reparasjonsarbeid enn det som er beskrevet i bruksanvisningen. Alt annet arbeid må utføres av en autorisert servicetekniker. Benytt bare ekte reservedeler og tilbehør godkjent og levert av MAKITA.

Bruk av ikke-godkjent utstyr og verktøy betyr økt risiko for ulykker.

MAKITA påtar seg ikke erstatningsansvar for ulykker eller skade forårsaket av bruk av ikke-godkjent utstyr eller festeordninger for utstyr, eller ikke-godkjent tilbehør.

Førstehjelp

I tilfelle ulykker må du ha et førstehjelpssett tilgjengelig i nærheten av arbeidsområdet. Forbrukt materiale fra førstehjelpssettet må straks etterfylles.

Hvis du trenger hjelp, må du oppgi følgende:

- Hvor ulykken skjedde
- Hva som har skjedd
- Antall personer som har kommet til skade
- Hvilken type skade det dreier seg om
- Navnet ditt



Vibrasjoner

- Hvis personer med dårlig sirkulasjon utsettes for kraftige vibrasjoner, kan det føre til skade på blodkar eller nervesystem. Som følge av vibrasjoner kan følgende symptomer oppstå på fingre, hender eller håndledd: Kroppsdelene "sovner" (nummenhet), kiling, smerter, stikkende følelse, endring av hudfargen eller av huden. Oppsøk lege hvis disse symptomene oppstår!
- For å unngå faren for å få "hvite fingre"-sykdom, må du holde hendene varme under bruk og vedlikehold av utstyr og tilbehør.

EF-SAMSVARERKLÆRING

Gjelder kun land i Europa

EF-samsvarserklæringen er inkludert som vedlegg A til denne bruksanvisningen.

TEKNISKE DATA EX2650LH

Modell		EX2650LH
Type håndtak		Buet håndtak
Mål: lengde x bredde x høyde (ikke medregnet bladet) med barriere	mm	975 x 323 x 241
Mål: lengde x bredde x høyde (ikke medregnet bladet) uten barriere	mm	975 x 242 x 241
Vekt (ikke medregnet plastbeskytter og blad)	kg	4,6
Volum (drivstofftank)	l	0,6
Volum (oljebeholder)	l	0,08
Motorvolum	cm ³	25,4
Maksimal motoreffekt	kW	0,77 ved 7 000 min ⁻¹
Motorturtall ved anbefalt maks. spindelhastighet	min ⁻¹	10 000
Tomgangshastighet	min ⁻¹	3 000
Inngrepshastighet for clutch	min ⁻¹	3 900
Forgasser		Membrantypen
Tenningsystem		Kontaktløs, magnetypen
Tennplugg	type	NGK CMR4A
Elektrodeavstand	mm	0,7 - 0,8
Drivstoff		Bilbensin
Motorolje		Olje med API-klassifisering SF eller høyere, og SAE-grad på 10W-30 (motorolje for firetaktsmotor)

Vibrasjoner

Tilbehør	Høyre håndtak (Bakre grep)		Venstre håndtak (Fremre grep)		Anvendelige standarder
	a _{nv eq} (m/s ²)	Usikkerhet K (m/s ²)	a _{nv eq} (m/s ²)	Usikkerhet K (m/s ²)	
EM400MP	6,5	1,2	5,9	1,8	ISO 22867
EM401MP	5,6	2,1	4,8	1,0	ISO 22867
ER400MP	7,1	2,8	5,5	2,7	ISO 22867
EY400MP	9,4	2,0	4,2	2,0	ISO 22867
EY400MP + LE400MP	4,8	2,0	3,4	2,0	ISO 22867
EY401MP	6,5	2,0	3,8	2,0	ISO 22867
EY401MP + LE400MP	5,6	2,0	3,4	2,0	ISO 22867
EN400MP	8,4	1,8	5,0	0,7	ISO 10517
EN400MP + LE400MP	8,0	1,7	4,3	0,7	ISO 10517
KR400MP	5	1,1	4,4	2,3	ISO 22867
EJ400MP	7,1	1,5	4,9	1,5	ISO 22867
EJ400MP + LE400MP	6,4	0,6	4,0	0,7	ISO 22867
EN401MP	8,0	1,7	5,8	1,0	ISO 10517
EN401MP + LE400MP	10,5	1,5	8,0	1,5	ISO 10517
EN410MP	7,4	2,9	4,6	0,9	ISO 10517
EN410MP + LE400MP	10,5	4,1	5,7	2,1	ISO 10517
EN420MP	8,4	1,2	5,7	3,5	ISO 10517
EE400MP	8,6	1,7	3,5	1,6	ISO 22867

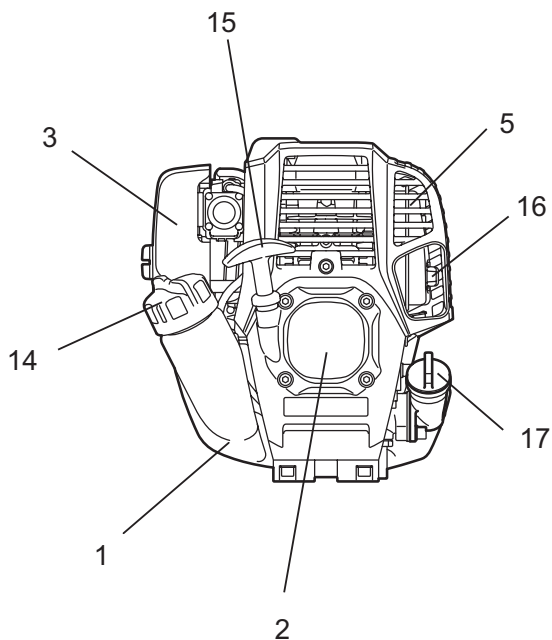
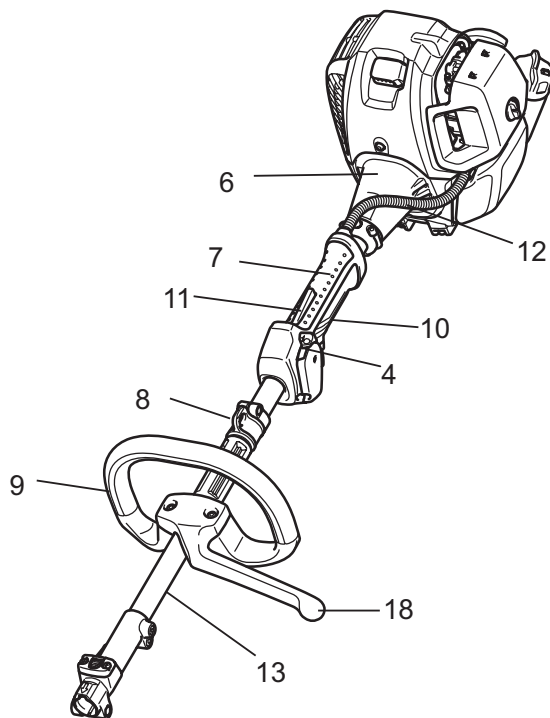
Støy

Tilbehør	Gjennomsnittlig lydtryknivå		Gjennomsnittlig lydeffektnivå		Anvendelige standarder
	L _{PA,eq} (dB (A))	Usikkerhet K (dB (A))	L _{WA,eq} (dB (A))	Usikkerhet K (dB (A))	
EM400MP	95,0	4,4	105,5	3,3	ISO 22868
EM401MP	89,9	3,6	99,7	2,7	ISO 22868
ER400MP	97,9	4,2	106,2	4,0	ISO 22868
EY400MP	93,0	2,5	104,5	2,5	ISO 22868
EY400MP + LE400MP	90,3	2,5	107,8	2,5	ISO 22868
EY401MP	92,6	2,5	104,7	2,5	ISO 22868
EY401MP + LE400MP	90,5	2,5	107,9	2,5	ISO 22868
EN400MP	93,1	4,4	102,9	4,8	ISO 10517
EN400MP + LE400MP	87,8	1,9	103,0	2,0	ISO 10517
KR400MP	93,7	2,6	99,7	1,2	ISO 22868
EJ400MP	89,0	2,3	99,8	1,1	ISO 22868
EJ400MP + LE400MP	88,1	2,2	100,8	2,3	ISO 22868
EN401MP	90,7	1,6	102,1	1,7	ISO 10517
EN401MP + LE400MP	89,2	2,9	102,0	1,6	ISO 10517
EN410MP	87,8	0,8	102,3	1,7	ISO 10517
EN410MP + LE400MP	88,7	1,1	102,9	0,9	ISO 10517
EN420MP	88,7	1,0	101,3	0,7	ISO 10517
EE400MP	89,5	2,0	99,7	2,6	ISO 22868

GODKJENT UTSTYR

UTSTYR	Modeller
Skogsrydderutstyr	EM400MP, EM401MP
Kantklipperutstyr	ER400MP
Stangsagtilbehør	EY400MP, EY401MP
Hekktrimmerutstyr	EN400MP, EN401MP, EN410MP
Busktrimmerutstyr	EN420MP
Kultivatorutstyr	KR400MP
Kaffeinnhøsterutstyr	EJ400MP
Kantutstyr	EE400MP
Skaffforlengelsesutstyr	LE400MP

EX2650LH



N	DELEBETEGNELSER
1	Drivstofftank
2	Selvpptrekkende starter
3	Luffilter
4	I-O-bryter (på/av)
5	Lyddemper
6	Clutchhus
7	Bakre grep
8	Henger
9	Håndtak
10	Gasshendel
11	AV-sperrehendel
12	Kontrollkabel
13	Riggrør
14	Tanklokk
15	Starthåndtak
16	Eksosrør
17	Oljelokk
18	Barriere*

Merk: I enkelte land følger kanskje ikke barrieren med verktøyet.

MONTERE HÅNDTAK

FORSIKTIG: Før du utfører noe arbeid på det flerfunksjonelle motorhodet, må du alltid stoppe motoren og trekke tennpluggen av tennpluggen.

Ha på beskyttelseshansker!

FORSIKTIG: Det flerfunksjonelle motorhodet må ikke startes før det er satt fullstendig sammen igjen.

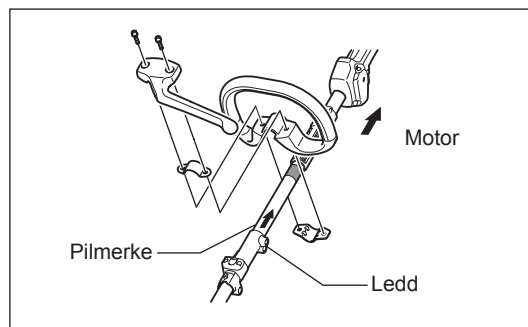


Sette sammen buet håndtak

- Fest barrieren og håndtaket godt på skaftrøret med to skruer og klemmer. På dette tidspunktet plasseres barrieren på venstre side av maskinen som illustrert.
- Kontroller at håndtak-/barrieresammenstilling plasseres mellom avstandsstykket og pilmerket. Ikke ta bort avstandsstykket eller gjør det mindre.
- Ikke fjern barrieren når den er montert på.

FORSIKTIG: Håndtaket må aldri monteres på etiketten eller på skjøten.

Merk: I enkelte land følger kanskje ikke barrieren og pilmerket med verktøyet.



MONTERE UTSTYR

FORSIKTIG: Før du utfører noe arbeid på det flerfunksjonelle motorhodet, må du alltid stoppe motoren og trekke tennpluggen av tennpluggen.

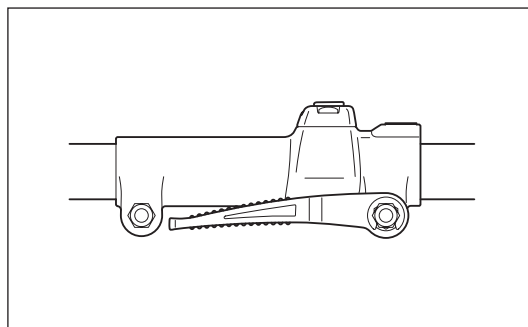
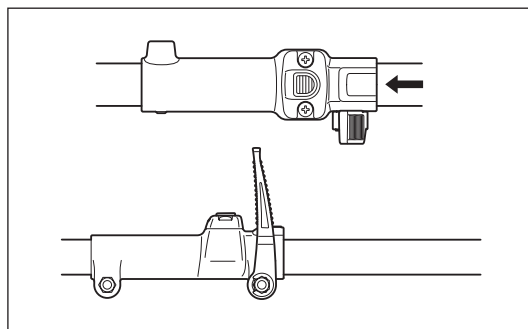
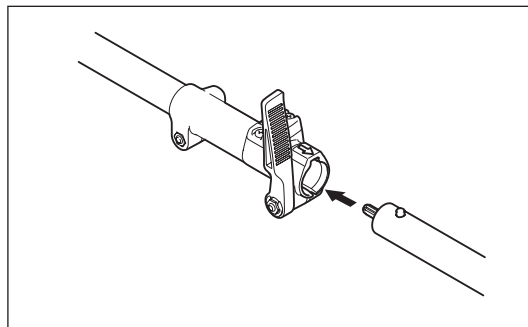
Ha på beskyttelseshansker!

FORSIKTIG: Det flerfunksjonelle motorhodet må ikke startes før det er satt fullstendig sammen igjen.



Sammensetting

- Løsne spaken.
- Tilpass tappen på utstyret til sporet i skjøten, og sett inn tappen.
- Før utstyret opp til pilposisjonen på utstyret. Kontroller at knappen har hevet seg.
- Trekk til spaken.
(Se diagrammet til høyre for veiledning.)

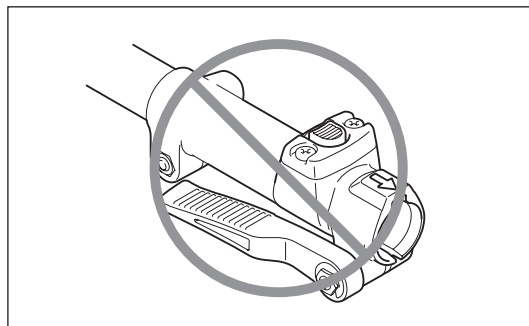
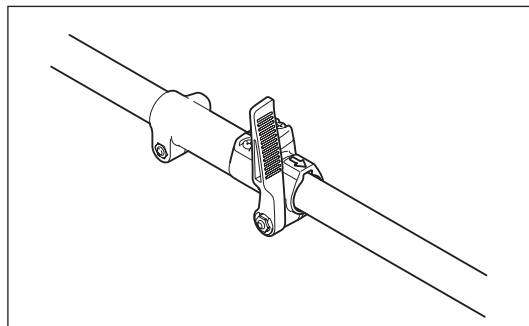


DEMONTERING

- Løsne spaken.
- Trykk på knappen og trekk ut utstyret.
(Prøv så godt det lar seg gjøre å trekke ut utstyret i en rett linje.)

Merk:

- Spaken skal ikke være tilstrammet når utstyret ikke er satt på.



FØR MASKINEN TAS I BRUK

Inspeksjon og etterfylling av motorolje

- Utfør følgende prosedyre når motoren er kald.
- Hold maskinen vannrett, fjern oljelokket (Fig. 1) og kontroller hvorvidt det er olje i området mellom det øvre og nedre grensemerket på oljerøret (Fig. 2).
- Fyll på med olje til det øvre grensemerket dersom det ikke er tilstrekkelig med olje (oljenivået er nær det nedre grensemerket) (Fig. 3).
- Området rundt de ytre merkene er gjennomsiktige, slik at oljemengden innvendig kan kontrolleres uten at oljelokket tas av. Hvis oljerøret imidlertid blir svært skittent, kan synligheten reduseres, og oljenivået vil måtte kontrolleres opp mot den trinn delte seksjonen på innsiden av oljerøret.
- Det informeres om at tiden det tar å fylle på ny olje, er ca. 10 t (hver 10. drivstoffpåfylling). Hvis oljen har skiftet farge eller er forurenset, må den skiftes ut. (Du finner mer om intervall og oljeskiftmetode på s. 56)

Anbefalt olje: SAE 10W-30-olje med API-klassifisering, klasse SF eller høyere (4-taktsmotor for biler)

Oljevolum: Ca. 0,08 l

Merk: Hvis maskinen ikke holdes oppreist, kan oljen fordele seg i maskinen, og du kan risikere å fylle på for mye olje. Hvis du fyller på olje til over maksimumsmerket, kan oljen bli forurenset eller begynne å brenne med hvit røyk.

Punkt 1 under Oljeskift: "Oljelokk"

- Fjern støv eller smuss nær oljepåfyllingsåpningen og ta av oljelokket.
- Hold den fjernede oljelokket fritt for sand og støv. Ellers kan sand og støv som fester seg til oljelokket, forårsake ujevn oljesirkulasjon eller slitasje på maskindeler, hvilket vil gi driftsproblemer.

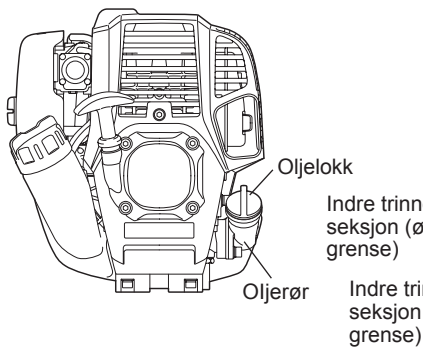


Fig. 1

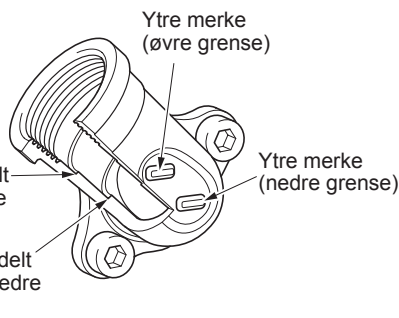


Fig. 2 Oljerør

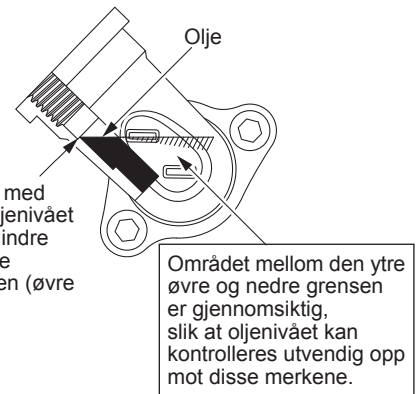
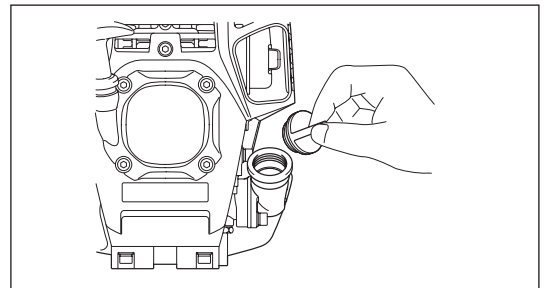
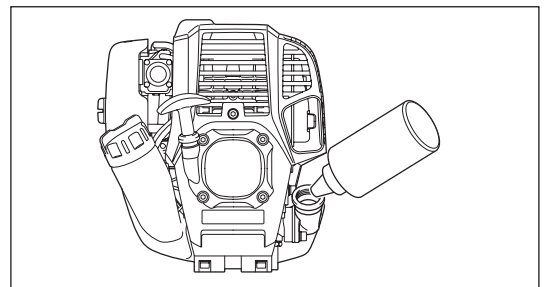


Fig. 3

(1) Hold maskinen vannrett og ta av oljelokket.



(2) Fyll opp med olje til det øvre grensemerket. (se Fig. 3)
Bruk oljeflaske ved påfylling.



(3) Trekk oljelokket godt til. Utilstrekkelig stramming kan gi oljelekkasje.

Merk

- Oljen må ikke skiftes ut mens maskinen er skråstilt.
- Påfylling av olje mens maskinen er skråstilt fører til overoppylling, som forårsaker forurensning av oljen og/eller hvit røyk.

Punkt 2 under Oljeskift: "Ved oljesøl"

- Hvis det oppstår oljesøl mellom drivstofftanken og motorens hovedenhet, vil oljen suges inn gjennom innsugningsåpningen for kjøleluft, hvilket vil føre til forurensning i motoren. Pass på å tørke opp sølt olje før du begynner å bruke maskinen.

PÅFYLLING AV DRIVSTOFF

Håndtere drivstoff

Drivstoff må behandles med største forsiktighet. Drivstoff kan inneholde løsemiddelliknende stoffer. Påfylling av drivstoff må derfor utføres i et tilstrekkelig ventilert rom, eller utendørs. Drivstoffdamp må ikke innåndes. Ha minst mulig kontakt med drivstoff. Hvis du er i kontakt med drivstoff gjentatte ganger eller over en lengre tidsperiode, vil huden tørke ut, noe som kan forårsake hudlidelser eller allergi. Hvis du får drivstoff i øyet, må du skylle det med ferskvann. Hvis øyet forblir irritert, må du oppsøke lege.

Lagringstid for drivstoff

Drivstoff bør brukes i løpet av fire uker, selv om det oppbevares i spesialbeholdere på et godt ventilert sted. Hvis drivstoffet ikke oppbevares i en dertil egnet beholder, eller ikke oppbevares under lokk, kan det bli ødelagt på én dag.

OPPBEVARING AV MASKINEN OG PÅFYLLINGSTANKEN

- Hold maskinen og tanken på et kjølig sted hvor de ikke utsettes for direkte sollys.
- Drivstoff må ikke oppbevares i førerhus eller bagasjerom.

Drivstoff

Motoren er en firetaktsmotor. Påse at du kun bruker bilbensin (vanlig bensin).

Om drivstoffet

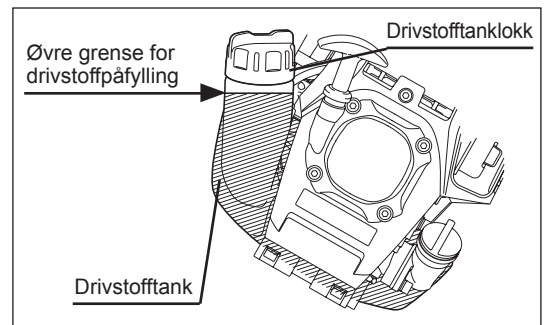
- Ikke bruk bensinblandinger som inneholder motorolje. Dette kan føre til koksdannelse eller mekaniske problemer.
- Bruk av nedbrutt olje vil føre til ujevn start.

Påfylling av drivstoff

ADVARSEL: BRENNBARE STOFFER STRENGT FORBUDT

Bensin som brukes: Bilbensin (blyfri bensin)

- Løsne tanklokket litt, så trykket inne i og utenfor tanken utliknes.
 - Ta av tanklokket og fyll drivstoff, mens du lar luften slippe ut ved å vinkle drivstofftanken slik at påfyllingsåpningen peker oppover. (Pass på at du ikke fyller på drivstoff i oljepåfyllingsåpningen.)
 - Tørk godt av området rundt tanklokket for å forhindre at det kommer fremmedlegemer inn i drivstofftanken.
 - Når du har tanket opp, må du lukke tanklokket godt.
-
- Hvis tanklokket er skadet, må du skifte det ut.
 - Tanklokket er nedbrytbart og bør derfor skiftes hvert annet eller tredje år.



KORREKT HÅNDTERING AV MASKINEN

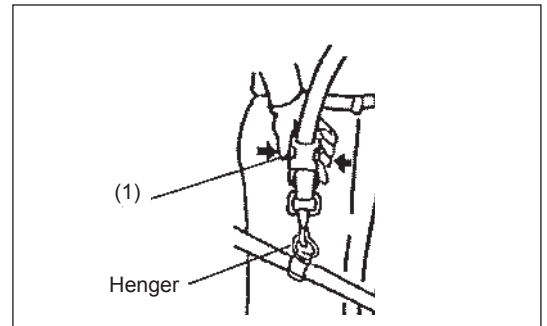
Feste for skulderrem

- Juster stroppen til passende lengde for operasjonen du foretar.

Frakobling

- I et nødstilfelle må du trykke inn tappene (1) på begge sider og løsne maskinen fra kroppen din.
Pass ekstremt godt på at du opprettholder kontrollen over maskinen i denne situasjonen. Ikke la maskinen kastes mot deg eller noen andre i nærheten av arbeidsstedet.

ADVARSEL: Hvis du ikke opprettholder fullstendig kontroll over maskinen til enhver tid, kan det medføre alvorlige helseskader eller DØD.



OM DRIFTEN OG MÅTER Å STOPPE MASKINEN PÅ

Følg relevante regler for å unngå ulykker på arbeidsplassen!

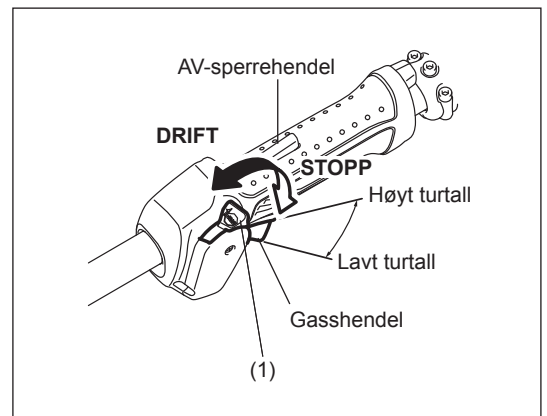


STARTE

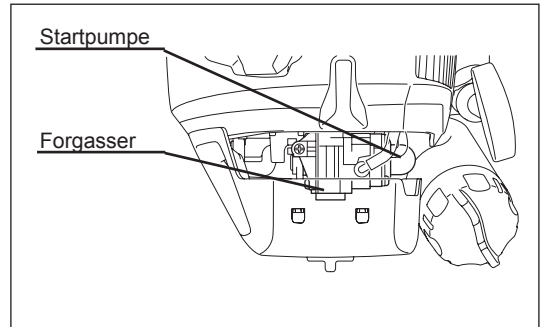
Gå minst 3 m bort fra stedet hvor du fylte bensin. Sett det flerfunksjonelle motorhodet på et rent område på bakken, og pass på at utstyret ikke kommer i kontakt med bakken eller med andre gjenstander.

A: Kaldstart

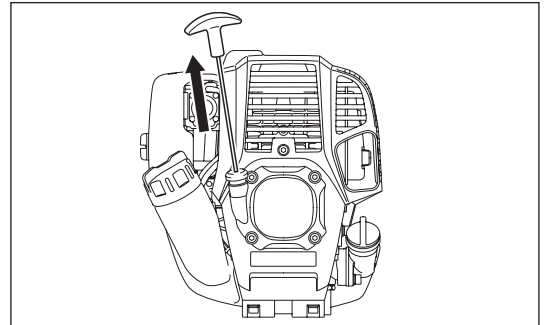
- 1) Sett maskinen på et flatt underlag.
- 2) Still inn I-O-bryteren (1) på DRIFT.



- 3) Startpumpe
Fortsett å bruke startpumpen til drivstoffet kommer inn i startpumpen.
(Drivstoffet kommer vanligvis inn i startpumpen etter at du har pumpet sju til ti ganger.)
Hvis du pumper for kraftig med startpumpen, vil overflødig bensin renne tilbake i drivstofftanken.



- 4) Returfærkassett
Trekk forsiktig i starthåndtaket til det blir tungt å trekke (kompresjonspunkt).
Før starthåndtaket tilbake til utgangspunktet, og trekk så hardt i det.
Startsnoren må aldri trekkes helt ut. Ikke slipp startsnoren idet den er trukket ut. Hold i starthåndtaket til det har returnert til utgangspunktet.
- 5) Oppvarmingskjøring
Fortsett med oppvarmingskjøring i to til tre minutter.



Merk: Hvis det er sugd inn for mye drivstoff, må du fjerne tennpluggen og trekke sakte i starthåndtaket for å fjerne overflødig drivstoff. Tørk også av elektrodelen av tennpluggen.

Forsiktig under drift:

Hvis gasshåndtaket er på fullt ved ubelastet drift, økes motorens turtall til 10 000 min⁻¹ eller mer. Motoren skal aldri brukes ved høyere turtall enn påkrevd, og ikke ved mer enn 6 000 – 8 500 min⁻¹.

B: Oppstart etter oppvarmingsprosedyren

- 1) Pump gjentatte ganger med startpumpen.
- 2) Hold gasshendelen i tomgangsstilling.
- 3) Trekk hardt i startsnoren.
- 4) Hvis det er vanskelig å starte motoren, må du øke gasspådraget til ca. 1/3.
Ta hensyn til at utstyret kanskje roterer.

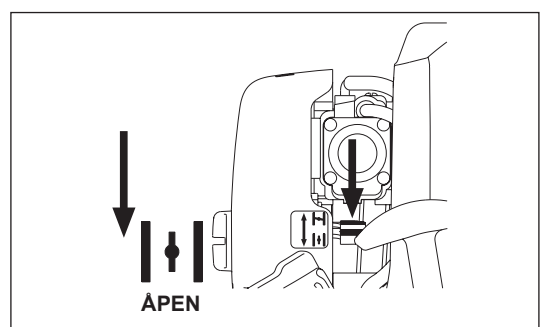
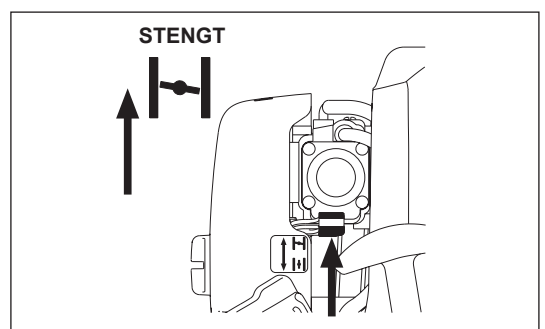
Når det er vanskelig å starte motoren, som om vinteren

Betjen chokehendelen med følgende prosedyre når du starter motoren.

- Når du har gjennomført oppstartstrinnene 1) til 3), stiller du chokehendelen i "CLOSE" (STENGT) posisjon.
- Gjennomfør oppstartstrinn 4) og start maskinen.
- Når maskinen starter, stiller du chokehendelen i "OPEN" (ÅPEN) posisjon.
- Gjennomfør oppstartstrinn 5) og fullfør oppvarmingen.

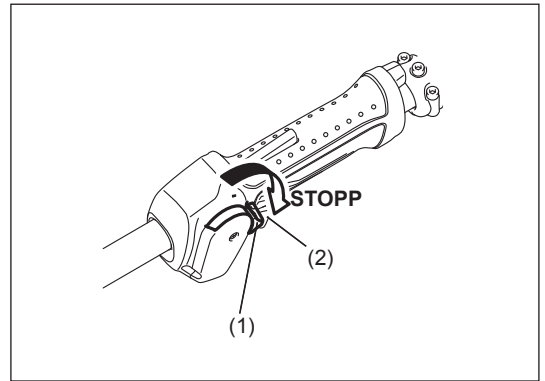
FORSIKTIG: Dersom du hører et smell (en eksplosiv lyd) og motoren stopper, eller den nylig startede motoren kveles før chokehendelen betjenes, returnerer du chokehendelen til "OPEN" (ÅPEN) posisjon, og drar noen ganger i starthåndtaket igjen for å starte motoren.

FORSIKTIG: Hvis chokehendelen blir stående i "CLOSE" (STENGT) posisjon og starthåndtaket dras gjentatte ganger, vil det tas inn for mye drivstoff, og motoren vil bli vanskelig å starte.



STOPPE

- 1) Slipp gasshendelen (2) helt. Når motorens turtall har sunket, må du stille inn I-O-bryteren på STOPP. Motoren vil nå stoppe.
- 2) Vær oppmerksom på at utstyret kanskje ikke vil stoppe omgående, så gi det tid til å stoppe helt.

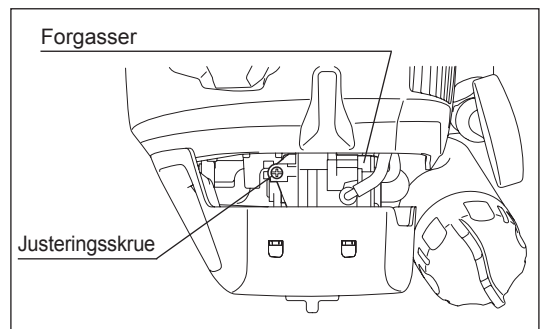


JUSTERING AV TOMGANGSTURTALLET

Når det er nødvendig å justere tomgangsturtallet, må du gjøre dette ved hjelp av justeringsskruen på forgassen.

KONTROLL AV TOMGANGSTURTALL

- Still tomgangsturtallet til 3 000 min⁻¹. Hvis det er nødvendig å endre turtallet, må du regulere justeringsskruen (vist til høyre) med en Phillips-skrutrekker.
- Drei justeringsskruen mot høyre, og motorturtallet vil øke. Drei justeringsskruen mot venstre, og motorturtallet vil reduseres.
- Forgassen er justert fra fabrikkens side før levering. Hvis det skulle være nødvendig å justere den om igjen, må du ta kontakt med en autorisert servicetekniker.



SERVICEANVISNINGER

FORSIKTIG: Før du utfører noe arbeid på det flerfunksjonelle motorhodet, må du alltid stoppe motoren og trekke tennpluggen av tennpluggen (se "Kontrollere tennpluggen").

Ha på beskyttelseshansker!

Aldri bruk gasolin, bensin, tynner, alkohol eller lignende. Det kan føre til misfarging, deformering eller sprekke dannelse.

For at utstyret skal vare lenge og ikke bli skadet, bør følgende servicetiltak utføres med jevne mellomrom.

Daglig kontroll og vedlikehold

- Før maskinen settes i gang, må du kontrollere at ingen skruer er løse og at ingen deler mangler. Vær spesielt nøye med å montere spesifisert utstyr sikkert.
- Før maskinen settes i gang, må du alltid kontrollere at ikke kjøleluftinnløpet eller sylinderribbene er tette. Rengjør dem om nødvendig.
- Utfør følgende arbeid hver dag etter bruk:
 - Rengjør det flerfunksjonelle motorhodet utvendig, og inspiser det med tanke på skader.
 - Rengjør luftfilteret. Når du arbeider under ekstremt støvete forhold, må du rengjøre filteret flere ganger om dagen.
 - Kontroller at det er tilstrekkelig forskjell på tomgang og driftsturtall til at utstyret står stille når motoren går på tomgang (om nødvendig må du redusere tomgangsturtallet).
Hvis verktøyet fortsetter å rotere når motoren går på tomgang, må du rådføre deg med nærmeste autoriserte servicetekniker.
- Kontroller at I-O-bryteren, AV-sperrehendelen og kontrollspaken fungerer som de skal.

SKIFTE MOTOROLJE

Nedbrutt motorolje reduserer levetiden til roterende og glidende deler betydelig. Sjekk oljeskiftintervallene og de aktuelle oljemengdene.



OBS: Motorblokken og motoroljen er fortsatt varme like etter at motoren er stoppet. Når oljen skiftes, må du forvise deg om at motorblokken og motoroljen er tilstrekkelig avkjølt. Ellers kan du risikere å bli skåldet.

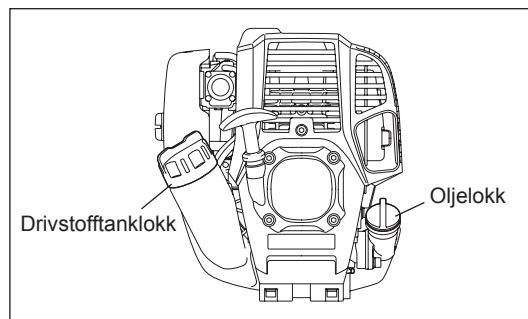
Merk: Hvis du fyller på olje til over maksimumsmerket, kan oljen bli forurenset eller begynne å brenne med hvit røyk.

Oljeskiftintervall: Til å begynne med må oljen skiftes hver 20. driftstime, og etter hvert hver 50. driftstime.

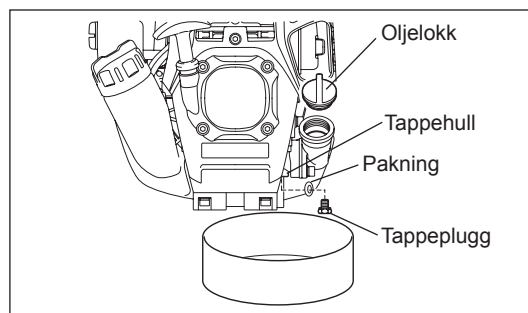
Anbefalt olje: SAE 10W-30-olje med API-klassifisering, klasse SF eller høyere (4-taktsmotor for biler)

Ved oljeskift må du følge nedenstående fremgangsmåte.

- 1) Forviss deg om at drivstofftanklokket er skrudd godt på.
- 2) Plasser en stor beholder (oljefat e.l.) under tappehullet.



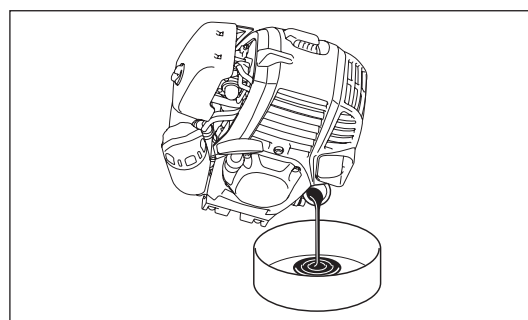
- 3) Fjern tappepluggen og fjern deretter oljelokket for å tappe olje fra tappehullet. Påse at du ikke roter bort tappepluggens pakning, eller at du skitner til de fjernede komponentene.
- 4) Når all oljen har blitt tappet, setter du sammen pakningen og tappepluggen og strammer tappepluggen godt til slik at den ikke vil løsne og forårsake lekkasje.
* Bruk en klut til å tørke godt av eventuell olje som har lagt seg på pluggen og utstyret.



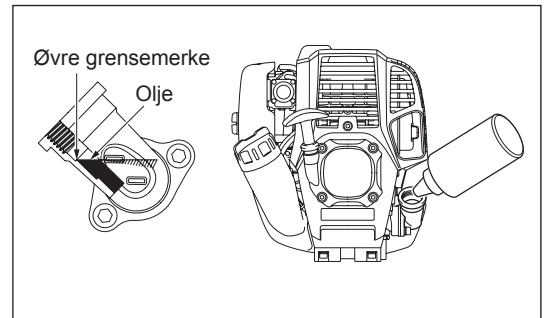
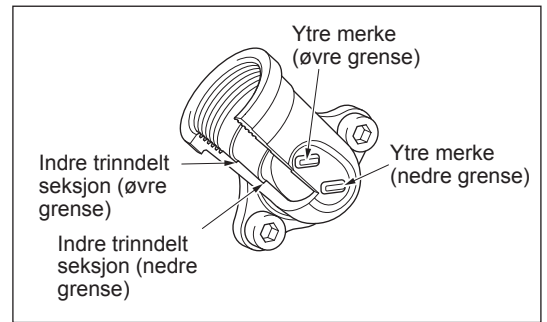
Alternativ tappingsmetode

Fjern oljelokket, vipp det flerfunksjonelle motorhodet mot oljepåfyllingshullet, og tapp ut oljen.

Samle opp oljen i beholderen.



- 5) Hold maskinen vannrett, og fyll gradvis opp med ny olje til det øvre grensemerket.
- 6) Etter påfylling trekker du oljelokket godt til slik at det ikke kan løsne og forårsake lekkasje.
Hvis oljelokket ikke er godt strammet, kan det lekke.



OM OLJE

- Brukt motorolje må aldri kastes i husholdningsavfall eller tømmes ut på bakken eller i kloakksystemet. Kassering av brukt motorolje er regulert av lover og forskrifter. Ved kassering av brukt olje må du alltid følge relevante lover og forskrifter. Skulle det fortsatt være noe som er uklart, bør du ta kontakt med en autorisert servicetekniker.
- Olje brytes ned selv om den oppbevares ubrukt. Utfør inspeksjon og oljeskift med jevne mellomrom (oljeskift hver 6. måned).

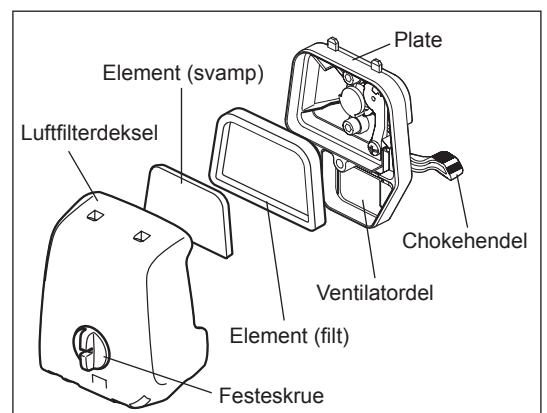
RENGJØRE LUFTFILTERET



FARE: BRENNBARE STOFFER STRENGT FORBUDT

Rengjørings- og inspeksjonsintervaller: Daglig (hver 10. driftstime)

- Steng chokehendelen helt og hold forgasseren fri for støv og smuss.
- Løsne festeskruene.
- Fjern luftfilterdekselet ved å trekke i bunnen av det.
- Fjern elementene og bank på dem for å fjerne skitt.
- Dersom elementene er svært forurensede:
Fjern elementene, legg dem i varmt vann eller i et vannfortynnet, nøytralt rengjøringsmiddel og tørk dem helt. Ikke klem eller gni på dem når du vasker.
- Elementene må være helt tørre før du monterer dem igjen. Hvis elementene ikke er tilstrekkelig tørre, kan det føre til startvanskeligheter.
- Bruk en fille til å tørke av olje som sitter rundt luftfilterdekselet og ventilasjonsdelen.
- Sett elementet (svamp) inn i elementet (filt).
Sett elementene inn i platen, slik at svampen vender mot luftfilterdekselet.
- Monter luftfilterdekselet umiddelbart og fest det med festeskruene. (Når du monterer det igjen, plasserer du først den øvre klemmen og deretter den nedre klemmen.)



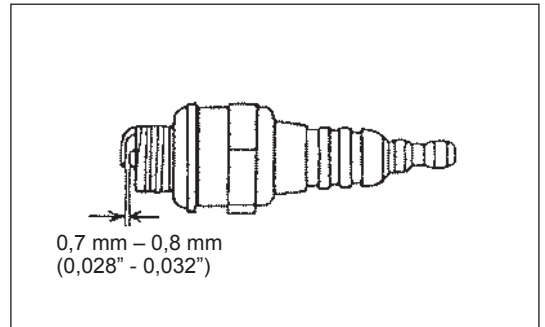
MERKNAD:

- Rengjør elementene flere ganger om dagen hvis det fester seg mye støv til dem. Skitne elementer reduserer motoreffekten og vanskeliggjør start av motoren.
- Fjern olje på elementene. Hvis operasjonen fortsetter uten at oljen er fjernet fra elementene, kan oljen i luftfilteret renne ut og kan forurense miljøet.
- Plasser ikke elementene på bakken eller et skittent sted. Ellers vil de bli skitne eller forurenset og kan skade motoren.
- Bruk aldri drivstoff til å rengjøre elementene. Drivstoff kan skade dem.

KONTROLLERE TENNPLUGGEN

- Bruk kun den medfølgende kombinøkkelen til å fjerne eller installere tennpluggen.
- Avstanden mellom de to elektrodene på tennpluggen bør være 0,7 – 0,8 mm (0,028" – 0,032"). Hvis elektrodeavstanden er for stor eller for liten, må den justeres. Hvis tennpluggen er tilstoppet eller forurenset, må du gjøre den ordentlig ren eller skifte den ut.

FORSIKTIG: Ikke berør tennpluggetten mens motoren er i gang (fare – høyspenning).



RENGJØRE DRIVSTOFFILTERET

ADVARSEL: BRENNBARE STOFFER STRENGT FORBUDT

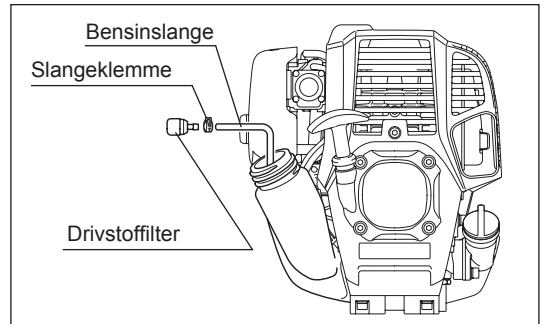
Rengjørings- og inspeksjonsintervaller: Månedlig (hver 50. driftstime)

Drivstoffilter i drivstofftanken

Kontroller drivstoffilteret regelmessig. Følg trinnene angitt nedenfor for å kontrollere drivstoffilteret.

- (1) Fjern lokket på drivstofftanken og tøm ut drivstoffet for å tømme tanken. Kontroller tanken innvendig for eventuelle fremmedlegemer. Hvis du finner noen, fjern dem.
- (2) Trekk ut sugehodet gjennom tankåpningen med en ståltrådkrok.
- (3) Hvis drivstoffilteret er lett tilstoppet, må det rengjøres. Rist og bank på det forsiktig i drivstoff for å rengjøre det. For å unngå skader må du ikke klemme eller gni på det. Drivstoffet som brukes til rengjøringen, må kastes i samsvar med metoden som er angitt i forskriftene i ditt land. Hvis drivstoffilteret blir hardt eller sterkt tilstoppet, må det skiftes ut.
- (4) Etter kontroll, rengjøring eller utskifting, skives drivstoffilteret hele veien inn til bunnen av drivstofftanken.

Tilstoppet eller skadd drivstoffilter kan medføre utilstrekkelig drivstofforsyning og redusere motoreffekten. Skift ut drivstoffilteret minst én gang i kvartalet for å sikre at forgasseren får tilstrekkelig drivstofforsyning.



SKIFTE BENSINSLANGE

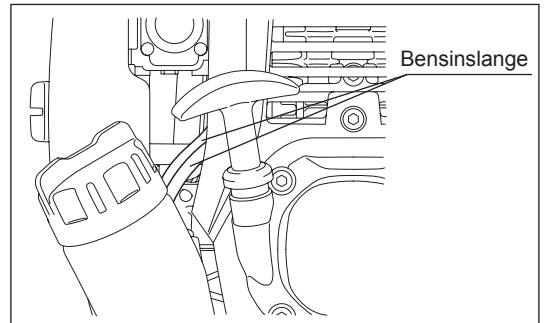
FORSIKTIG: BRENNBARE STOFFER STRENGT FORBUDT

Rengjørings- og inspeksjonsintervaller: Daglig (hver 10. driftstime)

Skifte: Månedlig (hver 200. driftstime)

Skift ut bensinslangen årlig, uansett bruksfrekvens. Drivstofflekkasje kan føre til brann.

Hvis en lekkasje oppdages under inspeksjon, må bensinslangen skiftes ut omgående.



INSPEKSJON AV SKRUER OG MUTTERE

- Etterstram løse skruer, muttere osv.
- Se etter bensin- og oljelekkasjer.
- Skift ut ødelagte deler med nye, av hensyn til driftssikkerheten.

RENGJØRE DELER

- Maskinen må alltid holdes ren.
- Hold sylinderribbene frie for støv og smuss. Støv eller smuss som fester seg på ribbene, kan forårsake stempelskjæring.

SKIFTE PAKNINGER

Når maskinen skal settes sammen igjen etter å ha blitt tatt fra hverandre, må du passe på å skifte ut pakningene.

Vedlikeholdsarbeid eller justeringer som ikke er tatt med i eller beskrevet i denne bruksanvisningen, må kun utføres av autoriserte serviceteknikere.

LAGRING

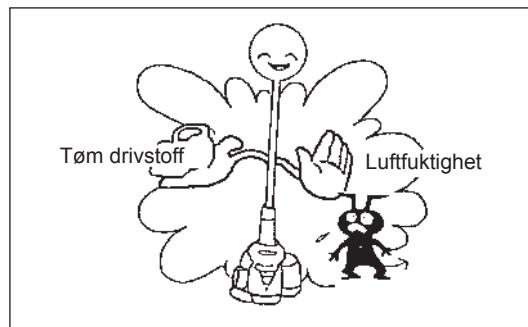


ADVARSEL: Når du skal tappe ut drivstoff, må du slå av maskinen og sjekke at den er blitt avkjølt. Like etter at du har stoppet motoren, vil den fortsatt være varm og medføre risiko for brannskader, antennelse og brann.



OBS: Når maskinen ikke skal brukes på lenge, må du tømme drivstofftanken og forgasseren fullstendig, og lagre maskinen på et tørt og rent sted.

- Fjern drivstoff fra drivstofftanken og forgasseren i henhold til følgende fremgangsmåte:
 - 1) Fjern drivstofftankklokket og tøm ut alt drivstoffet. Hvis det er igjen noen fremmedlegemer i drivstofftanken, må disse fjernes helt.
 - 2) Trekk ut drivstoffilteret av påfyllingsåpningen med en ståltråd.
 - 3) Pump med startpumpen til all alt drivstoffet er ute av pumpen, og tøm ut den alt drivstoffet som kommer inn i drivstofftanken.
 - 4) Sett tilbake filteret i drivstofftanken, og lukk drivstofftankklokket godt.
 - 5) Fortsett så å bruke maskinen til motoren stopper.
- Fjern tennpluggen og drypp flere dråper motorolje gjennom tennplugghullet.
- Trekk forsiktig i starthåndtaket slik at motoroljen blir fordelt i motoren, og sett tennpluggen på plass igjen.
- Ikke flytt spaken til låseposisjon mens du setter på utstyret. Hvis spaken står i låseposisjon før utstyret er montert, kan ikke stangen på utstyret settes på.
- Lagre alltid maskinen horisontalt. Hvis dette ikke er mulig, plasser maskinen slik at motorenheten er under skjæreverktøyet. Hvis ikke kan det lekke motorolje fra innsiden av maskinen.
- Husk alltid å lagre maskinen på en trygg plass for å forhindre skade på maskinen eller personskaade.
- Oppbevar det drenerte drivstoffet i en spesialbeholder på et mørkt sted med god ventilasjon.



Vær oppmerksom på følgende etter langvarig lagring:

- Før oppstart, når maskinen ikke har vært i bruk på lenge, må du passe på å skifte olje (se s. 56). Olje brytes ned mens maskinen holdes ute av drift.

Lokalisering av feil

Feil	System	Tilstand	Årsak
Motoren starter ikke, eller har startvanskeligheter	Tenningsystem	Tenningsgnist OK	Feil i bensintilførselen eller kompresjonssystemet, mekanisk feil
		Ingen tenningsgnist	Aktivert STOPP-bryter, ledningsfeil eller kortslutning, defekt tennplugg eller kontakt, tenningsmodulfeil
	Drivstofftilførsel	Drivstofftanken er full	Feil chokestilling, defekt forgasser, bøyd eller blokkert bensintilførselsledning, urent drivstoff
	Kompresjon	Ingen kompresjon når dreies rundt	Defekt sylinderbunnpakning, ødelagte veivakselpakninger, defekte sylindere eller stempelringer, eller utilstrekkelig tetning av tennplugg
Varmstartproblemer	Mekanisk feil	Startmotoren virker ikke	Ødelagt startfjær, ødelagte deler inne i motoren
		Tenningsgnist, full tank	Forurenset forgasser, få den rengjort
Motoren starter, men stopper igjen	Drivstofftilførsel	Full tank	Feilaktig tomgangsjustering, skitten forgasser Defekt drivstofftankventilator, brutt bensintilførselsledning, feil på kabel eller STOPP-bryter
Utilstrekkelig ytelse	Flere systemer kan være berørt samtidig	Ujevn tomgang	Forurenset luftfilter, forurenset forgasser, tett lydtemper, tett eksoskanal i sylinderen

Kontrollpunkt	Driftstid								Tilsvarende P
		Før bruk	Etter smøring	Daglig (10 t)	30 t	50 t	200 t	Slå av/hvile	
Motorolje	Inspiseres	○							52
	Skift					○*1			56
Deler som må strammes (skruer, muttere)	Inspiseres	○							58
Drivstofftank	Rengjøres/inspiseres	○							—
	Tøm drivstoff							○*3	59
Gasshendel	Kontroller funksjon		○						—
Stoppbryter	Kontroller funksjon		○						55
Rotasjon ved lavt turtall	Inspiseres/justeres			○					55
Luftfilter	Rengjør			○					57
Tennplugg	Inspiseres			○					58
Kanal for kjøleluft	Rengjøres/inspiseres			○					58
Bensinslange	Inspiseres			○					58
	Skift						◎*2		—
Drivstoffilter	Rengjøres/skiftes					○			58
Avstand mellom luftinntaksventil og luftutblåsningsventil	Juster						◎*2		—
Motoroverhaling							◎*2		—
Forgasser	Tøm drivstoff							○*3	59

*1 Utfør første skift etter 20 driftstimer.

*2 Når det gjelder inspeksjon etter 200 driftstimer, må du ta kontakt med en autorisert servicetekniker eller et maskinverksted.

*3 Etter at du har tømt drivstofftanken, må du fortsette å kjøre motoren og fjerne drivstoffet fra forgasseren.

Kontroller bruksanvisningen for hvert utstyr, og utfør vedlikehold på dem når de brukes.

FEILSØKING

Før du bestiller reparasjon, må du foreta et feilsøk selv. Hvis du finner noe unormalt, må du kontrollere maskinen i henhold til beskrivelsen i denne bruksanvisningen. Ikke modifier eller demonter noen del i strid med denne beskrivelsen. Når det gjelder reparasjoner, må du ta kontakt med en autorisert servicetekniker eller en forhandler.

Feiltilstand	Mulig årsak (feil)	Avhjelpende tiltak
Motoren starter ikke	Du har ikke brukt startpumpen	Pump sju til ti ganger
	Du trakk ikke raskt nok i startsnoren	Trekk kraftig
	For lite drivstoff	Fyll på drivstoff
	Tett drivstoffilter	Rengjør
	Bøyd drivstoffrør	Rett ut drivstoffrøret
	Dårlig drivstoffkvalitet	Hvis drivstoffet er nedbrutt, er det vanskelig å starte. Skift ut. (Anbefalt intervall: 1 måned)
	For mye drivstoff er sugd inn	Juster gasshendelen fra middels turtall til høyt turtall, og trekk i starthåndtaket til motoren starter. Når motoren starter, begynner utstyret å rotere eller bevege seg. Observer utstyret nøye. Hvis motoren fortsatt ikke vil starte, må du fjerne tennpluggen, la elektroden tørke, og montere den som den var i utgangspunktet. Start deretter som beskrevet.
	Demontert tennpluggchette	Fest godt
	Forurenset tennplugg	Rengjør
	Unormal tennpluggavstand	Juster avstanden
	Noe annet galt med tennpluggen	Skift
	Feil ved forgasseren	Bestill tid for inspeksjon og vedlikehold
	Det går ikke an å trekke i startsnoren	Bestill tid for inspeksjon og vedlikehold
	Feil i motorsystemet	Bestill tid for inspeksjon og vedlikehold
Motoren stopper nesten med en gang Motorturtallet øker ikke	Utilstrekkelig oppvarming	Foreta oppvarmingskjøring
	Chokehendelen er stilt inn på "CLOSE" (STENGT), selv om motoren er varm.	Still inn på "OPEN" (ÅPEN)
	Tett drivstoffilter	Rengjør eller skift ut
	Forurenset eller tett luftfilter	Rengjør
	Feil ved forgasseren	Bestill tid for inspeksjon og vedlikehold
	Feil i motorsystemet	Bestill tid for inspeksjon og vedlikehold
Utstyret roterer ikke / beveger seg ikke ↓ Stopp motoren omgående	Utstyret er ikke satt inn til angitt punkt.	Sett inn som anvist.
Hovedenheten vibrerer unormalt ↓ Stopp motoren omgående	Feil i motorsystemet	Bestill tid for inspeksjon og vedlikehold
	Utstyret er ikke satt inn til angitt punkt.	Sett inn som anvist.
	Løstnet spak	Stram godt.
Utstyret stopper ikke umiddelbart ↓ Stopp motoren omgående	Feil i motorsystemet	Bestill tid for inspeksjon og vedlikehold
	Høy rotasjon på tomgang	Juster
	Demontert gasswire	Fest godt
Motoren stopper ikke ↓ Kjør motoren på tomgang, og sett chokehendelen på "CLOSE" (STENGT).	Feil i motorsystemet	Bestill tid for inspeksjon og vedlikehold
	Frakoblet kontakt	Fest godt
	Feil i det elektriske anlegget	Bestill tid for inspeksjon og vedlikehold

Når motoren ikke starter etter oppvarmingsprosedyren:

Hvis ingen feil er funnet blant kontrollpunktene, må du øke gasspådraget til ca. 1/3 og starte motoren.

Kiitos, että päätit hankkia MAKITAn monitoimimoottoriyksikön. Suosittelemme lämpimästi MAKITAn monitoimimoottoriyksikköä, joka on pitkän kehitystyön ja vuosien aikana kerättyjen tietojen ja kokemusten tulos. Lue tämä käyttöohje huolellisesti ja noudata siinä annettuja ohjeita. Käyttöohjeessa käydään yksityiskohtaisesti läpi laitteen tehokkaat ominaisuudet. Näihin tietoihin perehtymällä saat suurimman hyödyn hankkimastasi MAKITAn monitoimimoottoriyksiköstä.



Sisällysluettelo	Sivu
Symbolit.....	62
Turvallisuusohjeet.....	63
Tekniset tiedot.....	66
Hyväksytyt työkalut.....	67
Osien sijainti	68
Kahvan kiinnittäminen	69
Työkalun kiinnittäminen	69
Purkaminen	70
Ennen käyttöä.....	71
Laitteen oikea käsittely	73
Käytön vaiheet ja pysäyttäminen.....	73
Huolto-ohjeet	76
Säilytys	79

SYMBOLIT

Käyttöohjeessa on käytetty seuraavia symboleja.

	Lue tämä käyttöohje ja noudata annettuja varoituksia ja varotoimia!		Käytä suojakypärää sekä silmä- ja kuulosuojaimia!
	Noudata erityistä varovaisuutta!		Polttoaine (benssiini)
	Kielletty!		Moottorin käsikäynnistys
	Tupakointi kielletty!		Hätäpysäytys
	Avotulen teko kielletty!		Ensiapu
	Käytä suojakäsineitä!		PÄÄLLE/KÄYNNISTYS
	Käytä tukevia saappaita, joissa on luistamaton pohja. Teräskärkisten turvasaappaiden käyttöä suositellaan!		POIS PÄÄLTÄ/SEIS
	Älä päästä työskentelyalueelle ihmisiä tai eläimiä!		

Laitteen käyttötarkoitus

Tämä monitoimimoottoriyksikkö on tarkoitettu voimanlähteeksi tässä ohjekirjassa mainittuihin työkaluihin. Älä koskaan käytä laitetta mihinkään muuhun tarkoitukseen.

TURVALLISUUSOHJEET

Yleisiä ohjeita

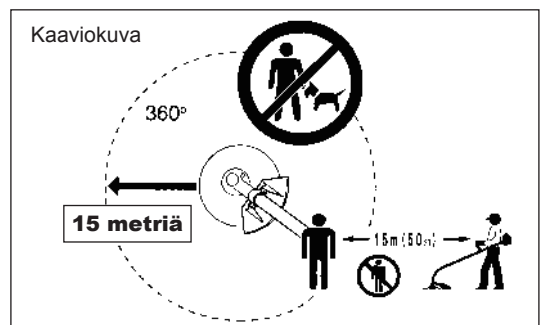
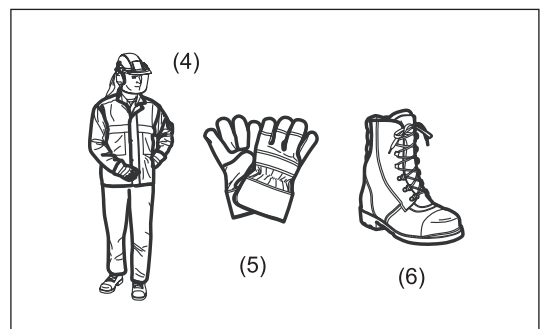
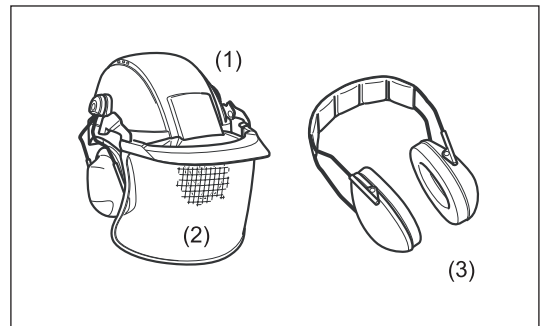
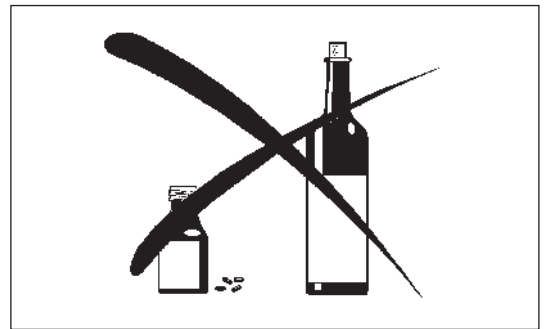
- Oikean käytön varmistamiseksi käyttäjän tulee lukea huolellisesti tässä oppaassa annetut ohjeet, jotka koskevat monitoimimoottoriyksikön käsittelyä. Käyttäjä, joka ei ole tutustunut ohjeisiin kunnolla, vaarantaa sekä itsensä että muut käsittelemällä laitetta väärin.
- Monitoimimoottoriyksikön saa luovuttaa ainoastaan sellaisten henkilöiden käyttöön, joiden tiedetään osaavan käsitellä monitoimimoottoriyksikköä. Anna laitteen lainaajalle aina myös käyttöohje mukaan.
- Ensikertalaisten kannattaa pyytää laitteen myyjältä perehdytystä moottorikäyttöisen leikkurin käyttöön.
- Lapset ja alle 18-vuotiaat henkilöt eivät saa käyttää monitoimimoottoriyksikköä. 16 vuotta täyttäneet henkilöt voivat kuitenkin harjoitella laitteen käyttöä pätevän kouluttajan valvonnassa.
- Käytä monitoimimoottoriyksikköä varoen.
- Käytä monitoimimoottoriyksikköä vain, jos olet hyvässä fyysisessä kunnossa. Työskentele rauhallisesti ja varovaisesti. Käyttäjän on otettava vastuu muista ihmisistä.
- Älä koskaan käytä monitoimimoottoriyksikköä käytettyäsi alkoholia tai huumeita tai ollessasi väsynyt tai sairas.
- Eri maiden määräykset saattavat sisältää laitteen käyttöä koskevia rajoituksia.

Henkilösuojaimet

- Käytettävän vaatetuksen tulee olla asianmukaista ja käytännöllistä. Vaatteiden tulee olla tykoistuvia, mutta ne eivät kuitenkaan saa haitata liikkumista. Älä pidä yllä koruja tai vaatteita, jotka voivat tarttua pensaisiin tai oksiin.
- Pää-, silmä-, käsi-, jalka- ja kuulovammojen ehkäisemiseksi on käytettävä seuraavia suojavälineitä ja -vaatetusta monitoimimoottoriyksikköä käytettäessä
- Käytä aina kypärää, jos työskentelyalueelle voi pudota esineitä. Suojakypärä (1) on tarkastettava säännöllisin väliajoin vioittumisen varalta ja vaihdettava viimeistään viiden vuoden kuluttua. Käytä ainoastaan hyväksytyä suojakypärää.
- Kypärän kasvosuojuksen (2) (tai vaihtoehtoisesti suojalasien) tehtävänä on suojata kasvoja lentäviltä irtoroskilta ja kiviltä. Monitoimimoottoriyksikön käytön aikana on aina suojattava silmät kasvosuojuksella tai suojalaseilla.
- Käytä kuuluvaurioiden välttämiseksi aina asianmukaisia melusuojaimia (kuulonsuojaimia (3) tai korvatulppia).
- Työhaalarit (4) suojaavat lentäviltä kiviltä ja irtoroskilta. Työhaalarien käyttäminen on erittäin suositeltavaa.
- Paksusta nahasta valmistetut erikoiskäsineet (5) kuuluvat pakollisiin suojavarusteisiin, joita on aina käytettävä monitoimimoottoriyksikköä käytettäessä.
- Käytä monitoimimoottoriyksikköä käyttäessäsi aina tukevia kenkiä (6), joissa on luistamaton pohja. Näin varmistat tukevan jalansijan ja vältät loukkaantumisen.

Monitoimimoottoriyksikön käynnistäminen

- Varmista, ettei lähistöllä ole lapsia tai muita ihmisiä. Varmista myös, ettei työskentelyalueen läheisyydessä ole eläimiä.
- Varmista, että työkalu on asennettu paikalleen ja kaasuvipu liikkuu vapaasti. Tarkista, että lukitusvipu toimii oikein.
- Työkalu ei saa pyöriä moottorin ollessa joutokäynnillä. Pyydä tarvittaessa jälleenmyyjää tarkistamaan säätö. Varmista, että kädensijat ovat puhtaat ja kuivat, ja tarkasta käynnistys/pysäytyskytkimen toiminta.

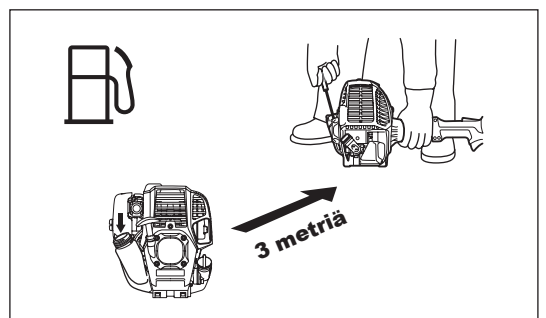
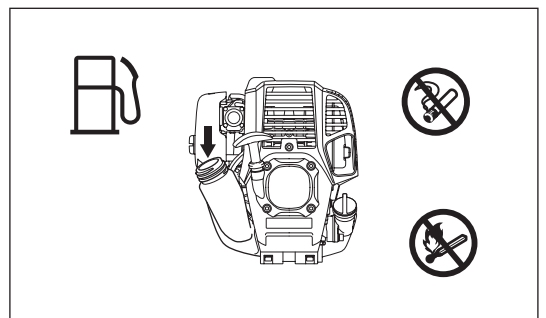
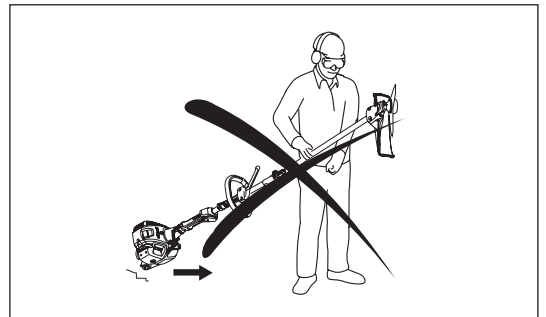
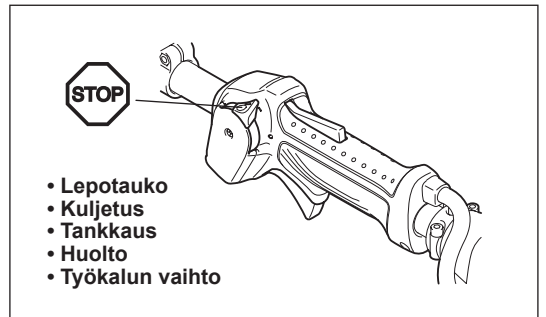
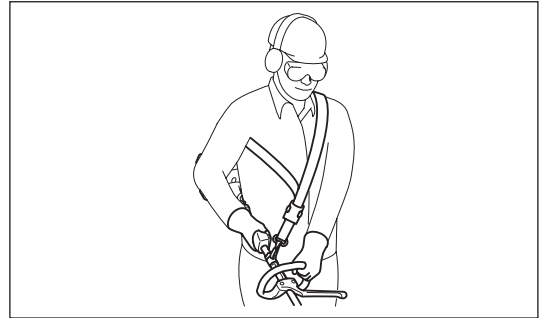
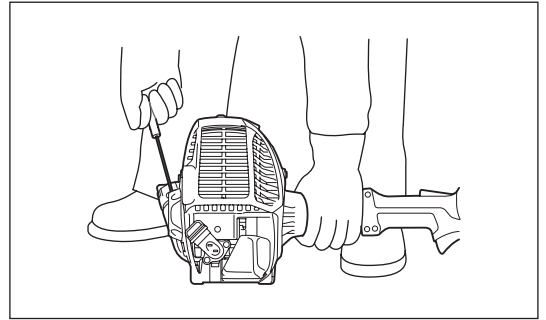


Käynnistä monitoimimoottoriyksikkö vain tässä ohjeessa kuvatulla tavalla.

- Älä koskaan käynnistä moottoria millään muulla tavalla!
- Käytä monitoimimoottoriyksikköä ja työkaluja vain niiden ilmoitettuun käyttötarkoitukseen.
- Käynnistä monitoimimoottoriyksikkö vasta sitten, kun kokoonpano on täysin suoritettu. Laitetta saa käyttää vasta, kun kaikki siihen kuuluvat osat on kiinnitetty paikalleen.
- Varmista ennen käynnistystä, että työkalu ei kosketa kovia esineitä, kuten oksia tai kiviä, sillä työkalu pyörii käynnistettäessä.
- Moottori on sammutettava välittömästi, jos siihen tulee jokin häiriö.
- Jos työkalu osuu kiviin tai muihin koviin esineisiin, sammuta moottori välittömästi ja tarkasta työkalu.
- Käytä monitoimimoottoriyksikköä vain olkahihna paikalleen kiinnitettynä. Hihna pitää säätää sopivaksi ennen monitoimimoottoriyksikön käyttöönottoa. Olkahihna on tärkeää säätää käyttäjän kokoon sopivaksi niin, ettei käyttäjä väsy käytön aikana. Älä koskaan kannattele leikkuria yhdellä kädellä käytön aikana.
- Pidä monitoimimoottoriyksiköstä aina molemmin käsin kiinni käytön aikana. Varmista tukeva jalansija.
- Käytä monitoimimoottoriyksikköä siten, että et joudu hengittämään pakokaasuja. Älä koskaan käytä moottoria suljetussa tilassa (kaasumyrkytysvaara). Häkä on hajuton kaasu.
- Sammuta moottori lepotaukojen ajaksi sekä silloin, kun jätät monitoimimoottoriyksikön ilman valvontaa. Säilytä laitetta turvallisessa paikassa niin, että muut eivät joudu vaaraan eikä laite vioitu.
- Älä koskaan laske kuumaa monitoimimoottoriyksikköä kuivalle ruohikolle tai minkään syttyvän materiaalin päälle.
- Kaikkia laitteen mukana toimitettuja turvalaitteita ja suojuksia tulee käyttää käytön aikana.
- Älä koskaan käytä moottoria, jos pakoputken äänenvaimennin on rikki.
- Sammuta moottori kuljetuksen ajaksi.
- Pitkien kuljetusten aikana on aina käytettävä laitteeseen kuuluvia suojavarusteita.
- Varmista, että monitoimimoottoriyksikkö on autokuljetuksen aikana asennossa, jossa siitä ei pääse vuotamaan polttoainetta.
- Varmista monitoimimoottoriyksikköä kuljetettaessa, että polttoainesäiliö on täysin tyhjä.
- Kun monitoimimoottoriyksikkö puretaan kuormasta, varo pudottamasta moottoria maahan, sillä se voi vaurioittaa pahoin polttoainesäiliötä.
- Älä koskaan pudota tai heitä monitoimimoottoriyksikköä maahan muutoin kuin hätätilanteessa, sillä se voi aiheuttaa monitoimimoottoriyksikölle vakavia vaurioita.
- Muista nostaa laite irti maasta sitä siirtäessäsi. Polttoainesäiliön raahaaminen pitkin maata on vaarallista ja voi aiheuttaa polttoainevuodon, josta voi seurata tulipalo.
- Jos laitteeseen kohdistuu voimakas isku tai se putoaa, tarkista sen kunto ennen työn jatkamista. Tarkista, ettei polttoainejärjestelmä vuoda ja ettei hallintalaitteissa tai turvallisuuksivarusteissa ole vikoja. Jos on syytä epäillä laitteen vaurioituneen, pyydä valtuutettua huoltoliikettämme tarkistamaan ja tarvittaessa huoltamaan laite.

Tankkaus

- Sammuta moottori tankkaamisen ajaksi, pysy kaukana avotulesta äläkä tupakoi.
- Vältä ihokosketusta mineraaliöljytuotteisiin. Älä hengitä bensiinihöyryjä. Käytä tankkaamisen aikana suojakäsineitä. Vaihda ja puhdista suojavaatteet säännöllisin väliajoin.
- Vältä polttoaineen ja öljyn läikyttämistä, jotta maaperä ei saastu (luonnonsuojelu). Puhdista monitoimimoottoriyksikkö heti, jos polttoainetta on päässyt läikkymään.
- Varo läikyttämästä polttoainetta vaatteillesi. Vaihda vaatteet välittömästi, jos niille on läikkynyt polttoainetta (tulipalovaara).
- Tarkista aika ajoin, että polttoainesäiliön korkin saa kunnolla kiinni ja ettei se vuoda.
- Kierrä polttoainesäiliön korkki tiukasti kiinni. Siirry toiseen paikkaan käynnistämään moottori (vähintään 3 metrin päähän tankkauspisteestä).
- Älä koskaan tankkaa suljetussa tilassa. Bensiinihöyryt tiivistyvät maanpinnan tasolle (räjähdysvaara).
- Kuljeta ja säilytä polttoainetta ainoastaan niille tarkoitetuissa astioissa. Huolehdi, että lapset eivät pääse käsiksi polttoaineeseen.

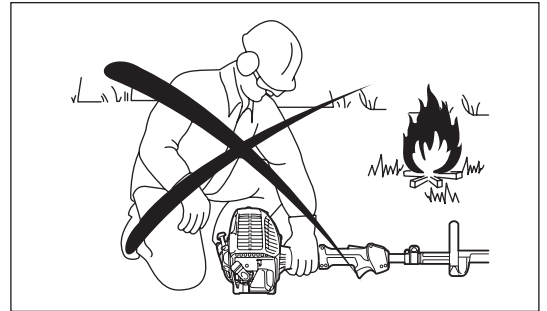


Käyttötavat

- Käytä monitoimimoottoriyksikköä vain hyvissä valaistus- ja näkyvyysoloissa. Varo talviaikaan liukkaita tai märkiä alueita, jäätä ja lunta (liukastumisvaara). Varmista aina tukeva jalansija.
- Älä koskaan seiso tikkailla monitoimimoottoriyksikköä käyttäessäsi.
- Älä koskaan kiipeä puuhun monitoimimoottoriyksiköllä leikatessasi.
- Älä työskentele epävakailla alustoilla.
- Työkalun pitää saavuttaa täysi pyörimisnopeus ennen se käytön aloittamista.
- Pidä lepotaukoja, jotta et väsymyksen takia menetä laitteen hallintaa. On suositeltavaa pitää tunnin välein 10–20 minuutin tauko.

Huolto-ohjeet

- Huollata laitteesi vain valtuutetussa huoltoliikkeessämme ja käytä vain alkuperäisiä varaosia. Virheelliset korjaukset ja huono kunnossapito voivat lyhentää laitteen käyttöikää ja suurentaa tapaturmien vaaraa.
- Käytä monitoimimoottoriyksikköä siten, että siitä lähtee mahdollisimman vähän melua ja saasteita. Tarkista erityisesti, että kaasutin on oikein säädetty.
- Puhdista monitoimimoottoriyksikkö säännöllisin väliajoin ja tarkista, että kaikki ruuvit ja mutterit ovat tiukasti kiinni.
- Älä koskaan huolla tai säilytä monitoimimoottoriyksikköä avotulen lähellä.
- Säilytä monitoimimoottoriyksikköä lukitussa tilassa polttoainesäiliö tyhjennettynä.



Noudata kaikkia asiaankuuluvien järjestöjen ja vakuutusyhtiöiden onnettomuuksien välttämiseksi antamia ohjeita. Älä tee monitoimimoottoriyksikköön mitään muutoksia, sillä se voi vaarantaa turvallisuutesi.

Käyttäjälle varatut huolto- ja korjaustyöt rajoittuvat tässä oppaassa kuvattuihin toimiin. Kaikki muut työt tulee jättää valtuutetun huoltoliikkeen tehtäväksi. Käytä ainoastaan aitoja MAKITA-varaosia ja -tarvikkeita. Muiden osien ja tarvikkeiden käyttö lisää onnettomuuksien riskiä. MAKITA ei vastaa tapaturmista tai vammoista, jotka johtuvat muiden kuin hyväksytyjen työkalujen, kiinnitysvälineiden ja lisävarusteiden käytöstä.

Ensiapu

Pidä leikkuualueen lähetyvillä ensiapulaukku valmiina onnettomuuksien varalta. Täydennä ensiapulaukku sisältöä aina käytön mukaan.

Kun hälytät apua, ilmoita seuraavat tiedot:

- onnettomuuspaikka
- mitä on tapahtunut
- loukkaantuneiden henkilöiden lukumäärä
- vammojen laatu
- oma nimesi



Tärinä

- Voimakas tärinä voi aiheuttaa heikosta verenkierrosta kärsiville henkilöille verisuoni- tai hermostovammoja. Tärinä voi aiheuttaa seuraavia oireita sormissa, käsissä tai ranteissa: tunnottomuutta, pistelevää kipua, pistoksia, ihonvärin tai ihon muutoksia. Jos tällaisia oireita ilmenee, hakeudu lääkäriin hoitoon!
- Voit pienentää valkosormisuussyndrooman riskiä pitämällä kätesi lämpiminä käytön aikana ja huolehtimalla siitä, että laite ja sen lisävarusteet ovat kunnossa.

EY-VAATIMUSTENMUKAISUUSVAKUUTUS

Koskee vain Euroopan maita

EY-vaatimustenmukaisuusvakuutus löytyy tämän käyttöohjeen liitteestä A.

TEKNISET TIEDOT EX2650LH

Malli	EX2650LH	
Kahvan tyyppi	Silmukkahva	
Mitat: pituus x leveys x korkeus (ilman leikkuuterää) esteen kanssa	mm	975 x 323 x 241
Mitat: pituus x leveys x korkeus (ilman leikkuuterää) ilman estettä	mm	975 x 242 x 241
Paino (ilman muovisuojusta ja leikkuuterää)	kg	4,6
Tilavuus (polttoainesäiliö)	l	0,6
Tilavuus (öljysäiliö)	l	0,08
Moottorin tilavuus	cm ³	25,4
Moottorin enimmäisteho	kW	0,77 / 7 000 min ⁻¹
Moottorin kierrosluku suositellulla akselin enimmäispyörimisnopeudella	min ⁻¹	10 000
Joutokäyntinopeus	min ⁻¹	3 000
Kytkimen kytketymiskierrosluku	min ⁻¹	3 900
Kaasutin	Kalvokaasutin	
Sytytysjärjestelmä	Kärjetön, magneettityyppinen	
Sytytystulppa	tyyppi	NGK CMR4A
Elektrodien kärkiväli	mm	0,7 - 0,8
Polttoaine	Autobensiini	
Moottoriöljy	API-luokitukseltaan vähintään SF-tasoinen SAE 10W-30 –öljy (autoihin tarkoitettu nelitahtimoottoriöljy)	

Tärinä

Työkalu	Oikea kahva (takakahva)		Vasen kahva (etukahva)		Sovellettavat standardit
	$a_{hv\ eq}$ (m/s ²)	Virhemarginaali K (m/s ²)	$a_{hv\ eq}$ (m/s ²)	Virhemarginaali K (m/s ²)	
EM400MP	6,5	1,2	5,9	1,8	ISO 22867
EM401MP	5,6	2,1	4,8	1,0	ISO 22867
ER400MP	7,1	2,8	5,5	2,7	ISO 22867
EY400MP	9,4	2,0	4,2	2,0	ISO 22867
EY400MP + LE400MP	4,8	2,0	3,4	2,0	ISO 22867
EY401MP	6,5	2,0	3,8	2,0	ISO 22867
EY401MP + LE400MP	5,6	2,0	3,4	2,0	ISO 22867
EN400MP	8,4	1,8	5,0	0,7	ISO 10517
EN400MP + LE400MP	8,0	1,7	4,3	0,7	ISO 10517
KR400MP	5	1,1	4,4	2,3	ISO 22867
EJ400MP	7,1	1,5	4,9	1,5	ISO 22867
EJ400MP + LE400MP	6,4	0,6	4,0	0,7	ISO 22867
EN401MP	8,0	1,7	5,8	1,0	ISO 10517
EN401MP + LE400MP	10,5	1,5	8,0	1,5	ISO 10517
EN410MP	7,4	2,9	4,6	0,9	ISO 10517
EN410MP + LE400MP	10,5	4,1	5,7	2,1	ISO 10517
EN420MP	8,4	1,2	5,7	3,5	ISO 10517
EE400MP	8,6	1,7	3,5	1,6	ISO 22867

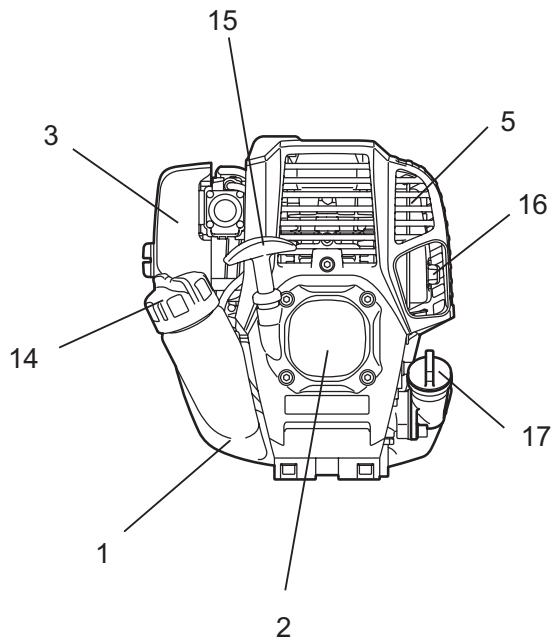
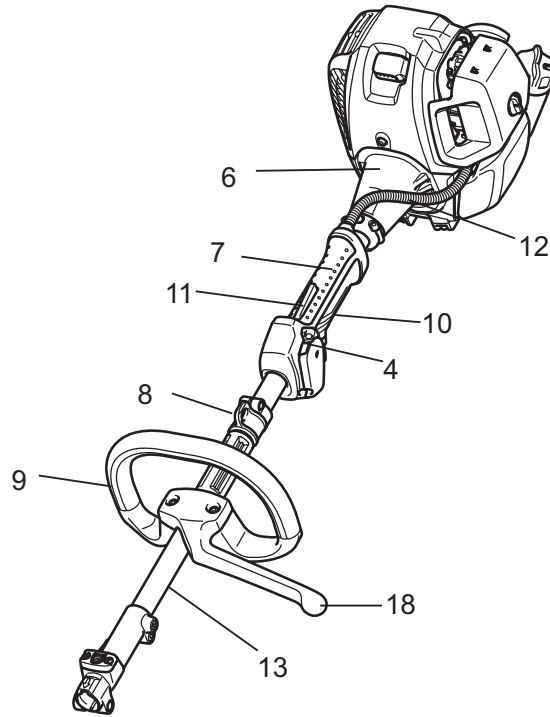
Työkalu	Keskimääräinen äänenpainetaso		Keskimääräinen äänitehotaso		Sovellettavat standardit
	L _{PA eq} (dB (A))	Virhemarginaali K (dB (A))	L _{WA eq} (dB (A))	Virhemarginaali K (dB (A))	
EM400MP	95,0	4,4	105,5	3,3	ISO 22868
EM401MP	89,9	3,6	99,7	2,7	ISO 22868
ER400MP	97,9	4,2	106,2	4,0	ISO 22868
EY400MP	93,0	2,5	104,5	2,5	ISO 22868
EY400MP + LE400MP	90,3	2,5	107,8	2,5	ISO 22868
EY401MP	92,6	2,5	104,7	2,5	ISO 22868
EY401MP + LE400MP	90,5	2,5	107,9	2,5	ISO 22868
EN400MP	93,1	4,4	102,9	4,8	ISO 10517
EN400MP + LE400MP	87,8	1,9	103,0	2,0	ISO 10517
KR400MP	93,7	2,6	99,7	1,2	ISO 22868
EJ400MP	89,0	2,3	99,8	1,1	ISO 22868
EJ400MP + LE400MP	88,1	2,2	100,8	2,3	ISO 22868
EN401MP	90,7	1,6	102,1	1,7	ISO 10517
EN401MP + LE400MP	89,2	2,9	102,0	1,6	ISO 10517
EN410MP	87,8	0,8	102,3	1,7	ISO 10517
EN410MP + LE400MP	88,7	1,1	102,9	0,9	ISO 10517
EN420MP	88,7	1,0	101,3	0,7	ISO 10517
EE400MP	89,5	2,0	99,7	2,6	ISO 22868

HYVÄKSYTYT TYÖKALUT

TYÖKALUT	Mallit
Raivaussaha	EM400MP, EM401MP
Viimeistelyleikkuri	ER400MP
Oksasaha	EY400MP, EY401MP
Pensasleikkuri	EN400MP, EN401MP, EN410MP
Viimeistelypensasleikkuri-lisälaite	EN420MP
Jyrsin	KR400MP
Kahvinpoimintatyökalu	EJ400MP
Reunaleikkuri	EE400MP
Jatkovarsi	LE400MP

OSIEN SIJAINTI

EX2650LH



FIN	OSIEN SIJAINTI
1	Polttoainesäiliö
2	Käynnistysnaru
3	Ilmanpuhdistin
4	I-O-kytkin (päällä/pois päältä)
5	Pakoputken äänenvaimennin
6	Kytkimen kotelo
7	Takakahva
8	Ripustin
9	Kahva
10	Kaasuvipu
11	Lukituksen vapautusvipu
12	Ohjausvaijeri
13	Akseli
14	Polttoainesäiliön korkki
15	Käynnistinkahva
16	Pakoputki
17	Öljysäiliön korkki
18	Este*

Huomautus: Estettä ei toimiteta laitteen mukana kaikissa maissa.

KAHVAN KIINNITTÄMINEN

HUOMIO: Moottori on sammutettava ja sytytystulpan johto irrotettava tulpasta aina ennen monitoimimoottoriyksikölle tehtäviä huoltotoimia.

Käytä aina suojakäsineitä.

HUOMIO: Käynnistä monitoimimoottoriyksikkö vasta sitten, kun se on täysin koottu ja tarkastettu.

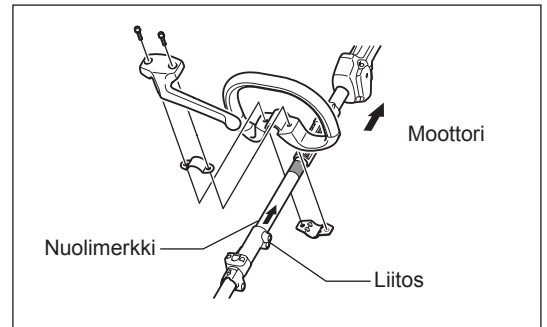


Silmukkakahvan kiinnittäminen

- Asenna este ja kahva varteen tukevasti neljällä ruuvilla. Sijoita este silloin työkalun vasemmalle puolelle kuvassa esitetyllä tavalla.
- Varmista, että kahva-esteyhdistelmä asennetaan välikappaleen ja nuolimerkin väliin. Älä irrota tai pienennä välikappaletta.
- Älä irrota estettä kokoamisen jälkeen.

HUOMIO: Älä koskaan asenna kahvaa liitoksen tai tarran kohdalle.

Huomautus: Estettä ja nuolimerkkiä ei toimiteta laitteen mukana kaikissa maissa.



TYÖKALUN KIINNITTÄMINEN

HUOMIO: Moottori on sammutettava ja sytytystulpan johto irrotettava tulpasta aina ennen monitoimimoottoriyksikölle tehtäviä huoltotoimia.

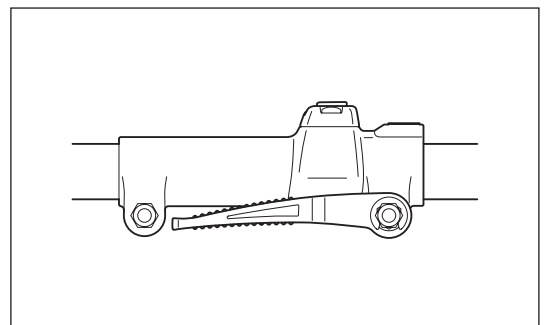
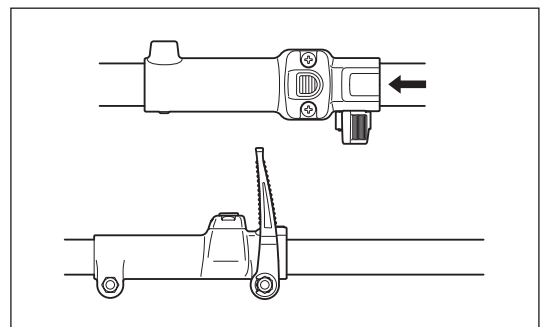
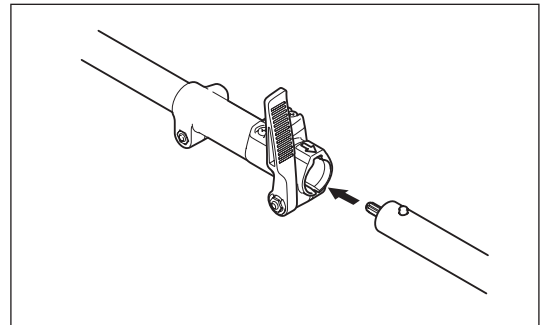
Käytä aina suojakäsineitä.

HUOMIO: Käynnistä monitoimimoottoriyksikkö vasta sitten, kun se on täysin koottu ja tarkastettu.



Kokoaminen

- Löysää vipu.
- Kohdista työkalun tappi liitoskohdan uraan ja aseta tappi paikalleen.
- Työnnä työkalu paikalleen nuolella merkittyyn kohtaan asti. Tarkista, että painike on noussut ylös.
- Kiristä vipu.
(Katso ohjeiden oikealla puolella olevaa kaaviokuvaa.)

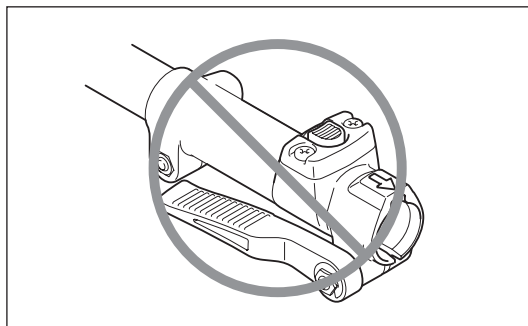
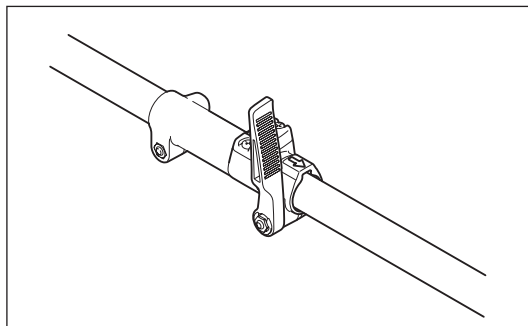


PURKAMINEN

- Löysää vipu.
- Paina painiketta ja irrota työkalu.
(Pyri irrottamaan työkalu vetämällä sitä suorassa linjassa.)

Huomautus:

- Älä jätä vipua kiristettyyn asentoon, kun työkalu ei ole kiinni.



ENNEN KÄYTTÖÄ

Moottoriöljyn määrän tarkistus ja lisäys

- Suorita seuraavat toimenpiteet, kun moottori on jäähtynyt.
- Aseta moottori vaakasuoraan, irrota öljysäiliön korkki (kuva 1) ja tarkista, onko öljyn pinta öljyputken ylä- ja alarajamerkin välissä (kuva 2).
- Jos öljyä on liian vähän (öljyn pinta on lähellä alarajamerkkiä), lisää öljyä ylärajamerkin tasolle (kuva 3).
- Ulkoisten merkkien välinen alue on läpinäkyvä, joten öljyn määrän voi tarkistaa avaamatta öljysäiliön korkkia. Jos öljyputki likaantuu, öljyn määrän tarkistaminen ulkoisesti ei ehkä onnistu, ja määrä on tarkistettava öljyputken sisällä olevan porrastetun osan avulla.
- Öljyntäyttöväli on yleensä noin 10 h (joka 10:s tankkaus).
Jos öljyn väri muuttuu tai sen sekaan joutuu hiekkaa, vaihda öljy. (Lisätietoja vaihtovälistä ja öljynvaihdesta on sivulla 76.)

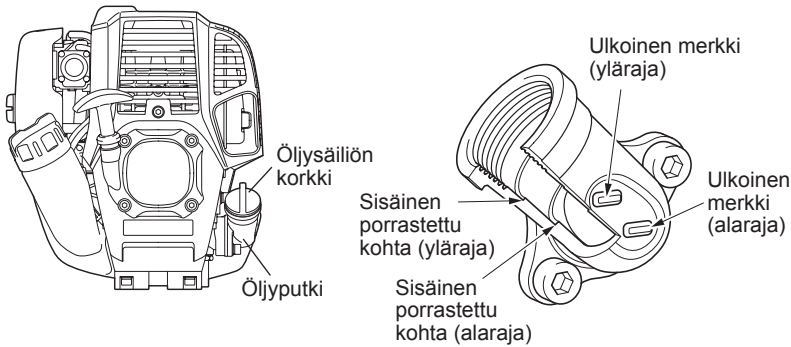
Suosittelut öljyalaatu: SAE 10W-30 (API) vähintään luokka SF (autojen nelitahtimoottoreille)

Öljymäärä: n. 0,08 l

Huomautus: Jos moottori ei ole täyten aikana pystyasennossa, öljyä voi valua moottorin ympärille, jolloin seurauksena voi olla ylitäyttö.
Jos öljyä lisätään ylärajan yli, öljy voi likaantua tai syttyä palamaan ja kehittää vaaleaa savua.

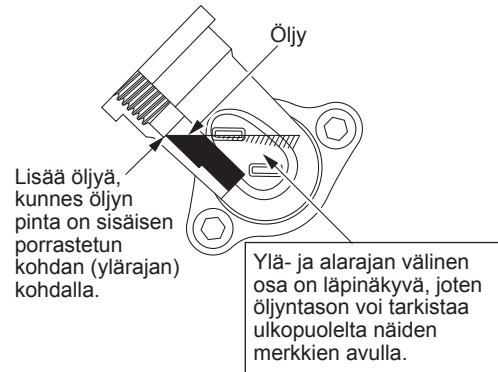
Kohta 1 Öljynvaihto: Öljysäiliön korkki

- Puhdista täyttöaukon ympäristö pölystä ja hiekasta ja irrota öljysäiliön korkki.
- Pidä öljysäiliön korkki puhtaana hiekasta ja pölystä. Öljysäiliön korkkiin tarttuva hiekka tai pöly saattaa haitata öljyn kiertoa moottorissa tai kuluttaa osia ja aiheuttaa ongelmia.



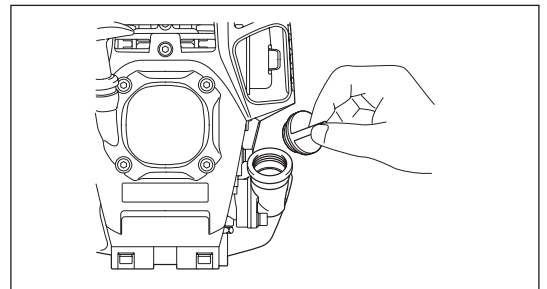
Kuva 1

Kuva 2 Öljyputki

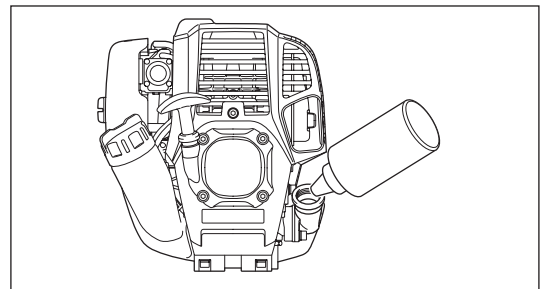


Kuva 3

- (1) Pidä moottori suorassa ja irrota öljysäiliön korkki.



- (2) Lisää öljyä ylärajamerkin tasolle. (Katso kuvaa 3.)
Käytä täyttämiseen öljypulloa.



- (3) Kierrä öljysäiliön korkki tiukasti kiinni. Jos korkki jää löysälle, siitä voi vuotaa öljyä.

Huomautus

- Älä vaihda öljyä, jos moottori ei ole suorassa.
- Öljynvaihto moottorin ollessa kallistettuna saattaa aiheuttaa ylitäyttämisen, mikä voi aiheuttaa saastumista ja/tai valkoisen savun muodostumista.

Kohta 2 Öljynvaihto: Öljyn ylivuoto

- Jos polttoainesäiliön ja moottorin väliin läikkyy öljyä, se imeytyy sisään jäähdytysilman sisäänotosta, mikä saattaa liata moottorin. Pyyhi läikkynyt öljy pois ennen laitteen käyttöä.

TANKKAUS

Polttoaineen käsittely

Polttoainetta pitää käsitellä suurta huolellisuutta noudattaen. Polttoaineessa voi olla liuottimien kaltaisia aineita. Tankkaus on suoritettava riittävän hyvin ilmastoidussa tilassa tai ulkoilmassa. Älä koskaan hengitä bensiinihöyryjä, ja pidä bensiini loitolla. Jos kosketat polttoainetta toistuvasti tai pitkään, iho kuivuu, mistä voi seurata ihosairaus tai allergia. Jos polttoainetta joutuu silmiin, huuhto silmät puhtaalla vedellä. Jos silmissä tuntuu yhä ärsytystä, ota yhteys lääkäriin.

Polttoaineen säilytysajat

Polttoaine on käytettävä neljän viikon kuluessa, vaikka sitä säilytettäisiinkin asianmukaisessa astiassa hyvin ilmastoidussa ja varjoisassa paikassa.

Jos polttoainetta ei säilytetä tarkoituksenmukaisessa astiassa tai jos astia on avonainen, polttoaineen laatu voi heiketä yhdessä päivässä.

LAITTEEN JA VARAPOLTTOAINEEN SÄILYTYS

- Säilytä laite ja varapolttoaine viileässä paikassa suoralta auringonvalolta suojattuna.
- Älä koskaan säilytä polttoainetta autossa tai sen tavarasäiliössä.

Polttoaine

Moottori on nelitahtinen. Varmista, että käytetty polttoaine on autoihin tarkoitettua bensiiniä (tavallista tai korkeaoktaanista).

Polttoaineesta

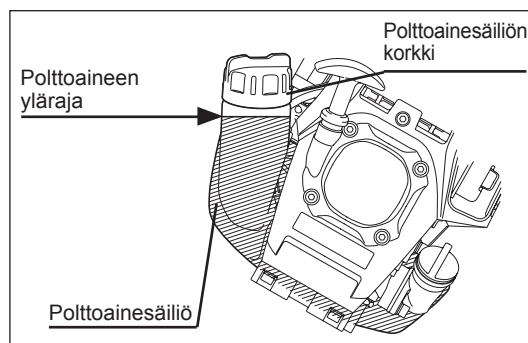
- Älä koskaan käytä bensiiniä, johon on sekoitettu moottoriöljyä. Moottori voi karstoittua tai siihen tulee mekaanisia vikoja.
- Heikkolaatuisen öljyn käyttö vaikeuttaa moottorin käynnistämistä.

Tankkaus

VAROITUS: PALAVIEN AINEIDEN KÄYTTÖ EHDOTTOMASTI KIELLETTY

Käytettävä bensiinilaatu: Autobensiini (lyijytön bensiini)

- Löysää hieman polttoainesäiliön korkkia paine-erojen tasaamiseksi.
- Irrota korkki ja kallista tankkia hieman, kun lisäät polttoainetta, jotta ilma pääsee poistumaan ylöspäin. (Älä koskaan kaada polttoainetta öljyntäyttöaukkoon.)
- Pyyhi polttoainesäiliön korkin ympäristö huolellisesti, jotta polttoainesäiliöön ei pääse epäpuhtauksia.
- Kierrä polttoainesäiliön korkki tiukasti kiinni tankkauksen jälkeen.
- Jos polttoainesäiliön korkissa on vikaa, vaihda se.
- Polttoainesäiliön korkki on kulutusosa, joten se on syytä vaihtaa uuteen parin kolmen vuoden välein.



LAITTEEN OIKEA KÄSITTELY

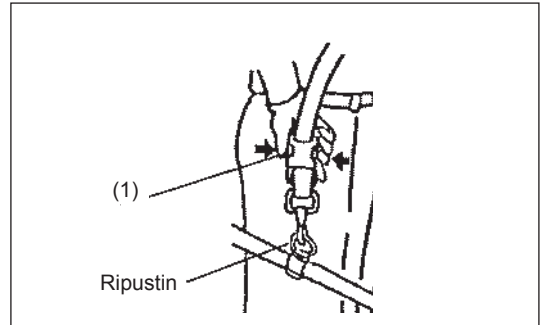
Olkahihnan kiinnittäminen

- Säädä hihnan pituus käyttötarkoitusta vastaavaksi.

Irrutus

- Paina hätätilanteen sattuessa molemmilla puolella olevia lovia (1), jolloin voit irrottautua laitteesta.
Huolehdi tällöin, että laite pysyy hallinnassasi. Älä päästä laitetta ponnahtamaan itseäsi tai ketään muuta lähistöllä olevaa kohti.

VAROITUS: Jos laitteen hallinta menetetään, seurauksena voi olla vakava vamma tai KUOLEMA.



KÄYTÖN VAIHEET JA PYSÄYTTÄMINEN

Noudata soveltuvia onnettomuuksien välttämisestä annettuja määräyksiä!

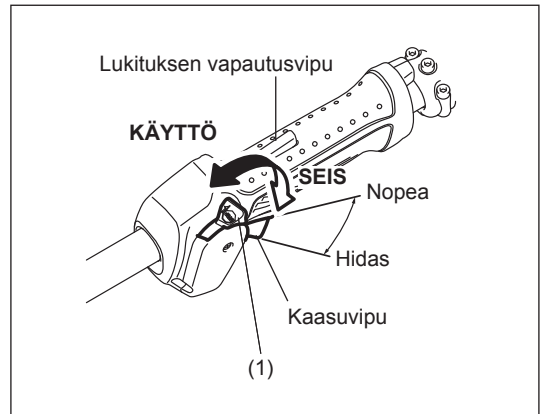


KÄYNNISTYS

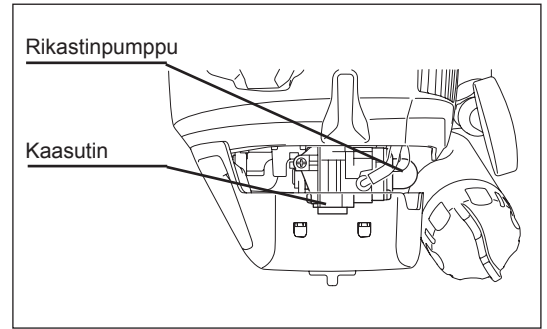
Siirry ainakin 3 m:n päähän tankkauspaikasta. Sijoita monitoimimoottoriyksikkö puhtaalle maa-alustalle ja varmista, että työkalu ei kosketa maata tai mitään muuta kohdetta.

A: Kylmäkäynnistys

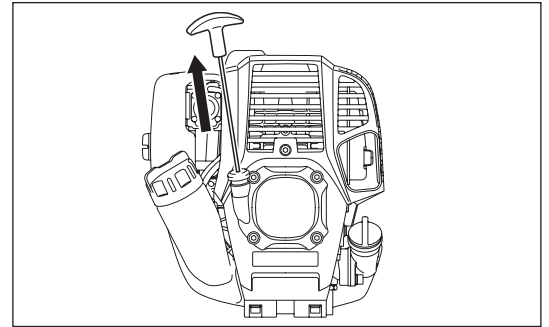
- 1) Aseta puhallin tasaiselle alustalle.
- 2) Aseta I-O-kytkin (1) KÄYTTÖ-asentoon.



- 3) Rikastinpumppu
Pumppaa rikastinpumppua, kunnes se täyttyy polttoaineesta. (Yleensä 7–10 painallusta riittää pumppaamaan polttoaineen rikastinpumppuun.)
Jos rikastinpumppua painetaan liian monta kertaa, ylimääräinen polttoaine palaa takaisin polttoainesäiliöön.



- 4) Vetokäynnistin
Vedä käynnistinkahvasta varovasti, kunnes tunnet vastusta (puristuskohta). Palauta käynnistinkahva sitten alkuasentoonsa ja vedä voimakkaasti. Älä koskaan vedä käynnistinkahvaa loppuun asti. Käynnistinkahvaa ei saa vapauttaa välittömästi kiskaisun jälkeen. Saata käynnistinkahva alkuasentoonsa.
- 5) Moottorin lämmityskäyttö
Anna moottorin lämmitä 2–3 minuuttia.



Huomautus: Os moottoriin on päässyt liikaa polttoainetta, irrota sytytystulppa ja poista ylimääräinen polttoaine vetämällä hitaasti käynnistinkahvasta. Kuivaa myös sytytystulpan elektrodit.

Varottava käytön aikana:

Jos kaasuvipu avataan kokonaan tyhjäkäynnin aikana, moottorin kierrosluku nousee arvoon 10 000 min⁻¹ tai yli sen. Älä koskaan käytä moottoria tarpeettoman suurella kierrosluvulla tai kierrosluvulla, joka on n. väliltä 6 000–8 500 min⁻¹.

B: Käynnistys moottorin lämmityksen jälkeen

- 1) Pumppaa rikastinpumppua toistuvasti.
- 2) Pidä kaasuvipu joutokäyntiasennossa.
- 3) Vedä vetokäynnistimestä voimakkaasti.
- 4) Jos moottoria on vaikea käynnistää, avaa kaasua noin 1/3.
Varo työkalua, sillä se voi pyöriä.

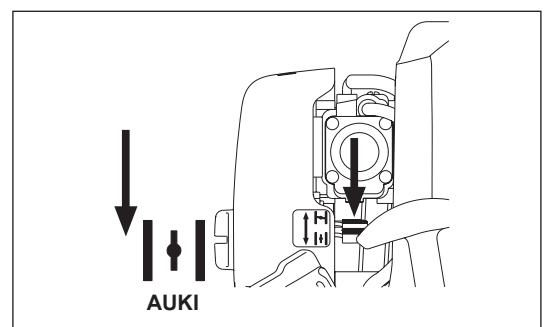
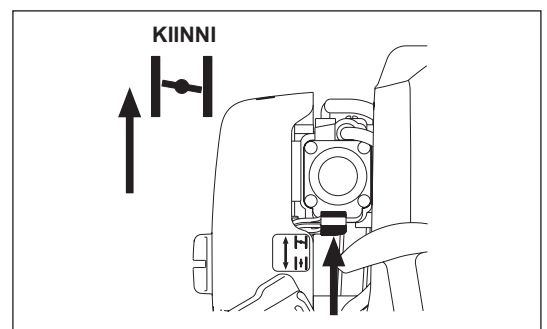
Jos käynnistäminen on vaikeaa, esimerkiksi talvella

Käytä moottorin käynnistyksen aikana kuristinvipua seuraavassa kerrotulla tavalla.

- Suorita käynnistämisen vaiheet 1–3 ja käännä kuristinvipu KIINNI-asentoon.
- Käynnistä moottori vaiheen 4 ohjeiden mukaisesti.
- Kun moottori käynnistyy, siirrä kuristinvipu AUKI-asentoon.
- Käytä moottori lämpimäksi vaiheen 5 ohjeiden mukaisesti.

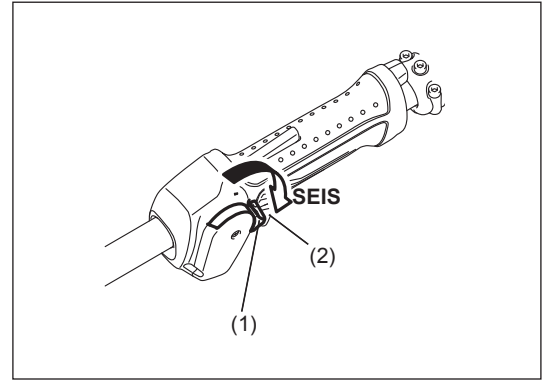
HUOMIO: Jos moottorista kuuluu paukahdus ja se sammuu tai jos vasta käynnistetty moottori ennen kuin kuristinvipua ehditään siirtää, palauta kuristinvipu AUKI-asentoon ja käynnistä moottori vetämällä muutaman kerran käynnistinkahvasta.

HUOMIO: Jos kuristinvipu jätetään KIINNI-asentoon ja käynnistinkahvasta vedetään toistuvasti, moottori saa liikaa polttoainetta ja sen käynnistäminen vaikeutuu.



PYSÄYTTÄMINEN

- 1) Vapauta kaasuvipu (2) kokonaan. Kun moottorin kierrosluku on laskenut, aseta I-O-kytkin SEIS-asentoon, jolloin moottori pysähtyy.
- 2) Muista, että työkalu ei pysähdy heti. Anna sen pysähtyä täysin.

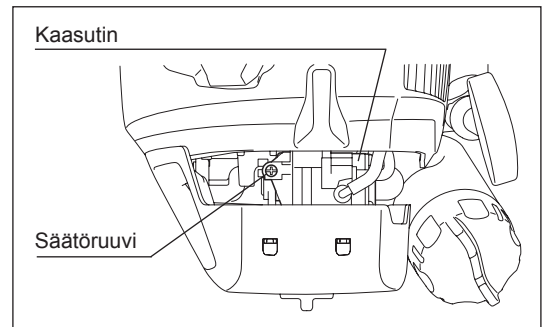


JOUTOKÄYNTINOPEUDEN SÄÄTÖ

Joutokäyntinopeutta voi tarvittaessa muuttaa kääntämällä kaasuttimen säätöruuvia.

JOUTOKÄYNTINOPEUDEN TARKISTUS

- Aseta joutokäyntinopeudeksi 3 000 min⁻¹. Käyntinopeutta voi tarvittaessa muuttaa kääntämällä säätöruuvia ristipääruuvitalalla (ks. oheinen kuva).
- Säätöruuvin kääntäminen oikealle suurentaa moottorin käyntinopeutta. Säätöruuvin kääntäminen vasemmalle pienentää moottorin käyntinopeutta.
- Kaasuttimen säädöt tehdään yleensä tehtaalla ennen toimitusta. Jos sitä on tarpeen säätää uudelleen, ota yhteys valtuutettuun huoltoliikkeeseen.



HUOLTO-OHJEET

HUOMIO: Moottori on sammutettava ja sytytystulpan johto irrotettava tulpasta aina ennen monitoimimoottoriyksikölle tehtäviä huoltotoimia (ks. kohta "Sytytystulpan tarkistus").
Käytä aina suojakäsineitä.
Älä koskaan käytä bensiiniä, ohentimia, alkoholia tms. aineita. Muutoin pinta voi halkeilla tai sen värit ja muoto voivat muuttua.
Tekemällä seuraavat huoltotoimenpiteet säännöllisin väliajoin voit varmistaa pitkän käyttöiän ja ehkäistä laitteen vioittumisen.

Päivittäinen tarkistus ja huolto

- Tarkista ennen käyttöä, onko jokin laitteen ruuveista löystynyt tai puuttuko jokin laitteen osista. Varmista erityisesti, että työkalu on asennettu paikalleen oikein.
- Tarkista aina ennen käyttöä, etteivät jäähdytysilmakanavat ja sylinterin jäähdytysrivat ole tukkeutuneet tai likaiset. Puhdista ne tarvittaessa.
- Tee seuraavat toimenpiteet päivittäin käytön jälkeen:
 - Puhdista monitoimimoottoriyksikkö ulkopuolelta ja tarkista, näkykö siinä merkkejä vaurioista.
 - Puhdista ilmasuodatin. Jos työskentely-ympäristö on erittäin pölyinen, puhdista suodatin useita kertoja päivässä.
 - Tarkista, että joutokäynti- ja käyttönopeuden välinen ero on riittävän suuri niin, että työkalu ei pyöri moottorin käydessä joutokäynnillä (piennä joutokäyntinopeutta tarvittaessa).
Jos terä jatkaa pyörimistä joutokäynnin aikana, ota yhteys lähimpään valtuutettuun huoltoliikkeeseen.
- Tarkista I-O-kytkimen, lukituksen vapautusvivun ja kaasuvivun toiminta.

MOOTTORIN ÖLJYNVAIHTO

Heikkolaatuinen moottoriöljy lyhentää liukuvien ja pyörivien osien käyttöikää huomattavasti. Huolehdi öljynvaihtoväleistä ja tarkista täyttömäärä.



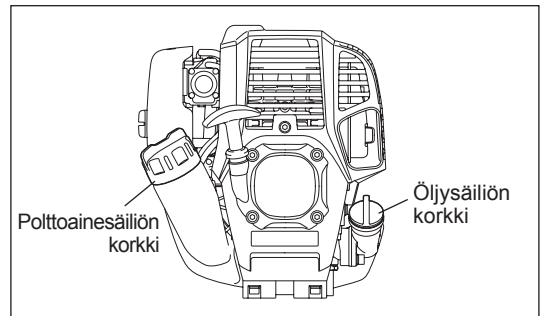
VAROITUS: Moottori ja öljy ovat yleensä kuumia heti moottorin sammuttamisen jälkeen. Ennen öljynvaihtoa on varmistettava, että moottori ja öljy ovat jäähtyneet riittävästi. Muutoin seurauksena voi olla palovammoja.

Huomautus: Jos öljyä täytetään ylärajan yli, öljy voi likaantua tai syttyä palamaan ja kehittää vaaleaa savua.

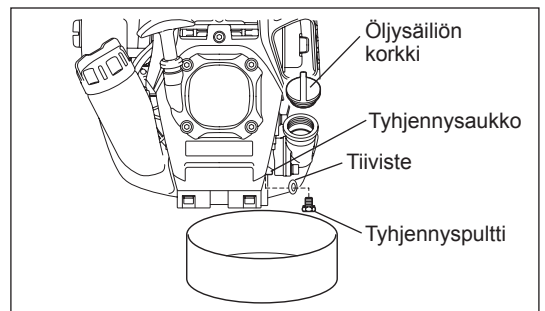
Vaihtoväli: Aluksi 20 käyttötunnin ja sen jälkeen 50 käyttötunnin välein
Suosittelut öljyalaatu: SAE 10W-30 (API), vähintään luokka SF (autojen nelitahtimoottoreille tarkoitettu öljy)

Öljynvaihto tehdään seuraavasti.

- 1) Varmista, että polttoainesäiliön korkki on kunnolla kiinni.
- 2) Aseta riittävän suuri astia tyhjennysaukon alle.

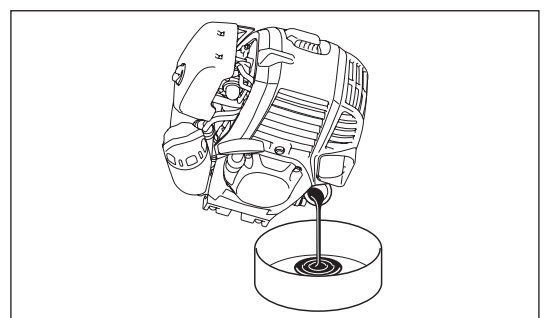


- 3) Irrota tyhjennyspultti ja öljysäiliön korkki ja anna öljyn valua ulos tyhjennysaukosta.
Älä hävitä tyhjennyspultin tiivistettä ja pidä kaikki irrotetut osat puhtaina.
- 4) Kun kaikki öljy on valunut ulos, asenna tiiviste tyhjennyspulttiin ja kiristä pultti paikalleen tiukasti, ettei se pääse löystymään ja aiheuttamaan öljyvuotoja.
* Pyyhi öljy pois ruuvista ja työkalusta.

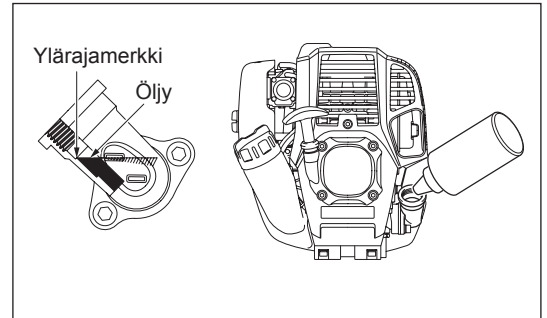
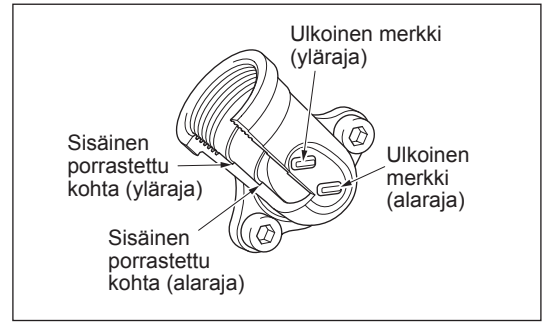


Vaihtoehtoinen tyhjennystapa

Irrota öljysäiliön korkki, kallista monitoimimoottoriyksikköä öljyntäyttöaukon puolelle ja valuta öljy ulos.
Kerää öljy säiliöön.



- 5) Aseta moottori vaakasuoraan ja täytä öljysäiliö uudella öljyllä ylärajamerkkiin asti.
- 6) Kun olet täyttänyt säiliön, kiristä öljysäiliön korkki tiukasti, ettei se pääse löystymään ja aiheuttamaan öljyvuotoja.
Jos öljysäiliön korkki ei ole tiukasti kiristetty, se voi vuotaa.



HUOMATTAVAA ÖLJYYN LIITTYEN

- Älä koskaan heitä käytettyä moottoriöljyä roskeen tai kaada sitä maahan tai viemäriin. Öljyn hävittämisestä on lakisääteiset ohjeet. Noudata jätteiden käsittelyä koskevia lakeja ja määräyksiä. Ota yhteyttä valtuutettuun huoltoliikkeeseen, jos tarvitset lisäohjeita.
- Öljyn laatu heikkenee myös käyttämättömänä. Tarkista ja vaihda öljyt säännöllisin (6 kuukauden) välein.

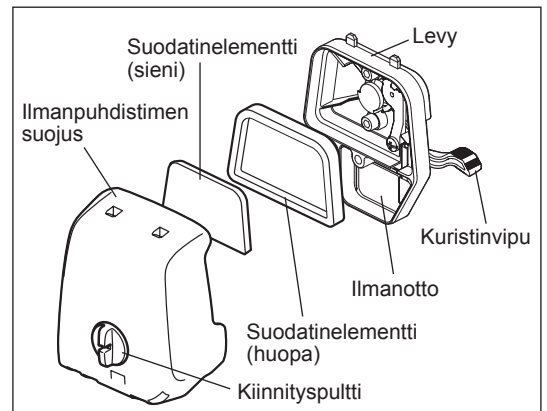
ILMANPUHDISTIMEN PUHDISTUS



VAARA: PALAVIEN AINEIDEN KÄYTTÖ EHDOTTOMASTI KIELLETTY

Puhdistus- ja tarkastusväli: Päivittäin (10 käyttötunnin jälkeen)

- Sulje kuristin ja suojaa kaasutin hiekalta ja pölyltä.
- Löysää kiinnityspultti.
- Irrota ilmanpuhdistimen suojus vetämällä sen alareunasta.
- Irrota suodatinelementit ja poista hiekka napauttamalla niitä.
- Jos suodatinelementit ovat hyvin likaisia:
Irrota suodatinelementit, upota ne lämpimään veteen tai mietoon pesuliuokseen ja anna niiden sitten kuivua täysin kuivaksi. Älä purista tai hankaa elementtejä pesun aikana.
- Varmista, että suodatinelementit ovat täysin kuivia, ennen kuin asetat ne takaisin paikoilleen. Jos suodatinelementit eivät ole täysin kuivia, ne voivat vaikeuttaa käynnistämistä.
- Pyyhi ilmanpuhdistimen suojuksen ja ilmanotto-osaan kertynyt öljy trasselilla.
- Asenna suodatinelementti (sieni) suodatinelementtiin (huopa). Aseta suodatinelementit levyyn siten, että sienielementti on päin ilmanpuhdistimen suojusta.
- Kiinnitä ilmanpuhdistimen suojus heti ja kiristä sen kiinnityspulteilla. (Kiinnitä ensin ylempi ja sitten alempi kiinnike.)



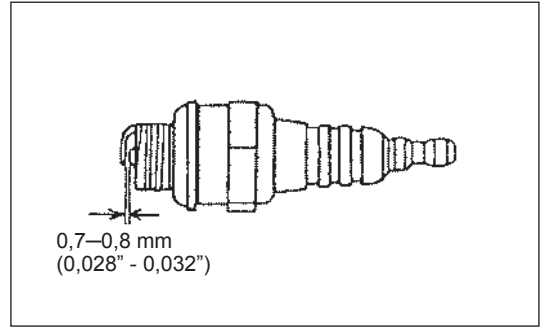
HUOMAUTUS:

- Puhdista suodatinelementit useita kertoja päivässä, jos niihin kerääntyy paljon likaa. Likaiset suodatinelementit pienentävät moottorin tehoa ja vaikeuttavat sen käynnistystä.
- Pyyhi öljy pois suodatinelementeistä. Jos käyttöä jatketaan ilman, että suodatinelementit puhdistetaan öljystä, ilmanpuhdistimen öljy voi valua ulos ja saastuttaa ympäristöä.
- Älä aseta suodatinelementtejä maahan tai likaiselle alustalle. Niihin voi kertyä likaa, joka voi vaurioittaa moottoria.
- Älä koskaan puhdista suodatinelementtejä polttoaineella. Polttoaine voi vaurioittaa niitä.

SYTYTYSTULPAN TARKISTUS

- Käytä sytytystulpan irrottamiseen ja kiinnittämiseen vain laitteen mukana toimittua yleisavainta.
- Sytytystulpan elektrodien kärkivälin tulee olla 0,7–0,8 mm. Jos väli on liian suuri, säädä sitä. Jos sytytystulppa on karstoittunut tai likainen, puhdista se huolellisesti tai vaihda se.

HUOMIO: Älä koskaan koske sytytystulpan johtoon moottorin käydessä (suurjännitteisen sähköiskun vaara).



POLTTOAINEENSUODATTIMEN PUHDISTUS

VAROITUS: PALAVIEN AINEIDEN KÄYTTÖ EHDOTTOMASTI KIELLETTY

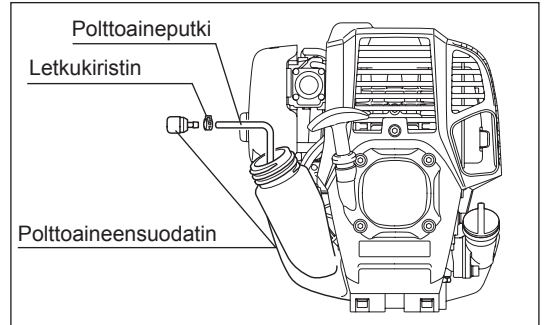
Puhdistus- ja tarkastusväli: Kuukausittain (50 käyttötunnin jälkeen)

Polttoainesäiliön imupää

Tarkista polttoaineensuodatin säännöllisesti. Tarkista polttoaineensuodatin seuraavien ohjeiden mukaisesti.

- (1) Avaa polttoainesäiliön korkki ja tyhjennä säiliö bensiinistä. Tarkista, että säiliössä ei ole mitään sinne kuulumatonta. Jos on, poista ne.
- (2) Vedä imupää ulos täyttöaukosta rautalankakoukulla.
- (3) Jos polttoaineensuodatin on hieman tukkeutunut, puhdista se. Puhdista suodatin ravistamalla ja naputtamalla sitä kevyesti polttoaineeseen upotettuna. Älä purista tai hankaa sitä, sillä se voi vaurioitua. Puhdistamiseen käytetty polttoaine on hävitettävä kussakin maassa voimassa olevien säädösten mukaisesti. Jos polttoaineensuodatin kovettuu tai tukkeutuu täysin, vaihda se.
- (4) Ku olet tarkastanut, puhdistanut tai vaihtanut polttoaineensuodattimen, työnnä se polttoainesäiliön pohjalle.

Tukkeutunut tai vaurioitunut polttoaineensuodatin voi haitata polttoaineensyöttöä ja pienentää moottorin tehoa. Vaihda polttoaineensuodatin vähintään neljännesvuosittain kaasuttimen riittävän polttoaineensaannin varmistamiseksi.



POLTTOAINEPUTKEN VAIHTAMINEN

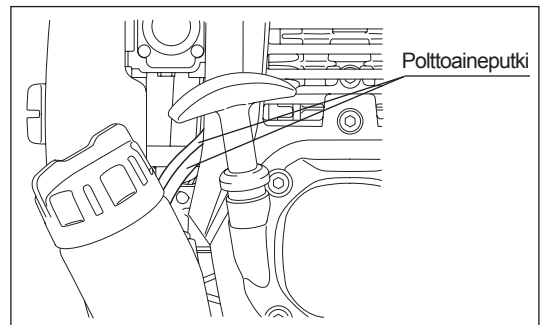
HUOMIO: PALAVIEN AINEIDEN KÄYTTÖ EHDOTTOMASTI KIELLETTY

Puhdistus- ja tarkastusväli: Päivittäin (10 käyttötunnin jälkeen)

Vaihto: Vuosittain (200 käyttötunnin jälkeen)

Vaihda polttoaineputki vuosittain käytön määrästä riippumatta. Polttoainevuoto voi aiheuttaa tulipalon.

Jos tarkastuksessa havaitaan vuotoja, vaihda polttoaineputki välittömästi.



PULTTIEN, MUTTERIEN JA RUUVIEN TARKASTUS

- Kiristä löystyneet pultit, mutterit tms.
- Tarkista, vuotaako laitteesta polttoainetta tai öljyä.
- Vaihda vialliset osat uusien turvallisen käytön varmistamiseksi.

OSIEN PUHDISTUS

- Pidä moottori aina puhtaana.
- Pidä sylinterin jäähdytysrivat puhtaina pölystä ja liasta. Sylinterin jäähdytysripoihin tarttunut pöly tai lika aiheuttaa männän kiinnileikkautumisen.

TIIVISTEIDEN VAIHTO

Tiivisteet on vaihdettava uusiin, kun moottori kootaan uudelleen purkamisen jälkeen.

Kaikki sellaiset huollot ja säädöt, joita ei ole erikseen selostettu tässä oppaassa, on jätettävä valtuutetun huolto liikkeen tehtäväksi.

SÄILYTYS

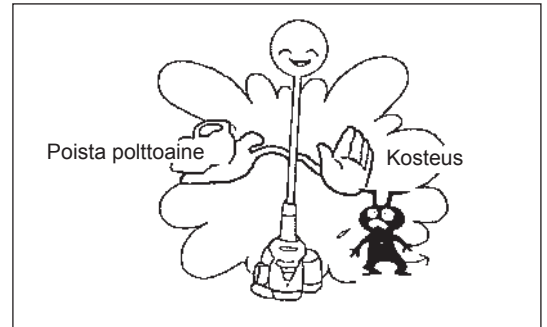


VAROITUS: Sammuta moottori ja varmista, että se on jäähtynyt, ennen kuin alat tyhjentää laitetta polttoaineesta. Moottori on heti sammutuksen jälkeen vielä kuuma, joten se voi aiheuttaa palovammoja tai tulipalon.



VAROITUS: Jos laitetta ei käytetä pitkään aikaan, tyhjennä sekä polttoainesäiliö että kaasutin polttoaineesta ja säilytä laitetta kuivassa ja siistissä paikassa.

- Tyhjennä polttoainesäiliö ja kaasutin seuraavasti:
 - 1) Avaa polttoainesäiliön korkki ja tyhjennä säiliö bensiinistä. Jos säiliössä on vierasaineita, poista ne huolellisesti.
 - 2) Vedä polttoaineensuodatin ulos rautalangalla täyttöaukosta.
 - 3) Pumppaa rikastinpumppua, kunnes se on tyhjä, ja kaada sitten säiliöön valunut polttoaine pois.
 - 4) Aseta polttoaineensuodatin takaisin säiliöön ja kierrä polttoainesäiliön korkki tiukasti kiinni.
 - 5) Käynnistä sitten moottori ja anna sen käydä, kunnes se sammuu.
- Irrota sytytystulppa ja tiputa useita tippoja moottoriöljyä sytytystulpan aukkoon.
- Vedä käynnistinkahvasta kevyesti niin, että öljy leviää moottoriin, ja kiinnitä tulppa sitten takaisin paikoilleen.
- Älä siirrä vipua lukitusasentoon, jos työkalu ei ole kiinni laitteessa. Jos vipu on lukitusasennossa, työkalua ei voi asentaa paikalleen.
- Laitetta tulee mahdollisuuksien mukaan säilyttää vaaka-asennossa. Jos tämä ei ole mahdollista, aseta laite sellaiseen asentoon, että moottori tulee leikkuuterän alapuolelle. Muuten moottorista voi vuotaa öljyä.
- Säilytä laitetta aina turvallisessa paikassa, jotta laite ei vahingoitu tai aiheuta henkilövahinkoja.
- Säilytä laitteesta tyhjennettyä polttoainetta tarkoitukseen soveltuvassa astiassa varjoisassa ja hyvin ilmastoidussa paikassa.



Pitkän käyttämättömyyden jälkeen huomattavaa

- Jos laite on pitkään käyttämättä, vaihda öljyt ennen käynnistystä (ks. s. 76). Öljyn laatu heikkenee myös laitteen ollessa käyttämättömänä.

Vikojen paikannus

Vika	Järjestelmä	Havainto	Syy
Moottori ei käynnisty tai käynnistyy vain vaivoon	Sytytysjärjestelmä	Sytytyskipinä näkyy Sytytystulpassa ei näy kipinää	Vika polttoainejärjestelmässä tai puristuspuheen tuottamisessa, mekaaninen vika SEIS-kytkin käytössä, johdoissa vikoja, oikosulku, viallinen sytytystulppa tai sytytystulpan johto, viallinen sytytysyksikkö
	Polttoainejärjestelmä	Polttoainesäiliö on täytetty	Väärä kuristimen asento, viallinen kaasutin, vääntynyt tai tukkeutunut polttoaineputki, epäpuhtauksia polttoaineessa
	Puristus	Moottorissa ei tunnu puristusta, kun käynnistinnarusta vedetään	Viallinen sylinterin alapinnan tiiviste, kampiakselin tiivisteet vaurioituneet, viallinen sylinteri tai männänrenkaat tai sytytystulpan puutteellinen eristys
	Mekaaninen vika	Käynnistin ei tartu kiinni	Rikkinäinen käynnistinlaitteen jousi, rikkoutuneita osia moottorin sisällä
Käynnistysongelmia, lämmin moottori		Säiliö täytetty, sytytyskipinä näkyy	Likainen kaasutin, vie puhdistettavaksi
Moottori käynnistyy, mutta ei jaksaa käydä	Polttoainejärjestelmä	Säiliö täytetty	Väärin säädetty joutokäynti, kaasutin likaantunut Viallinen polttoainesäiliön ilma-aukko, tukkeutunut polttoaineputki, viallinen ohjausvaijeri tai SEIS-kytkin
Vajaateho	Useassa järjestelmässä voi olla vikaa samanaikaisesti	Moottorin tyhjäkäynti heikkoa	Likainen ilmansuodatin, likainen kaasutin, tukkeutunut äänenvaimennin, tukkeutunut sylinterin pakokanava

Kohde \ Käyttötunnit		Ennen käyttöä	Voitelun jälkeen	Päivittäin (10 h)	30 h	50 h	200 h	Varastointi/tauko	Vastaava sivu
Moottoriöljy	Tarkista	○							72
	Vaihda					○*1			76
Kiristettävät osat (pultit, mutterit)	Tarkista	○							78
Polttoainesäiliö	Puhdista/tarkasta	○							—
	Poista polttoaine							○*3	79
Kaasuvipu	Tarkista toiminta		○						—
Seis-kytkin	Tarkista toiminta		○						75
Joutokäyntinopeus	Tarkasta/säädä			○					75
Ilmanpuhdistin	Puhdista			○					77
Sytytystulppa	Tarkista			○					78
Jäähdytiskanava	Puhdista/tarkasta			○					78
Polttoaineputki	Tarkista			○					78
	Vaihda						◎*2		—
Polttoaineensuodatin	Puhdista/vaihda					○			78
Ilmanottoaukon ja poistiventtiilin vällys	Säädä						◎*2		—
Moottorin täyshuolto							◎*2		—
Kaasutin	Poista polttoaine							○*3	79

*1 Vaihda ensimmäisen kerran 20 käyttötunnin jälkeen.

*2 Laite tulee tarkastuttaa 200 käyttötunnin jälkeen valtuutetussa huoltoliikkeessä tai korjaamossa.

*3 Kun polttoainesäiliö on tyhjenetty, käytä moottoria, jotta myös kaasutin tyhjenee.

Suorita käytettäville työkaluille niiden käyttöohjeissa kerrotut huoltotoimet.

VIANMÄÄRITYS

Tarkista laite itse, ennen kuin viet sen huoltoon. Jos löydät jotakin normaalista poikkeavaa, toimi tämän käyttöoppaan ohjeiden mukaan. Älä tee muutoksia tai irrota osia ohjeiden vastaisesti. Vie laite korjattavaksi valtuutettuun huoltoliikkeeseen tai myyjälle.

Vikatila	Todennäköinen syy (vika)	Korjaus
Moottori ei käynnisty	Rikastinpumppua ei ole käytetty	Paina 7–10 kertaa.
	Käynnistinnarusta vedetty liian varovaisesti	Vetäise kunnolla.
	Polttoaine lopussa	Tankkaa.
	Tukkeutunut polttoaineensuodatin	Puhdista.
	Taittunut polttoaineputki	Suorista polttoaineputki.
	Heikkolaatuinen polttoaine	Pilaantunut polttoaine vaikeuttaa käynnistämistä. Vaihda uuteen. (Suositeltava vaihtoväli: 1 kuukausi).
	Polttoainetta tulee liikaa	Aseta kaasuvipu keskiasennosta yläasentoon ja vedä käynnistinkahvasta, kunnes moottori käynnistyy. Kun moottori käynnistyy, työkalu alkaa pyöriä. Varo pyörivää työkalua. Jos moottori ei käynnisty vielä, irrota sytytystulppa, kuivaa elektrodi ja asenna osat takaisin paikalleen. Käynnistä sitten ohjeen mukaan.
	Sytytystulpan hattu irti	Kiinnitä kunnolla.
	Likainen sytytystulppa	Puhdista.
	Sytytystulpan kärkiväli epänormaali	Säädä väli.
	Sytytystulppa ei toimi normaalisti	Vaihda.
	Kaasutin ei toimi normaalisti	Vie laite huoltoon.
	Käynnistinnarusta ei voi vetää	Vie laite huoltoon.
Voimansiirto ei toimi normaalisti	Vie laite huoltoon.	
Moottori sammuu nopeasti Moottorin kierrokset eivät nouse	Riittämätön lämmitys	Lämmitä moottoria.
	Kuristinvipu on KIINNI-asennossa, vaikka moottori on lämmin.	Siirrä AUKI-asentoon
	Tukkeutunut polttoaineensuodatin	Puhdista tai vaihda.
	Likainen tai tukkeutunut ilmansuodatin	Puhdista.
	Kaasutin ei toimi normaalisti	Vie laite huoltoon.
	Voimansiirto ei toimi normaalisti	Vie laite huoltoon.
Työkalu ei pyöri tai liiku ↓ Pysäytä moottori välittömästi	Työkalua ei ole asennettu oikeaan kohtaan.	Asenna se ohjeiden mukaisesti.
Laitteessa ilmenee epätavallista tärinää ↓ Pysäytä moottori välittömästi	Työkalua ei ole asennettu oikeaan kohtaan.	Asenna se ohjeiden mukaisesti.
	Vipu ei kiinni	Kiristä kunnolla.
	Voimansiirto ei toimi normaalisti	Vie laite huoltoon.
Työkalu ei pysähdy heti ↓ Pysäytä moottori välittömästi	Korkea joutokäynnin kierrosluku	Säädä.
	Irronnut kaasuvaijeri	Kiinnitä kunnolla.
	Voimansiirto ei toimi normaalisti	Vie laite huoltoon.
Moottori ei sammu ↓ Laske kierrokset joutokäynnille ja käänä kuristinvipu KIINNI-asentoon	Sytytystulpan johto irti	Kiinnitä kunnolla.
	Sähköjärjestelmä ei toimi normaalisti	Vie laite huoltoon.

Jos moottori ei käynnisty lämmityksen jälkeen:

Jos tarkistuskohtien avulla ei löytynyt mitään epänormaalia, avaa kaasua noin 1/3 ja käynnistä moottori.

Pateicamies, ka iegādājāties MAKITA daudzfunkciju instrumentgalvu. Mēs ar prieku piedāvājam MAKITA daudzfunkciju instrumentgalvu, kas radīta ilgās izstrādes programmas rezultātā, izmantojot daudzus zināšanu un pieredzes gadus.
















Lūdzu, izlasiet šo bukletu, kurā sīki aprakstīti dažādi aspekti, kas nodrošina izcilu ierīces darbību. Tas palīdzēs gūt labākos iespējamus rezultātus ar MAKITA daudzfunkciju instrumentgalvu.



Saturs	Lappuse
Simboli.....	82
Drošības instrukcijas	83
Tehniskie dati.....	86
Apstiprinātas papildierīces.....	87
Daļu apzīmējumi.....	88
Roktura piestiprināšana.....	89
Papildierīces piestiprināšana.....	89
Izjaukšana	90
Pirms ekspluatācijas uzsākšanas.....	91
Aparāta pareiza izmantošana.....	93
Norādījumi par ekspluatāciju un apturēšana	93
Apkopes norādījumi.....	96
Uzglabāšana.....	99

SIMBOLI

Lasot lietošanas rokasgrāmatu, būs norādīti šādi simboli.

	Izlasiet lietošanas rokasgrāmatu un ievērojiet brīdinājumus un drošības norādījumus!		Lietojiet aizsargcepuri, acu un ausu aizsargus!
	Esiet īpaši rūpīgi un uzmanīgi!		Degviela (benzīns)
	Aizliegts!		Dzinēja iedarbināšana ar roku
	Smēķēt aizliegts!		Ārkārtas apturēšana
	Atklāta liesma aizliegta!		Pirmā palīdzība
	Valkājiet aizsargcimdus!		IESLĒGT/SĀKT
	Valkājiet cietus apavus ar neslīdošām zolēm. Ieteicami apavi ar tērauda purngaliem!		IZSLĒGT/APTURĒT
	Nejaujiet apkārtnē atrasties cilvēkiem un dzīvniekiem!		

Aparāta paredzētā izmantošana

Šo daudzfunkciju instrumentgalvu ir paredzēts izmantot kopā ar apstiprinātām papildierīcēm, kas norādītas šajā instrukciju rokasgrāmatā. Nekad neizmantojiet aparātu jebkādiem citiem mērķiem.

DROŠĪBAS INSTRUKCIJAS

Vispārēji norādījumi

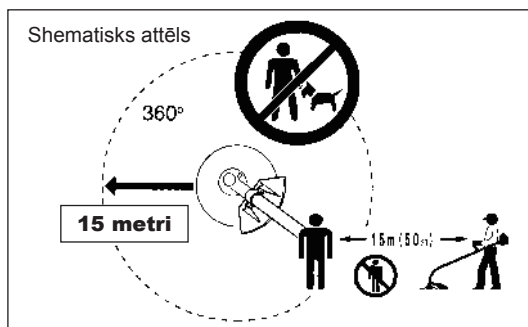
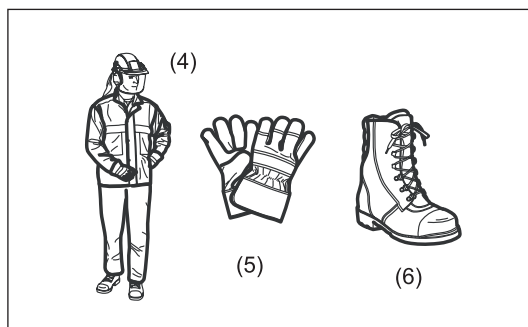
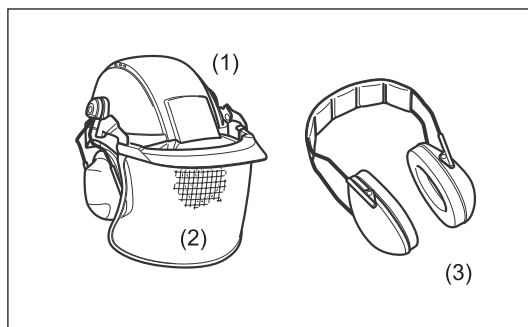
- Lai nodrošinātu pareizu ekspluatāciju, lietotājam jāizlasa šī lietošanas rokasgrāmatā un jāiepazīstas ar daudzfunkciju instrumentgalvas izmantošanu. Lietotāji, kas nebūs pietiekami labi informēti, pakļaus sevi un arī citus bīstamam riskam, nepareizi rīkojoties ar ierīci.
- Ierīci ieteicams dot vienīgi tādām personām, kas jau iepriekš ir strādājušas ar daudzfunkciju instrumentgalvu.
Vienmēr izsniedziet viņiem lietošanas rokasgrāmatu.
- Lietotājiem, kas aparātu izmantos pirmo reizi, būtu jālūdz izplatītājam sniegt pamata instrukcijas, lai iepazītos ar griezējaparātu, ko darbina dzinējs.
- Bērni un jaunieši, kas nav sasnieguši 18 gadu vecumu, nedrīkst izmantot daudzfunkciju instrumentgalvu. Tomēr jaunieši, kas vecāki par 16 gadiem, drīkst lietot instrumentu apmācības nolūkiem, bet tikai kvalificēta instruktora tiešā uzraudzībā.
- Daudzfunkciju instrumentgalvu izmantojiet ar vislielāko rūpību un uzmanību.
- Daudzfunkciju instrumentgalvu lietojiet tikai tad, ja esat labā fiziskā stāvoklī. Visus darbus veiciet mierīgi un uzmanīgi. Lietotājam jāuzņemas atbildība par pārējiem.
- Nekad neizmantojiet daudzfunkciju instrumentgalvu pēc alkohola vai narkotiku lietošanas vai, ja esat noguris vai slims.
- Valsts noteikumi var ierobežot aparāta lietošanu.

Personīgais aizsargaprīkojums

- Valkātajam apģērbam jābūt funkcionālam un piemērotam, t.i., tam jābūt cieši pieguļošam, taču tas nedrīkst ierobežot kustības. Nenēsājiēt tādās rotaslietas vai apģērbu, kas var ieķerties krūmos vai brikšņos.
- Daudzfunkciju instrumentgalvas ekspluatācijas laikā jālieto tālāk minētais aizsargaprīkojums un aizsargapģērbs, lai neievainotu galvu, acis, plaukostas vai pēdas, kā arī lai pasargātu dzirdi.
- Vienmēr valkājiet aizsargcepuri, ja pastāv krītošu priekšmetu risks. Regulāri jāpārbauda, vai aizsargcepurei (1) nav bojājumu un tā jānomaina vēlākais pēc 5 gadiem. Izmantojiet tikai apstiprinātu aizsargcepuri.
- Aizsargcepures aizsargstikls (2) (vai aizsargbrilles) seju aizsargā no lidojošiem neīrūmiem un akmeņiem. Daudzfunkciju instrumentgalvas ekspluatācijas laikā vienmēr lietojiet aizsargbrilles vai aizsargstiklu, lai neievainotu acis.
- Izmantojiet piemērotus trokšņa aizsardzības līdzekļus (austiņas (3), ausu aizbāžņus u.c.).
- Darba kombinezons (4) aizsargā no lidojošiem neīrūmiem un akmeņiem. Mēs stingri iesakām lietotājam valkāt darba kombinezoni.
- Īpaši cimdi (5), kas izgatavoti no biezas ādas, ir daļa no minētajiem līdzekļiem, un tie vienmēr jāvalkā, lietojot daudzfunkciju instrumentgalvu.
- Lietojot daudzfunkciju instrumentgalvu, vienmēr valkājiet cietus apavus (6) ar neslīdošām zolēm. Tie pasargā no ievainojumiem un nodrošina stabilu pamatu.

Daudzfunkciju instrumentgalvas iedarbināšana

- Pārbaudiet, vai tuvumā neatrodas bērni vai citi cilvēki, kā arī uzmanieties no dzīvniekiem tuvumā.
- Pārbaudiet, vai papildierīce ir piestiprināta vietā, vai vadības rokturis ir viegli lietojams un pārbaudiet, vai atbloķēšanas svira darbojas pareizi.
- Tukšgaitas ātrumā papildierīce nedrīkst griezties. Ja rodas šaubas, sazinieties ar izplatītāju, lai noregulētu instrumentu. Pārbaudiet, vai rokturi ir tīri un sausi un pārbaudiet ieslēgšanas/izslēgšanas slēdža funkcionēšanu.

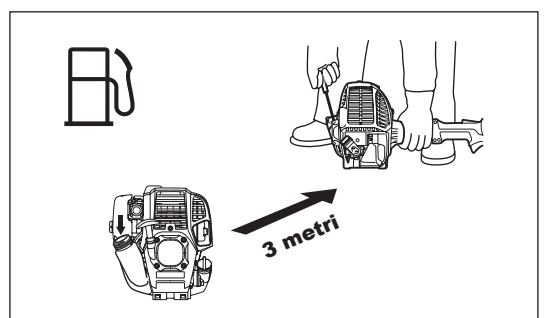
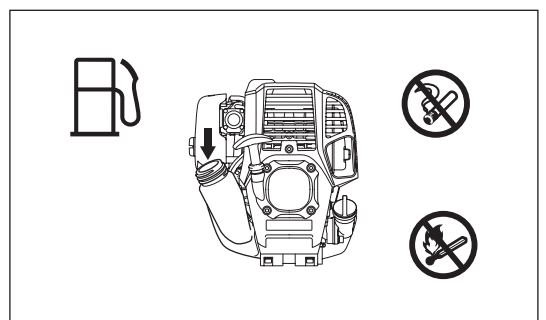
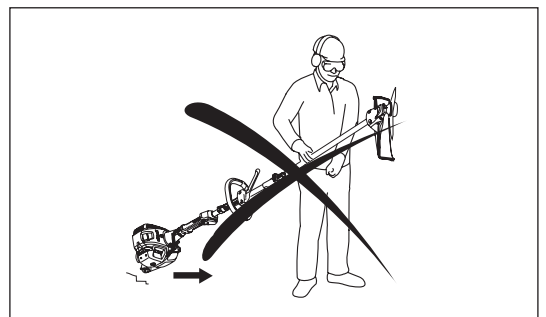
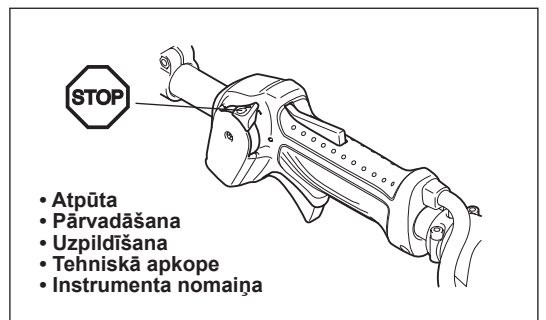
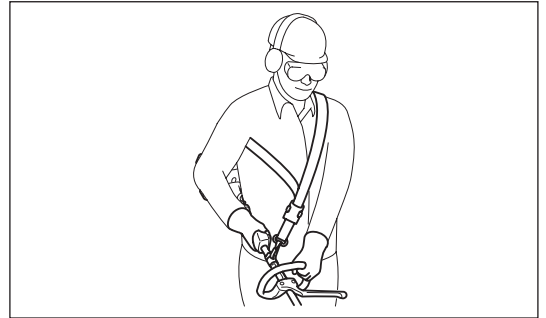
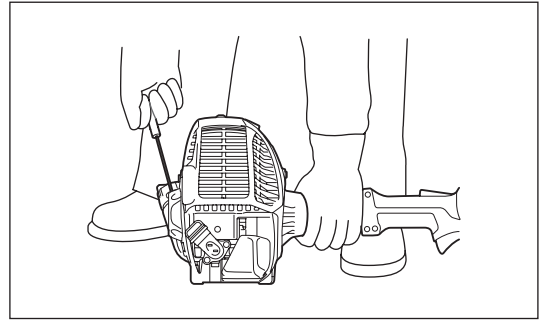


Iedarbiniet daudzfunkciju instrumentgalvu saskaņā ar norādījumiem.

- Dzinēja iedarbināšanai neizmantojiet nevienu citu paņēmieni!
- Izmantojiet daudzfunkciju instrumentgalvu un instrumentus tikai norādītajām darbībām.
- Daudzfunkciju instrumentgalvas dzinēju iedarbiniet tikai tad, kad montāža ir pilnībā pabeigta. Ar ierīci atļauts strādāt tikai tad, kad visi nepieciešamie piederumi ir tai pievienoti!
- Pirms iedarbināšanas pārbaudiet, vai papildierīce nesaskaras ar citiem priekšmetiem, piemēram, zariem, akmeņiem u.c., jo pēc iedarbināšanas papildierīce sāks griezties.
- Ja ar dzinēju rodas kādas problēmas, tas ir nekavējoties jāaptur.
- Ja papildierīce saskaras ar akmeņiem vai citiem cietiem priekšmetiem, nekavējoties izslēdziet dzinēju un pārbaudiet papildierīci.
- Daudzfunkciju instrumentgalvu lietojiet tikai ar piestiprinātu pleca siksnu, ko pirms daudzfunkciju jaudas galvas ekspluatācijas piemēroti noregulējiet. Svarīgi ir noregulēt pleca siksnu atbilstoši lietotāja izmēram, lai novērstu nogurumu, kas var rasties lietošanas laikā. Lietošanas laikā nekad neturiet griezējaparātu ar vienu roku.
- Ekspluatācijas laikā vienmēr turiet daudzfunkciju instrumentgalvu ar abām rokām. Vienmēr stingri stāviet uz pamatnes.
- Daudzfunkciju instrumentgalvu turiet tādā veidā, lai nepieļautu izplūdes gāzes ieelpošanu. Nekad nedarbiniet dzinēju slēgtās telpās (risks saindēties ar gāzi). Oglekļa monoksīds ir gāze bez aromāta.
- Izslēdziet dzinēju atpūtas laikā un, atstājot daudzfunkciju instrumentgalvu bez uzraudzības, kā arī novietojiet to drošā vietā, lai nepakļautu riskam citus un lai nebojātu aparātu.
- Nekad nenovietojiet karstu daudzfunkciju instrumentgalvu uz sausas zāles vai uz viegli uzliesmojošiem priekšmetiem.
- Ekspluatācijas laikā jāizmanto viss aizsargaprīkojums un visas aizsargierīces, kas piegādātas kopā ar aparātu.
- Nekad nelietojiet dzinēju, ja tam bojāts izplūdes klusinātājs.
- Pārvadāšanas laikā izslēdziet dzinēju.
- Pārvadājot lielā attālumā vienmēr jāizmanto instrumenta aizsargi, kas pievienoti aprīkojumam.
- Lai nepieļautu degvielas noplūdi, pārvadājot ar automobili, daudzfunkciju instrumentgalvu novietojiet drošā stāvoklī.
- Pārvadājot daudzfunkciju instrumentgalvu, pārbaudiet, vai degvielas tvertne ir pilnībā tukša.
- Daudzfunkciju instrumentgalvu ņemot ārā no automobiļa, nenometiet dzinēju, jo tas var nopietni bojāt degvielas tvertni.
- Izņemot ārkārtas gadījumus, nekad nemetiet vai nesviediet daudzfunkciju instrumentgalvu pret zemi, jo tas var nopietni bojāt ierīci.
- Pārvietojot aprīkojumu, to pilnībā paceliet no zemes. Degvielas tvertnes vilkšana ir ļoti bīstama un var izraisīt degvielas tvertnes bojājumu un noplūdi, kā arī, iespējams, izraisīt ugunsgrēku.
- Ja ierīce ir saņēmusi smagu triecienu vai kritusi, pārbaudiet tās stāvokli, pirms turpināt darbu. Pārbaudiet, vai degvielas sistēmā nav noplūžu un vai drošības ierīcēm nav kļūmju. Ja ir bojājumi vai rodas šaubas, vērsieties mūsu pilnvarotajā apkopes centrā, lai veiktu pārbaudi un remontu.

Uzpildīšana

- Uzpildīšanas laikā apturiet dzinēju, uzturieties pietiekami tālu no atklātas liesmas un nesmēķējiet.
- Nepieļaujiet, lai minerāleļļas produkti nokļūst uz ādas. Neieelpojiet degvielas garaiņus. Uzpildīšanas laikā vienmēr valkājiet aizsargcimdus. Regulāri nomainiet un tīriet aizsargapģērbu.
- Lai nepiesārņotu augsni (aizsargātu apkārtējo vidi), rūpējieties, lai neizšļakstītu ne degvielu, ne eļļu. Nekavējoties daudzfunkciju instrumentgalvu notīriet, ja degviela ir izšļakstījusies.
- Nepieļaujiet, ka degviela nokļūst uz jūsu apģērba. Nekavējoties nomainiet apģērbu, ja uz tā ir izšļakstījusies degviela (lai nepieļautu apģērba aizdegšanos).
- Regulāri pārbaudiet degvielas vāciņu, pārliecinoties, vai tas ir cieši pieskrūvēts, un no tā nav noplūdes.
- Uzmanīgi pieskrūvējiet degvielas tvertnes vāciņu. Pirms dzinēja iedarbināšanas nostāieties citā vietā (vismaz 3 metrus tālāk no uzpildīšanas vietas).
- Nekad neuzpildiet slēgtā telpā. Degvielas garaiņi koncentrējas zemes līmenī (sprādzienbīstamība).
- Degvielu pārvadājiet un uzglabājiet tikai pārbaudītās tvertnēs. Pārbaudiet, vai degvielai, kas novietota glabāšanai, nevar piekļūt bērni.

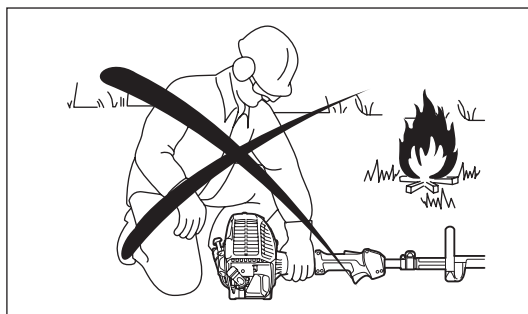


Ekspluatācijas metode

- Izmantojiet daudzfunkciju instrumentgalvu tikai labā apgaismojumā un redzamībā. Ziemā esiet uzmanīgi slidenās vai slapjās vietās, uz ledus un sniegā (paslīdēšanas risks). Vienmēr pārliecinieties par stabilu pamatu.
- Nekad nestāviet uz kāpnēm ar iedarbinātu daudzfunkciju instrumentgalvu.
- Nekad nekāpiet kokā, lai veiktu griešanu ar daudzfunkciju instrumentgalvu.
- Nekad nestrādājiet uz nestabilām virsmām.
- Pirms papildierīces lietošanas tai ir jāsasniedz pilns darba ātrums.
- Regulāri atpūties, lai novērstu noguruma izraisītu kontroles zudumu. Mēs iesakām atpūsties 10 līdz 20 minūtes ik pēc stundas.

Tehniskās apkopes instrukcijas

- Nododiet aprīkojumu apkopei pilnvarotā servisa centrā un vienmēr izmantojiet tikai oriģinālās rezerves daļas. Nepareiza labošana un slikta apkope var saīsināt aprīkojuma kalpošanas laiku un palielināt negadījumu risku.
- Lietojiet daudzfunkciju instrumentgalvu, pēc iespējas mazāk trokšņojot un piesārņojot dabu. Īpaši uzmanīgi pārbaudiet, vai karburators ir pareizi iestatīts.
- Daudzfunkciju instrumentgalvu regulāri tīriet un pārbaudiet, vai visas skrūves un uzgriežņi ir cieši pieskrūvēti.
- Nekad neveiciet tehnisko apkopi daudzfunkciju instrumentgalvai vai arī to neuzglabājiet atklātas liesmas tuvumā.
- Vienmēr uzglabājiet daudzfunkciju instrumentgalvu aizslēgtā telpā, ar tukšu degvielas tvertni.



Ievērojiet visas attiecīgās negadījumu novēršanas instrukcijas, ko izdod arodbiedrības un apdrošināšanas uzņēmumi. Daudzfunkciju instrumentgalvai neveiciet nekādus pārveidojumus, jo tādējādi pakļausit savu drošību riskam.

Lietotājs drīkst veikt tikai tos tehniskās apkopes vai remonta darbus, kas norādīti šajā lietošanas rokasgrāmatā. Visi pārējie darbi jāveic pilnvarotam servisa pārstāvim. Izmantojiet tikai oriģinālās rezerves daļas un papildpiederumus, ko izplata un piegādā MAKITA. Ja izmantosiet neapstiprinātus papildpiederumus un instrumentus, palielināsies negadījumu risks. MAKITA neuzņemsies nekādu atbildību par negadījumiem vai bojājumiem, ko izraisījusi neapstiprinātu papildierīču un papildierīču nostiprināšanas palīgierīču vai papildpiederumu izmantošana.

Pirmā palīdzība

Pārbaudiet, vai griešanas darbu veikšanas tuvumā atrodas pirmās palīdzības aptieciņa, ja notiek negadījums. Ja no pirmās palīdzības aptieciņas paņemts kāds priekšmets, nekavējoties atlieciet vietā jaunu.

Lūdzot palīdzību, vienmēr sniedziet šādu informāciju:

- negadījuma vieta
- kas tieši atgadījās
- ievainoto personu skaits
- ievainojumu veids
- jūsu vārds



Vibrācija

- Ja personas, kam ir vāja asinsrite, ir pakļautas pārmērīgai vibrācijai, tiem var rasties asinsvadu vai nervu sistēmas ievainojumi. Vibrācija var radīt šādus simptomus pirkstos, plaukstās vai plaukstu locītavās: „iemīgšanu” (nejūtīgumu), tirpšanu, sāpes, durstīgas sajūtas, izmaiņas ādas krāsā vai ādas izmaiņas. Ja novērojami kādi no minētajiem simptomiem, apmeklējiet ārstu!
- Lai samazinātu „balto pirkstu slimības” rašanās risku, ekspluatācijas laikā uzturiet rokas siltas un veiciet kārtīgu apkopi aprīkojumam un piederumiem.

EK ATBILSTĪBAS DEKLARĀCIJA

Tikai Eiropas valstīm

EK atbilstības deklarācija ir iekļauta šīs lietošanas pamācības A pielikumā.

TEHNISKIE DATI EX2650LH

Modelis	EX2650LH	
Roktura veids	Cilpas rokturis	
Izmēri: garums x platums x augstums (bez griezējasmens) ar barjeru	mm	975 x 323 x 241
Izmēri: garums x platums x augstums (bez griezējasmens) bez barjeras	mm	975 x 242 x 241
Svars (bez plastmasas aizsargierīces un griezējasmens)	kg	4,6
Tilpums (degvielas tvertne)	l	0,6
Tilpums (eļļas tvertne)	l	0,08
Dzinēja darba tilpums	cm ³	25,4
Maksimālā dzinēja jauda	kw	0,77 pie 7 000 min ⁻¹
Dzinēja ātrums ieteicamajā vārpstas maksimālajā ātrumā	min ⁻¹	10 000
Tukšgaitas ātrums	min ⁻¹	3 000
Sajūga iedarbināšanas ātrums	min ⁻¹	3 900
Karburators	Diafragmas veids	
Aizdedzes sistēma	Bezkontakta, magnēta	
Aizdedzes svece	tips	NGK CMR4A
Elektroda sprauga	mm	0,7 - 0,8
Degviela	Automobiļu benzīns	
Dzinēja eļļa	API kategorijas SF vai augstākas klases, SAE klasifikācijas 10W-30 eļļa (4 taktu dzinēja eļļa automobiļiem)	

Vibrācija

Papildierīce	Labais rokturis (aizmugures rokturis)		Kreisais rokturis (priekšējais rokturis)		Piemērojamie standarti
	a _{h_v eq} (m/s ²)	Nenoteiktība K (m/s ²)	a _{h_v eq} (m/s ²)	Nenoteiktība K (m/s ²)	
EM400MP	6,5	1,2	5,9	1,8	ISO 22867
EM401MP	5,6	2,1	4,8	1,0	ISO 22867
ER400MP	7,1	2,8	5,5	2,7	ISO 22867
EY400MP	9,4	2,0	4,2	2,0	ISO 22867
EY400MP + LE400MP	4,8	2,0	3,4	2,0	ISO 22867
EY401MP	6,5	2,0	3,8	2,0	ISO 22867
EY401MP + LE400MP	5,6	2,0	3,4	2,0	ISO 22867
EN400MP	8,4	1,8	5,0	0,7	ISO 10517
EN400MP + LE400MP	8,0	1,7	4,3	0,7	ISO 10517
KR400MP	5	1,1	4,4	2,3	ISO 22867
EJ400MP	7,1	1,5	4,9	1,5	ISO 22867
EJ400MP + LE400MP	6,4	0,6	4,0	0,7	ISO 22867
EN401MP	8,0	1,7	5,8	1,0	ISO 10517
EN401MP + LE400MP	10,5	1,5	8,0	1,5	ISO 10517
EN410MP	7,4	2,9	4,6	0,9	ISO 10517
EN410MP + LE400MP	10,5	4,1	5,7	2,1	ISO 10517
EN420MP	8,4	1,2	5,7	3,5	ISO 10517
EE400MP	8,6	1,7	3,5	1,6	ISO 22867

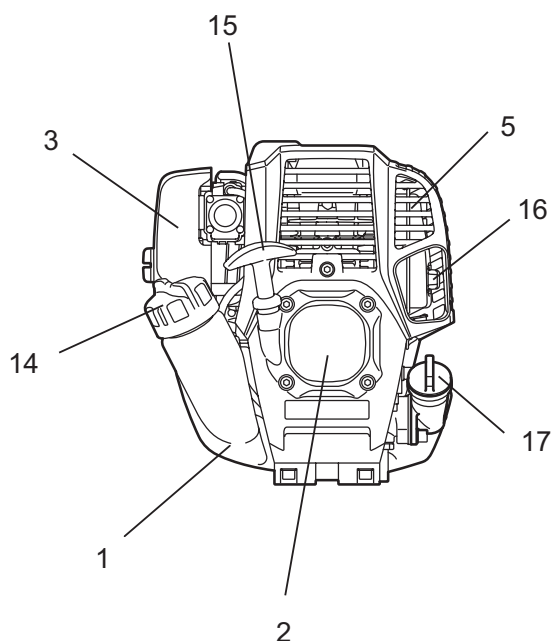
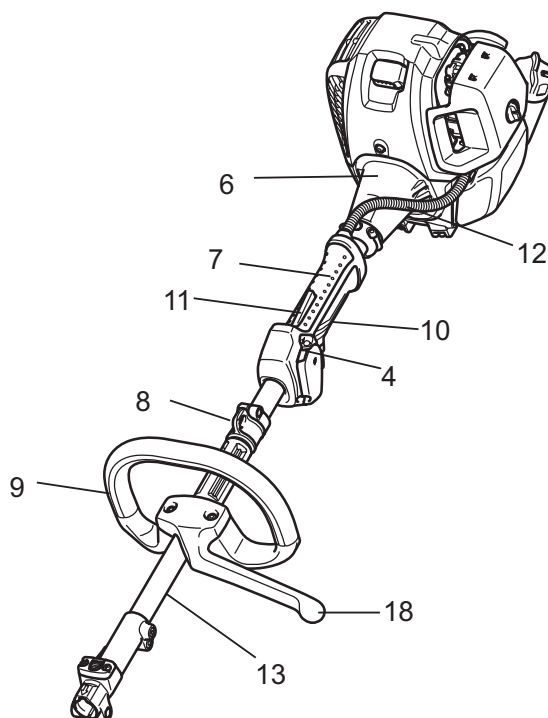
Troksnis

Papildierīce	Vidējais skaņas spiediena līmenis		Vidējais skaņas jaudas līmenis		Piemērojamie standarti
	L _{PA eq} (dB (A))	Nenoteiktība K (dB (A))	L _{WA eq} (dB (A))	Nenoteiktība K (dB (A))	
EM400MP	95,0	4,4	105,5	3,3	ISO 22868
EM401MP	89,9	3,6	99,7	2,7	ISO 22868
ER400MP	97,9	4,2	106,2	4,0	ISO 22868
EY400MP	93,0	2,5	104,5	2,5	ISO 22868
EY400MP + LE400MP	90,3	2,5	107,8	2,5	ISO 22868
EY401MP	92,6	2,5	104,7	2,5	ISO 22868
EY401MP + LE400MP	90,5	2,5	107,9	2,5	ISO 22868
EN400MP	93,1	4,4	102,9	4,8	ISO 10517
EN400MP + LE400MP	87,8	1,9	103,0	2,0	ISO 10517
KR400MP	93,7	2,6	99,7	1,2	ISO 22868
EJ400MP	89,0	2,3	99,8	1,1	ISO 22868
EJ400MP + LE400MP	88,1	2,2	100,8	2,3	ISO 22868
EN401MP	90,7	1,6	102,1	1,7	ISO 10517
EN401MP + LE400MP	89,2	2,9	102,0	1,6	ISO 10517
EN410MP	87,8	0,8	102,3	1,7	ISO 10517
EN410MP + LE400MP	88,7	1,1	102,9	0,9	ISO 10517
EN420MP	88,7	1,0	101,3	0,7	ISO 10517
EE400MP	89,5	2,0	99,7	2,6	ISO 22868

APSTIPRINĀTAS PAPILDIERĪCES

PAPILDIERĪCE	Modelis
Krūmgrieža papildierīce	EM400MP, EM401MP
Zāles trimera papildierīce	ER400MP
Kāta zāģa papildierīce	EY400MP, EY401MP
Dzīvžoga griezēja papildierīce	EN400MP, EN401MP, EN410MP
Krūmu un zāles apgriezēja papildierīce	EN420MP
Kultivatora papildierīce	KR400MP
Kafijas pupiņu savākšanas papildierīce	EJ400MP
Malu apgriezēja papildierīce	EE400MP
Kāta pagarinājuma papildierīce	LE400MP

EX2650LH



LV	DAĻU APZĪMĒJUMI
1	Degvielas tvertne
2	Rokas starteris
3	Gaisa attīrītājs
4	I-O slēdzis (ieslēgšanas/izslēgšanas)
5	Izplūdes klusinātājs
6	Sajūga korpuss
7	Aizmugures rokturis
8	Cilpa
9	Rokturis
10	Droseļvārsta svira
11	Atbloķēšanas svira
12	Vadības vads
13	Vārpsta
14	Degvielas ielietnes vāciņš
15	Iedarbināšanas klotis
16	Izplūdes caurule
17	Eļļas vāciņš
18	Barjera*

Piezīme: Dažās valstīs darbarīka komplektā nav iekļauta barjera.

ROKTURA PIESTIPRINĀŠANA

UZMANĪBU: Pirms veiciet jebkādu darbu daudzfunkciju instrumentgalvai vienmēr izslēdziet dzinēju un no aizdedzes sveces izvelciet aizdedzes sveces savienotāju.
Vienmēr valkājiet aizsargcimdus!

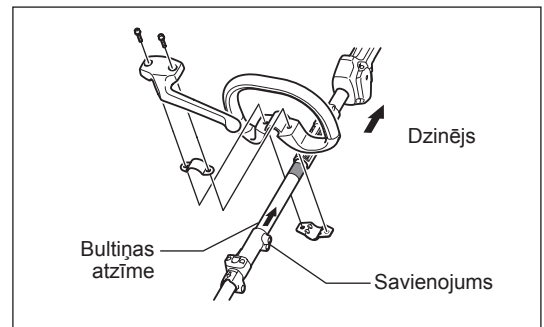
UZMANĪBU: Daudzfunkciju instrumentgalvu iedarbiniet tikai tad, kad montāža ir pilnībā pabeigta.

Cilpas roktura montāža

- Pie vārpstas caurules ar divām skrūvēm un skavām piestipriniet barjeru un rokturi. Šajā gadījumā novietojiet barjeru aparāta kreisajā pusē, kā attēlots.
- Pārbaudiet, vai rokturis/barjera atrodas starp atstarpinātāju un bultiņas atzīmi. Nenoņemiet un nesaīsiniet atstarpinātāju.
- Nenoņemiet barjeru pēc tās uzstādīšanas.

UZMANĪBU: Nekad neuzstādi rokturi uz uzlīmes vai savienojuma.

Piezīme: Dažās valstīs darbarīka komplektā nav iekļauta barjera un bultiņas atzīme.



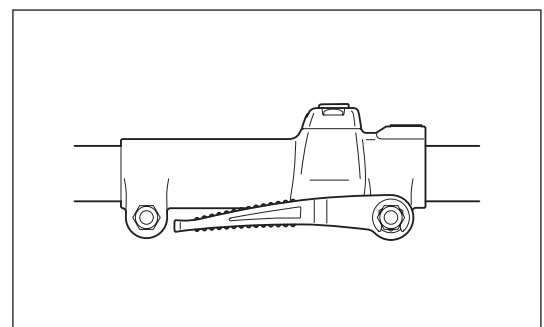
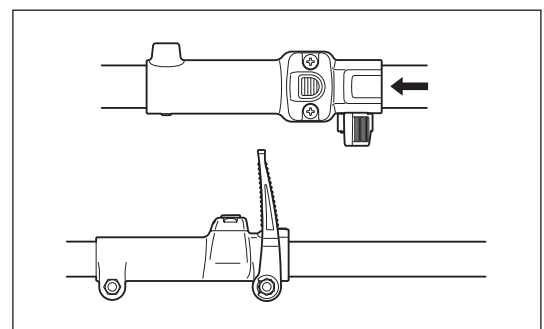
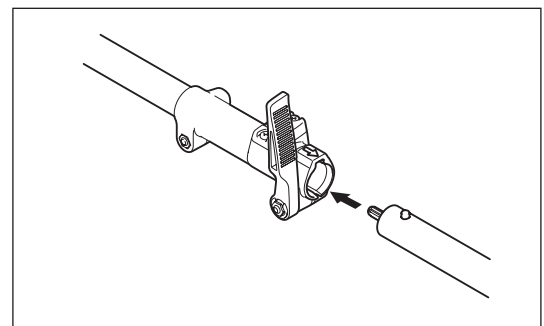
PAPILDIERĪCES PIESTIPRINĀŠANA

UZMANĪBU: Pirms veiciet jebkādu darbu daudzfunkciju instrumentgalvai vienmēr izslēdziet dzinēju un no aizdedzes sveces izvelciet aizdedzes sveces savienotāju.
Vienmēr valkājiet aizsargcimdus!

UZMANĪBU: Daudzfunkciju instrumentgalvu iedarbiniet tikai tad, kad montāža ir pilnībā pabeigta.

Montāža

- Attaidiet sviru.
- Savietojiet papildierīces tapu ar savienojuma rievu un ievietojiet tapu.
- Ievietojiet papildierīci līdz stāvoklim, kas norādīts ar bultiņu. Pārbaudiet, vai poga ir pacelta.
- Nostipriniet sviru.
(Uzziņai skatiet attēlu labajā pusē.)

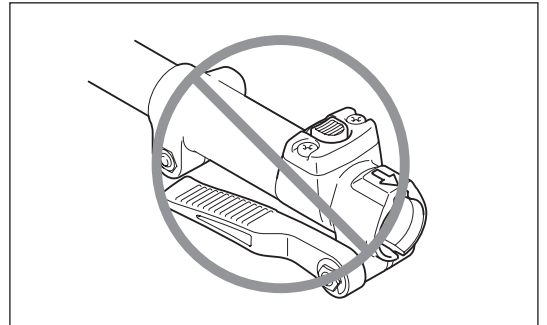
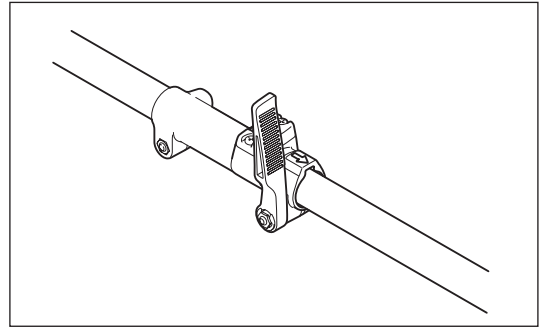


IZJAUKŠANA

- Atlaidiet sviru.
- Nospiediet pogu un izņemiet papildierīci.
(Centieties izvilkēt papildierīci pēc iespējas taisnāk.)

Piezīme:

- Kad papildierīce nav piestiprināta, neatstājiet sviru nostiprinātā stāvoklī.



PIRMS EKSPLOATĀCIJAS UZSĀKŠANAS

Dzinēja eļļas pārbaude un uzpildīšana

- Pēc dzinēja atdzišanas veiciet tālāk minēto procedūru.
- Turot dzinēju taisni, izņemiet eļļas vāciņu (1. att.) un pārbaudiet, vai starp eļļas caurules augšējo un apakšējo robežatzīmi ir eļļa (2. att.).
- Ja eļļas līmenis ir nepietiekams (tas ir tuvu apakšējai robežatzīmei), piepildiet eļļu līdz augšējai robežatzīmei (3. att.).
- Laukums ap ārējām atzīmēm ir caurspīdīgs, tādēļ eļļas daudzumu iekšpusē var pārbaudīt, nenotņemot eļļas vāciņu. Tomēr, ja eļļas caurule kļūst ļoti netīra, redzamība pazūd, un eļļas līmenis jāpārbauda pēc iedalījuma posma eļļas caurules iekšpusē.
- Informācijai – eļļas uzpildes laiks ir apmēram pēc 10 h (pēc katrām 10 tvertnes uzpildēm).
Ja eļļa maina krāsu vai sajaucas ar netīrumiem, tās vietā ielejiet jaunu. (Uzpildes intervālus un metodi skatiet 96. lpp.)

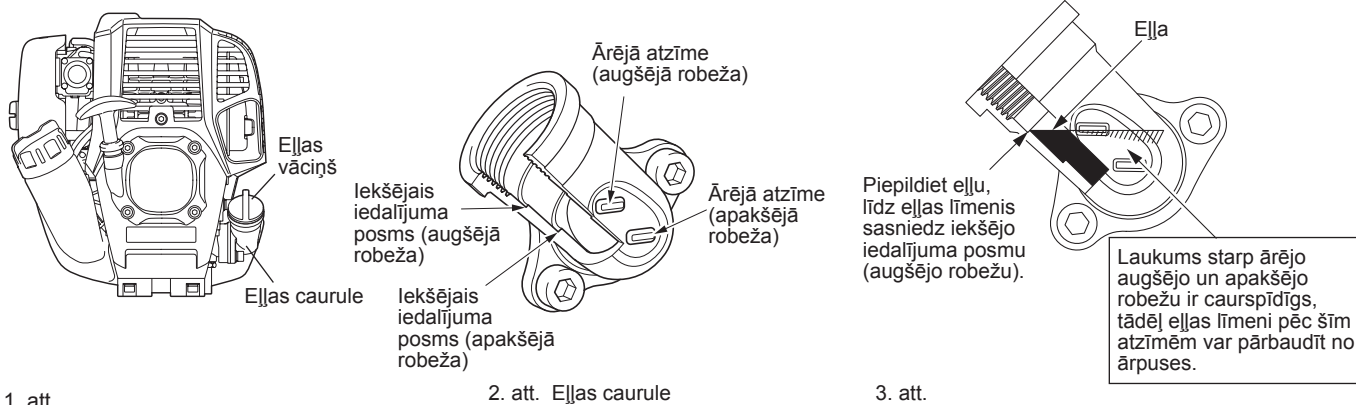
Ieteicamā eļļa: API klasifikācijas SAE 10W-30 eļļa – SF klase vai augstāka (4 taktu dzinēja eļļa automobiļiem)

Eļļas tilpums: apm. 0,08 l

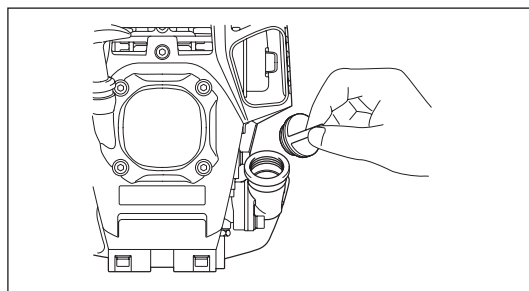
Piezīme: Ja dzinēju neturēsiet augšupvērstā virzienā, eļļa var ieplūst dzinējā, tādējādi uzpildīsiet pārāk daudz eļļas.
Ja eļļa ir uzpildīta vairāk par noteikto robežatzīmi, tā var piesārņoties vai saskarties ar dzirkstelēm.

1. Punkts attiecībā uz eļļas nomaiņu: eļļas vāciņš

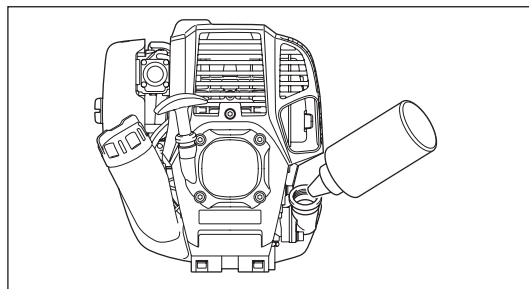
- Notīriet putekļus vai netīrumus apkārt eļļas uzpildīšanas atverei un izņemiet eļļas vāciņu.
- Neļaujiet izņemtajam eļļas vāciņam aplīpt ar smiltīm vai putekļiem. Pretējā gadījumā pie eļļas vāciņa pielipušās smiltis vai putekļi izraisīs nevienmērīgu eļļas cirkulāciju vai dzinēja detaļu nodilšanu, kas izraisīs problēmas.



- 1) Turiet dzinēju taisni un izņemiet eļļas vāciņu.



- 2) Piepildiet eļļu līdz augšējai robežatzīmei. (Skatiet 3. att.)
Piepildot izmantojiet eļļas pudeli.



- 3) Eļļas vāciņu cieši pieskrūvējiet. Ja nepieskrūvēsiet to pietiekami cieši, var rasties eļļas noplūde.

Piezīme

- Nomainiet eļļu, ja dzinējs ir slīpā stāvoklī.
- Ja uzpilda eļļu, kad dzinējs ir slīpā stāvoklī, eļļu uzpildīsiet par daudz, kas radīs eļļas piesārņojumu un/vai baltus dūmus.

2. Punkts attiecībā uz eļļas nomaiņu: ja eļļa izšķīstās

- Ja eļļa izšķīstās starp degvielas tvertni un dzinēja galveno mehānismu, eļļu iesūc iekšpusē caur dzesēšanas gaisa ieplūdes atveri, kas piesārņo dzinēju. Pirms ekspluatācijas obligāti notīriet visus eļļas traipus.

UZPILDĪŠANA

Rīkošanās ar degvielu

Rīkojieties ar degvielu ar vislielāko rūpību. Degvielās var būt šķīdinātājiem līdzīgas vielas. Uzpildiet degvielu labi vēdinātā telpā vai ārpus telpām. Neieelpojiet degvielas garaiņus un turiet degvielu atstatu no sevis. Ja āda atkārtoti vai ilgstoši saskaras ar degvielu, tā kļūst sausa, kas var izraisīt ādas slimību vai alerģiju. Ja degviela iekļūst acīs, izskalojiet acis ar tīru ūdeni. Ja acis joprojām ir kairinātas, dodieties pie ārsta.

Degvielas glabāšanas ilgums

Degviela jāizlieto 4 nedēļu laikā pat tad, ja to uzglabā īpaši tai paredzētā tvertnē labi vēdinātā, tumšā vietā. Ja neizmantojat īpašu tvertni vai ja tvertne nav cieši aizvērta, degviela var piesārņoties vienas dienas laikā.

APARĀTA UN UZPILDĪŠANAS TVERTNES GLABĀŠANA

- Glabājiet aparātu un tvertni vēsā vietā, kur nav tiešas saules gaismas.
- Nekad neglabājiet degvielu transportlīdzekļa salonā vai bagāžniekā.

Degviela

Šis ir 4 taktu dzinējs. Obligāti lietojiet automobiļu benzīnu (standarta vai augstākās kvalitātes benzīnu).

Norādījumi par degvielu

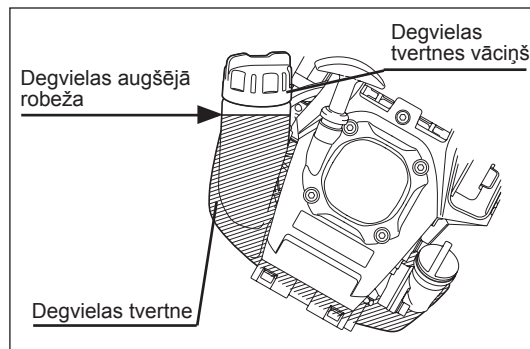
- Nekad neizmantojiet tādu benzīna maisījumu, kura sastāvā ir dzinēja eļļa. Pretējā gadījumā uzkrāsies pārāk daudz oglekļa vai radīsies mehāniski defekti.
- Ja izmantosit sabojājušos eļļu, ierīces iedarbināšana nebūs vienmērīga.

Uzpildīšana

BRĪDINĀJUMS: VIEGLI UZLIESMOJOŠI PRIEKŠMETI STINGRI AIZLIEGTI

Izmantotais benzīns: automobiļu benzīns (bezsvina benzīns)

- Mazliet atskrūvējiet tvertnes vāciņu, lai izlīdzinātu atmosfēras spiedienu.
 - Noskrūvējiet tvertnes vāciņu un uzpildiet degvielu, noliecot degvielas tvertni nedaudz slīpi, lai izspiestu gaisu, kā rezultātā uzpildīšanas atvere būs vērsta augšup. (Nekad neuzpildiet degvielu līdz eļļas uzpildīšanas atverei.)
 - Kārtīgi noslaukiet laukumu ap tvertnes vāciņu, lai neļautu svešķermeņiem iekļūt degvielas tvertnē.
 - Pēc uzpildīšanas cieši pieskrūvējiet degvielas tvertnes vāciņu.
- Ja tvertnes vāciņš ir deformēts vai bojāts, nomainiet to.
 - Tvertnes vāciņš nolietojas, tāpēc tas jānomaina ik pēc diviem vai trim gadiem.



APARĀTA PAREIZA IZMANTOŠANA

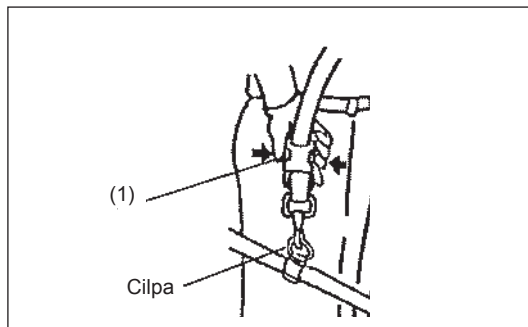
Pleca siksnas piestiprināšana

- Noregulējiet siksnu ekspluatācijai piemērotā garumā.

Atvienošana

- Ārkārtas gadījumā nospiediet ierobus (1) abās pusēs, un aparāts atvienosies no jums. Šādā situācijā esiet īpaši uzmanīgi, lai saglabātu aparāta kontroli. Neļaujiet aparātam mainīt virzienu uz jūsu pusi vai pret citām personām darba vietas tuvumā.

BRĪDINĀJUMS: Ja nesaglabāsiet aparāta pilnīgu kontroli, tas var izraisīt nopietnus savainojumus vai NĀVI.



NORĀDĪJUMI PAR EKSPLUATĀCIJU UN APTURĒŠANA

Ievērojiet spēkā esošos negadījumu novēršanas noteikumus!

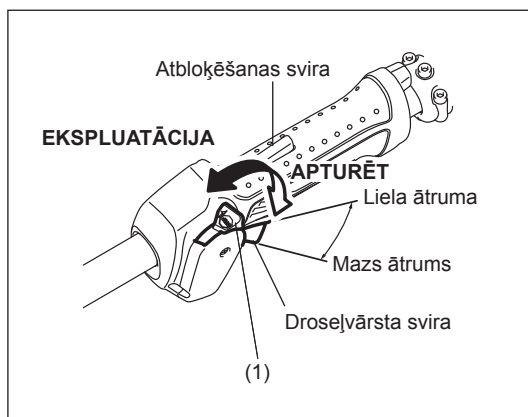


IEDARBINĀŠANA

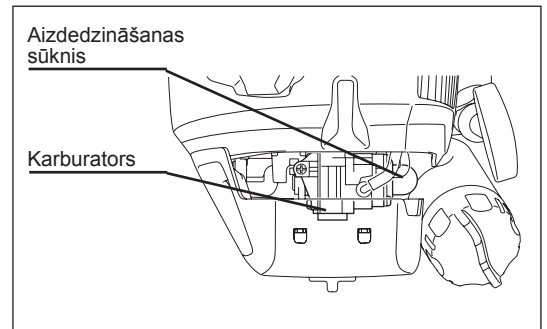
Pirms iedarbināšanas paejiet vismaz 3 metrus prom no uzpildīšanas vietas. Novietojiet daudzfunkciju instrumentgalvu uz zemes tīrā vietā, uzmanoties, lai papildierīce nesaskaras ar zemi vai citiem priekšmetiem.

A: auksta dzinēja iedarbināšana

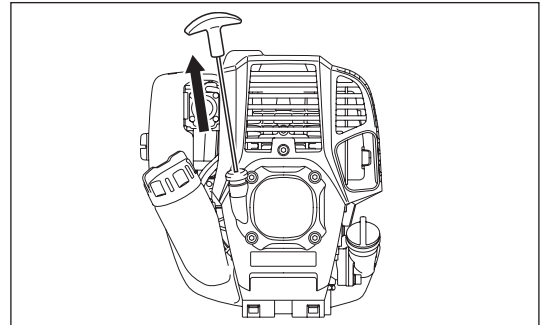
- 1) Novietojiet aparātu uz līdzenas virsmas.
- 2) I-O slēdzi (1) novietojiet stāvoklī „EKSPLUATĀCIJA”.



- 3) Aizdedzināšanas sūknis
Turpiniet spiest aizdedzināšanas sūkni, kamēr tajā nokļūst degviela.
(Degviela parasti nokļūst aizdedzināšanas sūknī, spiežot 7–10 reizes.)
Ja aizdedzināšanas sūkni nospiedīsiet par daudz, liekais benzīna daudzums atgriezīsies degvielas tvertnē.



- 4) Rokas starteris
Viegli velciet iedarbināšanas kloķi, līdz to ir grūti vilkt (saspiešanas sākuma brīdis). Pēc tam atlaidiet iedarbināšanas kloķi un to spēcīgi pavelciet. Nekad neraujiet trosi līdz galam. Pēc kloķa paraušanas uzreiz neatlaidiet savu roku. Turiet iedarbināšanas kloķi tik ilgi, kamēr tas atgriežas sākotnējā stāvoklī.
- 5) Uzsildīšanas darbība
Turpiniet veikt uzsildīšanas darbību 2–3 minūtes.



Piezīme: Ja iesūknēts pārāk liels degvielas daudzums, izņemiet aizdedzes sveci un lēnām pavelciet iedarbināšanas rokturi, lai aiztecinātu lieko degvielas daudzumu. Kā arī nožāvējiet aizdedzes sveces elektroda posmu.

Brīdinājums par ekspluatāciju:

Ja droseļvārsta svira ir pilnībā atvērta, aparātam darbojoties bez noslodzes, dzinēja apgriezieni palielinās līdz 10 000 min⁻¹ vai vairāk. Nekad nedarbiniet dzinēju lielākā ātrumā nekā nepieciešams un darbiniet vidējā ātrumā — 6 000–8 500 min⁻¹.

B: iedarbināšana pēc uzsildīšanas darbības

- 1) Vairākas reizes nospiediet aizdedzināšanas sūkni.
- 2) Atstājiet droseļvārsta sviru tukšgaitas stāvoklī.
- 3) Spēcīgi pavelciet rokas starteri.
- 4) Ja dzinēju ir grūti iedarbināt, atveriet droseļvārstu par apmēram 1/3. Pievērsiet uzmanību papildierīcei, kas var sākt griezties.

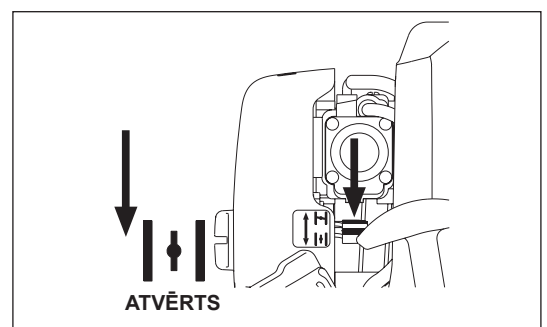
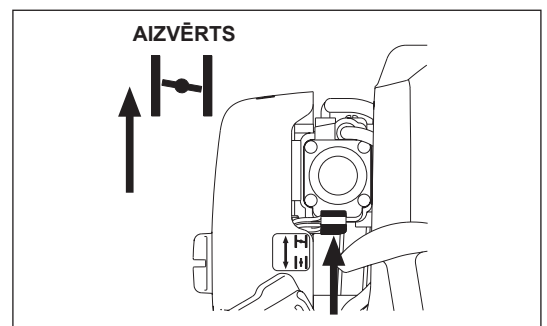
Gadījumos, kad dzinēju ir grūti iedarbināt, piemēram, ziemā

Iedarbinot dzinēju, veiciet turpmākās darbības ar jaudas sviru.

- Pēc iedarbināšanas darbību no 1) līdz 3) pabeigšanas iestatiet jaudas sviru stāvoklī AIZVĒRTS.
- Veiciet iedarbināšanas darbību 4) un iedarbiniet dzinēju.
- Kad dzinējs sāk darboties, iestatiet jaudas sviru stāvoklī ATVĒRTS.
- Veiciet iedarbināšanas darbību 5) un pabeidziet uzsildīšanu.

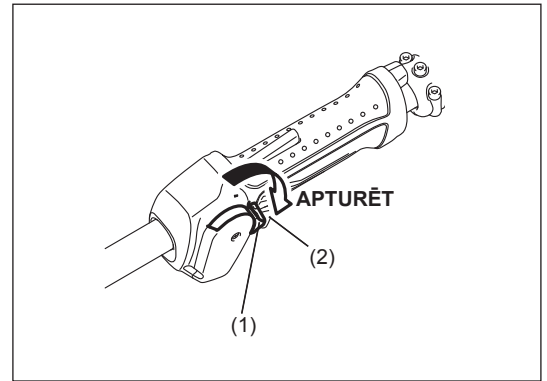
UZMANĪBU: Ja dzirdama sprādziena skaņa, un dzinējs apstājas, vai tikko kā iedarbināts dzinējs apstājas pirms jaudas sviras izmantošanas, novietojiet jaudas sviru atpakaļ stāvoklī ATVĒRTS un vēlreiz vairākas reizes pavelciet iedarbināšanas kloķi, lai iedarbinātu dzinēju.

UZMANĪBU: Ja jaudas svira ir atstāta stāvoklī AIZVĒRTS, un atkārtoti tiks parauts tikai iedarbināšanas kloķis, iepildīs pārāk daudz degvielas un dzinēju būs grūti iedarbināt.



APTURĒŠANA

- 1) Pilnībā atlaidiet droseljvārsta sviru (2), un pēc dzinēja apgriezienu samazināšanās, I-O slēdzi novietojiet stāvoklī APTURĒT – dzinējs apstāsies.
- 2) Ņemiet vērā, ka papildierīce var neapstāties uzreiz, tādēļ ļaujiet tai pilnībā apstāties.

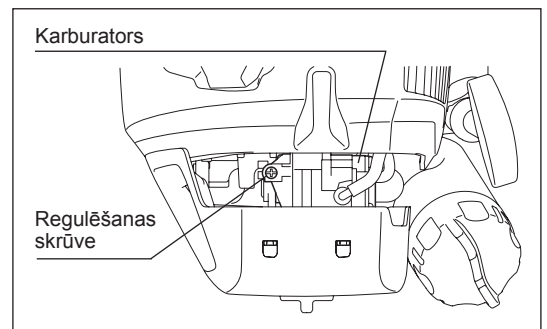


MAZU APGRIEZIENU ROTĀCIJAS REGULĒŠANA (TUKŠGAITA)

Ja nepieciešams regulēt mazu apgriezienu rotācijas ātrumu (tukšgaita), veiciet to ar karburatora regulēšanas skrūvi.

MAZU APGRIEZIENU ROTĀCIJAS PĀRBAUDE

- Iestatiet mazu apgriezienu rotāciju uz 3 000 min⁻¹.
Ja nepieciešams mainīt rotācijas ātrumu, ar Phillips skrūvgriezi pagrieziet regulēšanas skrūvi (attēlota labajā pusē).
- Pagrieziet regulēšanas skrūvi pa labi – dzinēja rotācijas ātrums palielināsies. Pagrieziet regulēšanas skrūvi pa kreisi – dzinēja rotācijas ātrums samazināsies.
- Karburators pirms nosūtīšanas no rūpnīcas parasti ir noregulēts. Ja to nepieciešams pārregulēt, lūdzu, sazinieties ar pilnvarotu servisa pārstāvi.



APKOPES NORĀDĪJUMI

UZMANĪBU: Pirms veiciet jebkādu darbu daudzfunkciju instrumentgalvai vienmēr izslēdziet dzinēju un no aizdedzes sveces noņemiet aizdedzes sveces vāciņu (sk. „Aizdedzes sveces pārbaude”).

Vienmēr valkājiet aizsargcimdus!

Nekad neizmantojiet gazolīnu, benzīnu, atšķaidītāju, spirtu vai līdzīgus šķīdumus. Tas var radīt izbalēšanu, deformāciju vai plaisas.

Lai ekspluatācijas laiks būtu ilgs un lai nesabojātu aparātu, regulāri jāveic šādas tehniskās apkopes darbības.

Ikdienas pārbaude un tehniskā apkope

- Pirms ekspluatācijas pārbaudiet, vai aparātam nav vaļīgu skrūvju un vai netrūkst kādas daļas. Pievērsiet īpašu uzmanību, lai norādīto papildierīci cieši piestiprinātu vietā.
- Pirms ekspluatācijas vienmēr pārbaudiet, vai nav aizsprostoti dzesēšanas gaisa plūsmas ceļi un cilindra ribas. Ja nepieciešams, iztīriet šīs detaļas.
- Katru dienu pēc darbarīka lietošanas veiciet šādas darbības:
 - Notīriet daudzfunkciju instrumentgalvas ārpusi un pārbaudiet, vai nav bojājumu.
 - Iztīriet gaisa filtru. Ja strādājat sevišķi putekļainos apstākļos, filtru tīriet vairākas reizes dienā.
 - Pārbaudiet vai starp tukšgaitas ātrumu un iedarbināšanas ātrumu pastāv ievērojama atšķirība, lai nodrošinātu, ka papildierīce ir nekustīga dzinēja tukšgaitas ātrumā (ja nepieciešams, samaziniet tukšgaitas ātrumu). Ja tukšgaitas ātrumā aparāts joprojām darbojas, sazinieties ar tuvāko pilnvaroto servisa pārstāvi.
- Pārbaudiet I-O slēdža, atbloķēšanas sviras un vadības roktura darbību.

DZINĒJA EĻĻAS NOMAĪŅA

Sabojājusies dzinēja eļļa ļoti ievērojami samazinās slīdošo un rotējošo daļu kalpošanas laiku. Obligāti pārbaudiet eļļas nomainīšanas periodu un daudzumu.



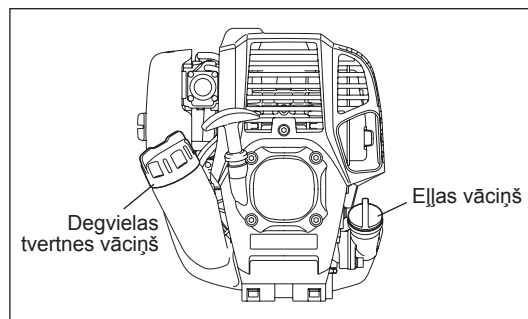
UZMANĪBU: Parasti uzreiz pēc dzinēja apturēšanas dzinēja galvenais mehānisms un dzinēja eļļa ir karsta. Nomainot eļļu, pārbaudiet, vai dzinēja galvenais mehānisms un dzinēja eļļa ir pietiekami atdzisusi. Pretējā gadījumā pastāv apdegumu risks.

Piezīme: Ja eļļa ir uzpildīta vairāk par noteikto robežatzīmi, tā var piesārņoties vai saskarties ar dzirkstelēm.

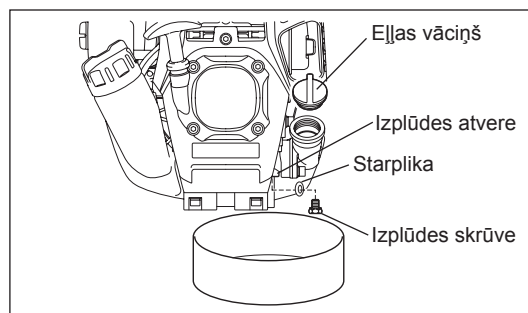
Nomainīšanas intervāls: Sākumā ik pēc 20 ekspluatācijas stundām, pēc tam ik pēc 50 ekspluatācijas stundām
Ieteicamā eļļa: API klasifikācijas SAE 10W-30 eļļa – SF klase vai augstāka (4 taktu dzinēja eļļa automobiļiem)

Nomainot eļļu, veiciet šādu procedūru.

- 1) Pārbaudiet, vai degvielas tvertnes vāciņš ir cieši piestiprināts.
- 2) Zem izplūdes atveres novietojiet lielu trauku (katlu vai citu).

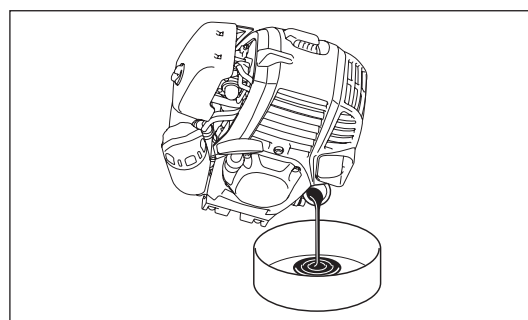


- 3) Izskrūvējiet izplūdes skrūvi un izņemiet eļļas vāciņu, lai no izplūdes atveres iztecinātu eļļu. Šajā posmā uzmanieties, lai neievietotu nepareizi skrūves starpliku un nenosmērētu izņemtās sastāvdaļas.
- 4) Pēc eļļas iztecināšanas ievietojiet atpakaļ starpliku un izplūdes skrūvi un cieši pieskrūvējiet izplūdes skrūvi, lai tā neatskrūvētos un neizraisītu noplūdi.
* Izmantojiet lupatiņu, lai pilnībā noslaucītu uz skrūves un ierīces nonākušo eļļu.

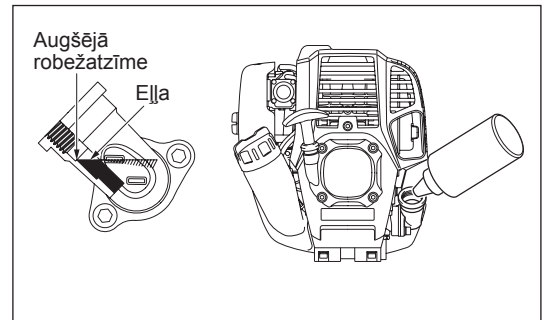
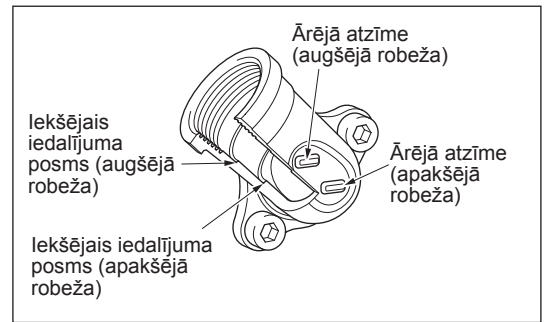


Alternatīva iztecināšanas metode

Izņemiet eļļas vāciņu, nolieciet daudzfunkciju instrumentgalvu pret eļļas ielietnes atveri un izlejiet eļļu. Izteciniet eļļu tvertnē.



- 5) Turot dzinēju taisni, pakāpeniski piepildiet jaunu eļļu līdz augšējai robežatīmei.
- 6) Pēc piepildīšanas cieši piestipriniet eļļas vāciņu, lai tas neatskrūvētos un neizraisītu noplūdi. Ja eļļas vāciņš nav cieši pieskrūvēts, no tā var būt noplūde.



NORĀDĪJUMI ATTIECĪBĀ UZ EĻĻU

- Nekad neizlejiet izlietotu dzinēja eļļu atkritumos, zemē vai notekūdeņu grāvī. Atbrīvošanās no eļļas regulē tiesību akti. Atbrīvojoties no tās, vienmēr ievērojiet attiecīgos normatīvos aktus. Ja jums rodas neskaidrības, sazinieties ar pilnvarotu servisa pārstāvi.
- Eļļa sabojājas pat tad, ja to neizmanto. Regulāri pārbaudiet eļļu un nomainiet to (nomainiet ar jaunu eļļu ik pēc 6 mēnešiem).

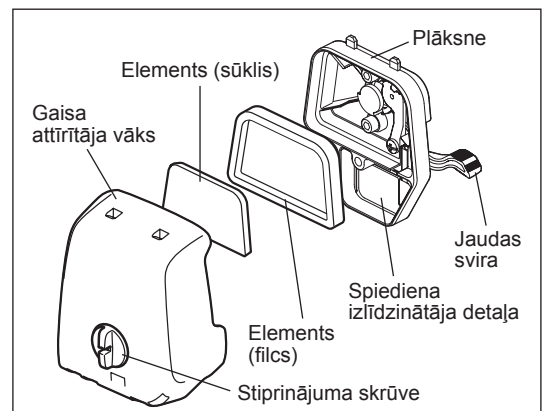
GAISA ATTĪRĪTĀJA TĪRĪŠANA



BĪSTAMI: VIEGLI UZLIESMOJOŠI PRIEKŠMETI STINGRI AIZLIEGTI

Tīrīšanas un pārbaudes intervāls: katru dienu (ik pēc 10 ekspluatācijas stundām)

- Pilnībā aizveriet jaudas sviru, to pagriežot, un nenotīriet karburatoru ar putekļiem vai netīrumiem.
- Atskrūvējiet stiprinājuma skrūvi.
- Noņemiet gaisa attīrītāja vāku, pavelkot tā apakšdaļu.
- Izņemiet elementus un uzsietiet pa tiem, lai noņemtu netīrumus.
- Ja elementi ir ļoti netīri:
Noņemiet elementus, izmērcējiet tos siltā ūdenī vai arī ūdenī šķīstošā neitrālā mazgāšanas līdzeklī, tad tos pilnībā izžāvējiet. Mazgāšanas laikā tos nespiediet un neberziet.
- Pirms elementu pievienošanas atpakaļ pārbaudiet, vai tie ir pilnībā izžuviši. Ja tos pilnībā neizžāvēsiet, dzinēju būs grūti iedarbināt.
- Ar lupatiņu notīriet eļļu visapkārt gaisa attīrītāja vākam un plāksnes spiediena izlīdzinātāja detaļai.
- Ievietojiet elementu (sūkli) elementā (filcā). Ievietojiet elementus plāksnē tā, lai sūklis atrodas pret gaisa attīrītāja vāku.
- Nekavējoties piestipriniet attīrītāja vāku un to pieskrūvējiet ar stiprinājuma skrūvēm. (Montējot sākumā piestipriniet augšējo skavu, pēc tam – apakšējo.)



PIEZĪME:

- Tīriet elementus vairākas reizes dienā, ja uz tiem atrodas pārāk daudz putekļu. Netīri elementi samazina dzinēja jaudu un apgrūtina dzinēja iedarbināšanu.
- Notīriet eļļu no elementiem. Ja turpināsiet ierīci lietot, nenotīrot eļļu no elementiem, tad eļļa, kas atrodas gaisa attīrītājā, var iztecēt ārā un piesārņot apkārtējo vidi.
- Nenovietojiet elementus uz zemes vai netīrā vietā. Citādi tiem var pieķerties netīrumi vai putekļi, un tas var sabojāt dzinēju.
- Elementu tīrīšanai nekad neizmantojiet degvielu. Degviela tos var sabojāt.

AIZDEDZES SVECES PĀRBAUDE

- Izmantojiet komplektācijā atrodamo universālo uzgriežņatslēgu, lai noņemtu vai ieliktu aizdedzes sveci.
- Attālums starp diviem aizdedzes sveces elektrodiem jābūt 0,7–0,8 mm (0,028–0,032"). Ja attālums ir pārāk liels vai pārāk mazs, noregulējiet to. Ja aizdedzes svece ir aizsērējusi vai piesārņota, pilnībā to iztīriet vai nomainiet pret jaunu.

UZMANĪBU: Nekad nepieskarieties aizdedzes sveces savienotājam, kamēr dzinējs darbojas (augstsprieguma elektriskās strāvas triecienu bīstamība).

DEGVIELAS FILTRA TĪRĪŠANA BRĪDINĀJUMS: VIEGLI UZLIESMOJOŠI PRIEKŠMETI STINGRI AIZLIEGTI

Tīrīšanas un pārbaudes intervāls: katru mēnesi (ik pēc 50 ekspluatācijas stundām)

Iesūkšanas galva degvielas tvertnē

Regulāri pārbaudiet degvielas filtru. Lai pārbaudītu degvielas filtru, izpildiet šeit norādītās darbības.

- (1) Noņemiet degvielas tvertnes vāciņu, izteciniet degvielu, lai iztukšotu tvertni. Pārbaudiet, vai tvertnē neatrodas svešķermeņi. Ja tādi ir, izņemiet.
- (2) Izmantojot stieples cilpu, izvelciet iesūkšanas galvu no tvertnes atvērums.
- (3) Ja degvielas filtrs ir nedaudz aizsērējis, iztīriet to. Lai iztīrītu, to viegli sakratiet un iegremdējiet degvielā. Lai nepieļautu bojājumus, to nespiediet un neberziet. Tīrīšanai izmantotā degviela ir jālikvidē saskaņā ar valsts noteikumos norādīto metodi. Ja degvielas filtrs ir sacietējis vai stipri aizsērējis, nomainiet to.
- (4) Pēc degvielas filtra pārbaudes, tīrīšanas vai nomaņas pilnībā iestumiet degvielas filtru līdz degvielas tvertnes apakšai.

Aizsērējis vai bojāts degvielas filtrs var izraisīt nepietiekamu degvielas padevi un samazināt dzinēja jaudu. Nomainiet degvielas filtru vismaz reizi ceturksnī, lai nodrošinātu pietiekamu degvielas padevi karburatoram.

DEGVIELAS CAURULES NOMAIŅA UZMANĪBU: VIEGLI UZLIESMOJOŠI PRIEKŠMETI STINGRI AIZLIEGTI

Tīrīšanas un pārbaudes intervāls: katru dienu (ik pēc 10 ekspluatācijas stundām)

Nomaņa: katru gadu (ik pēc 200 ekspluatācijas stundām)

Degvielas cauruli nomainiet katru gadu neatkarīgi no ekspluatācijas biežuma. Degvielas noplūde var izraisīt ugunsgrēku.

Ja pārbaudes laikā atklājat noplūdi, degvielas cauruli nekavējoties nomainiet.

BULTSKRŪVJU, UZGRIEŽŅU UN SKRŪVJU PĀRBAUDE

- Pieskrūvējiet vajīgās skrūves, uzgriežņus, u. c.
- Pārbaudiet, vai nav degvielas un eļļas noplūdes.
- Nomainiet bojātās detaļas ar jaunām, lai neapdraudētu drošu ekspluatāciju.

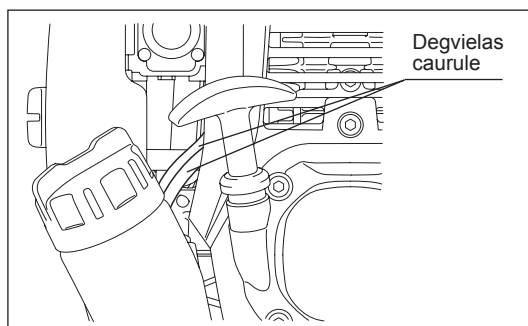
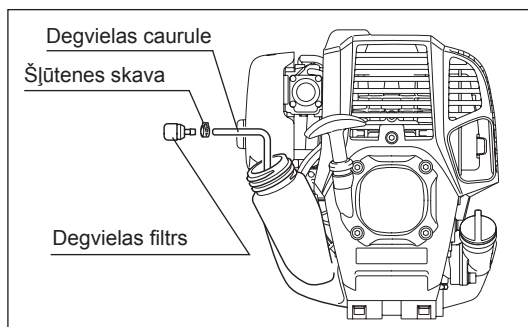
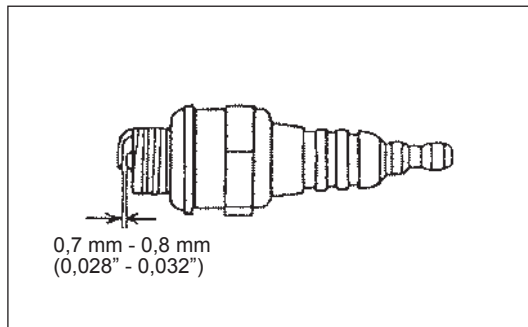
DAĻU TĪRĪŠANA

- Rūpējieties, lai dzinējs vienmēr būtu tīrs.
- Cilindra ribām vienmēr notīriet putekļus vai netīrumus. Pie ribām pielipušie putekļi vai netīrumi izraisīs virzuļu iestrēgšanu.

PAPLĀKŠŅU UN STARPLIKU NOMAINĪŠANA

Samontējot dzinēju, kad tas bijis izjaukts, obligāti nomainiet visas paplāksnes un starplikas ar jaunām.

Visus tehniskās apkopes vai regulēšanas darbus, kas nav ietverti un aprakstīti šajā lietošanas instrukcijā, jāveic tikai pilnvarotam servisa pārstāvjiem.



UZGLABĀŠANA

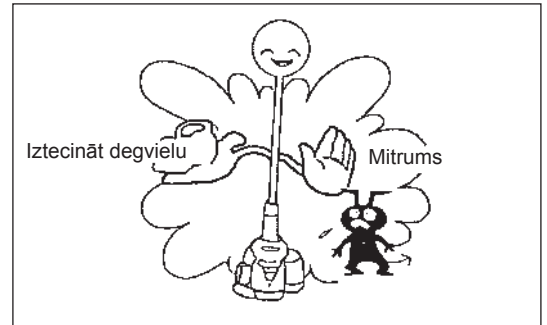


BRĪDINĀJUMS: Ja vēlaties iztecināt degvielu, noteikti apturiet dzinēju un pēc tam pārbaudiet, vai tas ir atdzisis.
Dzinējs uzreiz pēc apturēšanas joprojām ir karsts, radot apdegumu, uzliesmošanas un ugunsgrēka risku.



UZMANĪBU: Ja aparātu uzglabā ilgāku laiku, to nelietojot, no degvielas tvertnes un karburatora izteciniet visu degvielu, pēc tam glabājiet to sausā un tīrā vietā.

- Izteciniet degvielu no degvielas tvertnes un karburatora, ievērojot šādu procedūru:
 - 1) noskrūvējiet degvielas tvertnes vāciņu un pilnībā izteciniet degvielu. Ja degvielas tvertnē palicis kāds svešķermenis, iztīriet to;
 - 2) izmantojot stiepli, izvelciet degvielas filtru no uzpildīšanas atveres;
 - 3) spiediet aizdedzināšanas sūkni, kamēr degviela no turienes ir izsūknēta un izteciniet degvielu no degvielas tvertnes;
 - 4) ielieciet filtru atpakaļ degvielas tvertnē un cieši pieskrūvējiet degvielas tvertnes vāciņu;
 - 5) pēc tam turpiniet darbināt dzinēju, kamēr tas apstājas.
- Izņemiet aizdedzes sveci un sveces spraugā iepiliniet dažus dzinēja eļļas pilienus.
- Viegli velciet iedarbināšanas rokturi tā, lai dzinēja eļļa ieelļo visu dzinēju, pēc tam ievietojiet atpakaļ aizdedzes sveci.
- Ja papildierīce nav piestiprināta, novietojiet sviru bloķētā stāvoklī. Ja svira atrodas bloķētā stāvoklī, kad papildierīce nav piestiprināta, nav iespējams piestiprināt papildierīces vārpstu.
- Aparātu ieteicams uzglabāt horizontāli. Ja tas nav iespējams, novietojiet aparātu tā, lai motors atrodas zem griezējinstrumenta. Citādi var izlīt dzinēja eļļa.
- Aparātu vienmēr uzglabājiet drošā vietā, lai nepieļautu aparāta bojājumus un ievainojumus.
- Iztecināto degvielu uzglabājiet īpaši tai paredzētā tvertnē labi vēdinātā un tumšā vietā.



Pievērsiet uzmanību pēc ilgas glabāšanas

- Ja iedarbināt dzinēju pēc ilga dīkstāves laika, noteikti nomainiet eļļu (sk. 96. lpp.). Eļļa piesārņojas, ja aparātu nedarbina.

Bojājuma atrašanās vieta

Bojājums	Sistēma	Pazīmes	Cēlonis
Dzinējs nesāk darboties vai sāk darboties ar grūtībām	Aizdedzes sistēma	Aizdedzes svece nav bojāta Nav aizdedzes sveces	Bojājums degvielas sistēmā vai kompresijas sistēmā, mehānisks bojājums Slēdzis APTURĒT ieslēgts, bojāti vadi vai īsslēgums, bojāta aizdedzes svece vai tās savienotājs, bojāts aizdedzes modulis
	Degvielas padeve	Degvielas tvertne uzpildīta	Nepareiza jaudas vārsta pozīcija, bojāts karburators, degvielas padeves līnija saliekta vai nobloķēta, netīra degviela
	Kompresija	Nav kompresijas pavelkot	Bojāta cilindra apakšējā starplika, bojātas kloķvārpstas blīves, bojāts cilindrs vai virzuļa gredzeni, vai arī nepareizas aizdedzes sveces blīves
	Mehānisks bojājums	Starteris nesāk darboties	Salauzta startera atspere, bojātas detaļas dzinēja iekšpusē
Silta dzinēja iedarbināšanas problēmas		Degvielas tvertne uzpildīta, aizdedzes svece uzstādīta	Piesārņots karburators – iztīriet to
Dzinējs sāk darboties, taču noslāpst	Degvielas padeve	Tvertne uzpildīta	Nepareizi noregulēti tukšgaitas apgriezieni, piesārņots karburators Bojāta degvielas tvertnes atvere, traucēta degvielas padeves līnija, bojāti vadi vai slēdzis APTURĒT
Pārāk maza jauda un efektivitāte	Problēmas var būt vairākās sistēmās vienlaicīgi	Vāji dzinēja tukšgaitas apgriezieni	Piesārņots gaisa filtrs, karburators, aizsērējis klusinātājs, aizsērējis izplūdes ceļš cilindrā

Parametrs	Ekspluatācijas laiks								Attiecīgā lpp.
		Pirms ekspluatācijas	Pēc eļļošanas	Katru dienu (10 h)	30 h	50 h	200 h	Izslēgšana/atpūta	
Dzinēja eļļa	Pārbaudīt	○							92
	Nomainīt					○*1			96
Stiprinājuma detaļas (skrūves, uzgriežņi)	Pārbaudīt	○							98
Degvielas tvertne	Iztīrīt/pārbaudīt	○							—
	Iztecintāt degvielu							○*3	99
Drošējvārsta svira	Pārbaudīt funkciju		○						—
Apturēšanas slēdzis	Pārbaudīt funkciju		○						95
Mazu apgriezību rotācija	Pārbaudīt/noregulēt			○					95
Gaisa attīrītājs	Iztīrīt			○					97
Aizdedzes svece	Pārbaudīt			○					98
Dzesēšanas gaisa ceļš	Iztīrīt/pārbaudīt			○					98
Degvielas caurule	Pārbaudīt			○					98
	Nomainīt						◎*2		—
Degvielas filtrs	Iztīrīt/nomainīt					○			98
Attālums starp gaisa ieplūdes vārstu un gaisa izplūdes vārstu	Noregulēt						◎*2		—
Dzinēja rūpīga pārbaude							◎*2		—
Karburators	Iztecintāt degvielu							○*3	99

*1 Sākotnējo nomainīšanu veiciet pēc 20 ekspluatācijas stundām.

*2 Pārbaudi, kas jāveic pēc 200 ekspluatācijas stundām, lūdziet veikt pilnvarotam servisa pārstāvim vai veikalā, kur iegādājāties aparātu.

*3 Pēc degvielas tvertnes iztukšošanas turpiniet darbināt dzinēju un iztecintiet degvielu no karburatora.

Skatiet katras papildierīces lietošanas rokasgrāmatu un tehnisko apkopi veiciet atbilstoši lietošanas rokasgrāmatai.

PROBLĒMU NOVĒRŠANA

Pirms lūdzat veikt remontu, sākumā paši pārbaudiet problēmu. Ja novērojams kas neparasts, rīkojieties ar ierīci saskaņā ar šajā rokasgrāmatā aprakstītajiem norādījumiem. Nekad nepārveidojiet un nenomontējiet detaļas pretēji šeit aprakstītajam. Lai veiktu remontu, sazinieties ar pilnvarotu servisa pārstāvi vai vietējo izplatītāju.

Neparasts stāvoklis	Iespējamais cēlonis (nepareiza darbība)	Risinājums
Dzinējs nesāk darboties	Aizdedzināšanas sūknis nesāk darboties	Spiediet to 7–10 reizes
	Iedarbināšanas trosi vājš rāvienu spēks	Raujiet spēcīgi
	Nepietiek degvielas	Uzpildiet degvielu
	Aizsērējis degvielas filtrs	Iztīriet
	Saliekta degvielas caurule	Iztaisnojiet degvielas cauruli
	Piesārņota degviela	Ar piesārņotu degvielu daudz grūtāk iedarbināt dzinēju. Nomainiet pret jaunu (ieteicamais nomaiņas intervāls: 1 mēnesis).
	Degvielu iesūknē pārāk daudz	Iestatiet droseles sviru no vidēja ātruma uz lielu ātrumu un pavelciet iedarbināšanas rokturi, līdz dzinējs sāk darboties. Pēc dzinēja iedarbināšanas papildierīce sāk griezties vai kustēties. Pievērsiet īpašu uzmanību papildierīcei. Ja dzinējs nesāk darboties vienmērīgi, izņemiet aizdedzes sveci, nožāvējiet elektrodus un ievietojiet sveci atpakaļ. Pēc tam iedarbiniet dzinēju, kā norādīts.
	Noņemts aizdedzes sveces vāciņš	Cieši piestipriniet
	Piesārņota aizdedzes svece	Iztīriet
	Nepareizs aizdedzes sveces attālums	Noregulējiet to
	Citas problēmas ar sveci	Nomainiet
	Problēmas ar karburatoru	Pieprasiet veikt pārbaudi un tehnisko apkopi
	Nav iespējams paraut iedarbināšanas trosi	Pieprasiet veikt pārbaudi un tehnisko apkopi
Problēmas ar piedziņas sistēmu	Pieprasiet veikt pārbaudi un tehnisko apkopi	
Dzinējs ātri vien pārstāj darboties Dzinēja apgriezieni nepalielinās	Nav pietiekami uzsildījies	Veiciet uzsildīšanas darbību
	Jaudas svira ir iestatīta pozīcijā „AIZVĒRTS”, lai arī dzinējs ir uzsildījies.	Iestatiet stāvoklī „ATVĒRTS”
	Aizsērējis degvielas filtrs	Iztīriet vai nomainiet
	Piesārņots vai aizsērējis gaisa attīrītājs	Iztīriet
	Problēmas ar karburatoru	Pieprasiet veikt pārbaudi un tehnisko apkopi
	Problēmas ar piedziņas sistēmu	Pieprasiet veikt pārbaudi un tehnisko apkopi
Papildierīce negriežas vai nekustās ↓ Nekavējoties apturiet dzinēju	Papildierīce nav ievietota līdz norādītajam stāvoklim	Ievietojiet, kā norādīts
Galvenais mehānisms pārmērīgi vibrē ↓ Nekavējoties apturiet dzinēju	Papildierīce nav ievietota līdz norādītajam stāvoklim	Ievietojiet, kā norādīts
	Valģa svira	Piestipriniet cieši
	Problēmas ar piedziņas sistēmu	Pieprasiet veikt pārbaudi un tehnisko apkopi
Papildierīce neapstājas nekavējoties ↓ Nekavējoties apturiet dzinēju	Lieli apgriezieni tukšgaitā	Noregulējiet
	Atvienots droseles vads	Cieši piestipriniet
	Problēmas ar piedziņas sistēmu	Pieprasiet veikt pārbaudi un tehnisko apkopi
Dzinēju nevar apturēt ↓ Darbiniet dzinēju tukšgaitā un iestatiet jaudas sviru pozīcijā „AIZVĒRTS”.	Atvienojies savienotājs	Cieši piestipriniet
	Problēmas ar elektrosistēmu	Pieprasiet veikt pārbaudi un tehnisko apkopi

Ja dzinējs nesāk darboties pēc uzsildīšanas darbības veikšanas:

Ja iepriekš minētajos elementos problēmas nav atrastas, atveriet droseli apmēram par 1/3 un iedarbiniet dzinēju.

Labai ačiū, kad įsigijote šią MAKITA daugiafunkčę benzininę galvutę. Mes su malonumu rekomenduojame jums šią MAKITA daugiafunkčę benzininę galvutę, kuri buvo kuriama ir tobulinama daugelį metų, pasitelkiant ilgametę patirtį ir žinias.




Perskaitykite šią informacinę knygėlę, kurioje išsamiai aprašomos įvairios savybės, įrodančios išskirtinį įrankio darbą. Šios žinios leis jums gauti geriausių, kokie tik įmanomi, rezultatų naudojant MAKITA daugiafunkčę benzininę galvutę.

**Turinys****Puslapis**

Ženkilai	102
Saugumo instrukcija	103
Techniniai duomenys	106
Patvirtinti priedai	107
Dalių sąrašas	108
Rankenos montavimas	109
Priedo montavimas	109
Nuėmimas	110
Prieš pradėdant darbą	111
Tinkamas įrenginio nešimas	113
Nurodymai, kaip naudoti ir sustabdyti įrenginį	113
Techninės priežiūros instrukcija	116
Sandėliavimas	119

ŽENKLAI

Skaitydami naudojimo instrukciją, joje pastebėsite toliau nurodytus ženklus.

	Perskaitykite naudojimo instrukciją ir vadovaukitės įspėjimais bei nurodymais dėl saugos!		Dėvėkite apsauginį šalną, apsauginius akinius ir ausų apsaugas!
	Būkite itin atsargūs ir dėmesingi!		Degalai (benzinas)
	Draudžiama!		Rankinis variklio vedimas
	Rūkyti draudžiama!		Avarinis išjungimas
	Degti atvirą liepsną draudžiama!		Pirmoji pagalba
	Privaloma mūvėti apsaugines pirštines!		ĮJUNGTI/PALEISTI
	Mūvėkite tvirtus batus neslidžiais padais. Rekomenduojama mūvėti batus su plieno apsaugomis kojų pirštams!	○	ĮŠJUNGTAI/SUSTABDYTI
	Darbo vietoje neturi būti žmonių ir kambarinių gyvūnėlių!		

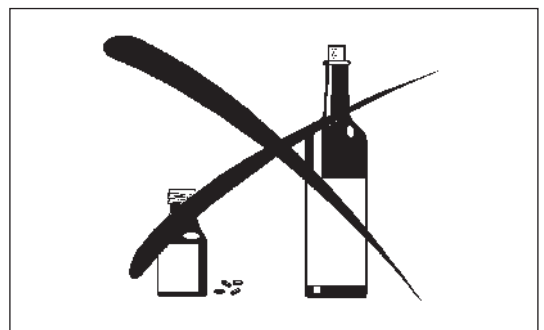
Numatytoji įrenginio paskirtis

Ši daugiafunkcė benzininė galvutė yra patvirtintų priedų, išvardytų šioje naudojimo instrukcijoje, varomasis mechanizmas. Niekada nenaudokite įrenginio jokiai kitam tikslui.

SAUGUMO INSTRUKCIJA

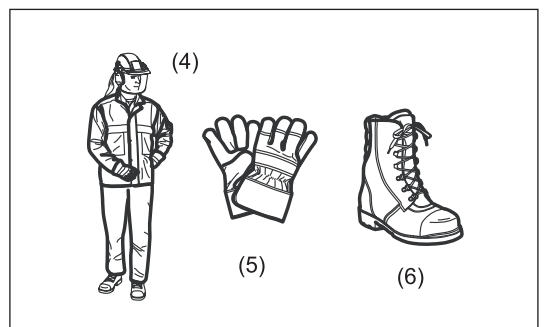
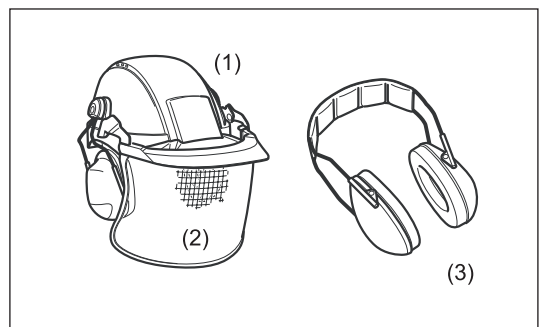
Bendrieji nurodymai

- Norėdamas užtikrinti tinkamą įrenginio darbą, vartotojas turi perskaityti šią naudojimo instrukciją, kad sužinotų, kaip naudoti šią daugiafunkcę benzininę galvutę. Nepakankamai informuoti vartotojai sumažina sau ir kitiems dėl netinkamo naudojimo kylantį pavojų.
- Šią daugiafunkcę benzininę galvutę rekomenduojama skolinti tik tiems žmonėms, kurie įrodo turį patirties naudoti daugiafunkcės benzinines galvutes. Skolindami įrenginį, visuomet atiduokite ir jo naudojimo instrukciją.
- Pirmieji vartotojai privalo paprašyti savo pardavimo atstovo pateikti pagrindinius nurodymus, kad sužinotų, kaip naudoti variklio varomą pjovimo įrenginį.
- Vaikams ir jaunesniems nei 18 metų asmenims negalima naudoti daugiafunkcės benzininės galvutės. Tačiau vyresni nei 16 metų asmenys, prižiūrimi kvalifikuoto specialisto, gali naudoti šį įrenginį mokymdamiesi, kaip juo naudotis.
- Naudodami šią daugiafunkcę benzininę galvutę, būkite labai atsargūs ir atidūs.
- Naudokite šią daugiafunkcę benzininę galvutę tik tuomet, jeigu esate geros fizinės būklės. Visus darbus atlikite ramiai ir atidžiai. Vartotojai privalo prisiimti atsakomybę už kitus.
- Niekada nenaudokite šios daugiafunkcės benzininės galvutės, jei esate apsvaigę nuo alkoholio arba narkotikų, arba, jei jaučiatės pavargę ar sergą.
- Šios mašinos naudojimas gali būti reglamentuojamas nacionaliniais teisės aktais.



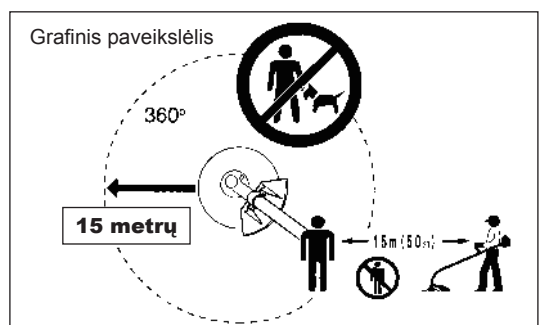
Asmeninės saugos priemonės

- Reikia dėvėti tinkamus darbinus drabužius, t.y., jie turi būti priglundę, bet neaptempę. Nedėvėkite papuošalų ar plačių drabužių, kurie galėtų įsipainioti krūmuose ar krūmynuose.
- Norint išvengti galvos, akių, rankų ar kojų sužeidimą, taip pat apsaugoti klausą, naudojant daugiafunkcę benzininę galvutę, būtina dėvėti apsaugines priemones.
- Ten, kur kyla krintančių daiktų keliamas pavojus, visuomet dėvėkite šalmą. Apsauginį šalmą (1) reikia reguliariai tikrinti, ar jis nesugadintas, ir keisti jį bent kas 5 metus. Naudokite tik aprobuotus apsauginius šalmus.
- Apsauginis šalmo skydelis (2) (arba darbo akiniai) apsaugo veidą nuo sviedžiamos žolės ir akmenukų. Naudodami daugiafunkcę benzininę galvutę, visuomet dėvėkite apsauginius akinius arba skaidrų vantveidį, kad išvengtumėte sužeidimų.
- Dėvėkite tinkamas, nuo triukšmo apsaugančias priemones, kad išvengtumėte klausos pablogėjimo (ausines (3), ausų kištukus ir pan.).
- Darbo kombinezonai (4) apsauga nuo svaidomų akmenų ir šiukšlių. Mes primygtinai rekomenduojame vartotojams dėvėti darbo kombinezonus.
- Specialios pirštinės (5), pagamintos iš storos odos, yra būtina saugos priemonių dalis - jas visuomet būtina mūvėti dirbant su daugiafunkcę benzinine galvute.
- Naudodami daugiafunkcę benzininę galvutę, visuomet dėvėkite tvirtus batus (6) neslidžiais padais. Jie apsaugo kojas nuo sužeidimų ir užtikrina tinkamą pusiausvyrą.



Daugiafunkcės benzininės galvutės paleidimas

- Įsitinkinkite, kad šalia darbo vietos nebūtų vaikų ar kitų žmonių, taip pat atkreipkite dėmesį, ar netoliese nėra kokių nors gyvūnų.
- Patikrinkite, ar uždėtas priedas, ar lengvai veikia valdymo svirtis ir patikrinkite, ar tinkamai veikia blokavimo svirtis.
- Įrenginiui veikiant tuščiaja eiga be apkrovų, priedas turi nesisukti. Jei abejojate, atiduokite įrenginį pardavimo atstovui, kad jį patikrintų. Patikrinkite, ar rankenos yra švarios ir sausos; taip pat patikrinkite, ar tinkamai veikia įjungimo/išjungimo jungiklis.

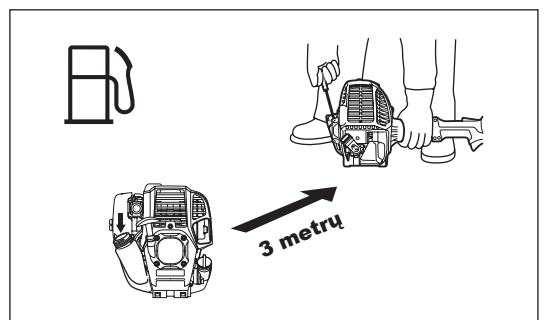
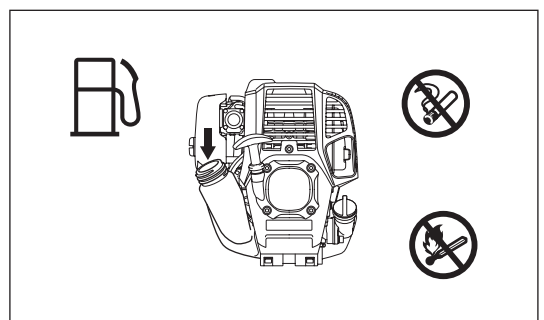
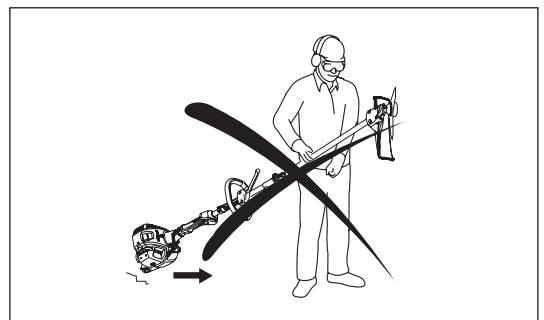
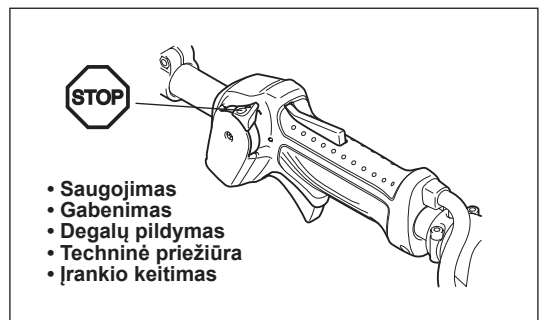
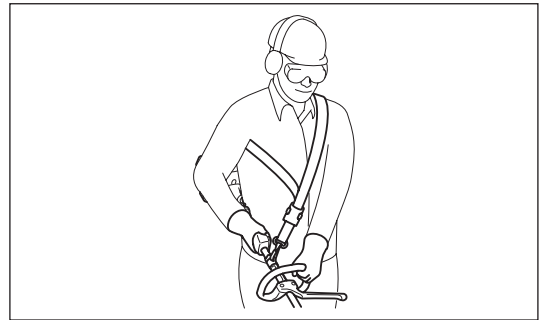
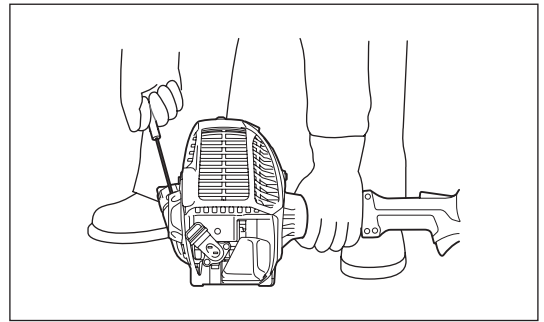


Ijunkite šią daugiafunkcę benzininę galvutę tik taip, kaip nurodyta instrukcijoje.

- Nenaudokite jokių kitų būdų varikliui užvesti!
- Naudokite šią daugiafunkcę benzininę galvutę ir įrankius tik pagal jų numatytąją paskirtį.
- Daugiafunkcę benzininę galvutę junkite tik tuomet, kai ji bus visiškai sumontuota. Šį prietaisą galima naudoti tik tuomet, kai bus uždėti visi atitinkami jo priedai!
- Prieš įjungdami, įsitinkinkite, ar priedas nesiliečia prie jokių kietų objektų, pavyzdžiui, šakų, akmenų ir pan., nes paleidus priedą gali įvykti atotranka.
- Įvykus kokiam nors variklio gedimui, jį būti tuoj pat išjungti.
- Jei priedas atsitrenktų į akmenį ar kokį nors kitą kietą objektą, tuoj pat išjunkite variklį ir apžiūrėkite priedą.
- Naudokite daugiafunkcę benzininę galvutę tik užsidėję ant peties diržą, kurį reikia tinkamai pareguliuoti prieš pradėdant naudoti šią daugiafunkcę benzininę galvutę. Būtina pareguliuoti peties diržą pagal vartotojo ūgį, kad sumažėtų darbo metu patiriamas nuovargis. Naudodami pjovimo įrankį, niekuomet nevaldykite jo viena ranka.
- Pjovimo darbų metu visuomet tvirtai laikykite daugiafunkcę benzininę galvutę abejomis rankomis. Visuomet tvirtai stovėkite ant žemės.
- Naudokite daugiafunkcę benzininę galvutę tokiu būdu, kad neįkvėptumėte išmetamų dujų. Niekuomet nejunkite variklio užradose patalpose (pavojus apsinuodyti nuodingomis dujomis). Anglies monoksidas yra bekvapės dujos.
- Išjunkite variklį poilsio pertraukų metu ir tuomet, kai paliekate daugiafunkcę benzininę galvutę be priežiūros; padėkite ją saugioje vietoje, kad ji nekeltų pavojaus kitiems arba pati nebūtų sugadinta.
- Niekada nedėkite daugiafunkcės benzininės galvutės ant sausos žolės arba ant kokių nors kitų degių medžiagų.
- Darbo metu privaloma naudoti visus su įrankiu pateiktus apsauginius įtaisus ir apsaugas.
- Niekuomet nejunkite variklio, jei sugedęs jo išmetimo dujų duslintuvas.
- Nešdami įrankį, išjunkite jį.
- Gabenant įrankį ilgus atstumus, visuomet privaloma naudoti įrankio apsaugą, pateiktą su įrenginiu.
- Jei vežate daugiafunkcę benzininę galvutę automobiliu, būtinai tinkamai padėkite ją, kad iš jos neištekėtų degalai.
- Jei gabenate daugiafunkcę benzininę galvutę, visuomet visiškai ištuštinkite jos degalų baką.
- Išimdami daugiafunkcę benzininę galvutę iš sunkvežimio, niekada nemeskite jos ant žemės, nes galite smarkiai sugadinti jos degalų baką.
- Niekuomet nemeskite šios daugiafunkcės benzininės galvutės ant žemės, išskyrus avarinius atvejus, nes kitaip galite smarkiai ją sugadinti.
- Nešdami įrenginį, visiškai pakelkite jį nuo žemės - nevilkite jo žeme. Vilkti įrenginį žeme yra labai pavojinga, nes gali būti pažeistas degalų bakas ir ištekėję degalai gali sukelti gaisrą.
- Jei įrenginys patiria stiprų smūgį arba nukrenta, prieš dirbdami toliau patikrinkite jo būklę. Patikrinkite, ar nėra degalų sistemos nuotėkio ir ar tinkamai veikia valdikliai bei saugos prietaisai. Jei yra pažeidimas arba kyla abejonių, kreipkitės į mūsų įgaliotąją techninės priežiūros centrą dėl patikrinimo ir remonto.

Degalų pildymas

- Pildami į baką degalų, išjunkite variklį; nepilkite degalų prie atviros liepsnos šaltinių ir nerūkykite.
- Stenkitės, kad ant odos nepakliūtų mineralinės alyvos. Neįkvėpkite degalų garų. Pildami degalus, visuomet mūvėkite apsaugines pirštines. Reguliariai keiskite ir skalbkite apsauginius drabužius.
- Stenkitės neišlieti degalų ar alyvos, kad neužterštumėte dirvos (saugokite aplinką). Jeigu išlietumėte degalų, tuoj pat nuvalykite šią daugiafunkcę benzininę galvutę.
- Stenkitės, kad degalų nepakliūtų ant drabužių. Tuoj pat persirenkite, jei apliejote drabužius degalais (kad drabužiai neužsiliepsnotų).
- Reguliariai tikrinkite degalų dangtelį, kad įsitikintumėte, jog jį galima saugiai ir sandariai užsukti.
- Kruopščiai užsukite degalų bako dangtelį. Variklį užveskite atokiai nuo tos vietos, kurioje pylėte degalų (bent per 3 metrus nuo degalų pildymo vietos).
- Niekuomet nepildykite degalų uždaroje patalpose. Degalų garai kaupiasi ties žemės paviršiumi (kyla sprogo pavojus).
- Degalus vežkite ir laikykite tik aprobuotuose bakuose. Užtikrinkite, kad saugomi degalai būtų laikomi vaikams nepasiekiamoje vietoje.

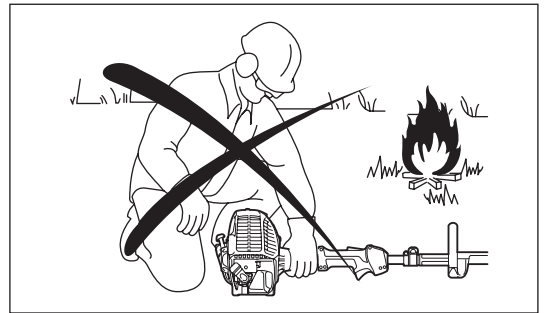


Naudojimo būdas

- Daugiafunkčę benzininę galvutę junkite tik esant geroms apšvietimo ir matomumo sąlygoms. Žiemos metu saugokitės slidžių ar šlapių vietų, ledo ir sniego (pavojus paslysti). Visuomet tvirtai stovėkite ant žemės.
- Niekada nenaudokite daugiafunkčės benzininės galvutės stovėdami ant kopėčių.
- Niekada nelipkite į medžius, kad nupjautumėte šakas daugiafunkce benzinine galvute.
- Niekada nedirbkite stovėdami ant nestabilių paviršių.
- Prieš pradedant naudoti priedą, reikia palaukti, kol priedas pasieks maksimalų darbo greitį.
- Pailsėkite, kad dėl nuovargio neprarastumėte gebėjimo valdyti įrankį. Rekomenduojame kas valandą pailsėti 10–20 minučių.

Techninės priežiūros instrukcija

- Įrenginio techninė priežiūra privalo būti atliekama mūsų įgaliotuosiuose techninio aptarnavimo centruose, visada naudojant tik originalias keičiamąsias dalis. Netinkamas remontas ir prasta techninė priežiūra gali sutrumpinti įrenginio tarnavimo laiką ir padidinti nelaimingų atsitikimų pavojų.
- Naudokite šią daugiafunkčę benzininę galvutę, keldami kaip įmanoma mažiau triukšmo ir nešvarumų. Ypač patirkinkite, ar tinkamai nustatytas karbiuratorius.
- Reguliariai valykite daugiafunkčę benzininę galvutę ir tikrinkite, ar gerai priveržti visi varžtais ir veržlės.
- Niekada nedarykite techninės priežiūros darbų ir nelaikykite daugiafunkčę benzininę galvutę šalia atviros liepsnos.
- Daugiafunkčę benzininę galvutę visuomet laikykite rakinamoje patalpoje, ištuštinę jos degalų baką.



Laikykitės atitinkamų nelaimingų atsitikimų prevencijos nurodymų, kuriuos pateikia atitinkamos prekybos asociacijos ir draudimo bendrovės. Niekada nekeiskite daugiafunkčės benzininės galvutės konstrukcijos, kitaip kils pavojus jūsų saugumui.

Vartotojo atliekami techninės priežiūros ir remonto darbai yra ribojami; vartotojas gali atlikti tik tuos darbus, kurie yra nurodyti šioje naudojimo instrukcijoje. Visus kitus darbus privalo atlikti įgaliotasis techninės priežiūros atstovas. Naudokite tik originalias, MAKITA bendrovės pagamintas ir tiekiamas keičiamąsias dalis ir priedus.

Naudojant neapčiuotus priedus ir įrankius padidėja nelaimingų atsitikimų pavojus.

MAKITA nepisiiima atsakombės už nelaimingus atsitikimus ar žalą, kuri atsiranda naudojant neapčiuotus priedus ir priedų tvirtinimo prietaisus bei papildomus įtaisus.

Pirmoji pagalba

Atlikdami pjovimo darbus, būtinai užtikrinkite, netoliese visuomet turėtumėte pirmosios pagalbos rinkinį dėžutėje, kuriuo galėtumėte pasinaudoti nelaimingo atsitikimo atveju. Jei panaudojote kokių nors pirmosios pagalbos priemonių, tuoj pat papildykite rinkinį.

Kreipdamiesi pagalbos, pateikite šią informaciją:

- Vieta, kur įvyko nelaimingas atsitikimas
- Kas atsitiko
- Sužeistų asmenų skaičius
- Sužeidimo pobūdis
- Jūsų vardas, pavardė

Vibracija

- Per didelę vibraciją patiriantys žmonės, kurių prasta kraujo apytaka, gali susižeisti kraujagysles arba nervų sistemą. Dėl vibracijos pirštuose, rankose ar riešuose gali atsirasti tokių simptomų: „Nutirpimas“, dilgčiojimas, skausmas, dūrimo pojūtis, odos spalvos arba odos pakitimas. Pajutę bet kurį iš šių simptomų, kreipkitės į gydytoją!
- Siekdami sumažinti pavojų susirgti „pirštų balimo liga“, dirbdami rankas laikykite šiltai ir tinkamai techniškai prižiūrėkite įrenginį bei priedus.



EB ATITIKTIES DEKLARACIJA

Tik Europos šalims

EB atitikties deklaracija pateikta šios naudojimo instrukcijos A priede.

TECHNINIAI DUOMENYS EX2650LH

Modelis	EX2650LH	
Rankenos tipas	Kilpinė rankena	
Matmenys: ilgis x plotis x aukštis (be pjovimo peilio) su užtvara	mm	975 × 323 × 241
Matmenys: ilgis x plotis x aukštis (be pjovimo peilio) be užtvaros	mm	975 × 242 × 241
Svoris (be plastikinio apsauginio gaubto ir pjovimo peilio)	kg	4,6
Talpa (degalų bako)	l	0,6
Talpa (alyvos bakelis)	l	0,08
Variklio litražas	cm ³	25,4
Maksimali variklio galia	kw	0,77 esant 7 000 min ⁻¹
Variklio apsukos esant rekomenduojamam maksimaliam veleno sukimosi greičiui	min ⁻¹	10 000
Tuščioji eiga	min ⁻¹	3 000
Sankabos įjungimo greitis	min ⁻¹	3 900
Karbiuratorius	Diafragmos tipas	
Uždegimo sistema	Bekontaktė, magnetinio tipo	
Uždegimo žvakė	tipas	NGK CMR4A
Elektrodo tarpelis	mm	0,7 - 0,8
Degalų	Automobilinis benzinas	
Variklio alyva	API kategorijos SF arba aukštesnės klasės SAE 10W-30 alyva (automobilinė alyva, skirta 4-takčiams varikliams)	

Vibracija

Įtaisas	Dešinioji rankena (galinė rankena)		Kairioji rankena (priekinė rankena)		Taikomi standartai
	a _{hiv eq} (m/s ²)	Paklaida K (m/s ²)	a _{hiv eq} (m/s ²)	Paklaida K (m/s ²)	
EM400MP	6,5	1,2	5,9	1,8	ISO 22867
EM401MP	5,6	2,1	4,8	1,0	ISO 22867
ER400MP	7,1	2,8	5,5	2,7	ISO 22867
EY400MP	9,4	2,0	4,2	2,0	ISO 22867
EY400MP + LE400MP	4,8	2,0	3,4	2,0	ISO 22867
EY401MP	6,5	2,0	3,8	2,0	ISO 22867
EY401MP + LE400MP	5,6	2,0	3,4	2,0	ISO 22867
EN400MP	8,4	1,8	5,0	0,7	ISO 10517
EN400MP + LE400MP	8,0	1,7	4,3	0,7	ISO 10517
KR400MP	5	1,1	4,4	2,3	ISO 22867
EJ400MP	7,1	1,5	4,9	1,5	ISO 22867
EJ400MP + LE400MP	6,4	0,6	4,0	0,7	ISO 22867
EN401MP	8,0	1,7	5,8	1,0	ISO 10517
EN401MP + LE400MP	10,5	1,5	8,0	1,5	ISO 10517
EN410MP	7,4	2,9	4,6	0,9	ISO 10517
EN410MP + LE400MP	10,5	4,1	5,7	2,1	ISO 10517
EN420MP	8,4	1,2	5,7	3,5	ISO 10517
EE400MP	8,6	1,7	3,5	1,6	ISO 22867

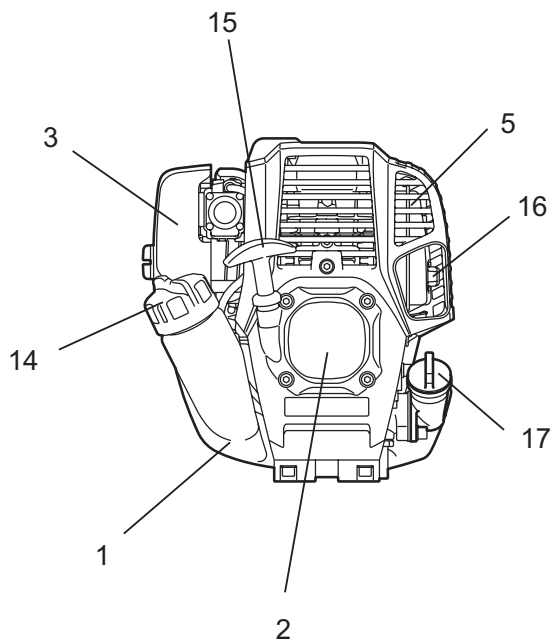
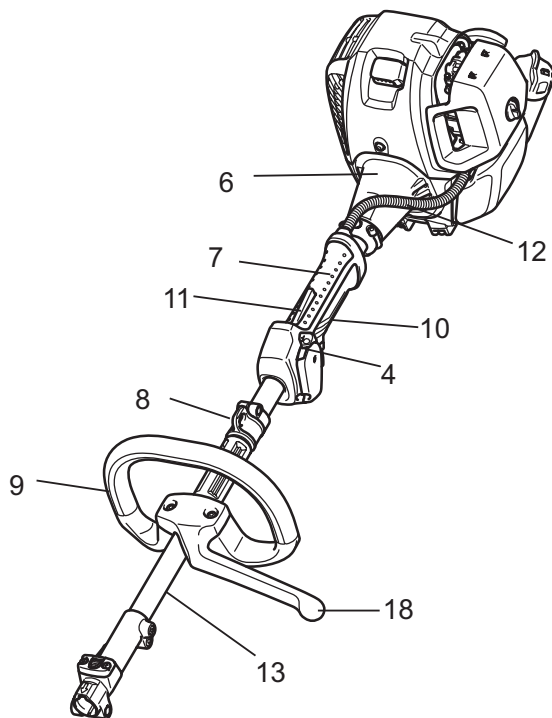
Triukšmo lygis

Įtaisas	Vidutinis garso slėgio lygis		Vidutinis garso galios lygis		Taikomi standartai
	L _{PA eq} (dB (A))	Paklaida K (dB (A))	L _{WA eq} (dB (A))	Paklaida K (dB (A))	
EM400MP	95,0	4,4	105,5	3,3	ISO 22868
EM401MP	89,9	3,6	99,7	2,7	ISO 22868
ER400MP	97,9	4,2	106,2	4,0	ISO 22868
EY400MP	93,0	2,5	104,5	2,5	ISO 22868
EY400MP + LE400MP	90,3	2,5	107,8	2,5	ISO 22868
EY401MP	92,6	2,5	104,7	2,5	ISO 22868
EY401MP + LE400MP	90,5	2,5	107,9	2,5	ISO 22868
EN400MP	93,1	4,4	102,9	4,8	ISO 10517
EN400MP + LE400MP	87,8	1,9	103,0	2,0	ISO 10517
KR400MP	93,7	2,6	99,7	1,2	ISO 22868
EJ400MP	89,0	2,3	99,8	1,1	ISO 22868
EJ400MP + LE400MP	88,1	2,2	100,8	2,3	ISO 22868
EN401MP	90,7	1,6	102,1	1,7	ISO 10517
EN401MP + LE400MP	89,2	2,9	102,0	1,6	ISO 10517
EN410MP	87,8	0,8	102,3	1,7	ISO 10517
EN410MP + LE400MP	88,7	1,1	102,9	0,9	ISO 10517
EN420MP	88,7	1,0	101,3	0,7	ISO 10517
EE400MP	89,5	2,0	99,7	2,6	ISO 22868

PATVIRTINTI PRIEDAI

PRIEDAI	Modeliai
Krūmapjovės priedas	EM400MP, EM401MP
Vielinės žoliapjovės priedas	ER400MP
Vamzdinio pjūklo priedas	EY400MP, EY401MP
Gyvatvorės žirklių priedas	EN400MP, EN401MP, EN410MP
Pjovimo palei žemę priedas	EN420MP
Kultivatoriaus priedas	KR400MP
Kavos derliaus nuėmimo priedas	EJ400MP
Pakraščių lygintuvo priedas	EE400MP
Veleno ilginimo priedas	LE400MP

EX2650LH



LT	DALIŲ SĄRAŠAS
1	Degalų bakas
2	Rankiniu būdu užvedamas starteris
3	Oro filtras
4	I-O jungiklis (įjungti/išjungti)
5	Išmetimo dujų duslintuvas
6	Sankabos dėžė
7	Galinė rankena
8	Pakaba
9	Rankenėlė
10	Droselinės sklendės svirtis
11	Blokavimo svirtis
12	Valdymo kabelis
13	Velenas
14	Degalų pildymo angos dangtelis
15	Starterio rankenėlė
16	Išmetimo vamzdis
17	Alyvos pildymo angos dangtelis
18	Užtvara*

Pastaba: kai kuriose šalyse užtvara su įrankiu nepateikiama.

RANKENOS MONTAVIMAS

PERSPĖJIMAS: Prieš pradėdami be kokių daigiafunkcės benzininės galvutės reguliavimo, remonto ar valymo darbus, visuomet išjunkite variklį ir atjunkite uždegimo žvakės jungtį nuo žvakės. Visuomet mūvėkite apsaugines pirštines!

PERSPĖJIMAS: Daigiafunkčę benzininę galvutę užveskite tik tuomet, kai ji bus visiškai sumontuota.

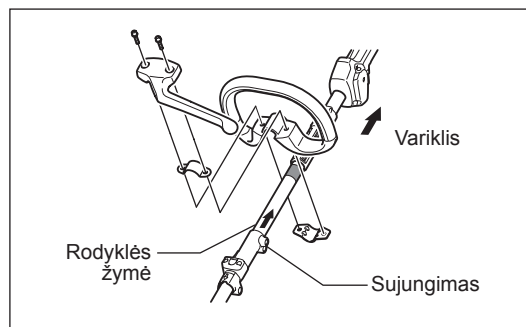


Kilpinės rankenos montavimas

- Tvirtai pritvirtinkite užtvary ir rankeną prie veleno vamzdžio dviem varžtais ir spaustukais. Dabar padėkite užtvary kairėje aparato pusėje, kaip pavaizduota.
- Užtikrinkite, kad rankenos / užtvarys mazgas būtų tarp poveržlės ir rodyklės žymės. Nenuimkite arba neperspauskite poveržlės.
- Sumontavę nenuimkite užtvarys.

PERSPĖJIMAS: niekada nemontuokite rankenos ant etiketės arba jungties.

Pastaba: kai kuriose šalyse užtvary ir rodyklės žymė su įrankiu nepateikiama.



PRIEDO MONTAVIMAS

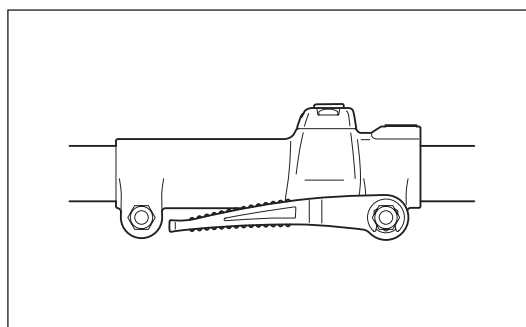
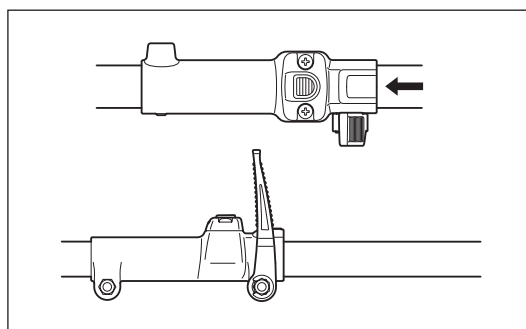
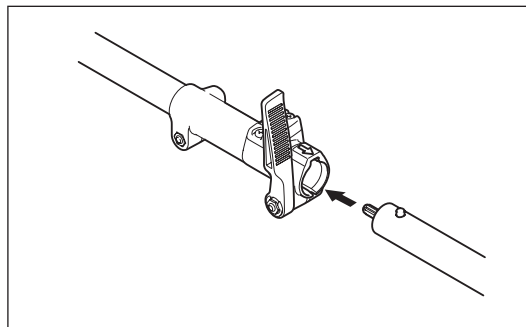
PERSPĖJIMAS: Prieš pradėdami be kokių daigiafunkcės benzininės galvutės reguliavimo, remonto ar valymo darbus, visuomet išjunkite variklį ir atjunkite uždegimo žvakės jungtį nuo žvakės. Visuomet mūvėkite apsaugines pirštines!

PERSPĖJIMAS: Daigiafunkčę benzininę galvutę užveskite tik tuomet, kai ji bus visiškai sumontuota.



Surinkimas

- Atlaisvinkite svirtį.
- Sutapdinkite priedo kaištį su sujungimo grioveliu ir įkiškite kaištį.
- Įkiškite priedą iki ant priedo pažymėtos rodyklės. Patikrinkite, ar mygtukas pakilo.
- Užveržkite svirtį.
(Žr. dešinėje pateiktą pavyzdinę schemą.)

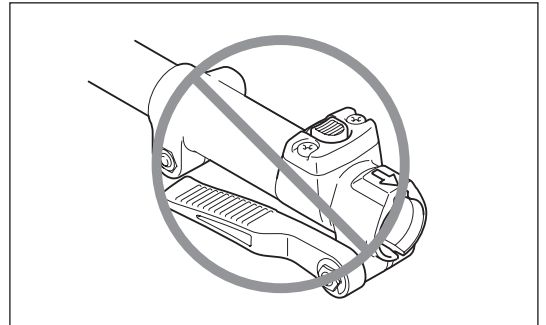
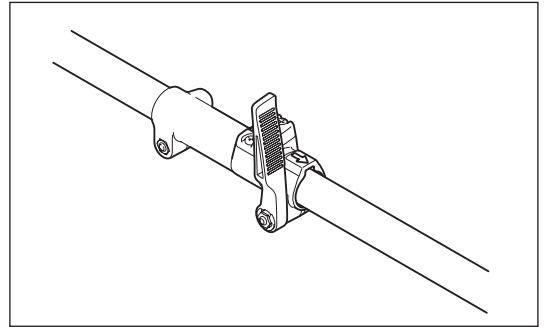


NUĖMIMAS

- Atlaisvinkite svirtį.
- Parspauskite mygtuką ir ištraukite priedą.
(Bandykite traukti priedą kaip įmanoma tiesesne linija.)

Pastaba:

- Nepalikite svirties užtvirtintos, kai priedas neuždėtas.



PRIEŠ PRADEDANT DARBĄ

Variklio alyvos tikrinimas ir pripylimas

- Atvėsus varikliui, atlikite tokius veiksmus.
- Laikydami variklį lygiai, nuimkite alyvos pildymo angos dangtelį (1 pav.) ir patikrinkite, ar alyvos pripilta tarp viršutinės ir apatinės alyvos vamzdelio (2 pav.) žymių.
- Jeigu trūksta alyvos (jos lygis beveik siekia apatinės ribos žymę), pripilkite jos iki viršutinės ribos žymės (3 pav.).
- Sritis ties išorinėmis žymėmis yra permatoma, todėl alyvos lygį galima patikrinti nenuimant alyvos pildymo angos dangtelio. Visgi, jeigu alyvos vamzdelis labai užsiterštų, matomumas gali pablogėti, todėl alyvos lygį reikėtų tikrinti pagal pakopinę dalį, esančią alyvos vamzdelio viduje.
- Atminkite, kad alyvos reikia papildomai pripilti maždaug kas 10 darbo valandų (kas 10 degalų pildymo kartų).
Jei pakinta alyvos spalva arba ji užteršiama, pripilkite švarios alyvos. (Apie keitimo intervalus ir keitimo būdą skaitykite 116 psl.)

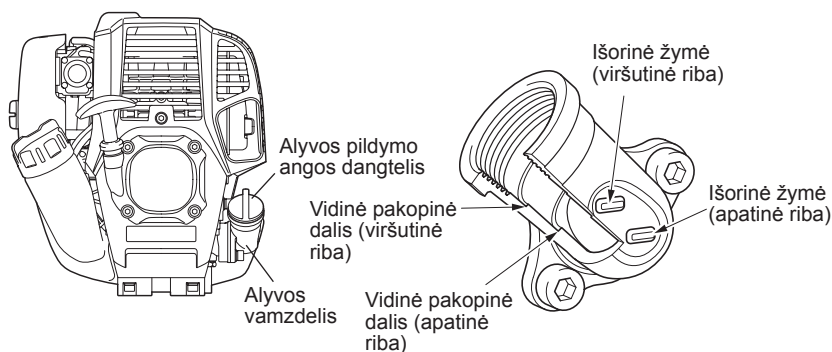
Rekomenduojama alyva: API klasifikacijos alyva, kurios klampumas pagal SAE yra 10W-30, SF arba aukštesnės klasės (skirta 4-takčiams automobilių varikliams)

Alyvos kiekis: Maždaug 0,08 l

Pastaba: Jei variklis laikomas ne pakėlimo padėtyje, alyva gali subėgti aplink variklį ir todėl galite perpildyti alyvos.
Jei alyvos pripilsite per daug, ji gali būti užteršta arba ji gali užsidegti nuo benzino garų.

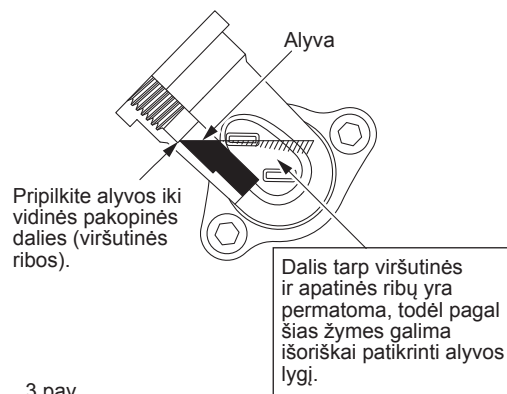
1 nurodymas, kaip keisti alyvą: „Alyvos pildymo angos dangtelis“

- Nuvalykite aplink alyvos pildymo angą susikaupusias dulkes ar purvą ir nuimkite alyvos pildymo angos dangtelį.
- Saugokite ištrauktą alyvos pildymo angos dangtelį nuo smėlio ar dulkių. Kitaip prie alyvos pildymo angos dangtelio prilipęs smėlis ar dulkės gali sutrikdyti alyvos srautą arba sukelti variklio dalių nusidėvėjimą ir dėl to variklis gali sugesti.



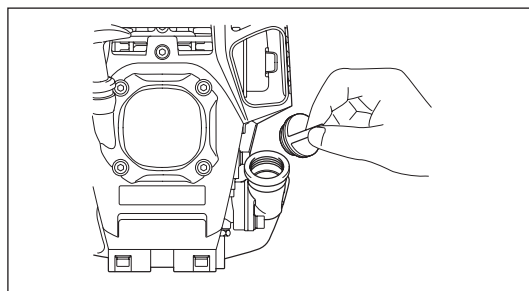
1 pav.

2 pav. Alyvos vamzdelis

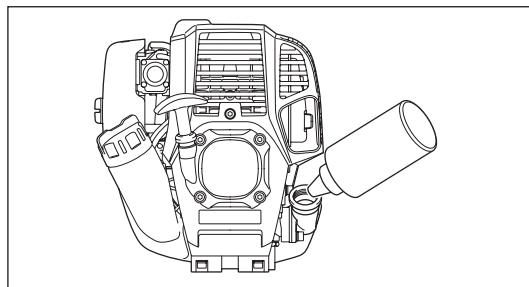


3 pav.

(1) Laikykite variklį lygiai ir nuimkite alyvos pildymo angos dangtelį.



(2) Pripilkite alyvos iki viršutinės ribos žymės. (žr. 3 pav.)
Pildymui naudokite alyvos buteliuką.



(3) Tvirtai užsukite alyvos pildymo angos dangtelį. Netvirtai priveržus, alyva gali ištekėti.

Pastaba

- Nepilkite alyvos, kai variklis yra pasviręs.
- Pilant alyvos, kai variklis yra pasviręs, alyvos pripilama per daug, o tai sąlygoja užteršimą alyva ir (arba) kyla baltų dūmų.

2 nurodymas, kaip keisti alyvą: „Jei alyva išsilieja“

- Jei tarp degalų bakelio ir pagrindinio variklio bloko pakliūna alyvos, ji patenka į vidų pro aušinimo oro įleidimo angą ir užteršia variklį. Prieš padėdami darbą, būtinai nuvalykite išsiliejusią alyvą.

DEGALŲ PYLIMAS

Kaip elgtis su degalais

Būtinyje labai atsargiai elgtis su degalais. Degaluose gali būti cheminių medžiagų, panašių į tirpiklius. Degalus pilti reikia pakankamai vėdinamoje patalpoje arba lauke. Niekomet neįkvėpkite degalų garų, laikykite degalus atokiai nuo savęs. Jei reguliariai arba ilgai liosite degalus, oda tampa sausa; galite susirgti odos liga arba alergija. Jei degalų pakliūtų į akis, tuoj pat gausiai išplaukite akis švariu vandeniu. Jei akys vis tiek liks sudirgintos, pasikonsultuokite su savo gydytoju.

Degalų galiojimo laikas

Degalus reikėtų sunaudoti maždaug per 4 savaites, net jei jie laikomi specialiuose bakuose gerai vėdinamoje vietoje. Jei nenaudojate specialaus bako arba bakas laikomas neuždengtas, degalų kokybė gali pablogėti per vieną dieną.

ĮRENGINIO SAUGOJIMAS IR DEGALŲ BAKO PILDYMAS

- Laikykite įrenginį ir jo baką vėsioje vietoje, atokiai nuo tiesioginių saulės spindulių.
- Niekada nelaikykite degalų automobilyje salone arba bagažinėje.

Degalų

Šis variklis yra keturtaktis. Būtinai naudokite automobiliams skirtą benziną (įprastą benziną arba aukščiausios kokybės benziną).

Nurodymai, kaip pilti degalus

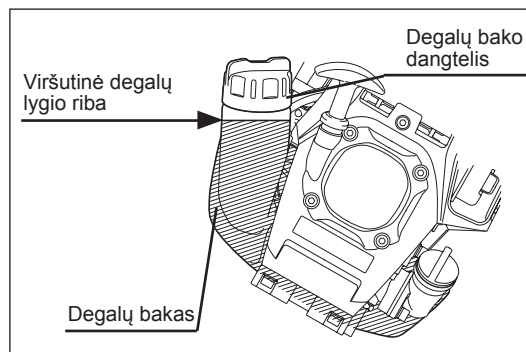
- Niekomet nenaudokite benzino mišinių, kurių sudėtyje yra variklio alyvos. Kitaip bus išmetama per daug anglies dvideginio arba atsiras mechaninių gedimų.
- Naudojant užterštą alyvą, bus sunku užvesti variklį.

Degalų pildymas

ĮSPĖJIMAS: GRIEŽTAI DRAUDŽIAMA NAUDOTI BET KOKIAS DEGIAS MEDŽIAGAS

Naudojamas benzinai: Automobilinis benzinai (neetilnuotas)

- Trupučių atsukite degalų bako dangtelį, kad susivienodintų atmosferos ir degalų bako esantis slėgis.
- Nuimkite degalų bako dangtelį, pripilkite degalų, tuomet pakreipkite degalų baką, kad pylimo anga būtų nukreipta į viršų ir iš degalų bako išeitų oras. (Niekada nepilkite degalų iki alyvos pildymo angos.)
- Gerai nušluostykite degalų bako dangtelį, kad į degalų baką nepakliūtų jokių pašalinių dalelių.
- Pripylę degalų, kruopščiai užsukite degalų bako dangtelį.
- Degalų bakelio dangtelis būtų įtrūkęs ar apgadintas, nedelsdami pakeiskite jį nauju.
- Degalų bakelio dangtelis nusidėvi, todėl jį reikėtų pakeisti kas du ar tris metus.



TINKAMAS ĮRENGINIO NEŠIMAS

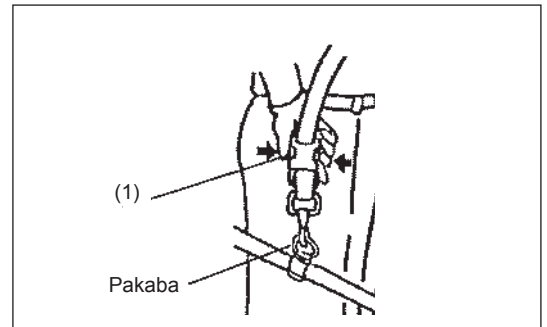
Kaip užsidėti diržą ant peties

- Paremuliuokite diržo ilgį, kad jums būtų patogiu dirbti.

Atjungimas

- Esant avarinei situacijai, paspauskite (1) abejuose šonuose esančias įrantas ir galėsite atkabinti įrenginį. Tuo metu būkite labai atsargūs, kad suvaldytumėte įrenginį. Neleiskite, kad įrenginys būtų nusviestas link jūsų ar šalia dirbančių žmonių.

ĮSPĖJIMAS: Visai nesuvaldžius įrenginio, galima sunkiai susižaloti arba net ŽŪTI.



NURODYMAI, KAIP NAUDOTI IR SUSTABDYTI ĮRENGINĮ

Laikykite galiojančių nurodymų dėl nelaimingų atsitikimų prevencijos!

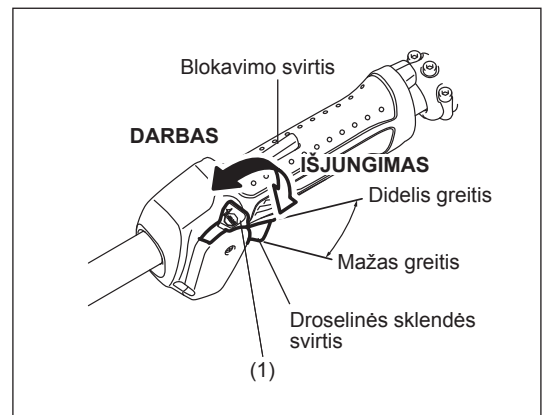


ĮJUNGIMAS

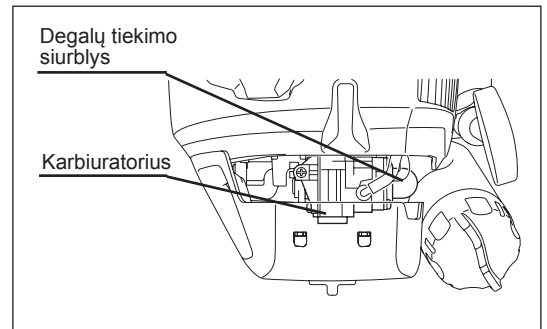
Pasitraukite bent 3 m nuo tos vietos, kurioje pylėte degalus. Padėkite daugiafunkčę benzininę galvutę ant švarios žemės paviršiaus, bet įsitinkinkite, kad priedas neliestų žemės ar kokių nors kitų daiktų.

A: Šaltasis užvedimas

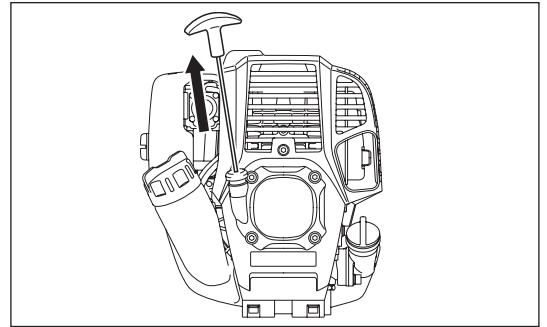
- 1) Padėkite šį įrenginį lygioje vietoje.
- 2) Nustatykite I-O jungiklį (1) į padėtį DARBAS.



- 3) Degalų tiekimo siurblys
Pumpuokite degalų tiekimo siurblį, kol į jį pritekės degalų.
(Paprastai degalai patenka į degalų tiekimo siurblį, paspaudus 7–10 kartų.)
Jei per daug kartų paspausite degalų tiekimo siurblį, degalų perteklius sugrįš į degalų baką.



- 4) Rankiniu būdu užvedamas starteris
Atsargiai traukite už starterio rankenėlės, kol ją bus sunku traukti (kompresijos taškas). Tuomet sugrąžinkite starterio rankenėlę atgal į vietą ir stipriai patraukite už jos.
Niekada neištraukite virvės iki galo. Ištraukę starterio rankenėlę, niekada tuoj pat jos neatleiskite. Liakykite starterio rankenėlę, kol ji sugrįš į pradinį tašką.
- 5) Pašildymas
2–3 minutes pašildykite variklį.



Pastaba: Esant per dideliame degalų tiekime, išsukite uždegimo žvakę ir lėtai patraukite už starterio rankenos, kad degalų perteklius būtų pašalintas. Taip pat nususinkite uždegimo žvakės elektrodo dalį.

Įspėjimas dirbant:

Jei varikliui veikiant be apkrovų droselinės sklendės svirtis yra visiškai atidaryta, variklio apsukos padidės iki 10 000 min⁻¹ arba daugiau. Niekada neleiskite varikliui veikti didesniu nei nurodytas greičiu, maždaug 6 000 - 8 500 min⁻¹.

B: Įjungimas po variklio pašildymo

- 1) Keliskart paspauskite degalų tiekimo siurblį.
- 2) Droselinės sklendės svirtis turi būti tuščiosios eigos padėtyje.
- 3) Stipriai patraukite už rankinio užvedimo starterio rankenėlės.
- 4) Jei variklis sunkiai užsiveda, atidarykite droselinį sklendę maždaug 1/3.
Atkreipkite dėmesį į priedą, kuris gali sukintis.

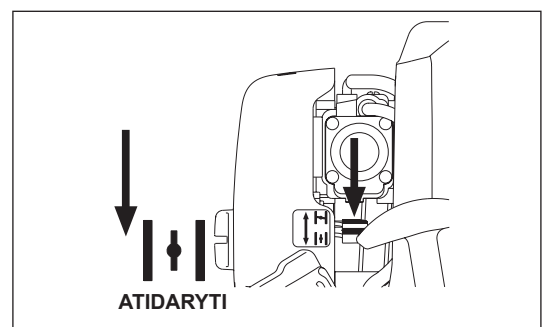
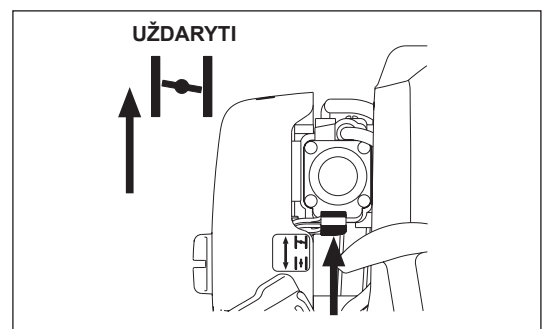
Kai variklį sunku užvesti, pavyzdžiui, žiemą

Užvesdami variklį, valdykite droselinės sklendės valdymo svirtį, atlikdami šiuos veiksmus:

- Atlikdami 1) – 3) paleidimo žingsnius, nustatykite droselinės sklendės valdymo svirtį UŽDARYMO padėtyje.
- Atlikite 4) paleidimo žingsnį ir užveskite variklį.
- Užvedus variklį, nustatykite droselinės sklendės valdymo svirtį į ATIDARYMO padėtį.
- Atlikite 5) paleidimo žingsnį ir pabaikite variklio pašildymą.

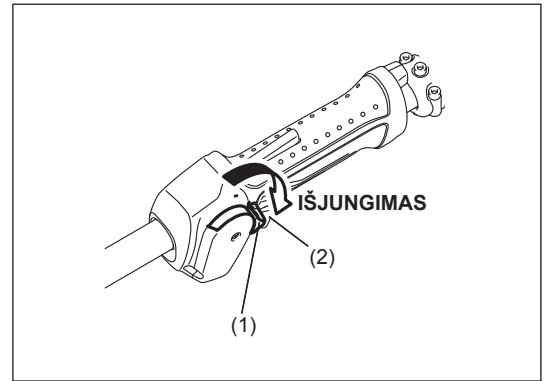
PERSPĖJIMAS: Jeigu pasigirsta pokštelėjimas (sprogimo garsas) ir variklis išsijungia arba vos tik užvedus variklį ir nespėjus nustatyti droselinės sklendės valdymo svirties jis užgęsta, sugrąžinkite droselinės sklendės valdymo svirtį atgal į ATIDARYMO padėtį ir dar kartą kelis kartus patraukite starterio rankeną, kad variklis užsivestų.

PERSPĖJIMAS: Jeigu droselinės sklendės valdymo svirtį paliksime UŽDARYMO padėtyje ir tikrai pakartotinai trauksite starterio rankeną, bus įsiurbta per daug degalų ir variklį bus sunku užvesti.



IŠJUNGIMAS

- 1) Visiškai atleiskite droselinės sklendės svirtį (2) ir, kaip variklio apsukos sumažės, nustatykite I-O jungiklį į IŠJUNGIMO padėtį - variklis išsijungs.
- 2) Atkreipkite dėmesį, kad priedas gali sustoti ne iš karto, todėl palaukite, kol jis sustos.

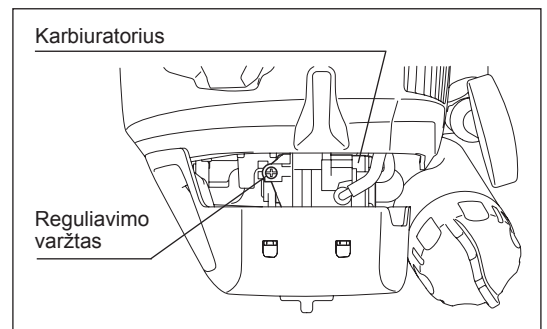


SUKIMOSI MAŽU GREIČIU REGULIAVIMAS (TUŠČIOJI EIGA)

Jei reikia pareguliuoti sukimąsi mažu greičiu (tuščiąją eigą), atlikite tai karbiuratoriaus reguliavimo varžtu.

SUKIMOSI MAŽU GREIČIU TIKRINIMAS

- Nustatykite sukimąsi mažu greičiu, kad jis būtų 3 000 min⁻¹.
Jei reikia pakeisti sukimosi greitį, pareguliuokite reguliavimo varžtą (parodytas dešinėje) Phillips veržliarakčiu.
- Sukite reguliavimo varžtą į dešinę, ir variklio apsukos padidės.
Sukite reguliavimo varžtą į kairę, ir variklio apsukos sumažės.
- Karbiuratoriaus paprastai būna sureguliuotas gamykloje, prieš pristatant įrenginį klientui. Jeigu jį reikėtų pareguliuoti, susisiekite su įgaliotuoju techninės priežiūros atstovu.



TECHNINĖS PRIEŽIŪROS INSTRUKCIJA

PERSPĖJIMAS: Prieš pradėdami be kokius daugiafunkcės benzininės galvutės reguliavimo, remonto ar valymo darbus, visuomet išjunkite variklį ir atjunkite uždegimo žvakės jungtį nuo žvakės (žr. skyrių „Uždegimo žvakės patikrinimas“).

Visuomet mėvėkite apsaugines pirštines!

Niekada nenaudokite gazolino, benzino, tirpiklio, spirito arba panašių medžiagų. Gali atsirasti išblukimų, deformacijų arba įtrūkimų.

Norėdami užtikrinti ilgą įrenginio tarnavimo laiką ir išvengti jo gedimų, reguliariai atlikite toliau nurodytus techninės priežiūros darbus.

Kasdienis tikrinimas ir techninė priežiūra

- Prieš pradėdami dirbti, patikrinkite, ar neatsilaisvino įrenginio varžtai arba, ar netrūksta kokių nors dalių. Ypač atkreipkite dėmesį, ar tvirtai uždėtas nurodytas priedas.
- Prieš pradėdami darbą, visuomet patikrinkite, ar neužkištos oro įleidimo angos ir veleno briaunos. Jeigu reikia, išvalykite jas.
- Kasdien po naudojimo atlikite šiuos tikrinimo darbus:
 - Nuvalykite daugiafunkcę benzininę galvutę ir apžiūrėkite ją, ar nėra degimų.
 - Išvalykite oro filtrą. Dirbdami ten, kur kyla labai daug dulkių, valykite filtrą keliskart per dieną.
 - Patikrinkite, ar skirtumas tarp tuščiosios eigos ir darbo greičio yra pakankamas, kad įsitikintumėte, jog varikliui veikiant be apkrovų, priedas nesisuka (jei reikia, sumažinkite tuščiosios eigos apskukas). Jei varikliui veikiant be apkrovų pjovimo įrankis vis tiek sukūsi, susisiekite su artimiausiu įgaliotuoju techninio aptarnavimo atstovu.
- Patikrinkite, kaip veikia I-O jungiklis, blokavimo svirtis ir valdymo svirtis.

VARIKLIO ALYVOS KEITIMAS

Nešvari variklio alyva žymiai sutrumpina slenkamųjų ir judamųjų variklio dalių tarnavimo laiką. Būtinai reguliariai tikrinkite alyvos kokybę ir jos lygį variklyje.



DĖMESIO: Paprastai išjungus variklį, pagrindinis variklio blokas ir variklio alyva vis dar bus labai įkaitę. Keisdami alyvą, būtinai įsitikinkite, ar variklio blokas ir variklio alyva yra pakankamai atvėsę. Kitaip galite apsidiegti.

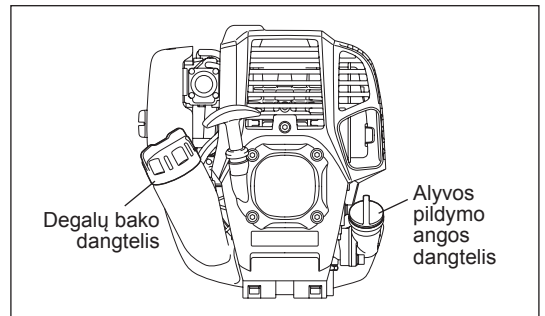
Pastaba: Jei alyvos pripilsite per daug, ji gali būti užteršta arba ji gali užsidegti nuo benzino garų.

Keitimo intervalas: Pradžioje kad 20 darbo valandų, vėliau – kas 50 darbo valandų

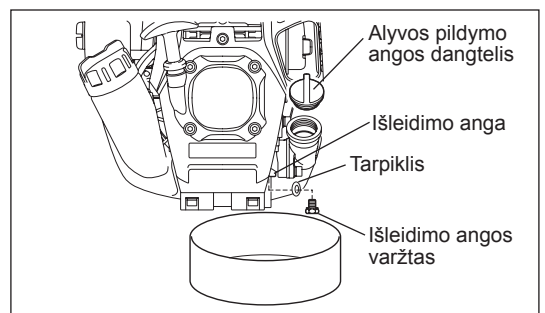
Rekomenduojama alyva: API klasifikacijos alyva, kurios klampumas pagal SAE yra 10W-30, SF arba aukštesnės klasės (skirta 4-takčiams automobilių varikliams)

Keisdami, atlikite šiuos veiksmus.

- 1) Patikrinkite, ar tvirtai užsukote degalų bakelio dangtelį.
- 2) Pastatykite po išleidimo anga didelį indą (puodą ar pan.).

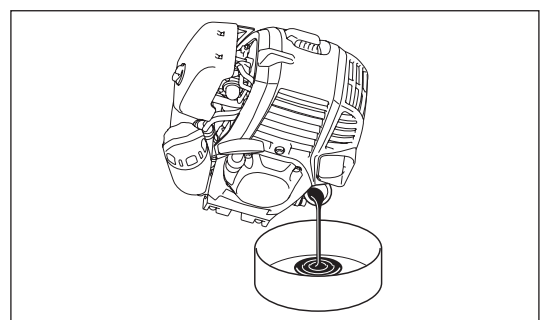


- 3) Atsukite išleidimo angos varžtą, tuomet atsukite alyvos pildymo angos dangtelį ir išleiskite alyvą pro išleidimo angą. Šiuo metu būtinai tinkamai uždėkite išleidimo angos varžto tarpiklį ir būkite atsargūs, kad nesuteptumėte kitų nuimtų dalių.
- 4) Išleidę visą alyvą, sumonuokite tarpiklį ir išleidimo angos varžtą ir tvirtai įsukite išleidimo angos varžtą, kad jis neatsilaisvintų ir alyva neištekėtų.
* Skudurėliu nuvalykite alyvą nuo įsukto varžto ir įrenginio.

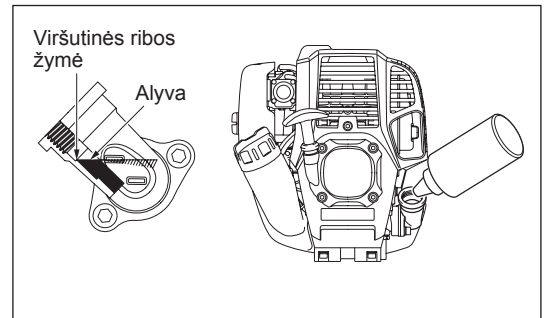
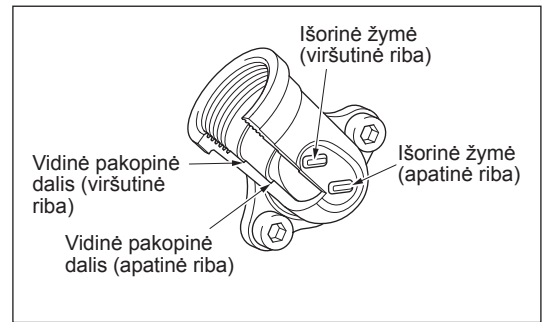


Alternatyvus alyvos išleidimo būdas

Atsukite alyvos pildymo angos dangtelį, paverskite daugiafunkcę benzininę galvutę alyvos filtro angos link ir išleiskite alyvą. Išleiskite alyvą į indą.



- 5) Pastatykite variklį lygiai ir palaipsniui iki viršutinės ribos žymės pripilkite švarios alyvos.
- 6) Pripylę, tvirtai užsukite alyvos dangtelį, kad jis neatsilaisvintų ir alyva neištekėtų.
Jeigu alyvos dangtelis nebus tvirtai užsuktas, pro jį gali tekėti alyva.



NURODYMAI, KAIP TEPTI

- Niekomet nepilkite variklio alyvos į šiukšlių dėžę, ant žemės ar į nuotėkų vamzdį. Alyvos išmetimo taisyklės reglamentuojamos pagal įstatymą. Išpildami seną alyvą, visuomet vadovaukitės atitinkamais įstatymais ir reglamentais. Jei kiltų kokių nors klausimų, susisiekite su įgaliojumu techninio aptarnavimo atstovu.
- Alyvos kokybė prastėja net tada, kai ji nenaudojama. Reguliariai tikrinkite ir keiskite alyvą (pakeiskite alyvą kas 6 mėnesius).

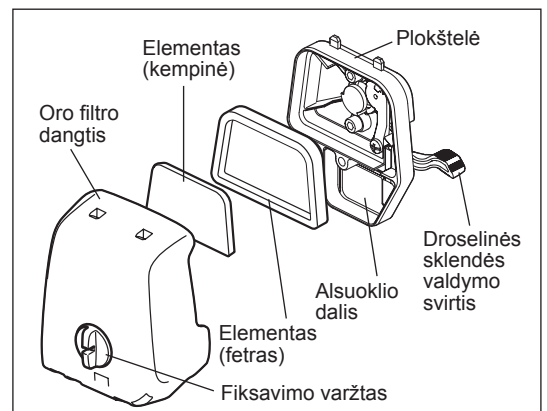
ORO FILTRO VALYMAS



PAVOJUS: GRIEŽTAI DRAUDŽIAMA NAUDOTI BET KOKIAS DEGIAS MEDŽIAGAS

Valymo ir tikrinimo intervalas: kasdien (kas 10 darbo valandų)

- Pasukite droselinės sklendės svirtį į visiško uždarymo pusę ir saugokite karbiuratorių nuo dulkių ar purvo.
- Atsukite fiksavimo varžtą.
- Nuimkite oro filtro dangtelį, patraukdami už apatinės jo pusės.
- Išimkite elementus ir patapšnokite juos, kad nukristų purvas.
- Jeigu elementai labai purvini:
Išimkite elementus, panardinkite jų į šiltą vandenį arba vandens ir neutralios plovimo priemonės tirpalą, paskui gerai juos išdžiovinkite. Plaudami jų negręžkite ir netrinkite.
- Prieš pradėdami montuoti elementus, būtinai visiškai juos išdžiovinkite. Nepakankamai išdžiovintus elementus, gali būti sunku užvesti variklį.
- Nuvalykite ant oro filtro dangtelio ir alsuoklio dalies patekusią alyvą medžiagos skiautele.
- Įdėkite elementą (kempinę) į elementą (fetrą).
Įtaisykite elementus plokštėje taip, kad kempinė būtų nukreipta oro filtro dangtelio link.
- Tuoj pat uždenkite filtro dangtelį ir priveržkite jį fiksavimo varžtais.
(Sumontuodami dalis, pirmiausia įdėkite viršutinį kumštelį, tuomet apatinį.)



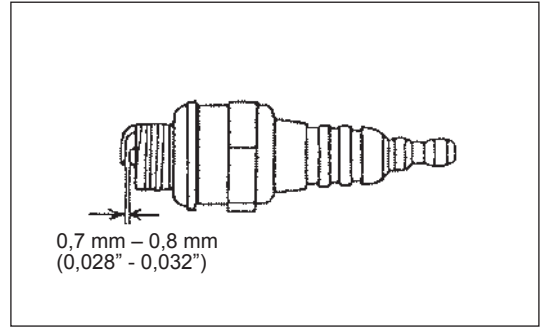
PASTABA:

- Valykite elementus keliskart per dieną, jeigu jie labai užteršti dulėmis. Purvini elementai mažina variklio galią ir sunkina variklio užvedimą.
- Nuvalykite ant elementų patekusią alyvą. Jeigu dirbsite į įrenginį įdėję elementus, nenuvalę nuo jų alyvos, oro filtre esanti alyva gali ištekėti ir užteršti aplinką.
- Nedėkite elementų ant žemės arba purvinoje vietoje. Kitaip jie susitaps arba užsiterš ir galės sugadinti variklį.
- Elementams valyti niekada nenaudokite degalų. Degalai juos sugadins.

UŽDEGIMO ŽVAKĖS PATIKRINIMAS

- Uždegimo žvakę montuokite arba išsukite naudodami tik pateiktą universalų veržliaraktį.
- Tarpelis tarp dvejų uždegimo žvakės elektrodų turi būti 0,7–0,8 mm (0,028" - 0,032"). Jei tarpelis yra per didelis arba per mažas, pereguliuokite jį. Jei uždegimo žvakė yra apnešta suodžiais ar užteršta, kruopščiai nuvalykite ją arba pakeiskite nauja.

PERSPĖJIMAS: Niekada nelieskite uždegimo žvakės jungties, kai variklis veikia (labai didelė įtampa gali sukelti elektros smūgį).



DEGALŲ FILTRO VALYMAS

ĮSPĖJIMAS: GRIEŽTAI DRAUDŽIAMA NAUDOTI BET KOKIAS DEGIAS MEDŽIAGAS

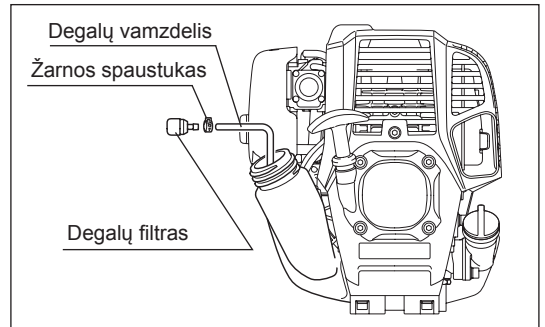
Valymo ir tikrinimo intervalas: kas mėnesį (kas 50 darbo valandų)

Įsiurbimo galvutė degalų bake

Reguliariai tikrinkite degalų filtrą. Norėdami patikrinti degalų filtrą, atlikite toliau nurodytus veiksmus.

- (1) Nuimkite degalų bakelio dangtelį ir visiškai išleiskite degalus iš bakelio. Patikrinkite, ar bakelio viduje nėra pašalinių medžiagų. Jeigu jų būtų, pašalinkite jas.
- (2) Pro bakelio angą vieliniu kabliuku ištraukite įsiurbimo galvutę.
- (3) Jeigu degalų filtras šiek tiek užsikimšęs, išvalykite jį. Norėdami jį išvalyti, atsargiai pakratykite ir patapšnokite jį degaluose. Negręžkite ir netrinkite jo, kad jo nepažeistumėte. Valymui skirtus degalus privaloma išpilti taip, kaip nurodyta jūsų šalyje galiojančiose taisyklėse. Jeigu degalų filtras būtų sukietėjęs arba smarkiai užterštas, pakeiskite jį nauju.
- (4) Patikrinę, išvalę arba pakeitę degalų filtrą, įstumkite jį į patį degalų bakelio dugną.

Užsikimšęs arba pažeistas degalų filtras gali sutrikdyti tinkamą degalų tiekimą ir sumažinti variklio galią. Keiskite degalų filtrą bent kas tris darbo mėnesius, kad būtų užtikrintas pakankamas degalų tiekimas į karbiuratorių.



DEGALŲ VAMZDELIO KEITIMAS

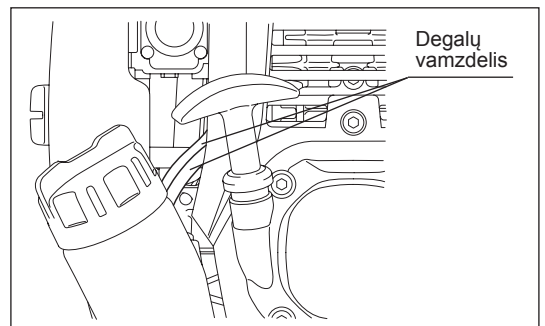
PERSPĖJIMAS: GRIEŽTAI DRAUDŽIAMA NAUDOTI BET KOKIAS DEGIAS MEDŽIAGAS

Valymo ir tikrinimo intervalas: kasdien (kas 10 darbo valandų)

Keitimas: kas metus (kas 200 darbo valandų)

Keiskite degalų vamzdelį kasmet, nesvarbu, kaip dažnai naudojate įrenginį. Ištekėję degalai gali sukelti gaisrą.

Jei tikrindami pastebėtumėte nuotėkį, tuoj pat pakeiskite degalų vamzdelį.



VARŽTŲ, VERŽLIŲ IR SKLENDŽIŲ TIKRINIMAS

- Priveržkite atsilaisvinusias sklendes, veržles, varžtus ir pan.
- Patikrinkite, ar nėra degalų ar alyvos nuotėkio.
- Norėdami saugiai dirbti, pakeiskite sugadintas dalis naujomis.

DALIŲ VALYMAS

- Variklis turi būti visuomet švarus.
- Valykite dulkes ar purvą nuo velenų briaunų. Ant briaunų susikaupę dulės ar purvas gali sukelti stūmoklių strigimą.

TARPIKLIŲ IR SANDARIKLIŲ KEITIMAS

Montuojant išmontuotas variklio dalis, būtinai pakeiskite tarpikius ir sandariklius.

Bet kokius techninės priežiūros ir reguliavimo darbus, nenurodytus ir neaprašytus šiame vadove, privalo atlikti tik įgaliotasis techninės priežiūros atstovas.

SANDĖLIAVIMAS

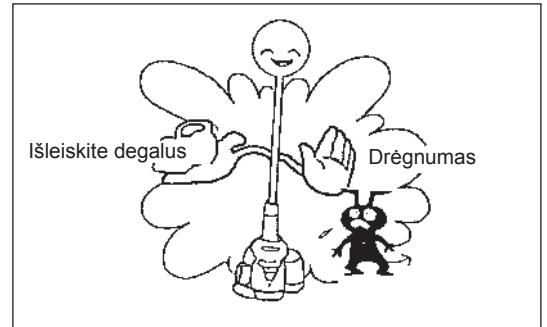


ĮSPĖJIMAS: Išleisdami degalus, būtinai išjunkite variklį ir palaukite, kol jis atvės. Išjungus variklį, jis vis dar bus karštas, todėl galimi nudeginimai, padegimai ir gaisras.



DĖMESIO: Kai įrenginys ilgai nenaudojamas, išleiskite iš degalų bako ir karbiuratoriaus visus degalus ir laikykite jį sausoje, švarioje vietoje.

- Išleiskite degalus iš degalų bako ir karbiuratoriaus, kaip nurodyta toliau:
 - 1) Nuimkite degalų bako dangtelį ir išleiskite degalus. Jei degalų bake lieka nuosėdų, išvalykite jas.
 - 2) Iš vielos sulenktu kabliuku ištraukite degalų filtrą pro pildymo angą.
 - 3) Spauskite degalų tiekimo siurbį, kol iš jo bus išpumpuoti visi degalai, ir išleiskite į degalų baką gražintus degalus.
 - 4) Įdėkite filtrą į degalų baką ir tvirtai užsukite degalų bako dangtelį.
 - 5) Tuomet užveskite variklį ir leiskite jam veikti tol, kol jis užges.
- Ištraukite uždegimo žvakę ir įlašinkite kelis lašus alyvos pro uždegimo žvakės angą.
- Švelniai patraukite už starterio rankenėlės, kad variklio alyva būtų paskirstyta visame variklyje, ir vėl sumontuokite uždegimo žvakę.
- Nenustatykite svirties į fiksavimo padėtyje, kai priedas neįdėtas. Svirčiai esant fiksavimo padėtyje, kai priedas neįdėtas, negalima uždėti priedo vamzdinio veleno.
- Šį prietaisą paprastai reikėtų laikyti horizontalioje padėtyje. Jeigu tai neįmanoma, padėkite prietaisą taip, kad jo variklis būtų žemiau pjovimo įrankio. Antraip iš variklio gali ištekėti variklio alyva.
- Prietaisą visada laikykite saugioje vietoje, kad apsaugotumėte jį nuo sugadinimo ir patys nesusižeistumėte.
- Išpildus degalus laikykite specialiame degalų bake, gerai vėdinamoje patalpoje.



Į ką reikėtų atkreipti dėmesį pradedant naudoti ilgai nenaudotą įrenginį

- Prieš užvesdami įrenginį po to, kaip jis buvo ilgai nenaudojamas, būtinai pakeiskite alyvą (žr. 116 psl.). Alyvos kokybė prastėja net tada, kai įrenginys nenaudojamas.

Gedimų nustatymas

Gedimas	Sistema	Požymis	Priežastis
Neužsiveda variklis arba sunkiai užsiveda	Uždegimo sistema	Uždegimo žvakė veikia tinkamai Uždegimo žvakė nesukelia kibirkšties	Gedimas degalų tiekimo arba kompresijos sistemoje, mechaninis defektas Įjungtas IŠJUNGIMO jungiklis, laidų jungimo gedimas arba trumpasis jungimas, sudegusi uždegimo žvakė arba sugedusi jungtis, uždegimo modulio gedimas
	Degalų tiekimas	Degalų bakas pilnas	Netinkama droselinės sklendės padėtis, karbiuratoriaus gedimas, sulankstyta arba užkišta degalų tiekimo linija, nešvarūs degalai.
	Kompresija	Patraukus, nėra kompresijos	Sugedęs cilindro apatinis tarpiklis, pažeisti karterio sandarikliai, sugadinti cilindro arba stūmoklių žiedai arba netinkamas uždegimo žvakės sandarinimas
Sunku užvesti šiltą variklį	Mechaninis gedimas	Starteris neužsiveda Bakas pilnas, uždegimo žvakė veikia	Nutrūko starterio spyruoklė, nutrūko dalys variklio viduje Užterštas karbiuratorius - atiduokite jį išvalyti
Variklis užsiveda, bet užgęsta	Degalų tiekimas	Bakas pilnas	Netinkamas tuščiosios eigos nustatymas, užterštas karbiuratorius Sugadinta degalų bako ventilacijos anga, užkišta degalų tiekimo linija, nutrauktas laidas arba sugedęs IŠJUNGIMO jungiklis
Nepakankamas darbas	Vienu metu gali būti pažeistos kelios sistemos	Variklis prastai veikia be apkrovų	Užterštas oro filtras, užterštas karbiuratorius, užkištas duslintuvai, užkištas cilindre esantis išleidimo kanalas

Darbo laikas	Punktas	Prieš naudojimą	Po tepimo	Kasdieninė (kas 10 darbo val.)	30 val.	50 val.	200 val.	Išjungimas/pertrauka	Atitinkamas psl.
Variklio alyva	Patikrinti	○							112
	Pakeiskite					○*1			116
Tvirtinimo dalys (varžtai, veržlės)	Patikrinti	○							118
Degalų bakas	Valyti/patikrinti	○							—
	Išleiskite degalus							○*3	119
Droselinės sklendės svirtis	Tikrinti, kaip veikia		○						—
Išjungimo jungiklis	Tikrinti, kaip veikia		○						115
Sukimasis mažu greičiu	Patikrinti/pareguliuoti			○					115
Oro filtras	Išvalykite			○					117
Uždegimo žvakė	Patikrinti			○					118
Aušinimo oro įleidimo anga	Valyti/patikrinti			○					118
Degalų vamzdelis	Patikrinti			○					118
	Pakeiskite						◎*2		—
Degalų filtras	Valyti/pakeisti					○			118
Tarpas tarp oro įleidimo vožtuvo ir oro išleidimo vožtuvo	Pareguliuokite						◎*2		—
Kapitalinis variklio remontas							◎*2		—
Karbiuratorius	Išleiskite degalus							○*3	119

*1 Pakeiskite po pirmųjų 20 darbo valandų.

*2 Po 200 darbo valandų atiduokite įrenginį įgaliojamam techninės priežiūros atstovui arba įrenginių dirbtuvei, kad jį patikrintų.

*3 Ištuštinę degalų baką, leiskite varikliui veikti tol, kol degalų neliks nei degalų sistemoje, nei karbiuratoriuje, ir variklis užges.

Perskaitykite kiekvieno priedo naudojimo instrukciją ir, juos naudodami, atlikite jų techninę priežiūrą.

TRIKČIŲ DIAGNOSTIKA

Prieš kreipdamiesi dėl remonto darbų, patikrinkite gedimus patys. Jei aptiktumėte degimą, pareguliuokite įrenginį, kaip aprašyta šiame vadove. Niekada neardykite ir neišmontuokite jokių dalių, jei tai prieštarauja instrukcijoje pateiktam aprašymui. Dėl remonto darbų susisieki su įgaliotuoju techninio aptarnavimo atstovu arba vietos pardavimo atstovu.

Sutrikimas	Galima priežastis (veikimo sutrikimas)	Attaisymas
Variklis neužsiveda	Nepanaudotas degalų tiekimo siurblys	Paspauskite 7–10 kartų.
	Per lėtai patraukta už starterio virvės	Patraukite stipriai, staigiai.
	Trūksta degalų	Pripilkite degalų.
	Užkimštas degalų filtras	Išvalykite
	Sulenktas degalų vamzdelis	Ištiesinkite degalų vamzdelį
	Seni degalai	Naudojant senus degalus, variklį sunkiau užvesti. Senus degalus išpilkite ir pripilkite naujų. Rekomenduojama keisti: kas 1 mėnesį)
	Pernelyg didelis degalų įsiurbimas	Nustatykite droselinės sklendės svirtį iš vidutinio greičio į didelio greičio padėtį ir traukite starterio rankenėlę tol, kol variklis užsives. Užvedus variklį, pradeda sukstis priedas. Būkite atsargūs, kad priedas jūsų nesužeistų. Jeigu variklis neužsiveda, ištraukite uždegimo žvakę, nusauskite elektrodą ir vėl tinkamai sumontuokite dalis. Tuomet užveskite variklį, kaip nurodyta.
	Nuimtas žvakės dangtelis	Tvirtai pritvirtinkite
	Užteršta uždegimo žvakė	Išvalykite
	Netinkamas uždegimo žvakės tarpelis	Pareguliuokite tarpelį
	Kitoks uždegimo žvakės gedimas	Pakeiskite.
	Netinkamai veikiantis karbiuratorius	Kreipkitės į įgaliotuosius atstovus, kad patikrintų ir pataisytų.
	Neįmanoma ištraukti starterio virvės	Kreipkitės į įgaliotuosius atstovus, kad patikrintų ir pataisytų.
	Netinkamai veikianti perdavimo sistema	Kreipkitės į įgaliotuosius atstovus, kad patikrintų ir pataisytų.
Variklio greitai užgęsta Nedidėja variklio apsukos	Variklis nepakankamai įšyla	Atlikite pašildymo oeraciją
	Droselinės sklendės valdymo svirtis yra nustatyta į UŽDARYMO padėtį, nors variklis yra pašildytas.	Nustatykite į ATIDARYMO padėtį
	Užkimštas degalų filtras	Išvalykite arba pakeiskite
	Užterštas arba užkištas oro filtras	Išvalykite
	Netinkamai veikiantis karbiuratorius	Kreipkitės į įgaliotuosius atstovus, kad patikrintų ir pataisytų.
	Netinkamai veikianti perdavimo sistema	Kreipkitės į įgaliotuosius atstovus, kad patikrintų ir pataisytų.
Priedas nesisuka arba nejuda ↓ Tuoj pat išjunkite variklį	Priedas neįkištas iki nurodyto taško.	Įdėkite kaip nurodyta.
Pagrindinis blokas neįprastai vibruoja ↓ Tuoj pat išjunkite variklį	Netinkamai veikianti perdavimo sistema	Kreipkitės į įgaliotuosius atstovus, kad patikrintų ir pataisytų.
	Priedas neįkištas iki nurodyto taško.	Įdėkite kaip nurodyta.
	Atsilaisvino svirtis	Tvirtai prisukite.
Priedas tuoj pat nesustoja ↓ Tuoj pat išjunkite variklį	Netinkamai veikianti perdavimo sistema	Kreipkitės į įgaliotuosius atstovus, kad patikrintų ir pataisytų.
	Didelės apsukos varikliui veikiant be apkrovų	Pareguliuokite
	Atjunkite droselinės sklendės laidą	Tvirtai pritvirtinkite
Variklis neišsijungia ↓ Paleiskite variklį veikti tuščiaja eiga ir nustatykite droselinės sklendės valdymo svirtį į UŽDARYMO padėtį	Netinkamai veikianti perdavimo sistema	Kreipkitės į įgaliotuosius atstovus, kad patikrintų ir pataisytų.
	Nukritusi jungtis	Tvirtai pritvirtinkite
	Netinkamai veikianti elektros sistema	Kreipkitės į įgaliotuosius atstovus, kad patikrintų ir pataisytų.

Jie variklis neužsiveda po jo pašildymo operacijos:

Jei neaptinkate jokių gedimų, atidarykite droselinį sklendę maždaug 1/3 ir paleiskite variklį.














Täname teid, et ostsite MAKITA universaalse mootorajami. Meil on hea meel, et saame teie hoolde usaldada MAKITA universaalse mootorajami, mis on pikaajalise arendustöö ning paljude aastate teadmiste ja kogemuste tulemus. Palun lugege käesolevat brošüüri, milles viidatakse üksikasjalikult erinevatele punktidele, mis tõestavad seadme silmapaistavat suutlikkust. Selle abil saavutate oma MAKITA universaalse mootorajamiga töötamisel parima tulemuse.



Sisukord	Lehekülg
Sümbolid.....	122
Ohutusjuhised.....	123
Tehnilised andmed.....	126
Heakskiidetud tarvikud	127
Osade nimetused	128
Käepideme paigaldamine	129
Tarviku paigaldamine.....	129
Lahtimonteerimine	130
Enne seadme käivitamist.....	131
Seadme õige käsitsemine	133
Olulised punktid seadmega töötamisel ja seiskamine.....	133
Hooldusjuhendid.....	136
Säilitamine	139

SÜMBOLID

Kasutusjuhendis on kasutatud järgmisi sümboleid.

	Lugege kasutusjuhendit ning järgige hoiatusi ja ettevaatusabinõusid!		Kandke kaitsekiivrit, kaitseprille ja kuulmiskaitsevahendeid!
	Olge äärmiselt ettevaatlik ja tähelepanelik!		Kütus (bensiin)
	Keelatud!		Mootori käivitamine
	Suitsetamine keelatud!		Avariiseiskamine
	Hoiduge lahtise tule eest!		Esmaabi
	Kandke kaitsekindaid!		SISSELÜLITAMINE/KÄIVITAMINE
	Kandke tugevaid libisemiskindla tallaga jalatseid. Kandke terasest kaitsmega kaitsejalatseid!	○	VÄLJALÜLITAMINE/SEISKAMINE
	Ärge lubage kõrvalisi isikuid ja lemmikloomi tööpiirkonda!		

Seadme kavandatud kasutus

Universaalne mootorajam on ette nähtud käesolevas kasutusjuhendis nimetatud heakskiidetud tarviku käitamiseks. Ärge kasutage masinat mõnel muul otstarbel.

OHUTUSJUHISED

Üldised juhised

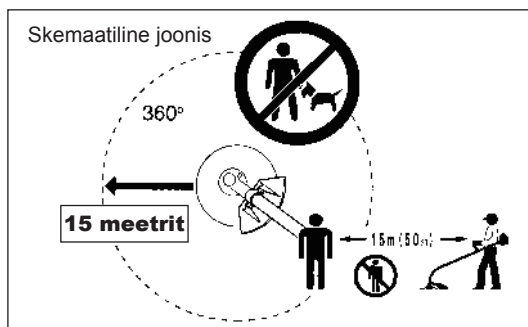
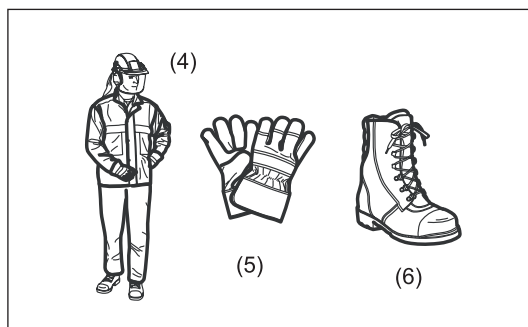
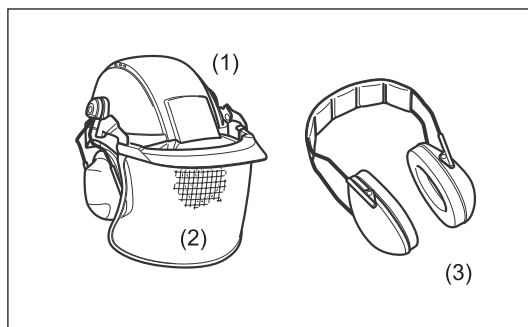
- Seadme nõuetekohase talitluse tagamiseks peab kasutaja lugema käesolevat kasutusjuhendit, et viia ennast kurssi universaalse mootorajami käsitsemisega. Ebapiisavalt informeeritud kasutajad võivad seadme vale käsitsemise tõttu seada ohtu nii iseennast kui ka teisi isikuid.
- Soovitame, et laenutaksite universaalset mootorajamit ainult nendele isikutele, kes oskavad seda seadet käsitseda. Andke kasutusjuhend alati kaasa.
- Esmakordsed kasutajad peaksid müügiesindajal laskma endale tutvustada universaalse mootorajami tööpõhimõtteid ja omadusi, et ennast seadme käsitsemisega kurssi viia.
- Lastel ja alla 18-aastastel noorukitel ei ole lubatud universaalse mootorajamiga töötada. Üle 16-aastased isikud võivad seadet siiski kasutada, kuid väljaõppe otstarbel ja kvalifitseeritud juhendaja järelevalve all.
- Kasutage universaalset mootorajamit äärmiselt ettevaatlikult ja tähelepanelikult.
- Kasutage universaalset mootorajamit ainult siis, kui olete heas füüsilises seisundis. Töötage rahulikult ja ettevaatlikult. Universaalse mootorajami kasutaja on vastutav kolmandate isikute ees.
- Ärge kunagi kasutage universaalset mootorajamit siis, kui olete tarvitanud alkoholi või ravimeid, või kui tunnete ennast väsinuna või olete haige.
- Riiklikud määrused võivad seada piiranguid antud seadme kasutamisele.

Isikukaitsevahendid

- Kantav riietus peab vastama töö iseloomule ja olema sobilik, s.t see peaks olema keha järgiv, kuid ei tohiks takistada töötamist. Ärge kandke ehteid ega riietust, mis võivad takerduda pöösastesse või võsasse.
- Et vältida pea-, silma-, käe- ja jalavigastusi ning selleks, et kaitsta oma kuulmiselundeid, tuleb töötamisel universaalse mootorajamiga kasutada järgmist kaitsevarustust ja -riietust.
- Kandke alati kaitsekiivrit, kui esineb kukkuvate esemete oht. Kaitsekiivrit (1) tuleb regulaarselt kontrollida vigastuste suhtes ning asendada see vähemalt iga 5 aasta järel. Kasutage ainult heakskiidetud kaitsekiivreid.
- Kiivri (või kaitseprillide) näokate (2) kaitseb nägu laialipaiskuvate lõikamisjääkide ja kivide eest. Töötamisel universaalse mootorajamiga kandke alati kaitseprille või näokatet, et vältida silmade vigastamist.
- Kandke nõuetekohaseid kuulmiskaitsevahendeid, et vältida kuulmise kahjustamist (kõrvklapid (3) kõrvatropid jms).
- Töökombinesoon (4) kaitseb laialipaiskuvate kivide ja lõikamisjääkide eest. Meie soovitame kasutajal kindlasti kanda spetsiaalset töökombinesooni.
- Spetsiaalsed paksust nahast valmistatud kaitsekindad (5) on üks osa ettenähtud varustusest, mida tuleks alati kanda, kui töötate universaalse mootorajamiga.
- Kui kasutate universaalset mootorajamit, kandke vastupidavaid libisemiskindla tallaga jalanõusid (6). See kaitseb kehavigastuste eest ning tagab kindla jalgealuse.

Universaalse mootorajami käivitamine

- Veenduge, et läheduses ei oleks lapsi ega teisi isikuid ning pöörake tähelepanu ka tööpiirkonnas viibivatele loomadele.
- Veenduge, et külgeühendatav tarvik on kinnitatud õigesti oma kohale. Kontrollige, et juhthoob liiguks vabalt ning et lahtilukustuse hoob funktsioneeriks nõuetekohaselt.
- Külgeühendatav tarvik ei tohi tühikäigul kaasa pöörelda. Kui kahtlete, siis kontrollige reguleerimist koos oma müügiesindajaga. Kontrollige, kas käepidemed on puhtad ja kuivad, ning testige käivitamise/seiskamise lüliti funktsioneerimist.

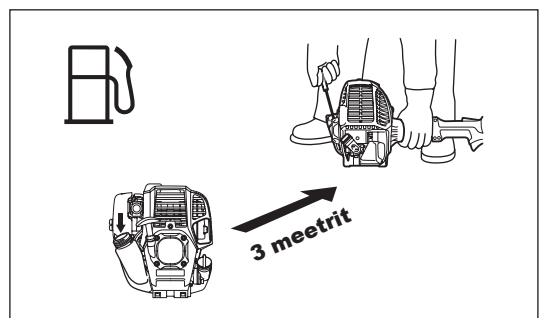
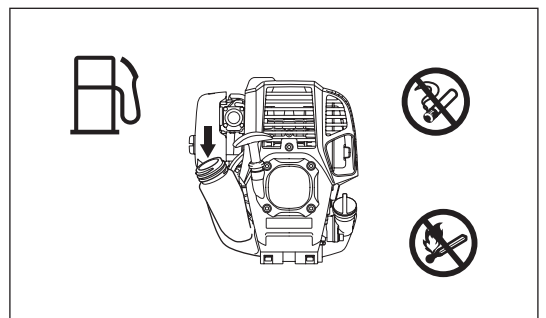
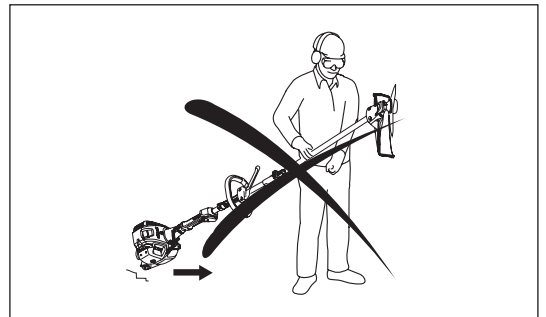
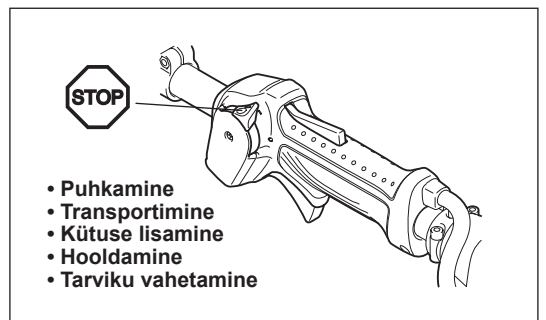
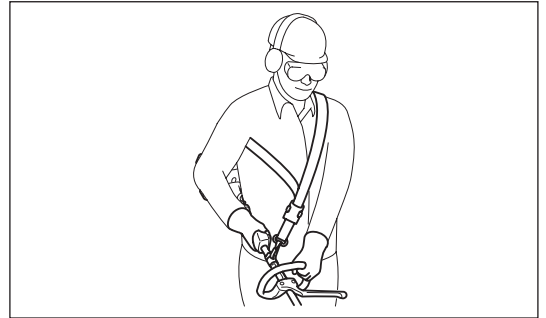
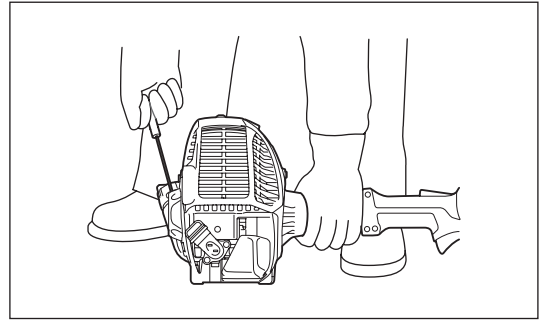


Käivitage universaalne mootorajam ainult vastavalt juhiste.

- Ärge kasutage mootori käivitamiseks teisi meetodeid!
- Kasutage universaalset mootorajamit ja tarvikuid ainult nendeks töödeks, milleks need on ette nähtud.
- Käivitage universaalse mootorajami mootor alles pärast monteerimise lõpetamist. Seadmega võib töötada alles pärast kõigi nõuetekohaste tarvikute kinnitamist!
- Enne käivitamist veenduge, et külgeühendatud tarvik ei puutu vastu kõvasid esemeid (näiteks oksad, kivid jne), sest tarvik hakkab käivitamisel pöörlema.
- Mootor tuleb mootori probleemide esinemisel kohe välja lülitada.
- Kui tarvik peaks tabama kive või muid kõvasid esemeid, siis lülitage mootor kohe välja ja kontrollige tarvikut.
- Kasutage universaalset mootorajamit koos kandevõõga, mis reguleeritakse parajaks enne universaalse mootorajami kasutamist. Kandevõõ tuleb reguleerida kasutaja kasvu järgi, et vältida töötamisel kiiret väsimist. Ärge kunagi hoidke mootorajamit töötades vaid ühe käega.
- Hoidke universaalset mootorajamit töötamise ajal alati mõlema käega. Jälgige kogu töötamise vältel, et seisaksite kindlalt.
- Kasutage universaalset mootorajamit nii, et te töötamise ajal heitgaase sisse ei hingaks. Ärge käivitage mootorit suletud ruumides (mürgistuse oht). Süsinikmonooksid on lõhnatu gaas.
- Lülitage mootor välja, kui puhkate või jätate universaalse mootorajami järelevalveta, ning paigutage seade ohutusse kohta, kus see kedagi ei ohustaks ning kus see oleks kaitstud kahjustuste eest.
- Ärge kunagi asetage kuumat mootorajamit kuivale rohule ega teistele süttivatele materjalidele.
- Kõik seadmega kaasasolevad kaitseesadised ja kaitsekatted peavad töötamise ajal olema paigaldatud.
- Ärge käivitage mootorit, kui summuti on katki.
- Transportimise ajal peab mootor olema välja lülitatud.
- Pikkadel vahemaadel transportimise ajal tuleb alati kasutada varustusse kuuluvat tarviku kaitset.
- Autoga transportimisel paigutage universaalne mootorajam ohutusse asendisse, et vältida kütuse lekkimist.
- Universaalse mootorajami transportimisel veenduge, et kütusepaak on täielikult tühjendatud.
- Universaalse mootorajami mahalaadimisel ärge laske mootoril kukkuda, sest võite kütusepaaki tõsiselt vigastada.
- Välja arvatud hädaolukorras, ärge kunagi laske universaalset mootorajamit kukkuda ega visake seadet maha, sest vastasel juhul võite universaalset mootorajamit tõsiselt kahjustada.
- Pidage meeles, et seadme maast liigutamiseks tuleb tõsta kogu seadet. Kütusepaagi lohistamine on väga ohtlik, sest võib seda kahjustada ning põhjustada lekkimist ja tulekahju ohtu.
- Kui seade saab tugeva löögi või kukub maha, kontrollige enne töö jätkamist selle seisukorda. Kontrollige, kas kütusesüsteemis ei esine lekkeid ning kas juht- ja kaitseesadmed töötavad tõrgeteta. Kahjustuste või kahtluste korral paluge meie volitatud hoolduskeskusel seadet kontrollida ja parandada.

Kütuse lisamine

- Kütuse lisamise ajal peab mootor olema välja lülitatud. Hoiduge lahtisest tulest ja ärge suitsetage.
- Vältige naha kokkupuudet mineraalõlisid sisaldavate toodetega. Ärge hingake kütuseaurue sisse. Kandke kütuse lisamise ajal alati kaitsekindaid. Vahetage ja puhastage kaitseriietust regulaarselt.
- Ärge laske kütust või õli maha voolata, et vältida maapinna saastumist (keskkonnakaitse). Kütusepriismete korral pühkige need kohe universaalset mootorajamilt maha.
- Vältige kütuse sattumist riietele. Kütusega määratud riided tuleb kohe ära vahetada (et vältida nende süttimist).
- Kontrollige regulaarselt, kas kütusepaagi korki saab korralikult kinni keerata ja et see ei lekiks.
- Keerake kütusepaagi kork hoolikalt kinni. Mootori käivitamiseks vahetage seadme asukohta (vähemalt 3 meetri kaugusel kütuse lisamise kohast).
- Ärge kunagi lisage kütust kinnistes ruumides. Kütuseaurud kogunevad põrandale (plahvatusoht).
- Transportige ja säilitage kütust ainult selleks ettenähtud mahutites. Hoidke kütust lastele kättesaamatus kohas.

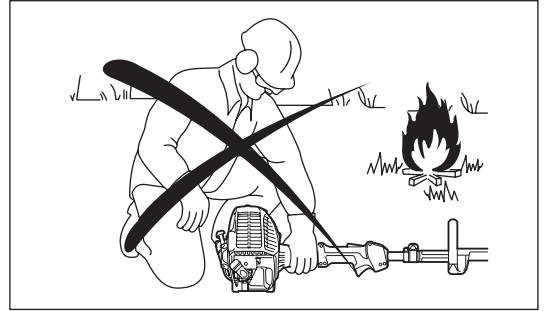


Töömeetod

- Kasutage universaalset mootorajamit ainult hea valguse ja nähtavuse korral. Olge eriti tähelepanelik talvel, kui on libe, märg, jääne ja lumine (libisemisoht). Jälgige kogu töötamise vältel, et seisaksite kindlalt.
- Ärge kunagi seiske redelil, kui käitate universaalset mootorajamit.
- Ärge kunagi ronige puu otsa universaalse mootorajamiga lõikama.
- Ärge töötage kunagi ebakindlal alusel seistes.
- Enne külgeühendatud tarvikuga töö alustamist peab tarvik olema saavutanud täiskiiruse.
- Väsimusest tingitud kontrollikaotuse vältimiseks tehke puhkepause. Soovitame puhata igas tunnis 10–20 minutit.

Hooldusjuhised

- Laske oma seadet hooldada meie volitatud hoolduskeskuses ning kasutage alati ainult originaalseid varuosi. Valesti teostatud remont ja kehv hooldus lühendavad seadme eluiga ning suurendavad õnnetusjuhtumite esinemise ohtu.
- Tagage universaalse mootorajamiga töötamisel, et seadme poolt tekitatava müra ja saaste tasemed oleksid võimalikult madalad. Kontrollige eelkõige karburaatori õiget reguleeritust.
- Puhastage universaalset mootorajamit regulaarselt ning kontrollige, et kõik kruvid ja mutrid oleksid korralikult kinni keeratud.
- Ärge hooldage ega hoidke universaalset mootorajamit lahtise tule lähedal.
- Hoidke universaalset mootorajamit alati lukustatud ruumis ja tühjendatud kütusepaagiga.



Järgige vastava kutseühingu ja kindlustusseltsi poolt välja antud asjakohaseid õnnetuse vältimise eeskirju. Ärge muutke universaalset mootorajamit, sest see võib ohustada teie turvalisust.

Seadme juures on kasutajal lubatud teha ainult neid hooldus- ja remonditöid, mida on kirjeldatud käesolevas kasutusjuhendis. Kõik muud tööd tuleb lasta teha ametlikus teeninduses. Kasutage ainult MAKITA originaalvaruosi ja -tarvikuid.

Teiste firmade varuosade, tarvikute ja lõikeriistade kasutamisel on õnnetuste oht suurem.

MAKITA ei vastuta õnnetuste või kahjude eest, mis tulenevad valede tarvikute või nende kinnitusvahendite või varuosade kasutamisest.

Esmaabi

Võimalike õnnetuste puhuks peab töökohal alati olema esmaabikarp. Asendage kohe kõik vahendid, mille te olete esmaabikarbist ära tarvitanud.

Kui kutsute abi, palun teatage järgmised andmed:

- õnnetuse toimumise koht;
- õnnetuse kirjeldus;
- vigastatud isikute arv;
- vigastuste kirjeldus;
- teie nimi.



Vibratsioon

- Vereringehäiretega isikutel, kes on jäänud liigse vibratsiooni mõju alla, võib esineda veresoonekonna või närvisüsteemi kahjustus. Vibratsioon võib põhjustada sõrmedes, kätes või randmetes järgmiste sümptomite esinemist: „ärasuremine“ (tuimus/tundetuse), kihelemine, valu, torkava valu aisting, naha värvuse või naha muutused. Nimetatud sümptomite ilmnemisel tuleb pöörduda arsti poole!
- Selleks, et vähendada „valgete sõrmede sündroomi“ ohtu, hoidke käed töötamise ajal soojad ning hooldage korralikult oma seadet ja lisatarvikuid.

EÜ VASTAVUSDEKLARATSIOON

Ainult Euroopa riigid

EÜ vastavusdeklaratsioon on lisatud käesolevale kasutusjuhendile lisana A.

TEHNILISED ANDMED EX2650LH

Mudel	EX2650LH	
Käepideme tüüp	Aaskäepide	
Mõõdud: pikkus x laius x kõrgus (ilma lõiketerata) koos kaitsepiirdega	mm	975 x 323 x 241
Mõõdud: pikkus x laius x kõrgus (ilma lõiketerata) ilma kaitsepiirdeta	mm	975 x 242 x 241
Kaal (ilma plastikust kaitsekatte ja lõiketerata)	kg	4,6
Maht (kütusepaak)	l	0,6
Maht (õlimahuti)	l	0,08
Mootori töömaht	cm ³	25,4
Maksimaalne mootori võimsus	kW	0,77 pöörete arvul 7000 min ⁻¹
Mootori kiirus soovitaval võlli maksimaalsel pöörlemissagedusel	min ⁻¹	10000
Tühikäik	min ⁻¹	3000
Sidurdamise kiirus	min ⁻¹	3900
Karburaator	Membraankarburaator	
Süütesüsteem	Kontaktivaba magnetsüüde	
Süüteküünl	tüüp	NGK CMR4A
Elektroodide vahe	mm	0,7 - 0,8
Kütus	Autobensiin	
Mootoriõli	Vähemalt API SF-klassi või SAE koodiga 10W-30 õli (neljataktilisele mootorile)	

Vibratsioon

Tarvik	Parempoolne käepide (tagumine haarats)		Vasakpoolne käepide (eesmine haarats)		Kohaldatavad standardid
	$a_{hv\ eq}$ (m/s ²)	Määramatus K (m/s ²)	$a_{hv\ eq}$ (m/s ²)	Määramatus K (m/s ²)	
EM400MP	6,5	1,2	5,9	1,8	ISO 22867
EM401MP	5,6	2,1	4,8	1,0	ISO 22867
ER400MP	7,1	2,8	5,5	2,7	ISO 22867
EY400MP	9,4	2,0	4,2	2,0	ISO 22867
EY400MP + LE400MP	4,8	2,0	3,4	2,0	ISO 22867
EY401MP	6,5	2,0	3,8	2,0	ISO 22867
EY401MP + LE400MP	5,6	2,0	3,4	2,0	ISO 22867
EN400MP	8,4	1,8	5,0	0,7	ISO 10517
EN400MP + LE400MP	8,0	1,7	4,3	0,7	ISO 10517
KR400MP	5	1,1	4,4	2,3	ISO 22867
EJ400MP	7,1	1,5	4,9	1,5	ISO 22867
EJ400MP + LE400MP	6,4	0,6	4,0	0,7	ISO 22867
EN401MP	8,0	1,7	5,8	1,0	ISO 10517
EN401MP + LE400MP	10,5	1,5	8,0	1,5	ISO 10517
EN410MP	7,4	2,9	4,6	0,9	ISO 10517
EN410MP + LE400MP	10,5	4,1	5,7	2,1	ISO 10517
EN420MP	8,4	1,2	5,7	3,5	ISO 10517
EE400MP	8,6	1,7	3,5	1,6	ISO 22867

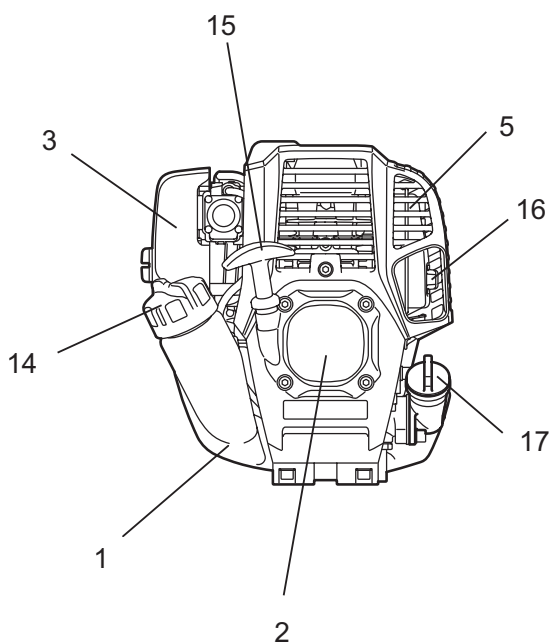
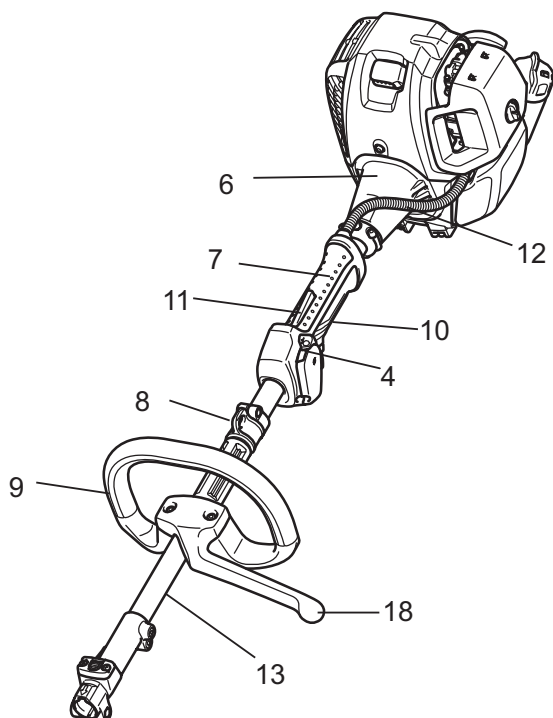
Müra

Tarvik	Keskmise helirõhu tase		Keskmise helivõimsuse tase		Kohaldatavad standardid
	L _{PA,eq} (dB (A))	Määramatus K (dB (A))	L _{WA,eq} (dB (A))	Määramatus K (dB (A))	
EM400MP	95,0	4,4	105,5	3,3	ISO 22868
EM401MP	89,9	3,6	99,7	2,7	ISO 22868
ER400MP	97,9	4,2	106,2	4,0	ISO 22868
EY400MP	93,0	2,5	104,5	2,5	ISO 22868
EY400MP + LE400MP	90,3	2,5	107,8	2,5	ISO 22868
EY401MP	92,6	2,5	104,7	2,5	ISO 22868
EY401MP + LE400MP	90,5	2,5	107,9	2,5	ISO 22868
EN400MP	93,1	4,4	102,9	4,8	ISO 10517
EN400MP + LE400MP	87,8	1,9	103,0	2,0	ISO 10517
KR400MP	93,7	2,6	99,7	1,2	ISO 22868
EJ400MP	89,0	2,3	99,8	1,1	ISO 22868
EJ400MP + LE400MP	88,1	2,2	100,8	2,3	ISO 22868
EN401MP	90,7	1,6	102,1	1,7	ISO 10517
EN401MP + LE400MP	89,2	2,9	102,0	1,6	ISO 10517
EN410MP	87,8	0,8	102,3	1,7	ISO 10517
EN410MP + LE400MP	88,7	1,1	102,9	0,9	ISO 10517
EN420MP	88,7	1,0	101,3	0,7	ISO 10517
EE400MP	89,5	2,0	99,7	2,6	ISO 22868

HEAKSKIIDETUD TARVIKUD

TARVIKUD	Mudelid
Võsalõikuri tarvik	EM400MP, EM401MP
Jõhvtrimmeri tarvik	ER400MP
Hekisaetarvik	EY400MP, EY401MP
Hekitrimmeri tarvik	EN400MP, EN401MP, EN410MP
Trimmeri tarvik	EN420MP
Kultivaatori tarvik	KR400MP
Kohvikoristusmasina tarvik	EJ400MP
Servamistrimmeri tarvik	EE400MP
Võlli pikendamise lisaseadis	LE400MP

EX2650LH



EE	OSADE NIMETUSED
1	Kütusepaak
2	Tagasikerimisega starter
3	Õhupuhasti
4	I-O lüliti (sees/väljas)
5	Summuti
6	Sidurikoda
7	Tagumine haarats
8	Riputi
9	Käepide
10	Seguklapi hoob
11	Lahtilukustuse hoob
12	Juhtkaabel
13	Varras
14	Kütusepaagi kork
15	Starteri nupp
16	Summutitoru
17	Õli täiteava kork
18	Kaitsepiire*

MÄRKUS: Mõnes riigis ei ole kaitsepiiret tööriistaga kaasa pandud.

KÄEPIDEME PAIGALDAMINE

ETTEVAATUST: Enne ükskõik missuguste tööde tegemist universaalse mootorajami kallal, lülitage mootor alati välja ja eemaldage süüteküünla piip.

Kandke alati kaitsekindaid!

ETTEVAATUST: Käivitage universaalne mootorajam alles siis, kui see on täielikult komplekteeritud.

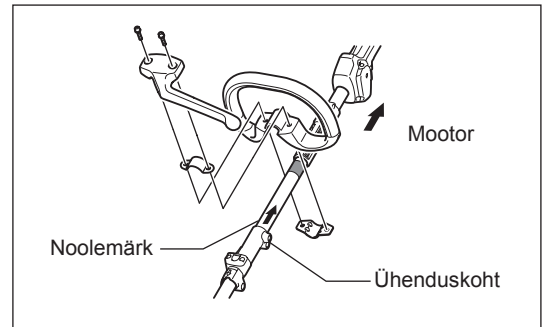


Aaskäepideme monteerimine

- Kinnitage kaitsepiire ja haarats kahe kruvi ja klambritega kindlalt võllitoru külge, kusjuures kaitsepiire tuleb seada seadme vasakule küljele, nagu joonisel on näidatud.
- Veenduge, et haaratsi/kaitsepiirde komplekt paikneb vahevõru ja noolemärgi vahel. Ärge eemaldage ega kahandage vahevõru.
- Pärast paigaldamist ärge kaitsepiiret enam eemaldage.

ETTEVAATUST: Ärge kunagi paigaldage haaratsit sildi ega ühenduskoha peale.

Märkus: Mõnes riigis tarnitakse tööriist ilma kaitsepiirde ja noolemärgita.



TARVIKU PAIGALDAMINE

ETTEVAATUST: Enne ükskõik missuguste tööde tegemist universaalse mootorajami kallal, lülitage mootor alati välja ja eemaldage süüteküünla piip.

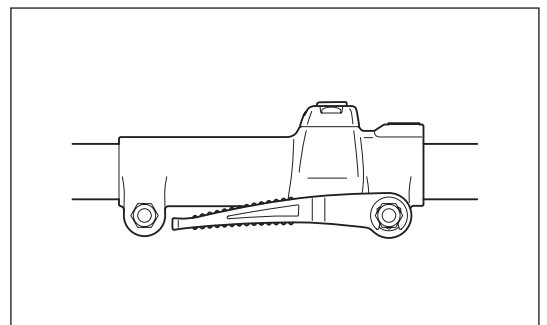
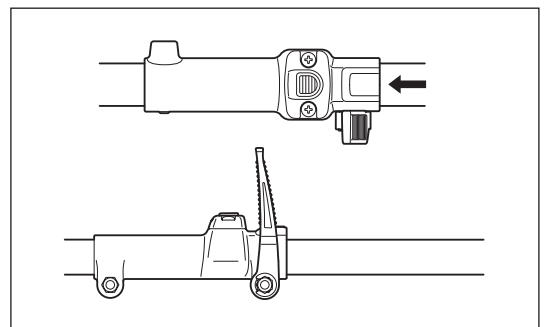
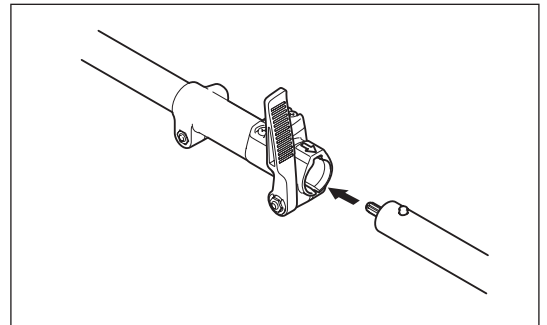
Kandke alati kaitsekindaid!

ETTEVAATUST: Käivitage universaalne mootorajam alles siis, kui see on täielikult komplekteeritud.



Monteerimine

- Vabastage hoob.
- Joondage tarviku tihvt ühenduskoha soonega ja sisestage tihvt.
- Sisestage tarvik, kuni see jääb noole asendisse. Kontrollige, kas nupp on üles kerkinud.
- Pinguldage hoob.
(Vaadake juhendamiseks parempoolset joonist.)

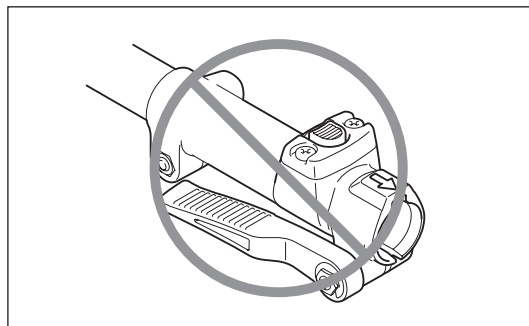
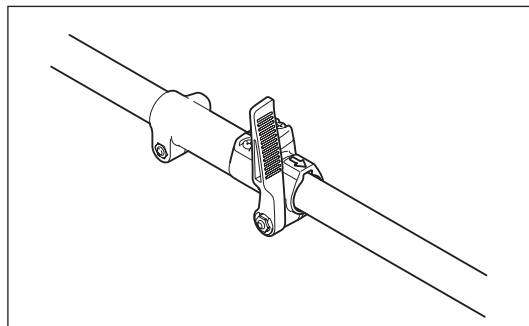


LAHTIMONTEERIMINE

- Vabastage hoob.
- Vajutage nuppu ja eemaldage tarvik.
(Püüdke tarvikut eemaldada võimalikult sirgjooneliselt.)

Märkus:

- Ärge jätke hooba pinguldatud asendisse, kui seade on ilma tarvikuta.



ENNE SEADME KÄIVITAMIST

Mootoriõli kontrollimine ja lisamine

- Teostage järgmised toimingud, kusjuures mootor peab olema maha jahtunud.
- Seadke mootor horisontaalsesse asendisse, eemaldage õli täiteava kork (joon. 1) ja kontrollige, kas õlitase jääb õlitorul olevate ülemise ja alumise taseme märkide vahele (joon. 2).
- Kui õlikogus on ebapiisav (õlitase jääb alumise taseme märgi lähedale), lisage õli kuni ülemise taseme märgini (joon. 3).
- Kuna välimisi märke ümbritsev ala on läbipaistev, siis saab õlikogust kontrollida ilma õli täiteava korki eemaldamata. Kui aga õlitoru on väga määrdunud, võib nähtavus olla halvenenud ning sellisel juhul tuleb õlitaset kontrollida õlitoru astmelise siseosa järgi.
- Soovitame õli lisada umbes iga 10 töötunni järel (iga 10 paagitäie järel).
Kui õli värvus on muutunud või õli on segunenud mustusega, tuleb õli vahetada. (Õli vahetamise intervalli ja meetodit vaadake lk 136)

Soovitav õli: API-kategooria õli SAE 10W-30, SF-klass või kõrgem (4-taktilisele automootorile)

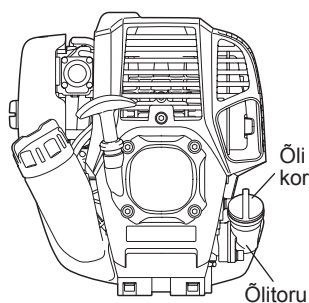
Õli maht: Umbes 0,08 l

Märkus: Kui mootorit ei hoita püstises asendis, võib õli valguda ümber mootori ja õli võidakse lisada liigselt.

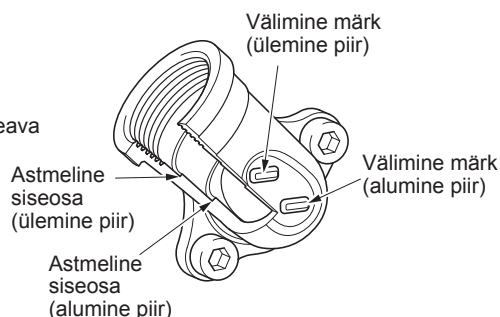
Kui õli on lisatud üle ettenähtud normi, võib õli saastuda või süttida, millega kaasneb valge suitsu eraldumine.

1. oluline punkt õli vahetamisel: „õli täiteava kork“

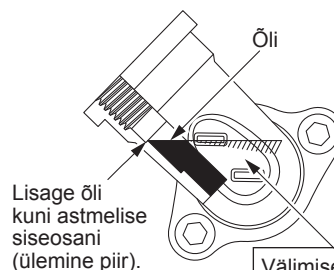
- Puhastage õli täiteava ümbrus tolmust või mullast ning eemaldage õli täiteava kork.
- Hoidke eemaldatud õli täiteava kork puhas liivast või tolmust. Vastasel juhul võib õli täiteava korgile kleepunud liiv või tolm põhjustada ebaühtlast õli ringlust või mootori osade kulumist, mille tagajärjeks on tõrgete esinemine.



Joon. 1



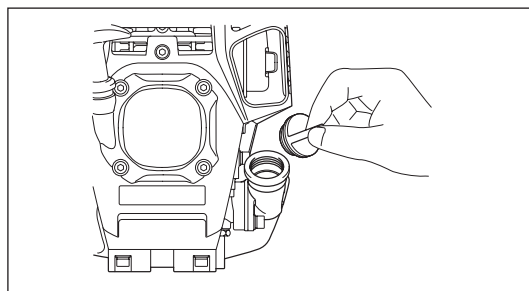
Joon. 2 Õlitoru



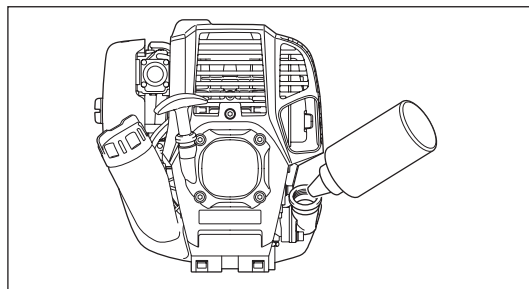
Joon. 3

Välimise ülemise ja alumise taseme märgi vaheline ala on läbipaistev, mis võimaldab õlitaset kontrollida väljastpoolt nende märkide järgi.

- (1) Hoidke mootor horisontaalses asendis ja eemaldage õli täiteava kork.



- (2) Lisage õli kuni ülemise taseme märgini (vt joon. 3).
Kasutage õli lisamiseks õlipudelit.



- (3) Keerake õli täiteava kork korralikult kinni. Ebapiisav pinguldamine võib põhjustada õli lekkimist.

Märkus

- Ärge hoidke mootorit õli vahetamise ajal kallutatud asendis.
- Õli lisamine kallutatud asendis olevasse mootorisse võib põhjustada ületäitmist, mille tagajärjel õli saastub ja/või mootorist hakkab eralduma valget suitsu.

2. oluline punkt õli vahetamisel: „kui õli valgub välja“

- Kui õli valgub kütusepaagi ja mootori vahelt välja, imetakse õli jahutusõhu sissevõtuava kaudu sisse, mis võib mootorit saastada. Enne töö alustamist pühkige väljavalgunud õli kindlasti ära.

KÜTUSE LISAMINE

Kütuse käsitlemine

Kütust tuleb käsitseda äärmiselt ettevaatlikult. Kütus võib sisaldada lahustisarnaseid aineid. Lisage kütust seadmele ainult hästi ventileeritavas ruumis või vabas õhus. Ärge hingake kütuseaure sisse ja hoidke kütust endast eemal. Korduval ja pikaajalisel kokkupuutel kütusega tekib nahakuivus, mille tagajärjeks võivad olla mitmesugused nahahaigused või allergilised reaktsioonid. Kütuse sattumisel silma loputage silma kohe puhta veega. Silma ärritusnähtude püsimisel pöörduge arsti poole.

Kütuse säilitamine

Kütus tuleks ära kasutada 4 nädala jooksul, isegi siis, kui seda hoitakse spetsiaalses kanistris hästi ventileeritavas kohas. Kui spetsiaalset kanistrit ei kasutata või kanister ei ole suletud, võib kütus rikneda ühe päevaga.

SEADME JA BENSIINIKANISTRI SÄILITAMINE

- Hoidke seadet ja bensiinikanistrit jahedas kohas otsese päikesevalguse eest kaitstuna.
- Ärge kunagi hoidke kütust kabiinis või pakiruumis.

Kütus

Seadmel on neljataktiline mootor. Kasutage kindlasti ainult autobensiini (tavaline bensiin või superbensiin).

Olulised punktid kütuse käsitlemisel

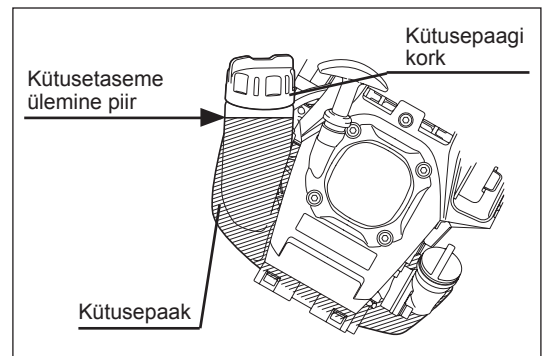
- Ärge kasutage kunagi kütusesegu, mis sisaldab mootoriõli. See võib põhjustada liigse süsiniku kogunemist või mehhaanilisi tõrkeid.
- Riknenud õli kasutamine võib põhjustada tõrkeid käivitamisel.

Kütuse lisamine

HOIATUS: KERGESTI SÜTTIVAD AINED JA MATERJALID ON RANGELT KEELATUD

Kasutatav bensiin: Autobensiin (pliiivaba bensiin)

- Lõdvendage veidi kütusepaagi korki, et väldiksite õhurõhu erinevust.
- Keerake paagi kork ära ja lisage kütust, kallutades kütusepaaki õhu eemaldamiseks nii, et täiteava jääb suunaga ülespoole. (Ärge kunagi lisage kütust paaki kuni täiteava servani.)
- Pühkige paagi kork ja selle ümbrus korralikult puhtaks, et vältida võõrainete sattumist kütusepaaki.
- Pärast kütuse lisamist keerake paagi kork tugevasti kinni.
- Kui paagi kork on mõranenud või muud moodi kahjustunud, siis asendage see.
- Paagi kork kulub kasutamisel ja seetõttu tuleks see iga kahe või kolme aasta tagant välja vahetada.



SEADME ÕIGE KÄSITSEMINE

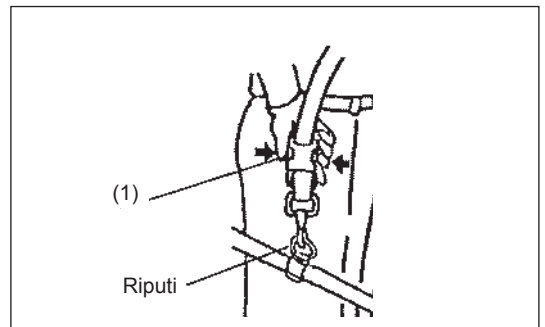
Kandevöö

- Reguleerige kandevöö pikkus parajaks vastavalt teostatavale tööle.

Eraldamine

- Hädaolukorras lükake mõlemal pool asuvatest sälkudest (1) ja eemaldage seade enda juurest.
Olge äärmiselt hoolikas, et sellel ajal seadme üle kontroll säilitada. Ärge laske seadmel kalduda ei enda ega kellegi teise tööpiirkonnas viibija suunas.

HOIATUS: Täieliku kontrolli kaotamine seadme töö üle võib põhjustada tõsise kehavigastuse või lõppeda SURMAGA.



OLULISED PUNKTID SEADMEGA TÖÖTAMISEL JA SEISKAMINE

Järgige asjakohaseid ohutuseeskirju!

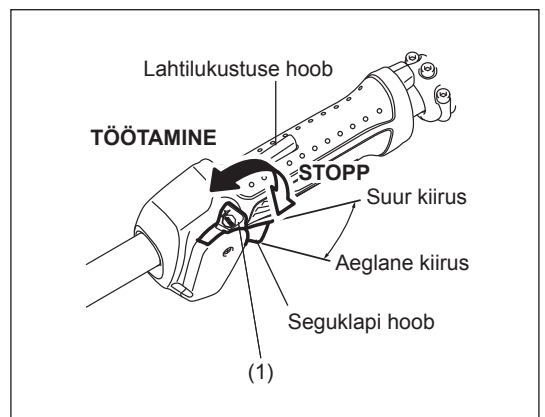


KÄIVITAMINE

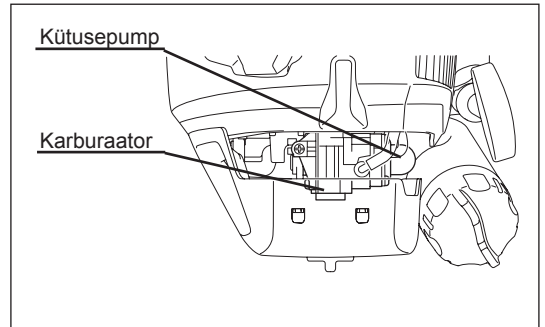
Minge kütuse lisamise kohast vähemalt 3 meetri kaugusele. Asetage universaalne mootorajam maha niimoodi, et külgeühendatud tarvik ei puudutaks pinnast ega teisi esemeid.

A: külmkäivitus

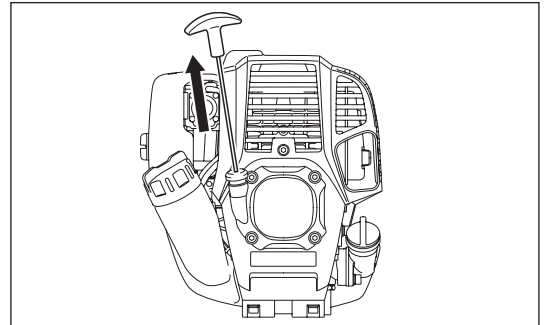
- 1) Seadme ümber peab olema takistustest vaba sile maa-ala.
- 2) Seadke I-O lüliti (1) asendisse „TÖÖTAMINE“.



- 3) Kütusepump
 Jätkake kütusepumbale vajutamist seni, kuni kütus on pumba sisenenud.
 (Tavaliselt siseneb kütus pumba 7–10 vajutuse järel.)
 Kui kütusepumpa liigselt vajutada, voolab liigne bensiin kütusepaaki tagasi.



- 4) Tagasitõmbestarter
 Tõmmake starterinuppu aeglaselt kuni tuntava vastupanuni (survepunkt) välja. Siis tõmmake kiiresti ja jõuliselt edasi.
 Ärge kunagi tõmmake käivitustrossi päris lõpuni välja. Kui olete trossi välja tõmmanud, siis ärge kätt kohe lahti laske. Hoidke starteri nupust kinni, kuni käivitustross on oma lähteasendisse tagasi kerinud.
- 5) Üles soojendamine
 Jätkake üles soojendamist 2–3 minuti jooksul.



Märkus: Kütuse liigse sisselaske korral eemaldage süüteküünal ja tõmmake starteri käepidet aeglaselt, et liigne kütus eemaldada. Kuivatage ka süüteküünla elektroodi piirkond.

Ettevaatust töötamisel!

Kui seguklapi hoob on koormuseta töötamisel täielikult avatud, suureneb mootori pöörde arv kuni 10000 min⁻¹ või rohkem. Ärge töötage ettenähtust suuremal mootorikiirusel ja ärge ületage ligikaudset pöörde arvu 6000–8500 min⁻¹.

B: käivitamine pärast üles soojendamist

- 1) Vajutage mitu korda kütusepumbale.
- 2) Hoidke seguklapi hooba tühikäigul.
- 3) Tõmmake tugevasti tagasitõmbestarterit.
- 4) Kui mootorit on raske käivitada, avage gaasihoob umbes 1/3 ulatuses.
Pöörake tähelepanu külgeühendatud tarvikule, mis võib pöörlema hakata.

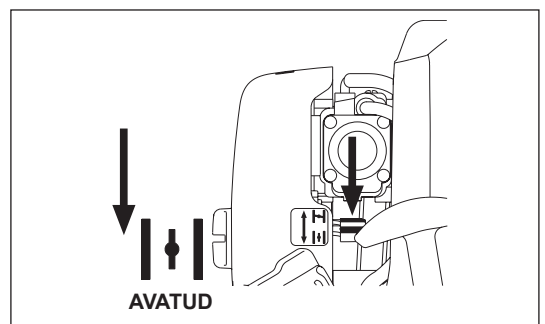
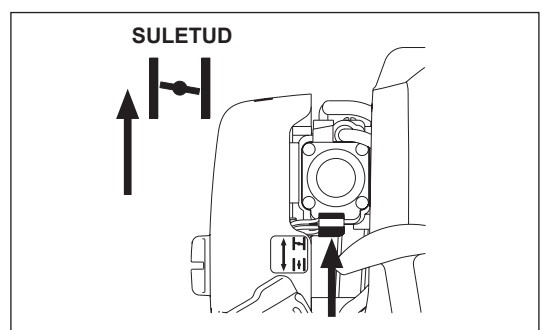
Kui mootorit on raske käivitada (näiteks talvel)

Kasutage mootori käivitamisel õhuklapi hooba vastavalt järgmisele protseduurile.

- Pärast käivitamise etappide 1) ja 3) sooritamist seadke õhuklapi hoob SULETUD asendisse.
- Sooritage käivitamise etapp 4) ja käivitage mootor.
- Kui mootor on käivitanud, seadke õhuklapi hoob AVATUD asendisse.
- Sooritage käivitamise etapp 5) ja lõpetage ülessoojendus.

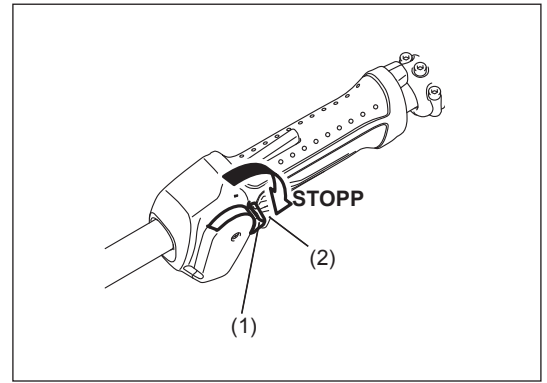
ETTEVAATUST: Kui mootorist kostub paugatus (plahvatuse heli) ja mootor seiskub või siis, kui äsja käivitanud mootor sureb välja enne õhuklapi hoova liigutamist, viige õhuklapi hoob AVATUD asendisse ja tõmmake uuesti starteri nuppu mõned korrad, et mootorit käivitada.

ETTEVAATUST: Kui õhuklapi hoob jäetakse SULETUD asendisse ja korduvalt tõmmatakse starteri nuppu, imetakse sisse liiga palju kütust, mistõttu on mootorit raske käivitada.



SEISKAMINE

- 1) Vabastage seguklapi hoob (2) täielikult ja pärast mootori pöörlemiskiiruse langemist seadke I-O lüliti asendisse STOPP, seejärel mootor seiskub.
- 2) Pidage meeles, et külgeühendatud tarvik ei pruugi kohe seiskuda. Oodake, kuni see aeglaselt tempot maha võttes seiskub.

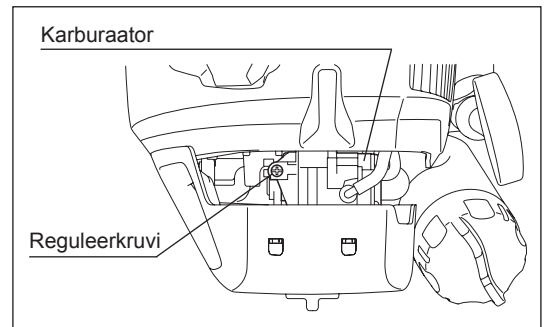


VÄIKESE KIIRUSEGA PÖÖRLEMISE (TÜHIKÄIK) REGULEERIMINE

Kui on vaja reguleerida väikese kiirusega pöörlemist (tühikäik), siis kasutage selleks karburaatori reguleerikruvi.

VÄIKESE KIIRUSEGA PÖÖRLEMISE KONTROLLIMINE

- Seadistage väikese kiirusega pöörlemise pöörete arvuks 3000 min^{-1} . Kui pöörlemise kiirust on vaja muuta, siis reguleerige ristpeakruvikeerajaga reguleerikruvi (vt joonist paremal).
- Keerates reguleerikruvi paremale, mootori pöörlemiskiirus suureneb. Keerates reguleerikruvi vasakule, mootori pöörlemiskiirus väheneb.
- Karburaator on tavaliselt reguleeritud enne seadme tehases väljastamist. Kui seda on vaja uuesti reguleerida, siis palun pöörduge ametliku teeninduse poole.



HOOLDUSJUHENDID

ETTEVAATUST: Enne ükskõik missuguste tööde teostamist universaalse mootorajami kallal lülitage alati välja mootor ja eemaldage süüteküünlapaip (vt „Süüteküünlapaipi kontrollimine“).
Kandke alati kaitsekindaid!
Ärge kunagi kasutage bensiini, vedeldit, alkoholi ega midagi muud sarnast. Selle tulemuseks võib olla luitumine, deformatsioon või pragunemine.

Seadme pika kasutusea tagamiseks ja kahjustuste vältimiseks tuleb regulaarselt teostada järgmisi hooldustöid.

Igapäevane kontrollimine ja hooldus

- Enne töö alustamist kontrollige, kas seadmel pole lahtisi kruvisid ja kas kõik osad on alles. Pöörake erilist tähelepanu sellele, et ettenähtud tarvik oleks korralikult ühendatud seadme külge.
- Enne töö alustamist kontrollige alati, et õhufilter poleks ummistunud ja silindri ribad poleks tõkestatud. Vajaduse korral puhastage neid.
- Teostage järgmised tööd iga päev pärast seadme kasutamist:
 - Puhastage universaalset mootorajamit väljastpoolt ja kontrollige, kas sellel ei esine kahjustusi.
 - Puhastage õhufilter. Kui töötate väga tolmuses keskkonnas, siis puhastage filtrit mitu korda päevas.
 - Kontrollige, kas tühikäigu ja töökiiruse erinevus on piisav, mis peaks tagama tarviku liikumatuse jäämise mootori tühikäigul (vajadusel vähendage tühikäigu kiirust).
Kui tarvik peaks tühikäigul ikkagi liikuma, siis pöörduge lähima ametliku teeninduse poole.
- Kontrollige I-O lüliti, lahtilukustushoova ja seguklapi hoova töökorras olekut.

MOOTORIÕLI VAHETAMINE

Riknenud mootoriõli kasutamine lühendab olulisel määral pöörlemisel üksteise vastu hõõrduvate osade eluiga. Kontrollige kindlasti mootoriõli vahetamise intervalle ja õlikogust.



TÄHELEPANU: Tavaliselt on mootor ja mootoriõli kohe pärast seadme seiskamist kuumad. Enne õli vahetamist kontrollige, kas mootor ja õli on piisavalt maha jahtunud. Vastasel juhul jääb põletussoht püsima.

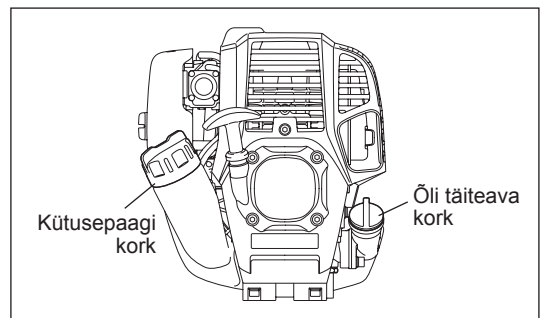
Märkus: Kui õli on lisatud üle ettenähtud normi, võib õli saastuda või süttida, millega kaasneb valge suitsu eraldumine.

Vahetamise sagedus: Esialgu iga 20 töötunni järel ja seejärel iga 50 töötunni järel

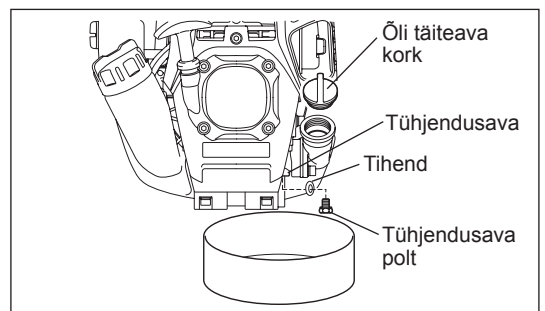
Soovitatav õli: API-kategooria õli SAE10W-30, SF-klass või kõrgem (4-taktilise automootori õli)

Vahetamiseks toimige järgmiselt.

- 1) Kontrollige, kas kütusepaagi kork on korralikult kinni keeratud.
- 2) Asetage suur mahuti (madal nõu vms) tühjendusava alla.

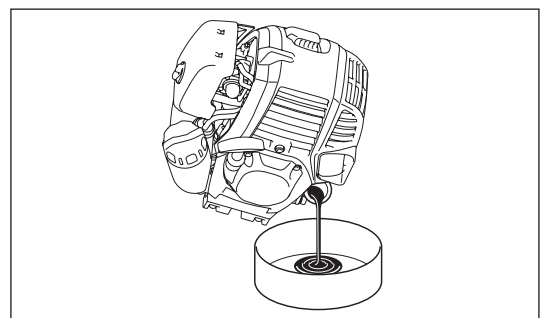


- 3) Eemaldage tühjendusava polt ja seejärel eemaldage õli täiteava kork, et õli saaks välja voolata.
Ärge tühjendusava poldi tihendit ära kaotage ning vältige eemaldatud komponentide määrdumist.
- 4) Kui kogu õli on välja voolanud, ühendage tihend ja tühjendusava polt ning paigaldage tühjendusava polt tagasi, jälgides, et see oleks korralikult kinni keeratud ning ei põhjustaks lekkeid.
* Pühkige poldile ja seadmele sattunud õli lapiga ära.

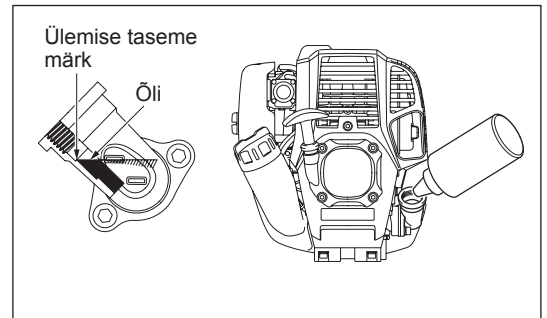
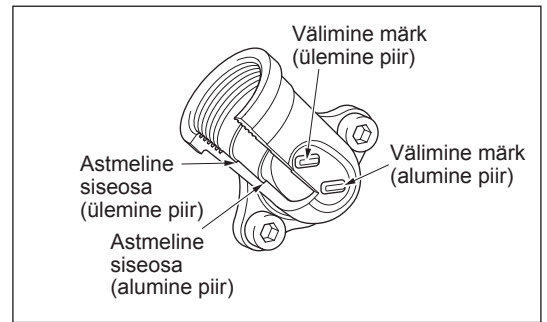


Alternatiivne õlist tühjendamise meetod

Eemaldage õli täiteava kork, kallutage universaalset mootorajamit õli täiteava suunas ja laske õilil välja voolata.
Koguge õli mahutisse.



- 5) Seadke mootor horisontaalsesse asendisse ja lisage sellesse vähehaaval uut õli kuni ülemise taseme märgini.
- 6) Pärast õli lisamist keerake õli täiteava kork korralikult kinni, et see ei põhjustaks õli lekkimist.
Kui õli täiteava kork ei ole tugevasti kinni keeratud, võib õli välja lekkida.



OLULISED PUNKTID ÕLI KOHTA

- Ärge kunagi pange kasutatud õli olmejäätmete hulka, ärge kallake seda maapinnale ega kanalisatsiooni. Õli kasutuselt kõrvaldamine on seadustega reguleeritud. Järgige õli kasutuselt kõrvaldamisel alati asjakohaseid õigusakte ja määrusi. Küsige nõu ametlikust teenindusest.
- Õli rikneb isegi siis, kui seda ei kasutata. Kontrollige ja vahetage õli regulaarselt (vahetage õli iga 6 kuu tagant).

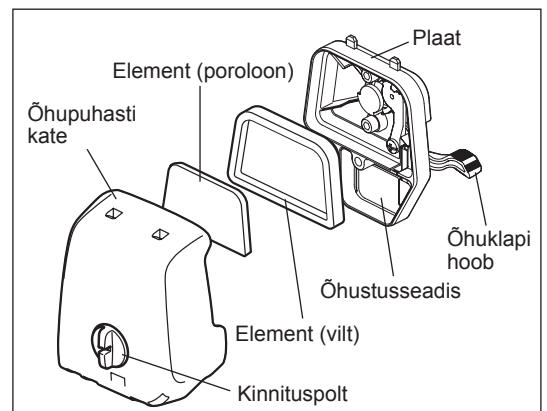
ÕHUPUHASTI PUHASTAMINE



OHTLIK: KERGESTI SÜTTIVAD AINED JA MATERJALID ON RANGELT KEELATUD

Kontrollimise ja puhastamise sagedus: iga päev (iga 10 töötundi järel)

- Keerake õhuklapi hoob täiesti suletud asendisse ning vältige tolmu või mulla sattumist karburaatorisse.
- Keerake kinnituspolt lahti.
- Eemaldage õhupuhasti kate, tõmmates selle alumist poolt.
- Eemaldage elemendid ja koputage neid mustuse eemaldamiseks.
- Kui elemendid on väga määrdunud:
Eemaldage elemendid, kastke need sooja vette või veega lahjendatud neutraalsesse puhastusvahendisse ja kuivatage täielikult. Ärge pigistage ega hõõruge neid pesemise ajal.
- Enne elementide kinnitamist peavad need olema täielikult kuivatatud. Elementide ebapisava kuivatamise tõttu võib käivitamine olla raskendatud.
- Pühkige lapiga ära õhupuhasti katele ja õhustusosale kleepunud õli.
- Sobitage poroloonist element vildist elemendi sisse. Paigaldage elemendid plaadi sisse niimoodi, et porolooni esikülj jääks õhupuhasti katte poole.
- Pange õhupuhasti kate kohe tagasi ja keerake see kinnituspoltidega kinni. (Kokkumonteerimisel paigaldage kõigepealt ülemine osa ja seejärel alumine).



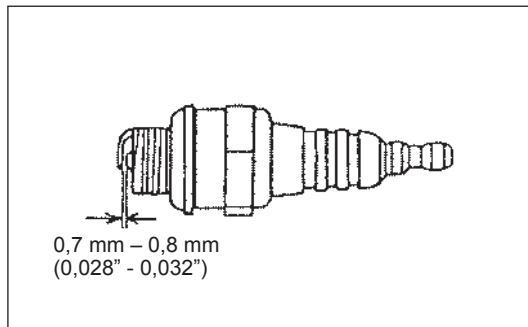
MÄRKUS:

- Puhastage elemente mitu korda päevas, kui neile kleepub liigselt tolmu. Määrdunud elemendid vähendavad mootori võimsust ja muudavad käivitamise raskemaks.
- Eemaldage elementidel olev õli. Kui töö jätkub õlist puhastamata elementidega, võib õli õhupuhastist välja valguda, mille tagajärjeks on keskkonna saastumine.
- Ärge asetage elemente maha ega määrdunud kohta. Vastasel juhul võib neile koguneda mustust ja prügi ning see võib kahjustada mootorit.
- Ärge kasutage kütust elementide puhastamiseks. Kütus võib neid kahjustada.

SÜÜTEKÜÜNLA KONTROLLIMINE

- Kasutage süüteküünla eemaldamiseks ja paigaldamiseks ainult seadmega kaasolevat universaalvõtit.
- Süüteküünla kahe elektroodi vahe peab olema 0,7–0,8 mm. Kui vahe on liiga lai või liiga kitsas, siis reguleerige seda. Kui süüteküünal on ummistunud või saastunud, siis puhastage seda põhjalikult või vahetage välja.

ETTEVAATUST: Mootori töötamise ajal on süüteküünla piibu puudutamine keelatud (kõrgepinge elektrilöögiolt).



KÜTUSEFILTRI PUHASTAMINE

HOIATUS: KERGESTI SÜTTIVAD AINED JA MATERJALID ON RANGELT KEELATUD

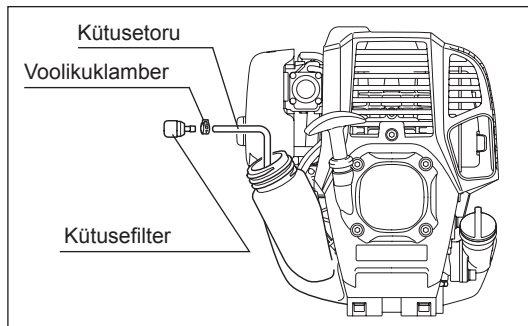
Kontrollimise ja puhastamise sagedus: iga kuu (iga 50 töötunni järel)

Imipea kütusepaagis

Kontrollige regulaarselt kütusefiltrit. Kütusefiltri kontrollimiseks järgige allpool loetletud samme.

- (1) Eemaldage kütusepaagi kork ja tühjendage paak täielikult kütusest. Kontrollige paagi sisemust, et seal ei oleks võõraid. Kui paagis on võõraid, siis eemaldage need.
- (2) Tõmmake imipea traatkonksuga läbi paagi avause välja.
- (3) Kui kütusefilter on kergelt ummistunud, siis puhastage seda. Puhastamiseks raputage ja koputage seda õrnalt kütuses. Ärge pigistage ega hõõruge seda, et vältida kahjustumist. Puhastamiseks kasutatud kütus tuleb kasutusest kõrvaldada vastavalt teie riigis kehtivate määrustega sätestatud meetodile. Kui kütusefilter on kõvastunud või tugevasti ummistunud, siis vahetage see välja.
- (4) Pärast kontrollimist, puhastamist või väljavahetamist lükake kütusefilter täies ulatuses kütusepaagi põhja.

Ummistunud või kahjustunud kütusefilter võib põhjustada ebapiisavat kütuse etteandmist ning vähendada mootori võimsust. Vahetage kütusefiltrit vähemalt kord kvartalis, et tagada kütuse takistusteta liikumine karburaatorisse.



KÜTUSETORU VÄLJAVAHETAMINE

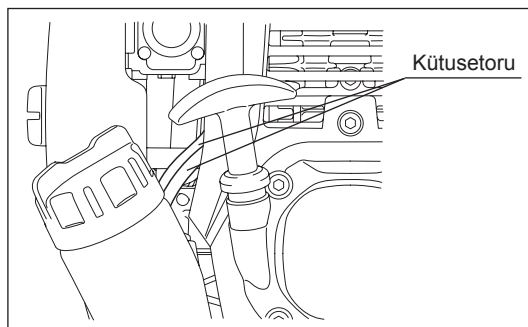
ETTEVAATUST: KERGESTI SÜTTIVAD AINED JA MATERJALID ON RANGELT KEELATUD

Kontrollimise ja puhastamise sagedus: iga päev (iga 10 töötunni järel)

Väljavahetamine: kord aastas (iga 200 töötunni järel)

Vahetage kütusetoru välja igal aastal, hoolimata töötamise sagedusest. Kütuse lekkimine võib põhjustada tulekahju.

Kui avastate kontrollimise käigus lekkeid, siis vahetage kütusetoru kohe välja.



POLTIDE, MUTRITE JA KRUVIDE KONTROLLIMINE

- Keerake lahtised poldid, mutrid jms kinni.
- Kontrollige, kas ei esine kütuse ja õli lekkeid.
- Vahetage kahjustunud osad välja, et tagada ohutu töötamine.

OSADE PUHASTAMINE

- Hoidke mootor alati puhas.
- Hoidke silindri ribid puhtad tolmust või mullast. Ribidele kleepunud tolm või muld võivad põhjustada kolvi kinnijäämist.

TIHENDITE VÄLJAVAHETAMINE

Mootori uuesti kokkumonteerimisel pärast selle lahtivõtmist asendage kindlasti kõik vanad tihendid uutega.

Kõik hooldustööd ja reguleerimised, mida käesolevas kasutusjuhendis pole kirjeldatud, tuleb lasta teha üksnes ametlikus teeninduses.

SÄILITAMINE

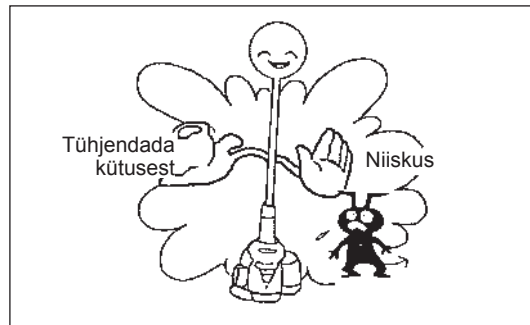


HOIATUS: Enne kütusest tühendamist seisake mootor ja laske sellel maha jahtuda. Kohe pärast mootori seiskamist võib see olla kuum ning põhjustada põletusi, süttimist ja tulekahju.



TÄHELEPANU: Kui seadet ei kasutata pika aja jooksul, siis eemaldage kogu kütus kütusepaagist ja karburaatorist ning pange seade kuiva ja puhtasse kohta hoiule.

- Kütusepaagi ja karburaatori tühendamiseks kütusest toimige järgnevalt:
 - 1) eemaldage kütusepaagi kork ja tühendage paak täielikult kütusest. Eemaldage paaki jäänud mis tahes võõraine;
 - 2) tõmmake kütusefilter traatkonksuga läbi täiteava välja;
 - 3) vajutage kütusepumpa, kuni see on kütusest tühi, ning eemaldage paaki voolanud kütus;
 - 4) paigaldage filter kütusepaaki tagasi ja keerake kütusepaagi kork tugevasti kinni;
 - 5) seejärel oodake, kuni mootor seiskub.
- Eemaldage süüteküünal ja tilgutage mõned tilgad mootoriõli läbi süüteküünla augu.
- Tõmmake aeglaselt starteri käepidet, et mootoriõli saaks ümber mootori laiail valguda, ja pange süüteküünal tagasi.
- Ärge viige hooba tarviku monteerimise ajal lukustatud asendisse. Kui hoob on lukustatud asendis, siis ei saa tarviku varrast mootorajami külge monteerida.
- Üldjuhul hoiustage seadet horisontaalses asendis. Kui see pole võimalik, siis asetage seade niimoodi, et mootor jääb lõikeriistast allapoole. Vastasel juhul võib mootoriõli välja lekkida.
- Vältimaks seadme kahjustamist ja kehavigastusi jälgige, et seadme hoiustamise koht on turvaline.
- Hoidke seadmest eemaldatud õli selleks otstarbeks ettenähtud mahutis hästi ventileeritavas kohas.



Kasutuselevõtt pärast pikaajalist hoiustamist

- Enne seadme uuesti kasutusele võtmist vahetage kindlasti õli (vt lk 136). Õli rikneb, kui seadet ei kasutata.

Rikke asukoht

Rike	Süsteem	Tähelepanek	Põhjus
Mootor ei käivitu või käivitub raskelt	Süütesüsteem	Süüteküünal on korras	Viga kütuse etteande- või kompressioonisüsteemis, mehhaaniline viga
		Süüteküünal puudub säde	Kasutati STOPP-lüliti, viga juhtmetes või lühis, süüteküünal või süüteküünla piip on rikkis, süütemooduli viga
	Kütuse etteandmine	Kütusepaak on täis	Vale õhuklapi asend, karburaatori rike, kütuse etteandetoru on painutatud või blokeeritud, kütus on saastunud
	Kompressioon	Ületõmbamisel puudub kompressioon	Silindri põhjatihend on defektne, võlli tihendid on kahjustunud, silindri või kolvi rõngad on defektsed või süüteküünla tihendus ei ole nõuetekohane
	Mehhaaniline viga	Starter ei lülitu sisse	Starteri vedru on katki, mõni mootori osa on purunenud
Tõrked soekäivitusel		Paak on täidetud, süüteküünla säde on olemas	Karburaator on määrdunud, laske see puhastada
Mootor käivitub, kuid „sureb välja“	Kütuse etteandmine	Paak on täidetud	Tühikäik on valesti reguleeritud, karburaator on saastunud
			Kütusepaagi õhutus kork on defektne, kütuse etteandmine on katkestatud, kaabel või STOPP-lüliti on katki
Ebapiisav jõudlus	Samaaegselt võib olla kahjustunud mitu süsteemi	Mootori tühikäigul töötamine on kehv	Õhufilter on määrdunud, karburaator on määrdunud, summuti on ummistunud, silindri väljalasketoru on ummistunud

Nimetus	Tööaeg	Enne töö alustamist	Pärast määrimist	Iga päev (10 h)	30 h	50 h	200 h	Väljalülitamine/ puhkus	Vastav lk
Mootoriõli	Kontrollida	○							132
	Vahetage välja					○*1			136
Pinguldada polte, mutreid	Kontrollida	○							138
Kütusepaak	Puhastada/kontrollida	○							—
	Tühjendada kütusest							○*3	139
Seguklapi hoob	Kontrollida korrasolekut		○						—
Stopp-lüliti	Kontrollida korrasolekut		○						135
Madalal kiirusel pöörlemine	Kontrollida/reguleerida			○					135
Õhupuhasti	Puhastage			○					137
Süüteküünal	Kontrollida			○					138
Jahutusõhu kanal	Puhastada/kontrollida			○					138
Kütusetoru	Kontrollida			○					138
	Vahetage välja						◎*2		—
Kütusefilter	Puhastada/vahetada välja					○			138
Vahemik õhu sissevõtuklapi ja õhu väljalaskeklapi vahel	Reguleerige						◎*2		—
Mootori põhjalik ülevaatus							◎*2		—
Karburaator	Tühjendada kütusest							○*3	139

*1 Teostage esimene asendamine pärast 20 töötundi.

*2 Kontrollimiseks pärast 200 töötundi pöörduge ametliku teeninduse või töökoja poole.

*3 Pärast kütusepaagi tühjendamist jätkke mootor tööle ja eemaldage karburaatoris olev õli.

Lugege iga tarviku kasutusjuhendit ja hooldage tarvikuid siis, kui neid kasutatakse.

VEAOTSING

Enne remonditööde tellimist teenindustöökojast proovige viga ise üles leida ja kõrvaldada. Tõrke esinemisel kontrollige seadet vastavalt käesoleva kasutusjuhendi kirjeldusele. Ärge muutke ega monteerige omavoliliselt lahti ühtki osa, mis pole kooskõlas käesolevas kasutusjuhendis kirjeldatuga. Remonditööde teostamiseks pöörduge ametliku teeninduse või kohaliku müügiesindaja poole.

Tõrke olemus	Võimalik põhjus (riike)	Abinõu
Mootor ei käivitu	Kütusepumba tõrge	Vajutage 7 kuni 10 korda
	Starteri trossi tõmbamiskiirus on aeglane	Tõmmake jõuliselt
	Kütus on otsas	Lisage kütust
	Kütusefilter on ummistunud	Puhastage
	Paindunud kütusetoru	Seadke kütusetoru korda
	Kütus on riknenud	Riknenud kütus muudab käivitamise palju raskemaks. Vahetage välja. (Soovitav asendamise sagedus: 1 kuu järel.)
	Liigne kütuse imemine	Seadke seguklapi hoob keskmiselt kiiruselt täiskiirusele ja tõmmake starteri käepidemest, kuni mootor käivitub. Kui mootor käivitub, hakkab ka külgeühendatud tarvik pöörlema või liikuma. Pöörake kogu tähelepanu tarvikule. Kui mootor ikkagi ei käivitu, siis eemaldage süüteküünal, kuivatage elektrood ja monteerige need ümber nii, nagu need algselt olid. Seejärel käivitage, nagu ette on nähtud.
	Süüteküünla piip on lahti	Kinnitage korralikult
	Süüteküünal on saastunud	Puhastage
	Süüteküünla elektroodide vahe on vale	Reguleerige vahe pikkust
	Süüteküünla muu riike	Vahetage välja
	Karburaatori tõrge	Laske kontrollida ja hooldada töökojas.
	Starteri trossi ei saa tõmmata	Laske kontrollida ja hooldada töökojas.
	Ajamisüsteemi tõrge	Laske kontrollida ja hooldada töökojas.
Mootor seiskub peagi Mootori kiirus ei suurene	Ebapiisav soekäivitus	Teostage ülessoojendamine
	Õhuklapi hoob on seatud asendisse „SULETUD“, kuigi mootor on üles soojendatud.	Seadke asendisse „AVATUD“
	Kütusefilter on ummistunud	Puhastage või vahetage välja
	Õhupuha on ummistunud või saastunud	Puhastage
	Karburaatori tõrge	Laske kontrollida ja hooldada töökojas.
	Ajamisüsteemi tõrge	Laske kontrollida ja hooldada töökojas.
Tarvik ei pöörle ega liigu	Tarvik ei ole sisestatud ettenähtud punktini.	Sisestage tarvik vastavalt juhistele.
Seisake mootor viivitamatult	Ajamisüsteemi tõrge	Laske kontrollida ja hooldada töökojas.
Seade vibreerib ebanormaalselt	Tarvik ei ole sisestatud ettenähtud punktini.	Sisestage tarvik vastavalt juhistele.
Seisake mootor viivitamatult	Hoob on lahti	Kinnitage tugevamini.
	Ajamisüsteemi tõrge	Laske kontrollida ja hooldada töökojas.
Tarvik ei seisku kohe	Suur pöörlemiskiirus tühikäigul	Reguleerige
Seisake mootor viivitamatult	Gaasihoova juhe on ühendusest lahti	Kinnitage korralikult
	Ajamisüsteemi tõrge	Laske kontrollida ja hooldada töökojas.
Mootor ei seisku	Klemm on lahti	Kinnitage korralikult
Laske mootoril töötada tühikäigul ja seadke õhuklapi hoob asendisse „SULETUD“	Elektrisüsteem on rikkis	Laske kontrollida ja hooldada töökojas.

Kui mootor ei käivitu pärast soojendamist:

kui vead puuduvad vastavalt kontrollinimekirjale, siis avage seguklapp umbes 1/3 ulatuses ja käivitage mootor.

Благодарим вас за приобретение многофункционального бензомоторного привода для садовых насадок компании MAKITA. Мы рады представить вам многофункциональный бензомоторный привод для садовых насадок MAKITA, созданный в результате длительной разработки, на основе многолетнего опыта и глубокого знания этой области.

Прочтите данный буклет, в котором приведено подробное описание изделия, демонстрирующее его исключительные возможности. Это поможет вам максимально эффективно использовать многофункциональный бензомоторный привод для садовых насадок MAKITA.



Содержание	Стр.
Символы	142
Инструкции по технике безопасности	143
Технические данные	146
Сертифицированные насадки	147
Компоненты изделия	148
Установка рукоятки	149
Установка насадки	149
Демонтаж.....	150
Перед началом работы	151
Правильное обращение с устройством	153
Примечания по эксплуатации и выключению устройства.....	153
Указания по обслуживанию.....	156
Хранение	159

СИМВОЛЫ

При чтении руководства вам будут встречаться следующие символы.

	Прочитайте руководство по эксплуатации и соблюдайте все предупреждения и меры безопасности!		Надевать каску, защитные очки и использовать средства защиты слуха!
	Обратите особое внимание!		Топливо (бензин)
	Запрещено!		Двигатель - запуск вручную
	Не курить!		Аварийное выключение
	Беречь от открытого огня!		Первая помощь
	Обязательно надевать защитные перчатки!		ВКЛ./ПУСК
	Обувайте прочные ботинки с нескользящими подошвами. Рекомендуется использовать защитную обувь со стальными подносками!		ВЫКЛ./СТОП
	Не допускать в рабочую зону посторонних лиц и животных!		

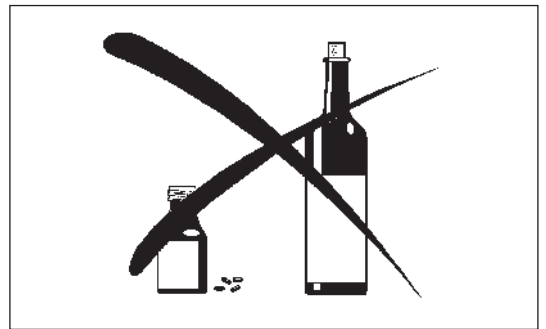
Назначение устройства

Данный многофункциональный бензодвигательный привод для садовых насадок предназначен для использования с сертифицированными насадками, список которых приводится в данной инструкции по эксплуатации. Запрещается использовать устройство для других целей.

ИНСТРУКЦИИ ПО ТЕХНИКЕ БЕЗОПАСНОСТИ

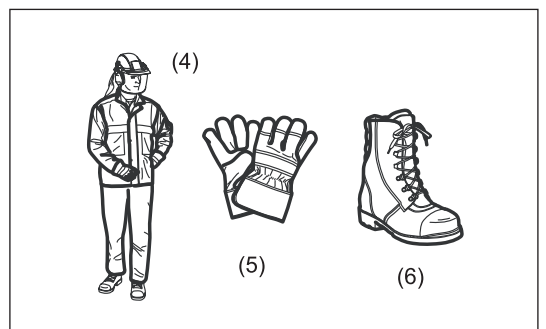
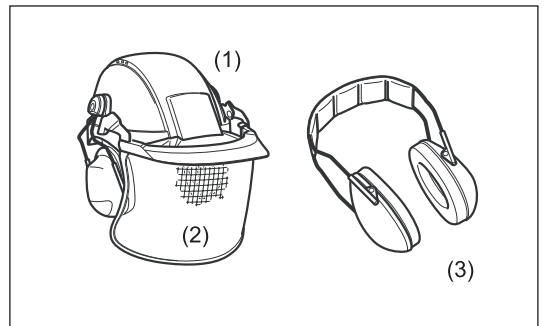
Общие указания

- Чтобы обеспечить правильную эксплуатацию, пользователь должен прочитать данное руководство для ознакомления с правилами обращения с многофункциональным бензодвигательным приводом для садовых насадок. Недостаточно информированные пользователи подвергают опасности себя и окружающих.
- Передавать многофункциональный бензодвигательный привод для садовых насадок следует только лицам, которые имеют опыт работы с подобным инструментом. Обязательно передавайте вместе с устройством и руководство по эксплуатации.
- Пользователям, не имеющим опыта эксплуатации, следует обратиться к дилеру за рекомендациями по обращению с данным инструментом.
- Детям и подросткам до 18 лет не разрешается эксплуатировать многофункциональный бензодвигательный привод для садовых насадок. Вместе с тем, лица старше 16 лет могут использовать устройство для обучения, но только под руководством квалифицированного наставника.
- Используйте многофункциональный бензодвигательный привод для садовых насадок с максимальным вниманием и осторожностью.
- Используйте многофункциональный бензодвигательный привод для садовых насадок только в том случае, если находитесь в хорошей физической форме. Выполняйте все работы спокойно и тщательно. Пользователь несет ответственность за окружающих.
- Запрещается использовать многофункциональный бензодвигательный привод для садовых насадок в состоянии алкогольного/наркотического опьянения, при усталости или болезни.
- Национальное законодательство может ограничивать использование устройства.



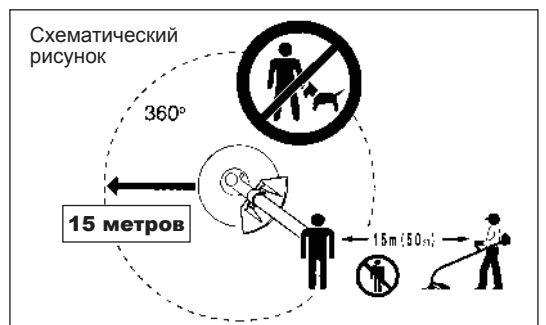
Индивидуальные средства защиты

- Рабочая одежда должна быть функциональной и соответствующей выполняемым работам, т.е. должна быть в меру облегчающей. Не надевайте ювелирные украшения или одежду, которая может зацепиться за кусты или ветки.
- Чтобы избежать травм головы, глаз, рук или ног, а также органов слуха, при эксплуатации многофункционального бензодвигательного привода для садовых насадок необходимо использовать следующее защитное оборудование и защитную одежду.
- Если существует риск падения предметов, обязательно надевайте защитный шлем. Защитный шлем (1) необходимо проверять на регулярной основе на предмет повреждений, его следует заменять не позднее чем через 5 лет. Пользуйтесь только сертифицированными защитными шлемами.
- Защитный щиток (2) шлема (либо защитные очки) закрывает лицо от разлетающихся камешков и мусора. Во время работы с многофункциональным бензодвигательным приводом для садовых насадок обязательно носите защитные очки или маску для органов зрения от травм.
- Для защиты органов слуха используйте надлежащие устройства (наушники (3), беруши и пр.).
- Рабочий комбинезон (4) защищает от разлетающихся камешков и мусора. Настоятельно рекомендуем надевать рабочий комбинезон.
- Специальные перчатки (5) из толстой кожи входят в перечень необходимого оборудования, при эксплуатации многофункционального бензодвигательного привода для садовых насадок их надлежит использовать в обязательном порядке.
- При использовании многофункционального бензодвигательного привода для садовых насадок обязательно надевайте прочные ботинки (6) с нескользящей подошвой. Они защитят от травм и обеспечат хорошую устойчивость при работе.



Запуск многофункционального бензодвигательного привода для садовых насадок

- Убедитесь, что поблизости от места работы нет детей и других лиц, а также животных.
- Убедитесь, что насадка установлена на место, рычаг управления отрегулирован для удобства работы, а блокирующий рычаг исправен.
- На холостом ходу насадка не должна вращаться. Если у вас возникают какие-либо сомнения, обратитесь к дилеру для настройки. Убедитесь, что рукоятки чистые и сухие, и проверьте функционирование выключателя.

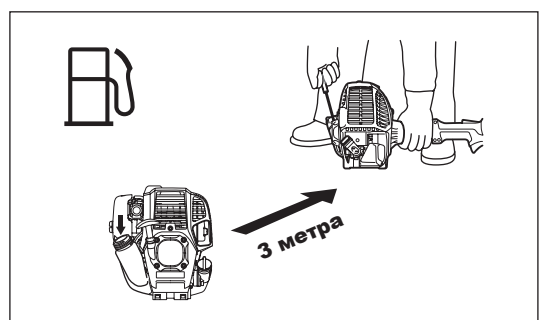
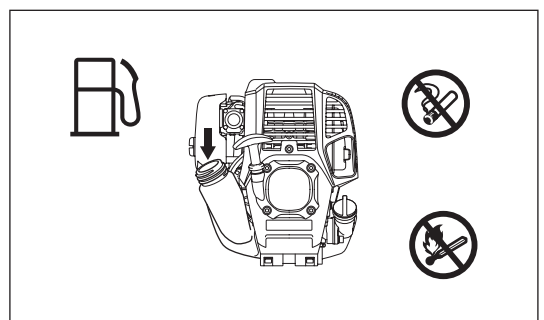
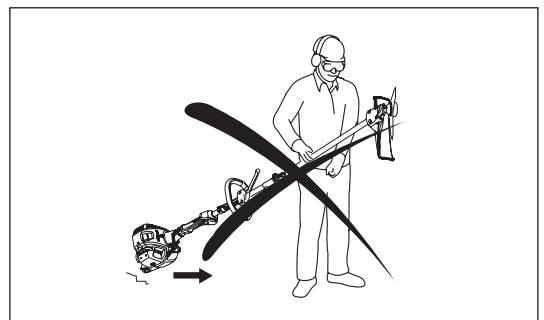
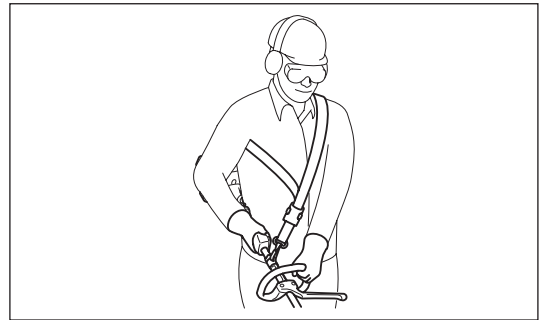
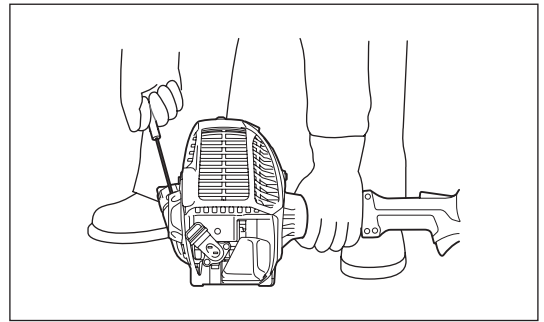


Запуск многофункционального бензомоторного привода для садовых насадок должен осуществляться строго в соответствии с инструкциями.

- Не используйте другие методы запуска двигателя!
- Используйте многофункциональный бензомоторный привод для садовых насадок и инструменты только по назначению.
- Двигатель многофункционального бензомоторного привода для садовых насадок можно запускать только после полной сборки устройства. Эксплуатация устройства допускается только после установки всех необходимых принадлежностей!
- Перед пуском двигателя убедитесь, что насадка не касается твердых предметов, таких как ветки, камни и т.п., так как при пуске она начнет вращаться.
- В случае возникновения любых проблем с двигателем его следует немедленно выключить.
- В случае удара насадки о камень или другой твердый предмет немедленно выключите двигатель и осмотрите насадку.
- Эксплуатируйте многофункциональный бензомоторный привод для садовых насадок только с надетым плечевым ремнем, который необходимо соответствующим образом отрегулировать до начала использования устройства. Чтобы не допустить переутомления при работе, очень важно подобрать надлежащую длину плечевого ремня в соответствии с ростом и комплекцией пользователя. Запрещается во время работы удерживать устройство только одной рукой.
- Во время работы обязательно удерживайте многофункциональный бензомоторный привод для садовых насадок обеими руками. Обязательно проверяйте надежность опоры под ногами.
- Эксплуатируйте многофункциональный бензомоторный привод для садовых насадок так, чтобы не допустить вдыхания отработавших газов. Запрещается включать двигатель в закрытых помещениях (риск отравления газами). Окись углерода - это газ без запаха.
- При перерыве в работе или оставляя многофункциональный бензомоторный привод для садовых насадок без присмотра, выключайте двигатель, и кладите устройство в безопасное место, чтобы предотвратить опасность для окружающих или повреждение самого устройства.
- Никогда не кладите горячий многофункциональный бензомоторный привод для садовых насадок на сухую траву или на горючие материалы.
- Все защитные приспособления и ограждения, входящие в комплект поставки устройства, должны использоваться при эксплуатации.
- Запрещается эксплуатировать двигатель с неисправным глушителем.
- Выключайте двигатель на время транспортировки.
- При транспортировке на большие расстояния обязательно устанавливайте защитный кожух, входящий в комплект устройства.
- При транспортировке на автотранспорте расположите многофункциональный бензомоторный привод для садовых насадок так, чтобы не допустить утечки топлива.
- При перевозке многофункционального бензомоторного привода для садовых насадок топливный бак устройства должен быть пустым.
- При разгрузке многофункционального бензомоторного привода для садовых насадок с грузовика не бросайте двигатель на землю, так как это может привести к серьезному повреждению топливного бака.
- За исключением экстренных случаев, не бросайте многофункциональный бензомоторный привод для садовых насадок на землю, так как это может стать причиной серьезного повреждения инструмента.
- Не забывайте поднимать устройство над землей при перемещении. Волочить топливный бак по земле очень опасно, это может привести к его повреждению, утечке топлива и возможности возгорания.
- Если оборудование получило сильный удар или упало, перед продолжением работы проверьте его состояние. Проверьте топливную систему на предмет утечек, а также органы управления и системы защиты на предмет исправности. При возникновении сомнений или обнаружении повреждения обратитесь в наш авторизованный сервисный центр для осмотра инструмента и ремонта.

Заправка топливом

- На время заправки выключайте двигатель, берегите его от открытого пламени и не курите.
- Не допускайте попадания минеральных масел на кожу. Не вдыхайте пары топлива. Во время заправки обязательно надевайте защитные перчатки. Регулярно меняйте и чистите защитную одежду.
- Не допускайте разлива топлива или масла, чтобы предотвратить загрязнение почвы (защита окружающей среды). Очищайте многофункциональный бензомоторный привод для садовых насадок немедленно после разлива топлива.
- Не допускайте попадания топлива на одежду. Если на одежду попало топливо, следует незамедлительно переодеться (для предотвращения возгорания одежды).
- Регулярно осматривайте крышку топливного бака, чтобы убедиться в надежности ее установки и отсутствия течи топлива.
- Плотно затягивайте крышку топливного бака. Перед запуском двигателя отойдите в сторону на минимум на 3 метра от места заправки).
- Запрещается заправлять топливо в закрытых помещениях. Пары топлива скапливаются у земли (опасность взрыва).
- Перевозите и храните топливо только в сертифицированных канистрах. Обеспечьте недостижимость хранящегося топлива для детей.

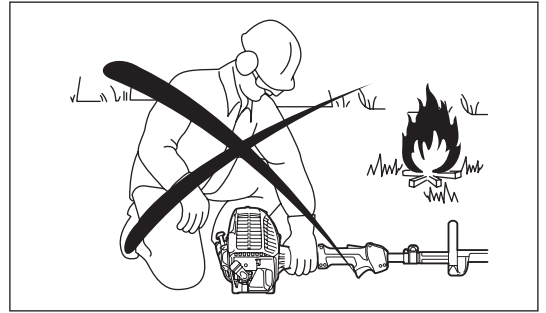


Способ эксплуатации

- Эксплуатируйте многофункциональный бензодвигательный привод для садовых насадок при достаточном освещении и в условиях хорошей видимости. В зимнее время помните о скользких или мокрых поверхностях, наличии льда и снега (риск поскользнуться). Обязательно проверяйте надежность опоры под ногами.
- Запрещается работать многофункциональным бензодвигательным приводом для садовых насадок, стоя на лестнице.
- Не взбирайтесь на деревья для выполнения обрезки с помощью многофункционального бензодвигательного привода для садовых насадок.
- Запрещается работать на неустойчивых поверхностях.
- Перед использованием насадки она должна достигнуть рабочей скорости.
- Чтобы не потерять контроль над инструментом из-за усталости, делайте перерывы в работе. Рекомендуется делать 10 - 20 минутные перерывы после каждого часа работы.

Инструкции по уходу

- Обслуживайте оборудование в нашем авторизованном сервисном центре, с использованием оригинальных запасных частей. Неправильный ремонт и некачественное обслуживание могут сократить срок службы оборудования и повысить риск несчастных случаев.
- Эксплуатируйте многофункциональный бензодвигательный привод для садовых насадок с минимально возможным уровнем шума и загрязнений. В частности, проверяйте правильность настройки карбюратора.
- Регулярно очищайте многофункциональный бензодвигательный привод для садовых насадок и проверяйте надежность затяжки всех винтов и гаек.
- Запрещается обслуживать и хранить многофункциональный бензодвигательный привод для садовых насадок вблизи источника открытого огня.
- Обязательно храните многофункциональный бензодвигательный привод для садовых насадок в запечатанном помещении, с пустым топливным баком.



Соблюдайте соответствующие инструкции по технике безопасности, выпущенные соответствующими отраслевыми объединениями и страховыми компаниями.

Не производите каких-либо модификаций многофункционального бензодвигательного привода для садовых насадок, это опасно.

Обслуживание и ремонт силами пользователя ограничиваются действиями, описанными в данном руководстве. Все остальные работы должен выполнять официальный представитель сервисной службы. Используйте только оригинальные запасные части и аксессуары производства MAKITA.

Использование несертифицированных аксессуаров и инструментов увеличивает риск несчастного случая.

MAKITA не несет ответственность за аварии или повреждения, вызванные использованием несертифицированных насадок или аксессуаров.

Первая помощь

В случае происшествия убедитесь, что поблизости от места выполнения работ имеется аптечка первой помощи. Незамедлительно заменяйте все использованные компоненты аптечки.

Обращаясь за помощью, сообщайте следующую информацию:

- Место происшествия
- Что случилось
- Число пострадавших
- Характер травм
- Свое имя



Вибрация

- Лица, имеющие нарушения системы кровообращения, работающие в условиях сильных вибраций, могут подвергаться риску травм кровеносных сосудов или нервной системы. Вибрации могут привести к возникновению следующих симптомов в пальцах, руках или запястьях. "Сонный паралич" (онемение), покалывание, боль, чувство пронзающей боли или изменение цвета кожи. В случае возникновения любого из этих симптомов обратитесь к врачу.
- Чтобы уменьшить риск "синдром белых пальцев", старайтесь, чтобы во время работы руки не замерзли, а также поддерживайте в исправном состоянии оборудование и принадлежности.

ДЕКЛАРАЦИЯ О СООТВЕТСТВИИ ЕС

Только для европейских стран

Декларация о соответствии ЕС приведена в приложении А к данному руководству.

ТЕХНИЧЕСКИЕ ДАННЫЕ EX2650LH

Модель	EX2650LH	
Тип рукоятки	Кольцевая рукоятка	
Размеры: длина x ширина x высота (без ножа) с барьером	мм	975 x 323 x 241
Размеры: длина x ширина x высота (без ножа) без барьера	мм	975 x 242 x 241
Масса (без пластикового защитного кожуха и ножа)	кг	4,6
Объем (топливный бак)	л	0,6
Объем (масляный бачок)	л	0,08
Рабочий объем двигателя	см. ³	25,4
Максимальная мощность двигателя	кВт	0,77 при 7000 мин ⁻¹
Обороты двигателя при рекомендованной максимальной скорости шпинделя	мин ⁻¹	10000
Холостые обороты	мин ⁻¹	3000
Скорость включения муфты	мин ⁻¹	3900
Карбюратор	Мембранный тип	
Система зажигания	Бесконтактное, магнитного типа	
Свеча зажигания	тип	NGK CMR4A
Зазор электродов	мм	0,7 - 0,8
Топливо	Автомобильный бензин	
Моторное масло	Масло API SF или выше, SAE 10W-30 (масло для четырехтактных автомобильных двигателей)	

Вибрация

Насадка	Правая рукоятка (Задняя рукоятка)		Левая рукоятка (Передняя рукоятка)		Применимые стандарты
	$a_{hv\ eq}$ (м/с ²)	Погрешность К (м/с ²)	$a_{hv\ eq}$ (м/с ²)	Погрешность К (м/с ²)	
EM400MP	6,5	1,2	5,9	1,8	ISO 22867
EM401MP	5,6	2,1	4,8	1,0	ISO 22867
ER400MP	7,1	2,8	5,5	2,7	ISO 22867
EY400MP	9,4	2,0	4,2	2,0	ISO 22867
EY400MP + LE400MP	4,8	2,0	3,4	2,0	ISO 22867
EY401MP	6,5	2,0	3,8	2,0	ISO 22867
EY401MP + LE400MP	5,6	2,0	3,4	2,0	ISO 22867
EN400MP	8,4	1,8	5,0	0,7	ISO 10517
EN400MP + LE400MP	8,0	1,7	4,3	0,7	ISO 10517
KR400MP	5	1,1	4,4	2,3	ISO 22867
EJ400MP	7,1	1,5	4,9	1,5	ISO 22867
EJ400MP + LE400MP	6,4	0,6	4,0	0,7	ISO 22867
EN401MP	8,0	1,7	5,8	1,0	ISO 10517
EN401MP + LE400MP	10,5	1,5	8,0	1,5	ISO 10517
EN410MP	7,4	2,9	4,6	0,9	ISO 10517
EN410MP + LE400MP	10,5	4,1	5,7	2,1	ISO 10517
EN420MP	8,4	1,2	5,7	3,5	ISO 10517
EE400MP	8,6	1,7	3,5	1,6	ISO 22867

Шум

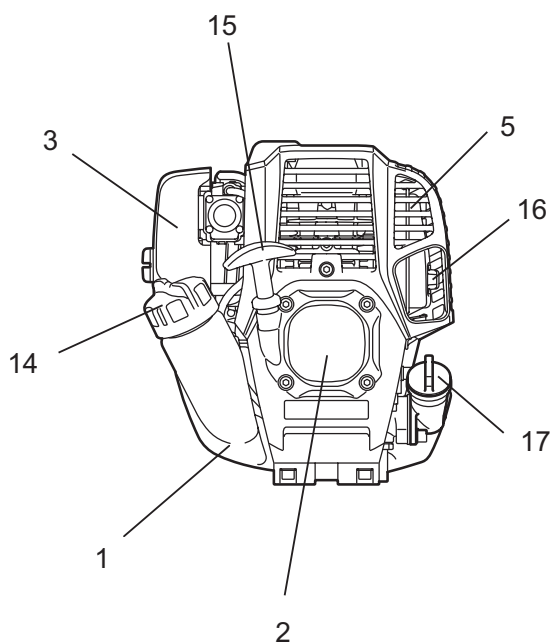
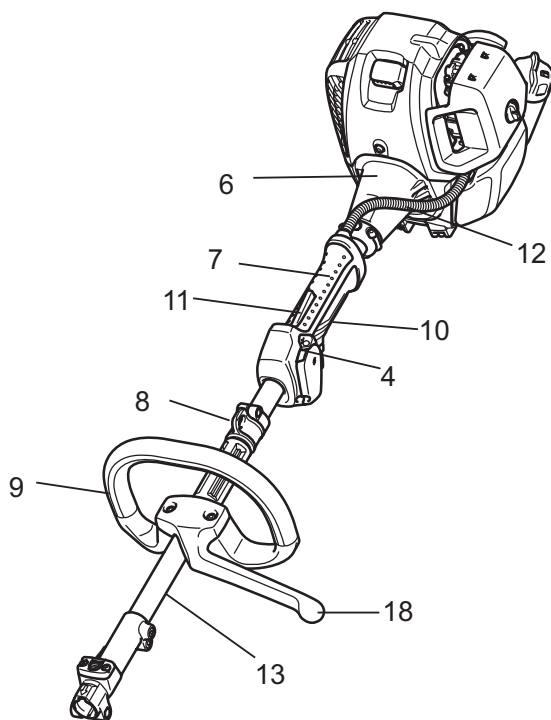
Насадка	Средний уровень звукового давления		Средний уровень звуковой мощности		Применимые стандарты
	L _{PA eq} (дБ (А))	Погрешность К (дБ (А))	L _{WA eq} (дБ (А))	Погрешность К (дБ (А))	
EM400MP	95,0	4,4	105,5	3,3	ISO 22868
EM401MP	89,9	3,6	99,7	2,7	ISO 22868
ER400MP	97,9	4,2	106,2	4,0	ISO 22868
EY400MP	93,0	2,5	104,5	2,5	ISO 22868
EY400MP + LE400MP	90,3	2,5	107,8	2,5	ISO 22868
EY401MP	92,6	2,5	104,7	2,5	ISO 22868
EY401MP + LE400MP	90,5	2,5	107,9	2,5	ISO 22868
EN400MP	93,1	4,4	102,9	4,8	ISO 10517
EN400MP + LE400MP	87,8	1,9	103,0	2,0	ISO 10517
KR400MP	93,7	2,6	99,7	1,2	ISO 22868
EJ400MP	89,0	2,3	99,8	1,1	ISO 22868
EJ400MP + LE400MP	88,1	2,2	100,8	2,3	ISO 22868
EN401MP	90,7	1,6	102,1	1,7	ISO 10517
EN401MP + LE400MP	89,2	2,9	102,0	1,6	ISO 10517
EN410MP	87,8	0,8	102,3	1,7	ISO 10517
EN410MP + LE400MP	88,7	1,1	102,9	0,9	ISO 10517
EN420MP	88,7	1,0	101,3	0,7	ISO 10517
EE400MP	89,5	2,0	99,7	2,6	ISO 22868

СЕРТИФИЦИРОВАННЫЕ НАСАДКИ

НАСАДКИ	Модели
Насадка: Коса	EM400MP, EM401MP
Насадка: Нитьевая косильная головка	ER400MP
Насадка: Цепная пила на штанге	EY400MP, EY401MP
Насадка: Кусторез	EN400MP, EN401MP, EN410MP
Принадлежность Насадка Кусторез Для Низкого Кустарника	EN420MP
Насадка: Культиватор	KR400MP
Насадка: Сборщик кофе	EJ400MP
Насадка Кромкорез	EE400MP
Дополнительный Удлинитель Вала	LE400MP

КОМПОНЕНТЫ ИЗДЕЛИЯ

EX2650LN



RUS	КОМПОНЕНТЫ ИЗДЕЛИЯ
1	Топливный бак
2	Ручной стартер
3	Воздушный фильтр
4	Переключатель I-O (включение/выключение)
5	Глушитель
6	Картер муфты
7	Задняя рукоятка
8	Крючок для подвески
9	Ручка
10	Рычаг дроссельной заслонки
11	Блокирующий рычаг
12	Трос управления
13	Вал
14	Крышка заливной горловины
15	Рукоятка стартера
16	Выхлопная труба
17	Крышка маслобака
18	Барьер*

Примечание: В некоторых странах барьер не прилагается к инструменту.

УСТАНОВКА РУКОЯТКИ

ПРЕДУПРЕЖДЕНИЕ: Перед выполнением любых операций с многофункциональным бензомоторным приводом для садовых насадок обязательно выключите двигатель и отсоедините провод от свечи зажигания. Обязательно надевайте защитные перчатки!

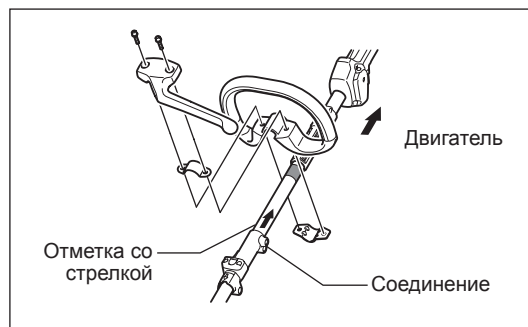
ПРЕДУПРЕЖДЕНИЕ: Запускайте многофункциональный бензомоторный привод для садовых насадок только после полной ее сборки.

Сборка кольцевой рукоятки

- Надежно зафиксируйте барьер и рукоятку на трубке вала с помощью двух винтов и хомутов. Затем установите барьер с левой стороны устройства как показано на рисунке.
- Убедитесь, что рукоятка/барьер в сборе находится между прокладкой и отметкой со стрелкой. Не снимайте и не сжимайте прокладку.
- После сборки не снимайте барьер.

ПРЕДУПРЕЖДЕНИЕ: Запрещается устанавливать рукоятку на наклейку или стык соединения.

Примечание: В некоторых странах барьер и отметка со стрелкой отсутствуют на инструменте.



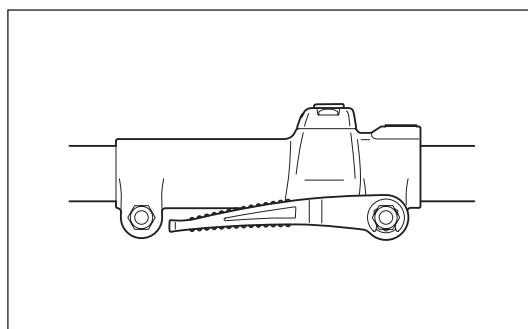
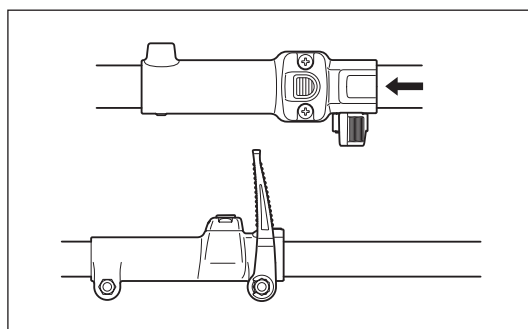
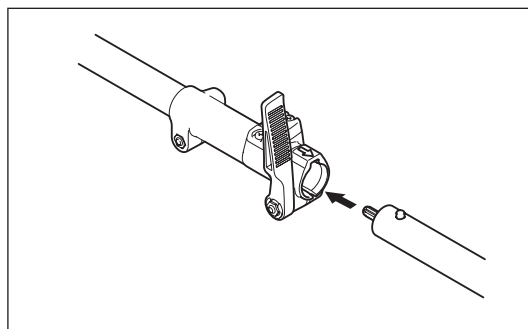
УСТАНОВКА НАСАДКИ

ПРЕДУПРЕЖДЕНИЕ: Перед выполнением любых операций с многофункциональным бензомоторным приводом для садовых насадок обязательно выключите двигатель и отсоедините провод от свечи зажигания. Обязательно надевайте защитные перчатки!

ПРЕДУПРЕЖДЕНИЕ: Запускайте многофункциональный бензомоторный привод для садовых насадок только после полной ее сборки.

Сборка

- Ослабьте рычаг.
- Совместите штифт насадки с пазом в стыке и вставьте штифт.
- Вставьте насадку вверх по стрелке. Убедитесь, что кнопка поднялась.
- Затяните рычаг. (См. рисунок справа в качестве инструкции.)

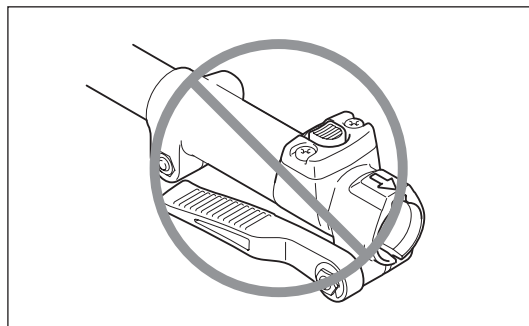
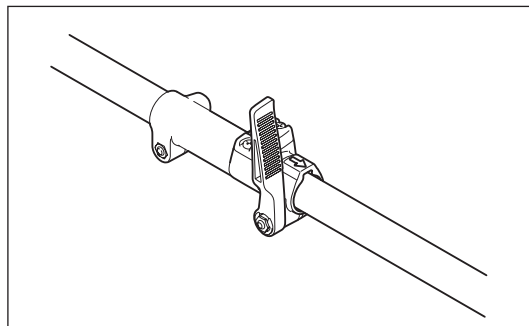


ДЕМОНТАЖ

- Ослабьте рычаг.
- Нажмите кнопку и извлеките насадку.
(Насколько это возможно, старайтесь извлекать насадку прямолинейно.)

Примечание:

- Не оставляйте рычаг затянутым, если насадка не подсоединена.



ПЕРЕД НАЧАЛОМ РАБОТЫ

Проверка и доливка моторного масла

- Дав двигателю остыть, выполните следующее.
- Установите двигатель горизонтально, снимите крышку маслобака (Рис.1) и убедитесь, что уровень масла находится между верхней и нижней метками маслопровода (Рис.2).
- Долейте масло до верхней метки, если его уровень недостаточный (уровень масла находится у нижней отметки) (Рис.3).
- Область вокруг внешних меток прозрачная, поэтому для проверки уровня масла не обязательно снимать крышку маслобака. Однако, если маслопровод загрязнен, уровень масла необходимо будет проверить по ступенчатому профилю внутри маслопровода.
- Периодичность замены масла составляет примерно 10 ч (каждые 10 заправок).
Если изменился цвет масла или в него попала грязь, замените масло. (Периодичность и способ замены см. на стр. 156)

Рекомендованное масло: SAE 10W-30 по классификации API, класс SF или выше (4-тактный автомобильный двигатель)

Объем масла: Прибл. 0,08 л

Примечание: Если двигатель удерживается не вертикально, масло может растекаться по двигателю, и в этом случае возможен перелив. В случае перелива масла оно может загрязниться или воспламениться с выделением белого дыма.

Пункт 1 операции замены масла: “Крышка маслобака”

- Очистите заливное отверстие и прилегающие участки от пыли и грязи, и отсоедините крышку маслобака.
- Не допускайте попадания песка или пыли на снятую крышку маслобака. В противном случае песок или пыль с крышки может вызывать перебои в циркуляции масла или привести к износу деталей двигателя, что может стать причиной возникновения неисправности.

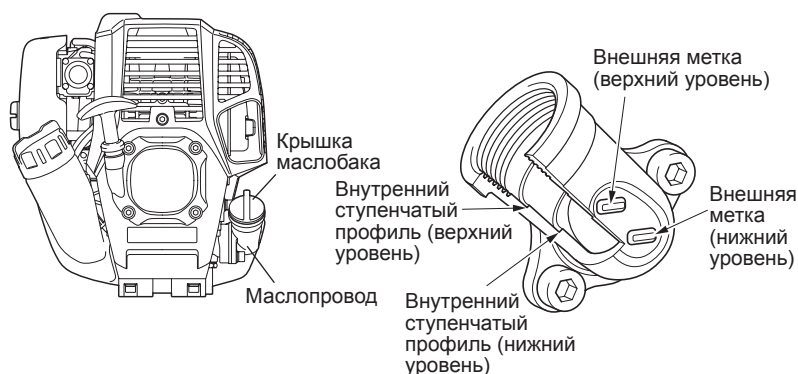


Рис. 1

Рис. 2 Маслопровод

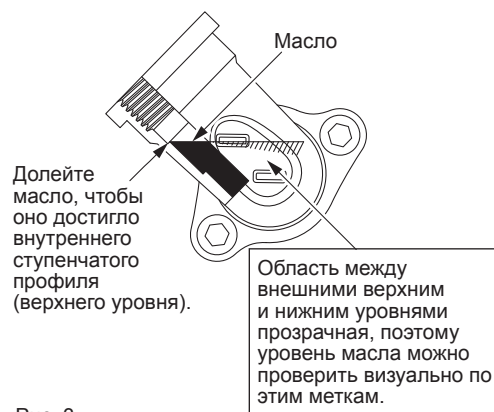
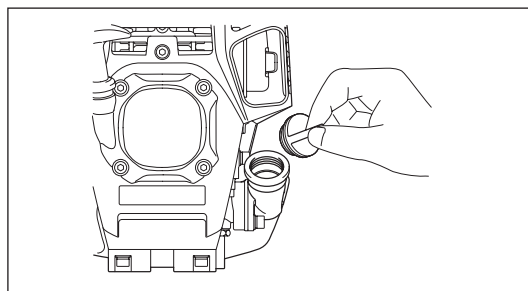
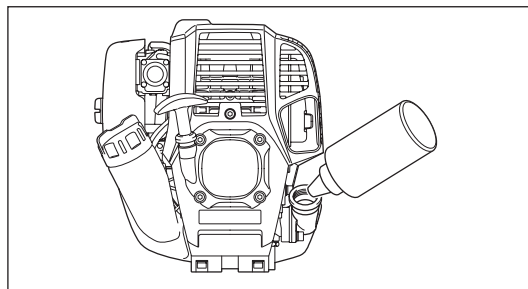


Рис. 3

- (1) Удерживая двигатель горизонтально, снимите крышку маслобака.



- (2) Долейте масло до отметки верхнего уровня. (см. рис. 3)
При доливке используйте масленку.



- (3) Плотно заверните крышку маслобака. Недостаточная затяжка может стать причиной утечки масла.

Примечание

- Не меняйте масло, наклонив двигатель.
- Заливание масла в наклоненный двигатель приводит к переливу, что является причиной загрязнения масла и/или появления белого дыма.

Пункт 2 операции замены масла: “В случае разлития масла”

- Если масло попадет между топливным баком и двигателем, оно может проникнуть внутрь через воздухозаборное отверстие и загрязнить двигатель. Перед началом работы обязательно вытирайте разлитое масло.

ЗАПРАВКА ТОПЛИВОМ

Обращение с топливом

При обращении с топливом необходимо соблюдать особую осторожность. В топливе могут быть вещества, сходные с растворителями. Дозаправку следует выполнять в хорошо проветриваемом помещении или на открытом воздухе. Не вдыхайте пары и не касайтесь топлива. Если касаться топлива неоднократно или на протяжении длительного времени наступает обезвоживание кожи, что может привести к заболеваниям кожи или аллергическим реакциям. При попадании топлива в глаза промойте их чистой водой. Если раздражение не проходит, обратитесь к врачу.

Срок хранения топлива

Топливо следует использовать в течение 4 недель, даже если оно хранится в специальной емкости в месте с надлежащей вентиляцией. Если специальные емкости не используются, либо если емкость открытая, качество топлива может снизиться за один день.

ХРАНЕНИЕ УСТРОЙСТВА И КАНИСТРЫ ДЛЯ ДОЗАПРАВКИ

- Храните устройство и бак в прохладном месте вдали от прямых солнечных лучей.
- Запрещается хранить топливо в кабине или в багажнике.

Топливо

Двигатель относится к четырехтактному типу. Обязательно используйте автомобильный бензин (обычный или повышенного качества).

Примечания по топливу

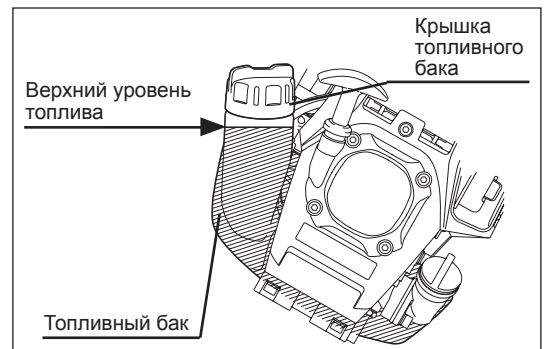
- Запрещается использовать смесь бензина с моторным маслом. Это приведет к сильному нагару или механическим неисправностям.
- Использование масла низкого качества вызывает перебои при запуске двигателя.

Дозаправка

ПРЕДОСТЕРЕЖЕНИЕ: СТРОГО ЗАПРЕЩАЕТСЯ ИСПОЛЬЗОВАНИЕ ОГНЕОПАСНЫХ МАТЕРИАЛОВ

Используемый бензин: автомобильный бензин (неэтилированный)

- Слегка ослабьте крышку топливного бака, чтобы выровнять давление внутри с атмосферным давлением.
 - Снимите крышку бака и залейте топливо, наклонив двигатель так, чтобы заливная горловина была расположена вертикально и из нее свободно выходил воздух. (Запрещается заливать топливо в маслозаливное отверстие.)
 - Очистите области, прилегающие к крышке топливного бака, чтобы предотвратить попадание инородных примесей в топливный бак.
 - По окончании заправки плотно затяните крышку топливного бака.
- Если крышка топливного бака повреждена, ее необходимо заменить.
 - Крышка топливного бака относится к расходным материалам, ее необходимо заменять через два-три года.



ПРАВИЛЬНОЕ ОБРАЩЕНИЕ С УСТРОЙСТВОМ

Прикрепление плечевого ремня

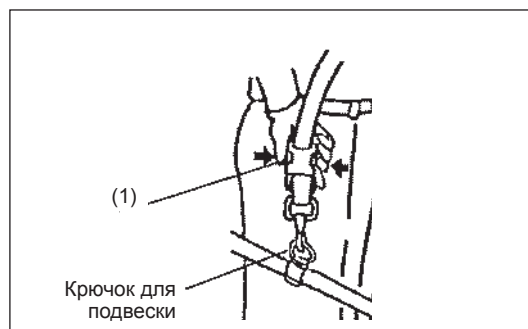
- Отрегулируйте ремень на необходимую для работы длину.

Отсоединение

- В экстренных случаях нажмите на выемки (1) с обеих сторон для сброса устройства.

Соблюдайте особую осторожность, чтобы сохранить в этот момент контроль над устройством. Не допускайте отклонения устройства по направлению к вам или к другим людям, находящимся поблизости.

ПРЕДОСТЕРЕЖЕНИЕ: Потеря контроля над устройством может привести к тяжелым травмам и ГИБЕЛИ.



ПРИМЕЧАНИЯ ПО ЭКСПЛУАТАЦИИ И ВЫКЛЮЧЕНИЮ УСТРОЙСТВА

Соблюдайте применимые правила техники безопасности!

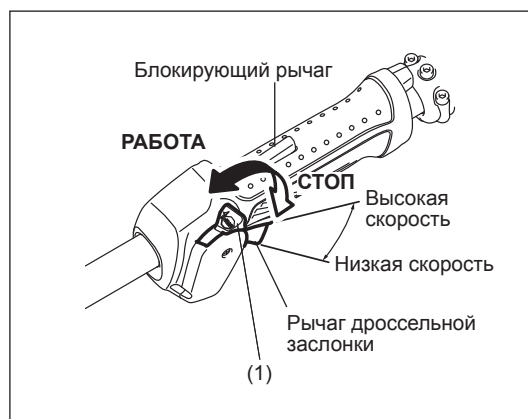


ПУСК

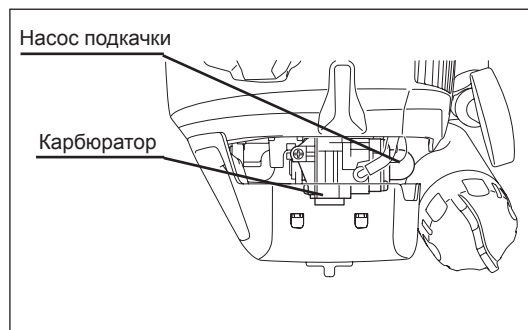
Отойдите не менее чем на 3 м от места заправки топливом. Положите многофункциональный бензомоторный привод для садовых насадок на свободный участок поверхности так, чтобы насадка не касалась земли или каких-либо предметов.

А: Холодный запуск

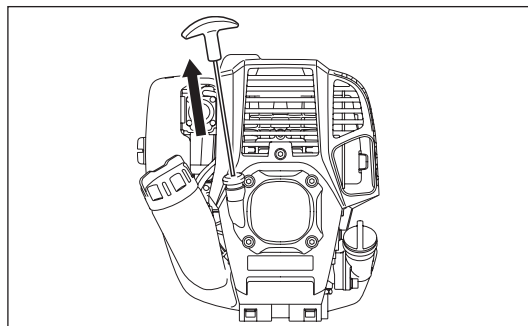
- 1) Положите устройство на ровную поверхность.
- 2) Переведите переключатель I-O (1) в положение РАБОТА.



- 3) Насос подкачки
Нажимайте на насос подкачки до тех пор, пока он не наполнится топливом.
(Обычно для этого требуется 7-10 качков.)
Если на насос подкачки нажать слишком много раз, излишек топлива перейдет обратно в топливный бак.



- 4) Ручной стартер
Аккуратно потяните пусковую рукоятку до момента, пока почувствуете сопротивление (точка сжатия). Верните пусковую рукоятку в исходное положение и затем сильно потяните.
Не вытягивайте шнур полностью. Потянув за пусковую рукоятку, не отпускайте ее сразу же. Удерживайте пусковую рукоятку, пока она возвращается в исходное положение.
- 5) Прогрев двигателя
Прогрейте двигатель в течение 2-3 минут.



Примечание: В случае перелива топлива выверните свечу зажигания и медленно потяните рукоятку стартера, чтобы удалить излишки топлива. Кроме того, протрите электроды свечи зажигания.

Предосторожности в ходе работы:

Если полностью открыть рычаг дроссельной заслонки на холостом ходу, обороты двигателя увеличатся до 10000 мин⁻¹ и более. Во время работы не превышайте нормальные рабочие обороты двигателя (6000 - 8500 мин⁻¹).

В: Запуск двигателя после прогрева

- 1) Нажмите несколько раз на насос подкачки.
- 2) Установите рычаг дроссельной заслонки в положение холостого хода.
- 3) Сильно потяните рукоятку стартера.
- 4) Если запустить двигатель не удастся, откройте дроссельную заслонку примерно на 1/3.
Обращайте внимание на насадку - она может вращаться.

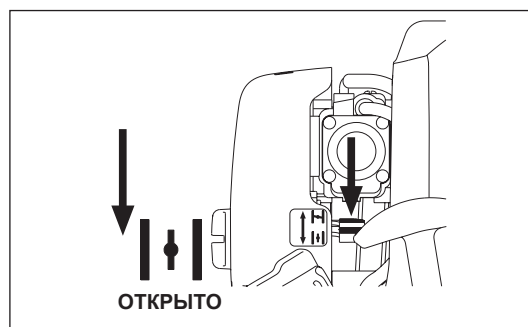
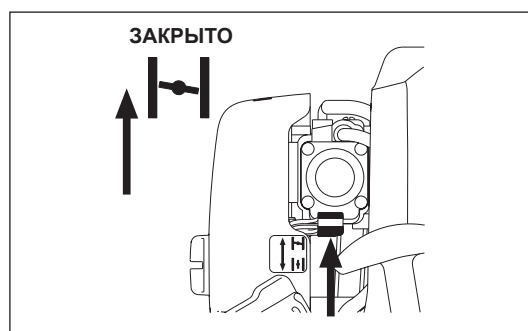
В случаях, когда запуск двигателя затруднен (например, зимой)

Для запуска двигателя используйте рычаг дросселирования и следующую процедуру.

- После выполнения этапов запуска двигателя 1) и 3), установите рычаг дросселирования заслонки в закрытое положение ("CLOSE").
- Выполните пункт запуска 4) и заведите двигатель.
- После запуска двигателя установите рычаг дросселирования в открытое положение ("OPEN").
- Выполните пункт запуска 5) и завершите процесс прогрева двигателя.

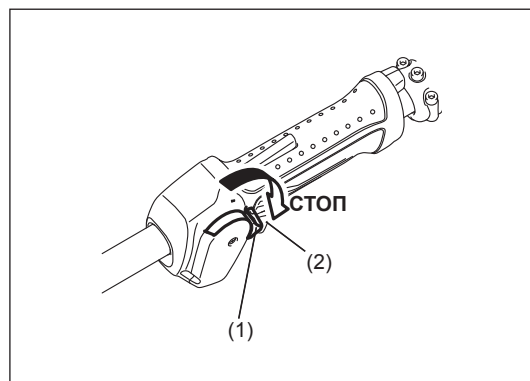
ПРЕДУПРЕЖДЕНИЕ: Если раздался хлопок (звук взрыва) и двигатель заглох, либо если только что запущенный двигатель глохнет до нажатия рычаг дросселирования, верните рычаг дросселирования в открытое положение ("OPEN") и несколько раз потяните за рукоятку стартера, чтобы завести двигатель.

ПРЕДУПРЕЖДЕНИЕ: Если оставить рычаг дросселирования в закрытом положении ("CLOSE") и потянуть рукоятку стартера несколько раз подряд, то запуск двигателя будет затруднен из-за перелива топлива.



ВЫКЛЮЧЕНИЕ

- 1) Полностью отпустите рычаг дроссельной заслонки (2); после снижения оборотов двигателя переведите переключатель I-O в положение СТОП - двигатель выключится.
- 2) Помните, что насадка может не остановиться сразу; дождитесь полного ее останова.

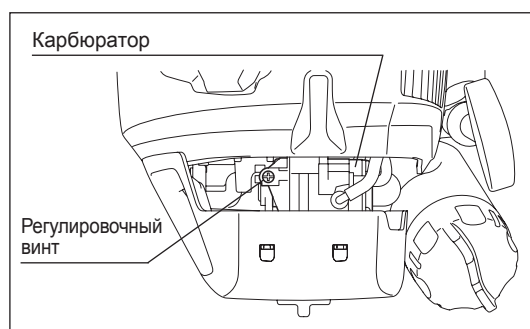


РЕГУЛИРОВКА ВРАЩЕНИЯ НА НИЗКОЙ СКОРОСТИ (ОБОРОТЫ ХОЛОСТОГО ХОДА)

Если необходимо отрегулировать низкие обороты (холостой ход), вращайте регулировочный винт карбюратора.

ПРОВЕРКА ВРАЩЕНИЯ НА НИЗКОЙ СКОРОСТИ

- Установите обороты холостого хода на уровне 3000 мин^{-1} . Если требуется изменить скорость вращения, вращайте регулировочный винт (см. рисунок справа) с помощью крестообразной отвертки.
- Поверните регулировочный винт вправо, обороты двигателя увеличатся. Поверните регулировочный винт влево, обороты двигателя уменьшатся.
- Предварительная настройка карбюратора выполняется перед отгрузкой устройства. Если требуется дополнительная регулировка, обратитесь в официальную сервисную службу.



УКАЗАНИЯ ПО ОБСЛУЖИВАНИЮ

ПРЕДУПРЕЖДЕНИЕ: Перед выполнением любых операций с многофункциональным бензомоторным приводом для садовых насадок обязательно выключите двигатель и отсоедините провод от свечи зажигания (см. раздел "Проверка свечи зажигания").

Обязательно надевайте защитные перчатки!

Запрещается использовать бензин, лигроин, растворитель, спирт и т.п. Это может привести к изменению цвета, деформации и появлению трещин.

Чтобы обеспечить длительный срок службы и предотвратить повреждение оборудования, необходимо регулярно выполнять следующие операции по уходу и обслуживанию.

Ежедневные проверки и обслуживание

- Перед началом работы проверьте надежность затяжки всех винтов и наличие всех деталей. Особое внимание обращайте на надежное крепление указанной насадки.
- Перед началом работы обязательно проверяйте чистоту воздушных патрубков и ребер охлаждения цилиндра. При необходимости очистите.
- Ежедневно по окончании работы выполняйте следующее:
 - Очищайте многофункциональный бензомоторный привод для садовых насадок снаружи и осматривайте на предмет повреждений.
 - Очищайте воздушный фильтр. В случае работы в условиях повышенной запыленности очищайте фильтр несколько раз в день.
 - Убедитесь, что между оборотами холостого хода и рабочими оборотами имеется значительная разница - это обеспечивает неподвижность насадки при холостых оборотах двигателя (при необходимости уменьшите обороты холостого хода).
- Проверьте работу переключателя I-O, блокирующего рычага и рычага управления.

ЗАМЕНА МОТОРНОГО МАСЛА

Загрязненное масло приводит к значительному сокращению срока службы подвижных и вращающихся деталей. Обязательно соблюдайте периодичность замены и надлежащие объемы заправки.



ВНИМАНИЕ: Обычно корпус двигателя и моторное масло после выключения двигателя горячие. При замене масла убедитесь, что двигатель и масло достаточно остыли. В противном случае можно получить ожог.

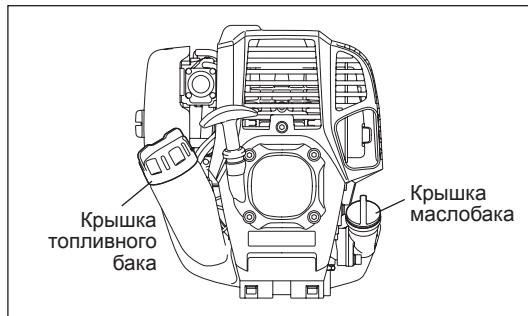
Примечание: В случае перелива масла оно может загрязниться или воспламениться с выделением белого дыма.

Периодичность замены: В начале через каждые 20 часов работы, затем через каждые 50 часов работы

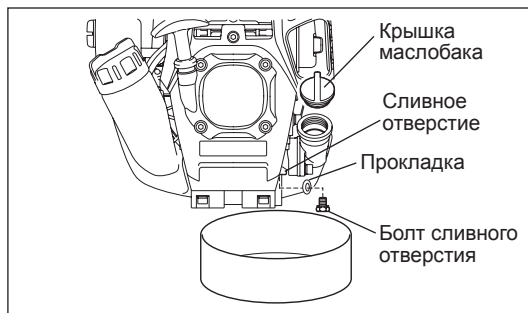
Рекомендованное масло: SAE 10W-30 по классификации API, класс SF или выше (4-тактный автомобильный двигатель)

При замене выполните следующую процедуру.

- 1) Убедитесь, что крышка топливного бака плотно закрыта.
- 2) Установите большую емкость (ведро и т.д.) под сливным отверстием.



- 3) Извлеките болт сливного отверстия, а затем снимите крышку маслобака, чтобы слить все масло через сливное отверстие. Не потеряйте прокладку болта сливного отверстия и не загрязните снятые компоненты.



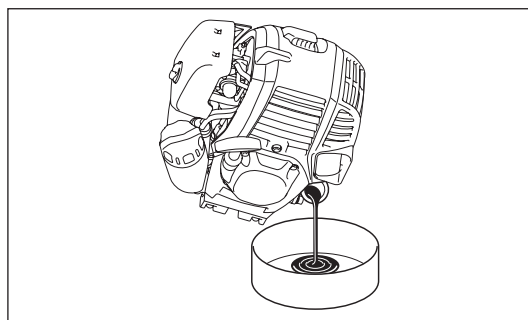
- 4) Как только все масло стекло, наденьте прокладку на болт сливного отверстия и надежно затяните болт, чтобы он не вывинтился и не стал причиной протечки.

* Протрите тканью все остатки масла на болту и оборудовании.

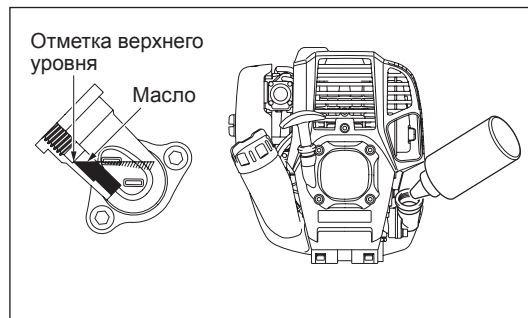
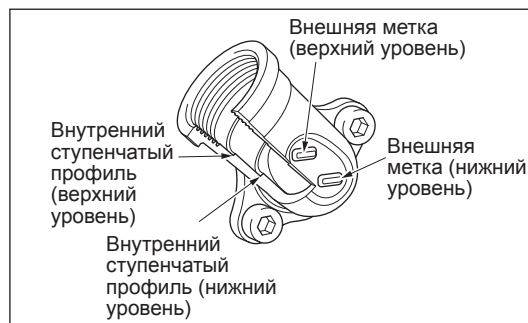
Альтернативный способ слива

Снимите крышку маслобака, наклоните многофункциональный бензомоторный привод для садовых насадок к заправочной горловине и слейте масло.

Соберите масло в емкость.



- 5) Установите двигатель горизонтально и постепенно заливаете масло до отметки верхнего уровня.
- 6) После этого закройте крышку маслобака, чтобы она не отвинтилась и не стала причиной утечки. Если крышка маслобака не притянута плотно, масло может протекать через нее.



ПРИМЕЧАНИЯ ПО МАСЛУ

- Не сливайте отработанное масло в мусор, на землю или в канализацию. Утилизация отработанного масла регулируется законодательством. При утилизации обязательно соблюдайте соответствующие законы и положения. Если какие-либо моменты остаются неясными, обратитесь в официальную сервисную службу.
- Рабочие характеристики масла ухудшаются, даже если оно хранится без использования. Регулярно выполняйте проверку и замену (масло заменяется через каждые 6 месяцев).

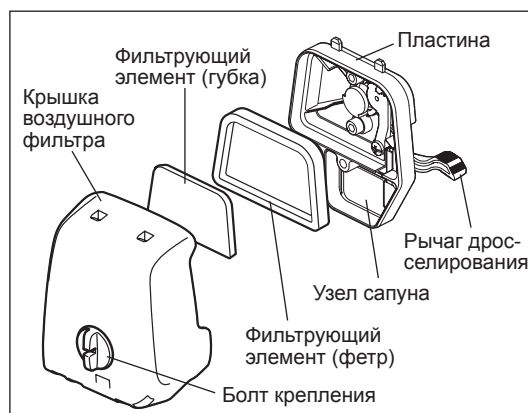
ОЧИСТКА ВОЗДУШНОГО ФИЛЬТРА



ОПАСНОСТЬ: СТРОГО ЗАПРЕЩАЕТСЯ ИСПОЛЬЗОВАНИЕ ОГНЕОПАСНЫХ МАТЕРИАЛОВ

Периодичность очистки и осмотра: Ежедневно (через каждые 10 часов работы)

- Поверните рычаг дросселирования в полностью закрытое положение и закройте карбюратор от пыли и грязи.
- Ослабьте болт крепления.
- Снимите крышку воздушного фильтра, потянув нижнюю часть в сторону.
- Снимите фильтрующие элементы и постучите по ним, чтобы удалить грязь.
- Если фильтрующие элементы сильно загрязнены: Извлеките фильтрующие элементы, опустите их в теплую воду или в водный раствор нейтрального моющего средства, затем просушите. Не сжимайте и не трите фильтрующие элементы во время промывки.
- Прежде чем устанавливать фильтрующие элементы, обязательно просушите их. Недостаточная просушка элементов может привести к затрудненному пуску двигателя.
- Протрите ветошью масло, скопившееся вокруг крышки воздушного фильтра и сапуна.
- Установите фильтрующий элемент (губка) в фильтрующий элемент (фетр). Установите фильтрующие элементы в корпус так, чтобы губка была обращена к крышке воздушного фильтра.
- Сразу подсоедините крышку фильтра и зафиксируйте ее болтами крепления. (При установке сначала фиксируйте верхний выступ, затем нижний.)



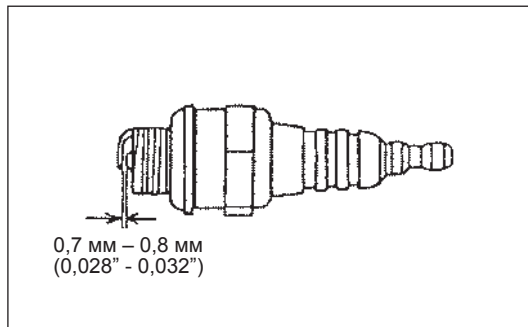
УВЕДОМЛЕНИЕ:

- Если фильтрующие элементы сильно запылены, очищайте их несколько раз в день. Загрязненные фильтрующие элементы снижают мощность двигателя и затрудняют его запуск.
- Удалите масло с фильтрующими элементами. Если продолжать работу с грязными фильтрами, масло из воздушного фильтра может вытечь наружу и привести к загрязнению окружающей среды.
- Не помещайте фильтрующие элементы на землю или загрязненную поверхность. В противном случае грязь или мусор попадут на элементы - это может привести к повреждению двигателя.
- Для очистки фильтрующих элементов запрещается использовать топливо. Топливо может повредить их.

ПРОВЕРКА СВЕЧИ ЗАЖИГАНИЯ

- Для извлечения и установки свечей зажигания используйте только ключ, входящий в комплект поставки.
- Зазор между электродами свечи зажигания должен составлять 0,7 - 0,8 мм (0,028" - 0,032"). Если зазор слишком маленький или слишком большой, отрегулируйте его. Если свеча зажигания засорена или загрязнена, тщательно очистите ее или замените.

ПРЕДУПРЕЖДЕНИЕ: Не прикасайтесь к разъему свечи зажигания при работающем двигателе (опасность поражения током высокого напряжения).



ОЧИСТКА ТОПЛИВНОГО ФИЛЬТРА

ПРЕДОСТЕРЕЖЕНИЕ: СТРОГО ЗАПРЕЩАЕТСЯ ИСПОЛЬЗОВАНИЕ ОГНЕОПАСНЫХ МАТЕРИАЛОВ

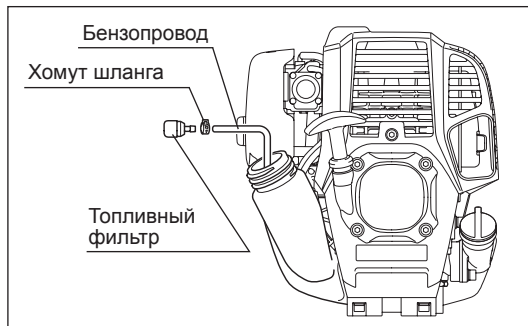
Периодичность очистки и осмотра: Ежемесячно (через каждые 50 часов работы)

Всасывающая головка в топливном баке

Периодически проверяйте топливный фильтр. Чтобы проверить состояние топливного фильтра, выполните следующие действия.

- (1) Снимите крышку топливного бака и полностью слейте топливо. Проверьте топливный бак изнутри на наличие посторонних веществ. При наличии посторонних веществ удалите их из бака.
- (2) С помощью проволочного крюка извлеките всасывающую головку через горловину бака.
- (3) Если топливный фильтр засорен незначительно, очистите его. Для очистки слегка встряхните его и погрузите в топливо. Во избежание повреждения не сжимайте и не трите фильтр. Топливо, которое использовалось для очистки фильтра, необходимо утилизировать в соответствии с местными законодательными требованиями. Если топливный фильтр стал твердым или сильно засорен, замените его.
- (4) После проверки, очистки или замены установите топливный фильтр до упора в нижнюю часть топливного бака.

Засоренный или поврежденный топливный фильтр может привести к недостаточной подаче топлива и снижению мощности двигателя. Заменяйте топливный фильтр как минимум один раз в квартал, чтобы обеспечить надлежащую подачу топлива в карбюратор.



ЗАМЕНА ТОПЛИВНОГО ПАТРУБКА

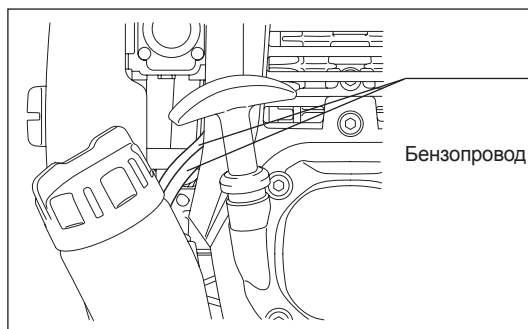
ПРЕДУПРЕЖДЕНИЕ: СТРОГО ЗАПРЕЩАЕТСЯ ИСПОЛЬЗОВАНИЕ ОГНЕОПАСНЫХ МАТЕРИАЛОВ

Периодичность очистки и осмотра: Ежедневно (через каждые 10 часов работы)

Замена: Ежегодно (через каждые 200 часов работы)

Заменяйте бензопровод ежегодно, независимо от частоты использования устройства. Утечка топлива может привести к возгоранию.

Если при осмотре выявлена утечка, немедленно замените бензопровод.



ОСМОТР БОЛТОВ, ГАЕК И ВИНТОВ

- Подтягивайте ослабленные болты, гайки и пр.
- Проверяйте на предмет утечек топлива и масла.
- Заменяйте поврежденные детали новыми, чтобы обеспечить безопасность эксплуатации.

ОЧИСТКА ДЕТАЛЕЙ

- Содержите двигатель в чистоте.
- Поддерживайте чистоту ребер охлаждения цилиндра. Пыль и грязь, скапливающиеся на ребрах, могут привести к заклиниванию поршня.

ЗАМЕНА ПРОКЛАДОК И САЛЬНИКОВ

При сборке двигателя после демонтажа обязательно заменяйте прокладки и сальники новыми.

Любые операции обслуживания или регулировки, не указанные в данном руководстве, должны выполняться сотрудниками официальной сервисной службы.

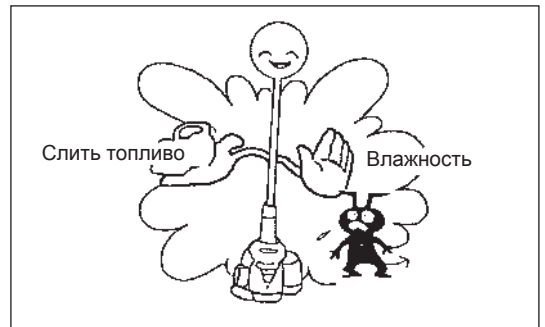


ПРЕДОСТЕРЕЖЕНИЕ: Сливая топливо, обязательно выключайте двигатель и проверяйте, что он остыл. Сразу после выключения двигателя он очень горячий - это может привести к ожогам, воспламенению и пожару.



ВНИМАНИЕ: Если устройство не эксплуатируется в течение длительного времени, слейте топливо из бака и карбюратора, и храните его в сухом и чистом месте.

- Слейте топливо из топливного бака и карбюратора в соответствии со следующей процедурой:
 - 1) Снимите крышку топливного бака и полностью слейте топливо. Если в топливном баке остались посторонние вещества, полностью удалите их.
 - 2) С помощью проволоки извлеките топливный фильтр через заливную горловину.
 - 3) Нажимайте на насос подкачки до тех пор, пока в нем не останется топлива, и слейте топливо, поступающее в топливный бак.
 - 4) Установите фильтр в топливный бак и плотно затяните крышку бака.
 - 5) затем запустите двигатель и дождитесь, пока он остановится.
- Извлеките свечу зажигания и капните несколько капель моторного масла через отверстие для свечи.
- Осторожно потяните рукоятку стартера, чтобы масло растеклось по двигателю, затем установите на место свечу.
- Не перемещайте рычаг в положение блокировки во время установки насадки. Если установить рычаг в положение блокировки без прикрепления насадки, он не позволит установить вал насадки.
- Рекомендуется хранить устройство горизонтально. Если это невозможно, установите устройство таким образом, чтобы блок двигателя был ниже режущего узла. В противном случае возможно вытекание моторного масла.
- Обязательно храните устройство в безопасном месте, чтобы предотвратить повреждение устройства и травмирование людей.
- Храните слитое топливо в специальной канистре в хорошо проветриваемом месте.



После длительного хранения

- Пред началом работы после длительного хранения обязательно замените масло (см. стр. 156). Пока устройство находится на хранении, качество масла снижается.

Поиск неисправностей

Неисправность	Система	Признак	Причина
Двигатель не запускается или запускается с трудом	Система зажигания	Искра зажигания в норме Искра отсутствует	Неисправность в подаче топлива или в системе компрессии, механический дефект Нажат переключатель СТОП, неисправность или короткое замыкание проводки, неисправна свеча зажигания или ее разъем, неисправность блока зажигания
	Подача топлива	Топливный бак заполнен	Неправильное положение дросселя, дефект карбюратора, погнут или засорен бензопровод, загрязнено топливо
	Компрессия	Отсутствует компрессия при вытягивании ручного стартера	Дефект прокладки дна цилиндра, повреждены сальники коленвала, дефект цилиндра или поршневых колец, либо негерметичное уплотнение свечи зажигания
Проблемы с горячим запуском	Механическая неисправность	Стартер не срабатывает	Сломана пружина стартера, повреждены внутренние компоненты двигателя
	Подача топлива	Топливный бак заполнен, искра есть	Загрязнен карбюратор - необходимо очистить
Двигатель запускается, но глохнет	Подача топлива	Бак заполнен	Неправильно отрегулированы обороты холостого хода, загрязнен карбюратор Дефект вентиляции топливного бака, засорение топливной магистрали, неисправность троса или переключатель СТОП
Недостаточная мощность	Могут быть повреждены одновременно несколько систем	Неустойчивая работа двигателя на холостых оборотах	Засорен воздушный фильтр, загрязнен карбюратор, засорен глушитель, засорена выпускной канал в цилиндре

Время работы Позиция		До начала работы	После смазки	Ежедневно (10 ч)	30 ч	50 ч	200 ч	Хранение/ консервация	Стр.
Моторное масло	Осмотр	○							152
	Замена					○*1			156
Затяжка деталей (болт, гайка)	Осмотр	○							158
Топливный бак	Очистка/осмотр	○							—
	Слить топливо							○*3	159
Рычаг дроссельной заслонки	Проверка функционирования		○						—
Выключатель	Проверка функционирования		○						155
Вращение на низкой скорости	Осмотр/ регулировка			○					155
Воздушный фильтр	Очистка			○					157
Свеча зажигания	Осмотр			○					158
Воздушный канал системы охлаждения	Очистка/осмотр			○					158
Бензопровод	Осмотр			○					158
	Замена						◎*2		—
Топливный фильтр	Очистка/замена					○			158
Зазор между клапанами впуска и выпуска воздуха	Регулировка						◎*2		—
Капитальный ремонт двигателя							◎*2		—
Карбюратор	Слить топливо							○*3	159

*1 Выполните первую замену после 20 ч работы.

*2 Осмотр после 200 часов работы должен выполняться официальной сервисной службой или в мастерской.

*3 После опорожнения топливного бака включите двигатель, чтобы выработать топливо из карбюратора.

Ознакомьтесь с инструкциями каждой насадки и выполните обслуживание после их использования.

ПОИСК И УСТРАНЕНИЕ НЕИСПРАВНОСТЕЙ

Прежде чем подавать заявку на ремонт, попробуйте найти и устранить неисправность самостоятельно. Если найдена неисправность, выполните действия, описанные в руководстве. Запрещается разбирать или снимать узлы, если это не указано в руководстве. Для выполнения ремонта обращайтесь в официальную сервисную службу или к местному дилеру компании.

Отклонение от нормального состояния	Возможная причина (неисправность)	Способ устранения
Двигатель не запускается	Не работает насос подкачки	Нажмите 7-10 раз
	Медленно движется трос стартера при вытягивании	Тяните сильнее
	Недостаточно топлива	Залейте топливо
	Засорен топливный фильтр	Очистка
	Погнута топливная трубка	Выпрямите топливную трубку
	Снизилось качество топлива	Некачественное топлива затрудняет пуск двигателя. Замените топливо. (Рекомендованная периодичность замены: 1 месяц)
	Перелив топлива	Установите рычаг дроссельной заслонки из положения средних оборотов в положение высоких оборотов, затем потяните рукоятку стартера, чтобы запустить двигатель. После запуска двигателя насадка начинает вращаться или двигаться. Обращайте на нее особое внимание. Если двигатель по-прежнему не запускается, извлеките свечу зажигания, вытрите насухо электрод и установите свечу на место. Затем запустите двигатель как указано в руководстве.
	Снят провод свечи	Надежно установите
	Свеча зажигания загрязнена	Очистка
	Неправильный зазор свечи зажигания	Отрегулируйте зазор
	Другие отклонения в свече зажигания	Замена
	Неисправность карбюратора	Подайте заявку на осмотр и обслуживание.
	Не удастся вытянуть трос стартера	Подайте заявку на осмотр и обслуживание.
Неисправность привода	Подайте заявку на осмотр и обслуживание.	
Двигатель быстро глохнет Не увеличиваются обороты двигателя	Недостаточный прогрев	Выполните процедуру прогрева двигателя
	Рычаг дросселирования установлен в положение "CLOSE" (закрыт), хотя двигатель прогрет.	Установите в положение "OPEN" (открыт)
	Засорен топливный фильтр	Очистить или заменить
	Загрязнен или засорен воздушный фильтр	Очистка
	Неисправность карбюратора	Подайте заявку на осмотр и обслуживание.
	Неисправность привода	Подайте заявку на осмотр и обслуживание.
Насадка не вращается или не движется ↓ Немедленно выключите двигатель	Насадка не установлена в соответствующую точку.	Вставьте ее как указано в инструкции.
	Неисправность привода	Подайте заявку на осмотр и обслуживание.
Сильная вибрация основного блока ↓ Немедленно выключите двигатель	Насадка не установлена в соответствующую точку.	Вставьте ее как указано в инструкции.
	Ослаблен рычаг	Затяните болты.
	Неисправность привода	Подайте заявку на осмотр и обслуживание.
Насадка останавливается не сразу ↓ Немедленно выключите двигатель	Высокие обороты холостого хода	Регулировка
	Отсоединен провод дроссельной заслонки	Надежно установите
	Неисправность привода	Подайте заявку на осмотр и обслуживание.
Двигатель не выключается ↓ Дайте двигателю поработать на холостых оборотах и установите рычаг дросселирования в положение CLOSE (закрыт)	Отсоединен разъем	Надежно установите
	Неисправность в электросистеме	Подайте заявку на осмотр и обслуживание.

Если двигатель не запускается после прогрева:

Если в результате проверки неисправность не выявлена, откройте дроссельную заслонку примерно на 1/3 и запустите двигатель.

Makita Europe N.V. Jan-Baptist Vinkstraat 2,
3070 Kortenberg, Belgium

Makita Corporation 3-11-8, Sumiyoshi-cho,
Anjo, Aichi 446-8502 Japan