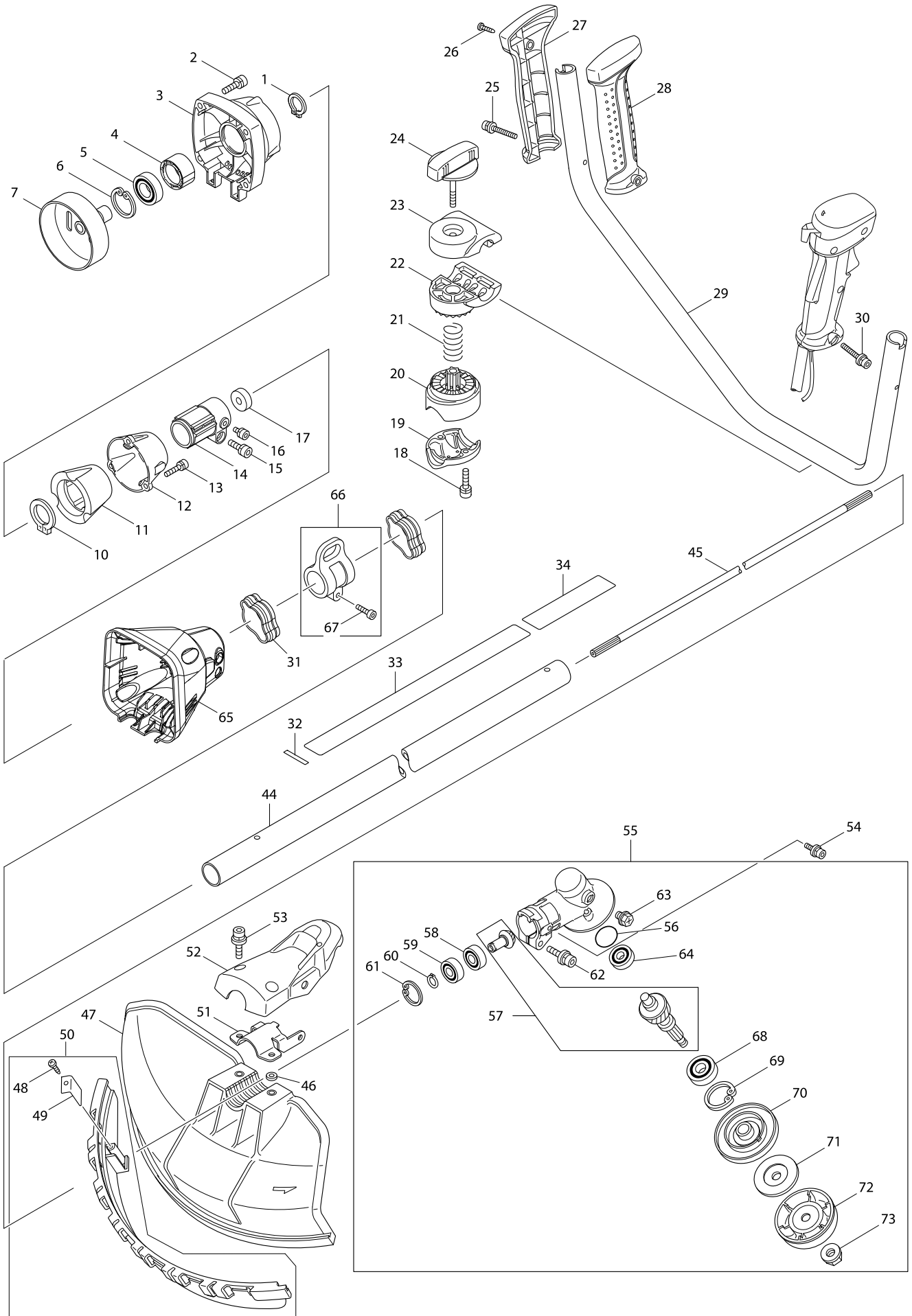
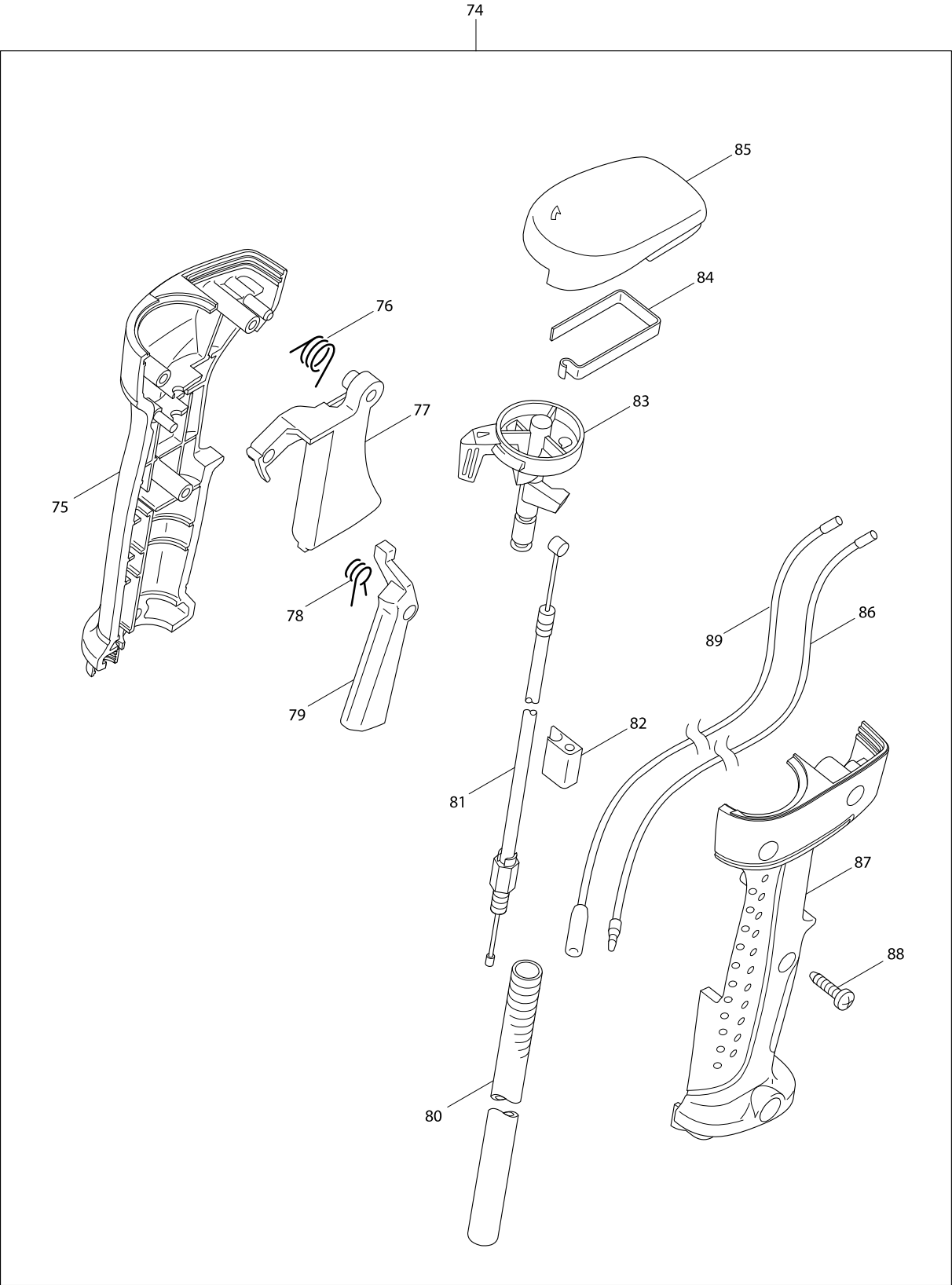


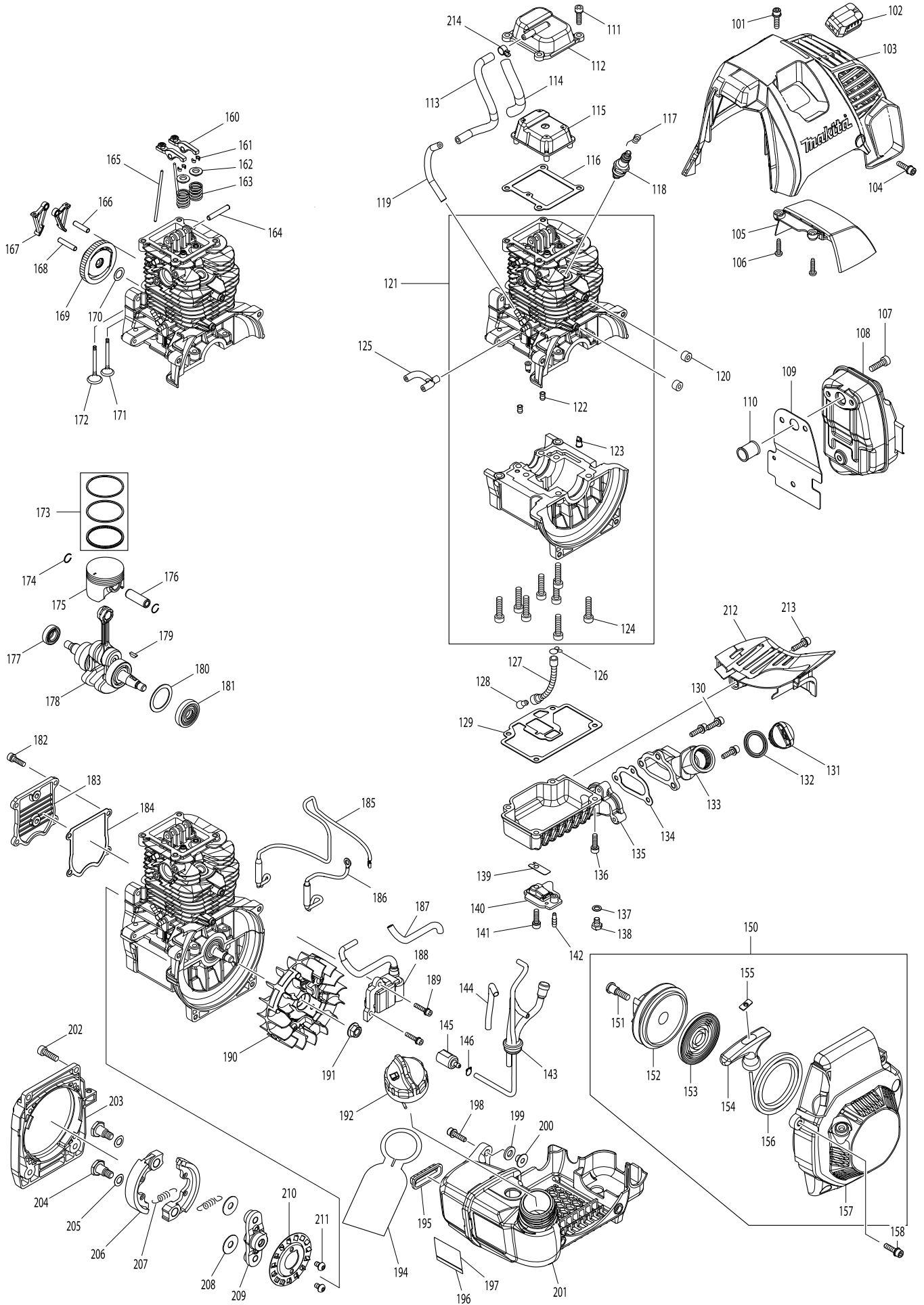
# Model No. EM4350UH PETROL BRUSHCUTTER



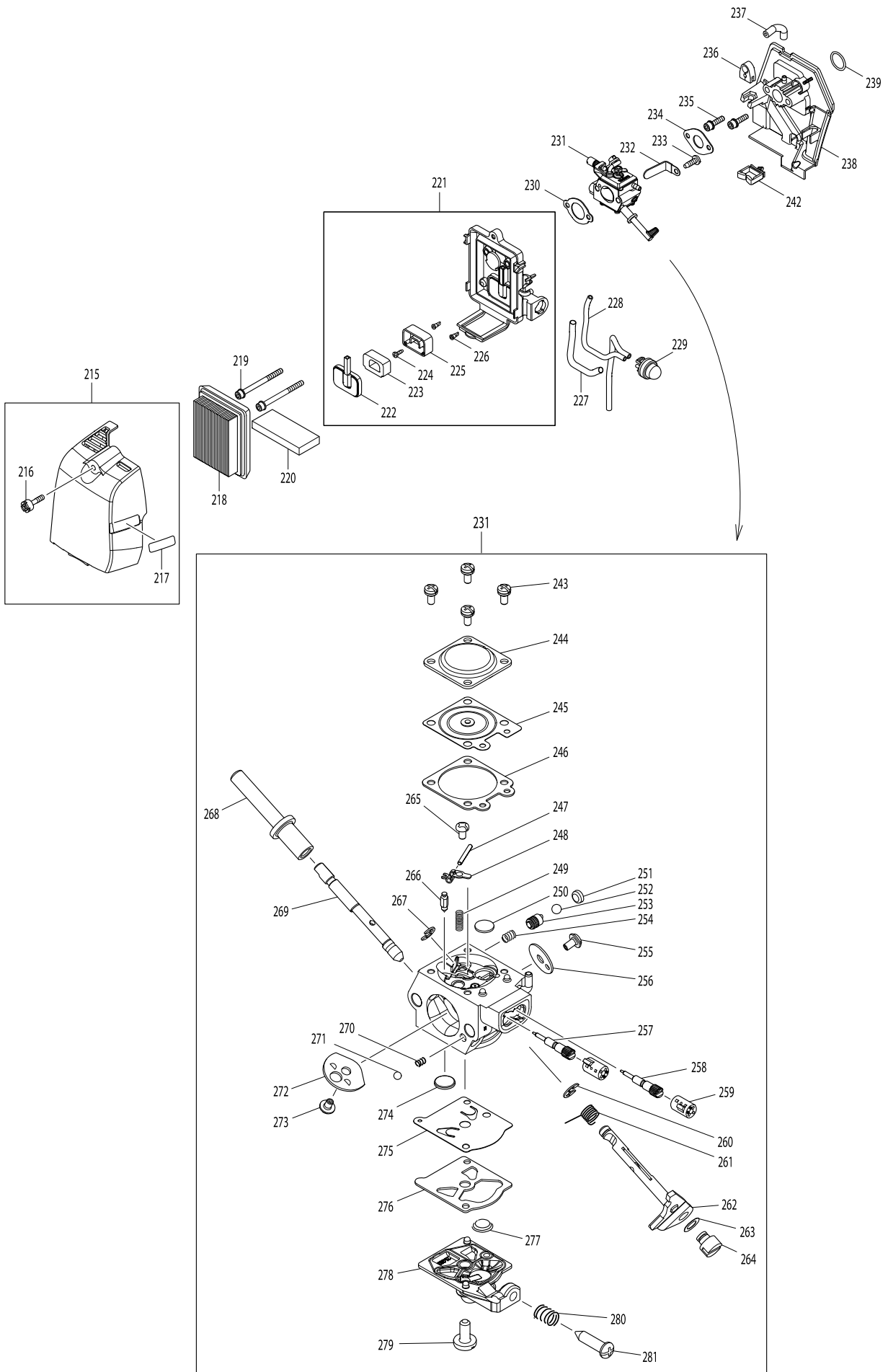
Model No. EM4350UH PETROL BRUSHCUTTER



# Model No. EM4350UH PETROL BRUSHCUTTER



# Model No. EM4350UH PETROL BRUSHCUTTER



# Model No. EM4350UH PETROL BRUSHCUTTER

Item	Parts No.	Description	I/C	Qty	N/O	Opt. 1	Opt. 2	Note
001	961057-5	RETAINING RING S-17		1				
002	922331-6	HEX. SOCKET HEAD BOLT M6X20		4				
003	318421-5	CLUTCH CASE		1				
004	451157-4	SPACER		1				
005	210138-5	BALL BEARING 6003LLU		1	*			
005-1	211338-0	BALL BEARINNG 6003LLU	O	1				
006	962153-2	RETAINING RING R-35		1				
007	168742-3	CLUTCH DRUM		1				
010	961151-3	RETAINING RING S-32		1				
011	424204-4	DAMPER		1				
012	318453-2	PIPE RETAINER		1				
013	922231-0	HEX. SOCKET HEAD BOLT M5X20		3				
014	318454-0	PIPE BRACKET		1				
015	922331-6	HEX. SOCKET HEAD BOLT M6X20		1				
016	922201-9	HEX. SOCKET HEAD BOLT M5X8		1				
017	443146-3	FELT RING 8		1				
018	922341-3	HEX. SOCKET HEAD BOLT M6X25		2				
019	318422-3	PIPE CLAMP		1				
020	318423-1	PIPE HOLDER		1				
021	233202-5	COMPRESSION SPRING 20		1				
022	318424-9	HANDLE HOLDER		1				
023	318425-7	HANDLE CLAMP		1				
024	168796-0	KNOB 57		1				
025	911256-9	PAN HEAD SCREW M5X35		1				
026	266326-2	TAPPING SCREW 4X18		1				
027	188660-9	GRIP SET		1				
D10		INC. 28						
028	188660-9	GRIP SET		1				
D10		INC. 27						
029	331863-6	HANDLE 22		1				
030	911256-9	PAN HEAD SCREW M5X35		1				
031	451525-1	WIRE CLAMP		2				
032	801D20-9	SERIAL NO. LABEL		1				
033	898823-6	CAUTION LABEL		1	*			
033-1	803A00-3	CAUTION LABEL	O	1				
034	819312-8	MAKITA LOGO LABEL		1				
044	140042-3	SHAFT PIPE COMPLETE		1				
045	325675-7	SHAFT		1				
046	413143-3	WASHER		2				
047	452259-9	PROTECTOR		1				
048	266326-2	TAPPING SCREW 4X18		1				
049	346074-0	CUTTER		1				
050	135398-7	PROTECTOR EXTENSION ASSY		1				
D10		INC. 48,49						
051	346072-4	PROTECTOR CLAMP		1				
052	451090-0	PROTECTOR COVER		1				
053	266579-3	HEX SOCKET HEAD BOLT M6X30		2				
054	266865-2	H.S.H.BOLT M5X14 WITH WR		2				

# Model No. EM4350UH PETROL BRUSHCUTTER

Item	Parts No.	Description	I/C	Qty	N/O	Opt. 1	Opt. 2	Note
055	126260-7	GEAR CASE ASSEMBLY		1				
D10		INC. 56-64,68-73						
056	213459-4	O RING 32		1				
057	188865-1	CUTTER SHAFT SET		1				
058	211064-1	BALL BEARING 6000		1				
059	211062-5	BALL BEARING 6000ZZ		1				
060	961006-2	RETAINING RING S-10		1				
061	962105-3	RETAINING RING R-26		1				
062	922353-6	HEX.SOCKET HEAD BOLT M6X30		1				
063	265590-2	+HEX.BOLT M8X10 WITH R		1				
064	210081-8	BALL BEARING 629ZZ		1				
065	453883-1	CLUTCH CASE COVER		1				
066	125558-9	HANGER ASSEMBLY		1				
D10		INC. 67						
067	266698-5	HEX. SOCKET HEAD BOLT M5X20		1				
068	210116-5	BALL BEARING 6201LLU		1				
069	962151-6	RETAINING RING R-32		1				
070	331860-2	RECEIVE WASHER		1	*			
070-1	332114-0	RECEIVE WASHER	<	1				
071	346355-2	CLAMP WASHER		1				
072	168526-9	CUP		1				
073	264025-0	HEX. NUT M10-17		1				
074	126163-5	CONTROL LEVER ASSEMBLY		1				
D10		INC. 75-86,88,89						
075	188657-8	LEVER CASE SET		1	*			
D10		INC. 87			*			
075-1	183A09-4	LEVER CASE SET	S	1				
D10		INC. 87						
076	233540-5	TORSION SPRING 11		1				
077	451084-5	THROTTLE LEVER		1				
078	233541-3	TORSION SPRING 7		1				
079	451083-7	LOCK OFF LEVER		1				
080	453707-1	CORRUGATE TUBE		1				
081	168740-7	CONTROL CABLE		1				
082	451081-1	CABLE HOLDER		1				
083	451500-7	SWITCH LEVER		1				
084	232251-9	LEAF SPRING		1				
085	451253-8	SWITCH COVER		1	*			
085-1	455723-9	SWITCH COVER	S	1				
086	638983-0	LEAD UNIT		1				
087	188657-8	LEVER CASE SET		1	*			
D10		INC. 75			*			
087-1	183A09-4	LEVER CASE SET	S	1				
D10		INC. 75						
088	266326-2	TAPPING SCREW 4X18		3				
089	638984-8	LEAD UNIT		1				
101	922233-6	HEX SOCKET HEAD BOLT M5X20		1				
102	424302-4	PLUG CAP		1				

# Model No. EM4350UH PETROL BRUSHCUTTER

Item	Parts No.	Description	I/C	Qty	N/O	Opt. 1	Opt. 2	Note
103	453535-4	CYLINDER COVER		1	*			
103-1	455103-9	CYLINDER COVER	S	1				
104	922233-6	HEX SOCKET HEAD BOLT M5X20		1				
105	453536-2	MUFFLER COVER		1				
106	265995-6	TAPPING SCREW 4X18		2				
107	922332-4	HEX. SOCKET HEAD BOLT M6X20		3				
108	168715-6	EXHAUST MUFFLER		1				
109	346574-0	MUFFLER GASKET		1				
110	331987-8	EXHAUST PORT SPACER		1				
111	922226-3	HEX. SOCKET HEAD BOLT M5X18		4				
112	318850-2	ROCKER COVER OUTER		1				
113	422091-5	TUBE 5-160		1				
114	454424-6	CORRUGATE TUBE		1				
115	453529-9	ROCKER COVER INNER		1				
116	162335-8	ROCKER COVER GASKET		1				
117	324891-8	PLUG CAP SPRING		1				
118	168401-9	SPARK PLUG		1				
119	422090-7	TUBE 3-85		1				
120	452049-0	SPACER		2				
121	135557-3	CYLINDER BLOCK ASSEMBLY		1	*			
D10		INC. 122-124			*			
121-1	135659-5	CYLINDER BLOCK ASS'Y	S	1				
D10		INC. 122-124						
122	424200-2	SPACER		2				
123	424201-0	CHECK VALVE		2				
124	922342-1	HEX. SOCKET HEAD BOLT M6X25		8				
125	422099-9	PIPE		1				
126	282020-8	HOSE CLAMP		1	*			
126-1	282020-8	HOSE CLAMP	O	1				
127	424301-6	OIL TUBE		1	*			
127-1	125805-8	OIL TUBE ASSEMBLY	S	1				
C10	424301-6	OIL TUBE		1				
D10		INC. 126,128						
128	325666-8	OIL WEIGHT		1	*			
128-1	325666-8	OIL WEIGHT	O	1				
129	162337-4	OIL CASE GASKET		1				
130	266760-6	H.S.H.BOLT M5X18 WITH WRM		3				
131	452047-4	OIL CAP		1				
132	424343-0	GASKET		1				
133	453538-8	OIL PIPE		1				
134	162338-2	OIL PIPE GASKET		1				
135	318854-4	OIL CASE		1				
136	922226-3	HEX. SOCKET HEAD BOLT M5X18		4				
137	346305-7	GASKET		1				
138	266611-3	HEX BOLT M6X8		1				
139	346398-4	LEAD VALVE		1				
140	318851-0	RETAINER PLATE		1				
141	922226-3	HEX. SOCKET HEAD BOLT M5X18		1				

# Model No. EM4350UH PETROL BRUSHCUTTER

Item	Parts No.	Description	I/C	Qty	N/O	Opt. 1	Opt. 2	Note
142	325665-0	JOINT PIPE		1				
143	168724-5	TUBE COMPLETE		1				
144	454426-2	SPIRAL TUBE 6-80		1				
145	163518-3	GASOLINE FILTER		1				
146	282020-8	HOSE CLAMP		1				
150	126119-8	STARTER COVER ASSEMBLY		1				
D10		INC. 151-157						
151	266634-1	SET SCREW M6X20		1				
152	452288-2	REEL		1				
153	232262-4	SPIRAL SPRING		1				
154	424361-8	STARTER KNOB		1				
155	424360-0	ROPE STOPPER		1				
156	444027-4	STARTER ROPE		1				
157	453534-6	STARTER COVER		1				
158	922233-6	HEX SOCKET HEAD BOLT M5X20		4				
160	126116-4	ROCKER ARM ASSEMBLY		2				
161	331990-9	COTTER		4				
162	331991-7	RETAINER		2				
163	234238-7	COMPRESSION SPRING 11		2				
164	256200-2	PIN 5		1				
165	256866-8	ROD 2.5		2				
166	268238-5	PIN 5		1				
167	313236-5	CAM LIFTER		2				
168	256186-0	PIN 5		1				
169	126115-6	CAM GEAR ASSEMBLY		1	*			
169-1	126495-0	CAM GEAR ASSEMBLY	<	1	*			
169-2	126556-6	CAMGEAR ASSEMBLY	<	1	*			
169-3	126571-0	CAMGEAR ASSEMBLY	<	1				
170	261127-3	TEFLON WASHER 10		1				
171	326158-0	EXHAUST VALVE		1	*			
171-1	326498-6	EXHAUST VALVE	S	1	*			
171-2	326575-4	EXHAUST VALVE	<	1				
172	326157-2	INTAKE VALVE		1				
173	196667-1	PISTON RING SET		1				
174	233983-1	CLIP		2				
175	318853-6	PISTON		1	*			
175-1	197455-9	PISTON SET	<	1				
C10	318853-6	PISTON		1				
D10		INC. 173,174						
176	268285-6	PISTON PIN		1				
177	213685-5	OIL SEAL 12		1				
178	126121-1	CRANK SHAFT ASSEMBLY		1				
D10		INC. 177,180,181						
179	254040-2	WOODRUFF KEY 3		1				
180	267425-3	FLAT WASHER 26		1				
181	213537-0	OIL SEAL 12		1				
182	266086-6	HEX. SOCKET HEAD BOLT M5X16		4				
183	318856-0	CAM GEAR COVER		1				



# Model No. EM4350UH PETROL BRUSHCUTTER

Item	Parts No.	Description	I/C	Qty	N/O	Opt. 1	Opt. 2	Note
184	162334-0	CAM GEAR COVER GASKET		1				
185	638974-1	LEAD UNIT		1				
186	638975-9	LEAD UNIT		1				
187	444021-6	TUBE		1				
188	168714-8	IGNITION COIL		1				
189	266602-4	HEX. SOCKET HEAD BOLT M4X20		2				
190	126122-9	FLYWHEEL COMPLETE		1				
191	264075-5	COLLARD HEX NUT M8		1	*			
191-1	264039-9	CONED DISK SPRING HEXNUT M8-13	<	1	*			
191-2	264039-9	CONED DISK SPRING HEXNUT M8-13	<	1				
192	125728-0	FUEL TANK CAP ASSEMBLY		1				
194	810455-9	CAUTION PLATE		1				
195	424081-4	BUFFER RUBBER		1				
196	897220-3	SERIAL NO. LABEL		1				
197	898842-2	GAS EMISSION APPROVAL LABEL		1				
198	922233-6	HEX SOCKET HEAD BOLT M5X20		1				
199	261152-4	RUBBER WASHER 8		1				
200	331988-6	SPACER		1				
201	168718-0	FUEL TANK		1	*			
201-1	168875-4	FUEL TANK	<	1				
202	922332-4	HEX. SOCKET HEAD BOLT M6X20		4				
203	318852-8	ENGINE BASE		1				
204	266597-1	SHOULDER HEX. BOLT M8		2				
205	267832-0	WAVE WASHER 10		2				
206	313238-1	CLUTCH SHOE		2				
207	231880-5	TENSION SPRING 5		2	*			
207-1	232290-9	TENSION SPRING 6	<	2				
208	267428-7	FLAT WASHER 8		2				
209	313239-9	CLUTCH BASE		1				
210	346576-6	FAN PLATE		1				
211	266461-6	H.S.BUTTON HEAD SCREW M5X8		2				
212	453530-4	MUFFLER PLATE		1				
213	922233-6	HEX SOCKET HEAD BOLT M5X20		1	*			
213-1	266760-6	H.S.H.BOLT M5X18 WITH WRM	<	1				
214	345918-1	HOSE CLAMP		1				
215	126118-0	CLEANER COVER ASSEMBLY		1	*			
C10	801S44-5	INDICATION LABEL		1	*			
D10		INC. 216,217			*			
215-1	126474-8	CLEANER COVER ASSEMBLY	S	1	*			
C10	801S44-5	INDICATION LABEL		1	*			
D10		INC. 216,217			*			
215-2	126523-1	CLEANER COVER ASSEMBLY	S	1				
D10		INC. 216,217						
216	266743-6	HEX.SOCKET HEAD BOLT M5X20		1	*			
216-1	266743-6	HEX.SOCKET HEAD BOLT M5X20	O	2				
217	898844-8	INDICATION LABEL		1				
218	442181-8	AIR CLEANER ELEMENT		1				
219	266601-6	HEX. SOCKET HEAD BOLT M5X60		2	*			

# Model No. EM4350UH PETROL BRUSHCUTTER

Item	Parts No.	Description	I/C	Qty	N/O	Opt. 1	Opt. 2	Note
219-1	266601-6	HEX. SOCKET HEAD BOLT M5X60	S	2				
220	443173-0	AIR CLEANER ELEMENT		1	*			
220-1	443196-8	AIR CLEANER ELEMENT	S	1				
221	126117-2	CLEANER PLATE ASSEMBLY		1	*			
D10		INC. 222-226			*			
221-1	123994-3	CLEANER PLATE ASSEMBLY	S	1				
D10		INC. 222-226						
222	162346-3	SEPARATOR PLATE		1				
223	352020-3	SEPARATOR MESH		1				
224	266007-8	TAPPING SCREW BIND PT 3X10		1				
225	453865-3	SEPARATOR CASE		1				
226	424316-3	CHECK VALVE		2				
227	454425-4	SPIRAL TUBE 6-100		1				
228	422074-5	TUBE 3-120		1				
229	168398-2	PRIMER PUMP		1				
230	442196-5	CARBURETOR GASKET		1				
231	126339-4	CARBURETOR ASSEMBLY		1	*			
231-1	126339-4	CARBURETOR ASSEMBLY	O	1				
232	345963-6	CLAMP		1				
233	266388-0	TAPPING SCREW 5X16		1				
234	442197-3	CARBURETOR GASKET		1				
235	922233-6	HEX SOCKET HEAD BOLT M5X20		2	*			
235-1	266814-9	HEX SOCKET HEAD BOLT M5X20	<	2				
236	424489-2	GROMMET		1				
237	422080-0	TUBE 3-35		1				
238	142128-9	INSULATOR COMPLETE		1	*			
238-1	142736-6	INSULATOR COMPLETE	S	1				
239	213642-3	O-RING 18		1				
240	819430-2	CAUTION TAG		1				
241	898817-1	EM4350UH MODEL NO. LABEL		1				
242	451825-9	CLAMP		1				
243	WJ00096589	SCREW ASSEMBLY		1				
244	WJ00021158	METERING DIAPHRAGM COVER		1				
245	168620-7	METERING DIAPHRAGM		1				
246	442183-4	METERING DIAPHRAGM GASKET		1				
247	WJ00014477	METERING LEVER PIN		1				
248	WJ00016648	LEVER		1				
249	WJ00983248	SPRING		1				
250	5416036160	PLUG-WELCH		1				
251	WJ00088229	CUP PLUG		1				
252	5806084330	STEEL BALL		1				
253	WJ00160593	ACCELERATOR PISTON ASSEMBLY		1				
254	WJ00983305	SPRING		1				
255	WJ00963240	SCREW		1				
256	WJ00343562	THROTTLE VALVE		1				
257	WJ01023345	HIGH SPEED NEEDLE		1				
258	WJ01023344	IDLE NEEDLE		1				
259	WJ00025162	LIMITER CAP		1				

