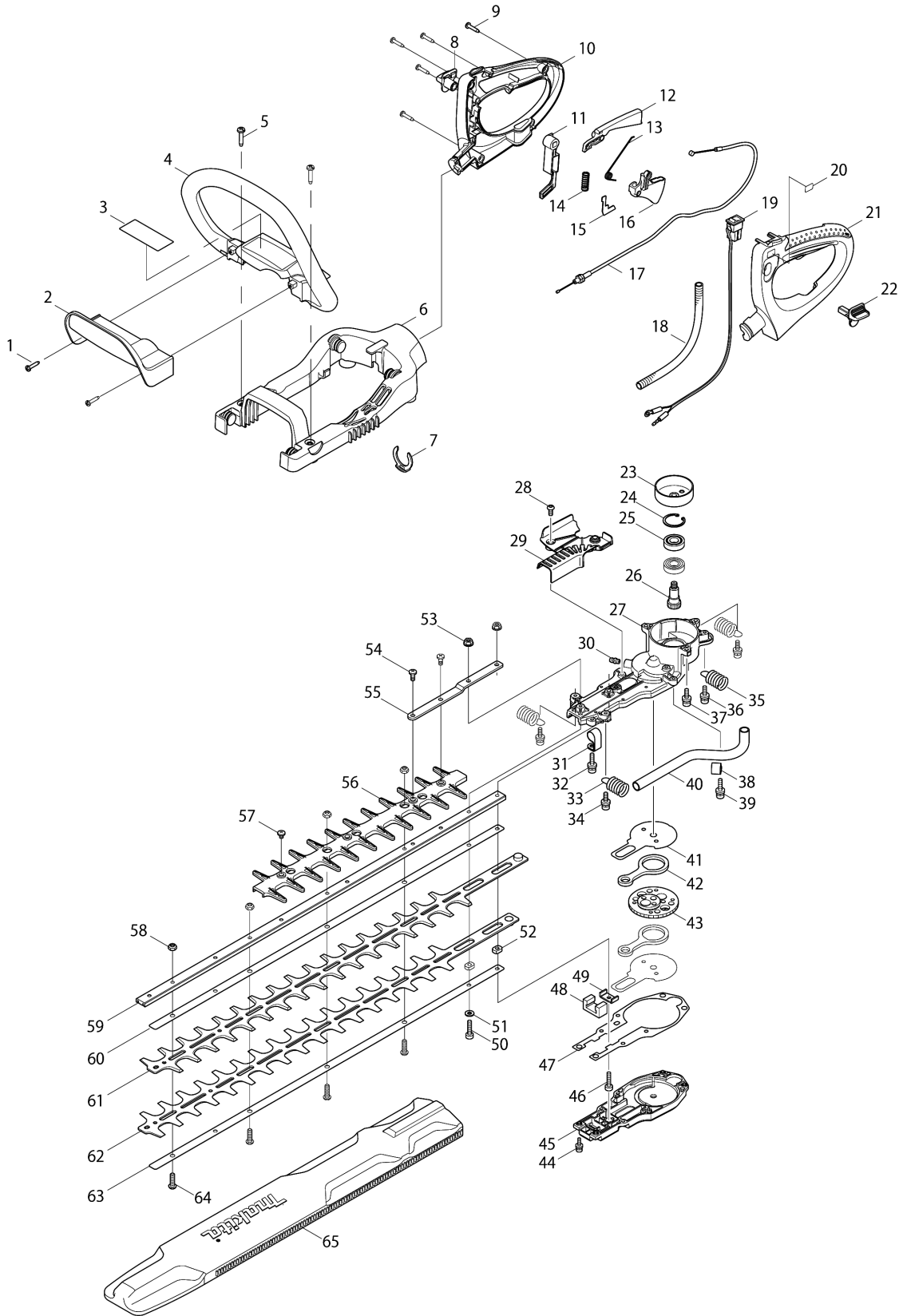
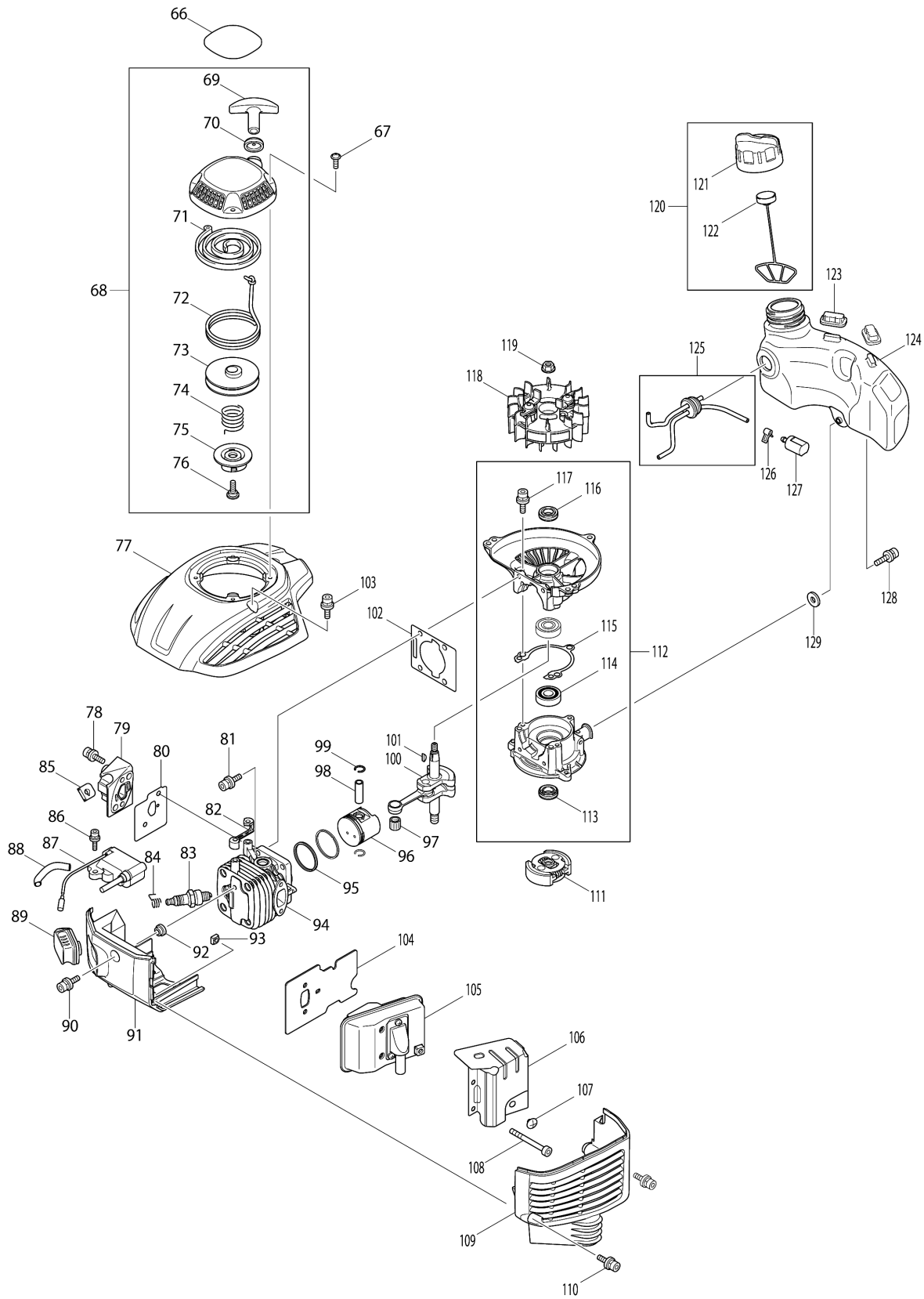


Model No.EH6000W PETROL HEDGE TRIMMER



Model No.EH6000W PETROL HEDGE TRIMMER





Model No.EH6000W PETROL HEDGE TRIMMER

Item	Parts No.	Description	I/C	Qty	New/Old	Opt. 1	Opt. 2	Note
001	266045-0	TAPPING SCREW 4X20		2				
002	452322-8	GUARD		1				
003	892383-0	CAUTION LABEL		1				
004	452321-0	LOOP HANDLE		1				
005	266041-8	TAPPING SCREW 5X25		2				
006	452319-7	HANDLE BASE		1				
007	452323-6	STOP RING 25		1				
008	452316-3	LOCK LEVER B		1				
009	266045-0	TAPPING SCREW 4X20		5				
011	452314-7	STOPPER		1				
012	452313-9	TRIGGER B		1				
013	233579-8	TORSION SPRING 8		1				
014	234204-4	COMPRESSION SPRING 8		1				
015	413153-0	PLATE		1				
016	452312-1	TRIGGER A		1				
017	168625-7	CONTROL CABLE		1				
018	452324-4	CORRUGATE TUBE		1				
019	125858-7	SWITCH ASSEMBLY		1				
020	892384-8	INDICATION LABEL		1				
021-1	187049-8	LEVER CASE SET		1				
022	452315-5	LOCK LEVER A		1				
023	168567-5	CLUTCH DRUM		1				
024	0031428000	INNER SNAP RING		1	*			
024-1	962106-1	RETAINING RING R-28	O	1				
025	0600129780	BALL BEARING		2	*			
025-1	211138-8	BALL BEARING 6001LLU	O	2				
026	227247-3	SPUR GEAR 9		1	*			
026-1	221600-5	SPUR GEAR 9	O	1				
027	141033-7	GEAR CASE COMPLETE		1				
028	0119059400	SOCKET HEAD BOLT M5X12		2	*			
028-1	922212-4	HEX. SOCKET HEAD BOLT M5X12	O	2				
029	451865-7	BAFFLE PLATE		1				
030	243107-1	GREASE NIPPLE		1				
031	346253-0	CLAMP		1				
032	0119059780	SOCKET HEAD BOLT M5X12		1	*			
032-1	922213-2	H.S.H.BOLT M5X12 WITH WR	O	1				
033	234224-8	COMPRESSION SPRING 15		2				
034	0119059360	SOCKET HEAD BOLT		2	*			
034-1	922224-7	H.S.H.BOLT M5X16 WITH WG	O	2				
035	234202-8	COMPRESSION SPRING 15		2				
036	0119059360	SOCKET HEAD BOLT		2	*			
036-1	922224-7	H.S.H.BOLT M5X16 WITH WG	O	2				

Please order the parts with part number.

Print Date 27/3/2020

Model No.EH6000W PETROL HEDGE TRIMMER

Item	Parts No.	Description	I/C	Qty	New/Old	Opt. 1	Opt. 2	Note
037-1	266787-6	H.S.H.BOLT M5X18 WITH WR		3				
038	346252-2	CLAMP		1				
039	0119059780	SOCKET HEAD BOLT M5X12		1	*			
039-1	922213-2	H.S.H.BOLT M5X12 WITH WR	O	1				
040	331896-1	PIPE		1				
041	346255-6	FRICTION PLATE		2				
042	346251-4	CONNECTING ROD		2				
043	227248-1	SPUR GEAR 43		1	*			
043-1	227248-1	SPUR GEAR 43	O	1				
044	922128-3	HEX. SOCKET HEAD BOLT M4X16		8				
045	318610-2	GEAR CASE COVER		1				
046-1	266573-5	HEX. SOCKET HEAD BOLT M5X33		1				
047	413137-8	GEAR CASE GASKET		1				
048	443159-4	SEAL		1				
049	346256-4	HOLDER		1				
050-1	266573-5	HEX. SOCKET HEAD BOLT M5X33		1				
051	0031105003	WASHER		1	*			
051-1	941101-4	FLAT WASHER 5	O	1				
052	313195-3	SLEEVE 5		2				
053	0023705000	FLANGE NUT M5		2				
054	0140059490	SCREW		2	*			
054-1	266874-1	H.S.H.BOLT M5X14	<	2				
055	346514-8	PLATE		1	*			
055-1	346663-1	PLATE	O	1				
056	452325-2	BLADE GUARD		1	*			
056-1	454672-7	BLADE GUARD	<	1				
057	915211-3	BINDING HEAD SCREW M5X12		2				
058	264036-5	HEX.LOCK NUT M6-10		4	*			
058-1	264089-4	HEX. LOCK NUT M6-10	O	4				
059	331895-3	GUIDE BAR		1	*			
059-1	332059-2	GUIDE BAR	O	1				
060	346258-0	PLATE		1	*			
060-1	346666-5	PLATE	O	1				
061	725170-1	SHEAR BLADE		1	*			
061-1	725184-0	SHEAR BLADE	O	1				
062	725170-1	SHEAR BLADE		1	*			
062-1	725184-0	SHEAR BLADE	O	1				
063	346258-0	PLATE		1	*			
063-1	346666-5	PLATE	O	1				
064	266578-5	SOCKET BUTTON HEAD BOLT M6X20		4	*			

Model No.EH6000W PETROL HEDGE TRIMMER

Item	Parts No.	Description	I/C	Qty	New/Old	Opt. 1	Opt. 2	Note
064-1	266824-6	H.S. BUTTON HEAD BOLT M6X20	O	4				
065	452327-8	BLADE COVER		1	*			
065-1	454278-1	BLADE COVER	<	1				
066	892378-3	EH6000W MODEL NO.LABEL		1	*			
066-1	802W41-8	EH6000W MODEL NO. LABEL	O	1				
067	0150049860	TAPPING SCREW M4X14		4				
068	125753-1	RECOIL STARTER ASSEMBLY		1				
D10		INCL.69-76						
069-1	424319-7	STARTER KNOB		1				
070-1	424359-5	DAMPER		1				
071-1	232258-5	SPIRAL SPRING		1				
072	444028-2	STARTER,ROPE		1				
073	452402-0	REEL		1				
074	233991-2	DAMPER,SPRING		1				
075	452403-8	CAM PLATE		1				
076-1	266585-8	TAPPING SCREW 5X12		1				
077	452948-6	BLOWER HOUSING		1				
078	0119059450	SOCKET HEAD BOLT M5X18		2	*			
078-1	266760-6	H.S.H.BOLT M5X18 WITH WRM	O	2				
079	451911-6	INSULATOR		1				
080	346268-7	INSULATOR GASKET		1				
081-1	266787-6	H.S.H.BOLT M5X18 WITH WR		4				
082	452556-3	SPACER		1				
083-1	168401-9	SPARK PLUG		1				
084-1	324891-8	PLUG CAP SPRING		1				
085	S198113530	RUBBER		1	*			
085-1	424491-5	GROMMET	O	1				
086	0119049970	SOCKET HEAD BOLT M4X20		2	*			
086-1	922138-0	H.S.H.BOLT M4X20 WITH WR	O	2				
087	168684-1	IGNITION COIL		1				
088-1	412102-4	TUBE		1				
089	424302-4	PLUG CAP		1				
090	0119059620	SOCKET HEAD BOLT M5X18		1	*			
090-1	266760-6	H.S.H.BOLT M5X18 WITH WRM	O	1				
091	451860-7	CYLINDER COVER		1				
092	5503503001	SPACER		1				
093-1	264083-6	NUT		1	*			
093-2	264050-1	SQUARE NUT M5-8	O	1				
094	140508-3	CYLINDER COMPLETE		1	*			
094-1	141381-4	CYLINDER COMPLETE	O	1				
095	S115113650	PISTON RING		2	*			
095-1	257334-4	PISTON RING 33	O	2				

Please order the parts with part number.

Print Date 27/3/2020

Model No.EH6000W PETROL HEDGE TRIMMER

Item	Parts No.	Description	I/C	Qty	New/Old	Opt. 1	Opt. 2	Note
096	S115313750	PISTON		1	*			
096-1	318858-6	PISTON	O	1				
097-1	212702-8	NEEDLE CAGE 810		1				
098	S115323130	PIN,PISTON		1	*			
098-1	256543-2	PISTON PIN 8	O	1	*			
098-2	268287-2	PISTON PIN 8	O	1				
099	S198343210	CLIP		2	*			
099-1	234243-4	CLIP	O	2				
100	140429-9	CRANKSHAFT COMPLETE		1				
101	S034309031	WOODRUFF KEY		1	*			
101-1	254041-0	WOODRUFF KEY	O	1				
102	346267-9	CYLINDER GASKET		1				
103-1	266787-6	H.S.H.BOLT M5X18 WITH WR		3				
104	346260-3	MUFFLER GASKET		1				
105	168565-9	MUFFLER		1	*			
105-1	161555-1	MUFFLER	<	1	*			
105-2	162530-0	MUFFLER	<	1				
106	346343-9	MUFFLER COVER		1				
107	0140059962	SCREW M5X5		1				
108-1	266754-1	SOCKET HEAD BOLT		2				
109	451861-5	MUFFLER COVER		1				
110	0119059620	SOCKET HEAD BOLT M5X18		2	*			
110-1	266760-6	H.S.H.BOLT M5X18 WITH WRM	O	2				
111-1	141150-3	CLUTCH COMPLETE		1				
112	5231016000	CRANKCASE ASSEMBLY		1				
D10		INCL.113-117						
113-1	213148-1	OIL SEAL 10		1	*			
113-2	213769-9	OIL SEAL 10	O	1				
114-1	210086-8	BALL BEARING 6000		2	*			
114-2	211064-1	BALL BEARING 6000	O	2				
115	413139-4	CRANKCASE GASKET		1				
116-1	213148-1	OIL SEAL 10		1	*			
116-2	213769-9	OIL SEAL 10	O	1				
117-1	266787-6	H.S.H.BOLT M5X18 WITH WR		3				
118	126046-9	FLYWHEEL ASSEMBLY		1				
119	S020109118	NUT M6		1	*			
119-1	264073-9	CORNED DISC SPRING HEX NUT M6	O	1				
120	125770-1	FUEL TANK CAP ASSEMBLY		1	*			
D10		INCL.121,122			*			
120-1	127110-9	FUEL TANK CAP ASSEMBLY	O	1				
D10		INCL.121,122						
121	125840-6	FUEL TANK CAP ASSEMBLY		1	*			

Please order the parts with part number.

Print Date 27/3/2020

Model No.EH6000W PETROL HEDGE TRIMMER

Item	Parts No.	Description	I/C	Qty	New/Old	Opt. 1	Opt. 2	Note
122	140624-1	STRAP COMPLETE		1	*			
123	424080-6	BUFFER RUBBER		2				
124	451867-3	FUEL TANK		1	*			
124-1	458743-2	FUEL TANK	S	1				
125	168568-3	FUEL TUBE ASSEMBLY		1				
126-1	345920-4	HOSE CLAMP		1				
127-1	163518-3	GASOLINE FILTER		1				
128	0119059350	SOCKET HEAD BOLT M5X20		1	*			
128-1	251583-5	H.SOCKET HEAD SHOULDER BOLT M5	S	1				
129	452197-5	SPACER		1	*			
129-1	458095-1	SPACER	S	2				
130	265791-2	THUMB SCREW M4		1				
131	819818-6	CHOKE INDICATION LABEL		1				
132	451859-2	AIR CLEANER COVER		1				
133	443157-8	AIR FILTER		1				
134	443158-6	AIR FILTER		1				
135	0119059710	SOCKET HEAD BOLT M5X60		2	*			
135-1	266618-9	H.S.BUTTON HEAD BOLT M5X60	O	2				
136-1	345919-9	PLATE		1	*			
136-2	346647-9	PLATE	<	1				
137	126029-9	AIR CLEANER PLATE ASSY		1				
138	412097-1	TUBE		1				
139-1	168398-2	PRIMER PUMP		1				
140	5253503900	GASKET,CARBURETOR		2	*			
140-1	413158-0	CARBURETOR GASKET	O	2				
141	346334-0	CABLE BRACKET		1				
142	168569-1	CARBURETOR		1				
D10		INCL.143-155						
143-1	266770-3	SCREW		4	*			
143-2	WJ00096325	SCREW	O	4				
144-1	346608-9	METER DIAPHRAGM COVER		1	*			
144-2	WJ00021158	METERING DIAPHRAGM COVER	O	1				
145-1	168620-7	METERING DIAPHRAGM		1				
146-1	442183-4	METERING DIAPHRAGM GASKET		1				
147	140661-5	BODY ASSEMBLY-PUMP		1				
D10		INCL.148						
148-1	352010-6	INLET SCREEN		1	*			
148-2	WJ00014070	INLET SCREEN	O	1				
149-1	168575-6	PUMP DIAPHRAGM		1	*			
149-2	WJ00009599	PUMP DIAPHRAGM	O	1				



Model No.EH6000W PETROL HEDGE TRIMMER

Item	Parts No.	Description	I/C	Qty	New/Old	Opt. 1	Opt. 2	Note
150-1	442155-9	PUMP GASKET		1				
151	326005-5	JET		1				
152-1	213538-8	O RING 2		1				
153-1	266581-6	PAN HEAD SCREW M3X8 WITH W		2	*			
153-2	WJ00096364	SCREW M3X8 WITH WASHER	O	2				
154-1	325922-6	SWIVEL		1				
155-1	257964-1	STOP RING E-3		1				
156	413147-5	CARBURETOR GASKET		1				
157	286284-6	CAP		1				
158-1	286284-6	CAP		1	*			
159	801D19-4	SERIAL NO. LABEL		1				
A01	195259-3	TOOL SET		1	*			
A01-1	782233-6	BOX DRIVER 10-16	S	1				
A02	196969-5	END COVER SET		1				
A05	783223-2	HEX. WRENCH 4		1				

Please order the parts with part number.

Print Date 27/3/2020