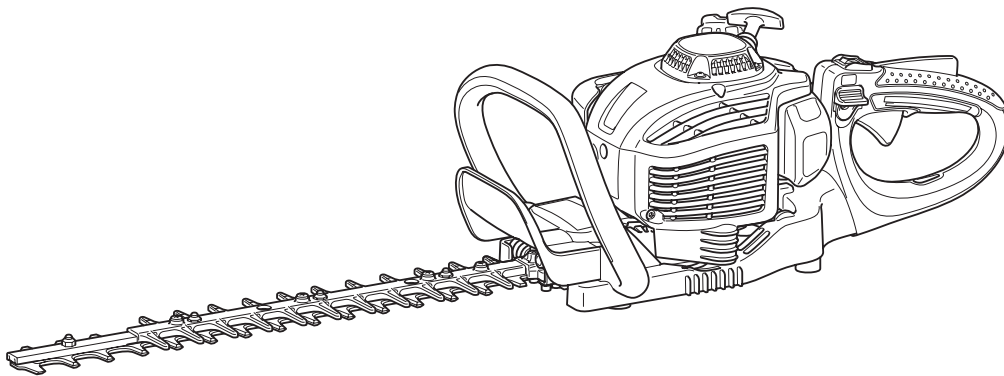




EH5000W/EH6000W/EH7500W

GB	PETROL HEDGE TRIMMER
S	BENSINDRIVEN HÄCKTRIMMER
N	BENSINDRETVET HEKKTRIMMER
FIN	POLTTOMOOTTORIKÄYTTÖINEN PENSASLEIKKURI
LV	BENZĪNA DZĪVŽOGA GRIEZĒJS
LT	BENZININĖ KRŪMAPJOVĖ
EE	BENSIINIMOOTORIGA HEKITRIMMER
RUS	БЕНЗИНОВЫЙ КУСТОРЕЗ

INSTRUCTION MANUAL
BRUKSANVISNING
BRUKSANVISNING
KÄYTTÖOHJE
INSTRUKCIJU ROKASGRĀMATA
NAUDOJIMO INSTRUKCIJA
KASUTUSJUHEND
ИНСТРУКЦИЯ ПО ЭКСПЛУАТАЦИИ



WARNING:

To reduce the RISK of injury, user must read and understand the instruction manual before using the hedge trimmer. Manufacturer reserves the right to change specifications without notice. Specifications may differ from country to country. Do only hand over the hedge trimmer together with this manual.

VARNING:

För att minska RISKEN för skador måste användaren läsa och förstå bruksanvisningen innan häcktrimmern används. Tillverkaren förbehåller sig rätten att ändra specifikationerna utan föregående meddelande. Specifikationerna varierar mellan olika länder. Lämna endast över häcktrimmern tillsammans med denna bruksanvisning.

ADVARSEL:

For å redusere RISIKOEN for skader, er det viktig at brukeren setter seg inn i bruksanvisningen før hekktrimmeren tas i bruk. Produsenten forbeholder seg retten til å endre spesifikasjonene uten forutgående varsel. Spesifikasjonene kan variere fra land til land. Bruksanvisningen skal alltid leveres sammen med hekktrimmeren.

VAROITUS:

Loukkaantumisvaaran vähentämiseksi käyttäjän tulee lukea huolellisesti tämä käyttöohje ennen pensasleikkurin käyttämistä. Valmistaja varaa oikeuden muuttaa teknisiä tietoja ilman eri ilmoitusta. Tekniset tiedot voivat vaihdella maittain. Luovuta tämä käyttöohje pensasleikkurin mukana.

BRĪDINĀJUMS:

Lai ievainojuma RISKS būtu mazāks, lietotājam pirms dzīvzoga griezēja ekspluatācijas uzsākšanas jāizlasa un jāizprot lietošanas instrukcija. Ražotājs patur tiesības mainīt tehniskos datus bez iepriekšēja brīdinājuma. Tehniskie dati dažādās valstīs var būt atšķirīgi. Lietojiet dzīvzoga griezēju, tikai ievērojot šo lietošanas instrukciju.

ĮSPĖJIMAS:

Norėdami sumažinti PAVOJŲ susižeisti, prieš pradėdami naudoti šią krūmapjovę, perskaitykite ir suvokite šią naudojimo instrukciją. Gamintojas pasilieka teisę keisti specifikacijas be įspėjimo. Specifikacijos įvairiose šalyse gali skirtis. Jeigu kam nors atiduodami šią krūmapjovę, būtinai atiduokite ir šį vadovą.

HOIATUS:

VigastusteOHU vältimiseks peab kasutaja enne hekitrimmeri kasutamist kasutusjuhendi läbi lugema ja sellest aru saama. Tootja jätab endale õiguse muuta tehnilisi näitajaid ilma etteteatamiseta. Tehnilised näitajad võivad erinevates riikides erineda. Hekitrimmeri üleandmisel andke kindlasti kaasa ka käesolev kasutusjuhend.

ПРЕДОСТЕРЕЖЕНИЕ:

Для снижения РИСКА получения травмы перед началом эксплуатации кустореза необходимо прочитать и уяснить содержание этого руководства. Производитель сохраняет за собой право изменения спецификаций без предварительного уведомления. Спецификации могут отличаться в зависимости от страны. Обязательно передавайте вместе с кусторезом и руководство по эксплуатации.

Thank you very much for selecting the MAKITA hedge trimmer. We are pleased to be able to offer you the MAKITA hedge trimmer which is the result of a long development program and many years of knowledge and experience.

The hedge trimmer models EH5000W, EH6000W and EH7500W combine the advantages of state-of-the-art technology with ergonomic design, light weight, handy, compact and represent professional equipment for a great variety of applications.

Please read, understand and follow this booklet which refers in detail to the various points that will demonstrate its outstanding performance. This will assist you to safely obtain the best possible results from your MAKITA hedge trimmer.



Table of Contents	Page
Symbols.....	3
Safety instructions.....	4
Technical data.....	7
Designation of parts.....	8
Fuels/refueling.....	9
Precautions before starting.....	10
Starting the machine.....	11
Stopping the machine.....	11
Operation of the machine.....	12
Adjusting rear handle angle.....	12
Maintenance instructions.....	13
Storage.....	16
Maintenance schedule.....	16
Fault location.....	16

SYMBOLS

It is very important to understand the following symbols when reading this instructions manual.

	WARNING/DANGER		Fuel and oil mixture
	Read, Understand and Follow Instruction Manual		Engine-Manual start
	Forbidden		Emergency stop
	No smoking		First Aid
	No open flame		Recycling
	Protective gloves must be worn		ON/START
	Keep the area of operation clear of all persons and pets		OFF/STOP
	Wear eye and ear protection		CE - mark

SAFETY INSTRUCTIONS

General Instructions

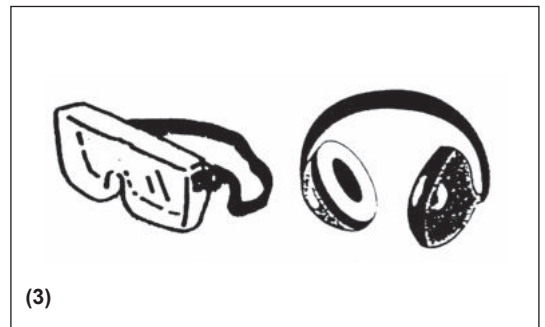
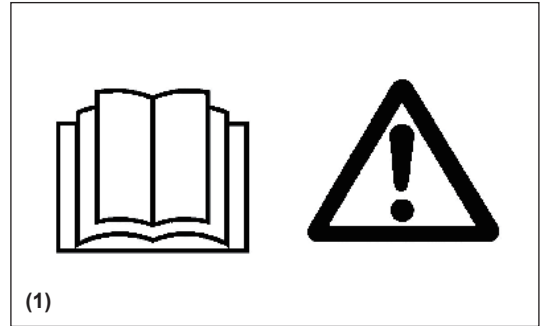
- THIS MACHINE CAN CAUSE SERIOUS INJURIES. Read the Instructions carefully for correct handling, preparation, maintenance, starting and stopping of the machine. Be familiar with all controls and the proper use of the machine. (1)
- It is recommended only to loan the hedge trimmer to people who have proven to be experienced with hedge trimmers. Always hand over the instruction manual.
- First-time users should ask the dealer for basic instructions to familiarize themselves with handling of an engine powered hedge trimmer.
- Children and young persons aged under 18 years must not be allowed to operate the hedge trimmer. Persons over the age of 16 years may however use the device for the purpose of being trained only while under the supervision of a qualified trainer.
- Use the hedge trimmer with the utmost care and attention.
- Operate the hedge trimmer only if you are in a good physical condition. Perform all work calmly and carefully. The user has to accept liability for others.
- Never use the hedge trimmer after consuming alcohol or drugs, or if feeling tired or ill. (2)

Intended use of the machine

- The hedge trimmer is designed for only the purpose of trimming bushes and hedges, and must not be used for any other purpose. Do not abuse the Trimmer.

Personal protective equipment

- The clothing worn should be functional and appropriate, i.e. it should be tight-fitting but not cause hindrance. Do not wear jewelry or loose clothing which could become entangled with bushes or shrubs, or the machine.
- In order to avoid eye, hand or foot injuries as well as to protect your hearing, the following protective equipment and protective clothing must be used during operation of the hedge trimmer.
- During operation of the hedge trimmer always wear goggles or a visor to prevent eye injuries. (3)
- Wear adequate noise protection equipment to avoid hearing impairment, ear muffs, ear plugs, etc. (3)
- We strongly recommend that the user wears work overalls. (4)
- Special gloves made of thick leather are part of the prescribed equipment and must always be worn during operation of the hedge trimmer. (4)
- When using the hedge trimmer, always wear sturdy shoes with a non-slip sole. This protects against injuries and ensures a good footing. (4)



Starting up the hedge trimmer

- Please make sure that there are no children or other people within a working range of 15 meters (5), also pay attention to any animal in the working vicinity.
- Before operating, always check the hedge trimmer is safe for operation.
- Check the security of the throttle lever. The throttle lever should be checked for the smooth and easy actions. Check for proper functioning of the throttle lever lock. Check for clean and dry handles and test the function of the I-O switch. Keep handles free of oil and fuel.

Start the hedge trimmer only in accordance with the instructions.

Do not use any other methods for starting the engine (6)!

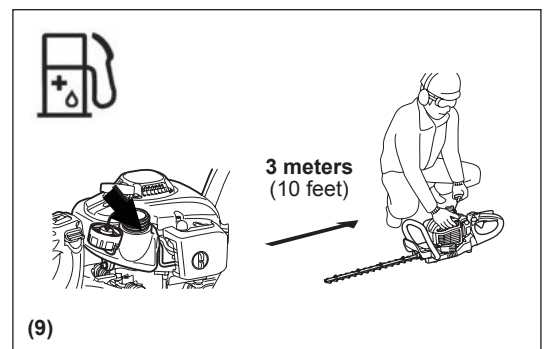
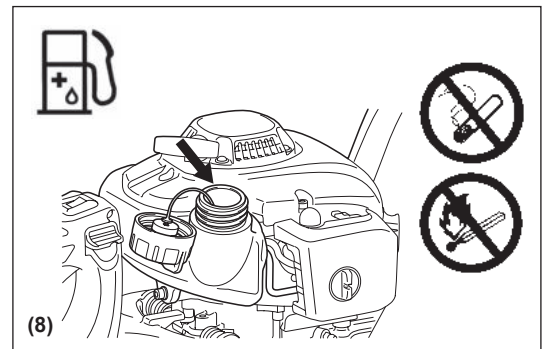
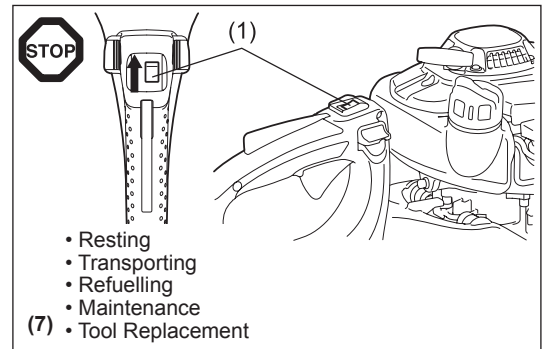
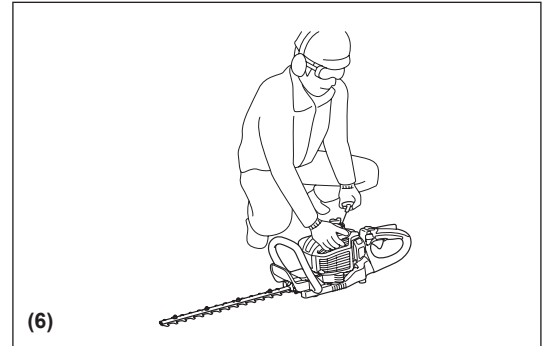
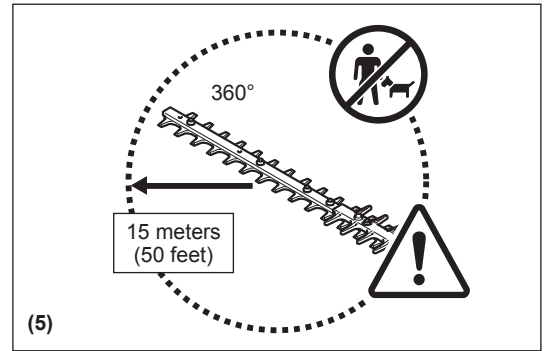
- Use the hedge trimmer only for applications specified.
- Start the hedge trimmer engine only after the entire assembly is done. Operation of the hedge trimmer is permitted only after all the appropriate accessories are attached!
- Before starting, make sure that the cutter blade will not contact any objects such as branches, stones, etc.
- Stop the engine immediately if there are any engine problems.
- During operation, hold both the front and rear handle firmly by wrapping your fingers around the handles. Keep handles clean and free of moisture, resin, oil or grease.

Always ensure a safe, well-balanced footing.

- Only use outdoors.
- Always be aware of your surroundings and stay alert for possible hazards that you may not hear due to the noise of the machine.
- Operate the hedge trimmer in such a manner as to avoid inhalation of the exhaust gases. Never run the engine in enclosed rooms (risk of suffocation and gas poisoning). Carbon monoxide is an odorless gas. Always ensure there is an adequate ventilation.
- Stop the engine when resting and when leaving the hedge trimmer unattended. Place it in a safe location to prevent danger to others or, setting fire to combustible materials or damage to the machine.
- Never put the hot hedge trimmer onto dry grass or onto any combustible materials.
- To reduce fire hazard, keep the engine and silencer free of debris, leaves, or excessive lubricant.
- Never operate the engine with a faulty exhaust muffler.
- Stop the engine during transport (7).
- Stop the engine before:
 - Cleaning a blockage;
 - Checking, maintenance or working on the machine.
- Position the hedge trimmer safely during car or truck transportation to avoid a fuel leakage.
- When transporting the hedge trimmer ensure that the fuel tank is completely empty to avoid fuel leakage.
- When transporting or storing the machine always fit the cutting device guard.

Refuelling

- Stop the engine before refuelling (7), keep well away from open flame (8) and do not smoke.
- Do not attempt to refuel a hot or a running engine.
- Avoid skin contact with petroleum products. Do not inhale fuel vapors. Always wear protective gloves during refuelling. Change and clean protective clothing at regular intervals.
- Take care not to spill either fuel or oil in order to prevent soil contamination (environmental protection). Wipe down the hedge trimmer immediately after fuel has been spilled. Dry the cloths used for wiping the fuel at a well ventilated area before disposing them. Failure to do so may cause spontaneous combustion.
- Avoid any fuel contact with your clothes. Change your clothes immediately if fuel has been spilled on it (dangerous hazard).
- Inspect the fuel cap at regular intervals making sure that it stays securely fastened.
- Carefully tighten the fuel tank cap. Change locations to start the engine (at least 3 meters away from the place of refuelling) (9).
- Never refuel in closed rooms. Fuel vapors accumulate at ground level (risk of explosions).
- Only transport and store fuels in approved containers. Make sure stored fuel is not accessible to children.
- When mixing gasoline with two-stroke engine oil, use only gasoline which contains no ethanol or methanol (types of alcohol). This will help to prevent damage to fuel lines and other engine parts.



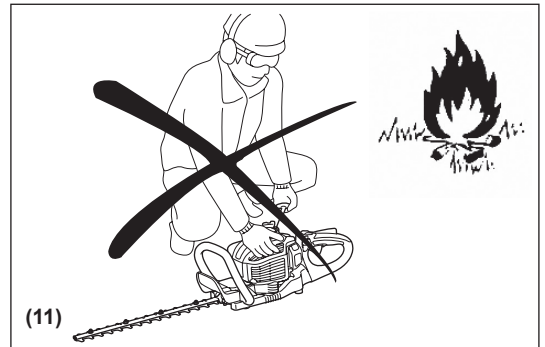
Method of operation

- Always use two hands to grip each handle during operation.
- Use the hedge trimmer only in a good light and visibility. During cold seasons beware of slippery or wet areas, ice and snow (risk of slipping). Always ensure a safe footing.
- Never work on unstable surfaces or steep terrain.
- Never stand on a ladder and run the hedge trimmer.
- Never climb up onto trees to perform cutting operation with the hedge trimmer.
- To reduce the risk of stumbling and loss of control, do not walk backward while operating the machine.
- Always stop the engine before cleaning or servicing the unit or replacing parts.
- Do not operate the machine with a damaged or excessively worn cutting device.



Maintenance instructions

- Be kind to the environment. Operate the hedge trimmer with as little noise and pollution as possible. In particular check the correct adjustment of the carburetor.
- Clean the hedge trimmer at regular intervals and check that all screws and nuts are securely tightened.
- Never service or store the hedge trimmer in the vicinity of open flames, sparks, etc. (11).
- Empty the fuel tank before storing the hedge trimmer.
- Never store the hedge trimmer in the vicinity of naked flames to avoid fires.
- Store the hedge trimmer in well ventilated and high or locked location out of reach of children.
- Do not attempt to repair the machine unless you are qualified to do so.



Observe and follow all relevant accident prevention instructions issued by the trade associations safety board and by insurance companies.

Do not perform any modifications to the hedge trimmer as this will risk your safety.

The performance of maintenance or repair work by the user is limited to those activities as described in this instruction manual. All other works are to be done by Authorized Service Agents.

Use only genuine spare parts and accessories supplied by MAKITA authorized or factory service centers.

Use of non-approved accessories and tools means increased risk of accidents and injuries. MAKITA will not accept any liability for accidents or damage caused by the use of any non-approved accessories.

First aid

In case of an accident make sure that a well-stocked first-aid kit according to DIN 13164, is available in the vicinity of the cutting operations. Immediately replace any item taken from the first aid kit.

When asking for help, please give the following information:

- Place of accident
- What happened
- Number of injured persons
- Extend of injuries
- Your name



Packaging

The MAKITA hedge trimmer is delivered in a protective cardboard box to prevent shipping damage. Cardboard is a basic raw material and is therefore consequently reusable or suitable for recycling (waste paper recycling).



EC-DECLARATION OF CONFORMITY

We Makita Corporation as the responsible manufacturer declare that the following Makita machine(s):

Designation of Machine: Petrol Hedge Trimmer
 Model No./ Type: EH5000W, EH6000W, EH7500W
 Specifications: see "TECHNICAL DATA"

are of series production and

Conforms to the following European Directive(s):

2000/14/EC, 2006/42/EC

And are manufactured in accordance with the following standard(s) or standardised document(s):

EN ISO 10517

The technical documentation is kept by our authorised representative in Europe who is:

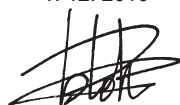
Makita International Europe Ltd.
 Michigan Drive, Tongwell, Milton Keynes, Bucks MK15 8JD, England

The conformity assessment procedure required by Directive 2000/14/EC was in Accordance with annex V.

Measured sound power level: EH5000W 104.0 dB (A), EH6000W 104.2 dB (A), EH7500W 104.8 dB (A)

Guaranteed sound power level: All models 106 dB (A)

1. 12. 2010

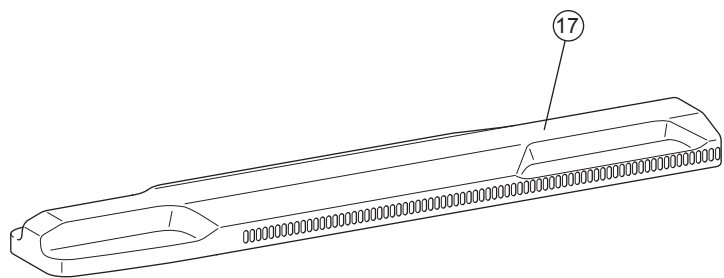
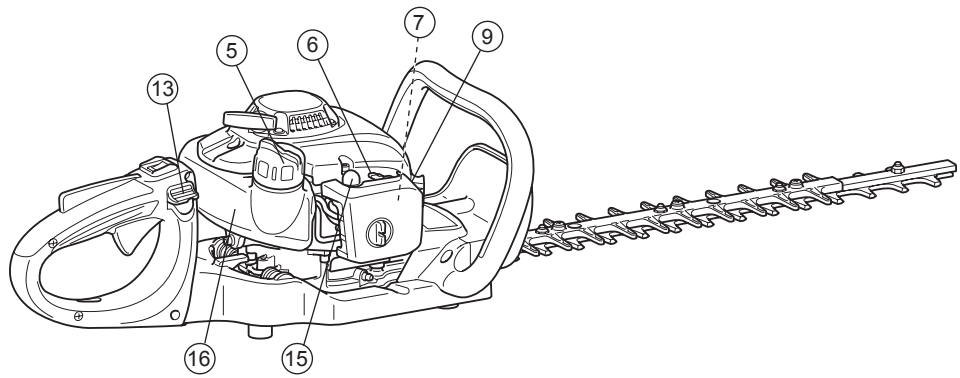
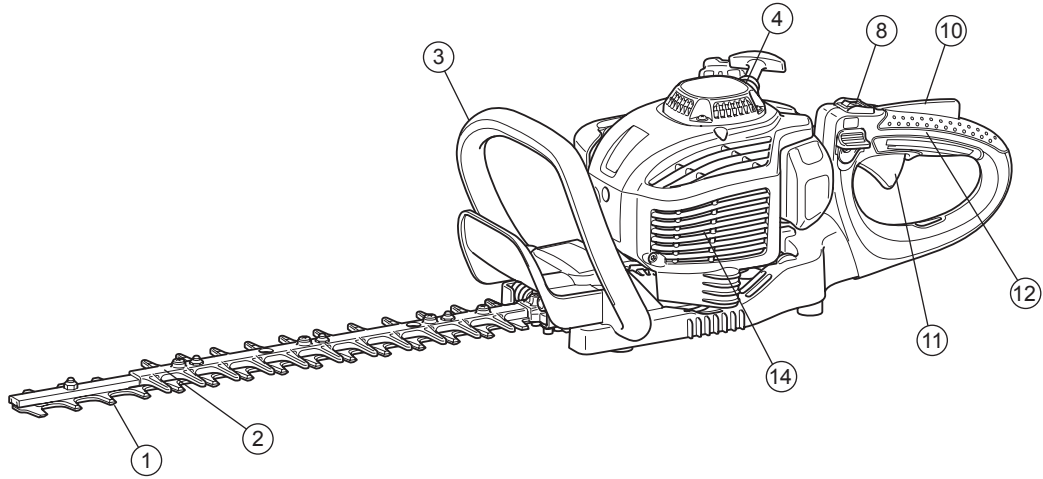


Tomoyasu Kato
 Director
 Makita Corporation
 3-11-8, Sumiyoshi-cho,
 Anjo, Aichi, 446-8502, JAPAN

TECHNICAL DATA

Model		EH5000W	EH6000W	EH7500W			
Dimension (L x W x H)		mm	1,014 x 262 x 216	1,119 x 262 x 216			
Mass (without blade cover)		kg	4.8	5.0			
Volume (fuel tank)		L	0.4				
Engine displacement		cm ³	22.2				
Cutting length		mm	483	588			
Maximum engine performance		kW	0.68				
Stroke per minute		min ⁻¹	4,270				
Idling speed		min ⁻¹	3,000				
Clutch engagement speed		min ⁻¹	4,000				
Carburetor type		type	WALBRO WYL				
Ignition system		type	Solid state ignition				
Spark plug		type	NGK CMR6A				
Electrode gap		mm	0.7 - 0.8				
Vibration per EN ISO 10517	Right handle	$a_{hv\ eq}$	m/s ²	2.5	2.7	2.3	
		Uncertainty K	m/s ²	1.3	1.1	1.6	
	Left handle	$a_{hv\ eq}$	m/s ²	2.5	2.8	2.3	
		Uncertainty K	m/s ²	1.3	1.1	1.2	
Noise per EN ISO 10517	Sound pressure level		dB (A)	93.0	92.8	93.9	
			Uncertainty K	dB (A)	1.4	2.2	1.2
	Sound power level		dB (A)	103.0	103.2	103.8	
			Uncertainty K	dB (A)	2.1	1.5	1.3
Mixture ratio (fuel: engine oil)		MAKITA genuine two-stroke engine oil		50 : 1			
		Other manufacturer's two-stroke engine oil		25 : 1			
Gear ratio		9 : 43					

DESIGNATION OF PARTS



	DESIGNATION OF PARTS		DESIGNATION OF PARTS		DESIGNATION OF PARTS
1	Blade	7	Carburetor (not shown)	13	Release lever
2	Blunt extension	8	I-O switch (ON-OFF)	14	Muffler
3	Front handle	9	Spark plug	15	Primer pump
4	Recoil starter	10	Lock-off lever	16	Fuel tank
5	Fuel tank cap	11	Throttle lever	17	Blade cover
6	Choke lever	12	Rear handle		

FUELS/REFUELING

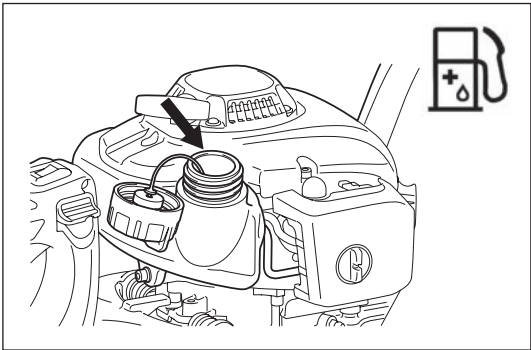
Fuel and oil mixture

- The engine of the hedge trimmer is a high-efficiency two-stroke engine. It is run with a mixture of fuel and two-stroke engine oil. The engine is designed for unleaded regular fuel with a min. octane value of 91 ROZ. In case no such fuel is available, you can use fuel with a higher octane value. This will not damage the engine, but may cause poor operating behaviour. A similar situation will arise from the use of leaded fuel. To obtain optimum engine operation and to protect your health and the environment, only unleaded fuel should be used!
- For lubricating the engine use a two-stroke engine oil (quality grade: TSC-3), which is added to the fuel. The engine has been designed for use with MAKITA two-stroke engine oil and a mixture ratio of 50:1 only to protect the environment. In addition, a long service life and a reliable operation with a minimum emission of exhaust gases is guaranteed. It is absolutely essential to observe a mixture ratio of 50:1 (MAKITA 2-stroke engine oil), otherwise the reliable function of the hedge trimmer cannot be guaranteed.
- The correct mixture ratio:
Gasoline: Specified two-stroke engine oil = 50 : 1 or
Gasoline: Other manufacturer's two-stroke engine oil = 25 : 1 recommended

NOTE: For preparing the fuel-oil mixture, first mix the entire oil quantity with half of the fuel required in an approved canister which meets or exceeds all local code standards. Then add the remaining fuel. Thoroughly shake the mixture before filling it into the hedge trimmer's tank. Do not add more engine oil than specified to ensure safe operation. It will only result in a higher production of combustion residues which will pollute the environment and clog the exhaust channel in the cylinder as well as the muffler. In addition, the fuel consumption will rise and the performance will decrease.

Handling petroleum products

Utmost care is required when handling fuels. Fuels may contain substances similar to solvents. Refuel either in a well ventilated area or outdoors. Do not inhale fuel vapors, avoid any contact of fuel or oil with your skin. If your skin comes in contact with these substances repeatedly and for an extended period of time, it will desiccate. Various skin diseases may result. In addition, allergic reactions are known to occur. Eyes can be irritated by contact with oil, fuel etc. If oil, fuel, etc., comes into your eyes, immediately wash them with clear water. If your eyes are still irritated, see a doctor immediately!



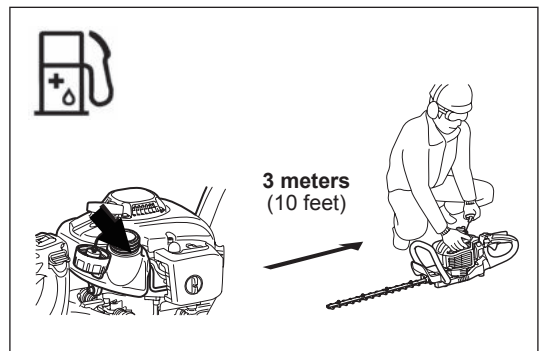
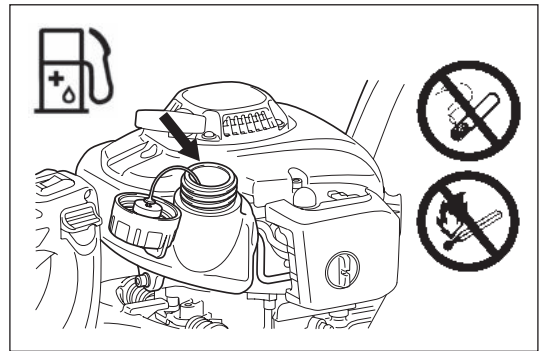
Gasoline	+	Oil
	50:1	
	50:1	
1,000 cm ³ (1 liter)		20 cm ³ 40 cm ³
5,000 cm ³ (5 liter)		100 cm ³ 200 cm ³
10,000 cm ³ (10 liter)		200 cm ³ 400 cm ³

Refuelling

- The engine must be switched off.
- Stop the engine during refuelling, keep away from flames and do not smoke.
- Take care not to spill either fuel or oil in order to prevent soil contamination. Clean the hedge trimmer immediately after fuel has been spilled.
- Do not spill fuel onto the engine. Wipe down if the fuel is spilled.
- Avoid any fuel contact with your clothes. Change your clothes instantly if fuel has been spilled on it (to prevent clothes catching fire).
- Inspect the fuel cap regularly making sure that it can be securely fastened and does not leak the fuel.
- Carefully tighten the fuel tank cap. Change location to start the engine (at least 3 meters away from the place of refuelling.)
- Never refuel in closed rooms. Fuel vapors accumulate at ground level. (Risk of explosions.)
- Transport and store fuel only in approved containers. Make sure the fuel stored is not accessible to children.
- Thoroughly clean the area around the tank cap to prevent dirt from getting into the fuel tank.
- Unscrew the plug and fill the tank with fuel. Use a gauze funnel to filter the fuel.
- Tightly screw on the plug by hand only.
- Clean around the screw plug and the tank after refuelling.
- Always wipe up any spilled fuel to prevent a fire.

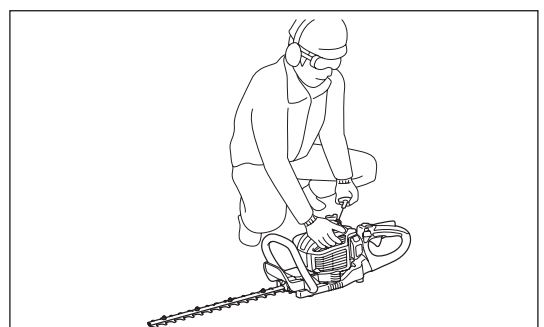
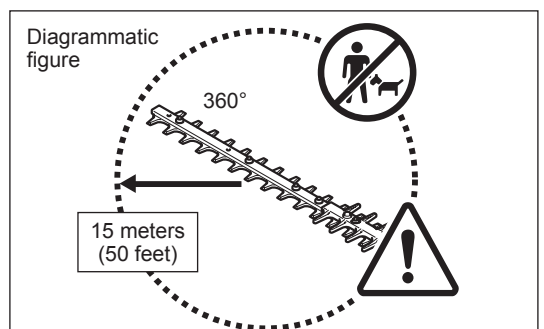
Storage of fuel

- Fuel cannot be stored for an unlimited period of time.
- Purchase only the quantity required for a 4 week operation period.
- Use approved fuel storage containers only.



PRECAUTIONS BEFORE STARTING

- Make sure that there are no children or other people within a working range of 15 meters. Also pay attention to any animal in the working vicinity.
- Before use always check that the hedge trimmer is safe for operation. Check the cutting device is not damaged, the control lever for easy action and check for the proper function of the I-O switch. Make sure that the cutting blades do not run when the engine is idling. Check with your dealer for adjustment if in doubt. Check for clean and dry handles and test function of the I-O switch.
- Start the hedge trimmer only in accordance with the instructions. Do not use any other methods for starting the engine. (See Starting)
- Start the engine only after the entire assembly is done. Operation of the engine is only permitted after all the appropriate accessories are attached. Otherwise there is a risk of injury.
- Before starting, make sure that the cutting blades have no contact with objects such as branches, stones, etc.
- Before trimming, inspect the area for wires, cords, glass, or other foreign objects which could come in contact with the blade.
- Electrical shock. Be aware of any and all electric lines and electric fences. Check all areas for electrical lines before cutting.



STARTING THE MACHINE

Move at least 3 meters away from the place of refuelling. Place the hedge trimmer on a clean area of ground. Make sure that the cutting blades do not come into contact with the ground or any other objects.

Cold starting: (When the engine is cold or it has been stopped for more than 5 minutes or when fuel is added to the engine.)

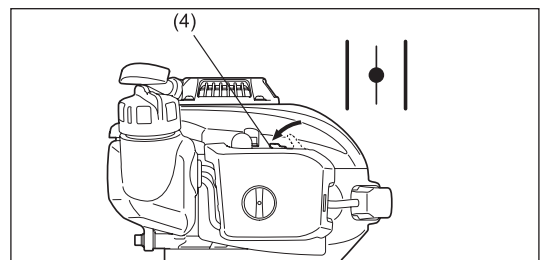
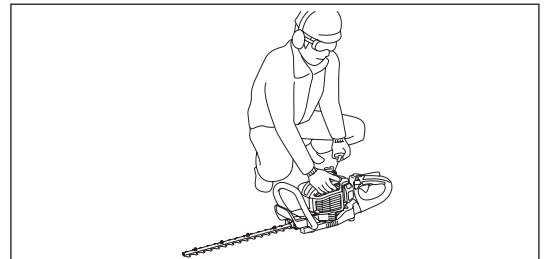
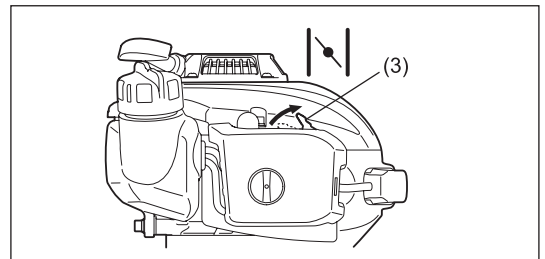
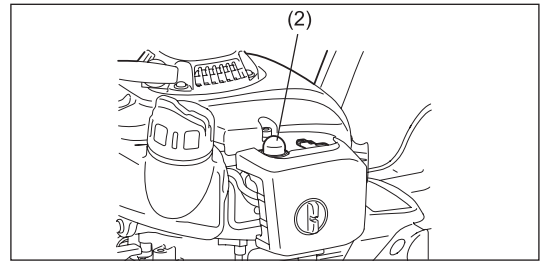
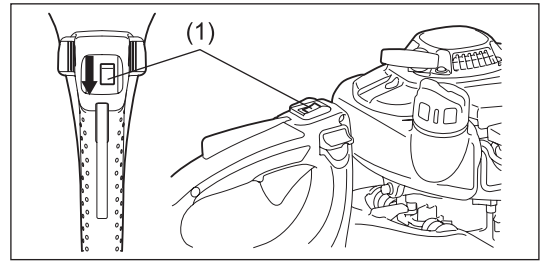
1. Push the I-O switch (1) to "I" position.
2. Repeat pushing the primer pump (2) gently (7 to 10 times) until the fuel comes into the primer pump.
3. Move the choke lever (3) to position "I".
4. Hold the hedge trimmer down firmly to avoid loss of control while cranking the engine. Failure to do so may cause serious injury and/or property damage due to falling or contact with the cutting blade.
5. Pull the starter handle slowly for 10 to 15 cm until you feel the resistance.
6. Pull the starter handle strongly with feeling the resistance and start the engine.
7. When the engine starts or pop-up and stop, return the choke lever (4) to "O".
8. Run the engine for approximately one minute at a moderate speed before accelerating to full throttle.

Note:

- If the starter handle is pulled repeatedly when the choke lever remains at "I" position, the engine will not start easily due to excessive fuel intake.
- In case of excessive fuel intake, remove the spark plug and pull the starter handle slowly to remove excess fuel. Also, dry the electrode section of the spark plug.

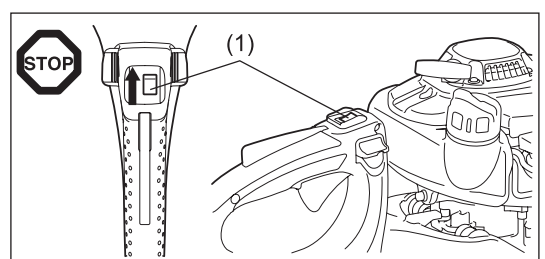
Hot starting: (Restarting immediately after the engine has stopped.) When restarting a hot engine, first try the above procedure: 1, 2, 4, 5, 6 with the choke lever (4) to "O". If the engine does not start, repeat above steps 1-8.

Note: Do not pull the starter rope to its full extension. Do not allow the starter grip to be retracted without control. Ensure that it is retracted slowly.



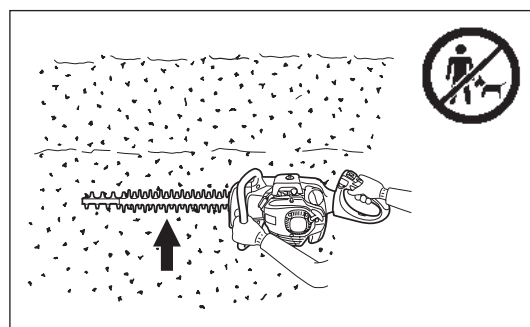
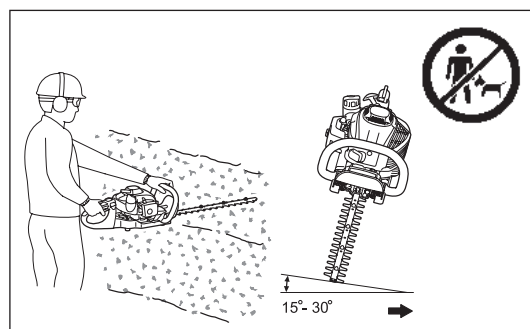
STOPPING THE MACHINE

1. Release the throttle lever completely.
2. Push the I-O switch (1) to "O" position. The engine will slow down and stop.



OPERATION OF THE MACHINE

- Never operate the hedge trimmer with a loose grip.
- Never touch the cutting blades when starting the engine and during operation.
- Operate the hedge trimmer in such a manner as to avoid inhalation of the exhaust gases. Never run the engine in enclosed rooms (Risk of gas poisoning). Carbon monoxide is an odorless gas.
- All protective equipment such as a guard supplied with the machine must be used during operation.
- Never operate the engine if the muffler is faulty or missing.
- Use the hedge trimmer only in good light and visibility.
- During the winter season beware of slippery or wet areas, ice and snow. (Risk of slipping.) Always ensure a safe footing.
- Never stand on a ladder and run the hedge trimmer. Keep both feet on the ground.
- Never climb up the trees with the hedge trimmer to perform cutting operation.
- Never work on unstable surfaces.
- Remove sand, stone, nails, wire, etc. found within the working area. Foreign objects may damage the cutting blades.
- Prior to the cutting operation, cut away 8 mm or thicker branches with pruning shears.
- Before commencing cutting, the cutting blades must have reached full working speed.
- Always hold the hedge trimmer firmly with both hands on the handles.
- Use a firm grip with thumbs and fingers encircling the handles.
- When you release the throttle, it takes a few moments before the cutting blades stop.
- Do not operate the hedge trimmer with high idle speed. You cannot adjust the cutting speed with the throttle control if the idle speed is too high.
- During the cutting operation, hold the hedge trimmer so that the blades form a 15-30° angle with the cutting line.
- Pay special attention when cutting hedges close to or against wire fences.
- Do not touch hard objects such as wire fence, stone or ground with the cutter blades. It may cause blades to crack, chip or break.
- Should the cutting blades hit stones or other hard objects, immediately switch off the engine and inspect the cutting blades for damage. Replace damaged blades before re-commencing work.
- Take a rest periodically. Makita recommends to take a 10- to 20-minute rest every 50 minutes of use.
- Switch off the engine immediately in case of any engine problems.
- Operate the hedge trimmer with as little noise and contamination as possible. In particular check the correct setting of the carburetor and the fuel/oil ratio.
- Never attempt to remove jammed cut material when blades are running. Put unit down, turn it off, and remove necessary cuttings.



ADJUSTING REAR HANDLE ANGLE

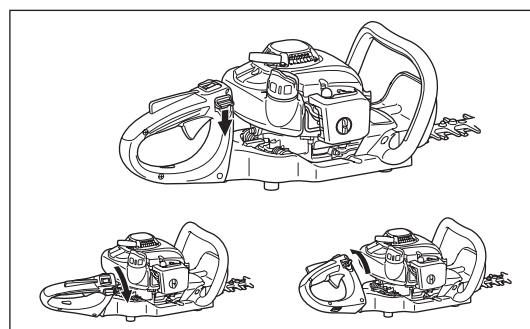
The rear handle can be turned down to 90° to the left or right side and set at every 45°.

To change the angle:

1. Press the release lever to release the lock.
2. Turn the handle to an angle of 0°, 45° or 90°.
3. Make sure that the release lever returns to the original position to engage the lock.

Do not pull the throttle lever while the lock is released.

Do not release the lock during operation.



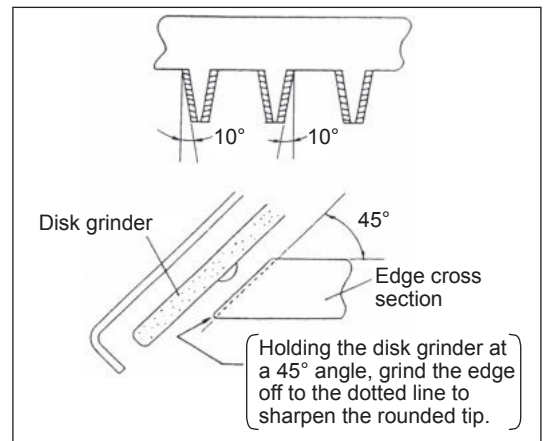
MAINTENANCE INSTRUCTIONS

- Turn off the engine and remove the spark plug connector when cleaning/replacing/sharpening the cutting blades or carrying out any maintenance.
- Never straighten or weld a damaged cutting blade.
- Frequently inspect the cutting blades for damage with the engine switched off.
- Keep the cutting blades sharp.
- Clean the hedge trimmer and check that all screws and nuts are well tightened regularly.
- Never service the hedge trimmer in the vicinity of naked flames to avoid fires.
- Always wear leather gloves when handling or sharpening the blades, as they are sharp.

Sharpening blade

If the edges are rounded and do not cut well any more, grind off only the shaded portions in the figure. Do not grind the contact surfaces (sliding surfaces) of the top and bottom edges.

- Before grinding, be sure to secure the blade firmly and switch off the engine and remove the spark plug cap.
- Wear gloves, protective glasses, etc.
- Do not remove too much material. It loses the hardened layer and causes the blades to get dull very quickly in use.

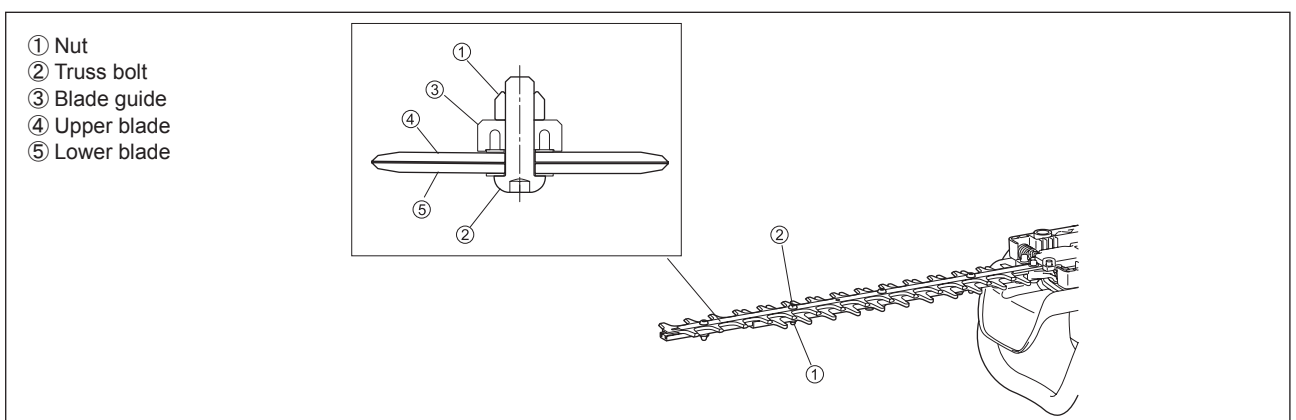


Adjusting blade clearance

The upper/lower blades wear. If you cannot get a clean cut though the blades are sharp enough, adjust the clearance as follows.

1. Remove the blunt extension by loosen the screws.
2. Loosen the nut (1) with a box or open-ended wrench.
3. Tighten the truss bolt (2) with a hex wrench lightly till it stops and screw it back a quarter turn.
4. Tighten the nut (1), holding the truss bolt (2).
5. Apply light oil on the friction surface of the blades.
6. Start the engine, operate the throttle on and off for a minute.
7. Measure the time necessary for the blades to stop after releasing the throttle. If it is two seconds or longer, stop the engine and repeat the step 2 to 7.
8. Stop the engine and touch the blade surface. If they are not too hot to touch, you have made a proper adjustment. If they are too hot to touch, turn the truss bolt (2) back a little and repeat the step 6 to 8.
9. Attach the blunt extension by tightening the screws.

NOTE: Before making the adjustment, stop the engine and wait for the blades to stop.
The blades have a slot around screw (2). In case you find dust in the end of any of the slots, clean it.



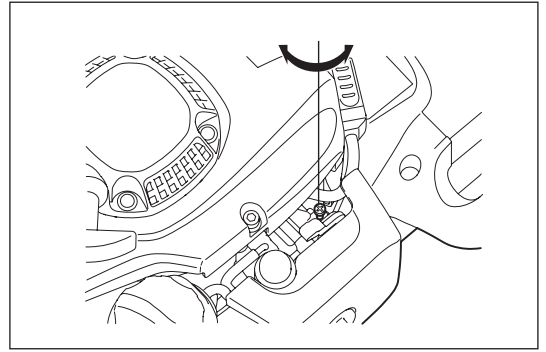
Checking and adjusting the idling speed

The cutting blades should not run when the engine is at idle.

- Idle speed should be set to 3,000 min⁻¹ (rpm).
- If necessary, adjust the idle screw (the cutting blades must not run when the engine is on idle).
 - The cutting blades run while idling - turn the idle screw counterclockwise to decrease the idle speed.
 - The engine stops while idling - turn the idle screw clockwise to increase the idle speed.

If the cutting blades still continue to run at idle after the adjustment, consult your nearest authorized service agent.

- The clutch should engage at 3,750 min⁻¹ (rpm) or higher revolution.
- Check the functioning of the I-O switch, the lock-off lever and the throttle lever.



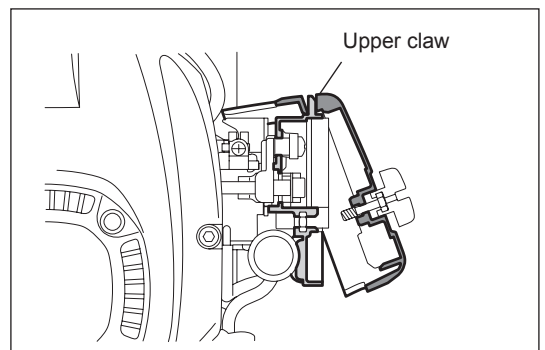
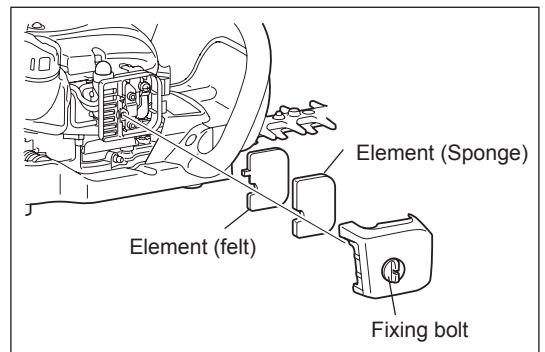
Cleaning the air cleaner



DANGER: Inflammables strictly prohibited

Check and clean the air cleaner daily or every 10 operating hours.

- Turn the choke lever to the close side fully, and keep the carburetor free from dust or dirt.
- Loosen the fixing bolt.
- Pull the rear side of the air cleaner cover and move it forward to detach.
- If oil adheres to the element (sponge), squeeze it firmly.
- For heavy contamination:
 - 1) Remove the element (sponge), immerse it in warm water or in water-diluted neutral detergent, and dry it completely.
 - 2) Clean the element (felt) with gasoline, and dry it completely.
- Before attaching the elements, be sure to dry it completely. Insufficient drying of the elements may lead to difficult startup.
- Wipe out oil adhering around the air cleaner with waste cloth.
- Immediately after cleaning is finished, attach the cleaner cover and tighten it with fixing bolts. (In remounting, first place the upper claw.)



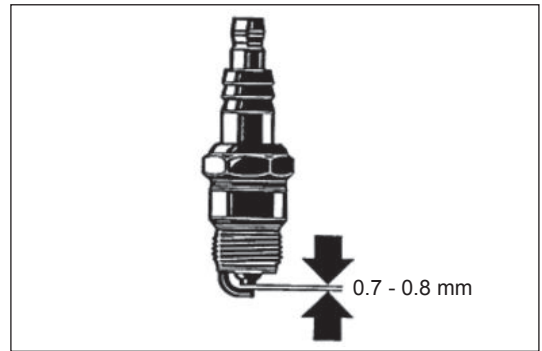
Points in handling the air cleaner elements

- Clean the elements several times a day, if excessive dust adheres to it.
- If operation continues with the elements remaining not cleared of oil, oil in the air cleaner may fall outside, resulting in oil contamination.

Checking the spark plug

Check and clean the spark plug daily or every 8 operating hours.

- Only use the supplied universal wrench to remove or install the spark plug.
- The gap between the two electrodes of the spark plug should be 0.7 to 0.8 mm. If the gap is too wide or too narrow, adjust it. If the spark plug is clogged with carbon or fouled, clean it thoroughly or replace it. Use an exact replacement.



Supplying grease and lubricant

- Supply grease through the grease nipple every 50 operating hours. (Shell Alvania No. 3 or equivalent)

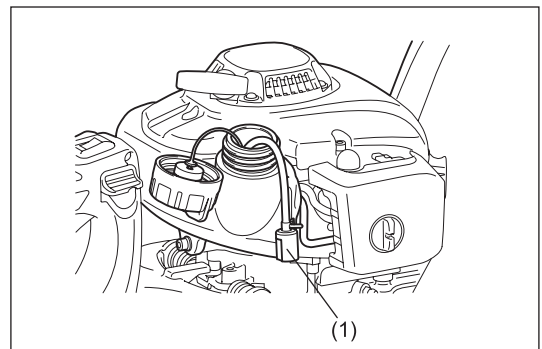
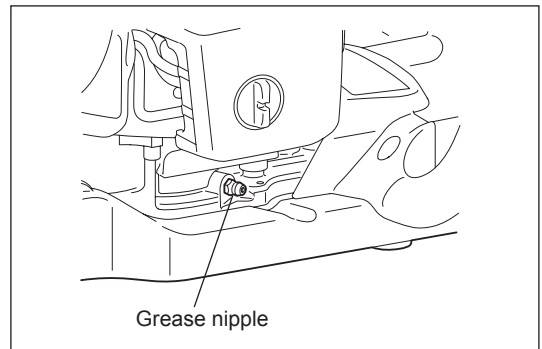
NOTE: Be sure to observe the specified time and amount of grease supply. Otherwise an insufficient grease supply will cause a machine trouble.

Cleaning the fuel filter (suction head in the fuel tank)

WARNING: Inflammables strictly prohibited

Check and clean the fuel filter monthly or every 50 operating hours.

- The felt filter (1) of the suction head is used to filter the fuel required by the carburetor.
- Visually check the felt filter regularly.
- To check the felt filter, open the tank cap, use a wire hook and pull out the suction head through the tank opening. Replace the felt filter if it has hardened, been contaminated or be clogged.
- Replace the felt filter at least quarterly to ensure an enough fuel supply to the carburetor. Otherwise an insufficient fuel supply will cause the engine start failure and limited maximum speed.



Replacing the fuel pipe

CAUTION: Inflammables strictly prohibited

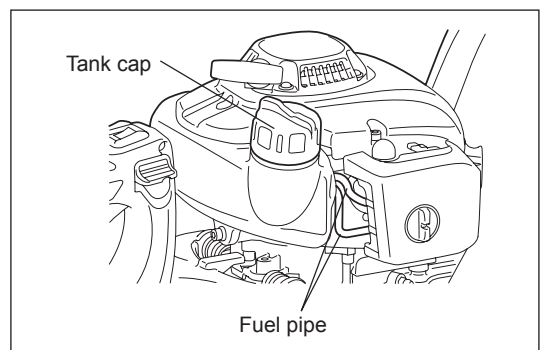
Check and clean the fuel pipe daily or every 10 operating hours.

Replace the fuel pipe every 200 operating hours or every year regardless of operating frequency. Otherwise fuel leakage may lead to fire.

If you find any leakage during inspection, replace the oil pipe immediately.

Replacing the tank cap

- If there is any flaw or damage on the tank cap, replace it.
- The tank cap wears out in course of time. Replace it every two or three years.



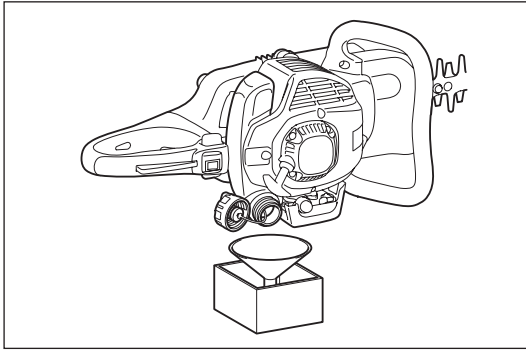
For any maintenance or adjustment not described in this manual, ask your local Makita authorized service center.

Daily checkup and maintenance

To ensure a long service life and to avoid any damage to the equipment, the following servicing operations should be performed at regular intervals.

- Before use;
 - Check the machine for loose screws or missing parts. Pay particular attention to the tightness of the cutter blade screws.
 - Check for clogging of the cooling air passage and the cylinder fins. Clean them if necessary.
 - Clean and check the fuel tank for fuel leakage or foreign object in the tank.
- After use;
 - Clean the hedge trimmer externally and inspect for damage.
 - Clean the air filter. When working under extremely dusty conditions, clean the filter several times a day.
 - Check the blades for damage and make sure they are firmly mounted.

STORAGE



- When keeping the machine in storage for a long time, drain fuel from the fuel tank and carburetor, as follows: Drain all fuel from the fuel tank.
- Remove the spark plug and add a few drops of oil into the spark plug hole. Then, pull the starter gently to confirm that oil film covers inside of the engine and tighten the spark plug.
- Clear dirt or dust from the cutter blade and outside of the engine, wipe them with a oil-immersed cloth and keep the machine at a place as dry as possible.

MAINTENANCE SCHEDULE

After each refuelling	Throttle lever I-O switch	Check the function Check the function
Before each use	Engine assembly, screws and nuts Air filter Cooling air duct Cutting tool Idling speed Fuel tank	Visually check for damage and tightness Check for general condition and security Clean Clean Check for damage and sharpness Inspection (cutting tool must not move) Check and clean
Every 50 hours	Gear case	Supply grease
Weekly	Spark plug	Check and replace if necessary
Yearly	Fuel pipe	Replace
Biyearly	Tank cap	Replace
Before long term storage	Fuel tank Carburetor Suction head	Empty and clean Operate until the engine runs out of fuel Replace

FAULT LOCATION

Fault	System	Observation	Cause
Engine not starting or under difficulties	Ignition system	Ignition spark is present	Faulty fuel supply or compression system, mechanical defect
		No ignition spark	I-O switch operated, wiring fault or short circuit, spark plug or connector defective, ignition module faulty
	Fuel supply	Fuel tank filled	Incorrect choke position, carburetor defective, suction head (gas line filter) dirty, fuel supply line bent or interrupted
	Compression	Inside of engine	Cylinder bottom gasket defective, crankshaft seals damaged, cylinder or piston rings defective
		Outside of engine	Improper sealing of spark plug
Warm start problems	Mechanical fault	Starter not engaging	Broken starter spring, broken parts inside of the engine
		Tank filled Ignition spark existing	Carburetor contaminated, have it cleaned
Engine starts but dies immediately	Fuel supply	Tank filled	Incorrect idling adjustment, suction head or carburetor contaminated
			Fuel tank vent defective, fuel supply line interrupted, cable or I-O switch faulty
Insufficient performance	Several systems may simultaneously be affected	Engine idling	Air filter contaminated, carburetor contaminated, muffler clogged, exhaust duct in the cylinder clogged

Tack för att du valde MAKITA häcktrimmer. Det är med glädje som vi kan erbjuda MAKITA häcktrimmer, ett resultat av lång utveckling grundad på många års kunskaper och erfarenheter.

Häcktrimmermodellerna EH5000W, EH6000W och EH7500W kombinerar senaste teknik med ergonomisk design. De är lätta, praktiska, kompakta och är anpassade för professionellt bruk inom många olika användningsområden.

Läs noggrant igenom denna bruksanvisning och följ anvisningarna under de olika punkter som demonstrerar produktens unika prestanda. Genom att noga följa dessa anvisningar får du bästa möjliga nytta av din MAKITA häcktrimmer och kan hantera den på säkraste sätt.



Innehåll	Sidan
Symboler	17
Säkerhetsanvisningar	18
Teknisk data	21
Delar	22
Bränsle / tankning	23
Försiktighetsåtgärder före start	24
Starta maskinen	25
Stäng av maskinen	25
Arbeta med maskinen	26
Justera vinkeln för bakre handtaget	26
Underhållsanvisningar	27
Förvaring	30
Underhållsschema	30
Felsökning	30

SYMBOLER

Det är mycket viktigt att förstå innebörden i följande symboler när du läser bruksanvisningen.

	VARNING/FARA		Bränsle och oljeblandning
	Läs, förstå och följ bruksanvisningen		Motor-manuell start
	Förbjudet		Nödstopp
	Rökning förbjuden		Första hjälpen
	Ingen öppen låga		Återvinning
	Skyddshandskar måste bäras		PÅ/START
	Håll alla personer och djur borta från arbetsområdet		AV/STOPP
	Bär skyddsglasögon och hörselskydd		CE-märkt

SÄKERHETSANVISNINGAR

Allmänna anvisningar

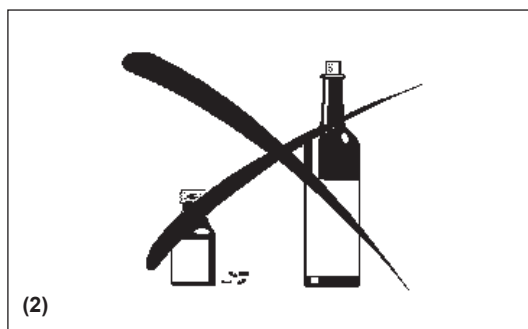
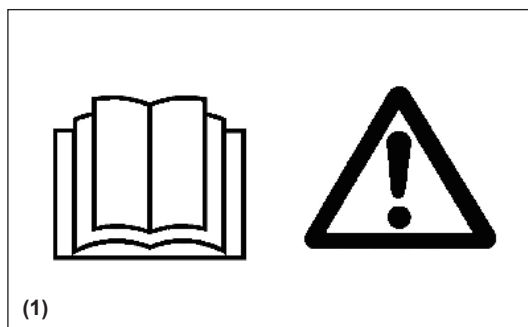
- DENNA MASKIN KAN ORSAKA ALLVARLIGA SKADOR. Läs noggrant igenom anvisningarna för korrekt hantering, förberedelse, underhåll, start och stopp av maskinen. Vänj dig vid alla manöverkontroller och den korrekta användningen av maskinen. (1)
- Låt inte personer utan erfarenhet genom användning av häcktrimmern använda den. Överlämna alltid bruksanvisningen också.
- Förstagångsanvändare ska låta försäljaren ge en demonstration av den motordrivna häcktrimmerns grundläggande funktioner för rätt hantering.
- Barn och ungdomar under 18 år får inte använda häcktrimmern. Ungdomar över 16 år kan dock använda maskinen för utbildning endast under övervakning av erfaren person.
- Använd häcktrimmern med största försiktighet och uppmärksamhet.
- Använd endast häcktrimmern när du är i god fysisk kondition. Utför allt arbete noggrant och i lugnt tempo. Maskinen används under användarens fulla ansvar.
- Använd aldrig häcktrimmern efter förtäring av alkohol eller droger, eller om du känner dig trött eller sjuk. (2)

Maskinens användningsområde

- Häcktrimmern är endast konstruerad för att trimma buskar och häckar, och får inte användas i något annat syfte. Behandla trimmern varsamt.

Personlig skyddsutrustning

- Tänk på att ha en bekväm och funktionell klädsel med god passform, dvs varken för hårt eller löst sittande plagg. Bär varken smycken eller löst sittande kläder som kan trassla in sig i sly, buskar eller i maskinen.
- För att undvika skador på ögon, händer och fötter samt för att skydda hörseln måste följande skyddsutrustning och skyddskläder bäras när häcktrimmern används.
- När du arbetar med häcktrimmern ska du alltid bära korgglasögon eller visir för att förhindra ögonskador. (3)
- Bär lämplig hörselskyddsutrustning för att undvika försämrad hörsel t ex hörselskydd, öronproppar etc. (3)
- Vi rekommenderar starkt att användaren bär arbetsoverall. (4)
- Speciella handskar tillverkade av tjockt läder är en del av den obligatoriska utrustningen och måste alltid bäras under användningen av häcktrimmern. (4)
- Bär alltid kraftiga skor med en halksäker sula vid användning av häcktrimmern. Detta skyddar mot skador och garanterar en god balans. (4)



Starta häcktrimmern

- Kontrollera att barn och andra obehöriga inte befinner sig inom ett arbetsområde av 15 meter (5) och var även uppmärksam på eventuella djur i omgivningen.
- Kontrollera alltid att säkerhetsaspekten är tillgodosedd innan du startar häcktrimmern.
- Kontrollera funktionen hos gasreglaget. Det ska fungera mjukt och smidigt. Kontrollera att gasreglagespärren fungerar korrekt. Se till att handtagen är rena och torra och testa att I-O strömbrytaren fungerar. Håll alltid handtagen rena från olja och bränsle.

Starta alltid häcktrimmern enligt anvisningarna.

Starta inte motorn på något annat sätt (6)!

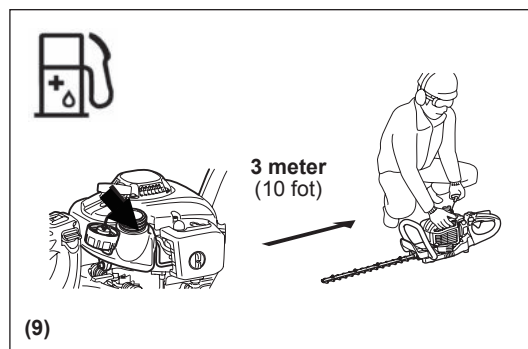
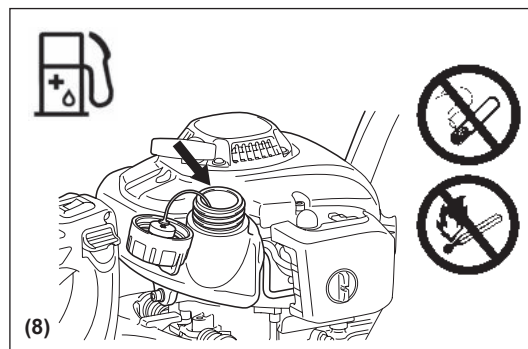
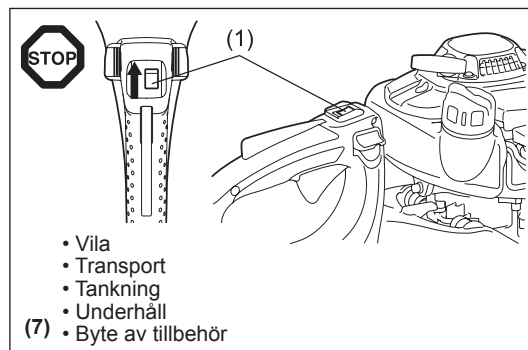
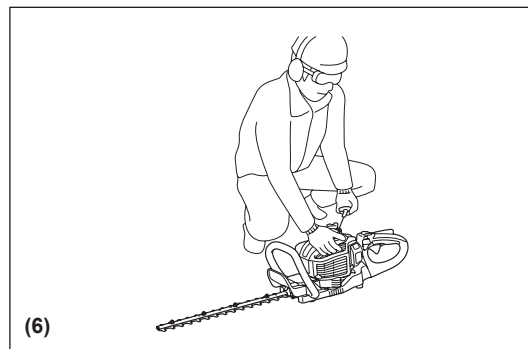
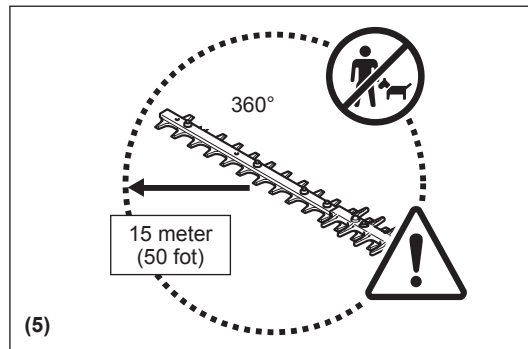
- Använd häcktrimmern endast på specificerat sätt.
- Starta häcktrimmerns motor endast efter det att hela monteringen är gjord. Häcktrimmern får endast användas efter att alla erforderliga tillbehör har monterats!
- Kontrollera före start att skärbladet inte kommer i kontakt med några föremål såsom grenar, stenar etc.
- Stanna omedelbart motorn om det uppstår något motorproblem.
- Under användningen ska du hålla händerna stadigt på främre och bakre handtaget genom att omsluta fingrarna runt handtagen. Håll handtagen rena och fria från fukt, olja och fett.

Se till att alltid ha god balans.

- Endast för utomhusanvändning.
- Var alltid medveten om din omgivning och var alltid uppmärksam på möjliga faror som du kanske inte hör pga maskinens buller.
- Hantera häcktrimmern på ett sådant sätt att du undviker inandning av avgaser. Kör aldrig motorn i stängda utrymmen (risk för kvävning och gasförgiftning). Koloxid är en luktlös gas. Se till att alltid ha god ventilation.
- Stäng av motorn under vila och när häcktrimmern lämnas utan tillsyn. Placera den på en säker plats för att förhindra risksituationer som involverar andra personer eller antändning av brännbart material eller skador på maskinen.
- Lägg aldrig ner en het häcktrimmer på torrt gräs eller annat brännbart material.
- För att minska brandrisken ska motorn och ljuddämparen hållas fria från skräp, löv och för mycket smörjolja.
- Kör aldrig motorn med en trasig ljuddämpare.
- Stäng av motorn under förflyttning (7).
- Stäng av motorn före:
 - borttagning av något som blockerar
 - kontroll, underhåll eller arbete som ska utföras på maskinen.
- Placera häcktrimmern säkert vid transport i fordon för att undvika bränsleläckage.
- Vid transport av häcktrimmern ska bränsletanken vara helt tömd för att undvika bränsleläckage.
- Vid transport eller förvaring av maskinen ska alltid skärbladsskyddet sitta på.

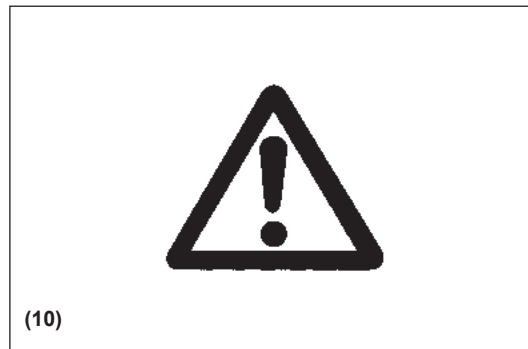
Tankning

- Stäng av motorn vid tankning (7), se till att ingen öppen låga finns i närheten (8) och rök inte.
- Tanka inte en varm maskin eller medan motorn är igång.
- Låt inte petroleumprodukter komma i kontakt med huden. Andas inte in bränsleångor. Bär alltid handskar under tankningen. Byt och tvätta skyddskläder regelbundet.
- Se till att bränsle- eller oljespill inte förekommer för att undvika att marken blir kontaminerad (miljöskydd). Torka genast av häcktrimmern om du spillt bränsle på den. Låt trasorna som har använts för att torka av bränslet med torka på en välventilerad plats innan de kastas. I annat fall kan det orsaka självantändning.
- Undvik att få bränsle på kläderna. Byt kläder omedelbart om du spillt bränsle på dig (brandrisk).
- Kontrollera regelbundet att tanklocket sitter fast ordentligt.
- Dra åt tanklocket ordentligt. Starta inte motorn på samma plats som du har tankat (flytta maskinen minst 3 meter bort) (9).
- Tanka aldrig i ett stängt utrymme. Bränsleångor ansamlas på golvnivå (explosionsrisk).
- Transportera och förvara bränslet endast i godkända behållare. Se till att barn inte kan komma i kontakt med bränslet.
- Vid blandning av bensin med tvåtaktsmotorolja ska endast bensin som inte innehåller någon etanol eller metanol användas (typer av alkohol). Detta hjälper att förebygga skada på bränslesystemet och andra motordelar.



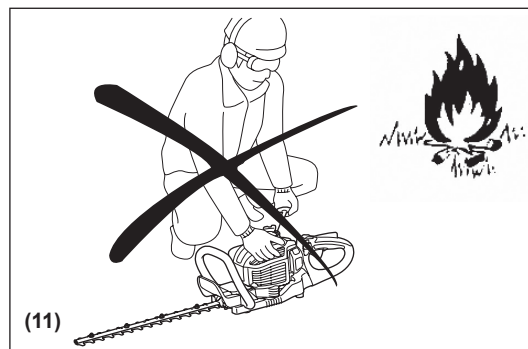
Arbetsmetod

- Håll alltid båda händerna på handtagen under användningen av maskinen.
- Använd häcktrimmern endast då du har goda ljus- och siktförhållanden. Var uppmärksam på våta och hala fläckar, snö och is under den kalla säsongen (risk att halka). Se alltid till att ha bra fotfäste.
- Arbeta aldrig på ostabilt underlag eller på branta sluttningar.
- Stå aldrig på en stege när du använder häcktrimmern.
- Klättra aldrig upp i träd för att klippa med häcktrimmern.
- Gå aldrig baklänges under arbete för att minska risken för att snubbla eller förlora kontrollen över maskinen.
- Stäng alltid av motorn innan du rengör eller underhåller maskinen eller byter delar.
- Använd inte maskinen med ett skadat eller utslitet skärverktyg.



Underhållsanvisningar

- Ta hänsyn till omgivningen. Använd häcktrimmern under så tysta och rena förhållanden som möjligt. Kontrollera i synnerhet inställningen på förgasaren.
- Rengör häcktrimmern regelbundet och kontrollera att alla skruvar och muttrar är ordentligt åtdragna.
- Underhåll aldrig eller förvara häcktrimmern i närheten av öppen låga, gnistor osv (11).
- Töm bränsletanken innan förvaring av häcktrimmern.
- Förvara aldrig häcktrimmern i närheten av öppen låga för att undvika brand.
- Förvara häcktrimmern på en välventilerad, hög eller låst plats utom räckhåll för barn.
- Utför inga reparationer på maskinen om du inte har behörighet att göra det.



läkta och följ alla relevanta olycksförebyggande föreskrifter utgivna av branschorganisationens säkerhetsstyrelse och försäkringsbolag.

Ändra inte konstruktionen på häcktrimmern eftersom det innebär en säkerhetsrisk.

Inga andra underhållsåtgärder eller reparationsarbeten än de som beskrivs i bruksanvisningen får utföras av användaren. Allt annat arbete ska utföras av en auktoriserad verkstad.

Använd endast originalreservdelar och -tillbehör från MAKITA auktoriserade servicecenter eller från fabrikksservicecentret.

Användning av icke godkända tillbehör och verktyg medför ökad olycks- och skaderisk. MAKITA kan inte hållas ansvarig för olyckor eller skador som har orsakats genom användning av icke godkända tillbehör.

Första hjälpen

En välutrustad förstahjälpensväska enligt DIN 13164 ska alltid finnas i närheten av arbetsplatsen i händelse av en olycka.

Se till att förstahjälpensväskan alltid hålls komplett.

Om hjälp behöver påkallas ska följande information lämnas:

- Platsen för olyckan
- Vad som hänt
- Antal skadade personer
- Skadornas omfattning
- Ditt namn



Förpackning

MAKITA häcktrimmer levereras i en skyddande kartong för att förhindra transportskador. Pappkartong är ett naturligt råmaterial som kan återanvändas eller är lämplig för återvinning (pappersåtervinning).



EU-DEKLARATION OM ÖVERENSSTÄMMELSE

Vi Makita Corporation som ansvarig tillverkare deklarerar här med att följande maskin(er) från Makita:

Maskinbeteckning: Bensindriven häcktrimmer
 Modellenr./type: EH5000W, EH6000W, EH7500W
 Specifikationer: se "TEKNISK DATA"

ingår i serieproduktion och

uppfyller följande Europeiska direktiv:

2000/14/EU, 2006/42/EU

Och är tillverkade enligt följande standard(er) eller standardiseringsdokument:

EN ISO 10517

Den tekniska dokumentationen förs av vår auktoriserade representant i Europa som är:

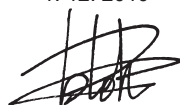
Makita International Europe Ltd.
 Michigan Drive, Tongwell, Milton Keynes, Bucks MK15 8JD, England

Konformitetsgodkännandet som krävs av direktiv 2000/14/EU, var i överensstämmelse med Annex V.

Uppmätt ljudeffektnivå: EH5000W 104,0 dB (A), EH6000W 104,2 dB (A), EH7500W 104,8 dB (A)

Garanterad ljudeffektnivå: alla modeller 106 dB (A)

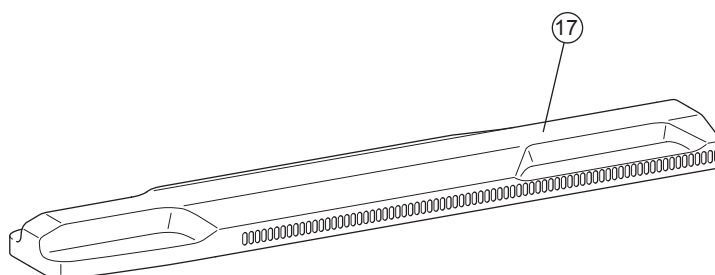
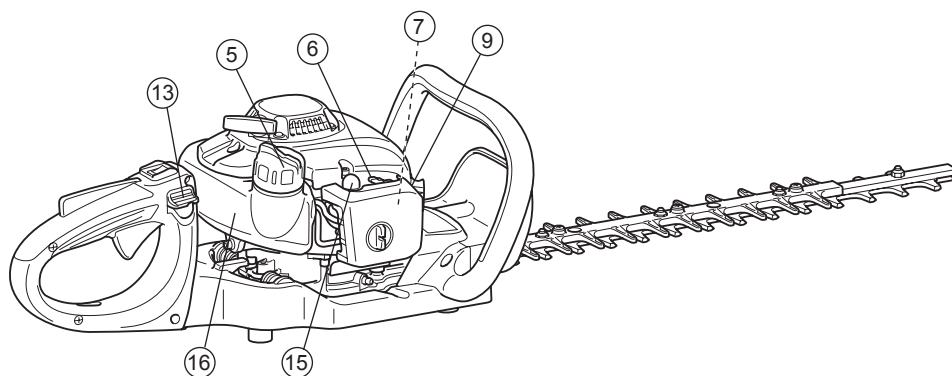
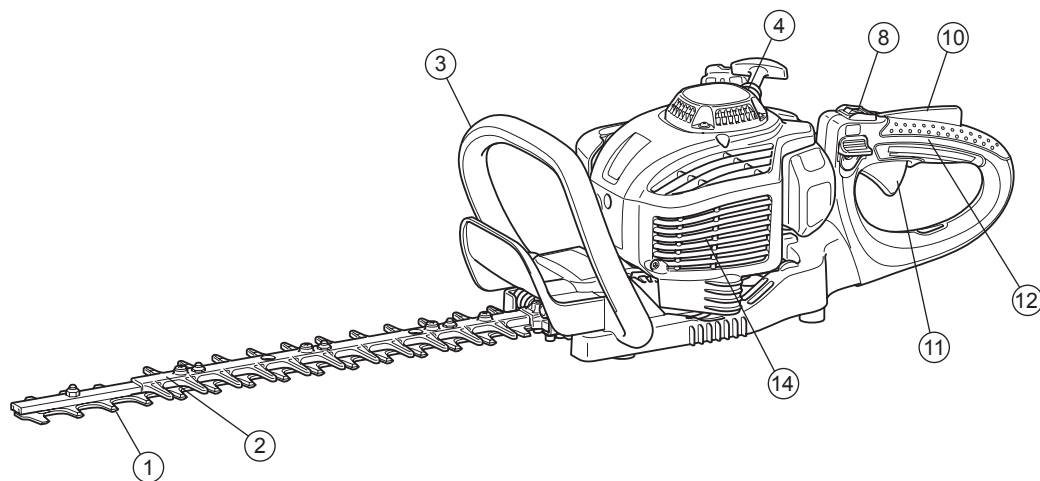
1. 12. 2010



Tomoyasu Kato
 Direktör
 Makita Corporation
 3-11-8, Sumiyoshi-cho,
 Anjo, Aichi, 446-8502, JAPAN

TEKNISK DATA

Modell		EH5000W	EH6000W	EH7500W	
Mått (L x B x H)	mm	1 014 x 262 x 216	1 119 x 262 x 216	1 259 x 262 x 216	
Vikt (utan skärbladsskydd)	kg	4,8	5,0	5,2	
Volym (bränsletank)	L	0,4			
Cylindervolym	cm ³	22,2			
Skärlängd	mm	483	588	728	
Maximal motoreffekt	kw	0,68			
Slag per minut	min ⁻¹	4 270			
Tomgångsvarvtal	min ⁻¹	3 000			
Ingreppsvarvtal för koppling	min ⁻¹	4 000			
Typ av förgasare	typ	WALBRO WYL			
Tändsystem	typ	Fördelaröst			
Tändstift	typ	NGK CMR6A			
Elektroavstånd	mm	0,7 - 0,8			
Vibration per EN ISO 10517	Höger handtag	$a_{hv\ eq}$ m/s ²	2,5	2,7	2,3
		Mättolerans K m/s ²	1,3	1,1	1,6
	Vänster handtag	$a_{hv\ eq}$ m/s ²	2,5	2,8	2,3
		Mättolerans K m/s ²	1,3	1,1	1,2
Buller per EN ISO 10517	Ljudtrycksnivå	dB (A)	93,0	92,8	93,9
		Mättolerans K dB (A)	1,4	2,2	1,2
	Ljudeffektnivå	dB (A)	103,0	103,2	103,8
		Mättolerans K dB (A)	2,1	1,5	1,3
Blandningsförhållande (bränsle: motorolja)	MAKITA tvåtaktsmotorolja		50 : 1		
	Andra tillverkares tvåtaktsmotorolja		25 : 1		
Kuggutväxling		9 : 43			



	DELAR		DELAR		DELAR
1	Skärblad	7	Förgasare (visas inte)	13	Frigöringsspak
2	Trubbig förlängning	8	I-O strömbrytare (PÅ-AV)	14	Ljuddämpare
3	Främre handtag	9	Tändstift	15	Primerpump
4	Startsnöre	10	Säkerhetsspärr	16	Bränsletank
5	Tanklock	11	Gasreglage	17	Skärbladsskydd
6	Chokereglage	12	Bakre handtag		

Bränsle och oljeblandning

- Häcktrimmerns motor är en högpresterande tvåtaktsmotor. Den går på en blandning av bensin och tvåtaktsmotorolja. Motorn är konstruerad för blyfri bensin med ett lägsta oktantal på 91 ROZ. Om den bensinen inte finns tillgänglig kan du använda en med ett högre oktantal. Det skadar inte motorn men kan leda till sämre drift. Liknande situation uppstår om du använder blyhaltig bensin. Endast blyfri bensin ska användas för att erhålla optimal motorfunktion och för att skydda din hälsa och miljön!
- För att smörja motorn ska en tvåtaktsmotorolja användas (kvalitetsgrad: TSC-3) som hålls i bensinen. Motorn har konstruerats för användning med MAKITA tvåtaktsmotorolja och ett blandningsförhållande av 50:1 endast för att skydda miljön. Dessutom är ett långt serviceliv och en pålitlig drift med ett minimalt avgasutsläpp garanterat. Det är absolut nödvändigt med ett blandningsförhållande av 50:1 (MAKITA tvåtaktsmotorolja) annars kan inte en pålitlig funktion för häcktrimmern garanteras.
- Det korrekta blandningsförhållandet:
Bensin: specificerad tvåtaktsmotorolja = 50 : 1 eller
Bensin: andra tillverkares tvåtaktsmotorolja = 25 : 1
rekommenderas

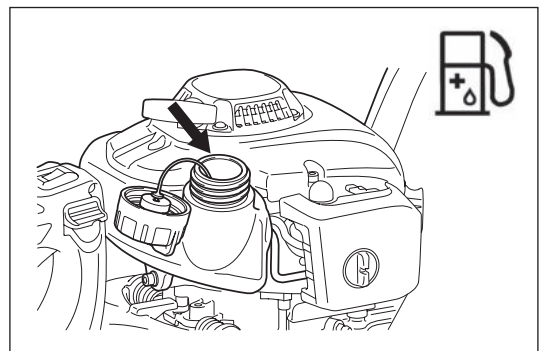
OBS: För att förbereda bensinoljablandningen ska du först blanda hela oljemängden med halva bensinmängden i en godkänd behållare som uppfyller eller överstiger lokala standarder. Tillsätt sedan resten av bensinen. Skaka blandningen ordentligt innan du tankar häcktrimmern med den. Lägg inte till mer olja än vad som har angivits för att försäkra säker drift. Det resulterar endast i en högre avgasproduktion vilket förorenar miljön och täpper igen cylinderns utsugskanal liksom ljuddämparen. Dessutom höjs bränsleförbrukningen och effekten minskar.

Hantering av mineralolja produkter

Största försiktighet krävs vid hantering av bränsle. Bränsle kan innehålla ämnen liknande lösningsmedel. Tanka antingen på en välventilerad plats eller utomhus. Andas inte in bränsleångor och undvik hudkontakt med bränsle och olja. Om din hud kommer i kontakt med dessa ämnen upprepade gånger under en längre period torkar huden ut. Det kan medföra olika hudsjukdomar. Dessutom är det känt att allergiska reaktioner kan uppstå. Olje- och bränslestänk etc i ögonen orsakar irritation. Spola omedelbart ögonen med rent vatten om du har fått olje- eller bränslestänk etc. i dem. Om irritationen kvarstår ska du omgående uppsöka läkare!



Lägg märke till säkerhetsanvisningarna på sidan 19.



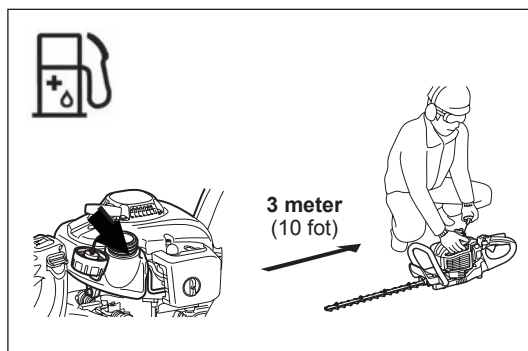
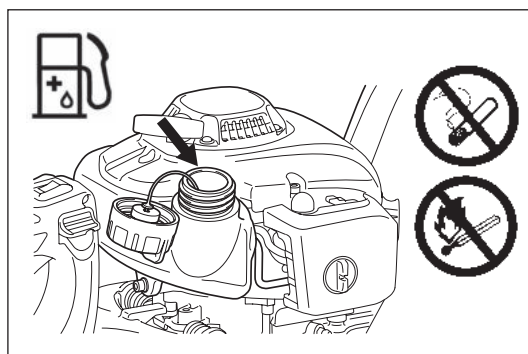
Bensin	+	Olja
	50:1	
	50:1	25:1
1 000 cm ³ (1 liter)		20 cm ³ 40 cm ³
5 000 cm ³ (5 liter)		100 cm ³ 200 cm ³
10 000 cm ³ (10 liter)		200 cm ³ 400 cm ³

Tankning

- Motorn måste vara avstängd.
- Stäng av motorn vid tankning och se till att inga lågor finns i närheten, samt rök inte.
- Se till att bränsle- eller oljespill inte förekommer för att undvika att marken blir kontaminerad.
Rengör häcktrimmern omedelbart om du spillt bränsle på den.
- Spill inte bränsle på motorn. Torka av om du spillt bränsle.
- Undvik att få bränsle på kläderna. Byt omedelbart dina kläder om du fått bränslespill på dem (för att undvika att kläderna fattar eld).
- Kontrollera regelbundet att tanklocket sitter fast ordentligt och att det inte läcker bränsle.
- Dra åt tanklocket ordentligt. Starta inte motorn på samma plats som du har tankat (flytta maskinen minst 3 meter bort).
- Tanka aldrig i ett stängt utrymme. Bränsleångor ansamlas på golvnivå. (Explosionsrisk.)
- Transportera och förvara bränslet endast i godkända behållare. Se till att barn inte kan komma i kontakt med bränslet.
- Rengör noga området runt tanklocket så att inte smuts kommer ner i bränsletanken.
- Skruva av tanklocket och fyll tanken med bränsle. Använd en filtertratt för att filtrera bränslet.
- Skruva endast tillbaka tanklocket för hand.
- Rengör runt tanklocket och tanken efter tankningen.
- Torka alltid upp bränsle som spillts ut för att förebygga brand.

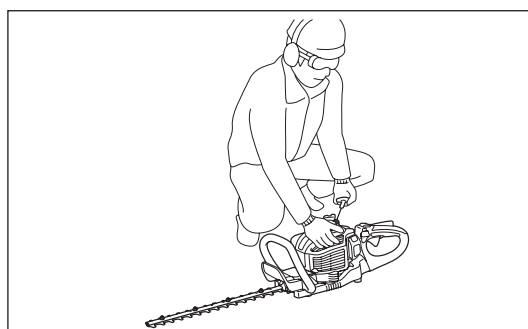
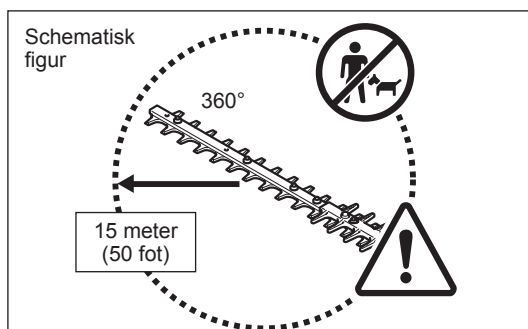
Bränsleförvaring

- Bränsle har begränsad hållbarhet.
- Köp endast den mängd som du behöver för en 4 veckors driftsperiod.
- Använd endast godkända förvaringsbehållare.



FÖRSIKTIGHETSÅTGÄRDER FÖRE START

- Förvissa dig om att varken barn eller andra personer befinner sig inom ett arbetsområde av 15 meter. Se också upp för djur i närheten.
- Kontrollera alltid att säkerhetsaspekten är tillgodosead innan du startar häcktrimmern. Kontrollera så att skärverktyget inte är skadat, att kontrollspaken fungerar smidigt och att I-O strömbrytaren fungerar felfritt. Kontrollera så att inte skärbladen rör sig när motorn står på tomgång. Kontakta din återförsäljare om du är osäker på justeringen. Kontrollera att handtagen är rena och torra och testa att I-O strömbrytaren fungerar.
- Starta alltid häcktrimmern enligt anvisningarna. Starta inte motorn på något annat sätt! (Se Start)
- Starta endast motorn efter det att hela monteringen är gjord. Start av motorn är endast tillåten efter det att alla de tillhörande tillbehören är monterade! I annat fall finns det risk för skada.
- Kontrollera före start att skärbladen inte kommer i kontakt med något föremål såsom grenar, stenar etc.
- Kontrollera området som ska klippas så att det inte finns ledningar, kablar, glas eller andra föremål som kan komma i kontakt med skärbladet.
- Elektrisk stöt. Var uppmärksam på alla elkablar och elstängsel. Kontrollera före trimningen att det inte finns några elkablar i området.



STARTA MASKINEN

Flytta dig minst 3 meter bort från platsen för tankningen. Placera häcktrimmern på en ren plats på marken. Kontrollera så att inte skärbladen kommer i kontakt med marken eller andra föremål.

Kallstart: (När motorn är kall eller att den har varit avstängd i mer än 5 minuter eller vid tankning.)

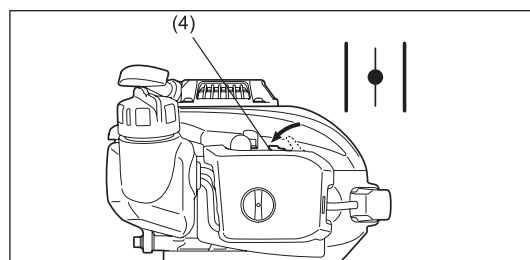
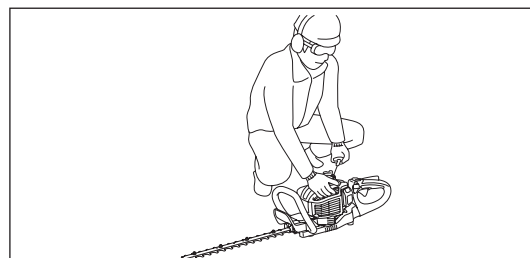
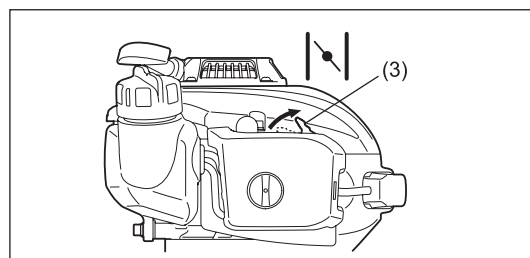
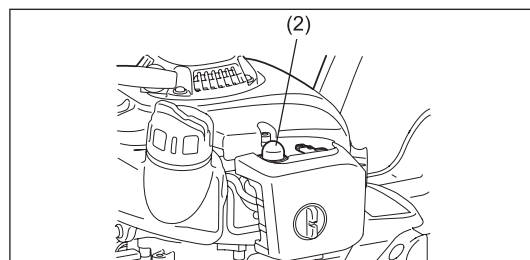
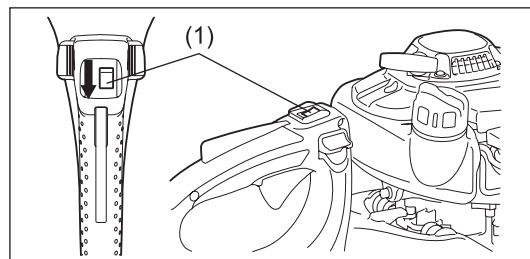
1. Ställ I-O strömbrytaren (1) i läge "I".
2. Försätt att trycka på primerpumpen (2) försiktigt (7 till 10 gånger) tills bränsle kommer in i primerpumpen.
3. Flytta chokereglaget (3) till läge "I".
4. Håll ner häcktrimmern stadigt för att undvika att förlora kontrollen över den när du rycker igång motorn. I annat fall kan det orsaka allvarlig skada och/eller skada på egendom pga fall eller kontakt med skärbladet.
5. Dra ut starthandtaget sakta 10 till 15 cm tills du känner motstånd.
6. Dra hårt i starthandtaget när du känner motstånd och starta motorn.
7. När motorn startar eller hoppar igång och stannar, ska du föra tillbaka chokereglaget (4) på "I".
8. Kör motorn i cirka en minut på måttlig hastighet innan du accelererar till full gas.

Obs: • Om du upprepade gånger drar i starthandtaget när chokereglaget förblir i läget "I", kommer motorn inte att bli lättstartad på grund av för mycket bränsletillförsel.

- I händelse av för mycket bränsletillförsel ska du ta bort tändstiftet och sakta dra i starthandtaget för att ta bort överskottsbränslet. Torka också av tändstiftets elektroddel.

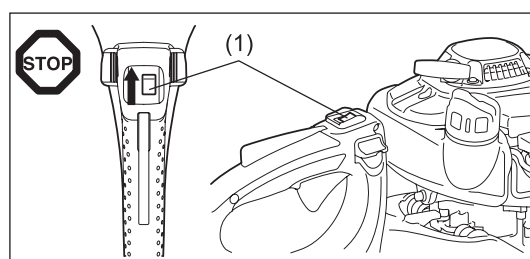
Varmstart: (Starta om direkt efter det att motorn stannat.) Vid omstart av en het motor ska du först prova proceduren ovan: 1, 2, 4, 5, 6 med chokereglaget (4) på "I". Om motorn inte startar, repetera ovanstående steg 1-8.

Obs: Dra inte ut startsnöret helt. Tillåt inte att starthandtaget går tillbaka okontrollerat. Se till att det går tillbaka långsamt.



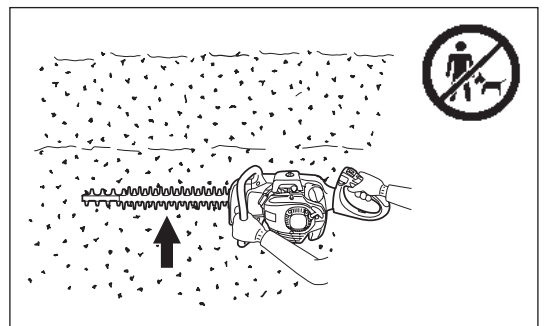
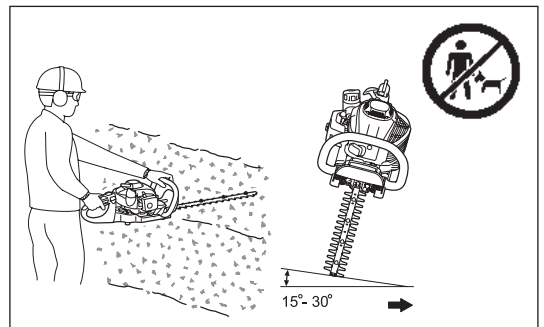
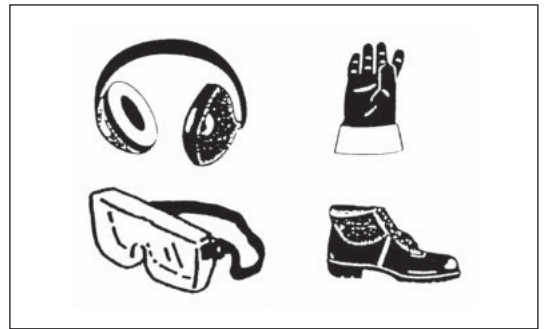
STÄNG AV MASKINEN

1. Släpp gasreglaget helt.
2. Ställ I-O strömbrytaren (1) i läge "O". Motorn kommer att sakta ner och stanna.



ARBETA MED MASKINEN

- Använd aldrig häcktrimmern med ett löst sittande handtag.
- Nudda aldrig skärbladen vid start av motorn eller under drift.
- Hantera häcktrimmern på ett sådant sätt att du undviker inandning av avgaserna. Kör aldrig motorn i stängda utrymmen (risk för gasförgiftning). Koloxid är en luktfri gas.
- All skyddsutrustning som t ex ett skydd som medföljer maskinen, måste användas under drift.
- Kör aldrig motorn om ljuddämparen är trasig eller saknas.
- Använd häcktrimmern endast då du har goda ljus- och siktförhållanden.
- Var uppmärksam på våta och hala fläckar, snö och is under vintersäsongen. (Halkrisk.) Se alltid till att ha bra fotfäste.
- Stå aldrig på en stege när du använder häcktrimmern. Stå med båda fötterna på marken.
- Klättra aldrig upp i träd för att klippa med häcktrimmern.
- Arbeta aldrig på ostadigt underlag.
- Ta bort sand, stenar, spikar, kablar etc. som finns i arbetsområdet. Främmande föremål kan skada skärbladen.
- Före trimningen ska grenar som är 8 mm eller grövre klippas av med en sekator.
- Innan klippningen kan börja måste skärbladen uppnått full arbetshastighet.
- Håll alltid stadigt i häcktrimmern med båda händerna på handtagen.
- Håll ett stadigt tag med tummarna och fingrarna om handtagen.
- När du släpper gasreglaget tar det ett ögonblick innan skärbladen stannar.
- Arbeta inte med häcktrimmern när den går på hög tomgång. Du kan inte justera skärhastigheten med gasreglaget om tomgångshastigheten är för hög.
- Under skärbrevet ska du hålla häcktrimmern så att skärbladen bildar en 15-30° vinkel mot skärlinjen.
- Var särskilt uppmärksam vid trimning av häckar i närheten av eller mot elstängsel.
- Vidrör inte hårda föremål såsom elstängsel, stenar eller marken med skärbladen. Det kan få skärbladen att spricka, flisa eller gå av.
- Stäng omedelbart av motorn och inspektera skärbladen om de har slagit i stenar eller andra hårda föremål. Byt ut skadade skärblad innan du börjar arbeta på nytt.
- Ta en paus då och då. Makita rekommenderar att ta en 10 - 20 minuters vila var 50:e arbetsminut.
- Stäng av motorn omedelbart vid motorproblem.
- Använd häcktrimmern under så tysta och rena förhållanden som möjligt. Kontrollera särskilt att inställningen av förgasaren och bränsle/oljaförhållandet är rätt.
- Försök aldrig att ta bort något som har fastnat när skärbladen är igång. Ställ ner maskinen, stäng av den och ta bort det som fastnat.



JUSTERA VINKELN FÖR BAKRE HANDTAGET

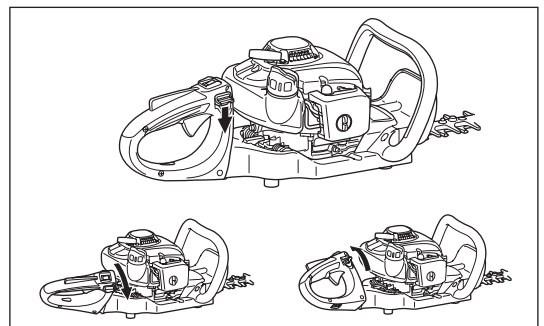
Det bakre handtaget kan vridas ned till 90° på vänster eller höger sida och ställas in på 45° på vardera sida.

För att ändra vinkeln:

1. Tryck på frigöringsspaken för att frigöra spärren.
2. Vrid hantaget till 0°, 45° eller 90° vinkel.
3. Kontrollera så att frigöringsspaken går tillbaka till dess ursprungliga läge och spärras.

Tryck inte på gasreglaget medan frigöringsspaken inte är spärrad.

Öppna inte spärren under drift.



UNDERHÅLLSANVISNINGAR

- Stäng av motorn och ta bort tändkabeln vid rengöring/utbyte/slipning av skärbladen eller vid annat underhållsarbete.
- Räta aldrig ut eller svetsa ett skadat skärblad.
- Kontrollera skärbladen ofta med motorn avstängd, så att det inte uppstått skador.
- Håll skärbladen vassa.
- Rengör häcktrimmern och kontrollera regelbundet att alla skruvar och muttrar är ordentligt åtdragna.
- Serva aldrig häcktrimmern i närheten av öppen låga för att undvika brand.
- Bär alltid läderhandskar när du hanterar eller slipar skärbladen eftersom de är vassa.

Slipa skärblad

De övre/undre skärbladen slits ut. Slipa inte kontaktytorna (glidande ytor) på de övre och undre kanterna.

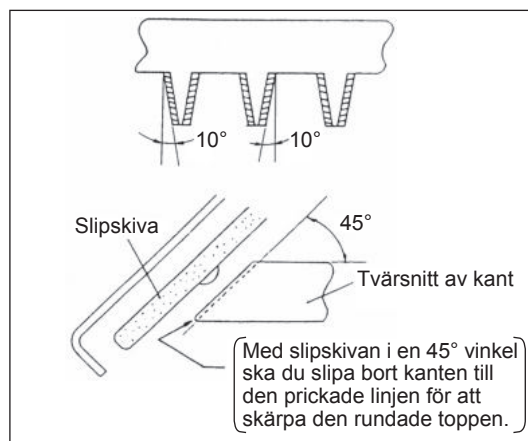
- Se till före slipningen att fästa skärbladet ordentligt och stäng av motorn samt ta bort tändhatten.
- Bär handskar, skyddsglasögon etc.
- Ta inte bort för mycket material. Skärbladet förlorar sin härdade yta och det leder till att det blir slött mycket snabbt vid användning.



Justera skärbladens avstånd

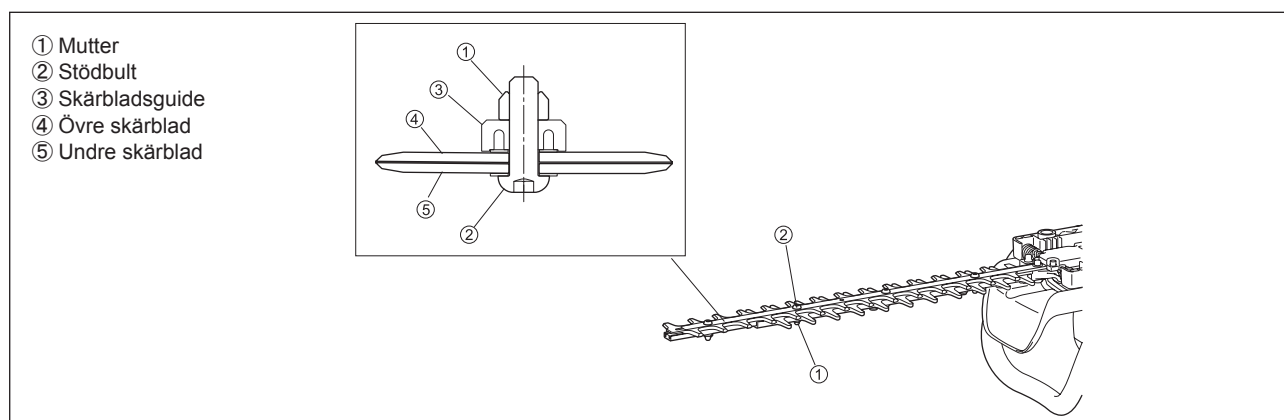
De övre/undre skärbladen går emot varandra under drift och de slits med lång användning. Om du inte kan få ett rent skär även om skärbladen är vassa nog, ska avståndet justeras enligt följande.

1. Ta bort den trubbiga förlängningen genom att lossa skruvarna.
2. Lossa muttern (1) med en hylsnyckel eller fast nyckel.
3. Dra åt stödbulten (2) lätt med en insexnyckel tills den stoppar och skruva sedan tillbaka den ett kvarts varv.
4. Dra åt muttern (1) medan du håller stödbulten (2).
5. Tillsätt en lätt olja på skärbladens friktionsyta.
6. Starta motorn och kör gasen på och av i en minut.
7. Mät den nödvändiga tiden som skärbladen behöver för att stanna efter att gasen släppts. Om det tar två sekunder eller längre tid, ska du stanna motorn och upprepa steg 2 till 7.
8. Stanna motorn och vidrör skärbladsytan. Om de inte är för heta att röra vid, har du gjort en korrekt justering. Om de är för heta att röra vid, ska du vrida stödbulten (2) tillbaka lite och upprepa steg 6 till 8.
9. Fäst den trubbiga förlängningen genom att dra åt skruvarna.



OBS: Innan du utför justeringen, ska du stanna motorn och vänta tills skärbladen har stannat.

Skärbladen har en skära runt skruven (2). Om du hittar damm i änden på något av spåren, rengör det.



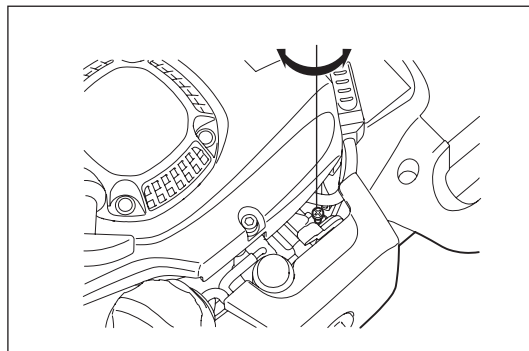
Kontrollering och justering av tomgången

Skärbladen ska inte löpa när motorn står på tomgång.

- Tomgångsvarvtalet ska vara satt till 3 000 min⁻¹ (rpm).
- Om det behövs, justera tomgångsskruven (skärbladen får inte löpa när motorn står på tomgång).
 - Skärbladen löper under tomgång - vrid tomgångsskruven moturs för att sänka tomgångsvarvtalet.
 - Motorn stannar under tomgång - vrid tomgångsskruven medurs för att öka tomgångsvarvtalet.

Kontakta din närmsta auktoriserade verkstad om skärbladen fortsätter att löpa vid tomgång efter justeringen.

- Kopplingen ska aktiveras vid 3 750 min⁻¹ (rpm) eller högre varv.
- Kontrollera funktionen för I-O strömbrytaren, säkerhetsspärren och gasreglaget.



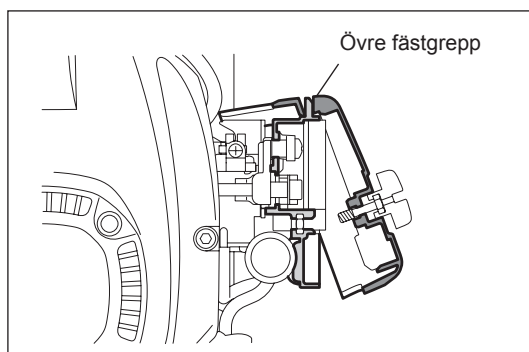
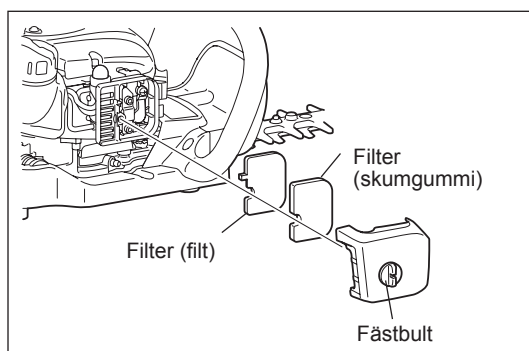
Rengöring av luftrenaren



FARA: Lättantändliga material är strikt förbjudna

Kontrollera och rengör luftrenaren dagligen eller var 10:e driftstimme.

- Stäng chokereglaget helt och håll damm och smuts borta från förgasaren.
- Lossa fästbulten.
- Ta tag och dra i baksidan på luftrenarskyddet och flytta det sedan framåt för att lossa det.
- Krama noggrant ur filtret (skumgummi) om det finns olja i det.
- Om filtret är mycket smutsigt:
 - 1) Ta bort filtret (skumgummi) och sänk ner det i varmt vatten eller i svag diskmedelslösning och låt det torka helt.
 - 2) Rengör filtret (filt) med bensin och låt det torka helt.
- Innan du sätter tillbaka filtren måste de vara fullständigt torra. Filter som inte är helt torra kan leda till startsvårigheter.
- Torka av olja som fastnat runt luftrenaren, med en trasa.
- Skruva fast luftrenarskyddet så snart rengöringen är avslutad och dra åt det med fästbultar. (Vid återmonteringen ska först den övre kanten sättas fast.)



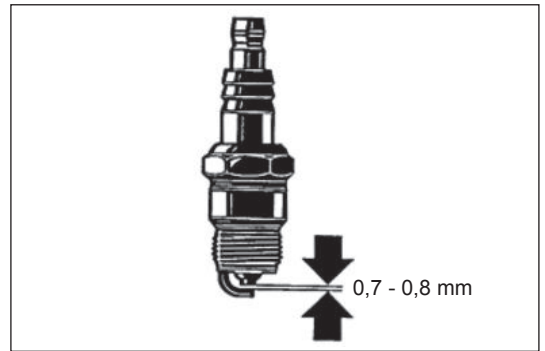
Viktigt vid hanteringen av luftrenarfiltren

- Rengör filtren flera gånger om dagen om det fastnar mycket smuts på dem.
- Om du fortsätter att arbeta med oljebemängda filter kan läckande olja från luftrenaren förorena oljan.

Kontroll av tändstiftet

Kontrollera och rengör tändstiftet dagligen eller var 8:e driftstimme.

- Använd endast den medföljande nyckeln för att ta bort eller montera tändstiftet.
- Avståndet mellan tändstiftets två elektroder ska vara 0,7 till 0,8 mm. Om avståndet är för brett eller för smalt ska det justeras. Om tändstiftet är igensatt med koldioxid eller förorenat ska det rengöras ordentligt eller bytas ut. Använd en exakt likadan reservdel.



Påfyllning av smörjolja och smörjmedel

- Fyll på med smörjolja genom smörjnippeln var 50:e driftstimme. (Shell Alvania nr. 3 eller likvärdig)

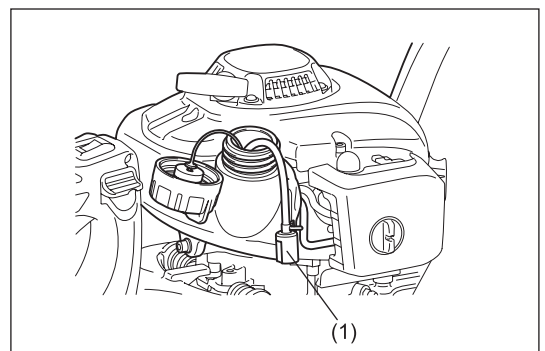
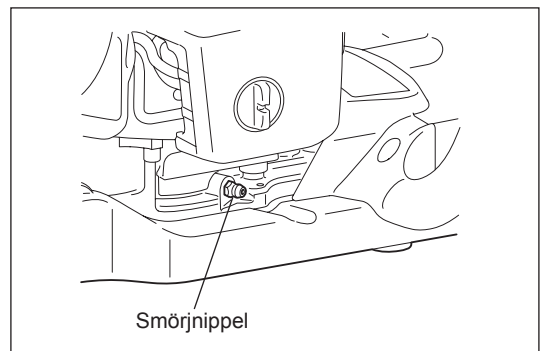
OBS: Kontrollera den specifika tiden och smörjoldemängden som fylls på. Annars kan en otillräcklig mängd smörjolja orsaka maskinproblem.

Rengöring av bränslefiltret (filterkapsel i bränsletanken)

VARNING: Lättantändliga material är strikt förbjudna

Kontrollera och rengör bränslefiltret varje månad eller var 50:e driftstimme.

- Filtret av filt (1) i filterkapseln används för att filtrera den mängd bränsle som krävs av förgasaren.
- Kontrollera regelbundet filtret (filt) visuellt.
- Öppna tanklocket och använd en ståltrådiskrok för att dra ut filterkapseln genom tanköppningen för att kontrollera filtret (filt). Byt ut filtret (filt) om det har hårdnat, blivit smutsigt eller är igensatt.
- Byt ut filtret (filt) varje kvartal för att försäkra en tillräcklig bränsletillförsel till förgasaren. I annat fall kan det leda till att motorn inte startar och begränsad maxhastighet.



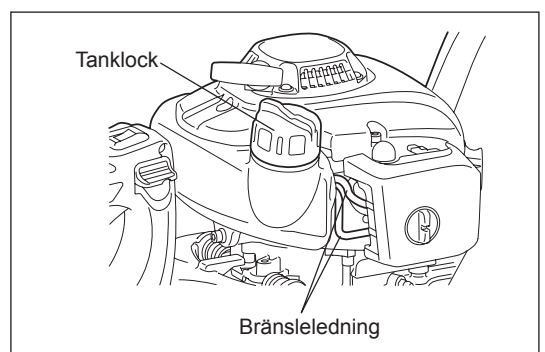
Utbyte av bränsleledning

FÖRSIKTIGHET: Lättantändliga material är strikt förbjudna

Kontrollera och rengör bränsleledningen dagligen eller var 10:e driftstimme. Byt ut bränsleledningen var 200:e driftstimme eller varje år oavsett driftfrekvens. Annars kan bränsleläckage leda till brand. Byt omedelbart ut oljeledningen om något läckage upptäcks under inspektionen.

Utbyte av tanklocket

- Byt ut tanklocket om det har någon spricka eller om det är skadat.
- Tanklocket slits ut med tiden. Byt ut det vartannat eller vart tredje år.



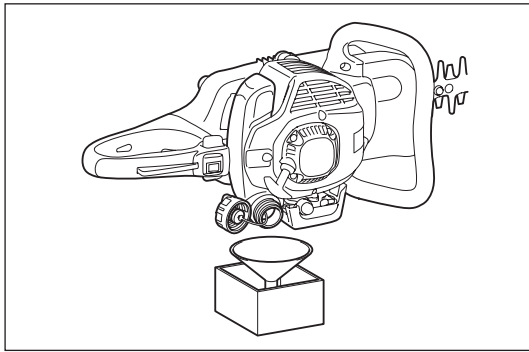
Fråga din lokala auktoriserade Makita-verkstad för underhålls- eller justeringsarbeten som inte är beskrivna i denna bruksanvisning.

Daglig kontroll och underhåll

Följande servicearbeten ska utföras regelbundet för att försäkra en lång livslängd och för att undvika skada på utrustningen.

- Före användning:
 - Kontrollera maskinen så att det inte finns några lösa skruvar eller saknade delar. Lägg särskilt märke till åtdragningen av skärbladsskruvarna.
 - Kontrollera så att luftkylningspassagen och cylinderns flänsar inte är igensatta. Rengör dem vid behov.
 - Rengör och kontrollera bränsletanken för bränsleläckage eller främmande föremål i tanken.
- Efter användning:
 - Rengör häcktrimmern på utsidan och kontrollera om skador har uppstått.
 - Rengör luftfiltret. Rengör det flera gånger per dag när du arbetar under extremt dammiga förhållanden.
 - Kontrollera skärbladen så att det inte uppstått skada och se till att de är ordentligt fastsatta.

FÖRVARING



- När maskinen förvaras under en längre tid ska bränsletanken och förgasaren tömmas, enligt följande: töm ut allt bränsle ur bränsletanken.
- Ta bort tändstiftet och droppa några droppar motorolja i tändstiftshålet. Dra sedan försiktigt i startsnöret för att konstatera att oljefilm täcker insidan av motorn och dra sedan åt tändstiftet.
- Ta bort smuts och damm från skärbladen och på utsidan av motorn. Torka av dem med en trasa doppad i olja och förvara maskinen på en så torr plats som möjligt.

UNDERHÅLLSSHEMA

Efter varje tankning	Gasreglage I-O strömbrytare	Kontrollera funktionen Kontrollera funktionen
Före varje användning	Motorkonstruktion skruvar och muttrar Lufffilter Luftkylningsledning Skärverktyg Tomgångsvarvtal Bränsletank	Gör en visuell kontroll för ev. skador och åtdragning Kontrollera allmänna förhållanden och säkerheten Rengör Rengör Kontrollera skärpan och om det finns skador Inspektion (skärverktyget får inte rör sig) Kontrollera och rengör
Var 50:e timme	Växellåda	Påfyllning av smörjolja
Varje vecka	Tändstift	Kontrollera och byt ut om det behövs
Årligen	Bränsleledning	Byt ut
Vartannat år	Tanklock	Byt ut
Före långtidsförvaring	Bränsletank Förgasare Filterkapsel	Töm och rengör Kör maskinen tills bränslet är slut Byt ut

FELSÖKNING

Fel	System	Iakttagelse	Orsak
Motorn startar inte eller med svårighet	Tändsystem	Gnista finns	Fel på bränsletillförsel eller kompressionssystem, mekaniskt fel
		Ingen tändgnista	I-O strömbrytaren aktiverad, fel på elledning eller kortslutning, fel på tändstift eller tändkabel, fel på tändsystemet
	Bränsletillförsel	Fyllt bränsletank	Felaktigt chokeläge, fel på förgasaren, filterkapseln (bensinledningsfilter) smutsig, böjd eller stopp i bränsleledning
	Kompression	Insidan av motorn	Fel på topplockspackning, fel på vevhuslager, cylinder eller kolvringar felaktiga
		Motorns utsida	Fel på tätning kring tändstift
Varmstartsvårigheter	Mekaniskt fel	Startmekanismen går inte i ingrepp	Trasig startfjäder, trasiga delar inuti motorn
		Tanken fylld och tändgnista finns	Smuts i förgasaren, rengör
Motorn startar men dör direkt	Bränsletillförsel	Tanken fylld	Felaktig tomgångsinställning, smuts i filterkapseln eller förgasaren
			Fel på bränsletankventilen, stopp i bränsleledningen, kabelfel eller fel på I-O strömbrytaren
Otillräcklig effekt	Flera system kan vara påverkade samtidigt	Tomgång	Smutsigt lufffilter, smuts i förgasaren, igensatt ljuddämpare, igensatt cylinderutlopp

Takk for at du valgte en hekktrimmer fra MAKITA. Vi er stolte over å kunne tilby deg denne hekktrimmeren fra MAKITA. Den er resultatet av et langvarig utviklingsarbeid og mange års erfaring.

I hekktrimmermodellene EH5000W, EH6000W og EH7500W er fordelene med moderne teknologi kombinert med ergonomisk design. Modellene veier lite, er kompakte, praktiske og svært anvendelige.

Sørg for å lese gjennom og følge alle instruksjonene i denne bruksanvisningen. Dette vil hjelpe deg med å bruke MAKITA-hekktrimmeren på en trygg måte og oppnå optimalt resultat.



Innholdsfortegnelse	Side
Symboler	31
Sikkerhetsanvisninger	32
Tekniske data.....	35
Delebetegnelse	36
Drivstoff og tanking.....	37
Forholdsregler før bruk	38
Starte hekktrimmeren	39
Stoppe hekktrimmeren	39
Bruke hekktrimmeren	40
Justere vinkelen på bakre håndtak.....	40
Vedlikeholdsinstruksjoner	41
Lagring.....	44
Vedlikeholdsplan.....	44
Feilsøk.....	44

SYMBOLER

Det er veldig viktig at du forstår de følgende symbolene når du leser denne bruksanvisningen.

	ADVARSEL/FARE		Drivstoff- og oljeblanding
	Les, forstå og følg Bruksanvisning		Motor – manuell start
	Forbudt		Nødstop
	Røyking forbudt		Førstehjelp
	Bruk av åpen ild forbudt		Resirkulering
	Bruk vernehansker		
	Sørg for at ingen personer eller dyr oppholder seg i bruksområdet		PÅ/START
	Bruk vernebriller og hørselvern		AV/STOPP
			CE-merke

SIKKERHETSANVISNINGER

Generelle anvisninger

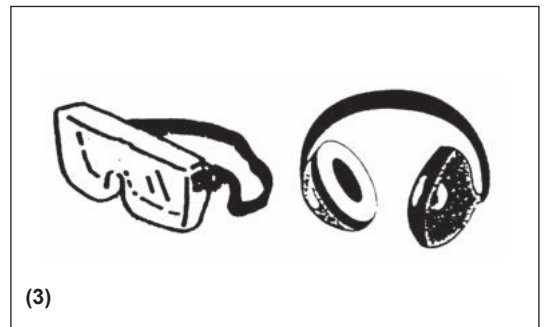
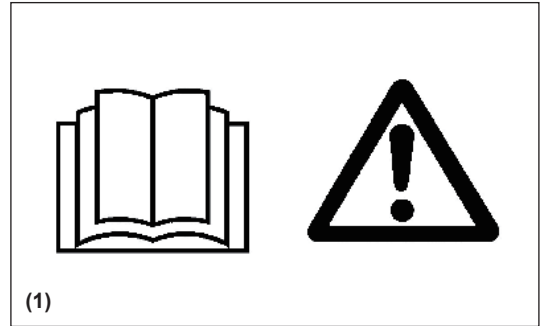
- DETTE VERKTØYET KAN FORÅRSAKE ALVORLIGE SKADER. Les nøye gjennom instruksjonene for å sikre at du håndterer, klargjør, vedlikeholder, starter og stanser verktøyet på riktig måte. Gjør deg kjent med kontrollene og sett deg inn i hvordan verktøyet fungerer. (1)
- Hekktrimmeren bør kun lånes bort til personer som har erfaring med å bruke denne typen verktøy. Husk å legge ved bruksanvisningen hvis du låner bort hekktrimmeren.
- Førstegangsbrukere bør spørre forhandleren om grunnleggende anvisninger slik at de får en forståelse av hvordan hekktrimmeren fungerer og brukes.
- Hekktrimmeren skal ikke brukes av barn og ungdommer under 18 år. Ungdom over 16 år er unntatt fra dette forbudet hvis de er i opplæring under tilsyn av en kyndig person.
- Vær forsiktig og oppmerksom når du bruker hekktrimmeren.
- Hekktrimmeren skal kun brukes av personer som er i god fysisk form. Utfør alt arbeid rolig og forsiktig. Brukeren er ansvarlig overfor andre personer.
- Ikke bruk hekktrimmeren hvis du har drukket alkohol eller er under påvirkning av legemidler, narkotiske stoffer e.l., eller hvis du føler deg trett eller uvel. (2)

Riktig bruk av maskinen

- Hekktrimmeren er kun beregnet for beskjæring av busker og hekker, og skal ikke brukes for andre formål. Følg alltid anvisningene for korrekt bruk.

Personlig verneutstyr

- Bruk funksjonelle og passende klær. De bør være tettsittende, men ikke gjøre det vanskelig å bevege seg. Ikke bruk smykker eller annet som kan hekte seg i greiner eller verktøyet mens du arbeider.
- Bruk følgende verneutstyr for å skade på syn, hørsel, hender eller føtter mens du bruker hekktrimmeren:
- Ha alltid på deg vernebriller eller et visir for å hindre skader på øynene når du bruker hekktrimmeren. (3)
- Bruk et egnet personlig hørselsvern (øreklodder, ørepropper, osv.) for å unngå hørselskader. (3)
- Vi anbefaler på det sterkeste at du bruker kjeledress. (4)
- Ha alltid på deg spesialhansker av tykt skinn når du bruker hekktrimmeren. (4)
- Ha alltid på deg robust, sklisikkert fottøy når du bruker hekktrimmeren. Dette beskytter mot skader og sørger for godt fotfeste. (4)



Starte hekktrimmeren

- Forviss deg om at ingen barn eller andre personer oppholder seg innenfor en arbeidsradius på 15 meter (5), og vær også oppmerksom på eventuelle dyr i nærheten.
- Før hver bruk må du kontrollere at hekktrimmeren er i driftssikker stand.
- Kontroller at gasshendelen er trygg å bruke. Gasshendelen skal kunne beveges jevnt og lett. Kontroller at låsen på gasshendelen fungerer som den skal. Sjekk at håndtakene er rene og tørre, og at startbryteren (I-O) fungerer korrekt. Pass på at det ikke kommer olje og drivstoff på håndtakene.

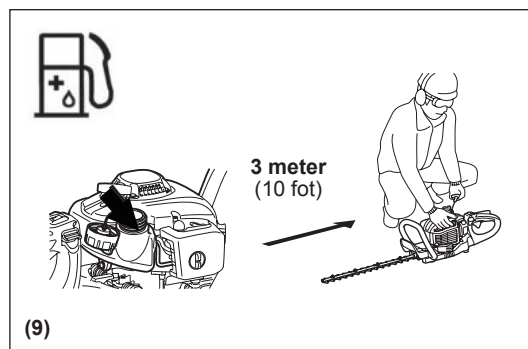
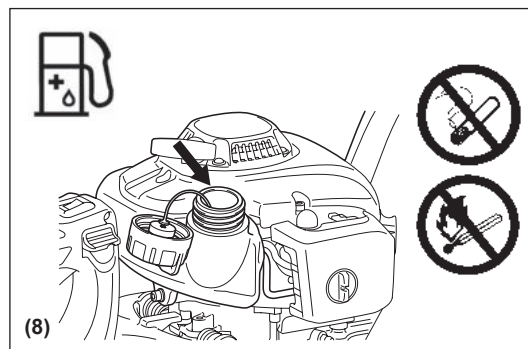
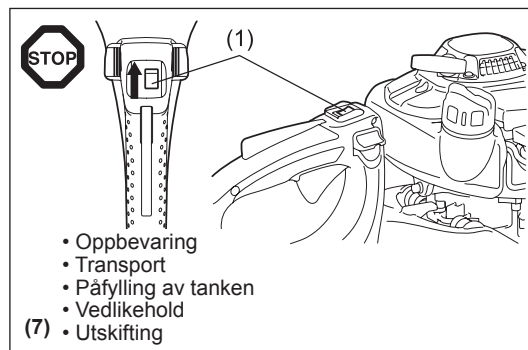
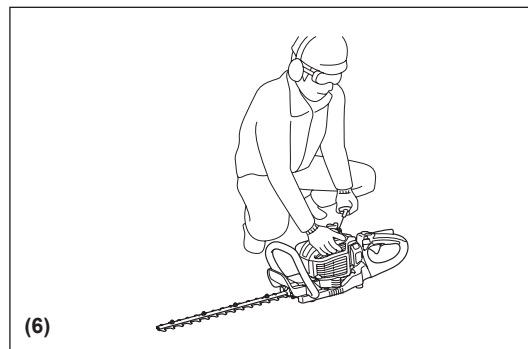
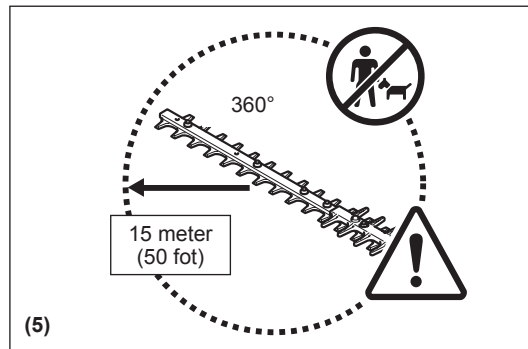
Følg alltid anvisningene når du starter hekktrimmeren.

Ikke start motoren (6) på andre måter!

- Ikke bruk hekktrimmeren for andre formål enn det som er angitt her.
- Ikke start hekktrimmeren før den er ferdig montert. Pass på at alt relevant tilbehør er montert før tar i bruk hekktrimmeren!
- Før du starter hekktrimmeren, må du sjekke at skjærebladet ikke kommer i kontakt med f.eks. tykke greiner eller steiner.
- Stans hekktrimmeren umiddelbart hvis du oppdager problemer med motoren.
- Hold én hånd på hvert håndtak under bruk, og grip om håndtakene med fingrene. Hold håndtakene tørre, rene og fri for olje og smørefett.
Sørg for at du alltid står støtt, med god balanse.
- Hektrimmeren skal kun brukes utendørs.
- Støyen fra verktøyet kan gjøre det vanskelig å høre andre ting som skjer rundt deg, og du må derfor være ekstra oppmerksom for å unngå at det oppstår farlige situasjoner.
- Hektrimmeren skal alltid brukes på en slik måte at du unngår å puste inn eksosen. Aldri bruk verktøyet i lukkede rom (fare for kvelning og gassforgiftning). Karbonmonoksid er en gass uten lukt. Sørg for alltid for tilstrekkelig ventilasjon.
- Slå av verktøyet mens du hviler, eller lar hekktrimmeren være uten tilsyn. Oppbevar hekktrimmeren på et trygt sted slik at den ikke kan forårsake personskader, antenne brennbare materialer, eller bli ødelagt.
- Hektrimmeren må aldri legges ned i tørt gress eller på brennbare materialer mens den er driftsvarm.
- For å redusere risikoen for brann er det viktig å sørge for at der ikke er rusk, løv eller overflødig smøremiddel på motoren eller lyddemperen.
- Ikke bruk hekktrimmeren hvis lyddemperen ikke fungerer som den skal.
- Motoren skal være avslått under transport (7).
- Stopp motoren før du:
 - Fjerner ting som har satt seg fast
 - Kontrollerer eller utfører vedlikeholdsarbeid på hekktrimmeren
- Hvis hekktrimmeren skal fraktes i en bil eller lastebil, må du sørge for at den står støtt og trygt slik at det ikke oppstår drivstofflekkasje.
- For å unngå drivstofflekkasje under transport må drivstofftanken i hekktrimmeren alltid tømmes helt.
- Skjærebladvernet skal alltid være på når hekktrimmeren transporteres eller ikke er i bruk.

Påfylling av tanken

- Slå av motoren før du fyller på drivstoff (7). Hold hekktrimmeren langt unna åpen ild (8), og ikke røyk.
- Ikke forsøk å fylle på drivstoff mens motoren kjører eller er varm.
- Unngå hudkontakt med petroleumsprodukter. Ikke pust inn drivstoffgassene. Bruk alltid vernehansker når du fyller på tanken. Skift og vask verneklærne med jevne mellomrom.
- Ta hensyn til miljøet og vær forsiktig så du ikke søler drivstoff eller olje. Tørk av hekktrimmeren med en gang hvis du har sølt drivstoff. Klutene du bruker for å fjerne drivstoffet, må tørkes i et godt ventilert område før de avhendes. Hvis dette ikke gjøres, kan det oppstå selvantennning.
- Unngå å få drivstoff på klærne. Skift klær omgående hvis du har fått drivstoff på dem (fare).
- Undersøk lokket på drivstofftanken med jevne mellomrom for å sjekke at det er godt lukket.
- Skru godt igjen tanklokket. Gå til et annet sted for å starte motoren (minst 3 meter unna stedet hvor du fylte tanken) (9).
- Fyll aldri tanken i lukkede rom. Drivstoffdamper samles på bakkenivå (eksplosjonsfare).
- Drivstoff skal alltid transporteres og oppbevares i godkjente beholdere. Pass på at drivstoffet oppbevares utilgjengelig for barn.
- Når du blander bensin med totakts-motorolje, er det viktig at du kun bruker bensin som ikke inneholder alkoholtypene etanol eller metanol. Dette vil bidra til å hindre skader på drivstoffledningene og andre motordeler.



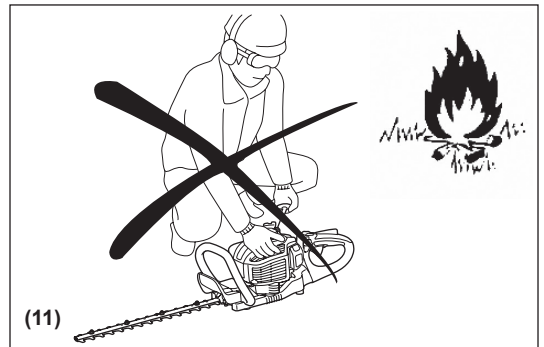
Bruksmåte

- Hold alltid én hånd på hvert håndtak når du bruker hekktrimmeren.
- Bruk hekktrimmeren kun når du har godt lys og god sikt. I den kalde årstiden må du være oppmerksom på glatte eller våte områder, is og snø (fare for å skli). Pass på at du har godt fotfeste.
- Ikke jobb på ustabile overflater eller i bratt terreng.
- Aldri bruk hekktrimmeren mens du står på en stige.
- Ikke klatre opp i trær for å kappe grener o.l. med hekktrimmeren.
- Ikke gå baklengs mens du bruker hekktrimmeren. Dette medfører en økt risiko for at du snubler og mister kontroll over verktøyet.
- Slå alltid av motoren før du rengjør, skifter deler eller utfører vedlikeholdsarbeid på hekktrimmeren.
- Ikke bruk hekktrimmeren hvis skjæreenheten er skadet eller svært slitt.



Vedlikeholdsinstruksjoner

- Ta hensyn til miljøet. Sørg for at hekktrimmeren forårsaker så lite støy og forurensning som mulig. Kontroller spesielt at forgasseren er korrekt justert.
- Rengjør hekktrimmeren med jevne mellomrom, og kontroller at alle skruer og muttere er trukket godt til.
- Ikke oppbevar eller utfør vedlikeholdsarbeid på hekktrimmeren i nærheten av åpen ild, gnister, el.l. (11).
- Tøm drivstofftanken før du setter bort hekktrimmeren.
- For å unngå brannfarlige situasjoner er det viktig at hekktrimmeren aldri oppbevares i nærheten av åpen ild.
- Hekktrimmeren oppbevares på et godt ventilert sted, utilgjengelig for barn.
- Ikke forsøk å reparere verktøyet selv, med mindre du er kvalifisert til dette.



Les gjennom og følg alle de relevante ulykkesforebyggende anbefalingene som er angitt i Arbeidsmiljøloven. Ikke forsøk å endre på hekktrimmeren, da dette kan sette din egen sikkerhet i fare.

Brukeren skal ikke utføre annet vedlikeholds- eller reparasjonsarbeid enn det som er beskrevet i denne bruksanvisningen. Alt annet arbeid skal utføres av autoriserte serviceteknikere.

Benytt bare ekte reservedeler og tilbehør fra MAKITA.

Bruk av ikke-godkjent tilbehør og verktøy medfører en økt risiko for ulykker og personskader. MAKITA har ikke erstatningsansvar for ulykker eller skader som skyldes bruk av ikke-godkjent tilbehør.

Førstehjelp

Sørg for å ha et velutstyrt førstehjelpssett (DIN 13164) lett tilgjengelig når du bruker hekktrimmeren, i tilfelle det skulle skje en ulykke.

Forbrukt materiale må straks etterfylles.

Hvis du trenger hjelp, må du oppgi følgende:

- Hvor ulykken skjedde
- Hva som skjedde
- Antall personer som har kommet til skade
- Skadeomfang
- Navnet ditt



Emballasje

Hekktrimmeren fra MAKITA leveres i en beskyttende pappeske for å unngå at den skades under transporten. Papp er en råvare og kan derfor brukes om igjen eller tilbakeføres til råvarekretsløpet som returpapir.



EF-SAMSVARERKLÆRING

Som ansvarlig produsent, erklærer vi, Makita Corporation, at følgende Makita-maskin(er):

Maskinbetegnelse: Bensindrevet hekktrimmer
 Modellnr./type: EH5000W, EH6000W, EH7500W
 Spesifikasjoner: se "TEKNISKE DATA"

er serieprodusert og

samsvarer med følgende EU-direktiv(er):

2000/14/EF, 2006/42/EF

Produksjonen er utført i henhold til følgende standarder eller standardiserte dokumenter:

EN ISO 10517

Den tekniske dokumentasjonen oppbevares hos vår autoriserte representant i Europa, som er:

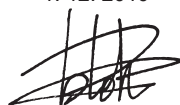
Makita International Europe Ltd.
 Michigan Drive, Tongwell, Milton Keynes, Bucks MK15 8JD, England

Samsvarsvurderingen som er påkrevd i henhold til direktiv 2000/14/EF, ble utført i hht. vedlegg V.

Målt lydeffektnivå: EH5000W 104,0 dB (A), EH6000W 104,2 dB (A), EH7500W 104,8 dB (A)

Garantert lydeffektnivå: alle modeller 106 dB (A)

1. 12. 2010

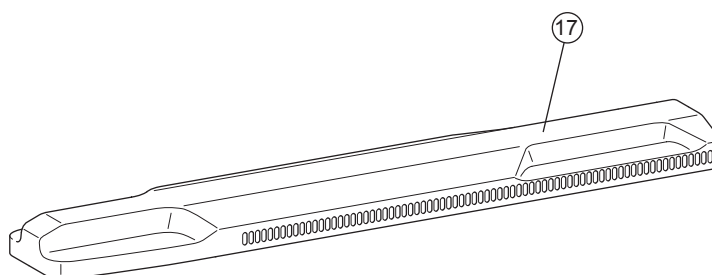
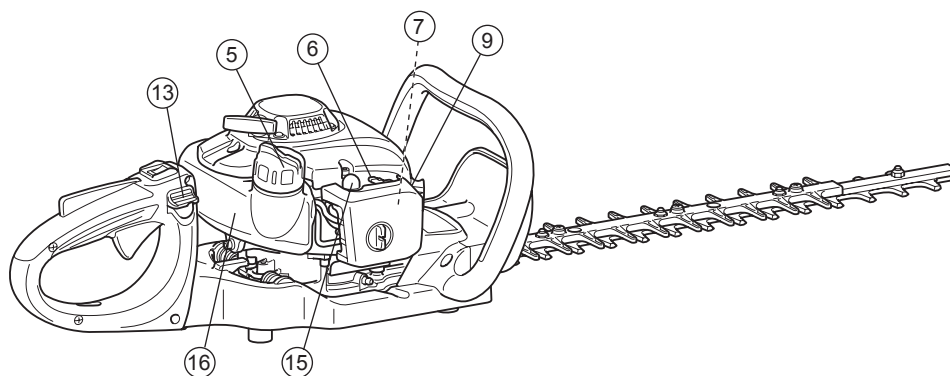
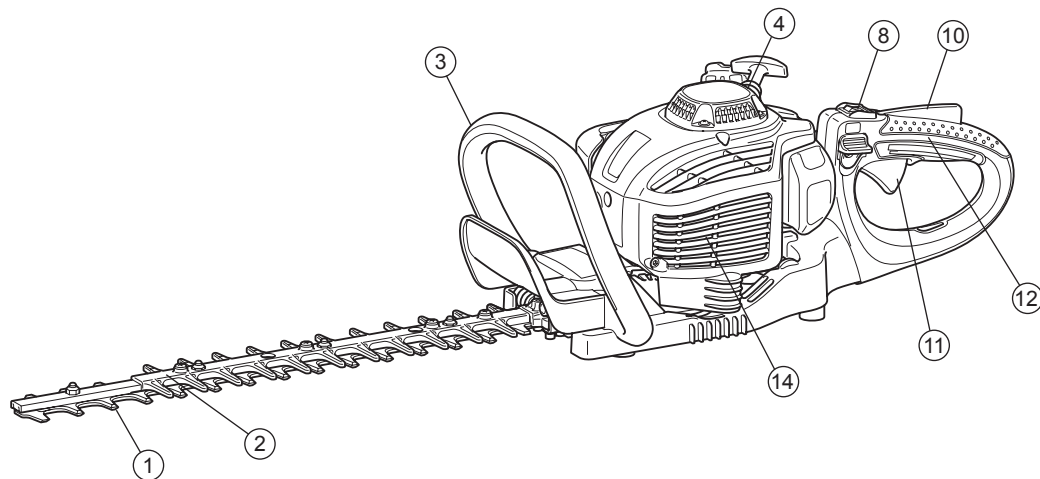


Tomoyasu Kato
 Direktør
 Makita Corporation
 3-11-8, Sumiyoshi-cho,
 Anjo, Aichi, 446-8502, JAPAN

TEKNISKE DATA

Modell			EH5000W	EH6000W	EH7500W	
Mål (L x B x H)	mm		1 014 x 262 x 216	1 119 x 262 x 216	1 259 x 262 x 216	
Vekt (ikke medregnet bladdeksel)	kg		4,8	5,0	5,2	
Volum (drivstofftank)	L		0,4			
Motorvolum	cm ³		22,2			
Bladlengde	mm		483	588	728	
Maksimal motoreffekt	kW		0,68			
Slag per minutt	min ⁻¹		4 270			
Tomgangsturtall	min ⁻¹		3 000			
Inngrepshastighet for clutch	min ⁻¹		4 000			
Forgassertype	type		WALBRO WYL			
Tenningsanlegg	type		Halvledertennning			
Tennplugg	type		NGK CMR6A			
Elektrodeavstand	mm		0,7 - 0,8			
Vibrasjon per EN ISO 10517	Høyre håndtak	$a_{hv\ eq}$	m/s ²	2,5	2,7	2,3
		Usikkerhet (K)	m/s ²	1,3	1,1	1,6
	Venstre håndtak	$a_{hv\ eq}$	m/s ²	2,5	2,8	2,3
		Usikkerhet (K)	m/s ²	1,3	1,1	1,2
Støy per EN ISO 10517	Lydtrykknivå		dB (A)	93,0	92,8	93,9
		Usikkerhet (K)	dB (A)	1,4	2,2	1,2
	Lydeffektnivå		dB (A)	103,0	103,2	103,8
		Usikkerhet (K)	dB (A)	2,1	1,5	1,3
Blandingsforhold (drivstoff: motorolje)	Totaktsmotorolje fra MAKITA		50 : 1			
	Totaktsmotorolje fra annen leverandør		25 : 1			
Girutveksling			9 : 43			

DELEBETEGNELSER



	DELEBETEGNELSER		DELEBETEGNELSER		DELEBETEGNELSER
1	Blad	7	Forgasser (ikke vist)	13	Utløserarm
2	Stump forlengelse	8	I-O-bryter (AV/PÅ)	14	Lyddemper
3	Fremre håndtak	9	Tennplugg	15	Startpumpe
4	Startsnor	10	AV-sperrehendel	16	Drivstofftank
5	Bensintanklokk	11	Gasshendel	17	Bladdeksel
6	Chokehendel	12	Bakre håndtak		

Drivstoff- og oljeblanding

- Hekktrimmeren har en høyeffektiv totakts-motor. Den kjører på en blanding av drivstoff og totakts-motorolje. Motoren er designet for vanlig blyfri bensin med minimum oktantall 91 RON. Hvis denne typen drivstoff ikke er tilgjengelig, kan du bruke drivstoff med høyere oktantall. Motoren blir ikke skadet, men hekktrimmeren kan fungere dårligere. Det samme gjelder hvis du bruker blyholdig bensin. For å unngå helse- og miljøskader og samtidig sikre at motoren fungerer optimalt er det viktig at du kun bruker blyfri bensin!
- Motoren smøres ved hjelp av en totakts-motorolje (kvalitetsnivå: TSC-3) som tilsettes i bensinen. For å beskytte miljøet skal det brukes totakts-motorolje fra MAKITA i et blandingsforhold på 50:1. Dette vil samtidig sikre langvarig og optimal driftsfunksjonalitet med minimale eksosutslipp. Det kan ikke garanteres at hekktrimmeren vil fungere korrekt hvis anvisningene om et blandingsforhold på 50:1 og bruk av totakts-motorolje fra MAKITA ikke etterfølges.
- Korrekt blandingsforhold:
Bensin: totakts-motorolje fra Makita = 50 : 1, eller
Bensin: totakts-motorolje fra en annen leverandør = 25 : 1 anbefales

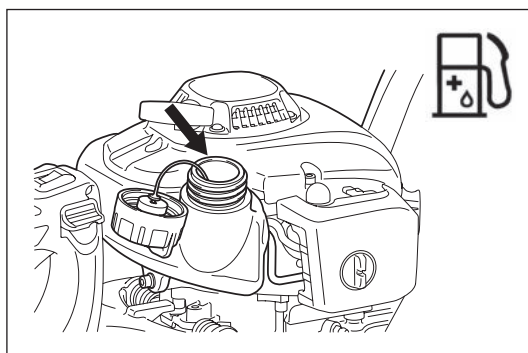
MERK: Når du skal lage blandingen av olje og drivstoff, starter du med å blande sammen halve oljemengden og halve drivstoffmengden i en godkjent dunk. Tilsett deretter den resterende drivstoffmengden. Rist blandingen godt før du fyller den over i tanken på hekktrimmeren. Ikke tilsett mer motorolje enn det som er angitt. For mye motorolje vil føre til en høyere produksjon av sotavleiringer som forurenser miljøet og tilstopper lyddemperen og eksoskanalen i sylinderen. I tillegg vil drivstofforbruket øke og ytelsen bli redusert.

Håndtering av petroleumsprodukter

Vær alltid svært forsiktig når du håndterer drivstoff. Drivstoff kan inneholde løsemiddelliknende stoffer. Fyll på tanken utendørs eller i et godt ventilert område. Unngå å puste inn drivstoffdampene eller få drivstoff/olje på huden. Gjentatt hudkontakt med denne typen substanser over lengre tid vil føre til uttørring av huden. Dette kan resultere i hudsykdommer. Allergiske reaksjoner kan også oppstå. Hvis du får olje, drivstoff, el. i øynene, kan det fremkalle irritasjon. Skyll øynene umiddelbart med rent vann. Oppsøk lege med en gang hvis irritasjonen ikke gir seg!



Følg sikkerhetsinstruksjonene på side 33.



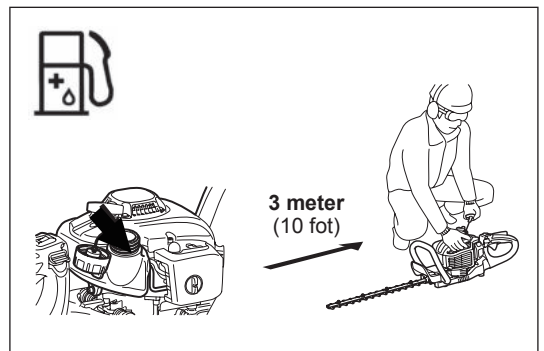
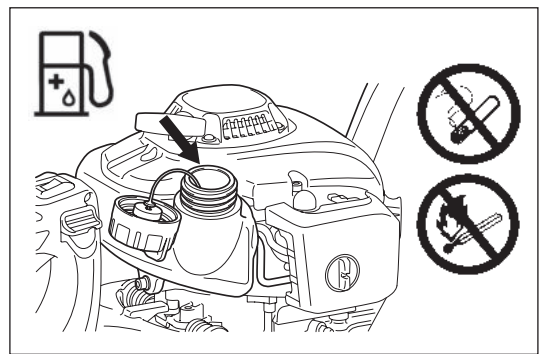
Bensin	+	Olje
	50:1	
	50:1	25:1
1 000 cm ³ (1 liter)		20 cm ³ 40 cm ³
5 000 cm ³ (5 liter)		100 cm ³ 200 cm ³
10 000 cm ³ (10 liter)		200 cm ³ 400 cm ³

Påfylling av tanken

- Motoren må være avslått.
- Slå av motoren før du fyller på drivstoff. Ikke fyll på drivstoff i nærheten av åpen ild, eller mens du røyker.
- Vær forsiktig så du ikke søler drivstoff eller olje, for å unngå å forurense jordsmonnet.
Tørk av hekktrimmeren med en gang hvis du har sølt drivstoff.
- Pass på at du ikke søler drivstoff på motoren. Tørk av ved søl av drivstoff.
- Unngå å få drivstoff på klærne. Hvis du har fått drivstoff på klærne, må du skifte klær omgående (for å hindre at klærne tar fyr).
- Undersøk lokket på drivstofftanken med jevne mellomrom for å sjekke at det er godt lukket og ikke lekker.
- Skru godt igjen tanklokket. Gå til et annet sted for å starte motoren (minst 3 meter unna stedet hvor du fylte tanken).
- Fyll aldri tanken i lukkede rom. Drivstoffdamper vil samle seg på bakkenivå (eksplosjonsfare).
- Drivstoff må transporteres og oppbevares utelukkende i godkjente beholdere. Pass på at drivstoff oppbevares utilgjengelig for barn.
- Rengjør området rundt tanklokket nøye for å hindre at det kommer skitt og rusk i drivstofftanken.
- Skru av pluggen og fyll på drivstoff. Bruk en trakt med gas i ene enden for å filtrere drivstoffet.
- Skru igjen pluggen for hånd.
- Rengjør rundt skrupluggen og tanken etter at du har fylt på drivstoff.
- Tørk alltid opp eventuelt drivstoffsøl for å unngå brann.

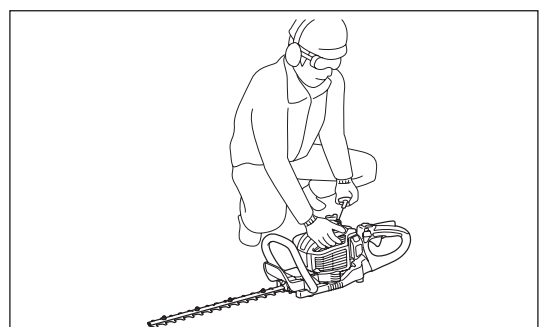
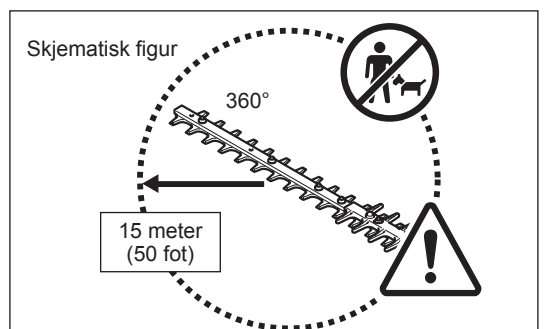
Oppbevaring av drivstoff

- Drivstoff kan ikke oppbevares ubegrenset lenge.
- Kjøp kun den mengden du trenger for 4 ukers drift.
- Bruk kun godkjente drivstoffbeholdere.



FORHOLDSREGLER FØR BRUK

- Forviss deg om at ingen barn eller andre personer oppholder seg innenfor en arbeidsradius på 15 meter. Vær også oppmerksom på eventuelle dyr i nærheten.
- Før hver bruk må du kontrollere at hekktrimmeren er i driftssikker stand. Kontroller at skjæreenheten er uskadet, at gasshendelen kan beveges lett, og at I-O-bryteren fungerer som den skal.
Pass på at skjærebladene ikke kjører mens motoren går på tomgang. Rådfør deg med forhandleren din om justeringer, hvis du er i tvil. Sjekk at håndtakene er rene og tørre, og at startbryteren (I-O) fungerer korrekt.
- Følg alltid anvisningene når du starter hekktrimmeren. Ikke start motoren på andre måter. (Se Starte)
- Ikke start opp motoren før hekktrimmeren er ferdig montert. Pass på at alt relevant tilbehør er montert før starter opp motoren. Der er ellers fare for skader.
- Før du starter hekktrimmeren, må du sjekke at skjærebladene ikke kommer i kontakt med f.eks. tykke greiner eller steiner.
- Før du starter, må du sjekke at området du skal bruke hekktrimmeren på er fritt for metalltråder, ledninger, glass eller andre fremmedlegemer som kan komme i kontakt med skjærebladet.
- Elektrisk støt. Vær oppmerksom på eventuelle elektriske ledninger og gjerder. Se etter om der er elektriske ledninger før du starter arbeidet.



STARTE HEKKTRIMMEREN

Gå minst 3 meter bort fra det stedet hvor du fylte på drivstoff. Plasser hekktrimmeren på et rent parti på bakken. Pass på at skjærebladene ikke kommer i kontakt med bakken eller andre objekter.

Kaldstart: (Når motoren er kald eller har vært avslått i lenger enn 5 minutter, eller når du har fylt på drivstoff.)

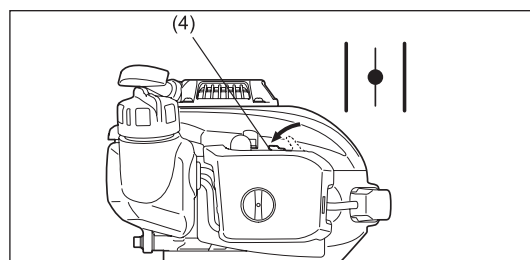
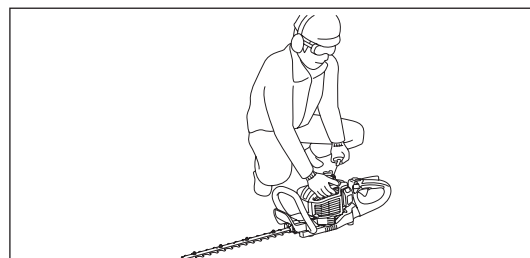
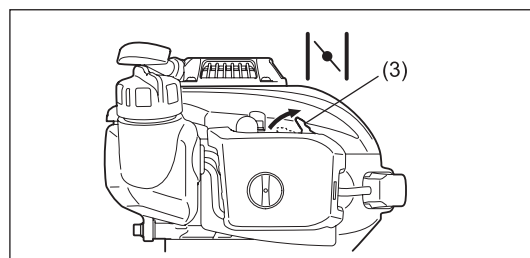
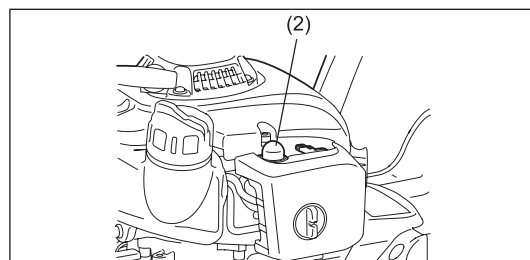
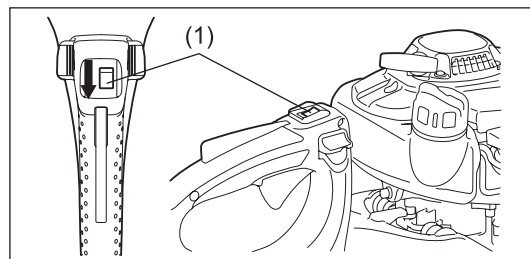
1. Sett I-O-bryteren (1) i posisjonen "I".
2. Pump startpumpen (2) forsiktig sju til ti ganger, inntil det kommer drivstoff i startpumpen.
3. Flytt chokehendelen (3) til posisjonen "I".
4. Hold nede hekktrimmeren med fast hånd for å unngå at du mister kontroll over den når motoren startes opp. Hvis dette ikke gjøres, kan det oppstå alvorlige personskader/skader på eiendom som følge av berøring med skjærebladet eller at hekktrimmeren faller i bakken.
5. Trekk ut starthåndtaket sakte 10 – 15 cm inntil du føler motstand.
6. For å starte motoren drar du hardt i starthåndtaket når du føler motstand.
7. Flytt chokehendelen (4) tilbake til "I" når motoren starter.
8. La motoren kjøre ved moderat hastighet i ca. 1 minutt før du øker til maks. hastighet.

Merk:

- Hvis du trekker flere ganger i starthåndtaket mens chokehendelen står i posisjonen "I", suges det inn for mye drivstoff og det er vanskelig å starte motoren.
- Hvis det er sugd inn for mye drivstoff, må du fjerne tennpluggen og trekke sakte i starthåndtaket for å fjerne overflødig drivstoff. Tørk også av elektrodedelen av tennpluggen.

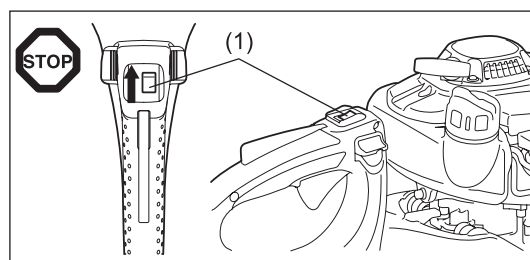
Varmstart: (Motoren startes opp på nytt umiddelbart etter den har blitt stoppet.) Når du starter en varm motor på nytt, bør du først prøve fremgangsmåten ovenfor: 1, 2, 4, 5, 6 med chokehendelen (4) på "I". Hvis motoren ikke starter, gjentar du trinnene 1 – 8.

Merk: Ikke trekk ut startsnoren til full lengde. Slipp sakte opp starthåndtaket. Bevegelsen skal være kontrollert og rolig.



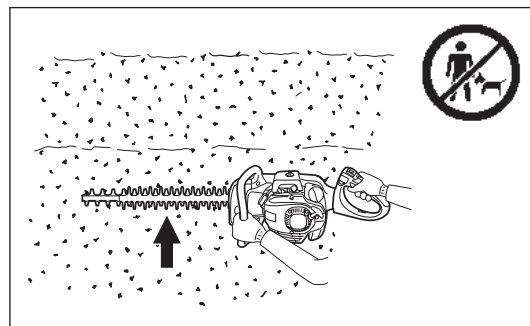
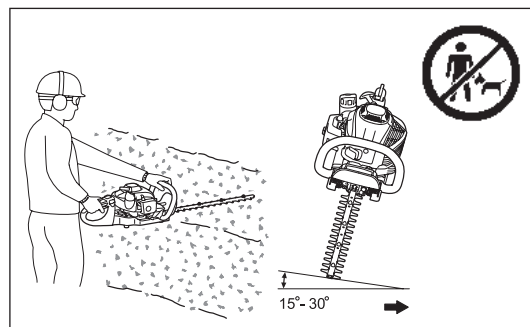
STOPPE HEKKTRIMMEREN

1. Slipp opp gasshendelen helt.
2. Sett I-O-bryteren (1) i posisjonen "O". Motorhastigheten avtar og motoren stopper til slutt helt.



BRUKE HEKKTRIMMEREN

- Aldri bruk hekktrimmeren med løst håndtak.
- Aldri ta på skjærebladene så lenge motoren kjører.
- Hekktrimmeren skal alltid brukes på en slik måte at du unngår å puste inn eksosen. Aldri bruk hekktrimmeren i lukkede rom (fare for gassforgiftning). Karbonmonoksid er en gass uten lukt.
- Alt verneutstyr som fulgte med, må være montert når hekktrimmeren er i bruk.
- Ikke bruk hekktrimmeren hvis lydempere er skadet eller mangler.
- Bruk hekktrimmeren kun når du har godt lys og godt sikt.
- Om vinteren må du være oppmerksom på glatte eller våte områder, is og snø (sklifare). Pass på at du har godt fotfeste.
- Aldri bruk hekktrimmeren mens du står på en stige. Stå med begge beina på bakken.
- Ikke klatre opp i trær for å kappe grener o.l. med hekktrimmeren.
- Arbeid aldri på ustabile underlag.
- Fjern sand, steiner, spiker, ledninger, osv. fra arbeidsområdet. Fremmedlegemer kan skade skjærebladene.
- Kutt vekk grener på 8 mm eller mer med beskjeringsaks før du starter skjæreplassen.
- Ikke begynn å kutte noe før skjærebladene har nådd full driftshastighet.
- Ha godt tak med én hånd på hvert håndtak når du bruker hekktrimmeren.
- Tomlene og fingrene skal omslutte håndtakene.
- Når du slipper opp hendelen, tar det noen øyeblikk før skjærebladene stanser.
- Ikke bruk hekktrimmeren med høyt tomgangsturtall. Du kan ikke regulere skjærehastigheten ved hjelp av hendelen hvis tomgangsturtallet er for høyt.
- Når du skal kutte noe, holder du hekktrimmeren slik at bladene står i en 15 – 30° vinkel til skjærelinjen.
- Vær ekstra forsiktig når du beskjerer hekker som er plassert nær eller opp mot et ståltrådgjerde.
- Ikke la skjærebladene komme i kontakt med harde objekter som f.eks. ståltrådgjerder, steiner eller bakken. Dette kan føre til at bladene knekker eller slår sprekker.
- Hvis skjærebladene kommer i kontakt med steiner eller andre harde gjenstander, må du slå av motoren omgående og kontrollere bladene for skade. Skift ut eventuelle skadde blad før du fortsetter arbeidet.
- Ta pauser med jevne mellomrom. Makita anbefaler at 50 minutters arbeid etterfølges av en pause på 10 – 20 minutter.
- Slå av hekktrimmeren med en gang hvis det skulle oppstå problemer med motoren.
- Sørg for at hekktrimmeren forårsaker så lite støy og forurensning som mulig. Vær særlig nøye med å kontrollere forgasserinnstillingen og blandingsforholdet mellom drivstoff og olje.
- Aldri forsøk å fjerne fastkilt materiale mens bladene kjører. Sett ned hekktrimmeren, slå den av, og fjern det som har kilt seg fast.



JUSTERE VINKELN PÅ BAKRE HÅNDTAK

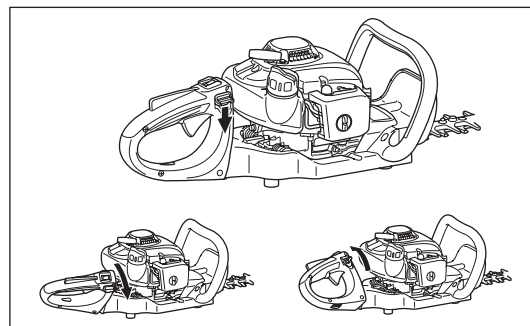
Det bakre håndtaket kan vris 90° til venstre eller høyre og stilles inn på 45° på hver side.

Slik endrer du vinkelen:

1. Trykk ned utløserarmen for å frigi låsen.
2. Vri håndtaket til 0°, 45° eller 90°.
3. Pass på at utløserarmen går tilbake til opprinnelig stilling slik at låsen aktiveres.

Ikke dra i gasshendelen mens låsen er frigitt.

Ikke friggi låsen mens hekktrimmeren er i bruk.



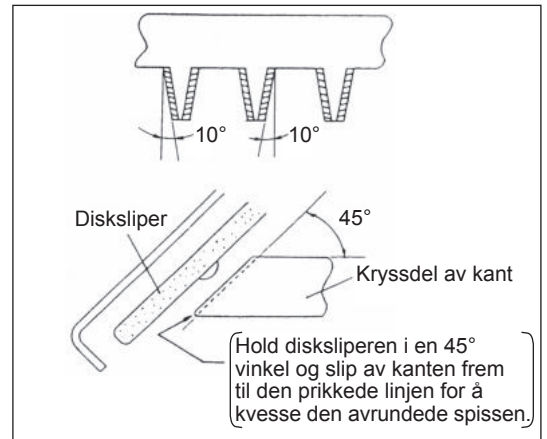
VEDLIKEHOLDSINSTRUKSJONER

- Slå av motoren og fjern tennpluggkontakten mens du rengjør/skifter ut/kvesser skjærebladene eller utfører annet vedlikeholdsarbeid.
- Ødelagte skjæreblad skal aldri rettes ut eller sveises.
- Undersøk skjærebladene for skader med jevne mellomrom.
- Sørg for at skjærebladene alltid er skarpe.
- Det er viktig at du med jevne mellomrom rengjør hekktrimmeren og sjekker at alle skruer og muttere er godt tilstrammet.
- Aldri utfør vedlikeholdsarbeid på hekktrimmeren i nærheten av åpen ild (brannfare).
- Ha alltid på deg skinnhansker når du håndterer eller kvesser bladene.

Kvesse bladet

Hvis kantene er avrundet og ikke skjærer godt lenger, sliper du av de partiene som er skravert på bildet. Ikke slip kontaktflatene (gliflatene) på øvre og nedre kant.

- Før du begynner å slippe, må du påse at bladet er godt sikret, at motoren er avslått og tennpluggshetten fjernet.
- Ha alltid på deg hansker, vernebriller, osv.
- Ikke fjern for mye materiale. Det mister da det harde overflatelaget, og bladene sløves raskt ved bruk.



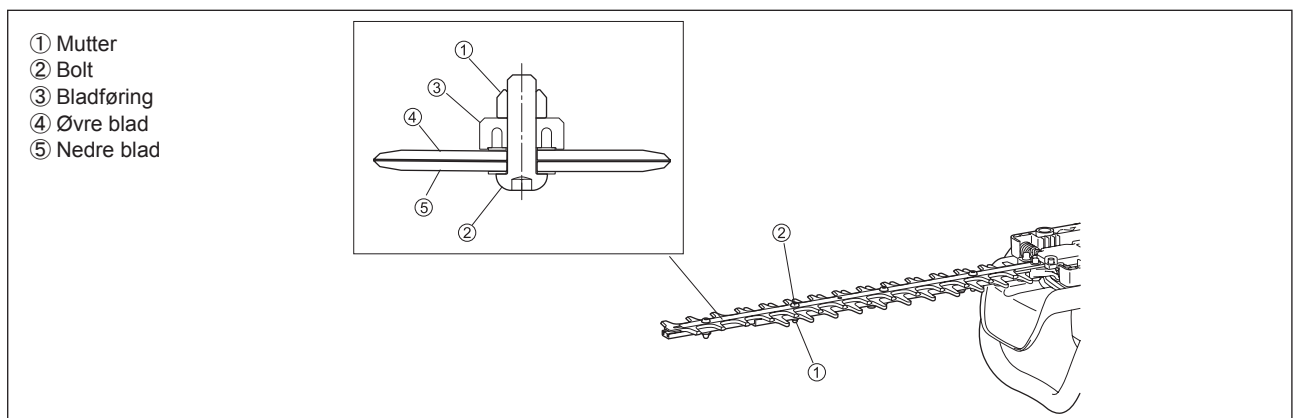
Justering av bladklaringen

De øvre/nedre bladene blir slitte. Hvis du ikke klarer å skjære rent gjennom selv om bladene er skarpe, følger du fremgangsmåten nedenfor for å justere bladklaringen.

1. Løsne skruene for å fjerne den stumpe forlengelsen.
2. Løsne mutteren (1) ved hjelp av en ringnøkkel eller dobbelthodet skrunøkkel.
3. Stram bolten (2) forsiktig med en sekskantnøkkel inntil den stopper. Skru den deretter en kvart omdreining tilbake.
4. Stram mutteren (1) mens du holder bolten (2).
5. Smør lett olje på friksjonsoverflaten til balden.
6. Start motoren og slå gassen av og på i et minutt.
7. Mål tiden det tar før bladene stopper etter du har sluppet hendelen. Hvis det tar mer enn to sekunder, stopper du motoren og gjentar trinnene 2–7.
8. Stans motoren og kjenn på bladoverflaten. Hvis bladene ikke er for varme til å ta på, er justeringen korrekt. Hvis de er for varme til å ta på, skrur du bolten (2) litt tilbake og gjentar trinnene 6–8.
9. Sett på igjen den stumpe forlengelsen og stram skruene.

MERK: Stans motoren og la bladene stoppe før du justerer.

Der er spor rundt skruene (2) på bladene. Hvis det har kommet støv i disse sporene, må de rengjøres.



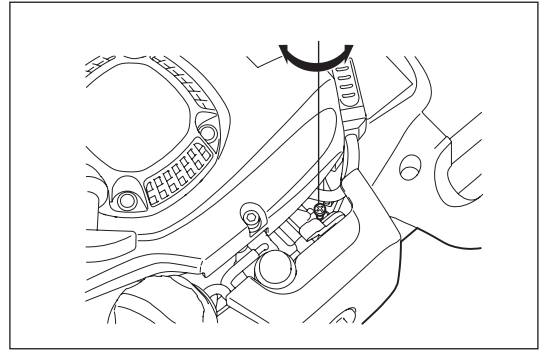
Kontrollere og justere tomgangsturtall

Skjærebladene skal ikke kjøre når motoren går på tomgang.

- Tomgangsturtallet skal være satt til 3 000 min⁻¹ (rpm).
- Om nødvendig kan du justere dette ved hjelp av tomgangsskruen (skjærebladene skal ikke kjøre når motoren går på tomgang).
 - Hvis skjærebladene kjører når motoren går på tomgang, skrur du tomgangsskruen mot klokken for å redusere tomgangshastigheten.
 - Hvis motoren stopper når den går på tomgang, skrur du tomgangsskruen med klokken for å øke tomgangshastigheten.

Hvis skjærebladene fortsetter å kjøre ved tomgang selv etter at du justert tomgangsskruen, kontakter du ditt nærmeste autoriserte serviceverksted.

- Clutchen skal gripe inn ved et omdreiningstall på 3 750 min⁻¹ (rpm) eller høyere.
- Kontroller at I-O-bryteren, AV-sperrehendelen og gasshendelen fungerer som de skal.



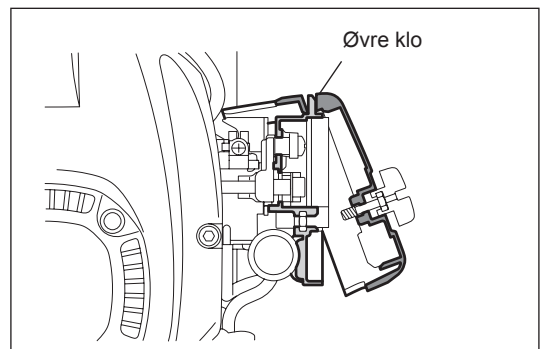
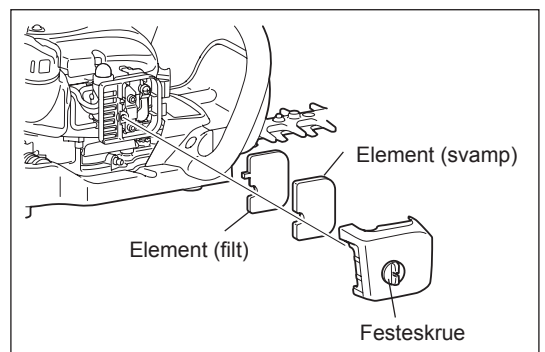
Rengjøre luftfilteret



FARE: Brennbare stoffer er strengt forbudt

Kontroller og rengjør luftfilteret daglig eller etter 10 driftstimer.

- Steng choken helt og hold forgasseren fri for støv og forurensninger.
- Løsne festeskruen.
- Trekk i baksiden av luftfilterdekselet og flytt det fremover for å ta det av.
- Klem elementet (svampen) godt hvis det er tilklistret med olje.
- Ved kraftig forurensning:
 - 1) Fjern elementet (svampen), legg det i varmt vann eller i et vannfortynnet, nøytralt rensmiddel, og tørk det helt.
 - 2) Rengjør elementet (filten) med bensin, og tørk det helt.
- Elementene må være helt tørre før du setter dem inn igjen. Hvis elementene ikke er tilstrekkelig tørre, kan det føre til startvanskeligheter.
- Bruk en klut for å tørke av olje som kleber til luftfilteret.
- Umiddelbart etter at rengjøringen er fullført, må du sette på luftfilterdekselet igjen, og feste det med festeskruene. (Start med å plassere den øvre kloen.)



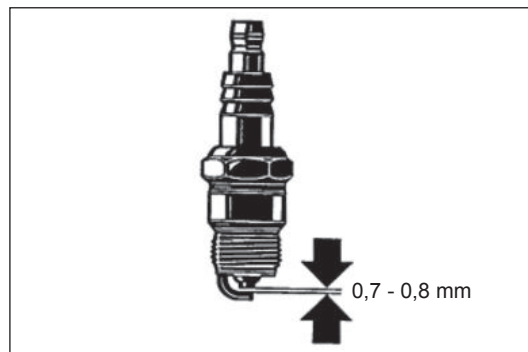
Håndtere luftfilterelementene

- Rengjør elementene flere ganger om dagen hvis de tettes av store mengder støv.
- Hvis du fortsetter å bruke hekktrimmeren uten at elementene er tilstrekkelig rengjorte for olje, kan det sive ut olje fra luftfilteret og motoroljen blir forurenset.

Kontrollere tennpluggen

Kontroller og rengjør tennpluggen daglig eller etter 8 driftstimer.

- Bruk kun den medleverte kombinøkkelen for å fjerne eller installere tennpluggen.
- Åpningen mellom de to elektrodene på tennpluggen skal være 0,7 til 0,8 mm. Juster åpningen hvis den er for vid eller smal. Hvis tennpluggen er skitten eller tilstoppet med karbon, må du rengjøre den grundig eller skifte den ut. Bytt kun ut med en nøyaktig tilsvarende tennplugg.



Påføre fett og smøremidler

- Bruk smørenippelen for å påføre fett etter 50 driftstimer. (Shell Alvania No. 3 eller tilsvarende.)

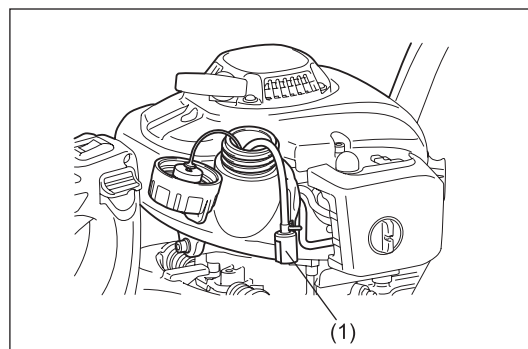
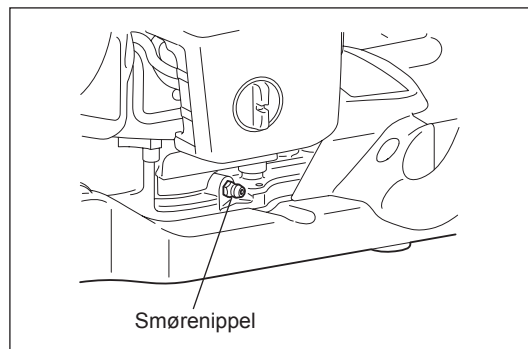
MERK: Påfør kun den angitte smurningsmengden, og med de tidsmessige mellomrommene som er anført. Utilstrekkelig smurning vil forårsake problemer med maskineriet.

Rengjøre bensinfilteret (sugesil i drivstofftanken)

ADVARSEL: Brennbare stoffer er strengt forbudt

Kontroller og rengjør drivstoffilteret én gang i måneden eller etter 50 driftstimer.

- Filt-filteret (1) i sugesilen brukes for å filtrere drivstoffet som forgasserer trenger.
- Foreta en visuell kontroll av felt-filteret med jevne mellomrom.
- Når du skal kontrollere felt-filteret, åpner du tanklokket og bruker en ståltrådkrok for å trekke ut sugesilen gjennom tankåpningen. Skift ut filt-filteret hvis det er hardt, skittent eller tilstoppet.
- Filteret må skiftes ut minst én gang i kvartalet for å sikre at forgasserer får tilstrekkelig drivstofforsyning. Utilstrekkelig drivstofforsyning vil føre til startproblemer og begrenset maks.hastighet.



Skifte ut drivstoffledningen

FORSIKTIG: Brennbare stoffer er strengt forbudt

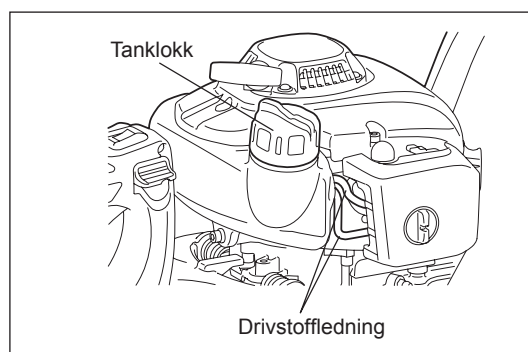
Kontroller og rengjør drivstoffledningen daglig eller etter 10 driftstimer.

Skift ut drivstoffledningen etter 200 driftstimer eller én gang i året, uansett brukshyppighet. Bensinlekkasje kan ellers føre til brann.

Hvis du oppdager en lekkasje, må oljeslangen skiftes ut omgående.

Skifte tanklokket

- Hvis tanklokket er skadet, må du skifte det ut.
- Tanklokket blir med tiden utslitt. Skift det ut med to eller tre års mellomrom.



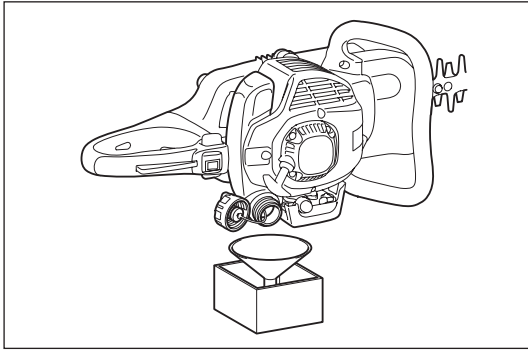
Kontakt ditt lokale Makita-autoriserte serviceverksted for informasjon om vedlikehold eller justeringer som ikke er beskrevet i denne bruksanvisningen.

Daglig kontroll og vedlikehold

For at utstyret skal vare lenge og ikke bli skadet, bør følgende servicetiltak utføres med jevne mellomrom.

- Før bruk
 - Kontroller at ingen skruer er løse og at ingen deler mangler. Kontroller særlig at skruene på skjærebladet er tilstrekkelig tilstrammet.
 - Kontroller at kjøleluftinnløpet og sylinderribbene ikke er tette. Rengjør dem om nødvendig.
 - Rengjør drivstofftanken og se etter lekkasjer eller fremmedobjekter.
- Etter bruk
 - Rengjør hekktrimmeren utvendig, og inspiser den med tanke på skader.
 - Rengjør luftfilteret. Når du arbeider under ekstremt støvete forhold, må du rengjøre filteret flere ganger om dagen.
 - Kontroller bladene for skader og påse at de er korrekt montert.

LAGRING



- Hvis hekktrimmeren ikke skal brukes på lengre tid, må tanken og forgasseren tømmes for drivstoff: Tøm drivstofftanken helt.
- Fjern tennpluggen og drypp noen dråper med olje gjennom tennplugghullet. Trekk deretter forsiktig i startsnoren for å bekrefte at innsiden av motoren dekkes av oljefilm. Stram deretter tennpluggen.
- Fjern skitt eller støv fra skjærebladet og utsiden av motoren, og tørk over med en oljet klut. Oppbevar hekktrimmeren på et mest mulig tørt sted.

VEDLIKEHOLDSPLAN

Etter hver drivstoffpåfylling	Gasshendel I-O-bryter	Kontrollere funksjonalitet Kontrollere funksjonalitet
Før bruk	Motordeler, skruer og muttere Luffilter Kanal for kjøleluft Skjæreverktøy Tomgangsturtall Drivstofftank	Utfør en visuell kontroll for å se om noe er skadet eller må etterstrammes Kontroller at alt i god og sikker stand Rengjøres Rengjøres Kontroller at bladene er uskadet og skarpe Inspeksjon (skjæreverktøyet skal ikke være i bevegelse) Kontroller og rengjør
Etter 50 driftstimer	Girhus	Påfør smurning
Ukentlig	Tennplugg	Kontroller og skift ut om nødvendig
Årlig	Drivstoffledning	Bytt
Annethvert år	Tanklokk	Bytt
Før langtidslagring	Drivstofftank Forgasser Sugesil	Tøm og rengjør Bruk inntil motoren går tom for drivstoff Byttes

FEILSØK

Feil	System	Tilstand	Årsak
Motoren starter ikke, eller har startvanskeligheter	Tenningsanlegg	Tenningsgnist	Feil på bensintilførselen eller kompresjonssystemet, mekanisk feil
		Ingen tenngnist	Aktivert I-O-bryter, ledningsfeil eller kortslutning, defekt tennplugg eller kontakt, tenningsmodulfeil
	Drivstofftilførsel	Bensintanken er full	Choke i feil posisjon, feil på forgasser, skitten sugesil (bensinledningsfilter), brutt eller bøyd bensintilførselsledning
	Kompresjon	Inne i motoren	Defekt sylinderbunnpakning, ødelagte veivakselpakninger, defekte sylindere eller stempelringer
		Utsiden av motoren	Tennpluggen er utilstrekkelig forseglet
Varmstartproblemer	Mekanisk feil	Startermotoren griper ikke	Ødelagt startfjær, ødelagte deler inne i motoren
		Tenningsgnist, full tank	Forurenset forgasser, få den rengjort
Motoren starter, men stopper igjen med en gang	Drivstofftilførsel	Full tank	Feil tomgangsjustering, sugesilen eller forgasseren er tilskitnet
			Defekt bensintankventilator, brutt bensintilførselsledning, feil på kabel eller I-O-bryter
Utilstrekkelig effekt	Flere systemer kan være berørt på én gang.	Motoren går på tomgang	Forurenset luffilter, forurenset forgasser, tett lydtemper, tett eksoskanal i sylinderen

Kiitos, että valitsit MAKITA-pensasleikkurin. Olemme tyytyväisiä saadessamme esitellä tämän MAKITA-pensasleikkurin, joka on pitkän kehitystyön sekä vuosien aikana kerättyjen tietojen ja kokemusten tulos.

Pensasleikkurimalleissa EH5000W, EH6000W ja EH7500W yhdistyy uusin tekniikka ja ergonominen muotoilu. Nämä kevyet, pienikokoiset ja helppokäyttöiset leikkurit sopivat monenlaisiin vaativiin tehtäviin.

Lue tämä käyttöohje ajatuksella ja noudata sen ohjeita. Käyttöohjeessa kerrotaan yksityiskohtaisesti puhaltimen huippuominaisuuksista. Näin saat parhaimman hyödyn MAKITA-puhaltimestasi turvallisesti.



Sisällysluettelo	Sivu
Symbolit.....	45
Turvallisuusohjeet.....	46
Tekniset tiedot.....	49
Osien sijainti	50
Polttoaine ja tankkaaminen	51
Varotoimet ennen käynnistystä.....	52
Laitteen käynnistäminen.....	53
Laitteen pysäyttäminen.....	53
Laitteen käyttäminen	54
Takakahvan kulman säätäminen	54
Kunnossapito.....	55
Säilytys	58
Huolto-ohjelma	58
Vianetsintä.....	58

SYMBOLIT

On erittäin tärkeää ymmärtää seuraavien kuvakkeiden merkitykset tätä käyttöohjetta luettaessa.

	VAROITUS/VAARA		Polttoaine-öljyseos
	Lue käyttöohje ajatuksella ja noudata sen ohjeita		Moottorin käsikäynnistys
	Kielto		Hätäpysäytys
	Tupakointi kielletty		Ensiapu
	Avotulen teko kielletty		Kierrätys
	Käytä suojakäsineitä		PÄÄLLE/KÄYNNISTYS
	Älä päästä työskentelyalueelle ihmisiä tai eläimiä		POIS PÄÄLTÄ/SEIS
	Käytä suojalaseja ja kuulosuojaimia		CE-merkintä

TURVALLISUUSOHJEET

Yleisiä ohjeita

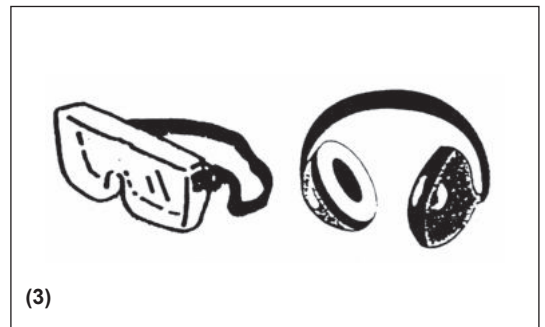
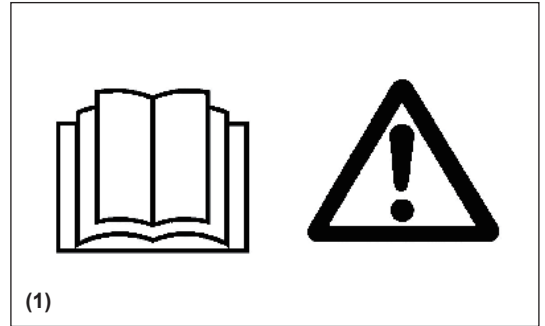
- TÄMÄ LAITE VOI AIHEUTTAA VAKAVIA VAMMOJA. Lue ohjeet huolellisesti ja tutustu laitteen oikeisiin käsittely-, valmistelu-, käynnistys- ja sammuttamistapoihin. Perehdy laitteen säätimiin ja asianmukaiseen käyttöön. (1)
- Pensasleikkurin saa luovuttaa ainoastaan sellaisten henkilöiden käyttöön, joiden tiedetään osaavan käsitellä pensasleikkuria. Anna laitteen lainaajalle aina myös käyttöohje mukaan.
- Ensikertalaisten kannattaa pyytää laitteen myyjältä perehdytystä moottorikäyttöisen pensasleikkurin käyttöön.
- Lapset ja alle 18-vuotivat henkilöt eivät saa käyttää pensasleikkuria. 16 vuotta täyttäneet henkilöt voivat kuitenkin harjoitella laitteen käyttöä pätevän kouluttajan valvonnassa.
- Pensasleikkuria käytettäessä tulee olla äärimmäisen huolellinen ja varovainen.
- Käytä pensasleikkuria vain, jos olet hyvässä fyysisessä kunnossa. Työskentele rauhallisesti ja varovaisesti. Käyttäjän on otettava vastuu muista ihmisistä.
- Älä koskaan käytä pensasleikkuria alkoholin tai huumeainesten vaikutuksen alaisena, väsyneenä tai sairaana. (2)

Laitteen käyttötarkoitus

- Pensasleikkuri on tarkoitettu vain pensaiden ja pensasaitojen leikkaamiseen. Älä käytä sitä mihinkään muuhun tarkoitukseen. Käsittele pensasleikkuria oikein.

Henkilösuojaimet

- Käytettävän vaatetuksen tulee olla asianmukaista ja käytännöllistä. Vaatteiden tulee olla tyköistuvia, mutta ne eivät kuitenkaan saa haitata liikkumista. Älä käytä koruja tai väljiä vaatteita, jotka voivat tarttua pensasiin tai oksiiin.
- Pensasleikkuria käytettäessä on käytettävä seuraavia suojavälineitä sekä -vaatteita pää-, silmä-, käsi-, jalka- tai kuulovammojen vaaran takia.
- Laitteen käytön aikana silmät on aina suojattava suojalaseilla tai visiirillä. (3)
- Käytä kuuluvaurioiden välttämiseksi aina asianmukaisia melusuojaimia (kuulonsuojaimia (3) tai korvatulppia).
- On hyvin suositeltavaa käyttää työhaalareita. (4)
- Pensasleikkuria käyttäessä on aina käytettävä paksusta nahasta valmistettuja erikoiskäsineitä. (4)
- Käytä pensasleikkuria käyttäessäsi aina tukevia kenkiä, joissa on luistamaton pohja. Se suojaa loukkaantumiselta ja varmistaa tukevan jalansijan. (4)



Pensasleikkurin käynnistäminen

- Varmista, ettei työskentelyalueella ole lapsia tai muita ihmisiä 15 metrin säteellä (5). Huomioi myös työskentelyalueen lähetyillä olevat eläimet.
- Varmista aina ennen pensasleikkurin käyttöä, että käyttö on turvallista.
- Tarkista kaasuvivun toiminta. Tarkista, että kaasuvipu pääsee liikkumaan vapaasti ja vastukset. Tarkista, että kaasuvivun lukitus toimii oikein. Varmista, että kädensijat ovat puhtaat ja kuivat, ja tarkista sitten I-O-kytkimen toiminta. Pidä kädensijat puhtaina öljystä ja bensiinistä.

Käynnistä pensasleikkuri ainoastaan ohjeissa kuvatulla tavalla.

Älä koskaan käynnistä moottoria millään muulla tavalla (6)!

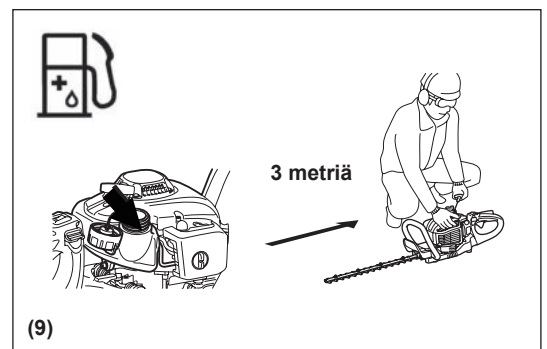
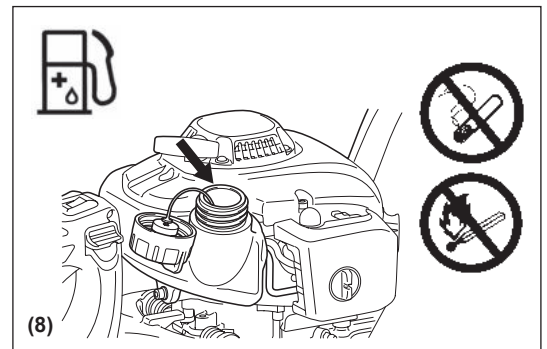
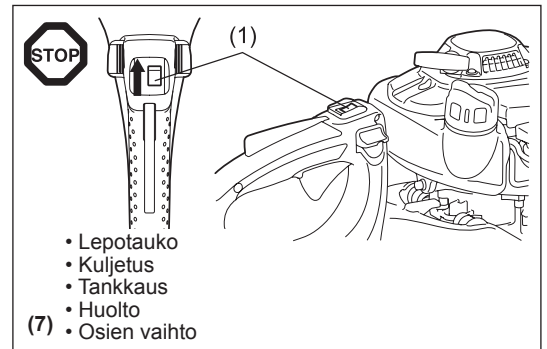
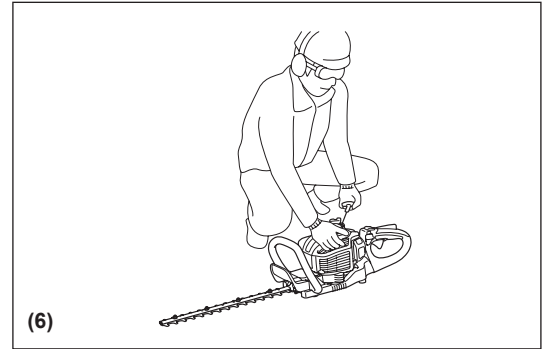
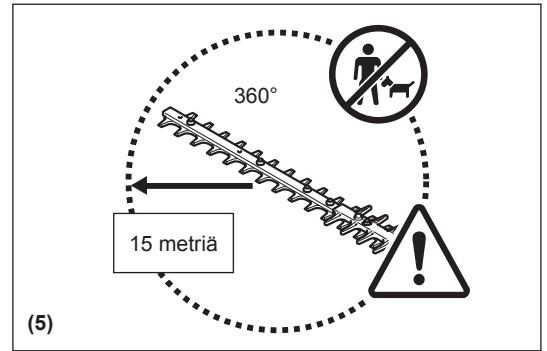
- Käytä pensasleikkuria vain ilmoitettuihin tarkoituksiin.
- Käynnistä pensasleikkuri vasta, kun laitteen kaikki osat on kiinnitetty. Laitetta saa käyttää vasta, kun kaikki siihen kuuluvat osat on kiinnitetty.
- Varmista ennen käynnistystä, että terä ei kosketa kovia esineitä, kuten oksia, kiviä jne.
- Sammuta moottori heti, jos siinä ilmenee ongelmia.
- Pidä tukevasti kiinni sekä etu- että takakädensijasta koko käden otteella. Pidä kädensijat kuivina ja puhtaina pihkasta, öljystä tai rasvasta.

Varmista tukeva jalansija.

- Käytä laitetta vain ulkona.
- Huomio aina työskentely-ympäristösi ja varo mahdollisia vaaratekijöitä, joita et ehkä voi kuulla laitteen käyntiäänien takia.
- Käytä pensasleikkuria siten, että et joudu hengittämään pakokaasuja. Älä koskaan käytä moottoria suljetussa tilassa (tukehtumis- ja kaasumyrkytysvaara). Häkä on hajuton kaasu. Huolehdi aina riittävästä ilmanvaihdesta.
- Sammuta moottori lepotaukojen ajaksi sekä silloin, kun jätät pensasleikkurin ilman valvontaa. Säilytä laitetta turvallisessa paikassa, jossa se ei voi vaarantaa sivullisia, sytyttää tulenarkoja aineita eikä vaurioitua.
- Älä koskaan laske kuumaa puhallinta kuivalle ruohikolle tai minkään syttyvän materiaalin päälle.
- Tulipaon vaaran takia moottori ja äänenvaimennin on aina pidettävä puhtaana puunsäöistä, lehdistä sekä öljy- ja rasvajäämistä.
- Älä koskaan käytä moottoria, jos pakoputken äänenvaimennin on rikki.
- Sammuta moottori kuljetuksen ajaksi (7).
- Sammuta moottori ennen seuraavia toimia:
 - tukoksen selvittäminen
 - laitteen tarkistaminen, huoltaminen tai korjaaminen.
- Aseta pensasleikkuri autokuljetuksen ajaksi sellaiseen asentoon, että siitä ei pääse vuotamaan polttoainetta.
- Kun kuljetat pensasleikkuria, varmista polttoainevuotojen estämiseksi, että polttoainesäiliö on täysin tyhjä.
- Aseta teräsuojus paikalleen laitteen kuljetuksen ja varastoinnin ajaksi.

Tankkaus

- Sammuta moottori tankkaamisen ajaksi (7), pysy kaukana avotulesta (8), äläkä tupakoi.
- Älä tankkaa kuumaa tai käynnissä olevaa moottoria.
- Vältä ihokosketusta öljytuotteisiin. Älä hengitä bensiinihöyryjä. Käytä tankkaamisen aikana suojakäsineitä. Vaihda ja puhdista suojavaatteet säännöllisin väliajoin.
- Vältä polttoainetta ja öljyn läikyttämistä, jotta maaperä ei saastu (huolehdi ympäristöstä). Puhdista pensasleikkuri heti, jos polttoainetta on päässyt läikkymään. Anna polttoainetta pyyhkimiseen käytettyjen liinojen kuivua hyvin tuuletetussa paikassa ennen niiden laittamista roskakoriin. Muuten ne saattavat syttyä palamaan itsestään.
- Varo läikyttämästä polttoainetta vaatteillesi. Vaihda vaatteet välittömästi, jos niille on läikkynyt polttoainetta (tulipalovaara).
- Varmista säännöllisesti, että polttoainesäiliön korkki pysyy kunnolla kiinni.
- Kierrä polttoainesäiliön korkki tiukasti kiinni. Siirry toiseen paikkaan käynnistämään moottori (vähintään 3 metrin päähän tankkauspisteestä) (9).
- Älä koskaan tankkaa suljetussa tilassa. Bensiinihöyryt tiivistyvät maanpinnan tasolle (räjähdysvaara).
- Kuljeta ja säilytä polttoainetta vain sille tarkoitetuissa astioissa. Säilytä polttoaine lasten ulottumattomissa.
- Sekoita kaksitahtimoottoriöljyä vain bensiiniin, joka ei sisällä etanolia tai metanolia (alkoholia). Se saattaa vaurioittaa polttoaineletkuja tai moottorin osia.



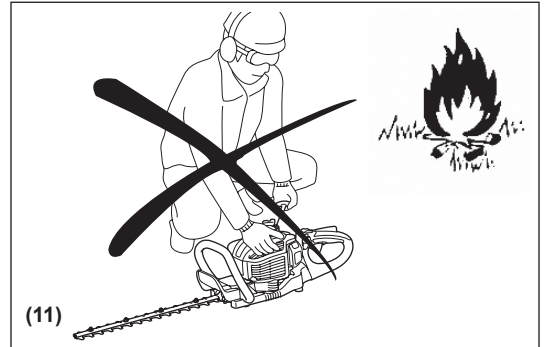
Käyttötavat

- Pidä laitteen käytön aikana kiinni kahvoista molemmin käsin.
- Käytä pensasleikkuria vain hyvissä valaistus- ja näkyvyysoloissa. Varo talviaikaan liukkaita tai märkiä alueita, jäätä ja lunta (liukastumisvaara). Varmista aina tukeva jalansija.
- Älä työskentele epävakailla alustoilla tai jyrkissä rinteissä.
- Älä koskaan seiso tikkailla pensasleikkuria käyttäessäsi.
- Älä koskaan kiipeä puuhun pensasleikkuria käyttäessäsi.
- Älä kävele takaperin laitetta käyttäessäsi, jotta et kaatuisi ja menettäisi laitteen hallintaa.
- Sammuta moottori aina ennen laitteen puhdistusta, huoltoa tai osien vaihtoa.
- Älä käytä laitetta, jos terä on vaurioitunut tai liian kulunut.



Huolto-ohjeet

- Huolehdi ympäristöstä. Käytä pensasleikkuria siten, että siitä lähtee mahdollisimman vähän meteliä ja saasteita. Tarkista erityisesti, että kaasutin on oikein säädetty.
- Puhdista pensasleikkuri säännöllisesti ja tarkista, että kaikki ruuvit ja mutterit ovat paikoillaan ja tiukasti kiinni.
- Älä koskaan huolla tai säilytä pensasleikkuria avotulen, kipinöiden tms. läheisyydessä (11).
- Tyhjennä polttoainesäiliö ennen pensasleikkurin varastointia.
- Älä säilytä pensasleikkuria avotulen lähellä tulipalovaaran takia.
- Säilytä pensasleikkuria hyvin tuuletetussa paikassa, joka on riittävän korkealla tai lukittu, jotta lapset eivät pääse siihen käsiksi.
- Älä yritä korjata laitetta, jos et ole siihen pätevä.



Noudata kaikkia ammattiliittojen ja vakuutusyhtiöiden onnettomuuksien välttämiseksi antamia ohjeita. Älä tee pensasleikkuriin mitään muutoksia, sillä se voi vaarantaa turvallisuutesi.

Käyttäjälle varatut huolto- ja korjaustyöt rajoittuvat tässä oppaassa kuvattuihin toimiin. Kaikki muut työt tulee jättää valtuutetun huoltoliikkeen tehtäväksi.

Käytä vain aitoja varaosia ja lisävarusteita, jotka on hankittu valtuutetulta MAKITA-jälleenmyyjältä tai -huoltoedustajalta.

Muiden osien ja tarvikkeiden käyttö lisää onnettomuus- ja loukkaantumisriskiä. MAKITA ei vastaa tapaturmista tai vammoista, jotka jotka johtuvat muiden kuin hyväksytyjen osien tai lisävarusteiden käytöstä.

Ensiapu

Pidä työskentelyalueen lähetyvillä hyvin varustettua DIN 13164 -normin mukaista ensiapulaukkua onnettomuuksien varalta.

Täydennä ensiapulaukkua sisältöä aina käytön mukaan.

Kun hälytät apua, ilmoita seuraavat tiedot:

- onnettomuuspaikka
- mitä on tapahtunut
- loukkaantuneiden henkilöiden lukumäärä
- vammojen laatu
- oma nimesi.



Pakkaus

MAKITA-puhallin toimitetaan pahvisessa suojapakkauksessa, jonka tarkoituksena on estää kuljetusvauriot. Pahvi on perusraaka-aine ja soveltuu siten uudelleenkäytettäväksi tai kierrätettäväksi (pahvinkeräykseen).



EY-VAATIMUSTENMUKAISUUSVAKUUTUS

Vastuullinen valmistaja Makita Corporation ilmoittaa vastaavansa siitä, että seuraava(t) Makitan valmistama(t) kone(et):

Koneen tunnistetiedot: Polttomootorikäyttöinen pensasleikkuri

Mallinro/tyyppi: EH5000W, EH6000W, EH7500W

Tekniset tiedot: katso "TEKNISET TIEDOT"

ovat sarjavalmisteisia ja

täyttävät seuraavien eurooppalaisten direktiivien vaatimukset:

2000/14/EY, 2006/42/EY

ja että ne on valmistettu seuraavien standardien tai standardoitujen asiakirjojen mukaisesti:

EN ISO 10517

Teknisen dokumentaation ylläpidosta vastaa valtuutettu Euroopan-edustajamme, jonka yhteystiedot ovat:

Makita International Europe Ltd.

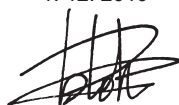
Michigan Drive, Tongwell, Milton Keynes, Bucks MK15 8JD, England

Direktiivissä 2000/14/EY edellytetty vaatimustenmukaisuusarviointi tehtiin liitteen V mukaisesti.

Mitattu äänitehotaso: EH5000W 104,0 dB (A), EH6000W 104,2 dB (A), EH7500W 104,8 dB (A)

Taattu äänitehotaso: kaikki mallit 106 dB (A)

1. 12. 2010



Tomoyasu Kato

Johtaja

Makita Corporation

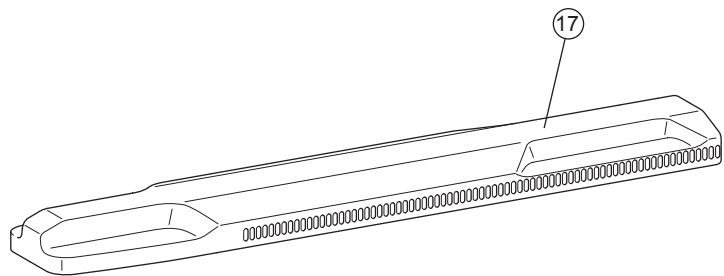
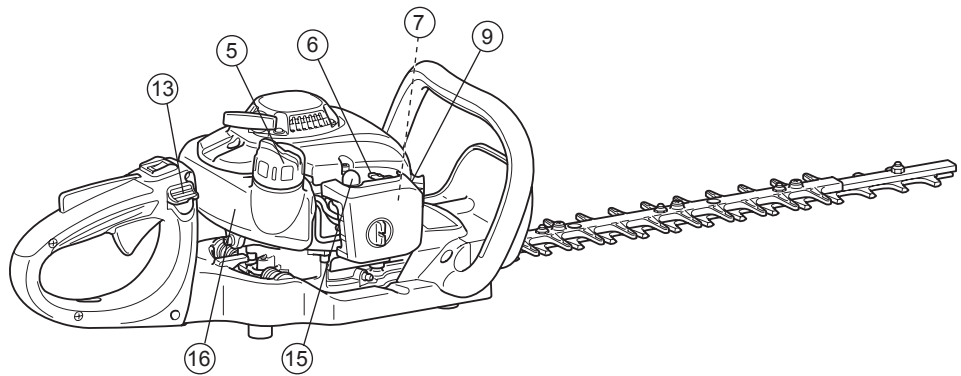
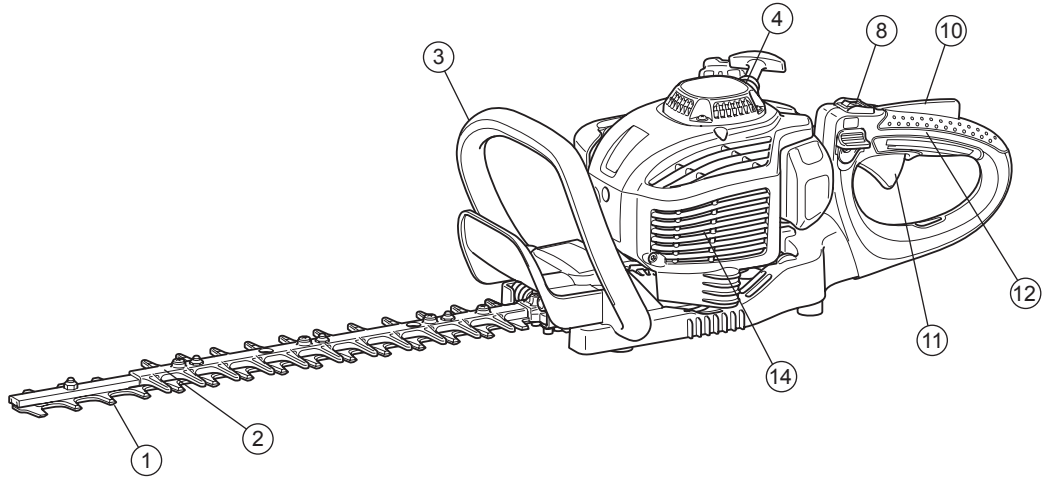
3-11-8, Sumiyoshi-cho,

Anjo, Aichi, 446-8502, JAPAN

TEKNISET TIEDOT

Malli			EH5000W	EH6000W	EH7500W	
Mitat (P x L x K)	mm		1 014 x 262 x 216	1 119 x 262 x 216	1 259 x 262 x 216	
Paino (ilman teränsuojusta)	kg		4,8	5,0	5,2	
Tilavuus (polttoainesäiliö)	l			0,4		
Moottorin tilavuus	cm ³			22,2		
Katkaisupituus	mm		483	588	728	
Moottorin enimmäisteho	kW			0,68		
Iskua minuutissa	min ⁻¹			4 270		
Joutokäyntinopeus	min ⁻¹			3 000		
Kytkimen kytketymiskierrosuku	min ⁻¹			4 000		
Kaasuttimen tyyppi	tyyppi			WALBRO WYL		
Sytytysjärjestelmä	tyyppi			Elektroninen sytytys		
Sytytystulppa	tyyppi			NGK CMR6A		
Tulpan kärkiväli	mm			0,7 - 0,8		
Tärinä EN ISO 10517 -standardin mukaan	Oikea kahva	$a_{hv\ eq}$	m/s ²	2,5	2,7	2,3
		Virhemarginaali K	m/s ²	1,3	1,1	1,6
	Vasen kahva	$a_{hv\ eq}$	m/s ²	2,5	2,8	2,3
		Virhemarginaali K	m/s ²	1,3	1,1	1,2
Melu EN ISO 10517 -standardin mukaan	Äänenpainetaso		dB (A)	93,0	92,8	93,9
		Virhemarginaali K	dB (A)	1,4	2,2	1,2
	Äänitehotaso		dB (A)	103,0	103,2	103,8
		Virhemarginaali K	dB (A)	2,1	1,5	1,3
Sekoitussuhde (polttoaine: moottoriöljy)	Aito MAKITA- kaksitahtimoottoriöljy			50 : 1		
	Muiden valmistajien kaksitahtimoottoriöljy			25 : 1		
Välityssuhde				9 : 43		

OSIEN SIJAINTI



	OSIEN SIJAINTI		OSIEN SIJAINTI		OSIEN SIJAINTI
1	Terä	7	Kaasutin (ei näkyvässä)	13	Vapautusvipu
2	Tylppä uloke	8	I-O-kytkin (päällä/pois päältä)	14	Äänenvaimennin
3	Etukahva	9	Sytytystulppa	15	Rikastinpumppu
4	Vetokäynnistin	10	Lukituksen vapautusvipu	16	Polttoainesäiliö
5	Polttoainesäiliön korkki	11	Kaasuvipu	17	Teränsuojus
6	Kuristinvipu	12	Takakahva		

POLTTOAINE JA TANKKAAMINEN

Polttoaine-öljyseos

- Tässä pensasleikkurissa on tehokas kaksitahtimoottori. Se toimii polttoaineen ja kaksitahtimoottoriöljyn seoksella. Moottorissa tulee käyttää lyijytöntä bensiiniä, jonka oktaaniluku on vähintään 91 ROZ. Jos tällaista polttoainetta ei ole saatavissa, sen sijaan voi käyttää myös korkeaktaanisempaa polttoainetta. Se ei vaurioita moottoria, mutta saattaa aiheuttaa toimintahäiriöitä. Vastaava vaikutus on lyijyllisen bensiinin käyttämisellä. Moottorin parhaan suorituskyvyn takaamiseksi sekä käyttöturvallisuuden ja ympäristönsuojelun takia tulee käyttää vain lyijytöntä polttoainetta!
- Moottorin voiteluun pitää käyttää kaksitahtimoottoriöljyä (laatuluokitus TSC-3), joka on lisättävä polttoaineen joukkoon. Ympäristön säästämiseksi moottorissa on suositeltavaa käyttää MAKITA-kaksitahtimoottoriöljyä sekoitussuhteessa 50:1. Se parantaa moottorin kestävyttä ja minimoi pakokaasupäästöt. On ensiarvoisen tärkeää varmistaa, että sekoitussuhde on 50:1 (MAKITA-kaksitahtimoottoriöljy). Muuten pensasleikkuri ei ehkä toimi luotettavasti.
- Oikea sekoitussuhde:
Bensiini: ilmoitettu kaksitahtimoottoriöljy = 50 : 1 tai
Bensiini: Muun valmistajan kaksitahtimoottoriöljy = 25 : 1
(suositus)

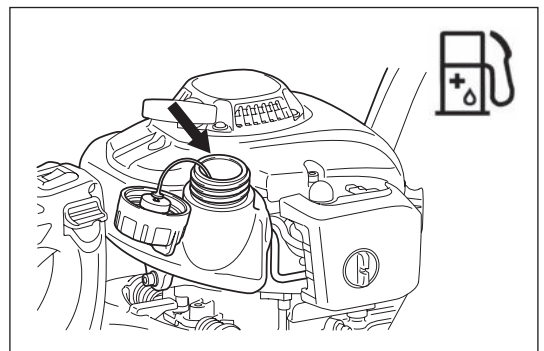
HUOMAUTUS: Kun sekoitat polttoainetta, sekoita ensin koko öljymäärä puoleen halutusta bensiinimäärästä määräysten mukaisessa säilytysastiassa. Lisää sitten loput bensiinistä. Ravistele polttoaineseos hyvin ennen sen lisäämistä pensasleikkurin polttoainesäiliöön. Älä lisää öljyä yli ilmoitetun määrän. Siitä on seurauksena pakokaasujen epäpuhtauksien lisääntyminen, mikä saastuttaa ympäristöä sekä karstoittaa moottorin pakokanavia ja äänenvaimenninta. Lisäksi polttoaineen kulutus lisääntyy ja moottorin teho pienenee.

Öljytuotteiden käsittely

Öljytuotteiden käsittelyssä tulee olla erittäin varovainen. Polttoaineessa voi olla liuottimien kaltaisia aineita. Tankkaa vain hyvällä ilmanvaih dolla varustetussa tilassa tai ulkona. Älä hengitä polttoainehuu ruja ja vältä polttoaineen tai öljyn ihokosketusta. Toistuva, pitkäkestoinen ihoaltistus näille aineille aiheuttaa ihon liiallista kuivumista. Siitä voi olla seurauksena erilaisia ihotauteja. Myös allergiset reaktiot ovat mahdollisia. Silmät voivat ärtyä joutuessaan kosketuksiin öljyn, polttoaineen tms. kanssa. Jos öljyä, polttoainetta tms. joutuu silmiin, huuhtelee silmät heti puhtaalla vedellä. Jos silmissä tuntuu yhä ärsytystä, ota välittömästi yhteys lääkäriin!



Tutustu sivulla 47 kerrottuihin turvallisuusohjeisiin.



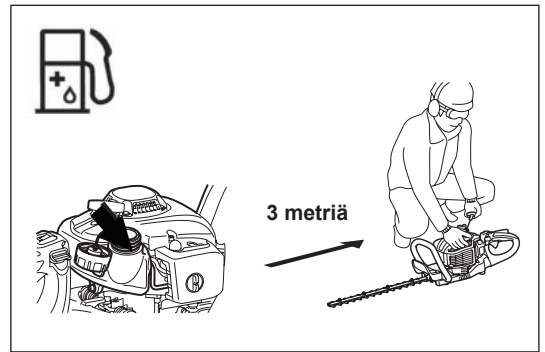
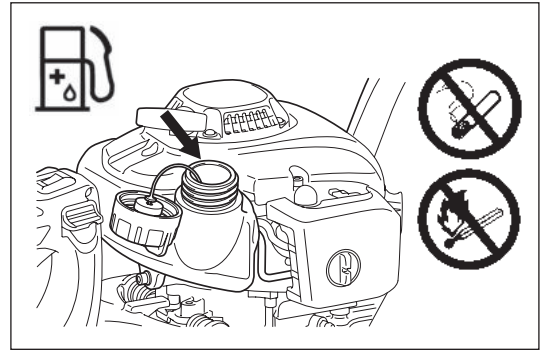
Bensiini	+	Öljy
	50:1	
		25:1
1 000 cm ³ (1 litra)		20 cm ³ 40 cm ³
5 000 cm ³ (5 litraa)		100 cm ³ 200 cm ³
10 000 cm ³ (10 litraa)		200 cm ³ 400 cm ³

Tankkaus

- Moottorin on oltava sammutettu.
- Sammuta moottori tankkaamisen ajaksi, pysy kaukana avotulesta äläkä tupakoi.
- Vältä polttoainetta ja öljyn läikyttämistä, jotta maaperä ei saastu. Puhdista pensasleikkuri heti, jos polttoainetta on päässyt läikymään.
- Älä läikytä polttoainetta moottorin päälle. Pyyhi läikynyt polttoaine pois.
- Varo läikyttämästä polttoainetta vaatteillesi. Vaihda vaatteet heti, jos niille on läikynyt polttoainetta (tulipalovaara).
- Tarkista säännöllisesti, että polttoainesäiliön korkin saa tiukasti kiinni ja ettei se vuoda.
- Kierrä polttoainesäiliön korkki tiukasti kiinni. Siirry toiseen paikkaan käynnistämään moottori (vähintään 3 metrin päähän tankkauspisteestä).
- Älä koskaan tankkaa suljetussa tilassa. Bensiinihöyryt tiivistyvät maan tasalle (räjähdysvaara).
- Kuljeta ja säilytä polttoainetta vain sille tarkoitetuissa astioissa. Huolehdi, että lapset eivät pääse käsiksi polttoaineeseen.
- Puhdista polttoainesäiliön korkin ympäristö huolellisesti, ettei polttoainesäiliöön pääse epäpuhtauksia.
- Avaa säiliön korkki ja täytä säiliö polttoaineella. Kaada polttoaine verkkosuodattimella varustetun suppilon läpi.
- Kierrä säiliön korkki tiukasti kiinni käsin.
- Puhdista korkin ja säiliön ympäristö huolellisesti täyttämisen jälkeen.
- Pyyhi kaikki läikynyt polttoaine huolellisesti pois tulipalovaaran takia.

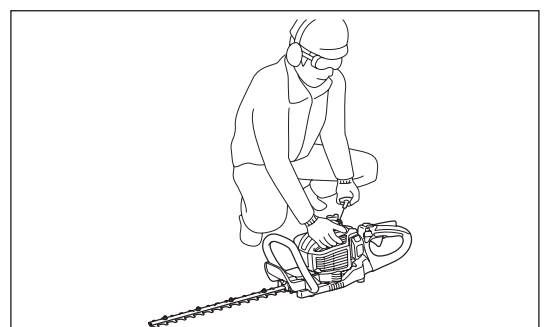
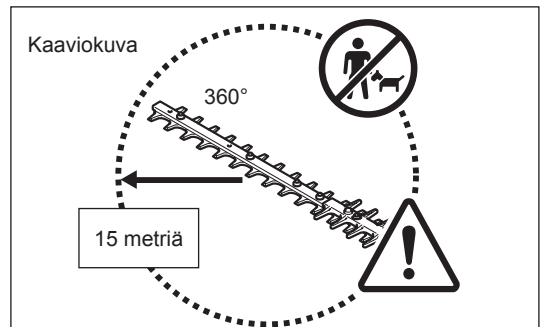
Polttoaineen säilyttäminen

- Polttoainetta ei saa säilyttää liian pitkään.
- Hanki kerralla vain noin neljän viikon käyttöä vastaava määrä.
- Säilytä polttoainetta vain siihen tarkoitukseen hyväksytyissä astioissa.



VAROTOIMET ENNEN KÄYNNISTYSTÄ

- Varmista, ettei työskentelyalueella ole 15 metrin säteellä lapsia tai muita henkilöitä. Huomioi myös eläimet.
- Varmista aina ennen pensasleikkurin käyttöä, että käyttö on turvallista. Tarkista, että terä on ehjä, säätövipu liikkuu esteettä ja I-O-kytkin toimii. Tarkista, etteivät terät liiku, kun moottori on joutokäynnillä. Tarkista säätö tarvittaessa jälleenmyyjältä. Varmista, että kädensijat ovat puhtaat ja kuivat, ja tarkista sitten I-O-kytkimen toiminta.
- Käynnistä pensasleikkuri ainoastaan ohjeissa kuvatulla tavalla. Älä koskaan käynnistä moottoria millään muulla tavalla. (Katso Käynnistäminen.)
- Käynnistä moottori vasta, kun laitteen kaikki osat on kiinnitetty. Moottorin saa käynnistää vasta, kun kaikki siihen kuuluvat osat on kiinnitetty paikalleen. Muuten seurauksena voi olla loukkaantuminen.
- Varmista ennen käynnistystä, että terät eivät kosketa kovia esineitä, kuten oksia, kiviä jne.
- Tarkista ennen leikkaamisen aloittamista, ettei leikattavalla alueella ole vajereita, lankoja, lasia tai muita vierasesineitä, jotka voivat osua terään.
- Sähköisku. Varo sähköjohtoja ja sähköistettyjä aitoja. Tarkista ennen leikkaamisen aloittamista, ettei alueella ole sähköjohtoja.



LAITTEEN KÄYNNISTÄMINEN

Siirry ainakin kolmen metrin päähän tankkauspaikasta. Aseta pensasleikkuri maahan puhtaaseen paikkaan. Varmista, etteivät terät osu maahan tai mihinkään esineeseen.

Käynnistäminen kylmänä: (Kun moottori on kylmä tai se on ollut sammutettuna yli viiden minuutin ajan tai kun laite on tankattu.)

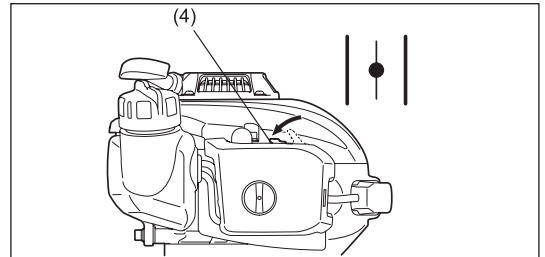
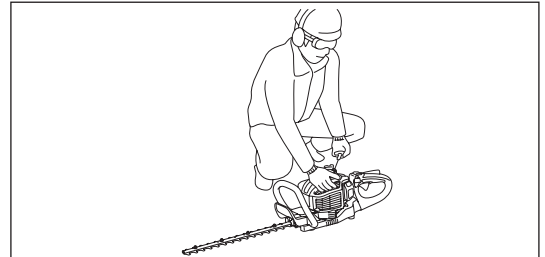
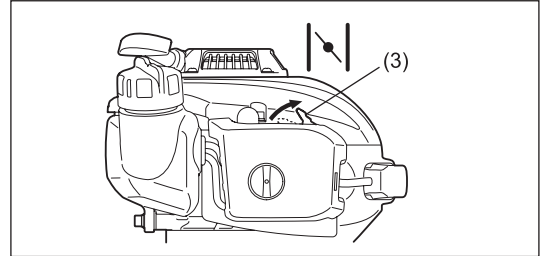
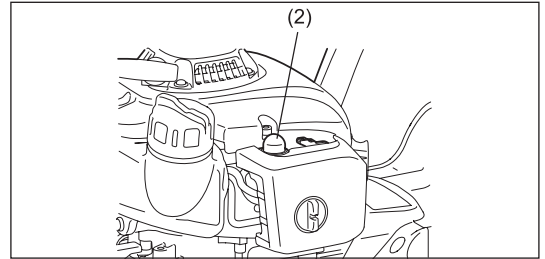
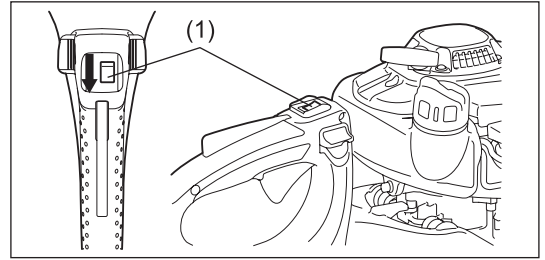
1. Aseta I-O-kytkin (1) asentoon "I".
2. Paina rikastinpumpua (2) toistuvasti (7 – 10 kertaa), kunnes pumppu täyttyy polttoaineesta.
3. Siirrä kuristinvipu (3) kohtaan "I".
4. Paina pensasleikkuri tiukasti maata vasten, jotta et menetä sen hallintaa, kun moottori käynnistyy. Jos laite riistäytyy hallinnasta, seurauksena voi olla vakavia omaisuus- tai henkilövahinkoja kaatumisen tai terään osumisen seurauksena.
5. Vedä käynnistinkahva varovasti noin 10 – 15 cm ulos, kunnes tunnet vastuksen.
6. Käynnistä moottori vetämällä käynnistinkahvasta voimakkaasti.
7. Kun moottori käynnistyy tai yskii ja sammuu, siirrä kuristinvipu (4) asentoon "O".
8. Anna moottorin käydä noin minuutin kohtuullisella nopeudella, ennen kuin alat käyttää moottoria täydellä teholla.

Huomautus:

- Jos käynnistinkahvasta vedetään toistuvasti kuristimen ollessa asennossa "I", moottoriin tulee liikaa polttoainetta eikä moottori käynnisty.
- Jos moottoriin on päässyt liikaa polttoainetta, irrota sytytystulppa ja poista ylimääräinen polttoaine vetämällä hitaasti käynnistinkahvasta. Kuivaa myös sytytystulpan elektrodit.

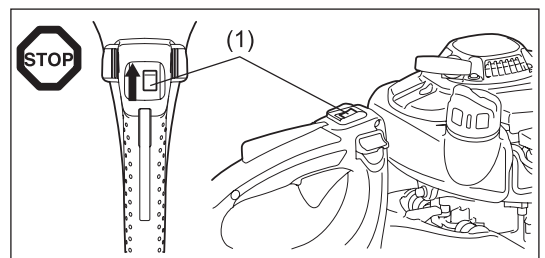
Käynnistäminen lämpimänä: (Käynnistäminen uudelleen heti sammuttamisen jälkeen.) Yritä käynnistää lämmin moottori suorittamalla edellä kerrotut vaiheet 1, 2, 4, 5, 6 kuristinvipu (4) asennossa "I". Jos moottori ei käynnisty, kokeile edellä kerrottuja vaiheita 1 – 8.

Huomautus: Älä vedä käynnistinvaijeria kokonaan ulos. Älä anna käynnistinkahvan palautua hallitsemattomasti. Varmista, että se palautuu hitaasti.



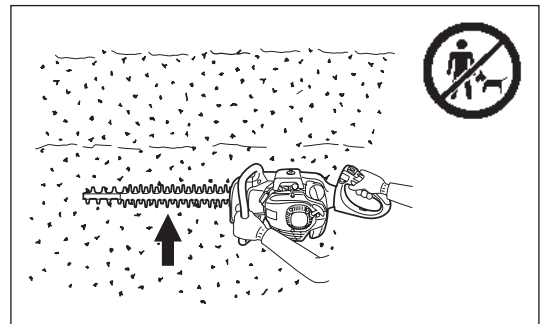
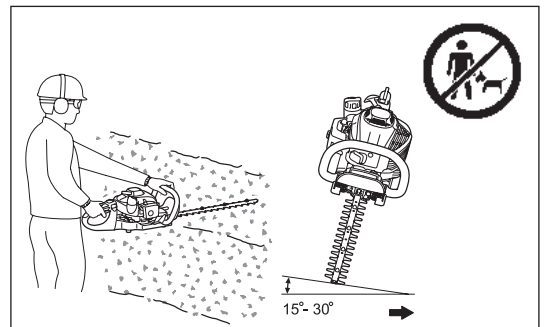
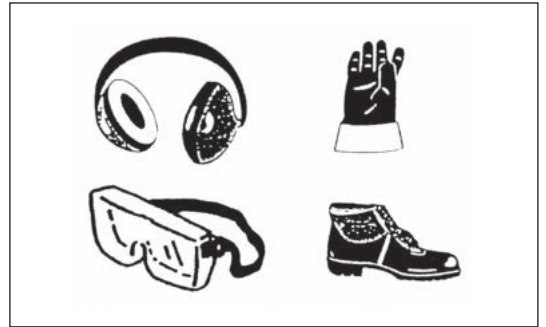
LAITTEEN PYSÄYTTÄMINEN

1. Vapauta kaasuvipu kokonaan.
2. Aseta I-O-kytkin (1) asentoon "O". Moottorin käynti hidastuu ja moottori sammuu.



LAITTEEN KÄYTTÄMINEN

- Älä koskaan käytä pensasleikkuria, jos kahva ei ole tiukasti kiinni.
- Älä koskaan kosketa terä käynnistyksen tai laitteen käytön aikana.
- Käytä pensasleikkuria siten, että et joudu hengittämään pakokaasuja. Älä koskaan käytä moottoria suljetussa tilassa (kaasumyrkytysvaara). Häikä on hajuton kaasu.
- Kaikkia laitteen mukana toimitettuja turvalaitteita ja suojuksia tulee käyttää käytön aikana.
- Älä koskaan käytä moottoria, jos pakoputken äänenvaimennin puuttuu on rikki.
- Käytä pensasleikkuria vain hyvissä valaistus- ja näkyvyysoloissa.
- Varo talviaikaan liukkaita tai märkiä alueita, jäätä ja lunta. (Liukastumisvaara.) Varmista aina tukeva jalansija.
- Älä koskaan seiso tikkailla pensasleikkuria käyttäessäsi. Pidä molemmat jalat maassa.
- Älä koskaan kipeä puuhun pensasleikkuria käyttäessäsi.
- Älä koskaan työskentele epävakaalla alustalla.
- Poista hiekka, kivet, naulat, langat jne. työskentelyalueelta. Vierasesineet voivat vaurioittaa terä.
- Katkaise yli 8 mm paksut tai sitä paksummat osat pensassaksilla ennen leikkaamisen aloittamista.
- Terien pitää pyöriä täydellä nopeudella ennen leikkaamisen aloittamista.
- Pidä pensasleikkurista aina kaksin käsin kiinni käyttäen kumpaakin kahvaa.
- Purista peukalot ja sormet tiukasti kahvojen ympärille.
- Kun vapautat kaasuvivun, terät eivät pysähdy heti.
- Älä käytä pensasleikkuria, jos sen joutokäyntinopeus on liian suuri. Jos joutokäynti on liian nopea, et voi säätää leikkausnopeutta kaasuvivulla.
- Pidä pensasleikkuria leikkaamisen aikana asennossa, jossa leikkurin ja leikkauslinjan välinen kulma on ja 15 – 30°.
- Ole erityisen varovainen, kun leikkaat verkkoaitojen lähellä tai sellaisia vasten olevia pensaita.
- Älä yritä leikata terillä kovia kohteita, kuten verkkoaitaa, kiviä tai maata. Terät voivat murtua, haljeta tai lohjeta.
- Jos terä osuu kiviin tai muihin koviin esineisiin, sammuta moottori heti ja tarkista, ettei terissä ole vaurioita. Vaihda vaurioituneet terät ennen käytön jatkamista.
- Pidä säännöllisin välein taukoja. Makita suosittelee pitämään aina 50 minuutin käytön jälkeen 10 – 20 minuutin tauon.
- Sammuta moottori heti, jos siihen tulee häiriö.
- Käytä pensasleikkuria siten, että siitä lähtee mahdollisimman vähän melua ja saasteita. Tarkista erityisesti kaasuttimen säädöt sekä polttoaine- ja öljymäärän suhde.
- Älä koskaan yritä irrottaa terään juuttunutta leikattavaa materiaalia terien liikkueissa. Laske laite maahan, sammuta moottori ja poista juuttunut materiaali.



TAKAKAHVAN KULMAN SÄÄTÄMINEN

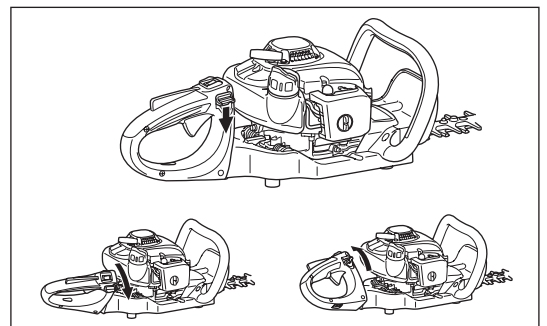
Takakahvaa voi kiertää 90° vasemmalle tai oikealle 45°:n välein.

Voit muuttaa kulmaa seuraavasti:

1. Vapauta lukitus painamalla vapautusvipua.
2. Kierrä kahva 0°:n, 45°:n tai 90°:n kulmaan.
3. Varmista, että vapautusvipu palautuu alkuasentoonsa ja lukitsee kahvan.

Älä paina kaasuvipua, kun kukitus on vapautettu.

Älä vapauta lukitusta käytön aikana.



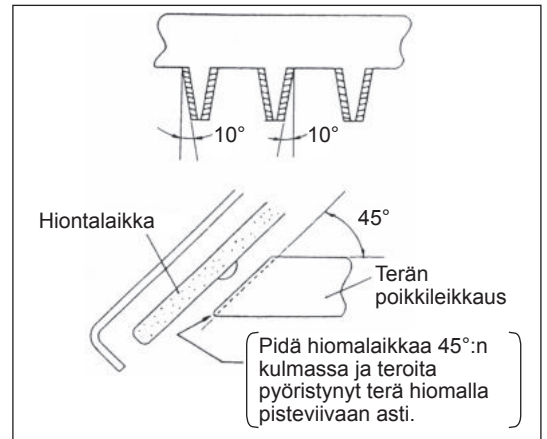
KUNNOSSAPITO

- Sammuta moottori ja irrota sytytystulpan johto, kun puhdistat, vaihdat tai teroitat teriä tai huollat leikkuria.
- Älä koskaan suorista tai hitsaa vioittuneita teriä.
- Tarkista terä säännöllisin väliajoin vaurioiden varalta moottorin ollessa sammutettuna.
- Pidä terät terävinä.
- Puhdista pensasleikkuri säännöllisesti ja tarkista, että kaikki ruuvit ja mutterit ovat tiukasti kiinni.
- Älä huolla pensasleikkuria avotulen lähellä tulipalovaaran takia.
- Käytä terien teroittamisen aikana nahkaisia suojakäsineitä, sillä terät ovat teräviä.

Terän teroittaminen

Jos terät ovat pyöristäneet eivätkä enää leikkaa hyvin, hio pois vain kuvassa varjostettuna näkyvä alue. Älä hio ylä- ja alareunan kontaktipintoja (liukupintoja).

- Ennen kuin aloitat teroittamisen, sammuta moottori, irrota sytytystulpan johto ja kiinnitä terä tukevasti.
- Käytä käsineitä, suojalaseja ja muita suojarusteita.
- Älä hio pois liikaa metallia. Se voi poistaa erän karkaistun osan, minkä jälkeen terät tylsyvät käytössä hyvin nopeasti.



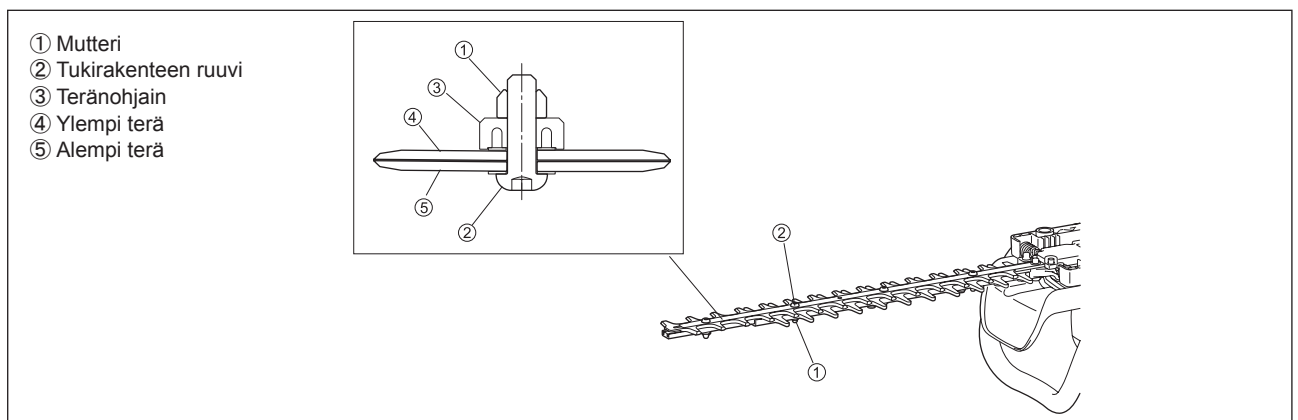
Terän vapaan välin säätö

Ylempi ja alempi terä kuluvat. Jos leikkaaminen ei onnistu siististi edes terien teroittamisen jälkeen, säädä terien väli seuraavasti.

1. Irrota tylppä uloke avaamalla ruuvit.
2. Irrota mutteri (1) hylsy- tai kiintoavaimella.
3. Kiristä tukirakenteen ruuvi (2) kuusioavaimella, kunnes ruuvi ei enää kierry, ja kierrä sitä neljänneskiertos takaisin.
4. Kiristä mutteri (1) pitäen tukirakenteen ruuvia (2) paikallaan.
5. Voitele terien liukupinnat ohuella öljyllä.
6. Käynnistä moottori ja käännä kaasuvipu minuutin ajan vuorotellen auki ja kiinni.
7. Mittaa aika, joka kuluu kaasun sulkemisesta terän pysähtymiseen. Jos aika on vähintään kaksi sekuntia, sammuta moottori ja toista vaiheet 2–7.
8. Sammuta moottori ja kosketa terän pintaa. Jos terät eivät ole niin kuumia, ettei niitä voi koskettaa, säätö on oikea. Jos terät ovat liian kuumia, kierrä tukirakenteen ruuvia (2) hieman auki ja toista vaiheet 6–8.
9. Kiinnitä tylppä uloke kiristämällä ruuvit.

HUOMAUTUS: Sammuta moottori ja anna terien pysähtyä, ennen kuin aloitat säätämisen.

Terissä on ura ruuvien (2) ympärillä. Jos jossakin näistä urista on pölyä, puhdista ura.



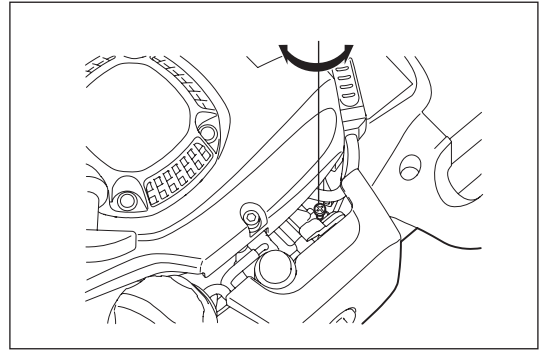
Joutokäyntinopeuden tarkistaminen ja säätäminen

Terien ei pidä liikkua, kun moottori on joutokäynnillä.

- Joutokäyntinopeuden pitää olla 3 000 min⁻¹.
- Säädä nopeus tarvittaessa joutokäynnin säätöruuvilla (terät eivät saa liikkua moottorin käydessä joutokäynnillä).
 - Terät liikkuvat joutokäynnillä: pienennä joutokäyntinopeutta kiertämällä ruuvia vastapäivään.
 - Moottori sammuu joutokäynnillä: suurena joutokäyntinopeutta kiertämällä ruuvia myötäpäivään.

Jos terät liikkuvat joutokäynnillä säätämisen jälkeenkin, ota yhteyttä lähimpään valtuutettuun huoltoedustajaan.

- Kytkimen pitäisi kytkeytyä kierrosnopeudella 3 750 min⁻¹ tai yli.
- Tarkista I-O-kytkimen, lukituksen vapautusvivun ja kaasuvivun toiminta.



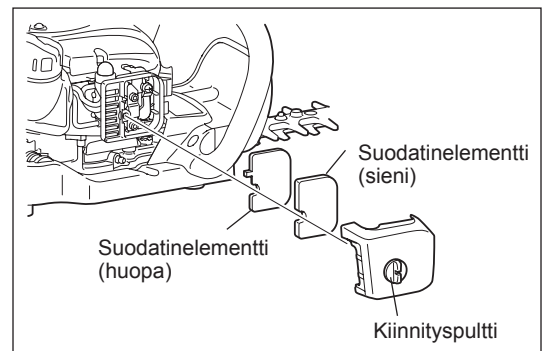
Ilmanpuhdistimen puhdistus



VAARA: Palavien aineiden käyttö ehdottomasti kielletty

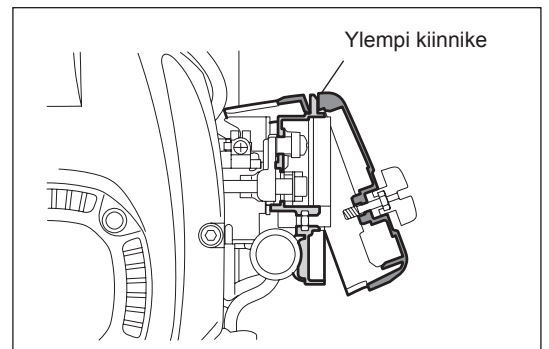
Tarkista ja puhdista ilmanpuhdistin päivittäin tai kymmenen tunnin käytön jälkeen.

- Sulje rikastin täysin ja suojaa kaasutin hiekalta ja pölyltä.
- Löysää kiinnityspultti.
- Vedä ilmanpuhdistimen suojuksen takareunasta ja irrota se työntämällä eteenpäin.
- Jos suodatinelementtiin (sieneen) pääsee öljyä, purista se puhtaaksi.
- Perusteellinen puhdistus:
 - 1) Irrota suodatinelementti (sieni), upota se lämpimään veteen tai mietoon pesuliuokseen ja anna sen sitten kuivua täysin kuivaksi.
 - 2) Puhdista suodatinelementti (huopa) bensiinillä ja anna sen sitten kuivua täysin kuivaksi.
- Varmista, että suodatinelementti on täysin kuiva, ennen kuin asetat sen takaisin paikoilleen. Jos suodatinelementti ei ole täysin kuiva, se voi vaikeuttaa käynnistämistä.
- Pyyhi ilmanpuhdistimen ympärille kertynyt öljy trasselilla.
- Kiinnitä puhdistimen suojus heti puhdistuksen jälkeen takaisin paikoilleen ja kiristä kiinnityspultit. (Kiinnitä ensin ylempi kiinnike.)



Ilmanpuhdistinelementtien käsittelyssä huomattavaa

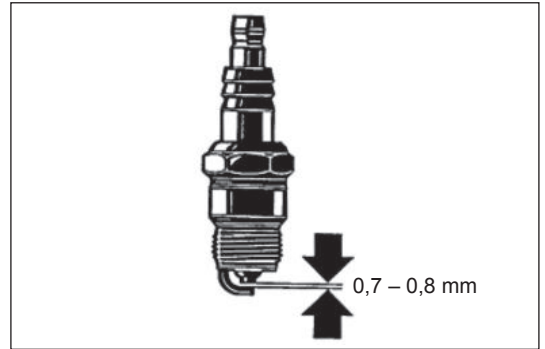
- Puhdista suodatinelementit useita kertoja päivässä, jos niihin kerääntyy paljon likaa.
- Jos käyttöä jatketaan ilman, että suodatinelementit puhdistetaan öljystä, suodatimen öljy voi valua ulos ja saastuttaa ympäristöä.



Sytytystulpan tarkistus

Tarkista ja puhdista sytytystulppa päivittäin tai kahdeksan tunnin käytön jälkeen.

- Käytä sytytystulpan irrottamiseen ja kiinnittämiseen vain laitteen mukana toimittua yleisavainta.
- Sytytystulpan elektrodien välin tulee olla 0,7 – 0,8 mm. Jos väli on liian suuri tai pieni, säädä sitä. Jos sytytystulppa on karstoittunut tai likainen, puhdista se huolellisesti tai vaihda se. Vaihda sytytystulppa täsmälleen samanlaiseen.



Rasvan ja voiteluaineen lisääminen

- Lisä rasvaa rasvanipan kautta 50 käyttötunnin välein. (Shell Alvania Nro 3 tai vastaava)

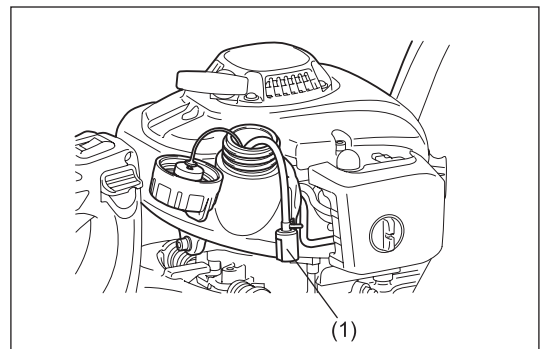
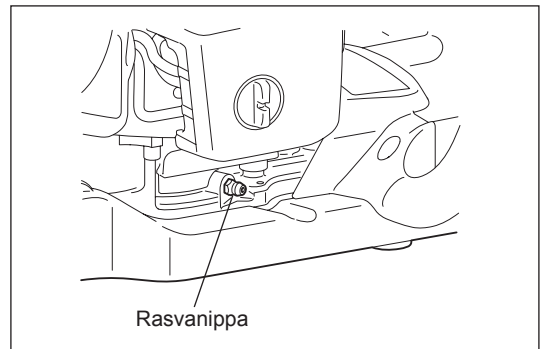
HUOMAUTUS: Huolehdi siitä, että rasvaus tapahtuu ilmoitetuin välein ja että rasvaa lisätään ilmoitettu määrä. Liian vähäinen rasvan määrä aiheuttaa toimintahäiriötä.

Polttoainesuodattimen (polttoainesäiliön imusuuttimen) puhdistaminen

VAROITUS: Palavien aineiden käyttö ehdottomasti kielletty

Tarkista ja puhdista polttoainesuodatin päivittäin tai 50 tunnin käytön jälkeen.

- Imusuuttimen huopasuodattimen (1) tehtävänä on suodattaa kaasuttimen tarvitsema polttoaine.
- Tarkista suodatin visuaalisesti säännöllisin välein.
- Kun haluat tarkistaa suodattimen, avaa polttoainesäiliön korkki ja vedä imusuutin ulos täyttöaukosta rautalankakoukulla. Vaihda huopasuodatin, jos se on kovettunut, likainen tai tukkeutunut.
- Vaihda huopasuodatin vähintään neljännesvuosittain kaasuttimen riittävän polttoaineensaannin varmistamiseksi. Häiriöt polttoaineen syötössä voivat aiheuttaa käynnistysongelmia ja rajoittaa moottorin suurinta kierrosnopeutta.



Polttoaineletkun vaihtaminen

HUOMIO: Palavien aineiden käyttö ehdottomasti kielletty

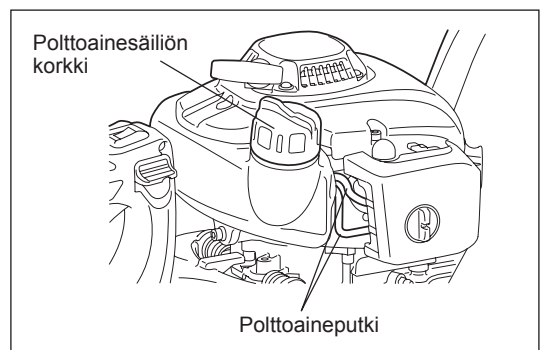
Tarkista ja puhdista polttoaineletku päivittäin tai kymmenen tunnin käytön jälkeen.

Vaihda polttoaineletku 200 tunnin käytön jälkeen tai käyttömäärästä riippumatta vuosittain. Polttoainevuoto voi aiheuttaa tulipalon.

Jos löydät tarkastuksessa vuotoja, vaihda polttoaineletku heti.

Polttoainesäiliön korkin vaihtaminen

- Jos polttoainesäiliön korkissa on vikaa, vaihda se.
- Korkki kuluu ajan myötä. Vaihda se kahden tai kolmen vuoden välein.



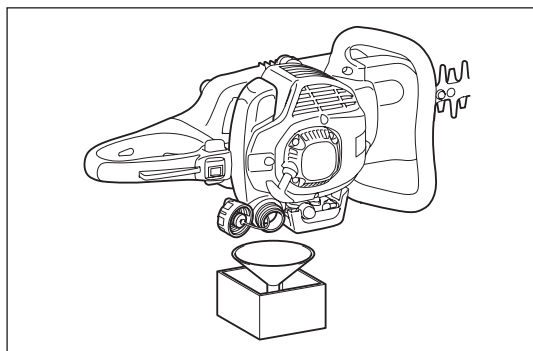
Kysy valtuutetulta Makita-huoltoedustajalta lisätietoja kaikista huolto- ja korjaustöistä, joita ei ole kerrottu tässä ohjeessa.

Päivittäinen tarkastus ja huolto

Tekemällä seuraavat huoltotoimenpiteet säännöllisin väliajoin voit varmistaa pitkän käyttöiän ja ehkäistä laitteen vioittumisen.

- Ennen käyttöä:
 - Tarkista, ettei laitteessa ole löystyneitä ruuveja eikä siitä puutu osia. Varmista erityisesti, että terien kiinnitysruuvit ovat tiukasti kiinni.
 - Tarkista, etteivät jäähdytysilman virtaustie ja sylinterin jäähdytysrivat ole tukkeutuneet tai likaiset. Puhdista ne tarvittaessa.
 - Puhdista polttoainesäiliö ja tarkista, ettei se vuoda eikä säiliössä ole vieraita esineitä.
- Käytön jälkeen:
 - Puhdista pensasleikkuri ulkopuolelta ja tarkista, näkykö siinä merkkejä vaurioista.
 - Puhdista ilmasuodatin. Jos työskentely-ympäristö on erittäin pölyinen, puhdista suodatin useita kertoja päivässä.
 - Tarkista, näkykö terissä merkkejä vaurioista, ja varmista, että ne on kiinnitetty tukevasti.

SÄILYTYS



- Jos säilytät laitetta pitkään, tyhjennä polttoainesäiliö ja kaasutin seuraavasti: Tyhjennä polttoainesäiliö.
- Irrota sytytystulppa ja lisää palotilaan sytytystulpan reiästä muutama tippa öljyä. Varmista, että öljykalvo leviää moottorin sisäpinnoille, vetämällä hitaasti käynnistimestä.
- Puhdista terä ja moottorin ulkopinta, pyyhi ne öljyisellä kankaalla ja säilytä laite mahdollisimman kuivassa tilassa.

HUOLTO-OHJELMA

Joka tankkauksen jälkeen	Kaasuvipu I-O-kytkin	Tarkista toiminta Tarkista toiminta
Aina ennen käyttöä	Moottori, ruuvit ja mutterit Ilmansuodatin Jäähdytyskanava Terä Joutokäyntinopeus Polttoainesäiliö	Tarkista vauriot ja kireys visuaalisesti Tarkista yleiskunto ja käyttöturvallisuus Puhdista Puhdista Tarkista kunto ja terävyys Tarkista (terä ei saa liikkua) Tarkista ja puhdista
50 käyttötunnin välein	Hammasrattaiston kotelo	Lisää rasvaa
Viikoittain	Sytytystulppa	Tarkista ja tarvittaessa vaihda
Vuosittain	Polttoaineputki	Vaihda
Joka toinen vuosi	Polttoainesäiliön korkki	Vaihda
Ennen pitkäaikaista varastointia	Polttoainesäiliö Kaasutin Imusuutin	Tyhjennä ja puhdista Käytä laitetta, kunnes polttoaine loppuu Vaihda

VIANETSINTÄ

Vika	Järjestelmä	Havainto	Syy
Moottori ei käynnisty tai käynnistyy vain vaivoin	Sytytysjärjestelmä	Sytytystulpassa näkyy kipinä.	Vika polttoainejärjestelmässä tai puristuspuheen tuottamisessa, mekaaninen vika
		Sytytystulpassa ei näy kipinää.	I-O-kytkin käytössä, johdoissa vikoja, oikosulku, viallinen sytytystulppa tai sytytystulpan johto, viallinen käynnistyslaite
	Polttoainejärjestelmä	Polttoainesäiliö on täytetty	Väärä kuristinvivun asento, viallinen kaasutin, likainen imusuutin (polttoainesuodatin), taittunut tai tukkeutunut polttoaineletku
	Puristus	Moottorin sisällä	Viallinen sylinterin pohjan tiiviste, kampiakselin tiivisteet vaurioituneet, sylinteri tai männänrenkaat vioittuneet
		Moottorin ulkopuoli	Sytytystulpan puutteellinen eristys
Käynnistysongelmia, lämmin moottori	Mekaaninen vika	Käynnistin ei tartu kiinni	Rikkinäinen käynnistyslaitteen jousi, rikkoutuneita osia moottorin sisällä
		Säiliö täytetty, sytytystulpassa näkyy kipinä	Likainen kaasutin, vie puhdistettavaksi
Moottori käynnistyy, mutta ei jaksa käydä	Polttoainejärjestelmä	Säiliö täytetty	Väärä joutokäyntinopeuden säätö, likainen imusuutin tai kaasutin
			Viallinen polttoainesäiliön ilma-aukko, tukkeutunut polttoaineletku, viallinen ohjausvaijeri tai I-O-kytkin
Vajaateho	Useassa järjestelmässä voi olla vikaa samanaikaisesti	Moottorin joutokäynti	Likainen ilmansuodatin, likainen kaasutin, tukkeutunut äänenvaimennin, tukkeutunut sylinterin pakokanava

Pateicamies, ka iegādājāties MAKITA dzīvzoga griezēju. Mēs ar prieku piedāvājam MAKITA dzīvzoga griezēju, kas izstrādāts ilgas izveidošanas programmas rezultātā, izmantojot daudzus zināšanu un pieredzes gadus.

Dzīvzoga griezēja modeļi EH5000W, EH6000W un EH7500W apvieno vismodernāko tehnoloģiju priekšrocības ar ergonomisku dizainu – izstrādājumi ir viegli, parocīgi, kompakti un ir izmantojami dažādām vajadzībām profesionālai lietošanai.

Lūdzu, izlasiet, izprotiet un ievērojiet šo bukletu, kurā sīki aprakstīti dažādi aspekti, kas nodrošina izcilu ierīces darbību. Tas palīdzēs droši gūt labākos iespējamus rezultātus ar MAKITA dzīvzoga griezēju.



Saturs	Lappuse
Simboli.....	59
Drošības noteikumi.....	60
Tehniskie dati.....	63
Daļu apzīmējumi.....	64
Degviela/uzpildīšana	65
Piesardzības pasākumi pirms iedarbināšanas	66
Aparāta iedarbināšana	67
Aparāta apturēšana	67
Aparāta ekspluatācija	68
Aizmugures roktura leņķa regulēšana	68
Tehniskās apkopes norādījumi	69
Glabāšana	72
Tehniskās apkopes grafiks	72
Bojājumu novēršana.....	72

SIMBOLI

Lasot šo lietošanas instrukciju, ir ļoti svarīgi tas, ka izprotat šādus apzīmējumus:

	BRĪDINĀJUMS/BRIESMAS		Degvielas un eļļas maisījums
	Izlasiet, izprotiet un ievērojiet Instrukciju rokasgrāmata		Dzinēja iedarbināšana ar roku
	Aizliegts		Ārkārtas apturēšana
	Smēķēt aizliegts		Pirmā palīdzība
	Atklāta liesma aizliegta		Pārstrādāšana
	Valkāt aizsargcimdus		
	Neļaujiet apkārtnē atrasties cilvēkiem un dzīvniekiem		IESLĒGT/SĀKT
	Lietojiet acu un ausu aizsargus	○	IZSLĒGT/APTURĒT
		CE	CE marķējums

DROŠĪBAS NOTEIKUMI

Vispārēji norādījumi

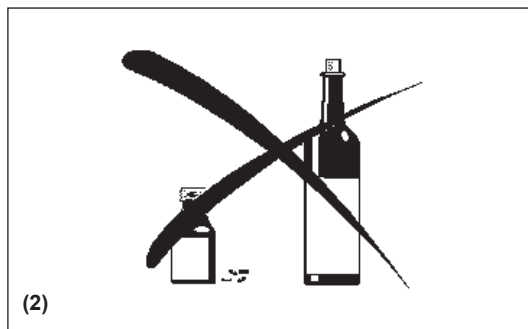
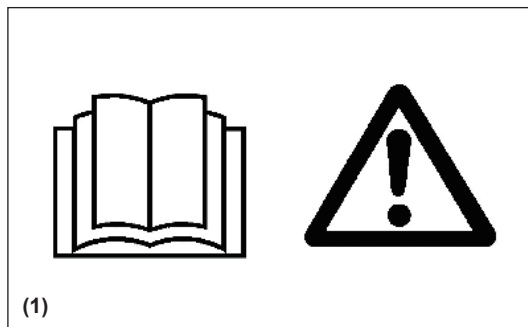
- ŠIS APARĀTS VAR RADĪT NOPIETNUS IEVAINOJUMUS. Lai pareizi rīkotos ar aparātu, to sagatavotu, veiktu tehnisko apkopi, iedarbinātu un apturētu, uzmanīgi izlasiet norādījumus. Iepazīstieties ar aparāta vadības iekārtām un pareizu izmantošanu. (1)
- Dzīvzoga griezēju ieteicams dot vienīgi tādām personām, kas jau iepriekš ir strādājušas ar dzīvzoga griezēju.
Vienmēr izsniedziet viņiem lietošanas rokasgrāmatu.
- Lietotājiem, kas aparātu izmantos pirmo reizi, būtu jālūdz izplatītājam sniegt pamata instrukcijas, lai iepazītos ar dzīvzoga griezēju, ko darbina dzinējs.
- Bērni un jaunieši, kas nav sasnieguši 18 gadu vecumu, nedrīkst izmantot dzīvzoga griezēju. Tomēr jaunieši, kas vecāki par 16 gadiem, drīkst lietot aparātu apmācības nolūkiem, bet tikai kvalificēta instruktora tiešā uzraudzībā.
- Dzīvzoga griezēju izmantojiet ar vislielāko rūpību un uzmanību.
- Dzīvzoga griezēju lietojiet tikai tad, ja esat labā fiziskā stāvoklī. Visus darbus veiciet mierīgi un uzmanīgi. Lietotājam jāuzņemas atbildība par pārejiem.
- Nekad neizmantojiet dzīvzoga griezēju pēc alkohola vai narkotiku lietošanas vai, ja esat noguris vai slims. (2)

Aparāta paredzētā izmantošana

- Dzīvzoga griezējs ir paredzēts tikai krūmu un dzīvzogu apgriešanai, un to nedrīkst izmantot citiem mērķiem. Lietojiet griezēju pareizi.

Individuālās aizsardzības līdzekļi

- Valkātajam apģērbam jābūt funkcionālam un piemērotam, t.i., tam jābūt cieši pieguļošam, taču tas nedrīkst ierobežot kustības. Nenēsājiet tādas rotaslietas vai vaļēju apģērbu, kas var ieķerties krūmos vai brikšņos, vai aparātā.
- Dzīvzoga griezēja ekspluatācijas laikā jāvalkā šeit minētais aizsargaprīkojums un aizsargapģērbs, lai neievainotu acis, plaukstas vai pēdas, kā arī, lai pasargātu dzirdi.
- Dzīvzoga griezēja ekspluatācijas laikā vienmēr lietojiet aizsargbrilles vai aizsargstiklu, lai neievainotu acis. (3)
- Izmantojiet piemērotus trokšņa aizsardzības līdzekļus, piemēram, austiņas, ausu aizbāžņus u.c. (3)
- Mēs stingri iesakām lietotājam valkāt darba kombinezonu. (4)
- Īpaši cimdi, kas izgatavoti no biezas ādas, ir daļa no minētajiem līdzekļiem, un tie vienmēr jāvalkā, lietojot dzīvzoga griezēju. (4)
- Lietojot dzīvzoga griezēju, vienmēr valkājiet cietus apavus ar neslīdošām zolēm. Tie pasargā no ievainojumiem un nodrošina stabilu pamatu. (4)



Dzīvzoga griezēja iedarbināšana

- Lūdzu, pārbaudiet, vai darba zonas apgabalā – 15 metru attālumā (5) – neatrodas bērni vai citi cilvēki, kā arī uzmanieties no dzīvniekiem tuvumā.
- Pirms ekspluatācijas vienmēr pārbaudiet, vai dzīvzoga griezējs ir drošā ekspluatācijas stāvoklī.
- Pārbaudiet droseles sviras drošību. Jāpārbauda, vai drošības svira darbojas vienmērīgi un bez piepūles. Pārbaudiet, vai droseles sviras bloķētājs darbojas pareizi. Pārbaudiet, vai rokturi ir tīri un sausi, un pārbaudiet I-O slēdža darbību. Rūpējieties, lai uz rokturiem nebūtu eļļa un degviela.

Iedarbiniet dzīvzoga griezēju saskaņā ar instrukcijām.

Dzinēja iedarbināšanai neizmantojiet nevienu citu paņēmieni (6)!

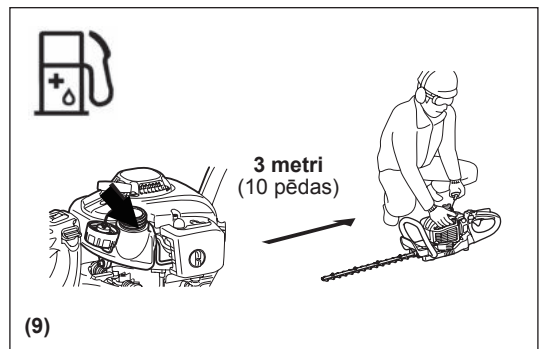
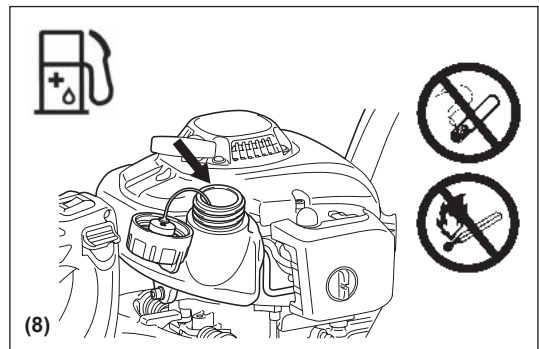
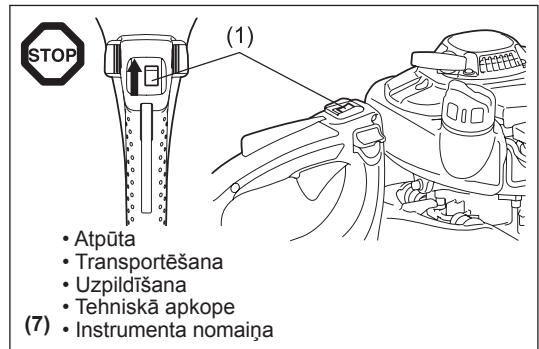
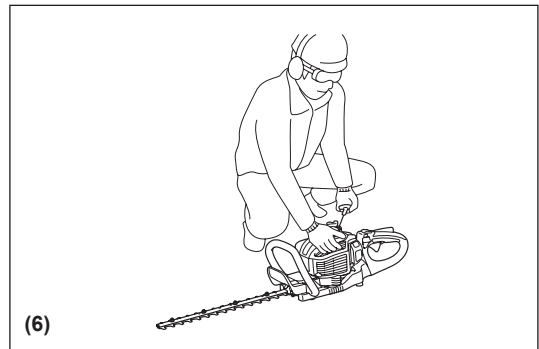
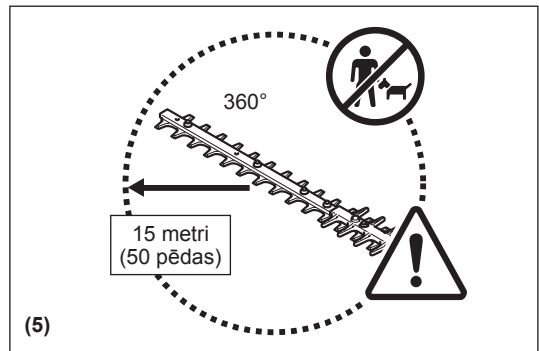
- Dzīvzoga griezēju izmantojiet tikai norādītajām darbībām.
- Dzīvzoga griezēja dzinēju iedarbiniet tikai tad, kad montāža ir pilnībā pabeigta. Ar dzīvzoga griezēju atļauts strādāt tikai tad, kad visi nepieciešamie piederumi ir tam pievienoti.
- Pirms iedarbināšanas pārbaudiet, vai griezējasmens nesaskaras ar priekšmetiem, piemēram, zariem, akmeņiem u.c.
- Ja ar dzinēju rodas problēmas, to nekavējoties apturiet.
- Ekspluatācijas laikā turiet gan priekšējo, gan aizmugures rokturi, cieši apliekot pirkstus apkārt abiem rokturiem. Rūpējieties, lai rokturi būtu tīri un sausi, un uz tiem nebūtu sveķi, eļļa vai smērviela.

Vienmēr pārliecinieties par stabilu pamatu un saglabājiet labu līdzsvaru.

- Izmantojiet tikai ārpus telpām.
- Vienmēr apzinieties savu apkārtni un uzmanieties no iespējamā apdraudējuma, ko jūs varētu nedzirdēt aparāta trokšņa dēļ.
- Dzīvzoga griezēju turiet tādā veidā, lai nepieļautu izplūdes gāzes ieelpošanu. Nekad nedarbiniet dzinēju slēgtās telpās (risks noslāpt vai saindēties ar gāzi). Oglekļa monoksīds ir gāze bez aromāta. Vienmēr pārbaudiet, vai ir laba ventilācija.
- Izslēdziet dzinēju atpūtas laikā un, atstājot dzīvzoga griezēju bez uzraudzības. Novietojiet to drošā vietā, kur tas nav bīstams citiem cilvēkiem, nevar aizdedzināt viegli uzliesmojošus priekšmetus vai kur to nevar sabojāt.
- Nekad nenovietojiet karstu dzīvzoga griezēju uz sausas zāles vai uz viegli uzliesmojošiem priekšmetiem.
- Lai mazinātu ugunsbīstamību, no dzinēja un kustinātāja vienmēr iztīriet netīrumus, lapas vai lieko smērvielu.
- Nekad nelietojiet dzinēju, ja tam bojāts izplūdes klusinātājs.
- Pārvadājot aparātu, apturiet dzinēju (7).
- Apturiet dzinēju pirms:
 - nosprostojuma tīrīšanas;
 - aparāta pārbaudes, tehniskās apkopes vai regulēšanas.
- Lai no dzīvzoga griezēja neiztecētu degviela, nostipriniet to cieši, pārvadājot ar vieglo vai kravas automobili.
- Pārvadājot dzīvzoga griezēju, nodrošiniet, lai degvielas tvertne ir pilnībā tukša, lai nepieļautu degvielas noplūdi.
- Pārvadājot vai uzglabājot aparātu, vienmēr uzstādiet griezējierīces aizsargu.

Uzpildīšana

- Pirms uzpildīšanas (7) apturiet dzinēju, uzturieties pietiekami tālu no atklātas liesmas (8) un nesmēķējiet.
- Neuzpildiet karstu dzinēju vai tad, kad tas darbojas.
- Nepieļaujiet, lai naftas produkti nokļūst uz ādas. Neieelpojiet degvielas garaiņus. Uzpildīšanas laikā vienmēr valkājiet aizsargcimdus. Regulāri nomainiet un tīriet aizsargapģērbu.
- Lai nepiesārņotu augsni (aizsargātu apkārtējo vidi), rūpējieties, lai neizšļakstītu ne degvielu, ne eļļu. Ja degviela izšļakstās, noslaukiet dzīvzoga griezēju. Degvielas noslaucīšanai izmantotās lupatiņas pirms likvidēšanas izžāvējiet labi vēdinātā vietā. Šādi nerīkojoties, var izraisīt nejaušu aizdegšanos.
- Nepieļaujiet, lai degviela nokļūst uz jūsu apģērba. Nekavējoties pārģērbieties, ja uz apģērba nokļuvusi degviela (bīstams apdraudējums).
- Regulāri pārbaudiet degvielas vāciņu, pārliecinoties, vai tas ir cieši pieskrūvēts.
- Uzmanīgi pieskrūvējiet degvielas tvertnes vāciņu. Dzinēju iedarbiniet citā vietā (vismaz 3 metrus tālāk no uzpildīšanas vietas) (9).
- Nekad neuzpildiet slēgtā telpā. Degvielas garaiņi koncentrējas zemes līmenī (sprādzienbīstamība).
- Degvielu pārvadājiet un uzglabājiet tikai pārbaudītās tvertnēs. Pārbaudiet, vai degvielai, kas novietota glabāšanai, nevar piekļūt bērni.
- Samaisot benzīnu ar divtaktu dzinēja eļļu, izmantojiet tikai tādu benzīnu, kura sastāvā nav etanola vai metanola (spirta veidi). Tādējādi degvielas plūsmas ceļi un citas dzinēja detaļas nesabojāsies.



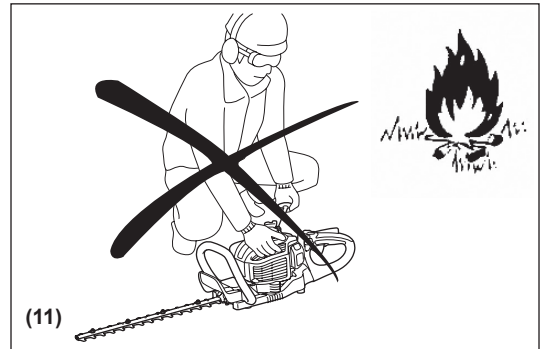
Ekspluatācijas metode

- Abu rokturu satveršanai vienmēr izmantojiet abas rokas.
- Dzīvzoga griezēju izmantojiet tikai labā apgaismojumā un redzamībā. Aukstos gadalaikos esiet uzmanīgi slidenās vai slapjās vietās, uz ledus un sniegā (paslīdēšanas risks). Vienmēr pārliecinieties par stabilu pamatu.
- Nekad nestrādājiet uz nestabilām virsmām vai stāvās nogāzēs.
- Nekad nestāviet uz kāpnēm ar iedarbinātu dzīvzoga griezēju.
- Nekad nekāpiet kokā, lai veiktu griešanu ar dzīvzoga griezēju.
- Lai mazinātu risku paklupt vai zaudēt vadību, neejiet atpakaļgaitā, strādājot ar aparātu.
- Pirms aparāta tīrīšanas vai tehniskās apkopes, vai nomainot detaļas, vienmēr apturiet dzinēju.
- Nelietojiet aparātu ar bojātu vai pārmērīgi nodilušu griezējierīci.



Tehniskās apkopes norādījumi

- Saudzējiet dabu. Lietojiet dzīvzoga griezēju, pēc iespējas mazāk trokšņojot un piesārņojot dabu. Jo īpaši pārbaudiet, vai karburators ir pareizi noregulēts.
- Dzīvzoga griezēju regulāri tīriet un pārbaudiet, vai visas skrūves un uzgriežņi ir cieši pieskrūvēti.
- Nekad neveiciet tehnisko apkopi dzīvzoga griezējam vai arī to neuzglabājat atklātas liesmas, dzirksteļu, u.c. tuvumā (11).
- Pirms dzīvzoga griezēja novietošanas glabāšanā iztukšojiet degvielas tvertni.
- Lai nepieļautu ugunsgrēku, nekad neuzglabājat dzīvzoga griezēju atklātas liesmas tuvumā.
- Dzīvzoga griezēju uzglabājat labi vēdinātā un augstā, vai aizslēgtā vietā, kas nav bērniem pieejama.
- Nemēģiniet labot aparātu, ja jums nav atbilstoša kvalifikācija.



Iegaumējiet un ievērojiet visas attiecīgās negadījumu novēršanas instrukcijas, ko izdod arodbiedrību drošības padomes un apdrošināšanas aģentūras.

Dzīvzoga griezējam neveiciet nekādus pārveidojumus, jo tādējādi pakļausiet savu drošību riskam.

Lietotājs drīkst veikt tikai tos tehniskās apkopes vai remonta darbus, kas norādīti šajā lietošanas rokasgrāmatā. Visi pārējie darbi jāveic pilnvarotam servisa pārstāvim.

Izmantojiet tikai oriģinālās rezerves daļas un piederumus, ko piegādā MAKITA pilnvaroti vai rūpnīcas servisa centri.

Ja izmantosit neapstiprinātus piederumus un instrumentus, palielināsies negadījumu un ievainojumu risks. MAKITA neuzņemas nekādu atbildību par negadījumiem vai bojājumiem, ko izraisījis neapstiprinātu piederumu izmantošana.

Pirmā palīdzība

Nodrošiniet, lai griešanas vietā nelaimes gadījumā ir pieejama pilnībā nokomplektēta pirmās palīdzības aptieciņa saskaņā ar DIN 13164.

Ja no pirmās palīdzības aptieciņas paņemts kāds priekšmets, nekavējoties atlieciet vietā jaunu.

Lūdzot palīdzību, vienmēr sniedziet šādu informāciju:

- negadījuma vieta
- kas tieši atgadījās
- ievainoto personu skaits
- ievainojumu apmērs
- jūsu vārds



Iepakojums

MAKITA dzīvzoga griezējs ir piegādāts aizsargājošā kartona kastē, lai nepieļautu sūtījuma bojājumus. Kartons ir pamata izejmateriāls, tāpēc to pēc izmantošanas iespējams lietot vēlreiz vai pārstrādāt (makulatūras pārstrādāšana).



EK ATBILSTĪBAS DEKLARĀCIJA

Uzņēmums „Makita Corporation”, kā atbildīgais ražotājs paziņo, ka šāds/-i „Makita” instruments/-i:

Darbarīka nosaukums: Benzīna dzīvžoga griezējs
 Modeļa Nr./ tips: EH5000W, EH6000W, EH7500W
 Specifikācijas: skatīt sadaļu „TEHNISKIE DATI”

Ir sērijveida izstrādājums/-i un

Atbilst šādām Eiropas Savienības Direktīvām:

2000/14/EK, 2006/42/EK

Un ražots/-i saskaņā ar šādiem standartiem vai normatīvajiem dokumentiem:

EN ISO 10517

Tehnisko dokumentāciju uztur mūsu pilnvarots pārstāvis Eiropā –

Makita International Europe Ltd.

Michigan Drive, Tongwell, Milton Keynes, Bucks MK15 8JD, Anglija

Atbilstības novērtējuma procedūra, ko nosaka Direktīva 2000/14/EK, veikta atbilstoši V pielikumam.

Novērtētais skaņas jaudas līmenis: EH5000W 104,0 dB (A), EH6000W 104,2 dB (A), EH7500W 104,8 dB (A)

Garantētais skaņas jaudas līmenis: visi modeļi 106 dB (A)

1. 12. 2010.



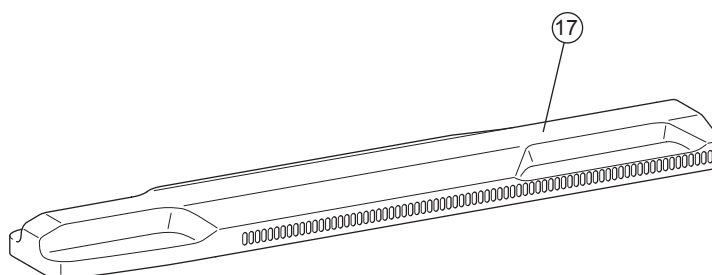
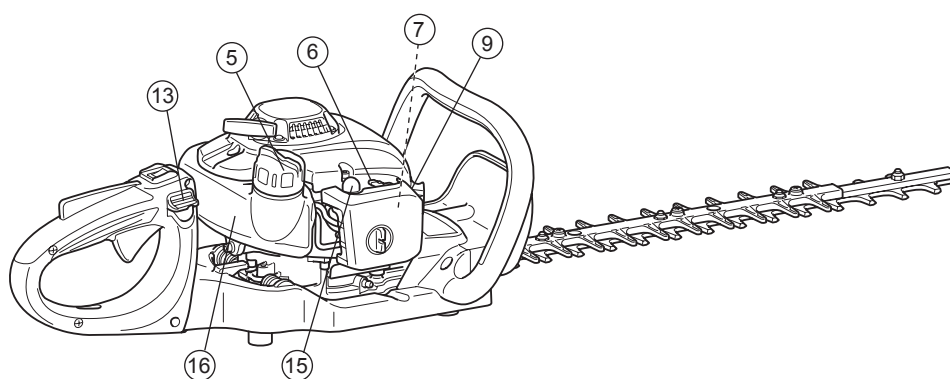
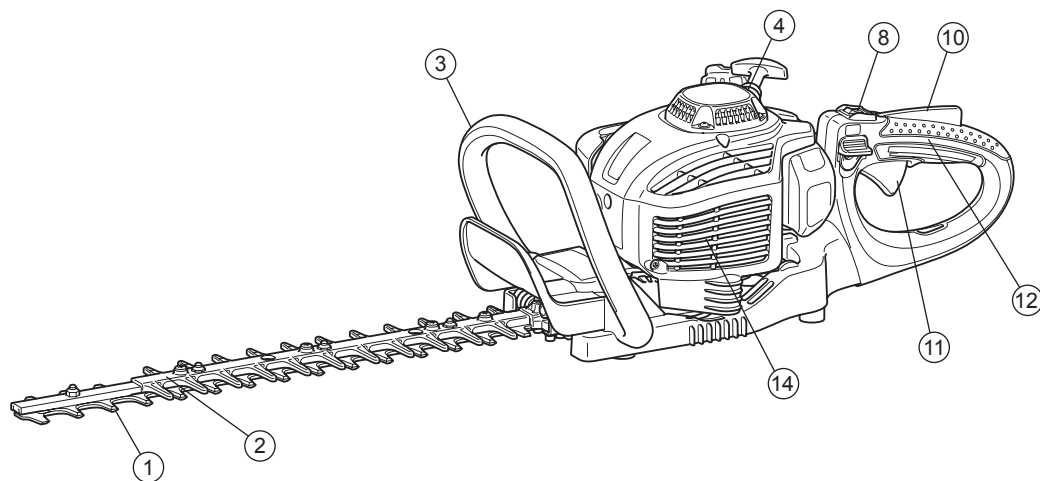
Tomojasu Kato
Direktors

Makita Corporation
3-11-8, Sumiyoshi-cho,
Anjo, Aichi, 446-8502, JAPAN

TEHNISKIE DATI

Modelis			EH5000W	EH6000W	EH7500W	
Gabarīti (G x P x A)		mm	1 014 x 262 x 216	1 119 x 262 x 216	1 259 x 262 x 216	
Masa (bez asmens aizsarga)		kg	4,8	5,0	5,2	
Tilpums (degvielas tvertne)		l	0,4			
Dzinēja darba tilpums		cm ³	22,2			
Zāģēšanas garums		mm	483	588	728	
Maksimālā dzinēja jauda		kW	0,68			
Taktis minūtē		min ⁻¹	4 270			
Tukšgaitas ātrums		min ⁻¹	3 000			
Sajūga iedarbināšanas ātrums		min ⁻¹	4 000			
Karburatora tips		tips	WALBRO WYL			
Aizdedzes sistēma		tips	Aizdedze cietā stāvoklī			
Aizdedzes svece		tips	NGK CMR6A			
Elektroda sprauga		mm	0,7 - 0,8			
Vibrācija atbilstoši EN ISO 10517	Labais rokturis	$a_{hv\ eq}$	m/s ²	2,5	2,7	2,3
		Nenoteiktība K	m/s ²	1,3	1,1	1,6
	Kreisais rokturis	$a_{hv\ eq}$	m/s ²	2,5	2,8	2,3
		Nenoteiktība K	m/s ²	1,3	1,1	1,2
Troksnis atbilstoši EN ISO 10517	Skaņas spiediena līmenis		dB (A)	93,0	92,8	93,9
		Nenoteiktība K	dB (A)	1,4	2,2	1,2
	Skaņas jaudas līmenis		dB (A)	103,0	103,2	103,8
		Nenoteiktība K	dB (A)	2,1	1,5	1,3
Maisījuma attiecība (degviela: dzinēja eļļa)	MAKITA oriģinālā divtaktu dzinēja eļļa		50 : 1			
	Cita ražotāja divtaktu dzinēja eļļa		25 : 1			
Pārnēsuma skaitlis				9 : 43		

DAĻU APZĪMĒJUMI



	DAĻU APZĪMĒJUMI		DAĻU APZĪMĒJUMI		DAĻU APZĪMĒJUMI
1	Asmens	7	Karburators (nav redzams)	13	Atlaišanas svira
2	Neasais pagarinājums	8	I-O slēdzis (IESLĒGŠANA/ IZSLĒGŠANA)	14	Klusinātājs
3	Priekšējais rokturis	9	Aizdedzes svece	15	Aizdedzināšanas sūknis
4	Rokas starteris	10	Atbloķēšanas svira	16	Degvielas tvertne
5	Degvielas tvertnes vāciņš	11	Droseļvārsta svira	17	Asmens aizsargs
6	Jaudas svira	12	Aizmugures rokturis		

DEGVIELA/UZPILDĪŠANA

Degvielas un eļļas maisījums

- Dzīvzoga griezējam ir augstas efektivitātes divtaktu dzinējs. Tas darbojas ar degvielas un divtaktu dzinēja eļļas maisījumu. Dzinējs ir paredzēts parastajai bezsvina degvielai ar min. oktāna skaitli 91 (ROZ - Research Oktan Zahl).
Ja šāda degviela nav pieejama, iespējams izmantot degvielu ar augstāku oktāna skaitli. Tas dzinējam nekaitēs, taču dzinējs var darboties sliktāk. Līdžīgās sekas būs, izmantojot degvielu ar svina piemaisījumu. Lai dzinēja ekspluatācija būtu optimāla un lai aizsargātu jūsu veselību un apkārtējo vidi, izmantojiet tikai bezsvina degvielu!
- Lai ieeļļotu dzinēju, izmantojiet divtaktu dzinēja eļļu (kvalitātes kategorija: TSC-3), ko pievieno degvielai.
Dzinēju ir paredzēts izmantot ar MAKITA divtaktu mašīnēļļu, kuras maisījuma attiecība apkārtējās vides aizsardzības nolūkā ir tikai 50:1. Turklāt tādējādi tiks nodrošināts ilgs ekspluatācijas laiks un uzticama darbība ar minimālu izplūdes gāzu emisiju. Ir ļoti svarīgi ievērot (MAKITA divtaktu dzinēja eļļas) maisījuma attiecību 50:1, citādi nav iespējams nodrošināt uzticamu dzīvzoga griezēja funkcionalitāti.
- Ieteicamā pareizā maisījuma attiecība:
Benzīns: norādītā divtaktu dzinēja eļļa = 50 : 1 vai
Benzīns: cita ražotāja divtaktu dzinēja eļļa = 25 : 1

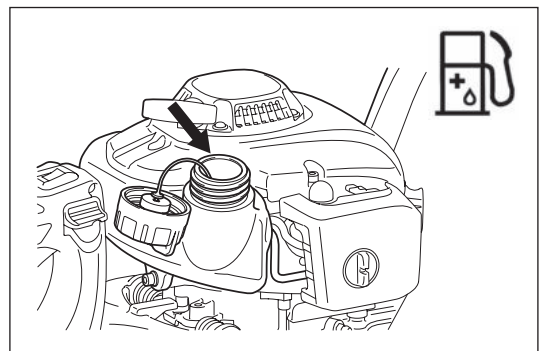
PIEZĪME: Lai sagatavotu degvielas un eļļas maisījumu, sākumā visu eļļas daudzumu piemērotā traukā, kas atbilst visiem vietējiem standartiem vai tos pārsniedz, samaisiet ar pusi vajadzīgā degvielas daudzuma. Pēc tam pievienojiet atlikušo degvielu.
Pirms degvielas maisījuma iepildīšanas dzīvzoga griezēja tvertnē maisījumu kārtīgi sakratiet.
Lai ekspluatācija būtu droša, nepievienojiet vairāk dzinēja eļļas nekā noteikts. Tādējādi tikai panāksiet vairāk sadegšanas palieku veidošanos, kas piesārņos dabu un nosprostos izplūdes kanālu cilindrā, kā arī klusinātāju. Turklāt palielināsies degvielas patēriņš, un efektivitāte mazināsies.

Rīkošanās ar naftas produktiem

Rīkojoties ar degvielu, jāievēro īpaši liela piesardzība. Degvielā var būt šķīdinātājiem līdzīgas vielas. Uzpildiet degvielu labi vēdinātā telpā vai brīvā dabā. Neieelpojiet degvielas garaiņus, nepieļaujiet, ka degviela vai eļļa nokļūst uz ādas. Pēc atkārtotas un ilgstošas saskares ar šīm vielām, āda izkalst. Rezultātā var rasties dažādas ādas slimības. Turklāt var rasties alerģiskas reakcijas.
Eļļai, degvielai un citām vielām iekļūstot acīs, tās tiek kairinātas. Ja acīs iekļūst eļļa, degviela un citas vielas, nekavējoties izskalojiet tās ar tīru ūdeni. Ja acis joprojām tiek kairinātas, nekavējoties vērsieties pie ārsta!



Ievērojiet 61. lpp. sniegtos drošības norādījumus.



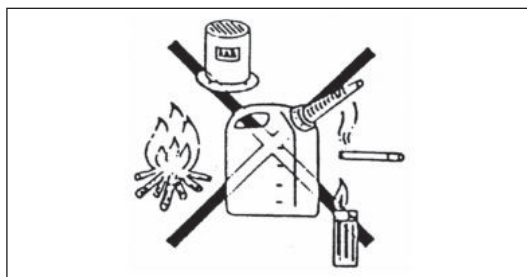
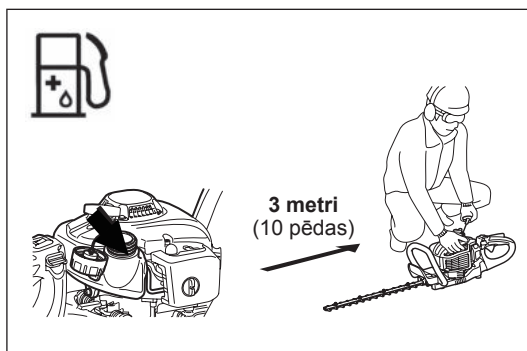
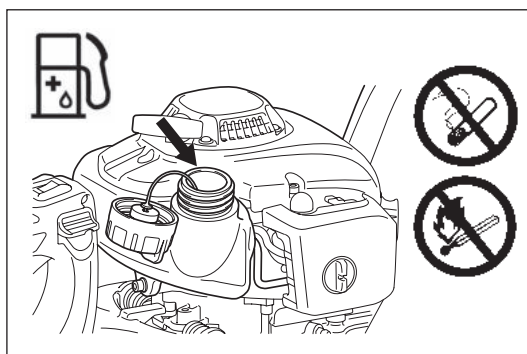
Benzīns		Eļļa	
	50:1		25:1
+		50:1	
1 000 cm ³ (1 litrs)	20 cm ³	40 cm ³	
5 000 cm ³ (5 litri)	100 cm ³	200 cm ³	
10 000 cm ³ (10 litri)	200 cm ³	400 cm ³	

Uzpildīšana

- Izslēdziet dzinēju.
- Uzpildīšanas laikā apturiet dzinēju, uzturieties pietiekami tālu no liesmām un nesmēķējiet.
- Lai nepiesārņotu augsni, rūpējieties, lai neizšļakstītu ne degvielu, ne eļļu. Ja degviela izšļakstās, nekavējoties noslaukiet dzīvžoga griezēju.
- Neuzšļakstiet degvielu uz dzinēja. Ja degviela izšļakstās, to noslaukiet.
- Nepieļaujiet, lai degviela nokļūst uz jūsu apģērba. Nekavējoties nomainiet apģērbus, ja uz tā ir izšļakstījusies degviela (lai nepieļautu apģērba aizdegšanos).
- Regulāri pārbaudiet degvielas vāciņu, pārliecinoties, vai tas ir cieši pieskrūvēts un no tā nav degvielas noplūdes.
- Uzmanīgi pieskrūvējiet degvielas tvertnes vāciņu. Pirms dzinēja iedarbināšanas nostāieties citā vietā (vismaz 3 metrus tālāk no uzpildīšanas vietas).
- Nekad neuzpildiet slēgtā telpā. Degvielas garaiņi koncentrējas zemes līmenī (sprādzienbīstamība).
- Degvielu pārvadājiet un uzglabājiet tikai pārbaudītās tvertnēs. Pārbaudiet, vai degvielai, kas novietota glabāšanai, nevar piekļūt bērni.
- Rūpīgi notīriet laukumu ap degvielas vāciņu, lai degvielas tvertnē neiekļūtu netīrumi.
- Atskrūvējiet vāciņu un piepildiet tvertni ar degvielu. Degvielas filtrēšanai izmantojiet metāla sieta piltuvi.
- Cieši pieskrūvējiet vāciņu, izmantojot tikai roku spēku.
- Pēc uzpildīšanas notīriet uzskrūvējamo vāciņu un tvertni.
- Lai nepieļautu ugunsgrēku, vienmēr noslaukiet izšļakstījušos degvielu.

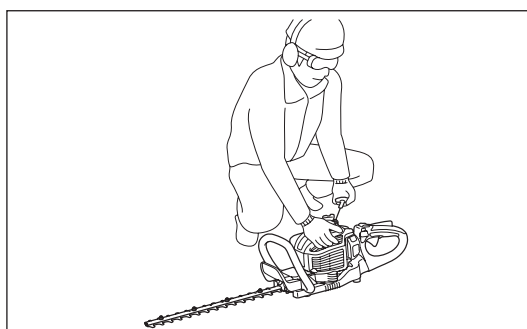
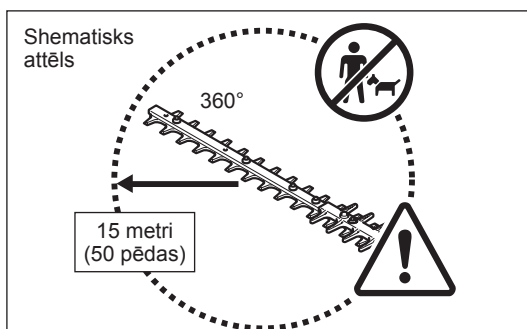
Degvielas uzglabāšana

- Degvielu nav iespējams uzglabāt neierobežotu laikposmu.
- Iegādājieties tikai tādu daudzumu, kas vajadzīgs 4 ekspluatācijas nedēļām.
- Izmantojiet tikai apstiprinātas degvielas uzglabāšanas tvertnes.



PIESARDZĪBAS PASĀKUMI PIRMS IEDARBINĀŠANAS

- Pārliecinieties, vai darba zonas tuvumā 15 metru diapazonā nav bērni un citas personas. Kā arī uzmanieties no dzīvniekiem tuvumā.
- Pirms lietošanas vienmēr pārbaudiet, vai dzīvžoga griezējs ir drošā ekspluatācijas stāvoklī. Pārbaudiet, vai griezējierīce nav bojāta, vai vadības rokturis ir viegli lietojams un pārbaudiet I-O slēdža pareizu funkcionēšanu. Pārliecinieties, vai griezējasmeņi ir nekustīgi dzinēja tukšgaitas ātrumā. Ja rodas šaubas, sazinieties ar izplatītāju, lai noregulētu aparātu. Pārbaudiet, vai rokturi ir tīri un sausi, un pārbaudiet I-O slēdža darbību.
- Iedarbiniet dzīvžoga griezēju tikai saskaņā ar instrukcijām. Dzinēja iedarbināšanai neizmantojiet nevienu citu paņēmienu! (Skatiet sadaļu „Iedarbināšana”.)
- Dzinēju iedarbiniet tikai tad, kad montāža ir pilnībā pabeigta. Dzinēja ekspluatācija ir atļauta tikai tad, kad visi nepieciešamie piederumi ir pievienoti. Pretējā gadījumā pastāv ievainojumu risks.
- Pirms iedarbināšanas pārbaudiet, vai griezējasmeņi nesaskaras ar priekšmetiem, piemēram, zariem, akmeņiem u.c.
- Pirms griešanas pārbaudiet, vai apkārtnē nav stieples, vadi, stikls vai citi svešķermeņi, kas var saskarties ar asmeni.
- Elektriskās strāvas trieciens. Uzmanieties no elektrolīnijām un elektriskajiem žogiem. Pirms griešanas pārbaudiet, vai apkārtnē nav elektrolīnijas.



APARĀTA IEDARBINĀŠANA

Pirms iedarbināšanas paejiet vismaz 3 metrus prom no uzpildīšanas vietas. Novietojiet dzīvžoga griezēju uz tīra zemes laukuma. Pārbaudiet, vai griezējasmēņi nesaskaras ar zemi vai citiem priekšmetiem.

Auksta dzinēja iedarbināšana: (Ja dzinējs ir auksts, ja tas nav darbojies ilgāk par 5 minūtēm vai ja dzinējam pievienota degviela).

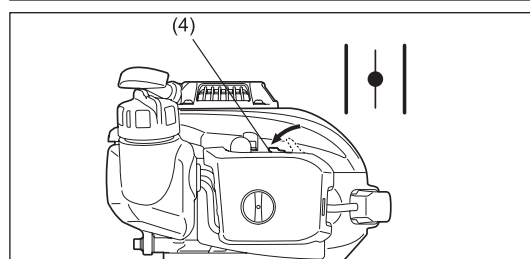
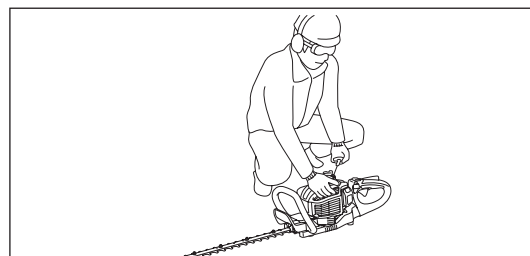
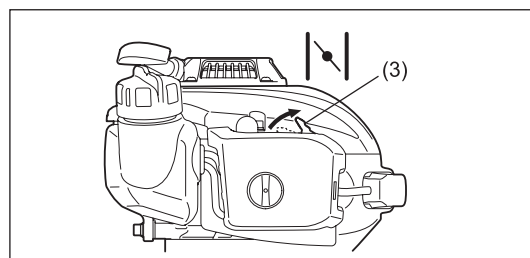
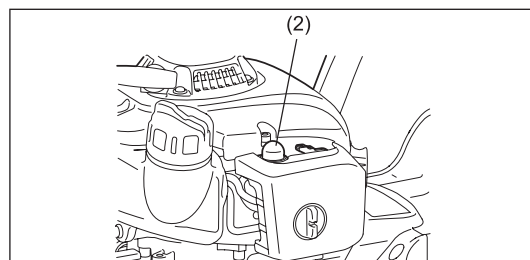
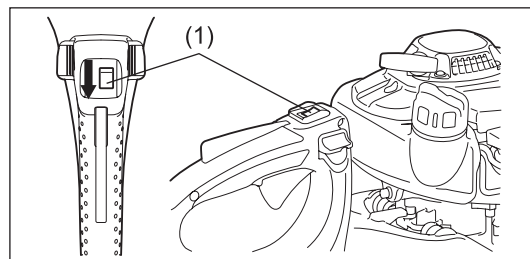
1. Novietojiet I-O slēdzi (1) stāvoklī „I”.
2. Turpiniet viegli spiest (7 – 10 reizes) aizdedzināšanas sūkni (2), kamēr tajā nokļūst degviela.
3. Novietojiet jaudas sviru (3) stāvoklī „|↘|”.
4. Palaižot dzinēju, dzīvžoga griezēju turiet cieši piespiestu, lai nezaudētu kontroli. Ja tā nedara, var izraisīt nopietnus ievainojumus un/vai īpašuma bojājumus, saskaroties ar griezējasmēni vai nokrītot.
5. Lēnām pavelciet iedarbināšanas rokturi 10 – 15 cm, līdz sajūtat pretestību.
6. Spēcīgi pavelciet iedarbināšanas rokturi, jūtot pretestību, un iedarbiniet dzinēju.
7. Kad dzinējs sāk darboties vai iedarbojas un apstājas, novietojiet jaudas sviru (4) atpakaļ stāvoklī „|↑|”.
8. Darbiniet dzinēju apmēram vienu minūti vidējā ātrumā, pēc tam palieliniet to uz pilnu degvielas padevi.

Piezīme: • Ja iedarbināšanas rokturi vilksit vairākas reizes, kad jaudas svira ir stāvoklī „|↘|”, dzinēju būs grūti iedarbināt, jo būs iesūknēts pārāk liels degvielas daudzums.

- Ja iesūknēts pārāk liels degvielas daudzums, izņemiet aizdedzes sveci un lēnām pavelciet iedarbināšanas rokturi, lai aiztecinātu lieko degvielas daudzumu. Kā arī nožāvējiet aizdedzes sveces elektroda posmu.

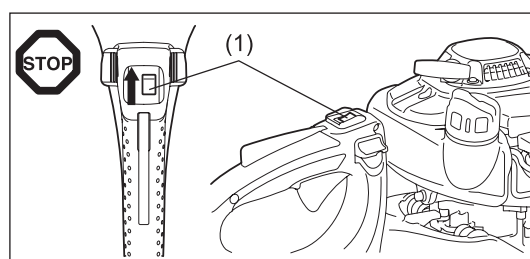
Karsta dzinēja iedarbināšana: (iedarbināšana uzreiz pēc dzinēja apturēšanas). Iedarbinot karstu dzinēju, vispirms veiciet iepriekšminēto procedūru: 1, 2, 4, 5, 6, kamēr jaudas svira (4) atrodas stāvoklī „|↑|”. Ja dzinējs nesāk darboties, atkārtojiet darbības no 1 līdz 8.

Piezīme: Nevelciet startera trosi pilnībā līdz galam. Neļaujiet startera kloķim bez kontroles ievilkties atpakaļ. Nodrošiniet, lai tas ievelkas lēnām.



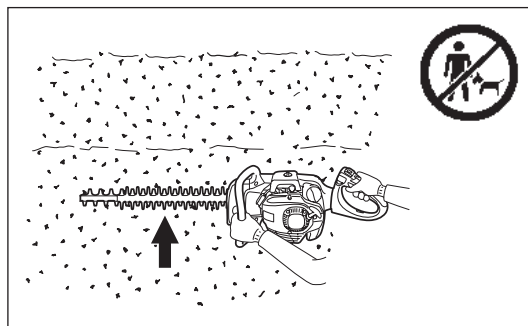
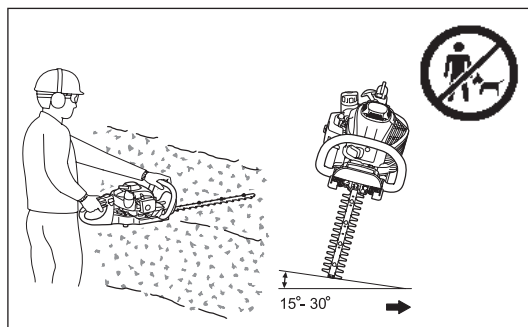
APARĀTA APTURĒŠANA

1. Pilnībā atlaidiet droseļvārsta sviru.
2. Novietojiet I-O slēdzi (1) stāvoklī „O”. Dzinēja apgriezieni samazināsies, un dzinējs apstāsies.



APARĀTA EKSPLUATĀCIJA

- Nekad nelietojiet dzīvžoga griezēju, satverot to vaļīgi.
- Nekad nepieskarieties griezējasmehānismiem, iedarbinot dzinēju, kā arī ekspluatācijas laikā.
- Dzīvžoga griezēju turiet tādā veidā, lai nepieļautu izplūdes gāzes ieelpošanu. Nekad nedarbiniet dzinēju slēgtās telpās (risks saindēties ar gāzi). Oglekļa monoksīds ir gāze bez aromāta.
- Ekspluatācijas laikā jāizmanto viss aizsargaprīkojums, piemēram, aizsargs, kas piegādāts kopā ar aparātu.
- Nekad nedarbiniet dzinēju, ja ir bojāts klusinātājs vai tā nav.
- Dzīvžoga griezēju izmantojiet tikai labā apgaismojumā un redzamībā.
- Ziemā esiet uzmanīgi slidenās vai slapjās vietās, uz ledu un sniegā (paslīdēšanas risks). Vienmēr pārliecinieties par stabilu pamatu.
- Nekad nestāviet uz kāpnēm ar iedarbinātu dzīvžoga griezēju. Stāviet ar abām kājām uz zemes.
- Nekad nekāpiet kokā ar dzīvžoga griezēju, lai veiktu griešanu.
- Nekad nestrādājiet uz nestabilām virsmām.
- Atbrīvojiet darba zonas apgabalu no smiltīm, akmeņiem, naglām, stieplēm u.c. Svešķermeņi var bojāt griezējasmehānismus.
- Pirms griešanas sākšanas ar dārza šķērēm nogrieziet zarus, kuru biezums ir 8 mm vai vairāk.
- Pirms griešanas uzsākšanas griezējasmehānismiem ir jāsasniedz pilns darba ātrums.
- Vienmēr turiet dzīvžoga griezēju cieši ar abām rokām uz rokturiem.
- Ar ciešu satvērienu ar īkšķiem un pirkstiem aptveriet rokturus.
- Pēc droseļvārsta sviras atlaišanas paiet neilgs brīdis, līdz griezējasmehānismiem apstājas.
- Nelietojiet dzīvžoga griezēju lielā tukšgaitas ātrumā. Griešanas ātrumu nevar noregulēt ar droseļvārsta kontroli, ja tukšgaitas ātrums ir pārāk liels.
- Griešanas laikā turiet dzīvžoga griezēju tā, lai asmeņi veidotu 15 – 30° leņķi ar griešanas līniju.
- Esiet īpaši uzmanīgi, kad griežat dzīvžogu, kas atrodas stieplu žoga tuvumā vai pret to.
- Ar griezējasmehānismiem nepieskarieties cietiem priekšmetiem, piemēram, stieplu žogam, akmeņiem vai zemei. Tādejādi asmeņi var saplaisāt, iepīst vai salūzt.
- Ja griezējasmehānisms saskaras ar akmeņiem vai citiem cietiem priekšmetiem, nekavējoties izslēdziet dzinēju un pārbaudiet, vai griezējasmehānisms nav bojāti. Pirms darba atsākšanas nomainiet bojātos asmeņus.
- Regulāri atpūties. Makita iesaka atpūties 10 – 20 minūtes ik pēc 50 minūtēm darba.
- Dzinēja problēmu gadījumā to nekavējoties izslēdziet.
- Lietojiet dzīvžoga griezēju, pēc iespējas mazāk trokšņojot un piesārņojot dabu. Īpaši uzmanīgi pārbaudiet, vai karburators ir pareizi iestāts un degvielas/eļļas attiecību.
- Neņemiet nost iesprūdušo, sagrieztu materiālu, kamēr asmeņi griežas. Nolieciet aparātu zemē un izņemiet atgriezumus.

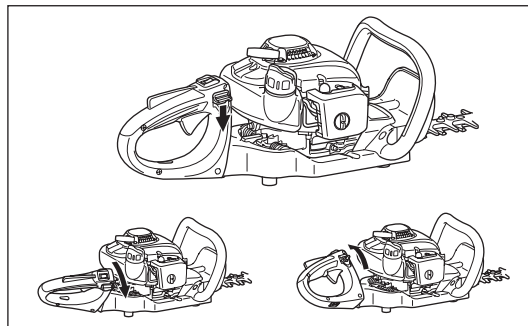


AIZMUGURES ROKTURA LEŅĶA REGULĒŠANA

Aizmugures rokturi var noliekt par 90° uz kreiso vai labo pusi un iestāstīt ik pēc 45°. Lai mainītu leņķi:

1. Nospiediet atlaišanas sviru, lai atbrīvotu aizslēgu.
2. Pagrieziet rokturi 0°, 45° vai 90° leņķī.
3. Pārbaudiet, vai atlaišanas svira atgriežas sākotnējā stāvoklī un aizslēgs nofiksējas.

Nevelciet droseļvārsta sviru, kamēr aizslēgs ir atbrīvots. Neatbrīvojiet aizslēgu ekspluatācijas laikā.



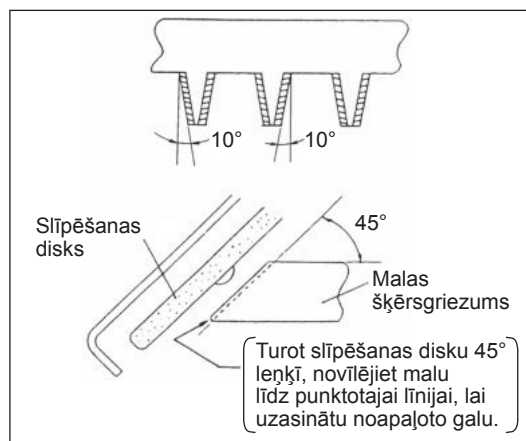
TEHNISKĀS APKOPES NORĀDĪJUMI

- Pirms griezējasmaņu tīrīšanas/nomaiņas/asināšanas vai pirms tehniskās apkopes veikšanas izslēdziet dzinēju un izvelciet aizdedzes sveces savienotāju.
- Nekad nemēģiniet iztaisnot vai sametināt bojātu griezējasmēni.
- Pēc dzinēja izslēgšanas regulāri pārbaudiet, vai griezējasmaņi nav bojāti.
- Uzturiet griezējasmaņus asus.
- Regulāri tīriet dzīvzoga griezēju un pārbaudiet, vai visas skrūves un uzgriežņi ir cieši pieskrūvēti.
- Lai nepieļautu ugunsgrēku, nekad neveiciet dzīvzoga griezēja tehnisko apkopi atklātas liesmas tuvumā.
- Rīkojoties ar asmeņiem vai tos asinot, vienmēr valkājiet ādas cimdus, jo asmeņi ir asi.

Asmens asināšana

Ja malas ir noapaļotas un vairs labi negriež, novīlējiet tikai tās daļas, kas attēlā ir ieēnotas. Nenovīlējiet augšējo un apakšējo malu kontaktvirsmas (berzes virsmas).

- Pirms vīlēšanas cieši nostipriniet asmeni un izslēdziet dzinēju, un no aizdedzes sveces noņemiet aizdedzes sveces vāciņu.
- Valkājiet cimdus, aizsargbrilles u.c.
- Nenoņemiet pārāk daudz materiāla. Tādejādi tiek noņemts cietais slānis, un lietojot asmeņus, tie ļoti ātri paliek neasi.



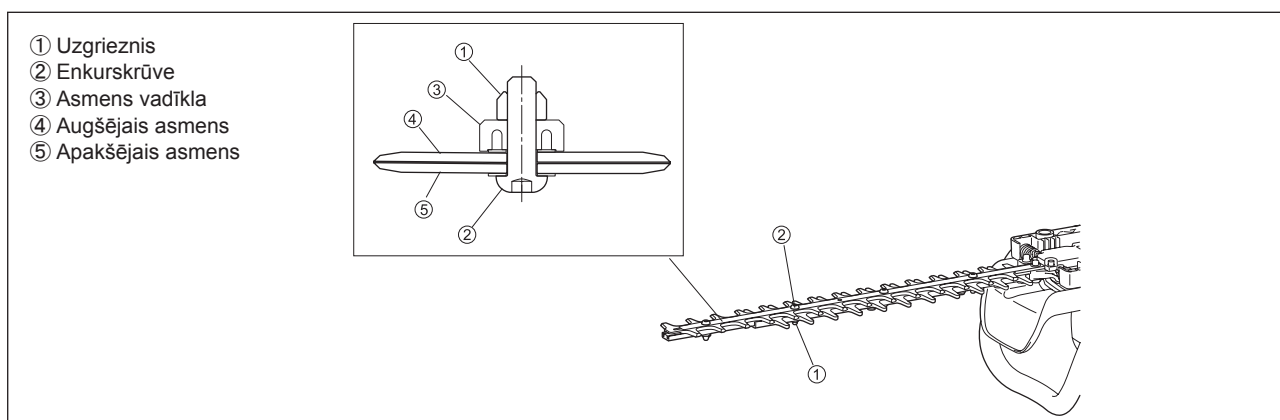
Asmens attāluma regulēšana

Augšējie un apakšējie asmeņi nodilst. Ja nevarat iegūt tīru griezumu arī tad, ja asmeņi ir pietiekami asi, noregulējiet attālumu, kā šeit norādīts.

1. Atskrūvējiet skrūves un noņemiet neaso pagarinājumu.
2. Ar gala atslēgu vai vienkāršo uzgriežņatslēgu atskrūvējiet uzgriežņi (1).
3. Ar sešstūru uzgriežņatslēgu viegli pieskrūvējiet enkurskrūvi (2), līdz tā apstājas, un pēc tam to atskrūvējiet par vienu ceturtdaļu apgrieziena.
4. Turot enkurskrūvi (2), pieskrūvējiet uzgriežņi (1).
5. Asmeņu berzes virsmas pārklājiet ar zemas viskozitātes eļļu.
6. Iedarbiniet dzinēju un minūti to darbiniet, atverot un aizverot droseļvārstu.
7. Nosakiet laiku, kas nepieciešams, lai asmeņi apstātos pēc droseļvārsta atlaišanas. Ja tas ir divas sekundes vai ilgāks, apturiet dzinēju un atkārtojiet darbības no 2 līdz 7.
8. Apturiet dzinēju un pieskarieties asmens virsmai. Ja tā pieskaroties nav pārāk karsta, noregulēts ir pareizi. Ja virsma ir pārāk karsta, nedaudz atskrūvējiet enkurskrūvi (2) un atkārtojiet darbības no 6 līdz 8.
9. Piestipriniet neaso pagarinājumu, pēc tam pieskrūvējiet skrūves.

PIEZĪME: Pirms regulēšanas apturiet dzinēju un pagaidiet, līdz asmeņi apstājas.

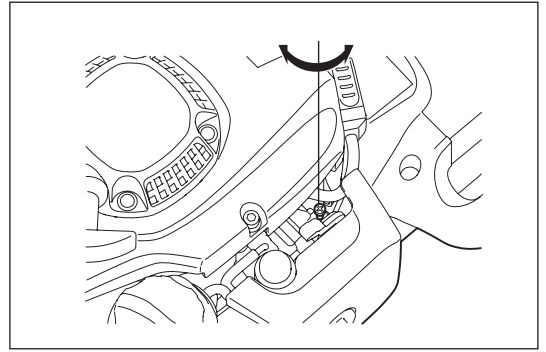
Asmeņiem ap skrūvi (2) ir iešķēlums. Ja kāda iešķēluma galā atklājat putekļus, izfriet tos.



Tukšgaitas ātruma pārbaude un regulēšana

Griezējasmeņi nedrīkst griezties dzinēja tukšgaitas ātrumā.

- Tukšgaitas ātrums jāiestata uz 3 000 min⁻¹ (apgr./min).
 - Ja nepieciešams, noregulējiet tukšgaitas skrūvi (griezējasmeņi nedrīkst griezties dzinēja tukšgaitas ātrumā).
 - Griezējasmeņi griežas tukšgaitas ātrumā – pagrieziet tukšgaitas skrūvi pretēji pulksteņrādītāja virzienam, lai samazinātu tukšgaitas ātrumu.
 - Dzinējs apstājas tukšgaitas ātrumā – pagrieziet tukšgaitas skrūvi pulksteņrādītāja virzienā, lai palielinātu tukšgaitas ātrumu.
- Ja pēc regulēšanas griezējasmeņi joprojām darbojas tukšgaitas ātrumā, sazinieties ar tuvāko pilnvaroto servisa pārstāvi.
- Sajūgam jāiedarbojas pie 3 750 min⁻¹ (apgr./min) vai lielākiem apgriezieniem.
 - Pārbaudiet I-O slēdža, atbloķēšanas sviras un droseljvārsta sviras darbību.



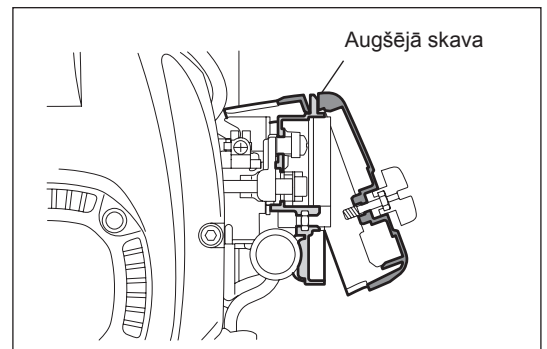
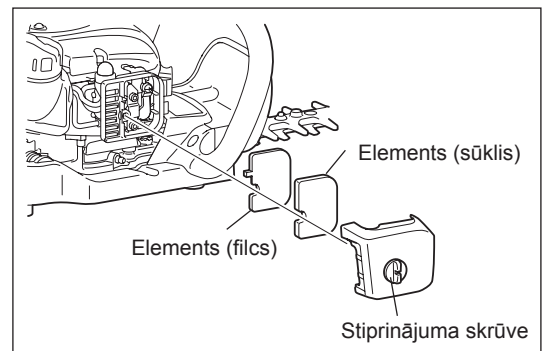
Gaisa attīrītāja tīrīšana



BĪSTAMI: Viegli uzliesmojoši priekšmeti stingri aizliegti!

Gaisa attīrītāju pārbaudiet un tīriet katru dienu vai ik pēc 10 ekspluatācijas stundām.

- Pilnībā aizveriet jaudas sviru, to pagriežot, un nenotraiņiet karburatoru ar putekļiem vai neītrumiem.
- Atskrūvējiet stiprinājuma skrūvi.
- Pavelciet gaisa attīrītāja vāka aizmuguri un pārvietojiet to uz priekšu, lai noņemtu.
- Ja eļļa nokļūst uz elementa (sūkļa), spēcīgi to izspiediet.
- Ja sūklis ir ļoti netīrs:
 - 1) noņemiet elementu (sūkli), izmērcējiet to siltā ūdenī vai ūdenī šķīstošā neitrālā mazgāšanas līdzeklī, tad to pilnībā izžāvējiet;
 - 2) notīriet elementu (filcu) ar benzīnu, tad to pilnībā izžāvējiet.
- Pirms elementa pievienošanas atpakaļ pārbaudiet, vai tas ir pilnībā izžuvis. Ja to pilnībā neizžāvēsiet, dzinēju būs grūti iedarbināt.
- Ar lupatiņu notīriet eļļu visapkārt gaisa attīrītāja korpusam.
- Tiklīdz esat notīrījuši eļļu, pievienojiet attīrītāja korpusu un piestipriniet to ar stiprinājuma skrūvēm (montējot sākumā piestipriniet augšējo skavu).



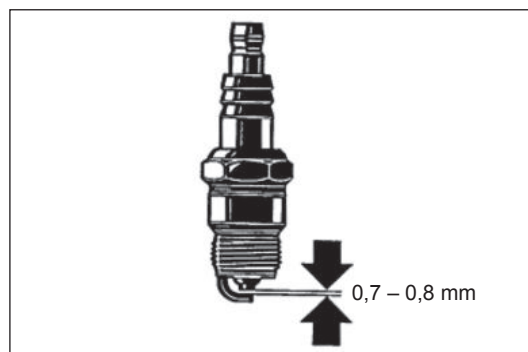
Norādījumi attiecībā uz gaisa attīrītāja elementiem

- Tīriet elementus vairākas reizes dienā, ja uz tiem atrodas pārāk daudz putekļu.
- Ja turpināsiet ierīci ekspluatēt, neiztīrot eļļu no elementiem, tad eļļa, kas atrodas gaisa attīrītājā, var iztecēt ārā, kā rezultātā tā būs sabojāta.

Aizdedzes sveces pārbaude

Aizdedzes sveci pārbaudiet un tīriet katru dienu vai ik pēc 8 ekspluatācijas stundām.

- Izmantojiet tikai komplektācijā atrodamo universālo uzgriežņatslēgu, lai noņemtu vai ieliktu aizdedzes sveci.
- Attālumam starp abiem aizdedzes sveces elektrodiem jābūt 0,7 – 0,8 mm. Ja attālumam ir pārāk liels vai pārāk mazs, noregulējiet to. Ja aizdedzes svece ir aizsērējusi ar oglekli vai arī netīra, pilnībā to iztīriet vai nomainiet pret jaunu. Nomainiet pret precīzi tādu pašu aizdedzes sveci.



Smērvielas un eļļas ievadīšana

- Ik pēc 50 ekspluatācijas stundām caur eļļošanas nipelī ievadiet smērvielu (Shell Alvania 3 vai ekvivalentu).

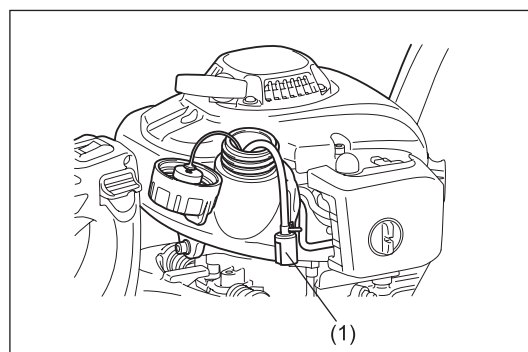
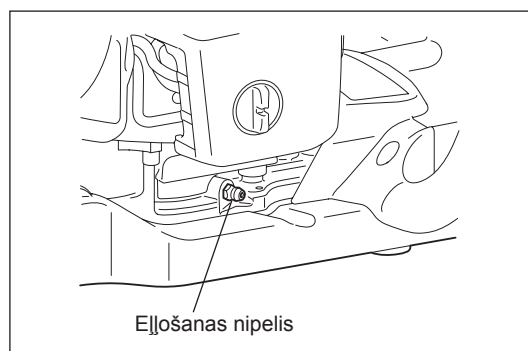
PIEZĪME: Ievērojiet norādīto smērvielas ievadīšanas laiku un daudzumu. Citādāk nepietiekams smērvielas daudzums var izraisīt problēmas aparātam.

Degvielas filtra tīrīšana (iesūkšanas galva degvielas tvertnē)

BRĪDINĀJUMS: Viegli uzliesmojoši priekšmeti stingri aizliegti!

Degvielas filtru pārbaudiet un tīriet katru mēnesi vai ik pēc 50 ekspluatācijas stundām.

- Iesūkšanas galvas filca filtrs (1) ir paredzēts karburatorā ievadītās degvielas filtrēšanai.
- Regulāri apskatiet filca filtru.
- Lai pārbaudītu filca filtru, noņemiet tvertnes vāciņu, un, izmantojot stieples cilpu, izvelciet iesūkšanas galvu no tvertnes atvērums. Nomainiet filca filtru, ja tas ir sacietējis, piesārņots vai aizsērējis.
- Nomainiet filtru vismaz reizi ceturksnī, lai nodrošinātu pietiekamu degvielas padevi karburatoram. Citādāk nepietiekama degvielas padeve izraisīs dzinēja iedarbināšanas kļūmi un ierobežotu maksimālo ātrumu.



Degvielas caurules nomaiņa

UZMANĪBU: Viegli uzliesmojoši priekšmeti stingri aizliegti!

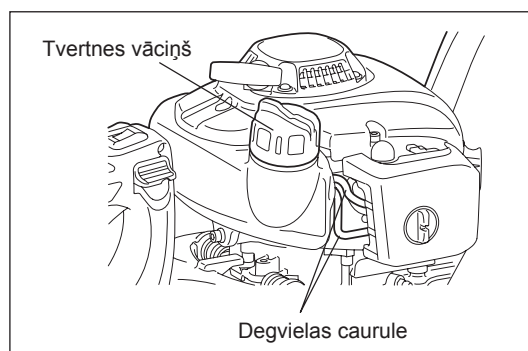
Degvielas cauruli pārbaudiet un tīriet katru dienu vai ik pēc 10 ekspluatācijas stundām.

Degvielas cauruli nomainiet ik pēc 200 ekspluatācijas stundām vai katru gadu neatkarīgi no ekspluatācijas biežuma. Citādāk degvielas noplūde var izraisīt ugunsgrēku.

Ja pārbaudes laikā atklājat noplūdi, cauruli nekavējoties nomainiet.

Tvertnes vāciņa nomaiņa

- Ja tvertnes vāciņš ir deformēts vai bojāts, nomainiet to.
- Tvertnes vāciņš laika gaitā nodilst. Nomainiet to ik pēc diviem vai trīs gadiem.



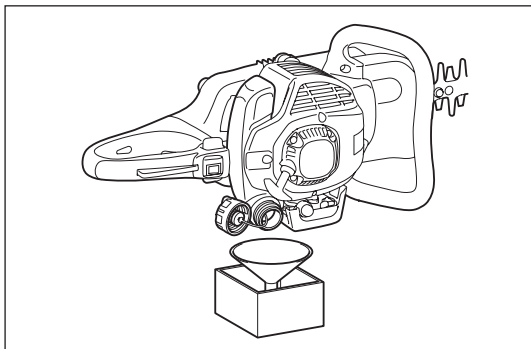
Lai veiktu tehniskās apkopes vai remonta darbus, kas nav norādīti šajā lietošanas rokasgrāmatā, sazinieties ar vietējo Makita pilnvaroto servisa centru.

Ikdienas pārbaude un tehniskā apkope

Lai ekspluatācijas laiks būtu ilgs un lai nesabojātu aparātu, regulāri jāveic šādas tehniskās apkopes darbības.

- Pirms ekspluatācijas
 - Pārbaudiet, vai ierīcei nav vajīgu skrūvju vai netrūkst kādas detaļas. Īpaši pārbaudiet griezējasmens skrūvju ciešumu.
 - Pārbaudiet, vai nav aizsprostoti dzesēšanas gaisa plūsmas ceļi un cilindra ribas. Ja nepieciešams, iztīriet šīs detaļas.
 - Iztīriet degvielas tvertni un pārbaudiet, vai tajā nav degvielas noplūde vai svešķermeņi.
- Pēc ekspluatācijas
 - Notīriet dzīvzoga griezēja ārpusi un pārbaudiet, vai nav bojājumu.
 - Iztīriet gaisa filtru. Ja strādājat sevišķi putekļainos apstākļos, filtru tīriet vairākas reizes dienā.
 - Pārbaudiet, vai asmeņiem nav bojājumu un pārliecinieties, vai tie ir cieši piestiprināti.

GLABĀŠANA



- Glabājot aparātu ilgstoši, no degvielas tvertnes un karburatora iztecīniet degvielu šādā veidā: No degvielas tvertnes iztecīniet visu degvielu.
- Izņemiet aizdedzes sveci un katrā aizdedzes sveces spraugā iepiliniet dažus eļļas pilienus. Pārbaudiet, vai eļļas kārtiņa nosedz dzinēja iekšpusi, un ieskrūvējiet aizdedzes sveci.
- Ar eļļā samitrinātu lupatiņu no dzinēja ārpusē notīriet netīrumus vai putekļus, un novietojiet aparātu glabāšanai pēc iespējas sausākā vietā.

TEHNISKĀS APKOPES GRAFIKS

Pēc katras uzpildīšanas reizes	Droseļvārsta svira I-O slēdzis	Pārbaudiet funkcionēšanu Pārbaudiet funkcionēšanu
Pirms katras lietošanas reizes	Dzinējs, skrūves un uzgriežņi Gaisa filtrs Dzesēšanas gaisa ceļš Griezējinstrumenti Tukšgaitas ātrums Degvielas tvertne	Vizuāli pārbaudiet, vai nav bojājumu un skrūvju ciešumu Pārbaudiet vispārējo stāvokli un drošību Iztīriet Iztīriet Pārbaudiet, vai nav bojājumu un vai ir uzasināts Pārbaudiet (griezējinstrumenti nedrīkst kustēties) Pārbaudiet un iztīriet
Ik pēc 50 stundām	Pievada korpuss	Ievadiet smērvielu
Katru nedēļu	Aizdedzes svece	Pārbaudiet un, ja nepieciešams, nomainiet
Katru gadu	Degvielas caurule	Nomainiet
Divreiz gadā	Tvertnes vāciņš	Nomainiet
Pirms ilgstošas glabāšanas	Degvielas tvertne Karburators Iesūkšanas galva	Iztukšojiet un iztīriet Darbiniet, kamēr dzinējam beidzas degviela Nomainiet

BOJĀJUMU NOVĒRŠANA

Bojājums	Sistēma	Pazīmes	Cēlonis
Dzinējs nesāk darboties vai sāk darboties ar grūtībām	Aizdedzes sistēma	Aizdedzes svece uzstādīta	Bojāta degvielas sistēma vai kompresijas sistēma, mehānisks bojājums
		Nav aizdedzes sveces	I-O slēdzis ieslēgts, bojāti vadi vai īsslēgums, bojāta aizdedzes svece vai tās savienotājs, bojāts aizdedzes modulis
	Degvielas padeve	Degvielas tvertne uzpildīta	Nepareiza droseļvārsta pozīcija, bojāts karburators, neīra iesūkšanas galva (gāzes līnijas filtrs), saliekta vai traucēta degvielas padeves līnija
	Kompresija	Dzinēja iekšpusē	Bojāta cilindra apakšējā starplika, bojātas kloķvārpstas blīves, bojāts cilindrs vai virzuļa gredzeni
		Dzinēja ārpusē	Nepareizs blīvējums vai aizdedzes svece
	Mehānisks bojājums	Starteris nesāk darboties	Salauzta startera atspere, bojātas detaļas dzinēja iekšpusē
Degvielas tvertne uzpildīta, aizdedzes svece uzstādīta			Piesārņots karburators – iztīriet to
Silta dzinēja iedarbināšanas problēmas			
Dzinējs sāk darboties, taču uzreiz noslāpst	Degvielas padeve	Tvertne uzpildīta	Nepareizi noregulēti tukšgaitas apgrīzieni, piesārņota iesūkšanas galva vai karburators
			Bojāta degvielas tvertnes atvere, traucēta degvielas padeves līnija, bojāti vadi vai I-O slēdzis
Pārāk maza jauda un efektivitāte	Problēmas var būt vairākās sistēmās vienlaicīgi	Dzinējs darbojas tukšgaitā	Piesārņots gaisa filtrs, karburators, aizsērējis klusinātājs, aizsērējis izplūdes ceļš cilindrā

Lietuvių kalba

(Originali instrukcija)

Ačiū, kad įsigijote MAKITA krūmapjovę. Mes džiaugiamės, galėdami rekomenduoti jums šią MAKITA krūmapjovę, kuri buvo kuriama ir tobulinama daugelį metų, pasitelkiant ilgametę patirtį ir žinias.

Krūmapjovės modeliai EH5000W, EH6000W ir EH7500W pasižymi naujausių technologijų privalumais bei ergonominiu dizainu; jos yra lengvos, patogios, kompaktiškos ir yra profesionalūs įrenginiai, skirti labai įvairiems darbams atlikti.

Perskaitykite, perpraskite ir vadovaukitės šia informacine knygele, kurioje išsamiai aprašomos įvairios savybės, įrodančios išskirtinį įrankio darbą. Šios žinios leis jums saugiai gauti geriausių, kokie tik įmanomi, rezultatų naudojant MAKITA krūmapjovę.



Turinys

Puslapis

Ženkilai	73
Saugos instrukcija	74
Techniniai duomenys	77
Dalių sąrašas	78
Degalai/pildymas	79
Atsargumo priemonės rieš pradėdant darbą	80
Įrankio įjungimas	81
Įrankio išjungimas	81
Įrankio naudojimas	82
Galinės rankenos pakreipimo kampo nustatymas	82
Techninės priežiūros instrukcija	83
Saugojimas	86
Techninės priežiūros planas	86
Gedimų nustatymas	86

ŽENKLAI

Skaitant šią naudojimo instrukciją, labai svarbu suprasti šiuos ženklus.

	ĮSPĖJIMAS/PAVOJUS		Degalų ir alyvos mišinys
	Perskaitykite, supraskite ir vadovaukitės Naudojimo instrukcija		Rankinis variklio užvedimas
	Draudžiama		Avarinis išjungimas
	Rūkyti draudžiama		Pirmoji pagalba
	Degti atvirą liepsną draudžiama		Perdirbimas
	Privaloma mūvėti apsaugines pirštines		ĮJUNGTI/PALEISTI
	Darbo vietoje neturi būti žmonių ir kambarinių gyvūnelių		IŠJUNGTAI/SUSTABDYTI
	Dėvėkite apsauginius akinius ir ausų apsaugas		CE ženklas

SAUGOS INSTRUKCIJA

Bendroji instrukcija

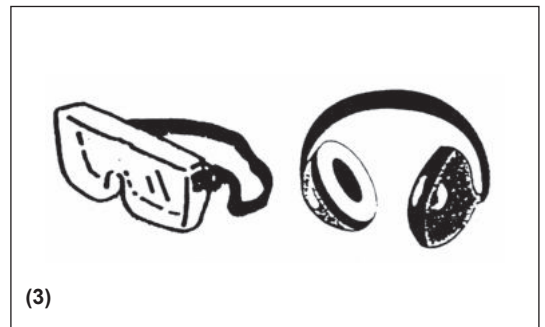
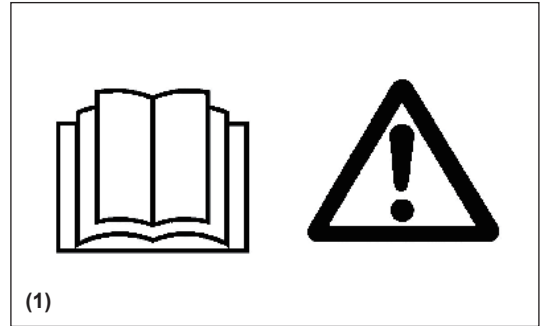
- ŠIS ĮRANKIS GALI SĄLYGOTI SUNKIUS SUŽEIDIMUS. Atidžiai perskaitykite šią instrukciją, kaip tinkamai naudoti, paruošti, techniškai prižiūrėti, įjungti ir išjungti įrankį. Nuodugniai susipažinkite su visais valdikliais ir kaip tinkamai naudoti šį įrankį. (1)
- Šią krūmapjavę rekomenduojama skolinti tik tiems žmonėms, kurie įrodo turį patirties naudoti krūmapjoves. Skolindami įrenginį, visuomet atiduokite ir jo naudojimo instrukciją.
- Pirmieji vartotojai privalo paprašyti savo pardavimo atstovo pateikti pagrindinius nurodymus, kad sužinotų, kaip naudoti variklio varomą krūmapjavę.
- Vaikams ir jaunesniems nei 18 metų asmenims negalima naudoti krūmapjovės. Tačiau vyresni nei 16 metų asmenys, prižiūrimi kvalifikuoto specialisto, gali naudoti šį įrenginį mokydami, kaip juo naudotis.
- Naudodami šią krūmapjavę, būkite labai atsargūs ir atidūs.
- Naudokite krūmapjavę tik būdami geros fizinės būklės. Visus darbus atlikite ramiai ir atidžiai. Vartotojai privalo prisiimti atsakomybę už kitus.
- Niekada nenaudokite krūmapjovės, jei esate apsvaigę nuo alkoholio arba narkotikų, arba jei jaučiatės pavargę ar sergantys. (2)

Numatytoji įrenginio paskirtis

- Krūmapjavė skirta tik krūmams ibei gyvatvorėms genėti ir jos negalima naudoti jokiame kitame tikslui. Saugokite krūmapjavę.

Asmeninės saugos priemonės

- Reikia dėvėti tinkamus darbinius drabužius, t.y., jie turi būti prigludę, bet neaptempti. Nedėvėkite papuošalų arba plačių drabužių, kurie galėtų įsipainioti krūmuose, krūmynuose arba įrankyje.
- Norint išvengti akių, rankų ar kojų sužeidimų, taip pat apsaugoti klausą, naudojant šį prietaisą, naudojant krūmapjavę, būtina dėvėti apsaugines priemones ir apsauginius drabužius.
- Naudodami šią krūmapjavę, visuomet dėvėkite apsauginius akinius arba skaidrų antveidį, kad išvengtumėte sužeidimų. (3)
- Dėvėkite tinkamas, nuo triukšmo apsaugančias priemones, kad išvengtumėte klausos pablogėjimo: ausines, ausų kištukus ir pan. (3)
- Mes primygtinai rekomenduojame vartotojams dėvėti darbo kombinezonus. (4)
- Specialios pirštinės, pagamintos iš storos odos, yra būtina saugos priemonių dalis – jas visuomet būtina mūvėti naudojant šią krūmapjavę. (4)
- Naudodami krūmapjavę, visuomet avėkite tvirtus batus neslidžiais padais. Jie apsaugo kojas nuo sužeidimų ir užtikrina tinkamą pusiausvyrą. (4)



Krūmaplovės įjungimas

- Įsitinkite, kad vaikai ar kiti žmonės būtų bent per 15 metrų (5) nuo darbo vietos, taip pat atkreipkite dėmesį, ar netoliese nėra kokių nors gyvūnų.
- Prieš pradėdami naudoti krūmaplovę, patikrinkite, ar ją saugu naudoti.
- Patikrinkite, ar saugiai veikia droselinės sklendės svirtis. Reikia patikrinti droselinės sklendės svirtį, ar ji veikia sklandžiai ir lengvai. Patikrinkite, ar tinkamai veikia droselinės sklendės fiksatorius. Patikrinkite, ar rankenos yra švarios ir sausos; taip pat patikrinkite, ar tinkamai veikia įjungimo/išjungimo jungiklis. Rankenos turi būti netepaluotos ir nesuteptos degalais.

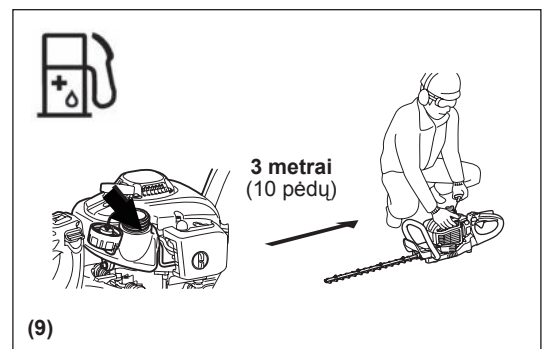
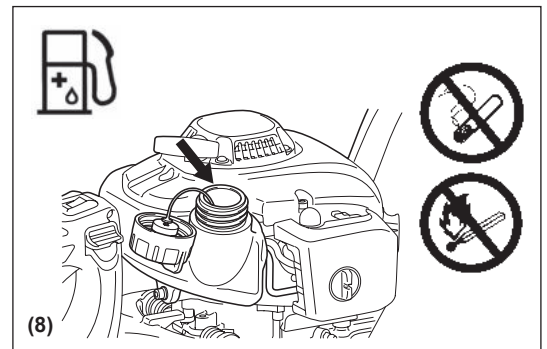
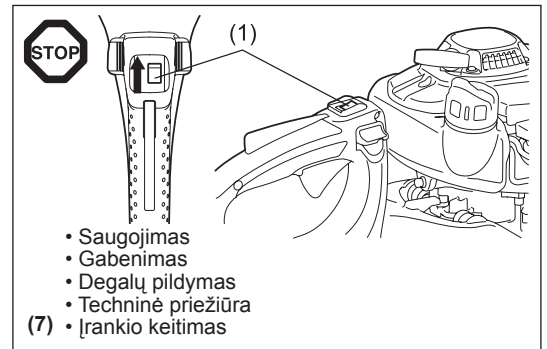
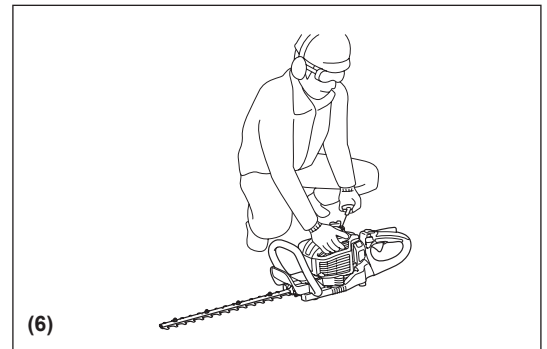
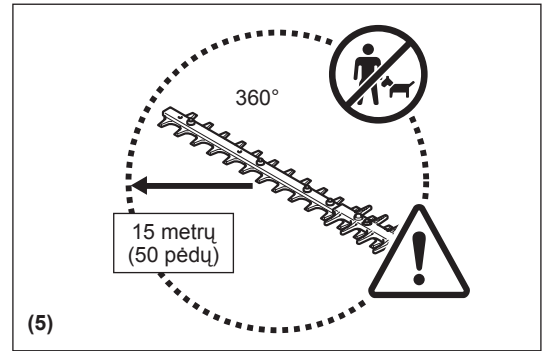
Naudokite krūmaplovę tik pagal instrukciją.

Nenaudokite jokių kitų būdų varikliui užvesti (6)!

- Naudokite krūmaplovę tik nurodytiems darbams atlikti.
- Krūmaplovę junkite tik tuomet, kai ji bus visiškai sumontuota. Šią krūmaplovę galima naudoti tik tuomet, kai uždėti visi atitinkami jos priedai!
- Prieš įjungdami, įsitinkite, ar pjovimo peilis neličia jokių objektų, pavyzdžiui, šakų, akmenų ir pan.
- Jeigu įvyktų kokių nors variklio gedimų, nedelsdami išjunkite variklį.
- Dirbant reikia pirštais apkabinti bei tvirtai laikyti ir priekinę, ir galinę rankenas. Rankenos turi būti švarios, sausos, neištepotos sakais, alyva arba tepalu. **Visuomet tvirtai, saugiai stovėkite ant žemės.**
- Naudokite tik lauke.
- Visada stebėkite aplinką ir būkite budrūs galimiems pavojams, kurių galite neišgirsti dėl įrankio keliamo triukšmo.
- Naudokite krūmaplovę tokiu būdu, kad neįkvėptumėte išmetamų dujų. Niekomet nejunkite variklio užradose patalpose (pavojus uždusti arba apsinuodyti nuodingomis dujomis). Anglies monoksidas yra bekvapės dujos. Būtinai užtikrinkite tinkamą ventiliaciją.
- Padėdami ir palikdami krūmaplovę be priežiūros, visuomet išjunkite variklį. Padėkite ją į saugią vietą, kad ji nekeltų pavojaus kitiems arba nesukeltų gaisro, uždegdama degias medžiagas, arba pati nebūtų sugadinta.
- Niekada nedėkite krūmaplovės ant sausos žolės arba ant kokių nors kitų degių medžiagų.
- Variklyje ir duslintuve neturi būti purvo, lapų ar pernelyg daug tepalo, kad nekiltų gaisras.
- Niekomet nejunkite variklio, jei sugedęs jo išmetimo dujų duslintuvas.
- Nešdami įrankį, išjunkite jį (7).
- Išjunkite variklį:
 - prieš pašalindami užsikimšimą;
 - prieš tikrindami, atlikdami techninės priežiūros darbus ar dirbdami su įrenginiu.
- Veždami krūmaplovę automobilyje arba sunkmežimyje, saugiai ją padėkite, kad neištekėtų degalai.
- Jei vežate krūmaplovę, visuomet visiškai ištuštinkite jos degalų baką, kad neištekėtų degalai.
- Veždami arba saugodami įrankį, visada uždėkite apsauginį pjovimo prietaiso gaubtą.

Kaip pripilti degalų

- Pildami į baką degalų (7), išjunkite variklį; nepilkite degalų prie atviros liepsnos (8) šaltinių ir nerūkykite.
- Nepilkite degalų į baką, kai variklis yra karštas arba veikia.
- Stenkitės, kad ant odos nepakliūtų naftos produktų. Neįkvėpkite degalų garų. Pildami degalus, visuomet mūvėkite apsaugines pirštines. Reguliariais keiskite ir skalbkite apsauginius drabužius.
- Stenkitės neišlieti degalų ar alyvos, kad neužterštumėte dirvos (saugokite aplinką). Išlieję degalų, tuoj pat nuvalykite krūmaplovę. Išdžiovinkite skudurus, kuriais nušluostėte degalus, gerai vėdinamoje vietoje, paskui juos išmeskite. Kitaip gali įvykti savaiminis užsidegimas.
- Stenkitės, kad degalų nepakliūtų ant drabužių. Jeigu apsilietumėte degalais (tai pavojinga), tuoj pat persirenkite.
- Reguliariai tikrinkite degalų dangtelį, kad įsitikintumėte, jog jį galima saugiai ir sandariai užsukti.
- Kruopščiai užsukite degalų bako dangtelį. Variklį užveskite atokiai nuo tos vietos, kurioje pylėte degalų (bent per 3 metrus nuo degalų pildymo vietos) (9).
- Niekomet nepildykite degalų uždaroje patalpose. Degalų garai kaupiasi ties žemės paviršiumi (kyla sprogimo pavojus).
- Degalus vežkite ir laikykite tik aprobuotuose bakuose. Užtikrinkite, kad saugomi degalai būtų laikomi vaikams nepasiekiamoje vietoje.
- Maišydami benzina su dviejų taktų varikliams skirta alyva, naudokite tik tokį benzina, kuriame nėra etalonio arba metanolio (alkoholio rūšių). Tai padės išvengti žalos degalų vamzdeliams ir kitoms variklio dalims.



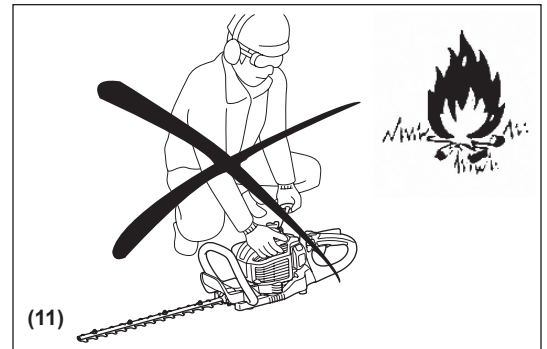
Naudojimo būdas

- Dirbdami, įrankį visada laikykite už rankenų, abejomis rankomis.
- Naudokite šią krūmapjovę tik esant geram apšvietimui ir matomumui. Šaltųjų sezonų metu saugokitės slidžių arba šlapių vietų, ledo ir sniego (pavojus paslysti). Visuomet tvirtai stovėkite ant žemės.
- Niekada nedirbkite stovėdami ant nestabilių paviršių arba stačių nuokalnių.
- Niekada nenaudokite krūmapjovės stovėdami ant kopėčių.
- Niekada nelipkite į medžius, kad nupjautumėte šakas krūmapjove.
- Norėdami sumažinti pavojų suklypti ir prarasti valdymą, naudodami įrankį, neikite atbulomis.
- Prieš atlikdami įrankio valymo arba techninės priežiūros darbus, taip pat prieš keisdami dalis, visada išjunkite variklį.
- Nenaudokite įrankio, kurio pjovimo įtaisas yra sugadintas arba pernelyg nusidėvėjęs.



Techninės priežiūros instrukcija

- Tausokite gamtą. Naudokite krūmapjovę, keldami kuo mažiau triukšmo, ir kuo mažiau teršdami aplinką. Ypač patirkinkite, ar tinkamai nustatytas karbiuratorius.
- Reguliariai valykite krūmapjovę ir tikrinkite, ar tvirtai priveržti visi varžtais ir veržlės.
- Niekada nedarykite techninės priežiūros darbų ir nelaikykite krūmapjovės šalia atviros liepsnos, ten, kur kyla kibirkščių ir pan. (11).
- Prieš padėdami krūmapjovę, ištuštinkite degalų baką.
- Niekada nelaikykite krūmapjovės šalia atviros liepsnos, kad nekiltų gaisras.
- Krūmapjovę laikykite gerai vėdinamoje, aukštoje arba rakinamoje, vaikams neprieinamoje vietoje.
- Nebandykite taisyti šio įrankio, nebent būtumėte tinkamai kvalifikuoti, kad galėtumėte tai daryti.



Laikykitės atitinkamų nelaimingų atsitikimų prevencijos nurodymų, kuriuos pateikia atitinkamos prekybos asociacijos ir draudimo bendrovės.

Nedarykite jokių krūmapjovės modifikacijų, nes tai gali kelti pavojų jūsų saugumui.

Vartotojo atliekami techninės priežiūros ir remonto darbai yra ribojami; vartotojas gali atlikti tik tuos darbus, kurie yra nurodyti šioje naudojimo instrukcijoje. Visus kitus darbus privalo atlikti įgaliotieji techninės priežiūros atstovai. Naudokite tik originalias, bendrovės „MAKITA“ arba jos įgaliotųjų gamyklos filialų pagamintas ir tiekiamas atsargines dalis ir priedus. Naudojant neapbruotus priedus ir įrankius padidėja nelaimingų atsitikimų ir sužeidimų pavojus. „MAKITA“ neprisiima atsakomybės už nelaimingus atsitikimus arba žalą, kuri atsiranda naudojant neapbruotus priedus.

Pirmoji pagalba

Netoliese visuomet turėtumėte pirmosios pagalbos rinkinį, atitinkantį standartą DIN 13164, kuriuo galėtumėte pasinaudoti nelaimingo atsitikimo atveju. Jei panaudojote kokių nors pirmosios pagalbos priemonių, tuoj pat papildykite rinkinį.

Kreipdamiesi pagalbos, pateikite šią informaciją:

- Vieta, kur įvyko nelaimingas atsitikimas
- Kas atsitiko
- Sužeistų asmenų skaičius
- Sužeidimų pobūdis
- Jūsų vardas, pavardė



Pakuotė

„MAKITA“ krūmapjovė pristatoma kartoninėje dėžėje, apsaugančiose gaminį nuo sugadinimo gabenimo metu. Kartonas yra pagrindinė žaliava, todėl jį yra pakartotinai panaudojama arba tinkama perdirbti (popieriaus atliekų perdirbimas).



EB ATITIKTIES DEKLARACIJA

Mes, „Makita Corporation“ bendrovė, būdami atsakingas gamintojas, pareiškiame, kad šis „Makita“ mechanizmas(-ai):

Mechanizmo paskirtis: Benzininė krūmapjovė

Modelio Nr./ tipas: EH5000W, EH6000W, EH7500W

Techniniai duomenys: žr. skyrių „TECHNINIAI DUOMENYS“

priklauso serijinei gamybai ir

atitinka šią Europos direktyvą(-as):

2000/14/EB, 2006/42/EB

ir yra pagamintas pagal šį standartą(-us) arba normatyvinius dokumentus:

EN ISO 10517

Techninė dokumentacija saugomas pas mūsų įgaliotąjį atstovą Europoje, kuris yra:

Makita International Europe Ltd.

Michigan Drive, Tongwell, Milton Keynes, Bucks MK15 8JD, England (Anglija)

Atitikties įvertinimo procedūra, būtina pagal Tarybos Direktyvą 2000/14/EB, atlikta atsižvelgiant į V priedą.

Nustatytas garso galios lygis: EH5000W 104,0 dB (A), EH6000W 104,2 dB (A), EH7500W 104,8 dB (A)

Garantuotas garso galios lygis: visiems modeliams 106 dB (A)

2010 m. gruodžio 1 d.



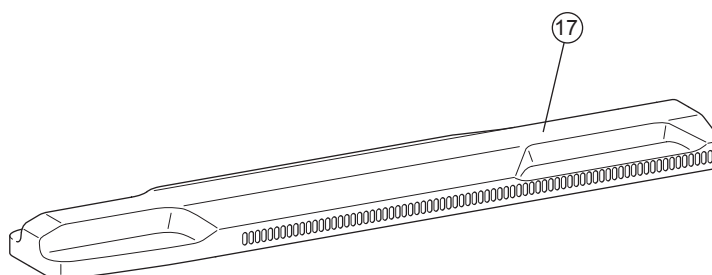
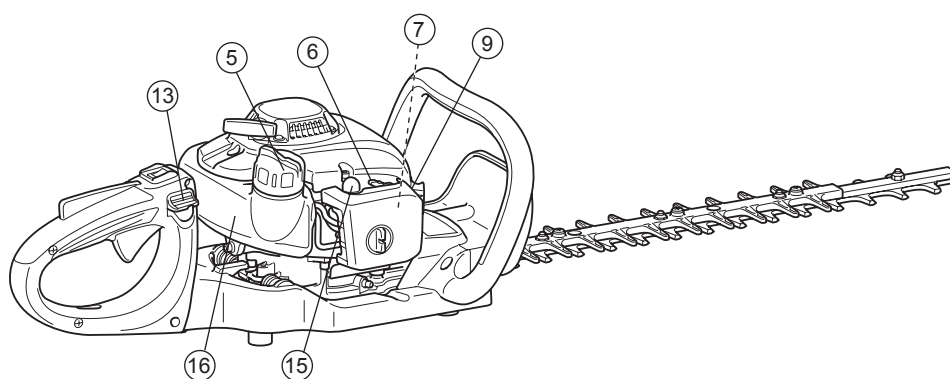
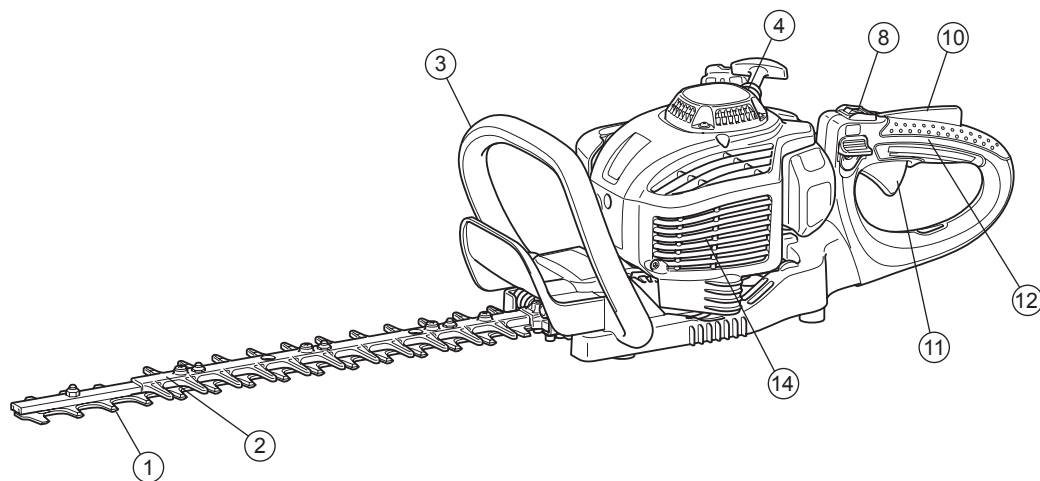
Tomoyasu Kato
Direktorius

Makita Corporation
3-11-8, Sumiyoshi-cho,
Anjo, Aichi, 446-8502, JAPAN

TECHNINIAI DUOMENYS

Modelis			EH5000W	EH6000W	EH7500W	
Matmenys (l x P x A)	mm		1 014 x 262 x 216	1 119 x 262 x 216	1 259 x 262 x 216	
Svoris (be pjovimo gaubto)	kg		4,8	5,0	5,2	
(Degalų bako) talpa	l		0,4			
Variklio litražas	cm ³		22,2			
Pjovimo ilgis	mm		483	588	728	
Maksimali variklio galia	kW		0,68			
Taktai per minutę	min ⁻¹		4 270			
Tuščioji eiga	min ⁻¹		3 000			
Sankabos įjungimo greitis	min ⁻¹		4 000			
Karbiuratoriaus tipas	tipas		WALBRO WYL			
Uždegimo sistema	tipas		Degalų uždegimas			
Uždegimo žvakė	tipas		NGK CMR6A			
Elektrodo laisvumas	mm		0,7 - 0,8			
Vibracija pagal EN ISO 10517	Dešinioji rankena	$a_{hv\ eq}$	m/s ²	2,5	2,7	2,3
		Paklaida K	m/s ²	1,3	1,1	1,6
	Kairioji rankena	$a_{hv\ eq}$	m/s ²	2,5	2,8	2,3
		Paklaida K	m/s ²	1,3	1,1	1,2
Triukšmas pagal EN ISO 10517	Garso slėgio lygis		dB (A)	93,0	92,8	93,9
		Paklaida K	dB (A)	1,4	2,2	1,2
	Garso galios lygis		dB (A)	103,0	103,2	103,8
		Paklaida K	dB (A)	2,1	1,5	1,3
Degalų mišinio santykis (degalai: variklio alyva)	Originaliems „MAKITA“ dviejų taktų varikliams skirta alyva		50 : 1			
	Kitų gamintojų dviejų taktų varikliams skirta alyva		25 : 1			
Perdavimo skaičius			9 : 43			

DALIŲ SĄRAŠAS



	DALIŲ SĄRAŠAS		DALIŲ SĄRAŠAS		DALIŲ SĄRAŠAS
1	Juostinis peilis	7	Karbiuratorius (nepavaizduotas)	13	Atlaisvinimo svirtis
2	Tiesi ilginimo dalis	8	I-O jungiklis (įjungimas-išjungimas)	14	Duslintuvas
3	Priekinė rankena	9	Uždegimo žvakė	15	Užpildymo pompa
4	Rankiniu būdu užvedamas starteris	10	Blokavimo svirtis	16	Degalų bakas
5	Degalų bako dangtelis	11	Droselinės sklendės svirtis	17	Pjovimo peilio gaubtas
6	Droselinės sklendės svirtis	12	Galinė rankena		

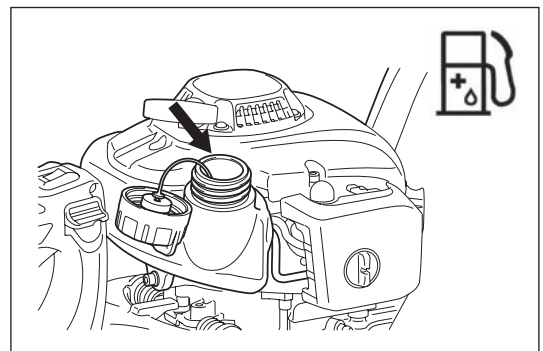
Degalų ir alyvos mišinys

- Krūmapjovės variklis yra didelio efektyvumo dviejų taktų variklis. Jis veikia naudojant degalų ir dviejų taktų varikliams skirtos alyvos mišinį. Šis variklis skirtas naudoti su neetiliuotu, įprastu benzinu, kurio oktaninis skaičius yra mažiausiai 91 ROZ.
Jeigu tokių degalų negautumėte, galite naudoti aukštesnio laipsnio oktaninio skaičiaus degalus. Variklis dėl to nesuges, tik gali prasčiau veikti. Tas pats bus ir naudojant etiliuotą benzina.
Norint, kad variklis veiktų optimaliai, o jūsų sveikatai ir gamtai nekiltų pavojus, reikia naudoti tik neetiliuotus degalus!
- Varikliui tepti naudokite dvitakčiams varikliams skirtą alyvą (kokybės klasė: TSC-3), kuri yra pilama į degalus.
Šis variklis skirtas naudoti su „MAKITA“ dviejų taktų varikliams skirta alyva; mišinio santykis turi būti 50:1 tik tam, kad nebūtų daroma žala aplinkai. Be to, garantuojama, kad variklis tarnaus ilgai ir veiks patikimai, išmesdamas į aplinką minimalų išmetamų dujų kiekį. Nepaprastai svarbu, kad mišinio santykis būtų 50:1 (benzinas ir „MAKITA“ dviejų taktų varikliams skirta alyva), kitaip negarantuojama, kad krūmapjovė veiks patikimai.
- Tinkamas mišinio santykis:
Benzinas: nurodyta dviejų taktų varikliams skirta alyva = 50 : 1 arba
Benzinas: kitų gamintojų dviejų taktų varikliams skirta alyva = 25 : 1 rekomenduojama

PASTABA: Norėdami paruošti benzino-alyvos mišinį, pirmiausiai sumaišykite visą alyvos kiekį su puse reikiamo kiekio degalų kanistre, kuris atitinka arba viršija vietos standartus. Paskui supilkite likusius degalus.
Kruopščiai supurtykite mišinį, prieš pildami jį į krūmapjovės baką.
Norėdami užtikrinti saugų darbą, nepilkite daugiau variklio alyvos nei nurodyta. Dėl to tik susidarys daugiau degimo nuosėdų, kurios terš aplinką ir užkimš išmetimo kanalą cilindre bei duslintuve. Be to, padidės degalų sąnaudos ir sumažės variklio našumas.

Naftos produktų tvarkymas

Naudodami degalus, būkite itin atsargūs. Degaluose gali būti cheminių medžiagų, panašių į tirpiklius. Degalų baką pildykite lauke arba gerai vėdinamoje patalpoje. Neįkvėpkite degalų garų, stenkitės, kad degalų arba alyvos nepatektų ant odos. Jeigu ant odos nuolat patenka ir ilgai būna šių medžiagų, ji išdžiūna. Tai gali sukelti įvairių odos ligų. Be to, žinoma, kad tai sukelia alergines reakcijas. Į akis patekusi alyva, degalai ir pan. gali jas sudirginti. Jei alyvos, degalų ir pan. patektų į akis, nedelsdami išplaukite jas švari vandeniu. Jei akys vis tiek būtų sudirgintos, nedelsdami apsilankykite pas gydytoją!



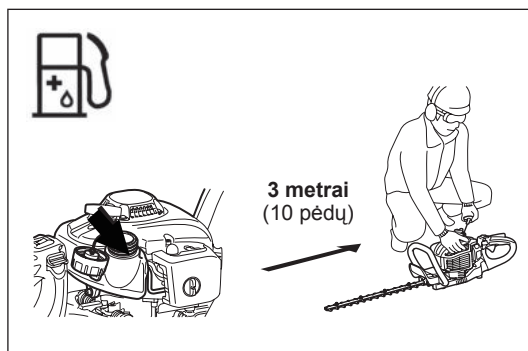
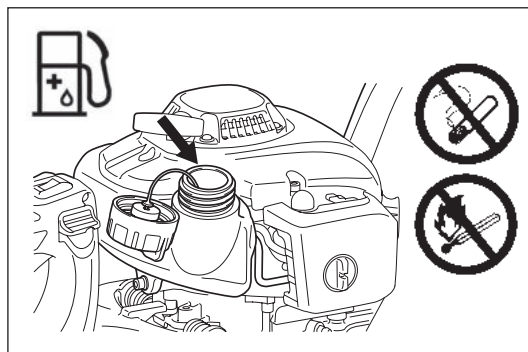
Benzinas	Alyva	
	50:1	25:1
	+	
	50:1	
1 000 cm ³ (1 litras)		20 cm ³ 40 cm ³
5 000 cm ³ (5 litrai)		100 cm ³ 200 cm ³
10 000 cm ³ (10 litrų)		200 cm ³ 400 cm ³

Kaip pripilti degalų

- Variklis turi būti išjungtas.
- Pildami į baką degalų, išjunkite variklį; nepilkite degalų šalia atviros liepsnos ir nerūkykite.
- Stenkitės neišlieti degalų ar alyvos, kad neužterštumėte dirvos. Išlieję degalų, tuoj pat nuvalykite krūmapjovę.
- Neišliekite degalų ant variklio. Jeigu išlietumėte degalus, nuvalykite juos.
- Stenkitės, kad degalų nepakliūtų ant drabužių. Tuoj pat persirenkite, jei apiejote drabužius degalais (kad drabužiai neužsiliepsnotų).
- Reguliariai tikrinkite degalų dangtelį, kad įsitikintumėte, jog jį galima saugiai ir sandariai užsukti.
- Kruopščiai užsukite degalų bako dangtelį. Variklį užveskite atokiai nuo tos vietos, kurioje pylėte degalų (bent per 3 metrus nuo degalų pildymo vietos).
- Niekomet nepildykite degalų uždaroje patalpose. Degalų garai kaupiasi ties žemės paviršiumi. (Sprogimo pavojus.)
- Degalus vežkite ir laikykite aprobuotuose kanistruose. Užtikrinkite, kad saugomi degalai būtų laikomi vaikams nepasiekiamoje vietoje.
- Gerai nušluostykite degalų baką aplink dangtelį, kad į degalų bakelį nepatektų joks purvas.
- Atsukite dangtelį ir pripilkite degalų į baką. Naudokite piltuvėlį su metaliniu tinkleliu, kad degalai būtų filtruojami.
- Tvirtai užsukite dangtelį ranka.
- Pripylę degalų, nuvalykite vietą aplink užsukamą dangtelį ir baką.
- Visada nuvalykite išsiliejusius degalus, kad nekiltų gaisras.

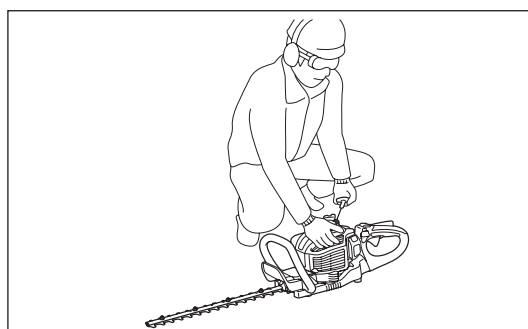
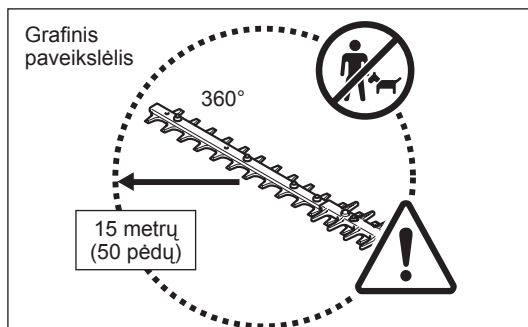
Degalų saugojimas

- Degalų negalima laikyti neribotą laiką.
- Pirkite tik tokį kiekį, kurį sunaudosite per 4 darbo savaites.
- Naudokite tik degalams laikyti tinkamus kanistus.



ATSARGUMO PRIEMONĖS RIEŠ PRADEDANT DARBĄ

- Darbo vietoje, 15 metrų atstumu, neturi būti vaikų arba pašalinių asmenų. Taip pat atkreipkite dėmesį į bet kokius šalia darbo vietos esančius gyvūnus.
- Prieš pradėdami naudoti krūmapjovę, patikrinkite, ar ją saugu naudoti. Patikrinkite, ar pjovimo įtaisas nėra sugadintas, ar lengvai veikia valdymo svirtis ir patikrinkite, ar tinkamai veikia įjungimo-išjungimo jungiklis. Patikrinkite, ar pjovimo peiliai nejuda varikliui veikiant tuščiaja eiga. Jei abejojate, atiduokite įrenginį pardavimo atstovui, kad jį patikrintų. Patikrinkite, ar rankenos yra švarios ir sausos; taip pat patikrinkite, ar tinkamai veikia įjungimo-išjungimo jungiklis.
- Naudokite krūmapjovę tik pagal instrukciją. Nenaudokite jokių kitų būdų varikliui užvesti. (Žr. skyrių „Įjungimas“)
- Variklį junkite tik tuomet, kai krūmapjovė bus visiškai sumontuota. Šį variklį galima naudoti tik tuomet, kai bus uždėti visi atitinkami jo priedai. Kitaip galite susižeisti.
- Prieš įjungdami, įsitinkite, ar pjovimo peiliai neliečia jokių objektų, pavyzdžiui, šakų, akmenų ir pan.
- Prieš pradėdami karpyti, patikrinkite, ar darbo vietoje nėra vielų, laidų, stiklo arba kitų pašalinių daiktų, kuriuos gali užkliudyti pjovimo peilis.
- Elektros smūgis. Saugokitės bet kokių elektros linijų ir elektros tvorų. Prieš pradėdami pjauti, patikrinkite darbo vietą, ar joje nėra elektros linijų.



IRANKIO ĮJUNGIMAS

Pasitraukite bent 3 metrus nuo tos vietos, kurioje pylėte degalus. Padėkite krūmapovę švarioje vietoje, ant žemės. Įsitinkinkite, ar pjovimo peiliai noliečia žemės arba kitų objektų.

Šalto variklio užvedimas: (jeigu variklis yra šaltas arba jis buvo išjungtas ilgiau nei 5 minutėms arba į variklį dar pripilta degalų.)

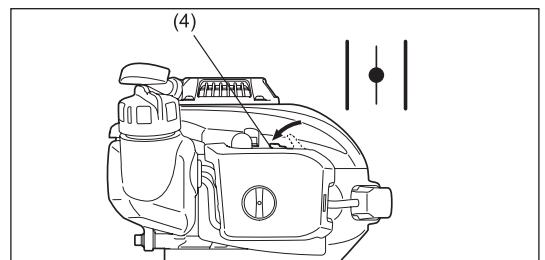
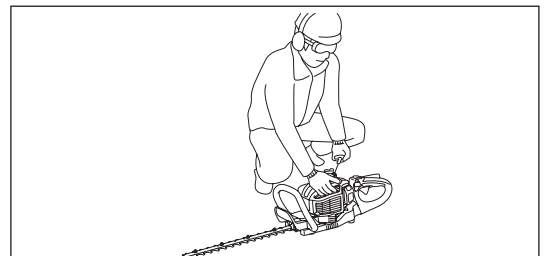
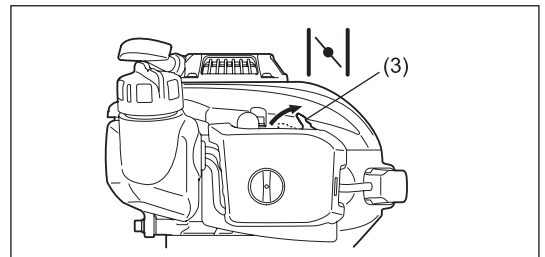
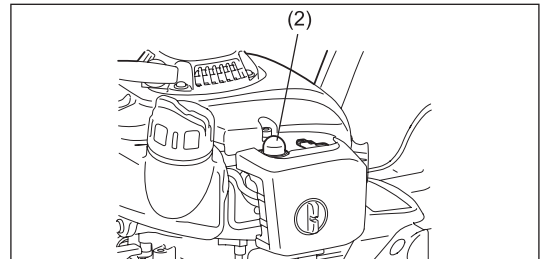
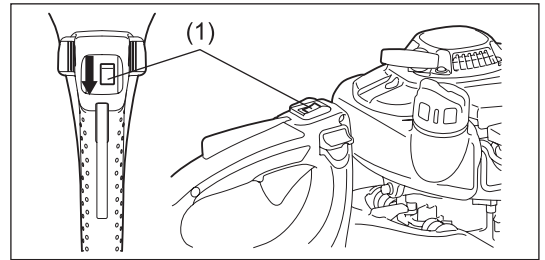
1. Paspauskite I-O jungiklį (1) į padėtį „I“.
2. Kelis kartus atsargiai papumpuokite užpildymo pompą (2) (7 – 10 kartų), kol degalai pateks į užpildymo pompą.
3. Pastumkite droselinės sklendės svirtį (3) padėtį „|↘|“.
4. Tvirtai laikykite krūmapovę, kad neprarastumėte valdymo užvesdami variklį rankiniu būdu. Kitaip galite nukristi arba prisiliesti prie pjovimo peilio bei sunkiai susižeisti ir (arba) padaryti žalos turtui.
5. Lėtai traukite starterio rankeną 10 – 15 cm, kol pajusite pasipriešinimą.
6. Jausdami pasipriešinimą, smarkiai truktelėkite starterio rankeną ir užveskite variklį.
7. Varikliui užsivedus arba užsivedus ir užgesus, sugrąžinkite droselinės sklendės svirtį (4) į padėtį „|↑|“.
8. Leiskite varikliui paveikti maždaug vieną minutę vidutinėmis apsuksomis, paskui padidinkite apsuokas iki maksimalių.

Pastaba: • Jei keliskart patrauksite už starterio rankenos, kai droselinės sklendės svirtis bus padėtyje „|↘|“ padėtyje, variklis lengvai neužsives dėl pernelyg didelio degalų tiekimo.

• Esant per dideliame degalų tiekimui, išsukite uždegimo žvakę ir lėtai patraukite už starterio rankenos, kad degalų perteklius būtų pašalintas. Taip pat nusauskite uždegimo žvakės elektrodo dalį.

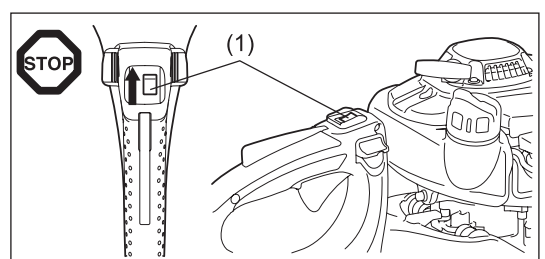
Karšto variklio užvedimas: (pakartotinis užvedimas tuoj pat po to, kai variklis buvo išjungtas.) Užvedant karštą variklį, pirmiausiai pabandykite atlikti pirmiau minėtus veiksmus: 1, 2, 4, 5, 6, sugrąžinę droselinės sklendės svirtį (4) į padėtį „|↑|“. Jei variklis neužsiveda, pakartokite pirmiau aprašytus 1 – 8 veiksmus.

Pastaba: Neištraukite viso starterio laido. Neleiskite, kad starterio rankena būtų įtraukta nevaldomai. Užtikrinkite, kad ji būtų įtraukta lėtai.



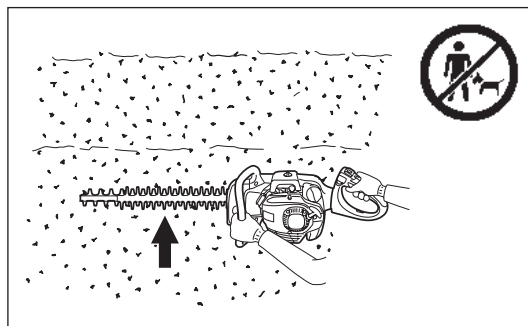
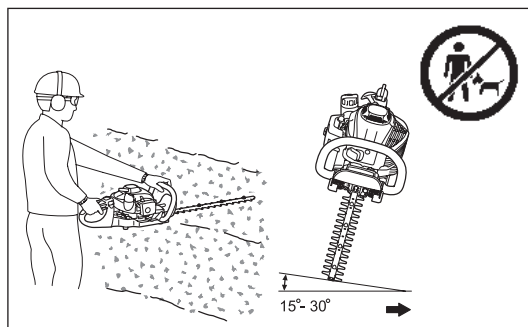
IRANKIO IŠJUNGIMAS

1. Visiškai atleiskite droselinės sklendės svirtį.
2. Paspauskite I-O jungiklį (1) į padėtį „O“. Variklio apsuokas ims mažėti ir jis išsijungs.



ĮRANKIO NAUDOJIMAS

- Niekada nenaudokite krūmapjovės, jeigu jos rankena yra atsilaisvinusi.
- Niekada nelieskite pjovimo peilių, kai užvedate variklį ir dirbate.
- Naudokite krūmapjovę tokiu būdu, kad neįkvėptumėte išmetamų dujų. Niekada nejunkite variklio užradose patalpose (pavojus apsinuodyti nuodingomis dujomis). Anglies monoksidas yra bekvapės dujos.
- Dirbant privaloma naudoti visus su įrankiu pateiktus apsauginius įtaisus, pavyzdžiui, apsauginį gaubtą.
- Niekada nejunkite variklio, jei sugedęs arba neuždėtas jo duslintuvas.
- Naudokite šią krūmapjovę tik esant geram apšvietimui ir matomumui.
- Žiemos metu saugokitės slidžių ar šlapių vietų, ledo ir sniego. (Pavojus paslysti.) Visuomet tvirtai stovėkite ant žemės.
- Niekada nenaudokite krūmapjovės stovėdami ant kopėčių. Stovėkite ant žemės abejomis kojomis.
- Niekada nelipkite į medžius, kad nupjautumėte šakas krūmapjove.
- Niekada nedirbkite stovėdami ant nestabilių paviršių.
- Iš darbo vietos pašalinkite smėlį, akmenis, vinis, laidus ir pan. Pašaliniai objektai gali sugadinti pjovimo peilius.
- Prieš pradėdami pjauti, nukarpykite 8 mm storio arba storesnes šakas krūmų genėjimo žirkėmis.
- Prieš pradėdami pjauti, pjovimo peiliai turi pasiekti maksimalų darbo greitį.
- Visada tvirtai laikykite krūmapjovę už rankenų abejomis rankomis.
- Tvirtai apkabinkite rankenas nykščiais ir pirštais.
- Atleidus droselinę sklendę, pjovimo peiliai sustoja po kelių sekundžių.
- Nenaudokite krūmapjovės, kai ji veikia tuščiaja eiga. Jūs negalite reguliuoti pjovimo greičio droselinės sklendės valdikliu, jeigu tuščiosios eigos apsakos yra per didelės.
- Dirbdami laikykite krūmapjovę taip, kad pjovimo peiliai su pjovimo linija sudarytų 15 – 30° kampą.
- Ypač būkite dėmesingi, karpdami gyvatvores arti arba šalia vielinių tvorų.
- Nepalieskite pjovimo peiliais kietų daiktų, pavyzdžiui, vielinės tvoros arba žemės. Dėl to pjovimo peiliai gali įtrūkti nulūžti arba nuskilti.
- Jei pjovimo peiliai atsitrengtų į akmenį ar kokią nors kitą kietą objektą, tuoj pat išjunkite variklį ir apžiūrėkite pjovimo peilius, ar jie nesugadinti. Pakeiskite sugadintus pjovimo peilius prieš vėl pradėdami dirbti.
- Reguliariai ilsėkitės. „Makita“ rekomenduoja ilsėtis 10 – 20 minučių kas 50 darbo minučių.
- Įvykus kokiam nors variklio gedimui, variklį reikia nedelsiant išjungti.
- Naudokite krūmapjovę, keldami kuo mažiau triukšmo, ir kuo mažiau teršdami aplinką. Ypač patikrinkite, ar tinkamai nustatytas karbiuratorius ir ar tinkamas degalų/alyvos santykis.
- Niekada nemėginkite pašalinti užstrigusios pjovimo medžiagos pjovimo peiliams veikiant. Padėkite įrankį, išjunkite jį ir pašalinkite nuopjovas.



GALINĖS RANKENOS PAKREIPIMO KAMPO NUSTATYMAS

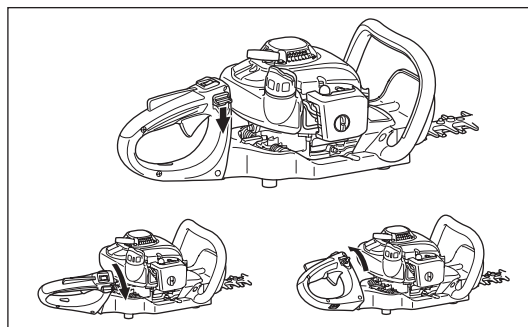
Galinę rankeną galima pasukti 90° į kairę arba dešinę ir nustatyti 45° kampu bet kurioje pusėje.

Norėdami pakeisti kampą:

1. Paspauskite atlaisvinimo svirtį, kad atlaisvintumėte fiksiatorių.
2. Pasukite rankenėlę 0°, 45° arba 90° kampu.
3. Atlaisvinimo svirtis būtinai turi sugrįžti į originalią padėtį, kad fiksiatorius užsifikuotų.

Netraukite droselinės sklendės svirties, kai fiksiatorius yra atlaisvintas.

Neatlaisvinkite fiksiatoriaus darbo metu.



TECHNINĖS PRIEŽIŪROS INSTRUKCIJA

- Valydami/keisdami/galąsdami pjovimo peilius arba atlikdami bet kokius techninės priežiūros darbus, išjunkite variklį ir nuimkite uždegimo žvakės jungtį.
- Niekada netiesinkite ir nebandykite suvirinti pažeistų pjovimo peilių.
- Dažnai tikrinkite pjovimo peilius, ar jie nesugadinti (variklis turi būti išjungtas).
- Pjovimo peiliai turi būti aštrūs.
- Reguliariai valykite krūmapjovę ir tikrinkite, ar tvirtai priveržti visi varžtais ir varžlės.
- Niekada neatlikite krūmapjovės techninės priežiūros darbų šalia atviros liepsnos, kad nekiltų gaisras.
- Laikydami arba galąsdami pjovimo peilius, visada mūvėkite odines pirštines.

Peilio galandimas

Jeigu ašmenys atbukę ir gerai nebeįjauna, nugaląskite tik paveikslėlyje pavaizduotas dalis. Negaląskite viršutinių ir apatinių kraštų kontaktinių paviršių (slankiojamųjų paviršių).

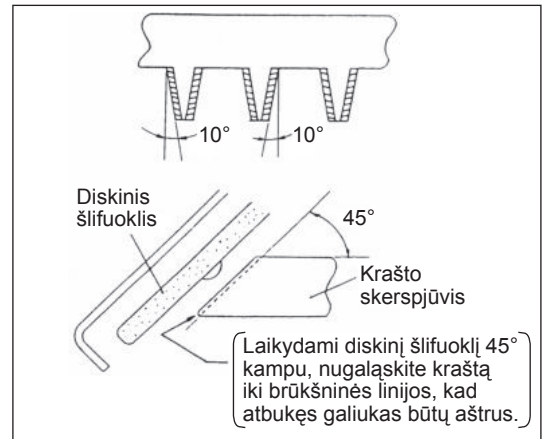
- Prieš pradėdami galąsti, būtinai tvirtai įtvirtinkite pjovimo peilį ir išjunkite variklį bei nuimkite uždegimo žvakės galvutę.
- Mūvėkite pirštines, apsauginius akinius ir pan.
- Nenugaląskite pernelyg daug. Kitaip pašalinsite sutvirtintą sluoksnį ir naudojami pjovimo peiliai labai greitai atbuks.



Pjovimo peilių laisvumo reguliavimas

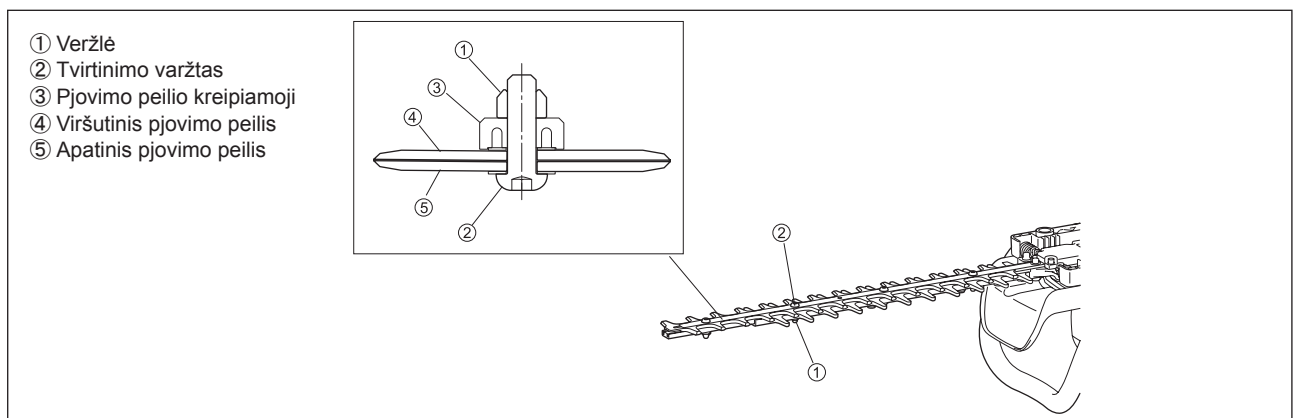
Viršutinis / apatinis peiliai nusidėvi. Jeigu gyvatvorė karpoma nepakankamai švariai, nors pjovimo peiliai pakankamai aštrūs, pareguliuokite tarpelį, atlikdami šiuos veiksmus.

1. Atsukite varžtus ir nuimkite tiesią ilginimo dalį.
2. Atsukite varžlę (1) kryžminiu arba galiniu raktu.
3. Nesmarkiai paveržkite tvirtinimo varžtą (2) šešiakampiu varžliarakčiu, kol jis nebesisuks, ir atsukite jį atgal ketvirčiu pasukimo.
4. Užveržkite varžlę (1), laikydami tvirtinimo varžtą (2).
5. Paviršius, kuriais pjovimo peiliai liečiasi, patepkite neklampiu tepalu.
6. Užveskite variklį, vieną minutę didinkite ir mažinkite variklio apsukas.
7. Išmatuokite laiką, per kurį peiliai sustoja atleidus droselinės sklendės svirtį. Jeigu sustoja po dviejų sekundžių arba vėliau, išjunkite variklį ir pakartokite 2–7 veiksmus.
8. Išjunkite variklį ir palieskite pjovimo peilių paviršius. Jeigu jie ne per karšti, kad galėtumėte juos paliesti, nustatėte tinkamai. Jeigu jie per karšti, kad galėtumėte juos paliesti, pasukite tvirtinimo varžtą (2) šiek tiek atgal ir pakartokite 6–8 veiksmus.
9. Uždėkite tiesią ilginimo dalį ir priveržkite ją varžtais.



PASTABA: Prieš atlikdami reguliavimą, išjunkite variklį ir palaukite, kol peiliai sustos.

Pjovimo peiliuose aplink varžtus (2) yra angos. Jeigu angų galuose rastumėte dulkių, išvalykite jas.



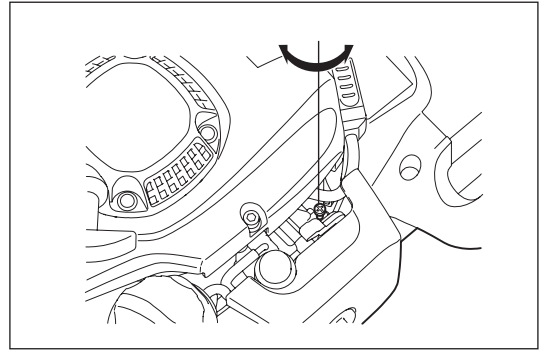
Tuščiųjų variklio apskukų tikrinimas ir reguliavimas

Varikliui veikiant tuščiaja eiga, pjovimo peiliai turi neveikti.

- Tuščiosios eigos apskukos turi būti $3\ 000\ \text{min}^{-1}$ (apm).
- Jeigu reikia, pareguliuokite tuščiosios eigos reguliavimo varžtą (varikliui veikiant tuščiaja eiga, pjovimo peiliai turi neveikti).
 - Pjovimo peiliai juda varikliui veikiant tuščiaja eiga – sukite tuščiosios eigos reguliavimo varžtą prieš laikrodžio rodyklę, kad variklio apskukos veikiant tuščiaja eiga sumažėtų.
 - Variklis, veikdamas tuščiaja eiga, užgęsta – sukite tuščiosios eigos reguliavimo varžtą pagal laikrodžio rodyklę, kad variklio apskukos veikiant tuščiaja eiga padidėtų.

Jeigu atlikus reguliavimo darbus varikliui veikiant be apkrovų pjovimo peiliai vis tiek judėtų, susisiekite su artimiausiu įgaliotuoju techninio aptarnavimo atstovu.

- Sankaba turi sukibtį esant $3\ 750\ \text{min}^{-1}$ (apm) arba didesnėms variklio apskukoms.
- Patikrinkite, kaip veikia I-O jungiklis, blokavimo svirtis ir droselinės sklendės svirtis.



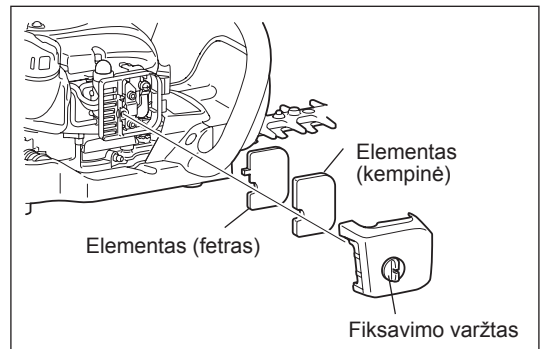
Oro filtro valymas



PAVOJUS: Griežtai draudžiama naudoti bet kokias degias medžiagas

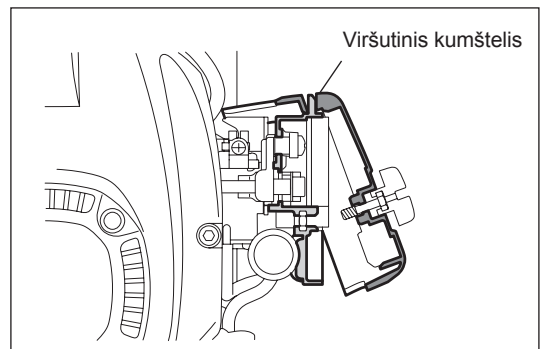
Oro filtrą tikrinkite kasdien arba kas 10 darbo valandų.

- Pasukite droselinės sklendės valdymo svirtį į visiško uždarymo pusę ir saugokite karbiuratorių nuo dulkių ar purvo.
- Atsukite tvirtinimo varžtą.
- Patraukite už galinės oro filtro dangtelio pusės ir nuimkite oro filtro dangtelį.
- Jei elementas (kempinė) yra įmirkęs alyva, tvirtai išspauskite jį.
- Esant smarkiam sutepimui:
 - 1) Nuimkite elementą (kempinę), panardinkite jį į šiltą vandenį arba vandens ir neutralios plovimo priemonės tirpalą, paskui gerai jį išdžiovinkite.
 - 2) Nuvalykite elementą (fetrą) benzinu ir gerai jį išdžiovinkite.
- Prieš pradėdami montuoti elementą, būtina visiškai jį išdžiovinkite. Nepakankamai išdžiovinus elementą, gali būti sunku užvesti variklį.
- Medžiagos skiautele nuvalykite ant oro filtro patekusią alyvą.
- Pabaigę valymą, tuoj pat uždenkite filtro dangtelį ir priveržkite jį fiksavimo varžtais. (Sumontuodami dalis, pirmiausia įdėkite viršutinį kumštelį.)



Nurodymai, kaip valyti oro filtro elementą

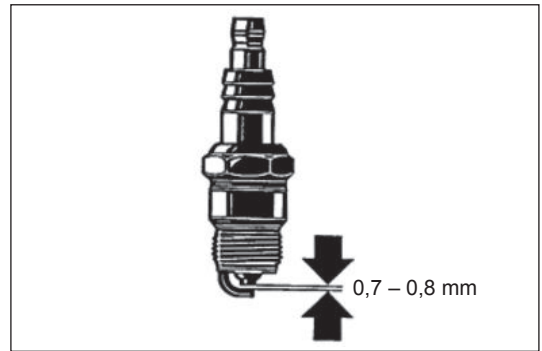
- Valykite elementą keliskart per dieną, jei jis labai užterštas dulėmis.
- Jei dirbsite į įrenginį įdėję neišsunktą elementą, alyva gali ištekėti į oro filtrą ir užteršti jį.



Uždegimo žvakės tikrinimas

Uždegimo žvakę tikrinkite kasdien arba kas 8 darbo valandas.

- Uždegimo žvakę montuokite arba išsukite naudodami tik pateiktą universalų veržliaraktį.
- Tarpelis tarp dvejų uždegimo žvakės elektrodų turi būti 0,7 – 0,8 mm. Jeigu tarpelis per didelis arba per mažas, pareguliuokite jį. Jei uždegimo žvakė yra apnešta suodžiais ar užteršta, kruopščiai nuvalykite ją arba pakeiskite nauja. Naudokite tik originalią atsarginę žvakę.



Tepalo ir alyvos tepimas

- Tiekite tepalą, naudodami tepalo nipelį, kas 50 darbo valandų. (tepalas „Shell Alvania“ Nr. 3 arba jo atitikmuo)

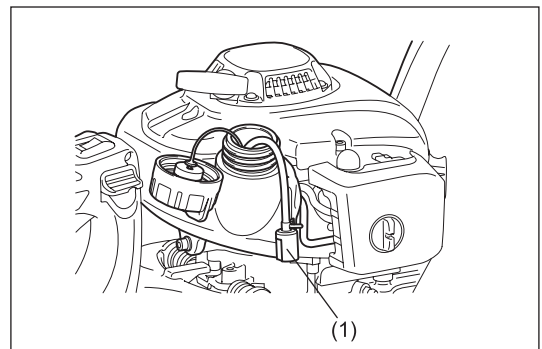
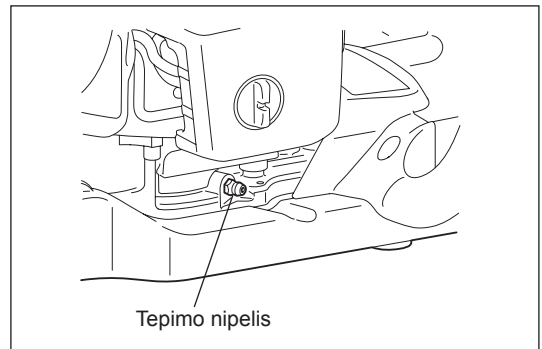
PASTABA: Būtinai reguliariais protarpiais naudokite tinkamą tepalo kiekį. Kitaip dėl tepalo trūkumo įrankis suges.

(Degalų bako esančios siurbimo galvutės) degalų filtro valymas

ĮSPĖJIMAS: Griežtai draudžiama naudoti bet kokias degias medžiagas

Degalų filtrą tikrinkite kas mėnesį arba kas 50 darbo valandų.

- Fetro filtras (1) naudojamas filtruoti degalus, tiekiamus į karbiuratorių.
- Reguliariai apžiūrėkite fetro filtrą.
- Norėdami patikrinti fetro filtrą, atsukite degalų bako dangtelį, padarykite kabliuką iš vielos ir pro degalų bako angą ištraukite juo įsiurbimo galvutę. Jeigu fetro filtras sukietėjęs, užsiteršęs arba užsikimšęs, pakeiskite jį nauju.
- Keiskite fetro filtrą bent kas tris darbo mėnesius, kad būtų užtikrintas pakankamas degalų tiekimas į karbiuratorių. Kitaip, esant degalų tiekimo trūkumui, variklis pradės gesti ir sumažės jo maksimalios apšukos.



Degalų vamzdelio keitimas

PERSPĖJIMAS: Griežtai draudžiama naudoti bet kokias degias medžiagas

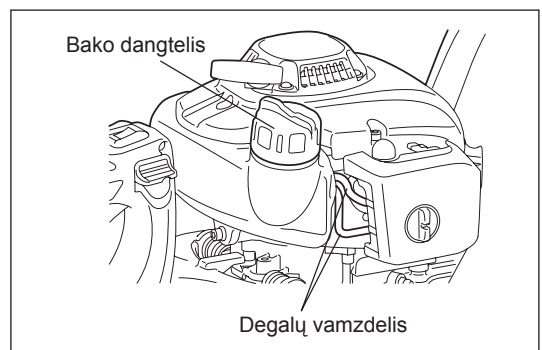
Degalų vamzdelį tikrinkite kasdien arba kas 10 darbo valandų.

Keiskite degalų vamzdelį kas 200 darbo valandų arba kasmet, nesvarbu, kaip dažnai naudojate įrankį. Kitaip ištekėję degalai gali sukelti gaisrą.

Jei tikrindami pastebėtumėte nuotėkį, tuoj pat pakeiskite alyvos vamzdelį.

Bako dangtelio keitimas

- Degalų bako dangtelis būtų įtrūkęs ar apgadintas, nedelsdami pakeiskite jį nauju.
- Laikui bėgant bako dangtelis nusidėvi. Keiskite jį kas du arba tris metus.



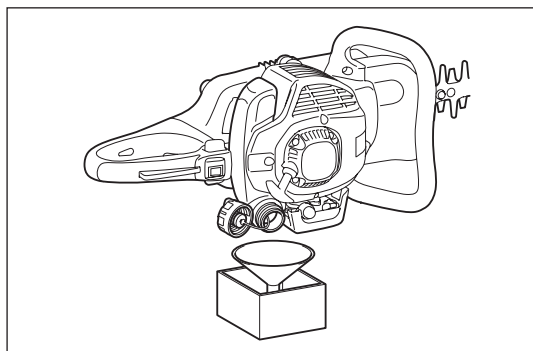
Dėl bet kokių techninės priežiūros arba reguliavimo darbų, neaprašytų šiame vadove, kreipkitės į vietas įgaliotąjį „Makita“ techninės priežiūros centrą.

Kasdienis tikrinimas ir techninė priežiūra

Norėdami užtikrinti ilgą įrenginio tarnavimo laiką ir išvengti jo gedimų, reguliariai atlikite toliau nurodytus techninės priežiūros darbus.

- Prieš pradėdami naudoti:
 - Patikrinkite, ar neatsilaisvino įrenginio varžtai, arba ar netrūksta kokių nors dalių. Ypač atkreipkite dėmesį, ar tvirtai užveržti pjovimo peilių varžtai.
 - Visuomet patikrinkite, ar neužkištos oro įleidimo angos ir veleno briaunos. Jeigu reikia, išvalykite jas.
 - Išvalykite degalų bakelį ir patikrinkite, ar nėra degalų nuotėkio, arba ar bakelyje nėra pašalinių dalelių.
- Po naudojimo:
 - Nuvalykite krūmapjovę ir apžiūrėkite ją, ar nėra degimų.
 - Išvalykite oro filtrą. Dirbdami ten, kur kyla labai daug dulkių, valykite filtrą keliskart per dieną.
 - Patikrinkite, ar neapgadinti pjovimo peiliai, ir įsitikinkite, ar jie tvirtai sumontuoti.

SAUGOJIMAS



- Jeigu įrankio ilgai nenaudosite, išleiskite degalus iš degalų bako ir karbiuratoriaus, atlikdami šiuos veiksmus: Išleiskite iš degalų bako visus degalus.
- Ištraukite uždegimo žvakę ir įlašinkite kelis lašus alyvos pro uždegimo žvakės angą. Tuometatsargiai patraukite už starterio rankenėlės, kad variklio alyva būtų paskirstyta visame variklyje, ir vėl sumontuokite uždegimo žvakę.
- Nuvalykite purvą nuo pjovimo peilio bei variklio (nušluostykite juos alyva suvilgytu skudurėliu) ir pastatykite įrankį kaip įmanoma sausesnėje vietoje.

TECHNINĖS PRIEŽIŪROS PLANAS

Kiekvienąkart papildžius degalų	Droselinės sklendės svirtis I-O jungiklis	Patikrinkite veikimą Patikrinkite veikimą
Prieš kiekvieną naudojimą	Variklio blokas, varžtai ir veržlės Oro filtras Aušinimo oro įleidimo anga Pjovimo įrankis Tuščioji eiga Degalų bakas	Apžiūrėkite, ar neapgadinti ir tvirtai priveržti Patikrinkite bendrą būklę ir saugą Nuvalykite Nuvalykite Patikrinkite, ar jis aštrus ir neapgadintas Tikrinimas (pjovimo įrankis turi nejudėti) Patikrinkite ir išvalykite
Kas 50 valandų	Pavarų dėžė	Tepalo tiekimas
Kas savaitę	Uždegimo žvakė	Patikrinkite ir, jei reikia, pakeiskite
Kasmet	Degalų vamzdelis	Pakeiskite
Du kartus per metus	Bako dangtelis	Pakeiskite
Prieš padedant ilgalaikiam saugojimui	Degalų bakas Karbiuratorius Siurbimo galvutė	Ištuštinkite ir išvalykite Leiskite varikliui veikti tol, kol pasibaigs degalai Pakeisti

GEDIMŲ NUSTATYMAS

Klaida	System (sistema)	Pastabos	Priešastis
Neužsiveda variklis arba sunkiai užsiveda	Uždegimo sistema	Uždegimo žvakė sumontuota	Gedimas degalų tiekimo arba kompresijos sistemoje, mechaninis defektas
		Uždegimo žvakė nesukelia kibirkšties	Įjungtas I-O jungiklis, laidų jungimo gedimas arba trumpasis jungimas, sudegusi uždegimo žvakė arba sugedusi jungtis, uždegimo modulio gedimas
	Degalų tiekimas	Degalų bakas pilnas	Netinkama droselinės sklendės padėtis, karbiuratoriaus gedimas, užteršta siurbimo galvutė (degalų linijos filtras), sulankstyta arba užkimšta degalų tiekimo linija
	Kompresija	Variklio vidus	Sugedęs cilindro apatinis tarpiklis, pažeisti karterio sandarikliai, sugadinti cilindrų arba stūmoklių žiedai
		Variklio išorė	Netinkamas uždegimo žvakės sandarinimas
Sunku užvesti šiltą variklį	Mechaninis gedimas	Starteris neužsiveda	Nutrūko starterio spyruoklė, nutrūko dalys variklio viduje
		Bakas pilnas, uždegimo žvakė sumontuota	Užterštas karbiuratorius - atiduokite jį išvalyti
Variklis užsiveda, bet tuoj pat užgęsta	Degalų tiekimas	Bakas pilnas	Netinkamas tuščiosios eigos nustatymas, užteršta siurbimo galvutė arba karbiuratorius
			Sugadinta degalų bako ventilacijos anga, užkišta degalų tiekimo linija, nutrauktas laidas arba sugedęs I-O mygtukas
Nepakankamas darbas	Vienu metu gali būti pažeistos kelios sistemos	Variklis veikia be apkrovų	Užterštas oro filtras, užterštas karbiuratorius, užkištas duslintuvas, užkištas cilindre esantis išleidimo kanalas

Täname, et valisite MAKITA hekitrimmeri. Meil on hea meel, et saame Teile pakkuda MAKITA hekitrimmerit, mis on valmistatud pikaajalise arendustöö ning paljude aastate teadmiste ja kogemuste rakendamise tulemusena.

Hekitrimmeri mudelites EH5000W, EH6000W ja EH7500W on tehnoloogia viimane sõna ühendatud ergonoomilise disaini, kerge kaalu, käepärasuse ja väiksusega ning neil professionaalsetel tööriistadel on hulk erinevaid kasutusvõimalusi.

Palun lugege hoolikalt käesolevat brošüüri, milles viidatakse üksikasjalikult erinevatele punktidele, mis tõestavad seadme silmapaistvat suutlikkust, ning järgige selles antud juhiseid. Selle abil saavutate MAKITA hekitrimmeriga töötamisel parimaid tulemusi.



Sisukord	Lehekülg
Sümbolid.....	87
Ohutusalsed juhised.....	88
Tehnilised andmed.....	91
Osade nimetused.....	92
Kütused/kütuse lisamine.....	93
Käivituseelsed ettevaatusabinõud.....	94
Masina käivitamine.....	95
Masina seiskamine.....	95
Masinaga töötamine.....	96
Tagumise käepideme nurga reguleerimine.....	96
Hooldusjuhised.....	97
Hoiustamine.....	100
Hooldusgraafik.....	100
Rikkeotsing.....	100

SÜMBOLID

Käesoleva juhendi lugemisel on väga oluline aru saada järgmiste sümbolite tähendusest.

	HOIATUS/OHT		Kütuse ja õli segu
	Lugeda, mõista ja järgida kasutusjuhendit		Mootori käivitamine
	Keelatud		Avariiseiskamine
	Suitsetamine keelatud		Esmaabi
	Hoiduge lahtise tule eest		Ümbertöötlemine
	Kandke kaitsekindaid		SISSELÜLITAMINE/KÄIVITAMINE
	Ärge lubage kõrvalisi isikuid ega lemmikloomi tööpiirkonda		VÄLJALÜLITAMINE/SEISKAMINE
	Kandke kaitseprille ja kuulmiskaitsevahendeid		CE-märgistus

OHUTUSALASED JUHISED

Üldised juhised

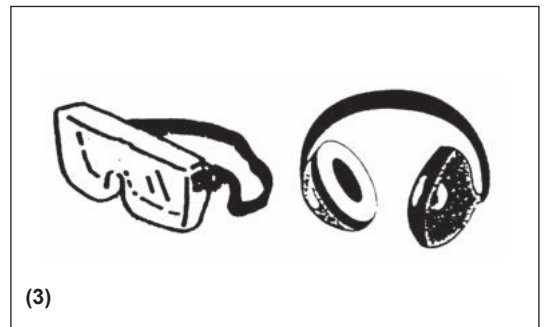
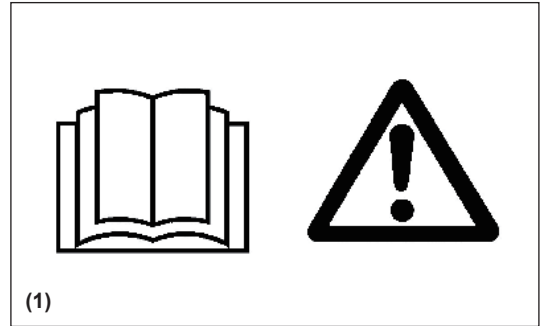
- SEE MASIN VÕIB PÕHJUSTADA RASKEID VIGASTUSI. Lugege juhendist hoolikalt, kuidas seadet õigesti käsitseda, ette valmistada, hooldada, käivitada ja seisata. Õppige põhjalikult tundma kõiki juhtimiseadiseid ja masina õiget kasutamist. (1)
- Hekitrimmerit võib anda kasutamiseks ainult neile, kellel on hekitrimmeritega töötamise eelnev kogemus. Andke kasutusjuhend alati kaasa.
- Esmakordsed kasutajad peaksid müügiesindajal laskma endale tutvustada mootori jõul töötava hekitrimmeri esmaseid juhthõõre, et ennast seadme käsitlemisega kurssi viia.
- Lastel ja alla 18-aastastel noorukitel ei ole lubatud hekitrimmeriga töötada. Üle 16-aastased isikud võivad seadet siiski kasutada, kuid ainult väljaõppe otstarbel ja kvalifitseeritud juhendaja järelevalve all.
- Hekitrimmeri kasutamisel tuleb olla ülimalt ettevaatlik ja tähelepanelik.
- Hekitrimmerit kasutavad isikud peavad olema heas füüsilises vormis. Töötage rahulikult ja ettevaatlikult. Kasutaja on vastutav kolmandate isikute ees.
- Ärge kunagi kasutage hekitrimmerit siis, kui olete tarvitanud alkoholi või ravimeid või kui tunnete ennast väsinuna või olete haige. (2)

Seadme kavandatud kasutus

- Hekitrimmer on mõeldud ainult põõsaste ja hekkide kärpimiseks ning seda ei tohi kasutada mingil muul otstarbel. Ärge kasutage trimmerit valesti.

Isikukaitsevahendid

- Kantav riietus peab vastama töö iseloomule ja olema sobilik, s.t see peaks olema kehajärgiv, kuid ei tohiks takistada töötamist. Ärge kandke töötamise ajal ehteid ega lehvivaid riideid, mis võivad põõsastesse või masina vahele kinni jääda.
- Et vältida silma-, käe- ja jalavigastusi ning kaitsta oma kuulmiselundeid, tuleb hekitrimmeriga töötamisel kasutada järgmist kaitsevarustust ja -riietust.
- Hekitrimmeriga töötamisel kandke alati kaitseprille või näokatet, et vältida silmade vigastamist. (3)
- Kandke nõuetekohaseid kuulmiskaitsevahendeid, et vältida kuulmise kahjustamist (kõrvaklapid, kõrvatropid jms). (3)
- Soovitame kasutajal kindlasti kanda spetsiaalset töökombinesooni. (4)
- Spetsiaalsed paksust nahast valmistatud kaitsekindad on üks osa ettenähtud varustusest, mida tuleb hekitrimmeriga töötamisel alati kanda. (4)
- Kui kasutate hekitrimmerit, kandke alati vastupidavaid mittelibiseva tallaga jalanõusid. See kaitseb kehavigastuste eest ning tagab kindla jalgealuse. (4)



Hekitrimmeri käivitamine

- Palun tagage, et 15 meetri raadiuses tööpiirkonnas ei viibiks lapsi ega teisi kõrvalisi isikuid (5). Pöörake tähelepanu ka sellele, et läheduses ei oleks loomi.
- Enne kasutamist kontrollige alati, et hekitrimmer oleks töökorras.
- Kontrollige gaasihoova ohutust. Gaasihoob peab liikuma sujuvalt ja kergelt. Kontrollige gaasihoova luku töökorras olekut. Kontrollige, kas käepidemed on puhtad ja kuivad, ning testige käivituslülitit funktsioneerimist. Vältige õli ja kütuse sattumist käepidemetele.

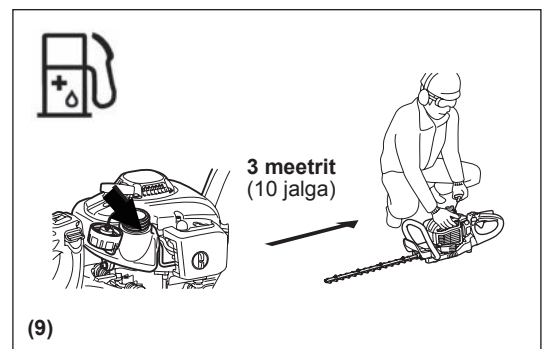
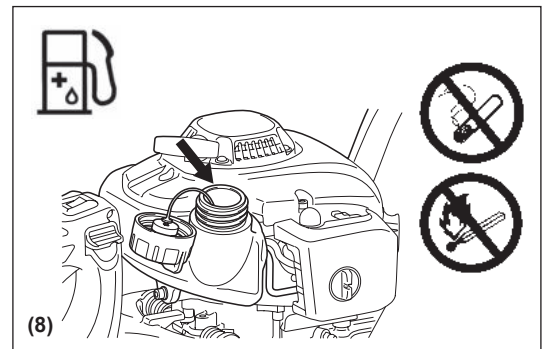
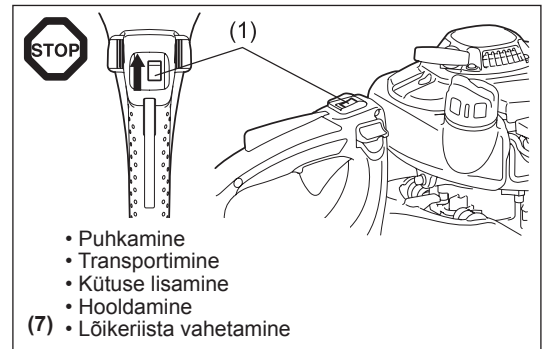
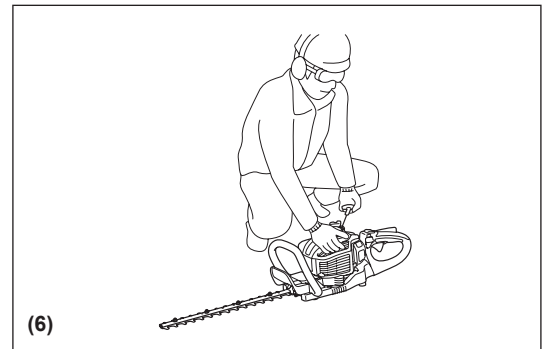
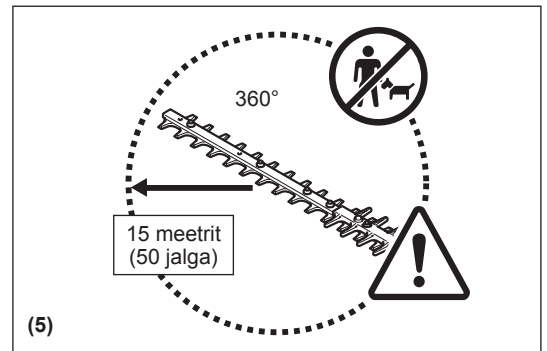
Käivitage hekitrimmer vastavalt juhistele.

Ärge kasutage mootori käivitamiseks teisi meetodeid (6)!

- Kasutage hekitrimmerit ainult ettenähtud otstarbel.
- Käivitage hekitrimmeri mootor alles pärast seda, kui seade on lõpuni kokku pandud. Hekitrimmeriga võib töötada alles pärast kõigi nõuetekohaste tarvikute kinnitamist!
- Enne alustamist veenduge, et löikuritera ei puutu ühegi eseme, nt okste, kivide vms vastu.
- Peatage mootor koheselt, kui selle töös esineb probleeme.
- Hoidke töötamise ajal kindlalt kinni nii eesmisest kui tagumisest käepidemest. Hoidke käepidemed puhtad ning jälgige, et nendel ei oleks vaiku, õli ega määret. **Jälgige kogu töötamise vältel, et seisaksite kindlalt ja püsikssite tasakaalus.**
- Kasutage seadet ainult vabas õhus.
- Jälgige pidevalt ümbrust ning olge valmis reageerima võimalikele ohtudele, mida Te masina müra tõttu ei pruugi kuulda.
- Kasutage hekitrimmerit nii, et Te töötamise ajal heitgaase sisse ei hingaks. Ärge käivitage mootorit suletud ruumides (lähbumise ja mürgituse oht). Süsinikmonoksiid on lõhnatu gaas. Tagage alati piisava ventilatsiooni olemasolu.
- Peatage mootor puhkepauside ajaks ning siis, kui jätate hekitrimmeri järelevalveta. Asetage see ohutusse kohta, et vältida teiste isikute ohustamist või põlevate materjalide süttimist või seadme kahjustamist.
- Ärge asetage kuumat hekitrimmerit kuivale rohule ega teistele süttivatele materjalidele.
- Tuleohtu vähendamiseks vältige prahi, lehtede või liigse määrdet kogunemist mootorile ja summutile.
- Ärge käivitage mootorit, kui summuti on katki.
- Peatage mootor transportimise ajaks (7).
- Peatage mootor enne:
 - ummistuse kõrvaldamist;
 - masina kontrollimist, hooldamist või selle kallal töötamist.
- Autos või veokis vedamise ajaks asetage hekitrimmer ohutusse asendisse, et vältida kütuse lekkimist.
- Hekitrimmeri transportimisel kütuselekket vältimiseks tagage, et kütusepaak oleks täiesti tühi.
- Transporti või hoiustamise ajaks pange alati peale masina löikeseadme kaitse.

Kütuse lisamine

- Peatage mootor enne kütuse lisamist (7), hoiduge lahtistest lekidest (8) ja ärge suitsetage.
- Ärge püüdke kütust lisada, kui mootor on kuum või töötab.
- Vältige naftasaaduste sattumist nahale. Hoiduge kütuseaurude sissehingamisest. Kandke kütuse lisamise ajal alati kaitsekindaid. Vahetage ja puhastage kaitseriietust regulaarselt.
- Maapinna saastumise vältimiseks ärge laske kütusel või õlil maha voolata (keskkonnakaitse). Pühkige hekitrimmerile sattunud kütusepritsmed kohe ära. Enne äraviskamist kuivatage kütuse pühkimiseks kasutatud lappe hea tuulutusega kohas. Vastasel korral võib tekkida iseeneslik süttimine.
- Vältige kütuse sattumist rietele. Vahetage koheselt riided, kui neile on sattunud kütust (suur oht).
- Kontrollige regulaarselt kütusepaagi korki, veendumaks, et see on korralikult kinni.
- Keerake kütusepaagi kork hoolikalt kinni. Mootori käivitamiseks vahetage seadme asukohta (vähemalt 3 meetri kaugusel kütuse lisamise kohast) (9).
- Ärge kunagi lisage kütust kinnistes ruumides. Kütuseaurud kogunevad põrandale (plahvatusoht).
- Transportige ja säilitage kütuseid ainult selleks ettenähtud mahutites. Hoidke kütust lastele kättesaamatus kohas.
- Bensiini ja kahetaktilise mootori õli segamisel kasutage ainult sellist bensiini, mis ei sisalda etanooli ega metanooli (alkoholid). See aitab ära hoida kütusekanalite ja mootori teiste osade kahjustusi.



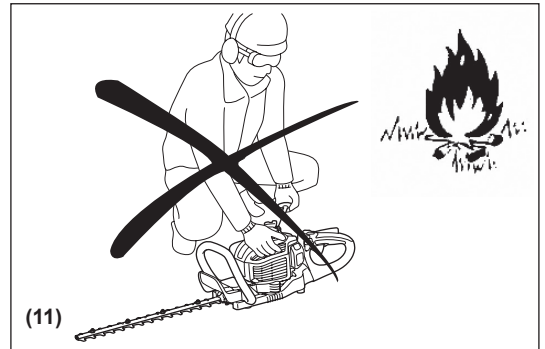
Töömeetod

- Kasutage töö ajal alati kahte kätt ja hoidke kinni mõlemast käepidemest.
- Kasutage hekitrimmerit ainult valges ja hea nähtavusega kohas. Olge eriti tähelepanelik külmal ajal, kui maapind võib olla libe, märg, jääne või lumine (libisemisoht). Jälgige kogu töötamise vältel, et seisaksite kindlalt.
- Ärge töötage kunagi ebakindlal või järsu kallakuga pinnal seistes.
- Ärge kasutage töötavat hekitrimmerit redelil seistes.
- Ärge ronige hekitrimmeriga lõikamiseks kunagi puu otsa.
- Komistamise ja kontrolli kaotuse vältimiseks ärge kõndige masina kasutamise ajal tagurpidi.
- Enne puhastamist, hooldamist ja osade vahetamist jätke mootor alati seisma.
- Ärge kasutage masinat, kui selle lõikeseade on vigastatud või tugevalt kulunud.



Hooldusjuhised

- Säastke keskkonda. Püüdke hekitrimmeriga töötamisel tekitada võimalikult vähe müra ja saastet. Kontrollige eelkõige karburaatori õiget reguleeritust.
- Puhastage hekitrimmerit regulaarselt ning kontrollige, et kõik kruvid ja mutrid oleksid kindlalt kinni keeratud.
- Ärge hooldage ega hoidke hekitrimmerit kunagi lahtise leegi, sädemete vms läheduses (11).
- Enne hekitrimmeri hoiule panekut tühjendage selle kütusepaak.
- Tulekahju vältimiseks ärge hoiustage hekitrimmerit kunagi lahtise leegi läheduses.
- Hoidke hekitrimmerit hea tuulutusega kohas lastele kättesaamatult kõrgel riulil või luku taga.
- Ärge püüdke masinat parandada, kui teil puudub selleks vajalik väljaõpe.



Järgige kutseühingute ohutuskomisjonide ja kindlustusfirmade kõiki asjakohaseid õnnetuste ennetamise juhiseid. Hekitrimmeri mis tahes muutmine on keelatud, kuna see on teile ohtlik.

Kasutajal on lubatud teha seadme juures ainult neid hooldus- ja remonditöid, mida on kirjeldatud käesolevas kasutusjuhendis. Kõik muud tööd tuleb lasta teha ametlikus teeninduses.

Kasutage ainult MAKITA ametlike teeninduskeskuste poolt müüdavaid originaalvaruosid ja tarvikuid.

Teiste firmade tarvikute ja lõikeriistade kasutamisel on õnnetuste ja vigastuste oht suurem. MAKITA ei vastuta õnnetuste ega kahjude eest, mis on tingitud teiste firmade tarvikute kasutamisest.

Esmaabi

Tagage, et lõiketööde teostamiskoha läheduses oleks õnnetuste puhuks olemas hästi varustatud esmaabikomplekt, mis vastab standardile DIN 13164.

Asendage kohe kõik vahendid, mille olete esmaabikomplektist ära tarvitanud.

Kui kutsute kiirabi, palun teatage järgmised andmed:

- õnnetuse toimumise koht
- õnnetuse kirjeldus
- vigastatud isikute arv
- vigastuste raskus
- teie nimi



Pakend

MAKITA hekitrimmer tarnitakse kaitsvas pappkarbis, et vältida transpordikahjustusi. Pakendi papp on põhiline toomaterjal ning seetõttu saab seda uuesti kasutada või ümber töödelda (paberijäätmete ümbertöötlus).



EÜ VASTAVUSDEKLARATSIOON

Makita korporatsiooni vastutava tootjana kinnitame, et alljärgnev(ad) Makita seade (seadmed):

Masina nimetus: Bensinimootoriga hekitrimmer

Mudeli nr / tüüp: EH5000W, EH6000W, EH7500W

Tehnilised andmed: vt tabel „TEHNILISED ANDMED“

on seeriatoodang ja

vastab järgmiste Euroopa direktiivide nõuetele:

2000/14/EÜ, 2006/42/EÜ

ning on toodetud vastavalt järgmistele standarditele või standardiseeritud dokumentidele:

EN ISO 10517

Tehnilist dokumentatsiooni hoitakse meie volitatud esindaja käes Euroopas, kelleks on:

Makita International Europe Ltd.

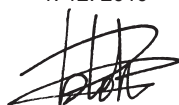
Michigan Drive, Tongwell, Milton Keynes, Bucks MK15 8JD, Suurbritannia

Vastavushindamise protseduur direktiivi 2000/14/EÜ alusel oli kooskõlas lisaga V.

Mõõdetud helivõimsuse tase: EH5000W 104,0 dB (A), EH6000W 104,2 dB (A), EH7500W 104,8 dB (A)

Garanteeritud helivõimsuse tase: kõigil mudelitel 106 dB (A)

1. 12. 2010



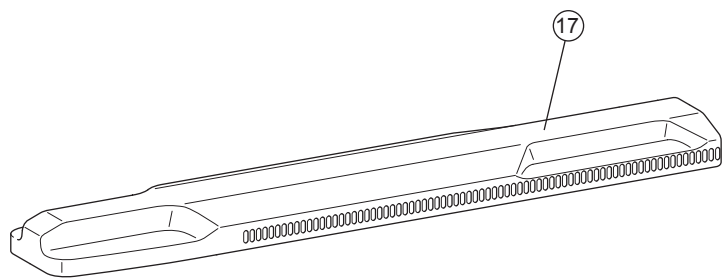
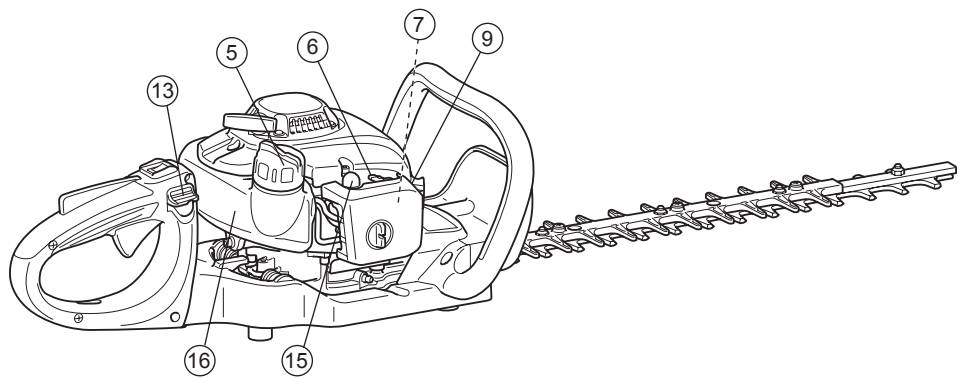
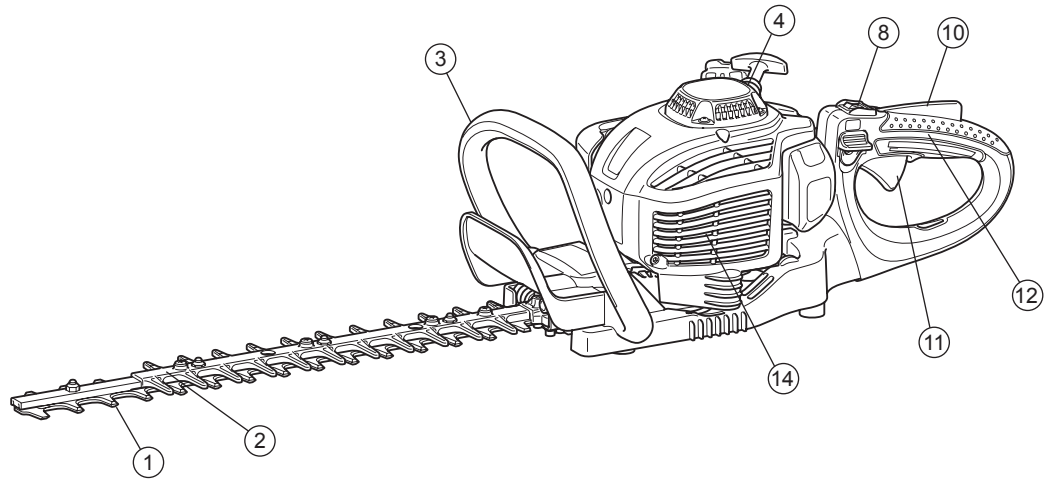
Tomoyasu Kato
Direktor

Makita Corporation
3-11-8, Sumiyoshi-cho,
Anjo, Aichi, 446-8502, JAPAN

TEHNILISED ANDMED

Mudel			EH5000W	EH6000W	EH7500W	
Mõõtmed (P x L x K)	mm		1014 x 262 x 216	1119 x 262 x 216	1259 x 262 x 216	
Kaal (ilma terakatteta)	kg		4,8	5,0	5,2	
Maht (kütusepaak)	L		0,4			
Mootori töömaht	cm ³		22,2			
Lõikepikkus	mm		483	588	728	
Maksimaalne mootori võimsus	kW		0,68			
Käikude arv minutis	min ⁻¹		4270			
Tühikäik	min ⁻¹		3000			
Sidurdamise kiirus	min ⁻¹		4000			
Karburaatori tüüp	tüüp		WALBRO WYL			
Süütesüsteem	tüüp		Kontaktivaba elektronsüüde			
Süüteküüнал	tüüp		NGK CMR6A			
Elektroodide vahe	mm		0,7 - 0,8			
Vibratsioon vastavalt standardile EN ISO 10517	Parempoolne käepide	$a_{hv eq}$	m/s ²	2,5	2,7	2,3
		Määramatus K	m/s ²	1,3	1,1	1,6
	Vasakpoolne käepide	$a_{hv eq}$	m/s ²	2,5	2,8	2,3
		Määramatus K	m/s ²	1,3	1,1	1,2
Müra vastavalt standardile EN ISO 10517	Helirõhu tase		dB (A)	93,0	92,8	93,9
		Määramatus K	dB (A)	1,4	2,2	1,2
	Helivõimsuse tase		dB (A)	103,0	103,2	103,8
		Määramatus K	dB (A)	2,1	1,5	1,3
Segamisvahekord (kütus: mootoriõli)	MAKITA originaalne kahetaktilise mootori õli		50 : 1			
	Muu tootja kahetaktilise mootori õli		25 : 1			
Ülekandearv			9 : 43			

OSADE NIMETUSED



	OSADE NIMETUSED		OSADE NIMETUSED		OSADE NIMETUSED
1	Tera	7	Karburaator (ei ole pildil)	13	Vallandushoob
2	Nüri pikendus	8	Käivituslüüti (SEES-VÄLJAS)	14	Summuti
3	Eesmine käepide	9	Süüteküünal	15	Eeltäitepump
4	Tõmbestarter	10	Lahtilukustuse hoob	16	Kütusepaak
5	Kütusepaagi kork	11	Gaasihoob	17	Terakate
6	Õhuklapi hoob	12	Tagumine käepide		

KÜTUSED/KÜTUSE LISAMINE

Kütuse ja õli segu

- Hekitrimmeri mootor on suure kasuteguriga kahetaktiline mootor. Selles kasutatakse kütuse ja kahetaktilise mootori õli segu. Mootor on mõeldud töötama pliivaba tavakütusega, mille oktaanarv on vähemalt 91 ROZ. Kui sellist kütust pole saada, võib kasutada kõrgema oktaanarvuga kütust. See ei kahjusta mootorit, aga võib halvendada seadme töömoodusi. Sarnane olukord tekib pliidi sisaldava kütuse kasutamisel. Mootori optimaalse töö tagamiseks ning Teie tervise ja keskkonna kaitsmiseks tuleb kasutada ainult pliivaba kütust.
- Kasutage mootori määrimiseks kahetaktilise mootori õli (kvaliteediklass: TSC-3), mis lisatakse kütusele. Mootor on mõeldud kasutamiseks MAKITA kahetaktilise mootori õliga vahekorras 50:1, et kaitsta keskkonda. Lisaks tagab see seadme pika kasutusaja ja töökindluse ning vähendab heitgaaside hulka. Vahekorra 50:1 (MAKITA 2-taktilise mootori õli) kasutamine on äärmiselt oluline; vastasel korral ei ole võimalik tagada hekitrimmeri töökindlust.
- Õige segamisvahekord:
bensiin: juhendis nimetatud kahetaktilise mootori õli = 50 : 1 või
bensiin: muu tootja kahetaktilise mootori õli = 25 : 1
soovituslik

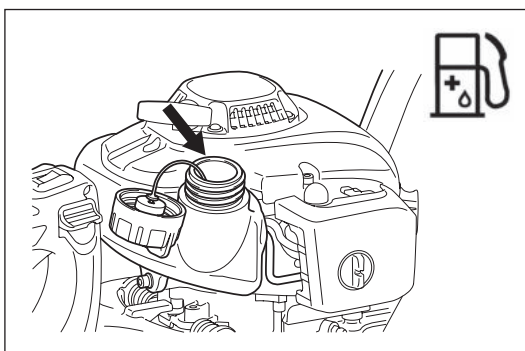
MÄRKUS: Kütuse ja õli segu valmistamiseks segage esmalt kogu vajalik õlikogus poolega vajalikust kütusekogusest sobivas kanistris, mis vastab vähemalt kõigi kohalike eeskirjade nõuetele. Seejärel lisage ülejäänud kütus. Enne hekitrimmeri paagi täitmist loksutage segu korralikult läbi. Ohutu töö tagamiseks ärge lisage rohkem mootoriõli kui ette nähtud. Selle tagajärjel tekib ainult rohkem põlemisjääke, mis saastavad keskkonda ning ummistavad silindri heitgaasikanalit ja summutit. Lisaks suureneb kütusetarve ja seadme töömoodused halvenevad.

Naftasaaduste käsitlemine

Kütustega töötamisel tuleb olla äärmiselt ettevaatlik. Kütused võivad sisaldada lahustisarnaseid aineid. Lisage kütust hästi ventileeritavas kohas või vabas õhus. Vältige kütuseaurude sissehingamist ning kütuse ja õli kokkupuudet nahaga. Korduval ja pikaajalisel kokkupuutel selliste ainetega tekib nahakuivus. Selle tagajärjeks võivad olla mitmesugused nahahaigused. Lisaks on inimestel esinenud allergilisi reaktsioone. Silma sattumisel põhjustavad õli, kütus jms ained silmaärritust. Kui õli, kütus vms aine satub silma, loputage silma kohe puhta veega. Kui silmaärritus ei taandu, pöörduge kohe arsti poole!



Järgige leheküljel 89 esitatud ohutusjuhiseid.



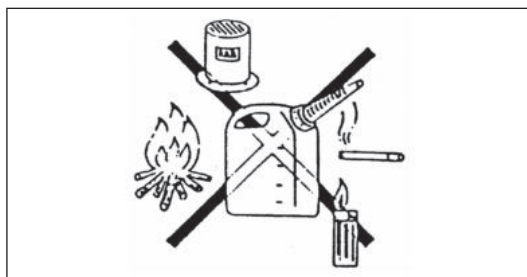
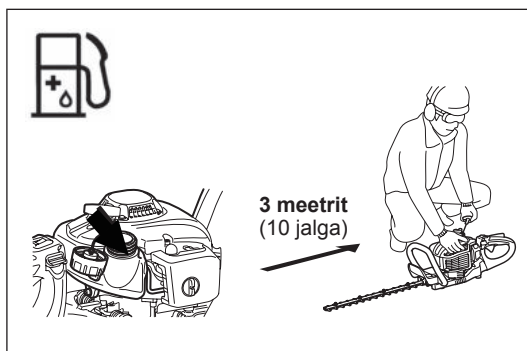
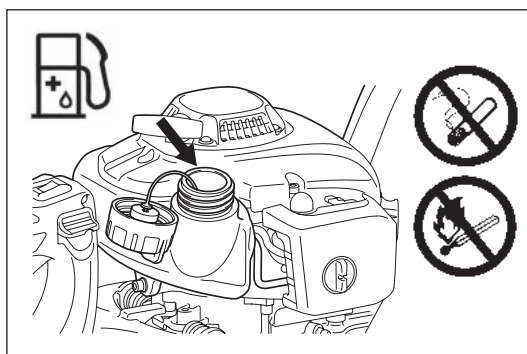
Bensiin	+	Õli
	50:1	
	50:1	25:1
1000 cm ³ (1 liiter)		20 cm ³ 40 cm ³
5000 cm ³ (5 liitrit)		100 cm ³ 200 cm ³
10000 cm ³ (10 liitrit)		200 cm ³ 400 cm ³

Kütuse lisamine

- Mootor peab olema välja lülitatud.
- Seisake mootor kütuse lisamise ajaks, hoiduge lahtisest tulest ja ärge suitsetage.
- Ärge laske kütust või õli maha voolata, et vältida maapinna saastumist. Pühkige kütusepritsmed kohe hekitrimmerilt ära.
- Ärge pritsige kütust mootorile. Pühkige seadmele sattunud kütusepritsmed ära.
- Vältige kütuse sattumist riidele. Kütusega määratud riided tuleb kohe ära vahetada (et vältida nende süttimist).
- Kontrollige regulaarselt, kas kütusepaagi korki saab korralikult kinni keerata ja see ei leki.
- Keerake kütusepaagi kork hoolikalt kinni. Mootori käivitamiseks vahetage seadme asukohta (vähemalt 3 meetri kaugusel kütuse lisamise kohast).
- Ärge kunagi lisage kütust kinnistes ruumides. Kütuseaurud kogunevad põrandale. (plahvatusoht)
- Transportige ja säilitage kütust ainult selleks ettenähtud mahutites. Hoidke kütust lastele kättesaamatus kohas.
- Puhastage hoolikalt kütusepaagi korgi ümbrus, et vältida mustuse sattumist kütusepaaki.
- Keerake kork lahti ja täitke paak kütusega. Kasutage kütuse filtreerimiseks marliga lehrtrit.
- Keerake kork käega tugevalt kinni.
- Puhastage korgi ümbrus ja paak pärast kütuse lisamist.
- Süttimise vältimiseks pühkige alati ära kõik kütusepritsmed.

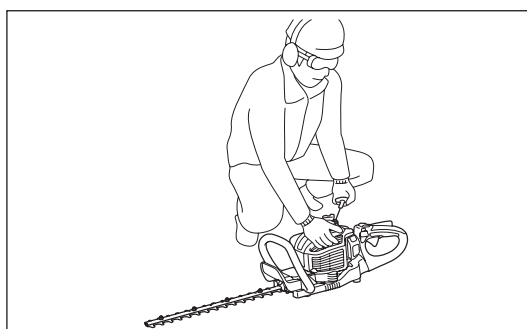
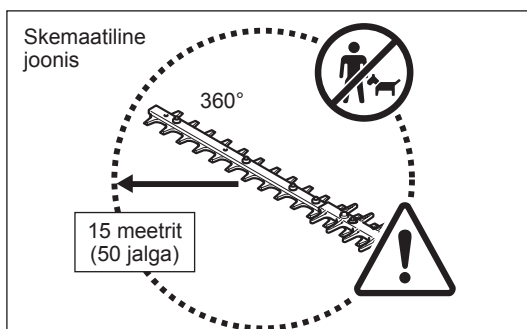
Kütuse hoiustamine

- Kütust ei saa hoida piiramatul aja jooksul.
- Ostke ainult selline kütusekogus, mille kasutate ära 4 nädala jooksul.
- Kasutage ainult nõuetekohaseid kütusemahuteid.



KÄIVITUSEELSED ETTEVAATUSABINÕUD

- Veenduge, et 15 meetri raadiuses töötamispiirkonnas ei oleks lapsi ega teisi kõrvalisi isikuid. Pöörake tähelepanu ka loomadele, kes võivad töötamispiirkonnale läheneda.
- Enne kasutamist kontrollige alati, et hekitrimmer oleks töökorras. Kontrollige, kas löikeseade pole vigastatud, juhthoob liigub kergelt ning käivituslülitil on töökorras. Veenduge, et lõiketerad ei liigu, kui mootor on tühikäigul. Kui kahtlete, siis pöörduge reguleerimiseks müügiesindaja poole. Kontrollige, kas käepidemed on puhtad ja kuivad, ning testige käivituslülitil funktsioneerimist.
- Käivitage hekitrimmer vastavalt juhiste. Ärge kasutage mootori käivitamiseks teisi meetodeid. (vt „Käivitamine“)
- Käivitage mootor alles pärast seda, kui seade on lõpuni kokku pandud. Mootori võib käivitada alles pärast kõigi nõuetekohaste tarvikute kinnitamist. Vastasel korral tekib vigastuste oht.
- Enne alustamist veenduge, et lõiketerad ei puutu ühegi eseme, nt okste, kivide vms vastu.
- Enne lõikamist vaadake, kas tööpiirkonnas ei ole traate, juhtmeid, klaasi või muid kõrvalisi esemeid, mis võivad teraga kokku puutuda.
- Elektrilöökk. Olge tähelepanelik kõigi elektriliinide ja elektriaedade suhtes. Kontrollige enne lõikamist elektriliinide olemasolu.



MASINA KÄIVITAMINE

Minge kütuse lisamise kohast vähemalt 3 meetri kaugusele. Asetage hekitrimmer maapinnal puhtale kohale. Veenduge, et lõiketerad ei puutu vastu maapinda ega mingeid kõrvalisi esemeid.

Külmkäivitus: (Kui mootor on külm, on seisnud kauem kui 5 minutit või kui mootorile on lisatud kütust.)

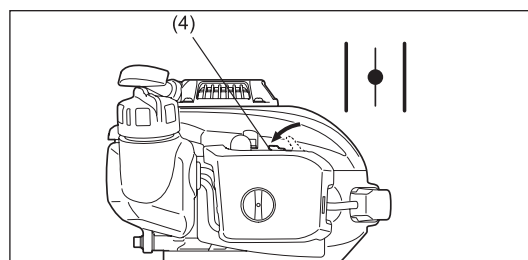
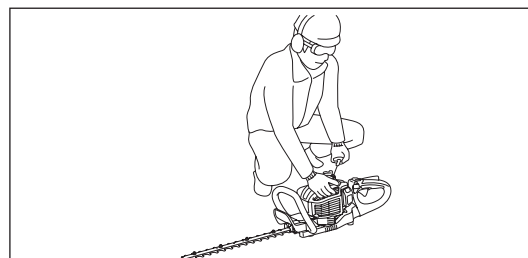
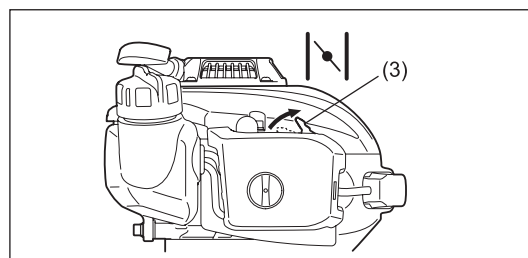
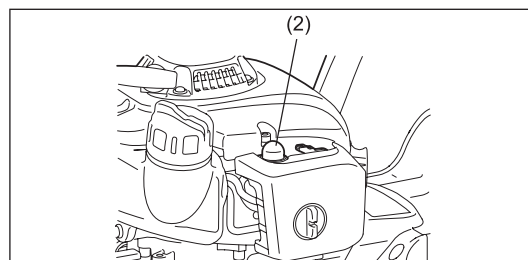
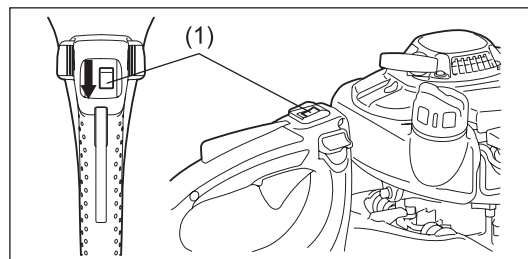
1. Lükake käivitusüliliiti (1) asendisse „I“.
2. Vajutage eeltäitepumpa (2) korduvalt (7 – 10 korda), kuni kütus jõuab eeltäitepumpa.
3. Viige õhuklapi hoob (3) asendisse „|”|“.
4. Hoidke hekitrimmerit kindlalt vastu maad, et vältida kontrolli kaotamist mootori käimatõmbamise ajal. Vastasel korral tekib oht saada raskeid kehavigastusi ja/või varalist kahju kukkumise või lõiketera vastu puutumise tõttu.
5. Tõmmake starterikäepide aeglaselt 10 – 15 cm välja, kuni tunnete takistust.
6. Tõmmake starterikäepidet tugevalt ja käivitage mootor.
7. Kui mootor on käivitunud või siis, kui see korraks käivitus ja seejärel seiskub, viige õhuklapi hoob (4) tagasi asendisse „|”|“.
8. Enne täisgaasi andmist laske mootoril mõõdukal kiirusel umbes minut aega töötada.

Märkus:

- Kui starteri käepidet tõmmatakse korduvalt ja samal ajal jääb õhuklapi hoob asendisse „|”|“, siis on mootorit raske käivitada kütuse liigse sisselaske tõttu.
- Kütuse liigse sisselaske korral eemaldage süüteküünal ja tõmmake starteri käepidet aeglaselt, et liigne kütus eemaldada. Kuivatage ka süüteküünla elektroodi piirkonda.

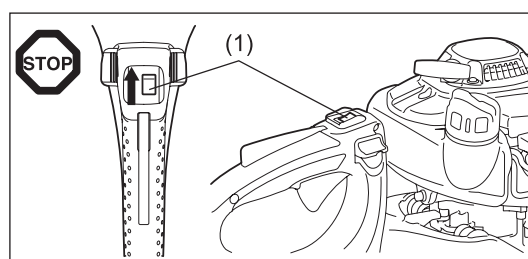
Kuumkäivitus: (mootori käivitamine vahetult pärast selle seiskamist) Sooja mootori käivitamisel proovige kõigepealt teostada eespool kirjeldatud toiminguid 1, 2, 4, 5, 6, kusjuures õhuklapi hoob (4) peab olema asendis „|”|“. Kui mootor ei käivitu, korrake samme 1 – 8.

Märkus: Ärge tõmmake starteritrossi lõpuni välja. Ärge laske tagasi liikuvast starterikäepidemest lahti. Tagage, et starteritrossi sisetõmbamine toimuks aeglaselt.



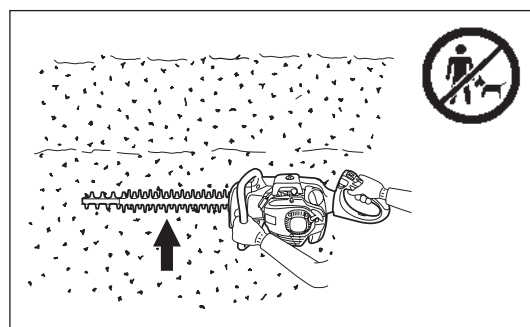
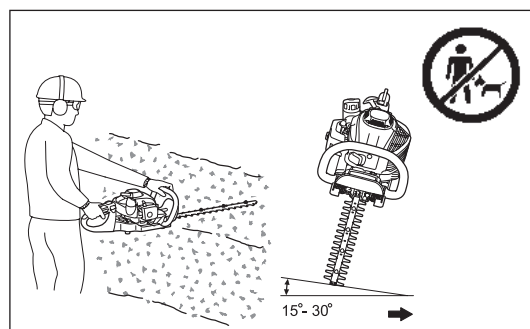
MASINA SEISKAMINE

1. Laske gaasihoob täiesti lahti.
2. Lükake käivitusüliliiti asendisse „O“. Mootor aeglustub ja seiskub.



MASINAGA TÖÖTAMINE

- Ärge kunagi hoidke töötavat hekitrimmerit lõdva käega.
- Ärge puudutage lõiketerasid mootori käivitamise ja seadmega töötamise ajal.
- Kasutage hekitrimmerit nii, et te töötamise ajal heitgaase sisse ei hingaks. Ärge käivitage mootorit suletud ruumides (mürgituse oht). Süsinikmonooksiid on lõhnatu gaas.
- Kõik masinaga kaasasolevad kaitseseadised, nt kaitsekatted, peavad töötamise ajal olema paigaldatud.
- Ärge käivitage mootorit, kui summuti on vigane või puudub.
- Kasutage hekitrimmerit ainult valgus ja hea nähtavusega kohas.
- Olge eriti tähelepanelik talvel, kui on libe, märg, jääne ja lumine. (libisemisoht) Jälgige kogu töötamise vältel, et seisaksite kindlalt.
- Ärge kasutage töötavat hekitrimmerit redelil seistes. Seiske kahe jalaga maapinnal.
- Ärge ronige hekitrimmeriga lõikamiseks kunagi puu otsa.
- Ärge töötage kunagi ebakindlal alusel seistes.
- Eemaldage tööpiirkonnast liiv, kivid, naelad, traadid jms. Võõrkehad võivad lõiketerasid vigastada.
- Enne hekitrimmeriga lõikamise alustamist lõigake 8 mm või paksemad oksad ära oksakääridega.
- Lõiketerad peavad enne lõikamise alustamist olema saavutanud täiskiiruse.
- Hoidke hekitrimmerit alati kindlalt kahe käega mõlemast käepidemest.
- Kasutage tugevat haaret, nii et põidlad ja sõrmed haaraksid ümber käepidemete.
- Gaasi vabastamise järel kulub mõni hetk, enne kui lõiketerad peatuvad.
- Ärge laske hekitrimmeril töötada kiirel tühikäigul. Kui tühikäigu kiirus on liiga suur, ei ole võimalik lõikamiskiirust gaasihoova abil reguleerida.
- Hoidke hekitrimmerit lõikamise ajal nii, et terad oleksid lõikejoone suhtes 15 – 30° nurga all.
- Olge eriti tähelepanelik siis, kui lõikate traataedade lähedal või vastas asetsevaid hekke.
- Ärge laske lõiketeradel puutuda vastu kõvasid objekte nagu traataiad, kivid või maapind. Need võivad teradest kilde välja lüüa või põhjustada terade pragunemist või murdumist.
- Kui lõiketerad peaks tabama kive või muid kõvasid esemeid, siis lülitage mootor kohe välja ja kontrollige lõiketerasid. Enne töö jätkamist vahetage kahjustatud terad välja.
- Tehke regulaarseid puhkepause. Makita soovib teha 10 – 20-minutilisi pause iga 50-minutilise kasutusperioodi järel.
- Mootori probleemide korral lülitage mootor kohe välja.
- Püüdke hekitrimmeriga töötamisel tekitada võimalikult vähe müra ja saastet. Pöörake erilist tähelepanu karburaatori õigele reguleerimisele ning kütuse ja õli vahekorrale.
- Ärge kunagi püüdke eemaldada kinni jäänud lõigatavat materjali, kui terad töötavad. Asetage seade maha, lülitage see välja ja eemaldage lõigatud materjal siis.



TAGUMISE KÄEPIDEME NURGA REGULEERIMINE

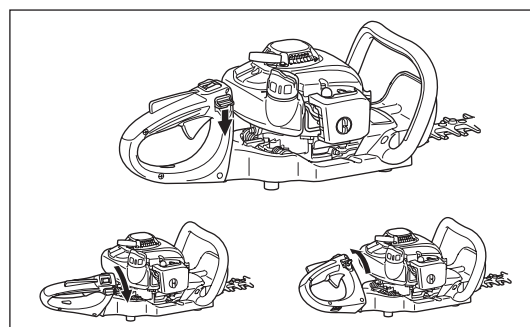
Tagumist käepidet on võimalik keerata 90° ulatuses vasakule või paremale ja fikseerida iga 45° tagant.

Nurga muutmiseks:

1. Vajutage vallandushooba, et lukk vabastada.
2. Viige käepide 0°, 45° või 90° nurga alla.
3. Veenduge, et vallandushoob läheb tagasi lähteasendisse ja fikseerib luku.

Ärge tõmmake gaasihooba siis, kui lukk on vabastatud.

Ärge vabastage lukku seadme töötamise ajal.



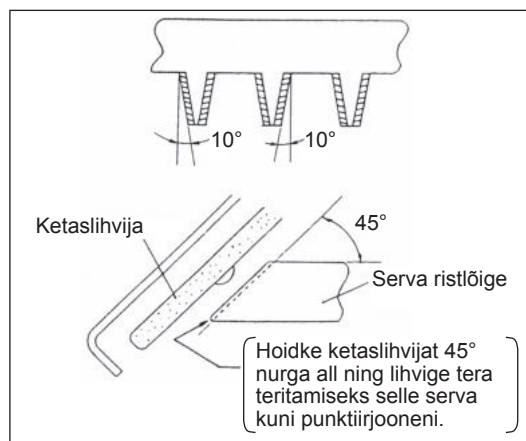
HOOLDUSJUHISED

- Enne lõiketerade puhastamist/vahetamist/teritamist või mis tahes hooldustöid, lülitage mootor välja ning võtke süüteküünla piip lahti.
- Ärge õgvendage ega keevitage kahjustatud lõiketera.
- Kontrollige sageli lõiketerade korrasolekut, nii et mootor on välja lülitatud.
- Hoidke lõiketerad teravad.
- Puhastage hekitrimmerit regulaarselt ning kontrollige, kas kõik poldid ja mutrid on korralikult kinni.
- Tulekahju vältimiseks ärge hooldage hekitrimmerit kunagi lahtise leegi läheduses.
- Teradega töötamisel või nende teritamisel kandke alati nahkkindaid, kuna terad on teravad.

Terade teritamine

Kui terad on ümaraks muutunud ja ei lõika enam hästi, lihvide maha ainult joonisel näidatud toonitud osa. Ärge teritage ülemise ega alumise serva kontaktpindu (libisemispindu).

- Enne teritamist kinnitage tera korralikult, lülitage mootor välja ja võtke lahti süüteküünla piip.
- Kandke kindaid, kaitseprille jms.
- Ärge lihvide maha liiga palju materjali. Sellega kaob ära kõvastatud kiht, mistõttu terad hakkavad väga kiiresti nürinema.



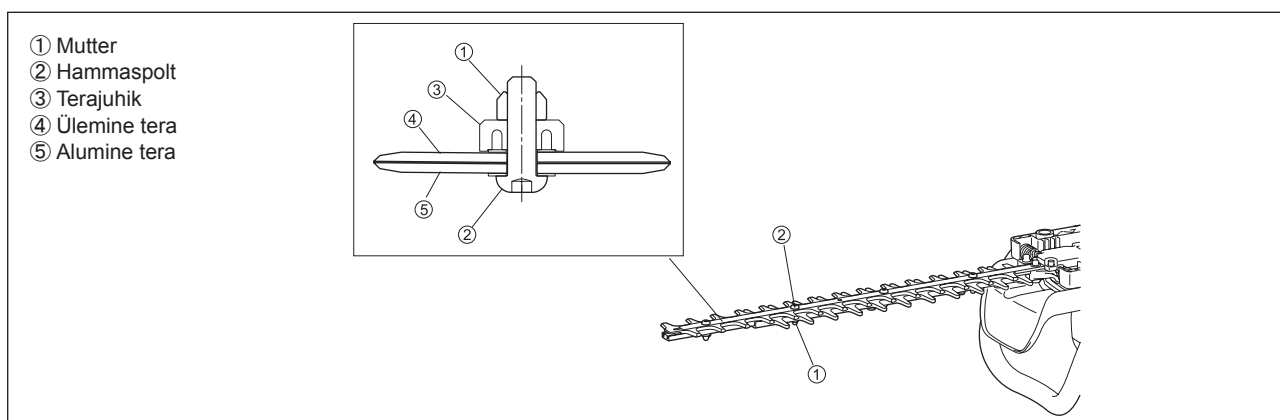
Terade vahe reguleerimine

Ülemised/alumised lõiketerad kuluvad. Kui Teil ei õnnestu teha puhast lõiget, kuigi terad on piisavalt teravad, reguleerige terade vahet vastavalt alltoodud juhistelet.

1. Võtke ära nüri pikendus, keerates lahti selle poldid.
2. Keerake padrun- või lehtvõtme abil lahti mutter (1).
3. Pingutage kuuskantvõtmega kergelt hammaspolti (2), kuni see peatub, ning keerake seda siis veerand pöörde võrra tagasi.
4. Pingutage mutter (1), hoides hammaspolti (2) paigal.
5. Kandke terade hõõrdepinnale õhuke õlikiht.
6. Käivitage mootor ning laske sellel minut aega koos gaasiga ja ilma töötada.
7. Mõõtke aeg, mis lõiketeradel kulub peatumiseks pärast gaasi vabastamist. Kui see aeg on kaks sekundit või rohkem, seisake mootor ja korrake samme 2 kuni 7.
8. Peatage mootor ja katsuge terade pinda. Kui need ei ole puudutamiseks liiga kuumad, on lõiketerad õigesti reguleeritud. Kui need on puudutamiseks liiga kuumad, keerake hammaspolti (2) natuke tagasi ja korrake samme 6 kuni 8.
9. Pange nüri pikendus tagasi, keerates selle poldid kinni.

MÄRKUS: Enne reguleerimist seisake mootor ja oodake, kuni lõiketerad on peatunud.

Teradel on poldi (2) ümber süvend. Kui leiate mõnest sellisest süvendist mustust, puhastage see.



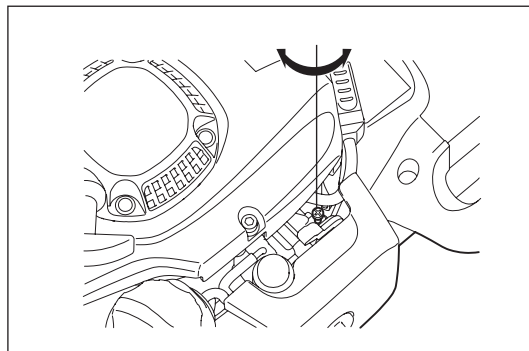
Tühikäigu kiiruse kontrollimine ja reguleerimine

Lõiketerad ei tohiks mootori tühikäigu ajal liikuda.

- Tühikäigu kiirus peab olema 3000 min⁻¹ (rpm).
- Vajaduse korral reguleerige tühikäigukruvi (lõiketerad ei tohi mootori tühikäigu ajal liikuda).
 - Lõiketerad liiguvad mootori tühikäigu ajal – keerake tühikäigukruvi vastupäeva suunas, et vähendada tühikäigukiirust.
 - Mootor seiskub tühikäigu ajal – keerake tühikäigukruvi päripäeva suunas, et suurendada tühikäigukiirust.

Kui lõiketerad liiguvad tühikäigul ka pärast reguleerimist, pöörduge lähima ametliku teeninduse poole.

- Sidur peaks rakenduma pöörete arvul alates 3750 min⁻¹ (rpm).
- Kontrollige käivituslülitit, lukustushoova ja gaasihoova töökorras olekut.



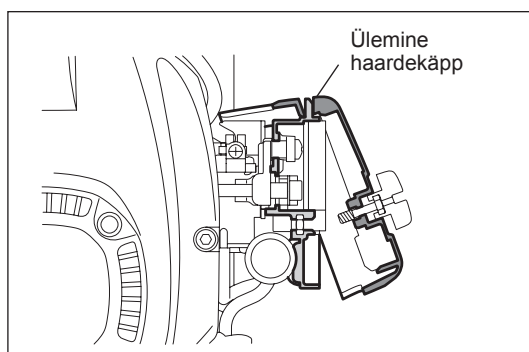
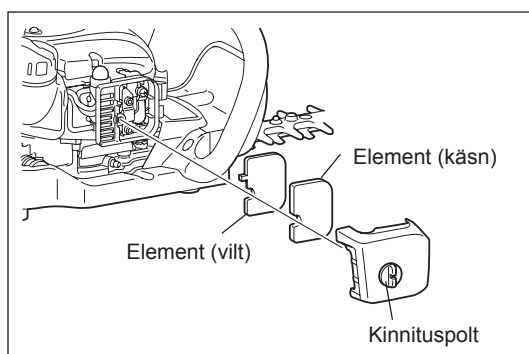
Õhufiltri puhastamine



OHTLIK: Kergestisüttivad ained ja materjalid on rangelt keelatud!

Kontrollige ja puhastage õhufiltrit igapäevaselt või iga 10 töötundi järel.

- Keerake õhuklapi hoob täiesti suletud asendisse ning vältige tolmu ja mustuse sattumist karburaatorisse.
- Lõdvendage kinnituspolti.
- Võtke õhufiltri kaas lahti, tõmmates seda vasakult poolt ning liigutades ette.
- Kui elemendis (käsnn) on õli, siis pigistage seda tugevasti.
- Tugeva määrumise puhul:
 - 1) eemaldage element (käsnn), kastke see sooja vette või veega lahjendatud neutraalsesse puhastusvahendisse ja kuivatage täielikult;
 - 2) puhastage elementi (vilt) bensiiniga ja laske sel täiesti ära kuivada.
- Enne elemendi kinnitamist peab see olema täielikult kuivanud. Ebapiisava kuivamise korral võib käivitamine olla raskendatud.
- Pühkige puhastuslapiga ära õhufiltri ümber olev õli.
- Kohe, kui puhastamine on lõpetatud, pange tagasi õhufiltri kaas ja keerake see kinnituspoltidega kinni. (Tagasipanekul asetage esimesena kohale ülemine haardekäpp.)



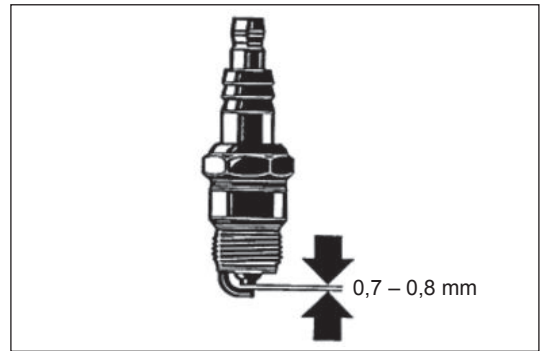
Olulised punktid õhufiltri elementide käsitlemisel

- Puhastage elementi mitu korda päevas, kui sellele kleepub liigselt tolmu.
- Õlise elemendiga töötamise korral võib õli õhufiltrist välja valguda ning tekitada õlireostust.

Süüteküünla kontrollimine

Kontrollige ja puhastage süüteküünalt igapäevaselt või iga 8 töötunni järel.

- Kasutage süüteküünla eemaldamiseks ja paigaldamiseks ainult seadmega kaasasolevat universaalvõtit.
- Süüteküünla elektroodide vahe peab olema 0,7 – 0,8 mm. Reguleerige vahet, kui see on liiga suur või liiga väike. Kui süüteküünal on süsinikuga ummistunud või saastunud, siis puhastage seda põhjalikult või asendage. Kasutage asenduseks täpselt samasugust küünalt.



Määrde lisamine

- Lisage määrde iga 50 töötunni järel läbi määrdenipli. (Shell Alvania nr 3 või samaväärne määrde)

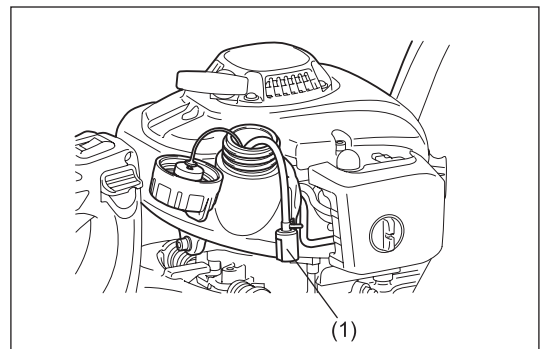
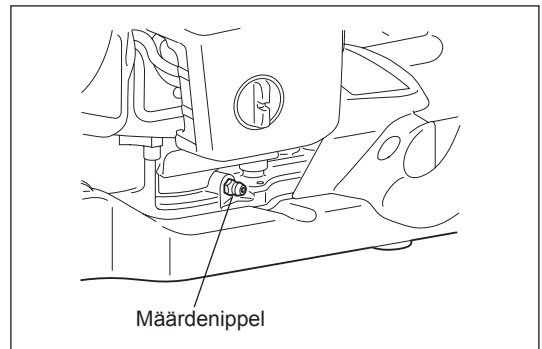
MÄRKUS: Järgige määrde lisamisel kindlasti ettenähtud aega ja määrdekogust. Vastasel korral võib määrde vähesus põhjustada probleeme masina töös.

Kütusefiltri (kütusepaagis asuva imipea) puhastamine

HOIATUS: Kergestisüttivad ained ja materjalid on rangelt keelatud!

Kontrollige ja puhastage kütusefiltrit üks kord kuus või iga 50 töötunni järel.

- Imipea vildist kütusefiltrit (1) kasutatakse karburaatoris vajitava kütuse filtreerimiseks.
- Kontrollige filtrit regulaarselt välise vaatluse abil.
- Vildist filtri kontrollimiseks avage paagi kork ja tõmmake imipea traatkonksuga läbi paagi avause välja. Vahetage filter välja, kui see on kõvastunud, määrdundud või ummistunud.
- Vahetage vildist filtrit vähemalt üks kord kvartalis, et tagada karburaatorile piisav kütusevarustus. Vastasel korral võib ebapiisav kütusevarustus põhjustada tõrkeid mootori käivitamisel ja vähendada suurimat töökiirust.



Kütuseatoru vahetamine

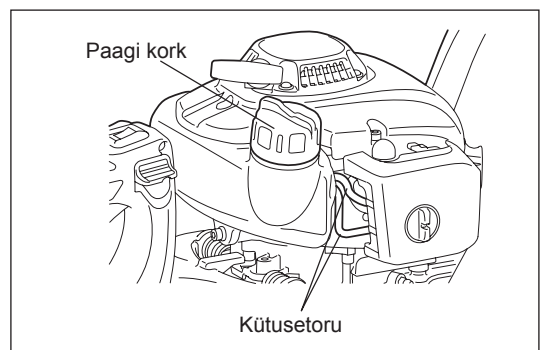
ETTEVAATUST: Kergestisüttivad ained ja materjalid on rangelt keelatud!

Kontrollige ja puhastage kütuseatoru igapäevaselt või iga 10 töötunni järel. Vahetage kütuseatoru iga 200 töötunni järel või üks kord aastas, olenemata seadme kasutussagedusest. Vastasel korral võib kütuse lekkimine põhjustada tulekahju.

Kui leiate kontrollimise käigus lekkeid, siis asendage toru kohe.

Kütusepaagi korki vahetamine

- Kui paagi kork on mõranenud või muud moodi kahjustunud, siis asendage see.
- Paagi kork kulub aja jooksul. Vahetage seda iga kahe või kolme aasta järel.



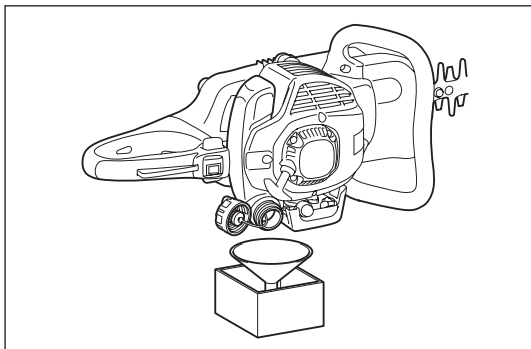
Käesolevas juhendis kirjeldamata hooldus- ja reguleerimistööde kohta küsige lisateavet Makita kohalikust ametlikust teenindusest.

Igapäevane kontrollimine ja hooldus

Seadme pika kasutusea tagamiseks ja kahjustuste vältimiseks tuleb regulaarselt teostada järgmisi hooldustöid.

- Enne kasutamist:
 - Kontrollige, et seadmel ei esineks lahtisi kruve ning et ükski seadmeosa ei puuduks. Pöörake erilist tähelepanu lõiketera kruvide kinnitusele.
 - Kontrollige jahutusõhu kanalit ja silindri ribisid ummistuse esinemise suhtes. Vajaduse korral puhastage neid.
 - Puhastage kütusepaaki ja kontrollige, et seal poleks võõrkehi ning et paagist ei lekiks kütust.
- Pärast kasutamist:
 - Puhastage hekitrimmer väljast poolt ja kontrollige seda kahjustuste suhtes.
 - Puhastage õhufilter. Kui töötate väga tolmuses keskkonnas, siis puhastage filtrit mitu korda päevas.
 - Kontrollige, et terad pole vigastatud ja et nad on kindlalt kinni.

HOIUSTAMINE



- Kui panete masina pikemaks ajaks hoiule, tühjendage kütusepaak ja karburaator kütusest, toimides järgmiselt. Tühjendage kütusepaak täielikult kütusest.
- Eemaldage süüteküünal ja tilgutage mõned tilgad õli läbi süüteküünla augu. Seejärel tõmmake ettevaatlikult starterit, et katta mootori sisemus õlikihiga, ning asetage süüteküünal tagasi.
- Puhastage lõiketerad ja mootori väliskülg mustusest ja tolmust, pühkige neid õlis immutatud lapiga ning asetage masin seisma võimalikult kuiva kohta.

HOOLDUSGRAAFIK

Pärast kütuse lisamist	Gaasihoob Käivituslülit	Kontrollige töökorras olekut Kontrollige töökorras olekut
Enne igakordset kasutamist	Mootorisõlm, poldid ja mutrid Õhufilter Jahutusõhu kanal Lõiketera Tühikäik Kütusepaak	Kontrollige visuaalselt, et ei esine kahjustusi ja kõik on kinni Kontrollige üldist seisukorda ja ohutust Puhastage Puhastage Kontrollige vigastuste esinemist ja teravust Ülevaatus (lõiketera ei tohi liikuda) Kontrollige ja puhastage
Iga 50 tunni järel	Käigukast	Lisage määret
Kord nädalas	Süüteküünal	Kontrollige ja vajadusel vahetage
Kord aastas	Kütusetoru	Asendage
Iga kahe aasta järel	Paagi kork	Asendage
Enne pikaajalist hoiustamist	Kütusepaak Karburaator Imipea	Tühjendage ja puhastage Laske töötada, kuni kütus mootoris otsa saab Asendage

RIKKEOTSING

Rike	Süsteem	Tähelepanek	Põhjus
Mootor ei käivitu või käivitud raskelt	Süütesüsteem	Süüteküünal annab sädet	Viga kütuse etteande- või kompressioonisüsteemis, mehhaaniline viga
		Süüteküünal puudub säde	Käivituslülit väljas, viga juhtmetes või lühis, süüteküünal või süüteküünla piip on vigane, süütemooduli viga
	Kütuse etteandmine	Kütusepaak on täis	Õhuklapp vales asendis, karburaator vigane, imipea (kütusefilter) määrdunud, kütuse etteandeliin paindunud või katkenud
	Kompressioon	Mootori sees	Silindri alumine tihend vigane, vāntvõlli tihendid vigastatud, silinder või kolvirõngad vigased
		Mootorist väljas	Süüteküünla tihendus puudulik
Mehhaaniline viga	Starter ei lülitu sisse	Starteri vedru on katki, mõni mootori osa on purunenud	
Tõrked soekäivitusel		Paak on täidetud, süüteküünal annab sädet	Karburaator on määrdunud, laske see puhastada
Mootor käivitub, kuid sureb kohe välja	Kütuse etteandmine	Paak on täidetud	Tühikäik valesti reguleeritud, imipea või karburaator määrdunud
			Kütusepaagi õhutus kork on vigane, kütuse etteandmine on katkestatud, kaabel või käivituslülit on katki
Ebapiisav jõudlus	Samaaegselt võib olla mitu süsteemi mõjutatud	Mootori tühikäik	Õhufilter on määrdunud, karburaator on määrdunud, summuti on ummistunud, silindri väljalasketoru on ummistunud

Поздравляем Вас с приобретением кустореза MAKITA. Мы рады представить вам кусторез MAKITA, созданный в результате длительной разработки, на основе многолетнего опыта и глубокого знания этой области.

В моделях EH5000W, EH6000W и EH7500W сочетаются преимущества передовых технологий и эргономичного дизайна. Эти инструменты легки, удобны, компактны и представляют собой профессиональное оборудование для самых разнообразных областей применения.

Прочтите, уясните и выполните инструкции в данном буклете, в котором приведено подробное описание изделия, демонстрирующее его исключительные возможности. Это поможет вам безопасно и максимально эффективно использовать кусторез MAKITA.



Содержание	Стр.
Символы	101
Инструкции по технике безопасности	102
Технические данные	105
Компоненты изделия	106
Топливо/заправка	107
Правила по технике безопасности перед началом эксплуатации	108
Включение инструмента	109
Выключение инструмента	109
Эксплуатация инструмента	110
Регулировка угла задней ручки	110
Инструкции по уходу	111
Хранение	114
График технического обслуживания	114
Поиск неисправностей	114

СИМВОЛЫ

При прочтении данной инструкции по эксплуатации важно знать следующие символы.

	ПРЕДОСТЕРЕЖЕНИЕ/ОПАСНОСТЬ		Смесь топлива и масла
	Внимательно прочтите и уясните Инструкцию по эксплуатации		Двигатель - запуск вручную
	Запрещено		Аварийное выключение
	Не курить!		Первая помощь
	Беречь от открытого огня		Вторичная переработка
	Обязательно надевать защитные перчатки		ВКЛ./ПУСК
	Не допускать в рабочую зону посторонних лиц и животных		ВЫКЛ./СТОП
	Использовать средства защиты зрения и слуха		Знак CE

ИНСТРУКЦИИ ПО ТЕХНИКЕ БЕЗОПАСНОСТИ

Общие указания

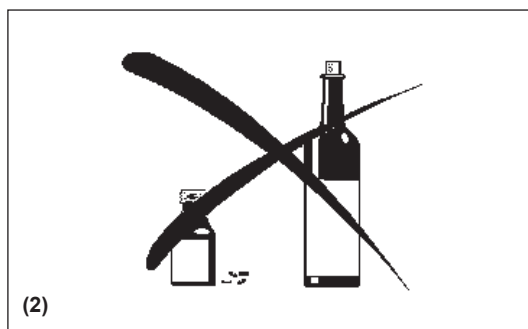
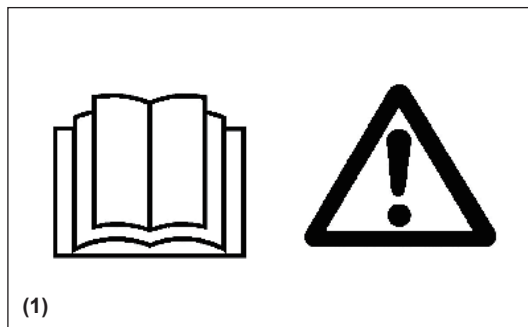
- ДАННОЕ УСТРОЙСТВО МОЖЕТ НАНЕСТИ СЕРЬЕЗНЫЕ ТРАВМЫ. Внимательно ознакомьтесь с инструкциями для надлежащего обращения, подготовки к работе, обслуживания, включения и выключения устройства. Ознакомьтесь со всеми органами управления и правилами правильной эксплуатации изделия. (1)
- Рекомендуется предоставлять кусторез в пользование только тем людям, которые подтвердили наличие опыта в обращении с кусторезом. Обязательно передавайте вместе с устройством и руководство по эксплуатации.
- Пользователям, не имеющим опыта эксплуатации, следует обратиться к дилеру за рекомендациями по использованию кустореза.
- Детям и подросткам до 18 лет не разрешается эксплуатировать кусторез. Вместе с тем, лица старше 16 лет могут использовать устройство для обучения, но только под руководством квалифицированного наставника.
- Используйте кусторез с максимальной осторожностью и вниманием.
- Разрешается эксплуатировать кусторез только если вы находитесь в хорошем физическом состоянии. Выполняйте все работы спокойно и тщательно. Пользователь несет ответственность за окружающих.
- Запрещается использовать кусторез в состоянии алкогольного/ наркотического опьянения, при усталости или болезни. (2)

Назначение устройства

- Кусторез предназначен только для подрезки кустов и живой изгороди. Не используйте инструмент для любых других целей. Бережно обращайтесь с инструментом.

Индивидуальные средства защиты

- Рабочая одежда должна быть функциональной и соответствующей выполняемым работам, т.е. должна быть в меру облегчающей. Не надевайте ювелирные украшения или свободную одежду, которая может зацепиться за кусты или ветки.
- Чтобы избежать травм глаз, рук или ног, а также органов слуха, при эксплуатации кустореза необходимо использовать следующее защитное оборудование и защитную одежду.
- Во время работы с кусторезом обязательно носите защитные очки или щиток для защиты органов зрения от травм. (3)
- Для защиты органов слуха используйте надлежащие устройства (наушники, беруши и пр.). (3)
- Настоятельно рекомендуем надевать рабочий комбинезон. (4)
- Специальные перчатки из толстой кожи входят в перечень необходимого оборудования, во время работы их надлежит использовать в обязательном порядке. (4)
- При использовании кустореза обязательно надевайте прочные ботинки с нескользящей подошвой. Они защитят от травм и обеспечат хорошую устойчивость при работе. (4)



Включение кустореза

- Убедитесь, что в радиусе 15 метров (5) от места работы нет детей и других лиц, обратите также внимание на животных, которые находятся поблизости.
- Перед началом работы обязательно убедитесь в исправности кустореза.
- Проверьте безопасность рычага дроссельной заслонки. Его необходимо проверить на плавность и свободу перемещения. Проверьте надлежащее функционирование блокиратора рычага дроссельной заслонки. Убедитесь, что рукоятки чистые и сухие, и проверьте функционирование выключателя I-O. На рукоятки не должно попадать масло и топливо.

Пуск кустореза следует выполнять согласно инструкциям.

Не используйте другие методы запуска двигателя (6)!

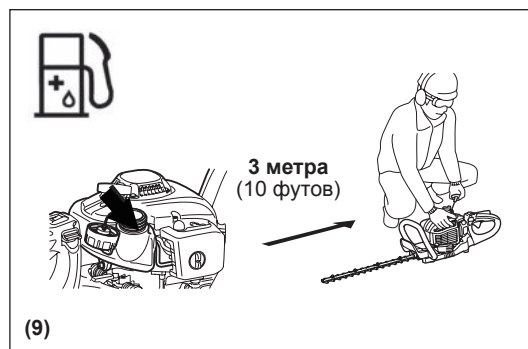
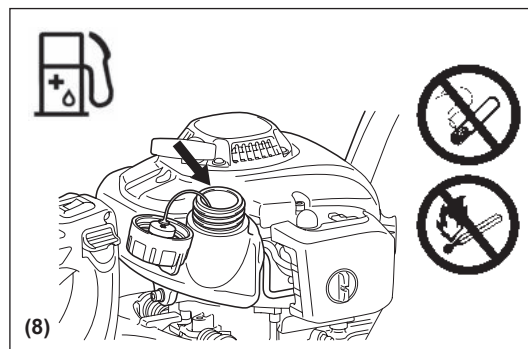
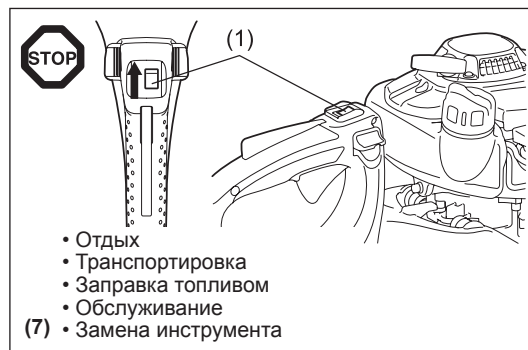
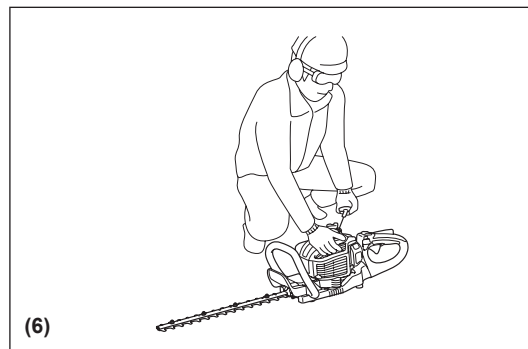
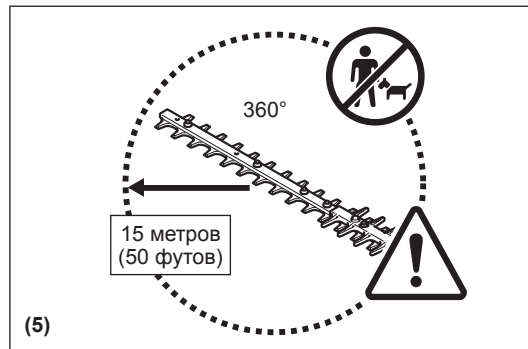
- Используйте кусторез только по назначению.
- Двигатель кустореза можно запускать только после полной сборки устройства. Эксплуатация кустореза допускается только после установки всех необходимых принадлежностей!
- Перед включением устройства убедитесь, чтобы нож не касался каких-либо предметов (веток, камней и т.д.).
- В случае возникновения любых проблем с двигателем его следует немедленно выключить.
- Во время работы плотно охватывайте пальцами переднюю и заднюю рукоятки. Сохраняйте рукоятки в чистоте, предотвращая попадание на них влаги, смолы, масла или смазки.

Обязательно проверяйте надежность опоры под ногами.

- Предназначено для использования только вне помещения.
- Во время работы обращайте внимание на окружающую обстановку, учитывайте возможные опасности, которые вы можете не услышать из-за шума инструмента.
- Эксплуатируйте кусторез так, чтобы не допустить вдыхания отработавших газов. Запрещается включать двигатель в закрытых помещениях (риск удушья и отравления газами). Окись углерода - это газ без запаха. Обязательно убедитесь в наличии хорошей вентиляции.
- Во время перерыва в работе, или если кусторез остается без присмотра, обязательно выключайте его. Поместите инструмент в безопасное место, чтобы предотвратить травмирование окружающих, возгорание горючих материалов или повреждение кустореза.
- Никогда не кладите горячий кусторез на сухую траву или на горючие материалы.
- Для снижения опасности возгорания на двигателе и глушителе не должно быть мусора, листьев и чрезмерного количества смазки.
- Запрещается эксплуатировать двигатель с неисправным глушителем.
- Выключайте двигатель на время транспортировки (7).
- Выключайте двигатель перед выполнением следующих действий:
 - Устранение засора;
 - Проверка, обслуживание или эксплуатация инструмента.
- При транспортировке на автотранспорте расположите кусторез так, чтобы не допустить утечки топлива.
- При перевозке бензобака кустореза должен быть пустым во избежание утечки топлива.
- На время транспортировки или хранения обязательно надевайте чехол на режущий блок.

Заправка топливом

- Перед заправкой топлива выключайте двигатель (7), держите инструмент вдали от открытого огня (8) и не курите.
- Запрещается заправка горячего или работающего двигателя.
- Избегайте контакта кожи с нефтепродуктами. Не вдыхайте пары топлива. Во время заправки обязательно надевайте защитные перчатки. Регулярно меняйте и чистите защитную одежду.
- Не допускайте разлива топлива или масла, чтобы предотвратить загрязнение почвы (защита окружающей среды). В случае разлива топлива немедленно протрите кусторез насухо. Перед утилизацией используемой при удалении топлива ткани высушите ее в хорошо проветриваемом месте. Несоблюдение этого требования может стать причиной самовозгорания.
- Не допускайте попадания топлива на одежду. В случае попадания топлива на одежду (опасность) немедленно смените одежду.
- Регулярно осматривайте крышку топливного бака, чтобы убедиться в надежности ее установки.
- Плотно затягивайте крышку топливного бака. Перед запуском двигателя отойдите в сторону (как минимум на 3 метра от места заправки) (9).
- Запрещается заправлять топливо в закрытых помещениях. Пары топлива скапливаются у земли (опасность взрыва).
- Перевозите и храните топливо только в сертифицированных канистрах. Обеспечьте недоступность хранящегося топлива для детей.
- При смешивании бензина и масла для двухтактного двигателя необходимо использовать только бензин, не содержащий этанола или метанола (типы спирта).
Это поможет предотвратить повреждение топливных магистралей и других элементов двигателя.



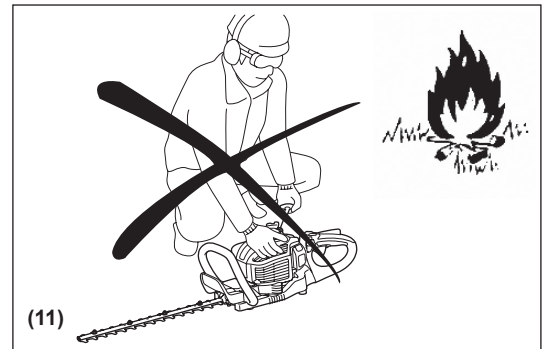
Способ эксплуатации

- Во время эксплуатации держитесь за рукоятки обеими руками.
- Используйте кусторез только при хорошем освещении и достаточной видимости. В холодное время помните о скользких или мокрых поверхностях, наличии льда и снега (опасность поскользнуться). Обязательно проверяйте надежность опоры под ногами.
- Запрещается работать на неустойчивых поверхностях и на пересеченной местности.
- Не используйте кусторез, стоя на лестнице.
- Не взбирайтесь на деревья для выполнения обрезки с помощью кустореза.
- Для снижения риска падения и потери контроля над инструментом во время работы запрещается двигаться назад.
- Перед чисткой, выполнением обслуживания блока или заменой деталей обязательно выключайте двигатель инструмента.
- Запрещается эксплуатация инструмента при повреждении или чрезмерном износе режущего блока.



Инструкции по уходу

- Берегите природу! Эксплуатируйте кусторез с минимально возможным уровнем шума и загрязнений. В частности, проверяйте правильность настройки карбюратора.
- Регулярно очищайте кусторез и проверяйте надежность затяжки всех винтов и гаек.
- Запрещается выполнять обслуживание или хранить кусторез вблизи открытого огня, искр и т.д. (11).
- Перед хранением кустореза слейте топливо из топливного бака.
- Во избежание пожара запрещается хранение кустореза вблизи источников открытого огня.
- Кусторез должен храниться в хорошо проветриваемом высоком или запертом месте, недоступном для детей.
- При отсутствии необходимой квалификации не пытайтесь выполнить ремонт инструмента.



Соблюдайте все соответствующие инструкции по технике безопасности, выпущенные отраслевыми объединениями по безопасности и страховыми компаниями.

Не производите каких-либо модификаций кустореза, это опасно.

Обслуживание и ремонт силами пользователя ограничиваются действиями, описанными в данном руководстве. Все прочие работы должны выполняться в официальной сервисной службе.

Используйте только оригинальные запасные части и аксессуары, поставляемые авторизованными сервисными центрами компании MAKITA или на заводе-изготовителем.

Использование несертифицированных аксессуаров и инструментов увеличивает риск несчастного случая и травм. MAKITA не несет ответственность за аварии или повреждения, вызванные использованием несертифицированных аксессуаров.

Первая помощь

В случае происшествия убедитесь, что поблизости от места выполнения работ имеется хорошо укомплектованная аптечка первой помощи, соответствующая DIN 13164.

Незамедлительно заменяйте все использованные компоненты аптечки.

Обращаясь за помощью, сообщайте следующую информацию:

- Место происшествия
- Как это случилось
- Число пострадавших
- Характер травм
- Свое имя



Упаковка

Кусторез MAKITA поставляется в картонной коробке, которая обеспечивает сохранность при транспортировке. Картон - одна из разновидностей сырья, поэтому он пригоден для повторного использования и переработки (в качестве макулатуры).



ДЕКЛАРАЦИЯ О СООТВЕТСТВИИ ЕС

Makita Corporation, являясь ответственным производителем, заявляет, что следующие устройства Makita:

Обозначение устройства: Бензиновый Кусторез

№ модели / тип: EH5000W, EH6000W, EH7500W

Технические характеристики: см. "ТЕХНИЧЕСКИЕ ДАННЫЕ"

являются серийными изделиями и

Соответствует следующим директивам ЕС:

2000/14/ЕС, 2006/42/ЕС

И изготовлены в соответствии со следующими стандартами или нормативными документами:

EN ISO 10517

Техническая документация хранится у официального представителя в Европе:

Makita International Europe Ltd.

Michigan Drive, Tongwell, Milton Keynes, Bucks MK15 8JD, England

Процедура оценки соответствия согласно директиве 2000/14/ЕС была проведена в соответствии с приложением V.

Измеренный уровень звуковой мощности: EH5000W 104,0 дБ (А), EH6000W 104,2 дБ (А), EH7500W 104,8 дБ (А)

Гарантированный уровень звуковой мощности: все модели 106 дБ (А)

1. 12. 2010



Tomoyasu Kato (Томояшу Като)

Директор

Makita Corporation

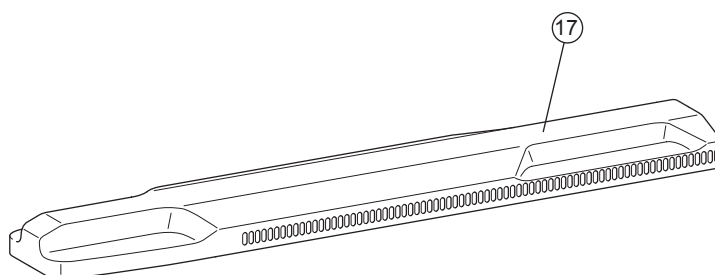
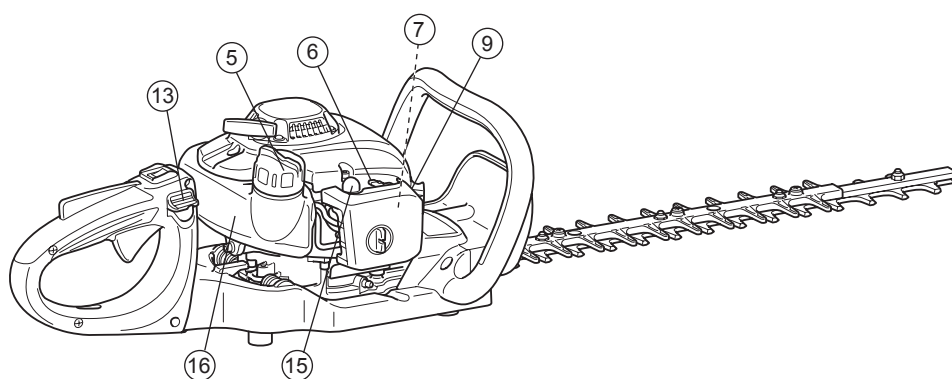
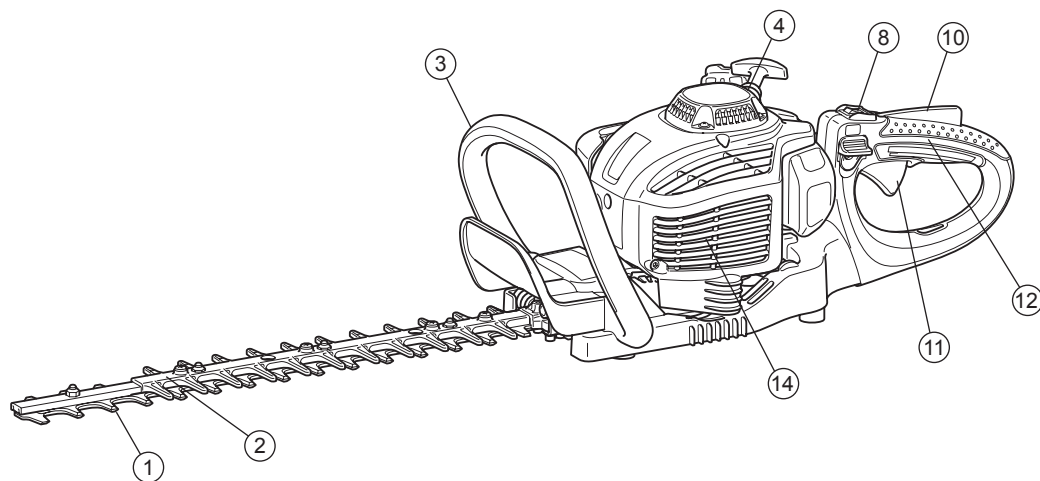
3-11-8, Sumiyoshi-cho,

Anjo, Aichi, 446-8502, JAPAN

ТЕХНИЧЕСКИЕ ДАННЫЕ

Модель		EH5000W	EH6000W	EH7500W	
Размеры (Д x Ш x В)	мм	1014 x 262 x 216	1119 x 262 x 216	1259 x 262 x 216	
Масса (без крышки диска)	кг	4,8	5,0	5,2	
Объем (топливный бак)	л	0,4			
Рабочий объем двигателя	см. ³	22,2			
Длина распилы	мм	483	588	728	
Максимальная мощность двигателя	кВт	0,68			
Число ударов в минуту	мин ⁻¹	4270			
Холостые обороты	мин ⁻¹	3000			
Скорость включения муфты	мин ⁻¹	4000			
Тип карбюратора	тип	WALBRO WYL			
Система зажигания	тип	Транзисторное зажигание			
Свеча зажигания	тип	NGK CMR6A			
Зазор электродов	мм	0,7 - 0,8			
Вибрация по EN ISO 10517	Правая рукоятка	$a_{HV eq}$ м/с ²	2,5	2,7	2,3
		Погрешность (К)	1,3	1,1	1,6
	Левая рукоятка	$a_{HV eq}$ м/с ²	2,5	2,8	2,3
		Погрешность (К)	1,3	1,1	1,2
Шум EN ISO 10517	Уровень звукового давления	дБ (А)	93,0	92,8	93,9
		Погрешность (К) дБ (А)	1,4	2,2	1,2
	Уровень звуковой мощности	дБ (А)	103,0	103,2	103,8
		Погрешность (К) дБ (А)	2,1	1,5	1,3
Соотношение компонентов (топливо: моторное масло)	Оригинальное масло для двухтактных двигателей MAKITA	50 : 1			
	Масло для двухтактных двигателей других производителей	25 : 1			
Передаточное число		9 : 43			

КОМПОНЕНТЫ ИЗДЕЛИЯ



	КОМПОНЕНТЫ ИЗДЕЛИЯ		КОМПОНЕНТЫ ИЗДЕЛИЯ		КОМПОНЕНТЫ ИЗДЕЛИЯ
1	Полотно	7	Карбюратор (не показан)	13	Рычаг быстрого отпущания
2	Тупоконечный удлинитель	8	Выключатель I-O (включение/выключение)	14	Глушитель
3	Передняя ручка	9	Свеча зажигания	15	Насос подкачки
4	Ручной стартер	10	Блокирующий рычаг	16	Топливный бак
5	Крышка топливного бака	11	Рычаг дроссельной заслонки	17	Крышка диска
6	Рычаг дросселирования	12	Задняя ручка		

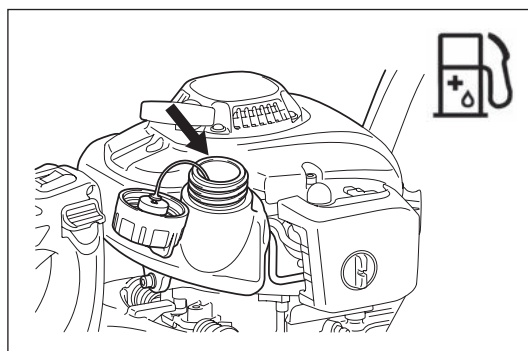
Смесь топлива и масла

- Двигатель кустореза представляет собой высокоэффективный двухтактный двигатель.
Он работает на смеси топлива и масла для двухтактного двигателя.
Двигатель рассчитан на неэтилированный бензин обычного качества с минимальным октановым числом 91.
Если данный вид топлива недоступен, можно использовать бензин с более высоким октановым числом. Это не повредит двигатель, но может привести к ухудшению качества работы.
К аналогичным последствиям приведет использование этилированного бензина.
Для оптимальной производительности и защиты здоровья и природы необходимо использовать только неэтилированный бензин!
- Для смазки двигателя используйте масло для двухтактных двигателей (уровень качества: TSC-3), которое смешивается с топливом.
Двигатель был предназначен для использования с маслом для двухтактных двигателей MAKITA с соотношением компонентов 50:1 только в целях защиты природы. К тому же при вышеуказанных условиях гарантируется длительный и надежный срок службы с минимальным выбросом отработавших газов. Чрезвычайно важно соблюдать соотношение 50:1 (масло для двухтактных двигателей MAKITA). В противном случае надежная работа кустореза не гарантируется.
- Правильное соотношение компонентов:
Бензин: указанное масло для двухтактных двигателей = 50 : 1 или
Бензин: масло для двухтактных двигателей других производителей = 25 : 1
рекомендуемый

ПРИМЕЧАНИЕ: Для изготовления смеси топлива и масла сначала смешайте все масло с половиной необходимого топлива в канистре, соответствующей или превышающей стандарты местных норм и правил. Затем добавьте оставшееся топливо.
Тщательно встряхните смесь перед тем как заливать ее в бак кустореза.
Для обеспечения безопасности работы запрещается добавление масла в большем количестве, чем указано.
Это приведет к увеличению количества остаточных продуктов сгорания, загрязняющих природу и засоряющих вытяжной канал в цилиндре и глушитель. К тому же, это приведет к увеличению расхода топлива и ухудшению производительности.

Обращение с нефтепродуктами

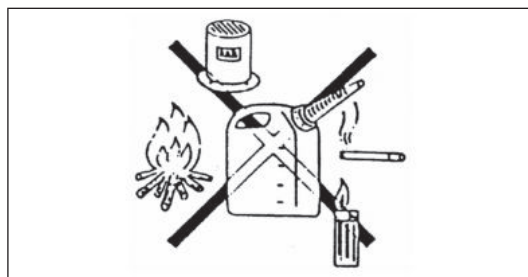
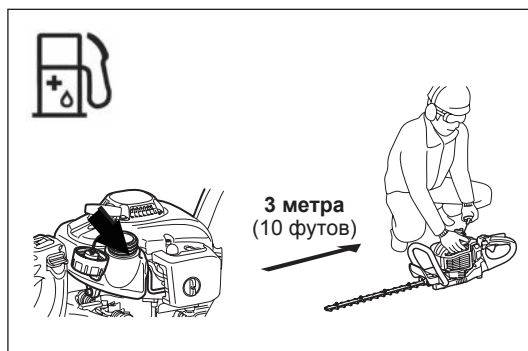
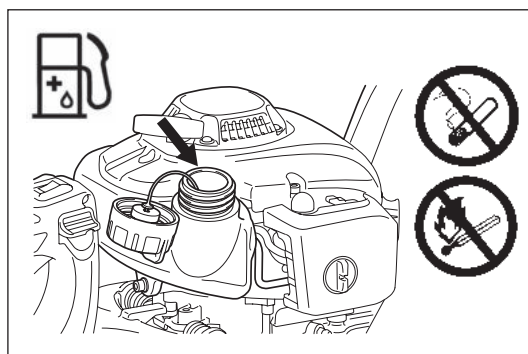
При обращении с топливом необходимо соблюдать максимальную осторожность. В топливе могут быть вещества, сходные с растворителями. Заправка должна осуществляться в хорошо проветриваемом помещении или на открытом воздухе. Не вдыхайте топливные пары, избегайте контакта кожи с топливом или маслом.
Если на кожу постоянно попадают такие вещества, она постепенно обезвоживается.
В результате могут возникнуть различные кожные заболевания. Кроме того, могут возникнуть аллергические реакции.
В случае попадания масла, топлива и т.д. в глаза может возникнуть раздражение.
В этом случае немедленно промойте их чистой водой.
Если раздражение не проходит, немедленно обратитесь к врачу!



Бензин	+	Масло
	50:1	
		25:1
1000 см ³ (1 литр)		20 см ³ 40 см ³
5000 см ³ (5 литров)		100 см ³ 200 см ³
10000 см ³ (10 литров)		200 см ³ 400 см ³

Заправка топливом

- Двигатель должен быть выключен.
- На время заправки выключайте двигатель, берегите его от огня и не курите.
- Для предотвращения загрязнения почвы не допускайте разлива топлива или масла.
В случае разлива топлива немедленно очистите кусторез.
- Не проливайте топливо на двигатель. Протрите насухо разлитое топливо.
- Не допускайте попадания топлива на одежду. При попадании топлива на одежду немедленно переоденьтесь для предотвращения возгорания одежды.
- Регулярно осматривайте крышку топливного бака, чтобы убедиться в надежности ее установки и отсутствия течи топлива.
- Плотно затягивайте крышку топливного бака. Перед запуском двигателя отойдите в сторону (как минимум на 3 метра от места заправки).
- \Запрещается заправлять топливо в закрытых помещениях. Пары топлива скапливаются у земли. (Опасность взрыва).
- Перевозите и храните топливо только в сертифицированных канистрах. Обеспечьте недосягаемость хранящегося топлива для детей.
- Тщательно очищайте область вокруг крышки топливного бака во избежание попадания в бак грязи.
- Отвинтите крышку бака и залейте в бак топливо. Для очистки топлива используйте воронку с сетчатым фильтром.
- Плотно заверните крышку бака рукой.
- После заправки очистите область вокруг крышки и бака.
- Во избежание пожара обязательно вытирайте пролитое топливо.

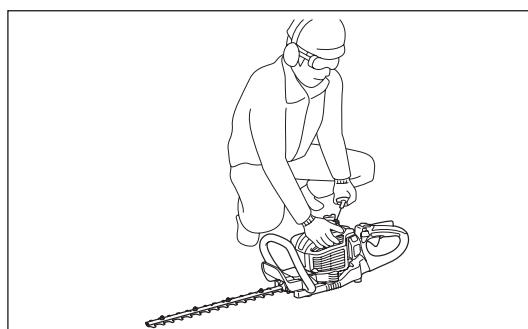
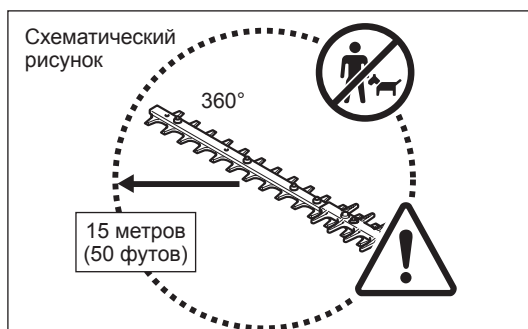


Хранение топлива

- Срок хранения топлива ограничен.
- Приобретайте количество, необходимое для работы в течение 4 недель.
- Для хранения топлива используйте только сертифицированные канистры.

ПРАВИЛА ПО ТЕХНИКЕ БЕЗОПАСНОСТИ ПЕРЕД НАЧАЛОМ ЭКСПЛУАТАЦИИ

- Убедитесь, что в рабочей зоне (в радиусе 15 метров) нет детей или других лиц. Также обращайте внимание на животных, находящихся поблизости.
- Перед началом работы обязательно проверяйте безопасность кустореза для эксплуатации. Убедитесь, что режущий блок не поврежден, рычаг управления перемещается свободно, а выключатель I-O функционирует исправно.
Убедитесь, что на холостых оборотах режущие лезвия не движутся. Если у вас возникают какие-либо сомнения, обратитесь к дилеру для настройки.
Убедитесь, что рукоятки чистые и сухие, и проверьте функционирование выключателя I-O.
- Пуск кустореза следует выполнять согласно инструкциям. Не используйте другие методы запуска двигателя. (См. Включение)
- Двигатель можно запускать только после полной сборки устройства. Эксплуатация двигателя допускается только после установки всех необходимых принадлежностей. В противном случае возможен риск получения травмы.
- Перед включением устройства убедитесь, чтобы режущие лезвия не касались каких-либо предметов (веток, камней и т.д.).
- Перед обрезкой проверьте область на наличие проводов, шнуров, стекла или других посторонних предметов, которых может коснуться лезвие.
- Поражение электрическим током. Обращайте внимание на все электропровода и электрические ограждения. Перед обрезкой проверьте всю область на наличие электропроводов.



ВКЛЮЧЕНИЕ ИНСТРУМЕНТА

Отойдите не менее чем на 3 метра от места заправки топливом. Установите кусторез на чистый участок поверхности. Убедитесь, что режущие лезвия не касаются земли или других предметов.

Холодный запуск: (Если двигатель холодный, если он был выключен более чем на 5 минут или после заправки топливом.)

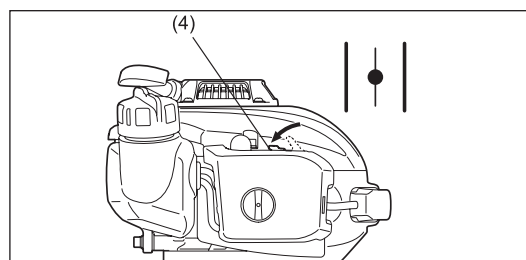
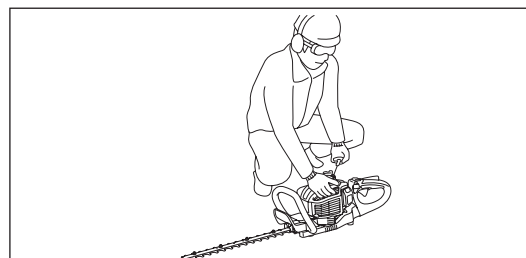
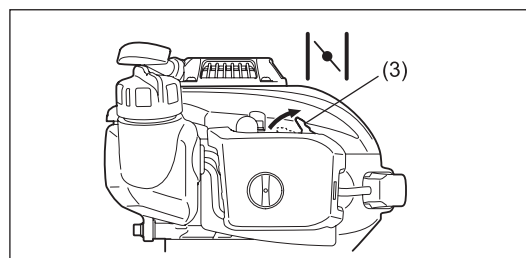
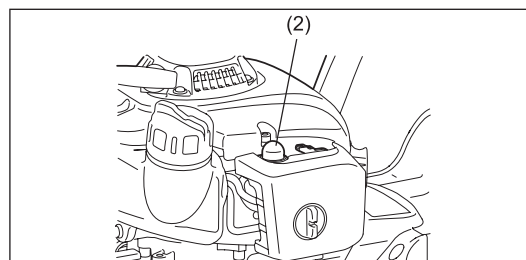
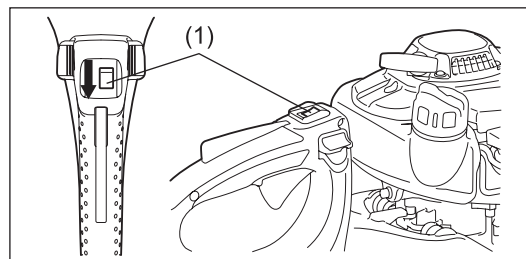
1. Переведите выключатель I-O (1) в положение "I" (включения).
2. Нажимайте на насос подкачки (2) (7 – 10 раз) до тех пор, пока он не наполнится топливом.
3. Установите рычаг воздушной заслонки (3) в положение "I".
4. Во время проворачивания двигателя удерживайте кусторез во избежание потери контроля. Несоблюдение данного требования может привести к серьезным травмам и/повреждению имущества из-за того, что инструмент упал или режущее лезвие коснулось постороннего предмета.
5. Медленно потяните рукоятку стартера на 10 – 15 см, пока не почувствуете сопротивление.
6. Потяните рукоятку стартера сильнее и заведите двигатель.
7. Когда двигатель заработает, либо включится и сразу заглохнет, верните рычаг воздушной заслонки (4) в положение "II".
8. Перед ускорением до полного открытия дроссельной заслонки дайте поработать двигателю на средней скорости в течение приблизительно одной минуты.

Примечание:

- Если тянуть рукоятку стартера несколько раз подряд, когда рычаг воздушной заслонки находится в положении "I", запуск двигателя будет затруднен из-за перелива топлива.
- В случае перелива топлива выверните свечу зажигания и медленно потяните рукоятку стартера, чтобы удалить излишки топлива. Кроме того, протрите электроды свечи зажигания.

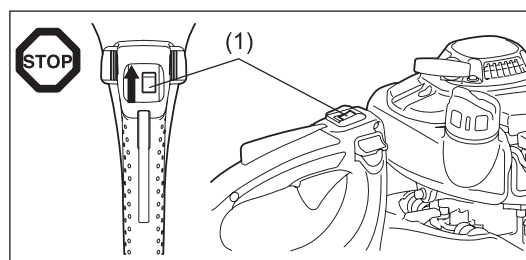
Горячий запуск: (Повторное включение сразу после выключения) При повторном включении горячего двигателя сначала выполните процедуру, описанную выше: 1, 2, 4, 5, 6 с рычагом воздушной заслонки (4) в положении "II". Если двигатель не заводится, повторите описанные выше пункты 1 – 8.

Примечание: Не вытягивайте трос стартера полностью. Рукоятка стартера не должна возвращаться назад без контроля. Убедитесь, что она возвращается назад медленно.



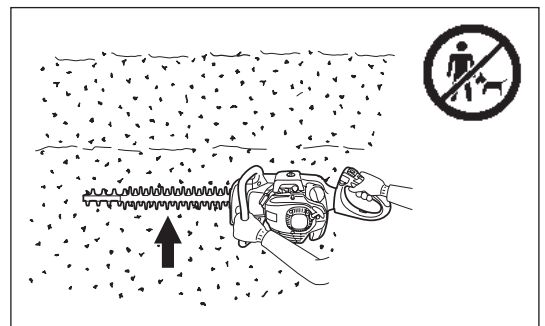
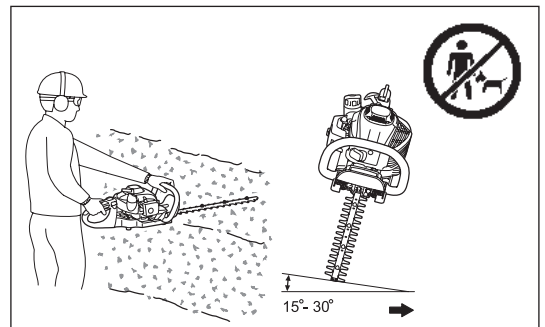
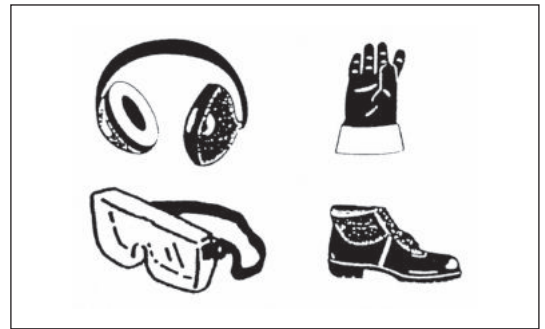
ВЫКЛЮЧЕНИЕ ИНСТРУМЕНТА

1. Полностью опустите рычаг дроссельной заслонки.
2. Переведите выключатель I-O (1) в положение "O". Скорость оборотов двигателя упадет и двигатель выключится.



ЭКСПЛУАТАЦИЯ ИНСТРУМЕНТА

- Рукоятка кустореза должна всегда быть надежно зафиксирована.
- Не касайтесь режущих лезвий во время запуска двигателя и во время работы.
- Эксплуатируйте кусторез так, чтобы не допустить вдыхания отработавших газов. Запрещается включать двигатель в закрытых помещениях (риск отравления газами). Окись углерода - это газ без запаха.
- Все защитные приспособления (например, ограждения), входящие в комплект поставки устройства, должны использоваться при эксплуатации.
- Запрещается эксплуатация двигателя, если глушитель неисправен или отсутствует.
- Используйте кусторез только при хорошем освещении и достаточной видимости.
- В зимнее время помните о скользких или мокрых поверхностях, наличии льда и снега. (Опасность поскользнуться.) Обязательно проверяйте надежность опоры под ногами.
- Запрещается работать кусторезом, стоя на лестнице. Стойте на земле обеими ногами.
- Запрещается влезать на деревья для выполнения обрезки.
- Запрещается работать на неустойчивых поверхностях.
- Удаляйте из рабочей зоны песок, камни, гвозди, провода и пр. Посторонние предметы могут повредить режущие лезвия.
- Перед началом обрезки при помощи секатора удалите ветви толщиной 8 мм и более.
- Перед тем как приступить к обрезке, необходимо дождаться, пока лезвия наберут полную скорость.
- Держите инструмент обеими руками (руки должны быть на рукоятках).
- Надежно удерживайте инструмент двумя руками, пальцами охватывая рукоятки.
- Отпустите рычаг дроссельной заслонки, и через несколько секунд режущие лезвия остановятся.
- Запрещается эксплуатация кустореза на высоких холостых оборотах. Если холостые обороты слишком высокие, вы не сможете отрегулировать скорость распила с помощью управления дроссельной заслонкой.
- Во время резания держите кусторез таким образом, чтобы лезвия находились под углом 15 – 30° к линии распиливания.
- Во время резки будьте особенно осторожны, если живая изгородь находится близко к проволоочной изгороди.
- Не касайтесь режущими лезвиями твердых предметов (проволоочной изгороди, камней или земли). Это может привести к растрескиванию, отколу или разрушению лезвий.
- В случае удара режущих лезвий о камень или другой твердый предмет немедленно выключите двигатель и осмотрите лезвия на наличие повреждений. Перед возобновлением работ замените поврежденные лезвия.
- Периодически делайте перерыв в работе. Компания Makita рекомендует делать перерывы длительностью 10 – 20 минут после каждых 50 минут использования инструмента.
- При возникновении каких-либо проблем с двигателем немедленно выключите его.
- Эксплуатируйте кусторез с минимально возможным уровнем шума и загрязнений. В частности, проверяйте правильность настройки карбюратора и соотношение топлива и масла.
- Не пытайтесь убирать застрявшие срезанные ветки, если лезвия движутся. Положите инструмент, выключите его и удалите обрезки.



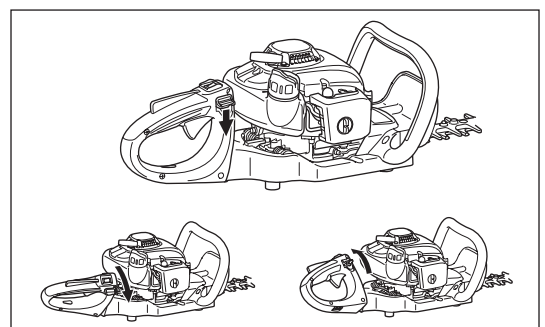
РЕГУЛИРОВКА УГЛА ЗАДНЕЙ РУЧКИ

Задняя рукоятка может поворачиваться влево и вправо на 90° и фиксироваться под углом 45° с каждой стороны.

Чтобы изменить угол:

1. Нажмите рычаг отпущения, чтобы выключить блокировку.
2. Поверните рукоятку на 0°, 45° или 90°.
3. Убедитесь, что рычаг отпущения вернулся в исходное положение, активировав блокировку.

Не тяните рычаг дроссельной заслонки, если блокировка выключена. Не выключайте блокировку во время эксплуатации.



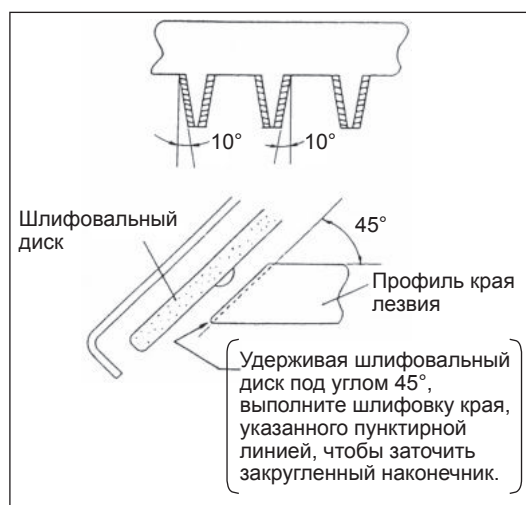
ИНСТРУКЦИИ ПО УХОДУ

- Перед выполнением чистки, замены, заточки режущих лезвий или обслуживанием инструмента обязательно выключите двигатель и отсоедините провод от свечи зажигания.
- Запрещается выпрямлять или сваривать поврежденные режущие лезвия.
- Регулярно осматривайте режущие лезвия на наличие повреждения (двигатель должен быть выключен).
- Режущие лезвия всегда должны быть острыми.
- Регулярно выполняйте чистку кустореза и проверяйте, чтобы все винты и гайки были крепко затянуты.
- Во избежание пожара запрещается обслуживание кустореза вблизи источников открытого огня.
- При обращении с лезвиями или их заточке обязательно надевайте кожаные перчатки - лезвия острые.

Заточка лезвия

Если края лезвий закруглены и качество резки ухудшилось, выполните шлифовку только затемненных на рисунке участков. Запрещается шлифовка контактирующих поверхностей (поверхностей скольжения) с верхнего и нижнего края.

- Перед шлифовкой убедитесь, что лезвие надежно закреплено, двигатель выключен и от свечи зажигания отсоединен провод.
- Надевайте перчатки, защитные очки и т.д.
- Не снимайте слишком много материала. Это приведет к потере закаленного слоя и быстрому затуплению лезвий.



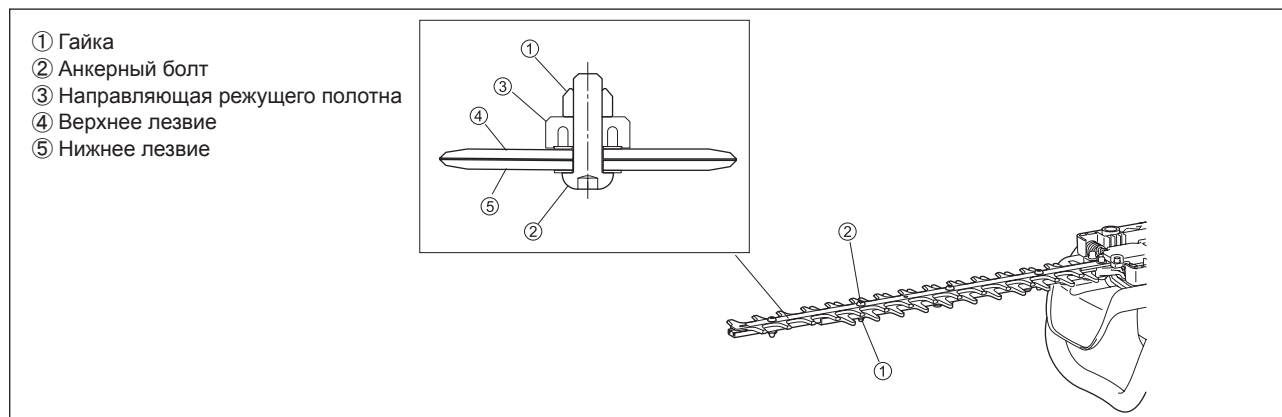
Регулировка зазора между лезвиями

Верхнее и нижнее лезвия изнашиваются. Если не удастся получить чистый разрез (хотя лезвия еще достаточно острые), отрегулируйте зазор между лезвиями следующим образом.

1. Снимите тупоконечный удлинитель, ослабив винты.
2. Ослабьте гайку (1) накидным или рожковым гаечным ключом.
3. Слегка затяните анкерный болт (2) шестигранным ключом и закрутите его обратно на четверть оборота.
4. Затяните гайку (1), удерживая анкерный болт (2).
5. Нанесите немного масла на фрикционную поверхность лезвий.
6. Включите двигатель и поработайте дроссельной заслонкой (открывая и закрывая ее) в течение минуты.
7. Засеките время, необходимое для остановки лезвий после закрытия дроссельной заслонки. Если это две секунды или более, остановите двигатель и повторите пункты 2 – 7.
8. Выключите двигатель и коснитесь поверхности лезвия. Если они не слишком горячие на ощупь, регулировка выполнена правильно. Если лезвия очень горячие, поверните немного назад анкерный болт (2) и повторите пункты 6 – 8.
9. Прикрепите тупоконечный удлинитель, затянув винты.

ПРИМЕЧАНИЕ: Перед выполнением регулировки остановите двигатель и дождитесь полной остановки лезвий.

На лезвиях вокруг винта (2) имеется отверстие. При появлении пыли в одном из отверстий, удалите ее.



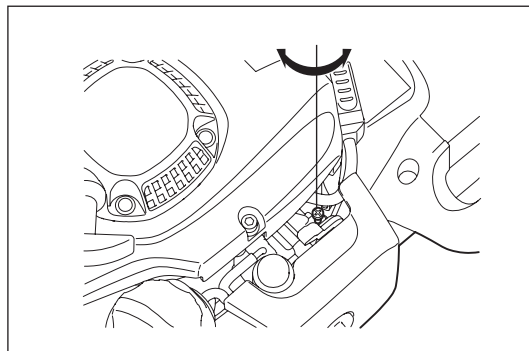
Проверка и регулировка оборотов холостого хода

На холостых оборотах двигателя лезвия не должны вращаться.

- Обороты холостого хода должны быть установлены на 3000 мин⁻¹ (об/мин).
- При необходимости отрегулируйте винт холостого хода (режущие лезвия не должны вращаться, когда двигатель работает на холостых оборотах).
 - Режущие лезвия вращаются при работе двигателя на холостых оборотах – поверните винт холостого хода против часовой стрелки для снижения оборотов на холостом ходу.
 - Двигатель останавливается на холостом ходу – поверните винт холостого хода по часовой стрелке для увеличения оборотов на холостом ходу.

Если после регулировки режущие лезвия по-прежнему вращаются на холостых оборотах, обратитесь в ближайшую официальную сервисную службу.

- Муфта должна включаться при 3750 мин⁻¹ (об/мин) или выше.
- Проверьте работу выключателя I-O, рычага разблокировки и рычага дроссельной заслонки.



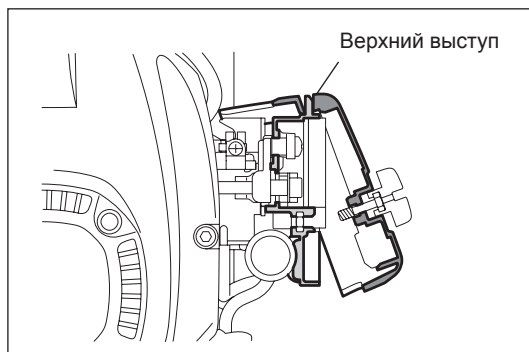
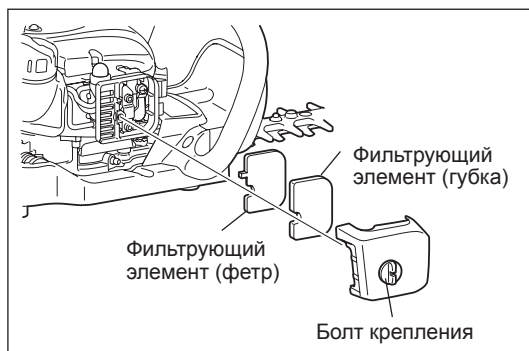
Чистка воздушного фильтра



ОПАСНОСТЬ: Строго запрещается использование огнеопасных материалов

Ежедневно (или после 10 часов работы) проверяйте воздушный фильтр и выполняйте его чистку.

- Поверните рычаг воздушной заслонки в полностью закрытое положение и закройте карбюратор от пыли и грязи.
- Ослабьте болт крепления.
- Потяните заднюю часть крышки воздушного фильтра вперед, чтобы отсоединить ее.
- Если на фильтрующем элементе имеются осадки масла, выжмите его.
- В случае сильного загрязнения:
 - 1) Извлеките фильтрующий элемент (губку), опустите в теплую воду или в водный раствор нейтрального моющего средства, затем просушите.
 - 2) Очистите фильтрующий элемент (фетр) бензином, затем просушите.
- Прежде чем устанавливать фильтрующий элемент, обязательно просушите его. Недостаточная просушка элемента может привести к затрудненному пуску двигателя.
- Протрите ветошью масло и его остатки вокруг воздушного фильтра.
- Сразу после окончания очистки установите крышку фильтра и закрепите болтами. (При установке сначала фиксируйте верхний выступ.)



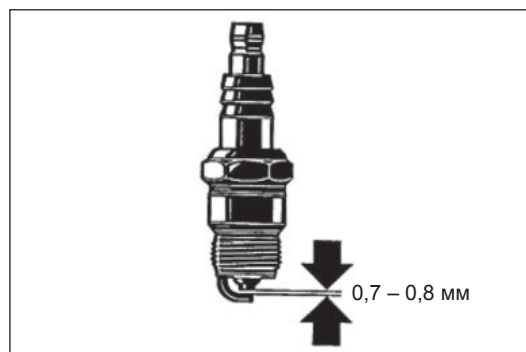
Примечания по обращению с фильтрующим элементом воздушного фильтра

- Если фильтрующий элемент сильно запылен, очищайте его несколько раз в день.
- Если продолжать работу с грязным фильтром, масло из воздушного фильтра может вытечь наружу и загрязнить масло.

Проверка свечи зажигания

Ежедневно (или после 8 часов работы) проверяйте свечу зажигания и выполняйте ее чистку.

- Для извлечения и установки свечей зажигания используйте только ключ, входящий в комплект поставки.
- Зазор между электродами свечи зажигания должен составлять 0,7 – 0,8 мм. Если зазор слишком маленький или слишком большой, отрегулируйте его. Если свеча зажигания засорена продуктами сгорания или загрязнена, тщательно очистите ее или замените. Заменяйте свечу на такую же.



Закладка смазки

- Закладку смазки с помощью масленки необходимо производить после каждых 50 часов работы. (Shell Alvania No. 3 или аналогичная)

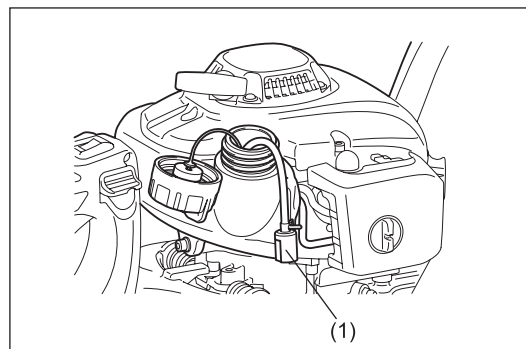
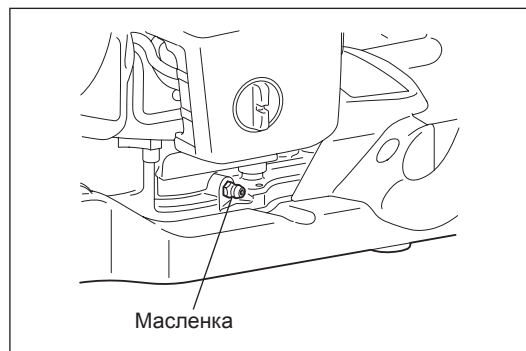
ПРИМЕЧАНИЕ: Соблюдайте указанный период и количество закладываемой смазки. Иначе недостаточное количество смазки может привести к неисправности инструмента.

Чистка топливного фильтра (всасывающей головки в топливном баке)

ПРЕДОСТЕРЕЖЕНИЕ: Строго запрещается использование огнеопасных материалов

Проверяйте и выполняйте чистку топливного фильтра каждый месяц или после каждых 50 часов работы.

- Войлочный фильтр (1) всасывающей головки используется для фильтрации топлива, поступающего в карбюратор.
- Регулярно осматривайте войлочный фильтр.
- Для этой цели откройте крышку бака и с помощью проволочного крюка извлеките всасывающую головку через горловину бака. Если войлочный фильтр затвердел, загрязнен или засорен, его необходимо заменить.
- Заменяйте фильтр как минимум один раз в квартал, чтобы обеспечить надлежащую подачу топлива в карбюратор. Недостаточная подача топлива может привести к затрудненному запуску двигателя и ограничению максимальной скорости.



Замена топливного патрубка

ПРЕДУПРЕЖДЕНИЕ: Строго запрещается использование огнеопасных материалов

Проверяйте и выполняйте чистку топливного патрубка каждый день или после каждых 10 часов работы.

Заменяйте топливный патрубок после каждых 200 часов работы или каждый год, независимо от частоты использования устройства. Иначе утечка топлива может привести к возгоранию.

Если во время осмотра обнаружена утечка, немедленно замените маслопровод.

Замена крышки топливного бака

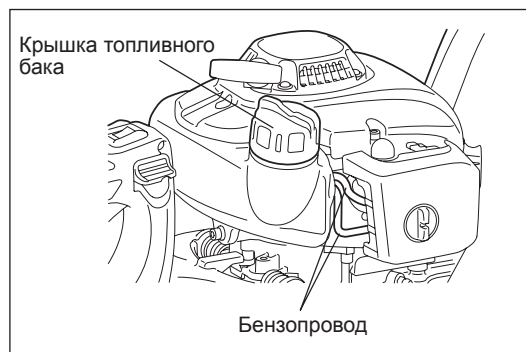
- Если крышка топливного бака повреждена, ее необходимо заменить.
- С течением времени крышка топливного бака изнашивается. Заменяйте ее каждые два или три года.

Для выполнения любых операций обслуживания или регулировки, не указанных в данном руководстве, обратитесь в местный официальный сервисный центр Makita.

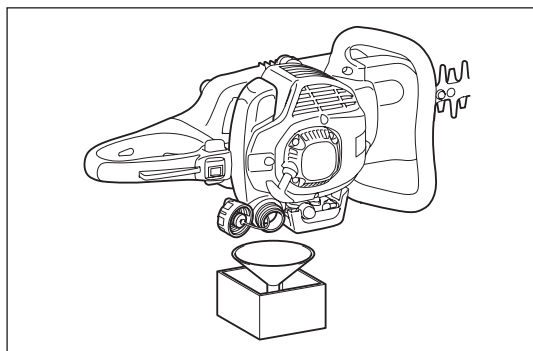
Ежедневные проверки и обслуживание

Чтобы обеспечить длительный срок службы и предотвратить повреждение оборудования, необходимо регулярно выполнять следующие операции по уходу и обслуживанию.

- Перед началом работы:
 - Проверьте надежность затяжки всех винтов и наличие всех деталей. Обращайте особое внимание на надежность затяжки винтов режущего лезвия.
 - Проверьте чистоту воздушных патрубков и ребер охлаждения цилиндра. При необходимости очистите.
 - Очистите топливный бак, проверьте его герметичность и убедитесь в отсутствии в нем посторонних предметов.
- После окончания работы:
 - Очищайте кусторез снаружи и осматривайте на предмет повреждений.
 - Очищайте воздушный фильтр. В случае работы в условиях повышенной запыленности очищайте фильтр несколько раз в день.
 - Проверяйте лезвия на наличие повреждения и надежность крепления.



ХРАНЕНИЕ



- При длительном хранении инструмента слейте топливо из топливного бака и карбюратора следующим образом: Слейте все топливо из топливного бака.
- Извлеките свечу зажигания и капните несколько капель масла в отверстие для свечи. Затем медленно потяните рукоятку стартера, чтобы масляная пленка покрыла двигатель изнутри, и затяните свечу зажигания.
- Удалите грязь и пыль с режущего лезвия и снаружи двигателя, протрите их смоченной в масле тканью и поместите инструмент в как можно более сухое место.

ГРАФИК ТЕХНИЧЕСКОГО ОБСЛУЖИВАНИЯ

После каждой заправки	Рычаг дроссельной заслонки Выключатель I-O	Проверьте работу Проверьте работу
Перед началом эксплуатации	Сборка двигателя, винты и гайки Воздушный фильтр Воздушный канал системы охлаждения Режущий узел Холостые обороты Топливный бак	Осмотрите на наличие повреждений и надежность затяжки Проверьте общее состояние и безопасность Очистите Очистите Проверка на предмет повреждений и остроты Осмотр (режущий инструмент не должен вращаться) Проверьте и очистите
После каждых 50 часов	Картер редуктора	Закладка смазки
Еженедельно	Свеча зажигания	Проверьте и при необходимости замените
Ежегодно	Бензопровод	Замените
Два раза в год	Крышка топливного бака	Замените
Перед длительным хранением	Топливный бак Карбюратор Всасывающая головка	Опорожните и очистите Запустите двигатель и дождитесь полной выработки топлива Замените

ПОИСК НЕИСПРАВНОСТЕЙ

Неисправность	Система	Признак	Причина
Двигатель не запускается или запускается с трудом	Система зажигания	Искра зажигания в норме	Неисправность в подаче топлива или в системе компрессии, механический дефект
		Искра отсутствует	Нажат выключатель I-O, неисправность или короткое замыкание проводки, неисправна свеча зажигания или ее разъем, неисправность блока зажигания
	Подача топлива	Топливный бак заполнен	Неправильное положение дросселя, дефект карбюратора, всасывающая головка (фильтр газопровода) загрязнена, погнут или засорен бензопровод
	Компрессия	Внутри двигателя	Дефект прокладки дна цилиндра, повреждены сальники коленвала, дефект цилиндра или поршневых колец
Снаружи двигателя		Негерметичное уплотнение свечи зажигания	
Проблемы с горячим запуском	Механическая неисправность	Стартер не срабатывает	Сломана пружина стартера, повреждены внутренние компоненты двигателя
		Топливный бак заполнен, искра есть	Загрязнен карбюратор - необходимо очистить
Двигатель запускается, но сразу глохнет	Подача топлива	Бак заполнен	Неправильно отрегулированы обороты холостого хода, загрязнена всасывающая головка или карбюратор
			Дефект вентиляции топливного бака, засорение топливной магистрали, неисправность троса или выключателя I-O
Недостаточная мощность	Могут быть повреждены одновременно несколько систем	Работа двигателя на холостых оборотах	Засорен воздушный фильтр, загрязнен карбюратор, засорен глушитель, засорена выпускной канал в цилиндре

Makita Corporation
Anjo, Aichi, Japan

www.makita.com

885103-984

ALA