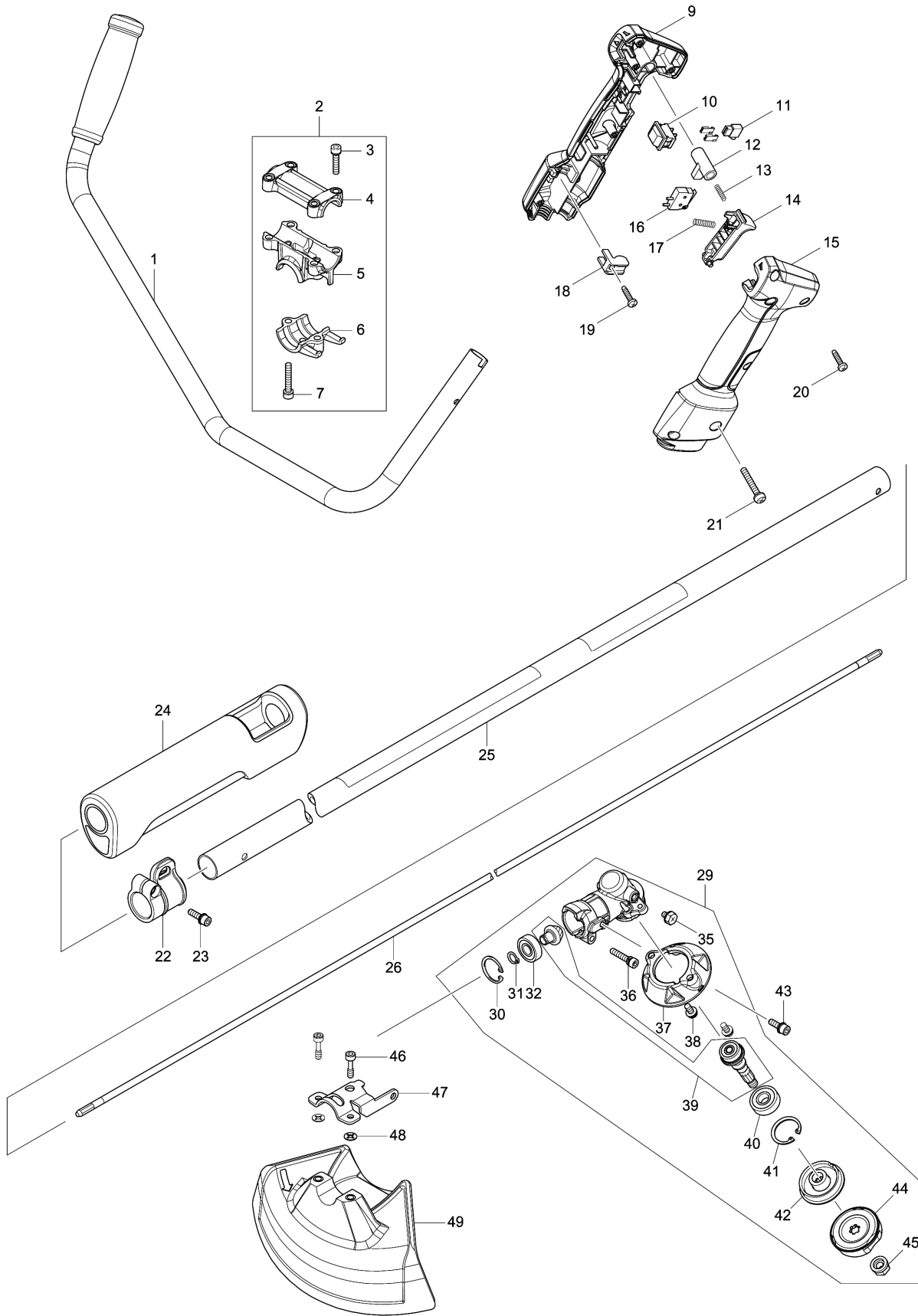
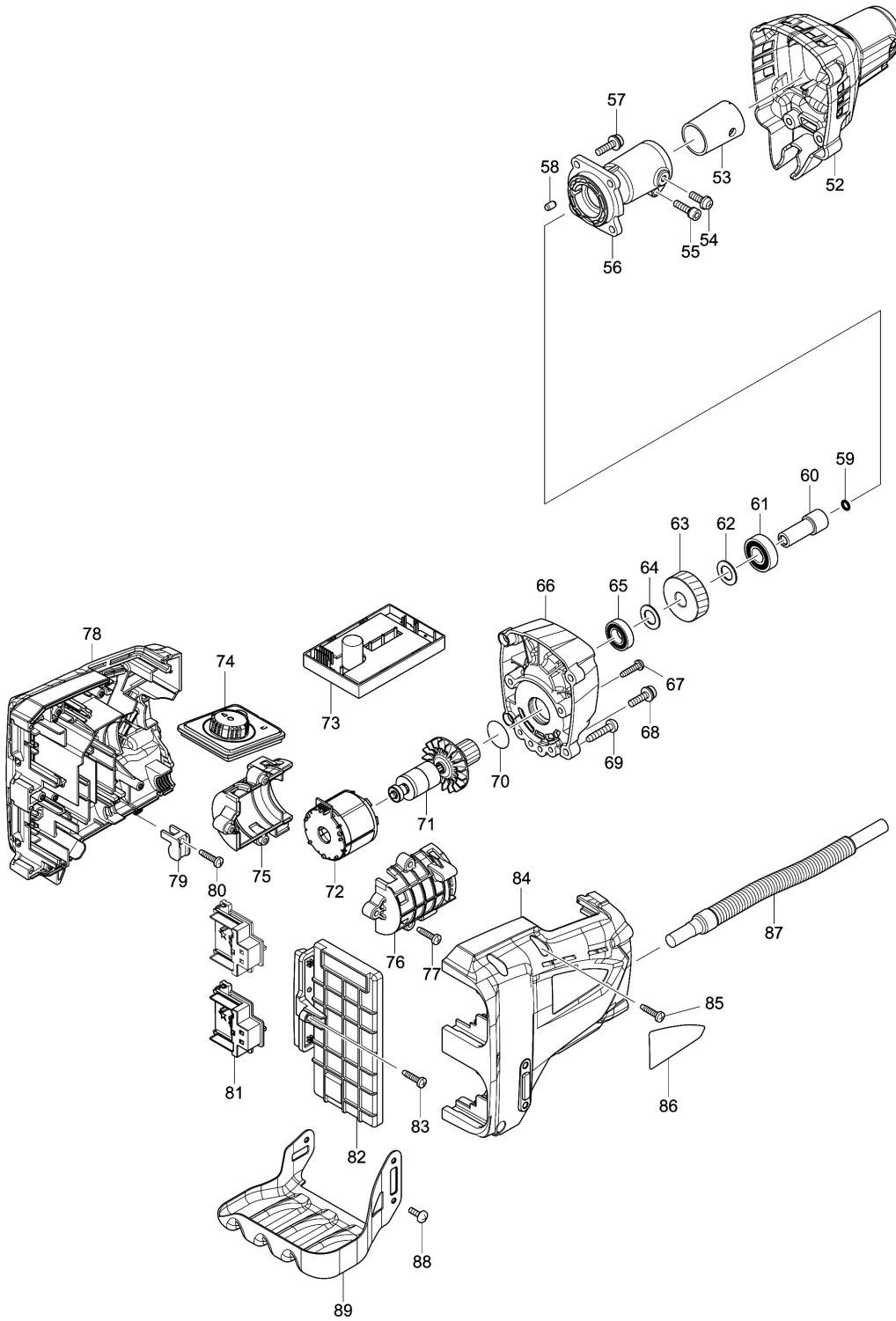


Model No.DUR361U CORDLESS GRASS TRIMMER



Model No.DUR361U CORDLESS GRASS TRIMMER



Model No.DUR361U CORDLESS GRASS TRIMMER

Item	Parts No.	Description	I/C	Qty	New/Old	Opt. 1	Opt. 2	Note
001	142636-0	HANDLE COMPLETE		1				
002	135395-3	HANDLE HOLDER ASS'Y		1				
D10		INC. 3-7						
003	922241-7	HEX. SOCKET HEAD BOLT M5X25		4				
004	318272-6	HANDLE HOLDER 1		1				
005	318273-4	HANDLE HOLDER 2		1				
006	318274-2	HANDLE HOLDER 3		1				
007	922251-4	HEX. SOCKET HEAD BOLT M5X30		2				
009	187587-0	MAIN GRIP SET		1				
D10		INC. 15						
010	651533-4	SWITCH SLE6A2-33		1				
011	686015-7	RECEPTACLE SLEEVE		1				
012	454298-5	LOCK OFF BUTTON		1				
013	233114-2	COMPRESSION SPRING 4		1				
014	454295-1	SWITCH LEVER		1				
015	187587-0	MAIN GRIP SET		1				
D10		INC. 9						
016	650704-0	SWITCH D2SW-P01L1-3M		1				
017	234003-4	COMPRESSION SPRING 5		1				
018	687261-5	STRAIN RELIEF		1				
019	265995-6	TAPPING SCREW 4X18		1				
020	265995-6	TAPPING SCREW 4X18		5				
021	911256-9	PAN HEAD SCREW M5X35		1				
022	168478-4	HANGER		1				
023	922228-9	H.S.H.BOLT M5X18 WITH WR		1				
024	424463-0	CUSHION		1				
025	142648-3	SHAFT PIPE COMPLETE N		1				
C10	801H77-4	CAUTION LABEL		1				
C20	819312-8	MAKITA LOGO LABEL		1				
026	324893-4	SHAFT		1				
029	126438-2	GEAR CASE ASSEMBLY A		1				
D10		INC. 30-32,35-42,44,45						
030	257987-9	RETAINING RING (INT)R-24		1				
031	257986-1	RETAINING RING (EXT) S-9		1				
032	210049-4	BALL BEARING 609ZZ		1				
035	265578-2	+HEX.BOLT M6X8		1				
036	266805-0	H.S.H.BOLT M5X25 WITH W		1				
037	455026-1	GUARD		1				
038	265195-8	+PAN HEAD SCREW M5X12		2				
039	187920-6	CUTTER SHAFT SET		1				
040	210082-6	BALL BEARING 600DDU		1				

Model No.DUR361U CORDLESS GRASS TRIMMER

Item	Parts No.	Description	I/C	Qty	New/Old	Opt. 1	Opt. 2	Note
041	257988-7	RETAINING RING (INT) R-26		1				
042	332042-9	RECEIVE WASHER		1				
043	922223-9	H.S.H.BOLT M5X16 WITH WR		1				
044	168797-8	CLAMP WASHER COMPLETE		1				
045	264018-7	HEX.NUT M8		1				
046	266896-1	HEX. SOCKET HEAD BOLT M5X20		2				
047	346785-7	PROTECTOR CLAMP		1				
048	261156-6	POLYPROPYLENE WASHER 4		2				
049	455172-0	PROTECTOR		1				
052	454995-3	GEAR BOX COVER		1				
053	424307-4	PIPE RUBBER		1				
054	911223-4	PAN HEAD SCREW M5X16		1				
055	922231-0	HEX. SOCKET HEAD BOLT M5X20		1				
056	318560-1	PIPE BRACKET		1				
057	911233-1	PAN HEAD SCREW M5X20		4				
058	263002-9	RUBBER PIN 4		1				
059	213045-1	O-RING 6		1				
060	325811-5	SPINDLE HUB		1				
061	211148-5	BALL BEARING 6001ZZ		1				
062	253744-3	FLAT WASHER 12		1				
063	227720-3	HELICAL GEAR 33		1				
064	253744-3	FLAT WASHER 12		1				
065	211150-8	BALL BEARING 6901ZZ		1				
066	318559-6	GEAR BOX		1				
067	265995-6	TAPPING SCREW 4X18		4				
068	911233-1	PAN HEAD SCREW M5X20		2				
069	266041-8	TAPPING SCREW 5X25		4				
070	213961-7	O RING 22		1				
071	619254-4	ROTOR		1				
072	629123-1	STATOR		1				
073	620285-8	CONTROLLER		1	*			
073-1	620500-0	CONTROLLER	S	1				
074	142639-4	SUB CONTROLLER COMPLETE A		1				
075	188838-4	MOTOR HOUSING SET		1				
D10		INC. 76						
076	188838-4	MOTOR HOUSING SET		1				
D10		INC. 75						
077	265995-6	TAPPING SCREW 4X18		3				
078	187876-3	HOUSING SET		1	*			
D10		INC. 84			*			
078-1	183B91-9	HOUSING SET	S	1				

Please order the parts with part number.

Print Date 27/3/2020

Model No.DUR361U CORDLESS GRASS TRIMMER

Item	Parts No.	Description	I/C	Qty	New/Old	Opt. 1	Opt. 2	Note
D10		INC. 84						
079	687261-5	STRAIN RELIEF		1				
080	265995-6	TAPPING SCREW 4X18		1				
081	644808-8	TERMINAL		2				
082	142642-5	ADAPTER CIRCUIT COMPLETE		1				
083	265995-6	TAPPING SCREW 4X18		3				
084	187876-3	HOUSING SET		1	*			
D10		INC. 78			*			
084-1	183B91-9	HOUSING SET	S	1				
D10		INC. 78						
085	265995-6	TAPPING SCREW 4X18		5				
086	815N65-1	DUR361U NAME PLATE		1				
087	699060-3	POWER SUPPLY CORD UNIT		1				
088	251314-2	+ SCREW M4X12		3				
089	346784-9	BATTERY GUARD		1				
A01	125516-5	BAND ASSEMBLY		1				
A02	195150-5	CUTTER BLADE SET		1	*			
A02-1	195150-5	CUTTER BLADE SET	O	1				
A03	195246-2	SAFETY GOGGLE		1	*			
A04	450573-7	TOOL COVER		2	*			
A04-1	456924-2	TOOL COVER	O	1				
A05	783018-3	BOX DRIVER		1				
A06	783202-0	HEX. WRENCH 4		1				
A07	831304-7	ACCESSORY BAG		1				
E01	807811-2	SOUND 96DB LABEL		1				

Please order the parts with part number.

Print Date 27/3/2020