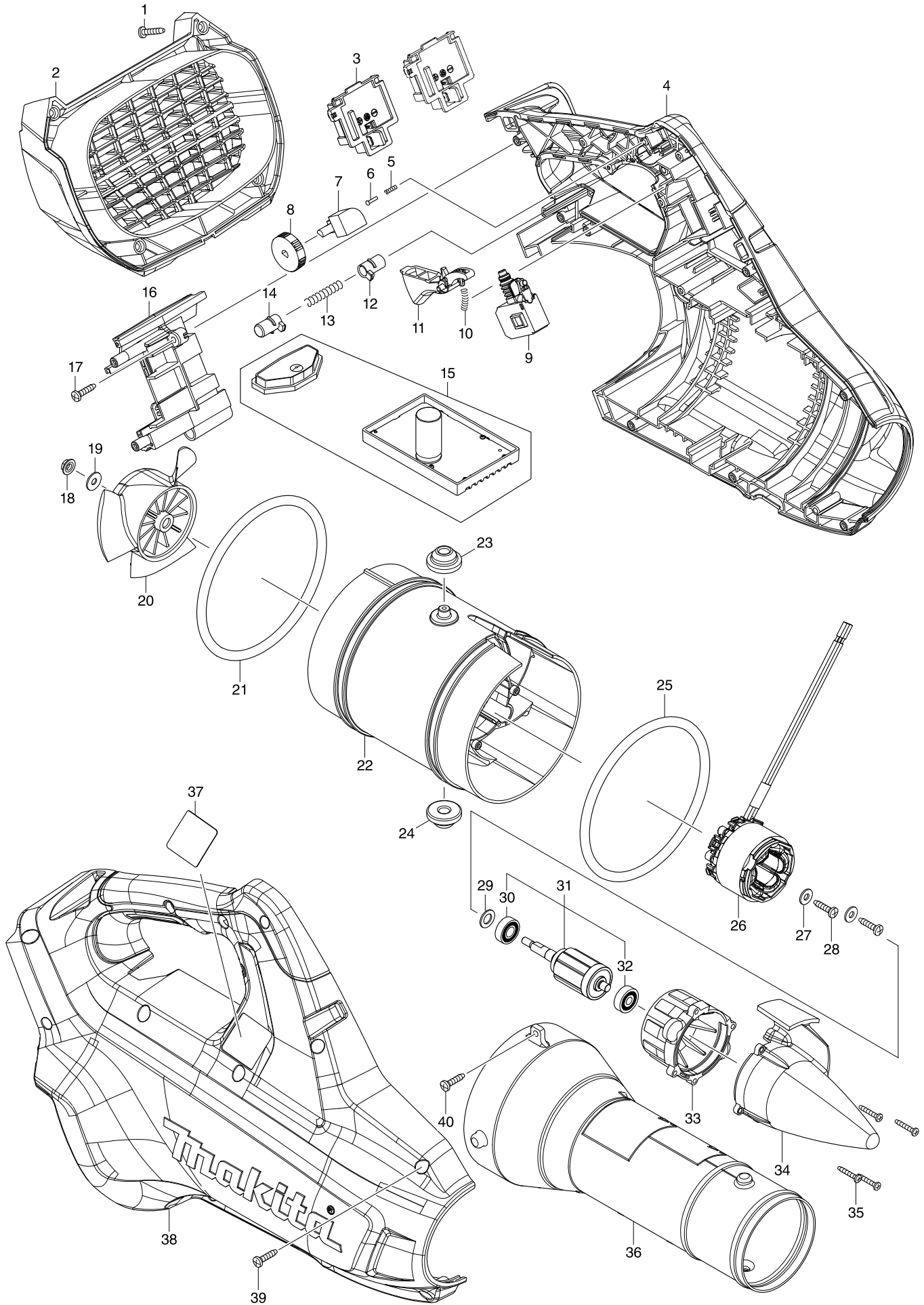


# Model No. DUB362 CORDLESS BLOWER



# Model No. DUB362 CORDLESS BLOWER

| Item | Parts No. | Description                   | I/C | Qty | N/O | Opt. 1 | Opt. 2 | Note |
|------|-----------|-------------------------------|-----|-----|-----|--------|--------|------|
| 001  | 266326-2  | TAPPING SCREW 4X18            |     | 4   |     |        |        |      |
| 002  | 455912-6  | REAR COVER                    |     | 1   |     |        |        |      |
| 003  | 644808-8  | TERMINAL                      |     | 2   |     |        |        |      |
| 004  | 183A81-6  | HOUSING SET                   |     | 1   |     |        |        |      |
| C10  | 263005-3  | RUBBER PIN 6                  |     | 2   |     |        |        |      |
| C20  | 806D81-4  | CAUTION LABEL                 |     | 1   |     |        |        |      |
| D10  |           | INC. 38                       |     |     |     |        |        |      |
| 005  | 233002-3  | COMPRESSION SPRING 3          |     | 1   |     |        |        |      |
| 006  | 255058-6  | RIVET 2                       |     | 1   |     |        |        |      |
| 007  | 620415-1  | SUB CONTROLLER                |     | 1   |     |        |        |      |
| 008  | 271427-3  | DIAL 28                       |     | 1   |     |        |        |      |
| 009  | 650709-0  | SWITCH C3JW-1A-P              |     | 1   |     |        |        |      |
| 010  | 233101-1  | COMPRESSION SPRING 4          |     | 1   |     |        |        |      |
| 011  | 455913-4  | SWITCH LEVER                  |     | 1   |     |        |        |      |
| 012  | 418881-2  | LOCK ON BUTTON                |     | 1   |     |        |        |      |
| 013  | 233092-6  | COMPRESSION SPRING 5          |     | 1   |     |        |        |      |
| 014  | 418881-2  | LOCK ON BUTTON                |     | 1   |     |        |        |      |
| 015  | 143166-4  | CONTROLLER COMPLETE           |     | 1   |     |        |        |      |
| 016  | 143146-0  | CENTER CASE COMPLETE          |     | 1   |     |        |        |      |
| C10  | 263005-3  | RUBBER PIN 6                  |     | 2   |     |        |        |      |
| 017  | 266326-2  | TAPPING SCREW 4X18            |     | 2   |     |        |        |      |
| 018  | 264111-7  | CORNED DISK SPRING HEX.NUT M5 |     | 1   |     |        |        |      |
| 019  | 253194-2  | FLAT WASHER 5                 |     | 1   |     |        |        |      |
| 020  | 240158-5  | FAN 110                       |     | 1   |     |        |        |      |
| 021  | 424721-4  | RUBBER RING 115               |     | 1   |     |        |        |      |
| 022  | 455907-9  | MOTOR HOUSING                 |     | 1   |     |        |        |      |
| 023  | 424194-1  | RUBBER RING 8                 |     | 1   |     |        |        |      |
| 024  | 424194-1  | RUBBER RING 8                 |     | 1   |     |        |        |      |
| 025  | 424721-4  | RUBBER RING 115               |     | 1   |     |        |        |      |
| 026  | 629153-2  | STATOR DC36V                  |     | 1   |     |        |        |      |
| 027  | 253184-5  | FLAT WASHER 5                 |     | 2   |     |        |        |      |
| 028  | 266326-2  | TAPPING SCREW 4X18            |     | 2   |     |        |        |      |
| 029  | 253835-0  | FLAT WASHER 8                 |     | 1   |     |        |        |      |
| 030  | 210040-2  | BALL BEARING 698LLU           |     | 1   |     |        |        |      |
| 031  | 519366-2  | ROTOR ASS'Y                   |     | 1   |     |        |        |      |
| D10  |           | INC. 30,32                    |     |     |     |        |        |      |
| 032  | 210022-4  | BALL BEARING 626DDW           |     | 1   |     |        |        |      |
| 033  | 455908-7  | MOTOR HOUSING COVER           |     | 1   |     |        |        |      |
| 034  | 455909-5  | CAP                           |     | 1   |     |        |        |      |
| 035  | 265935-4  | TAPPING SCREW 3X20            |     | 4   |     |        |        |      |
| 036  | 455914-2  | FRONT NOZZLE                  |     | 1   |     |        |        |      |
| 037  | 850U44-4  | DUB362 NAME PLATE             |     | 1   |     |        |        |      |
| 038  | 183A81-6  | HOUSING SET                   |     | 1   |     |        |        |      |
| C10  | 263005-3  | RUBBER PIN 6                  |     | 2   |     |        |        |      |
| C20  | 806D81-4  | CAUTION LABEL                 |     | 1   |     |        |        |      |
| D10  |           | INC. 4                        |     |     |     |        |        |      |
| 039  | 266326-2  | TAPPING SCREW 4X18            |     | 12  |     |        |        |      |
| 040  | 266326-2  | TAPPING SCREW 4X18            |     | 2   | *   |        |        |      |

