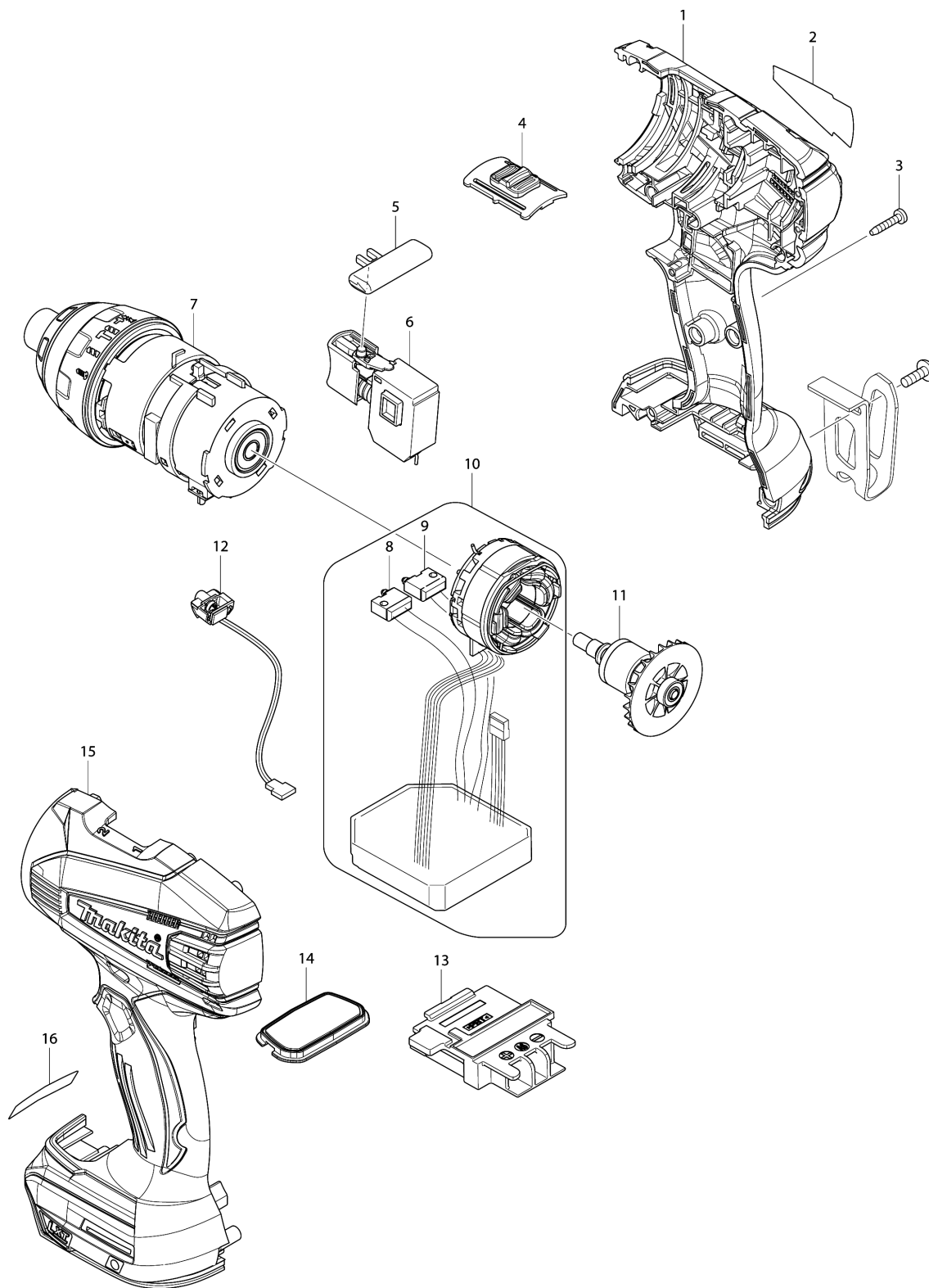
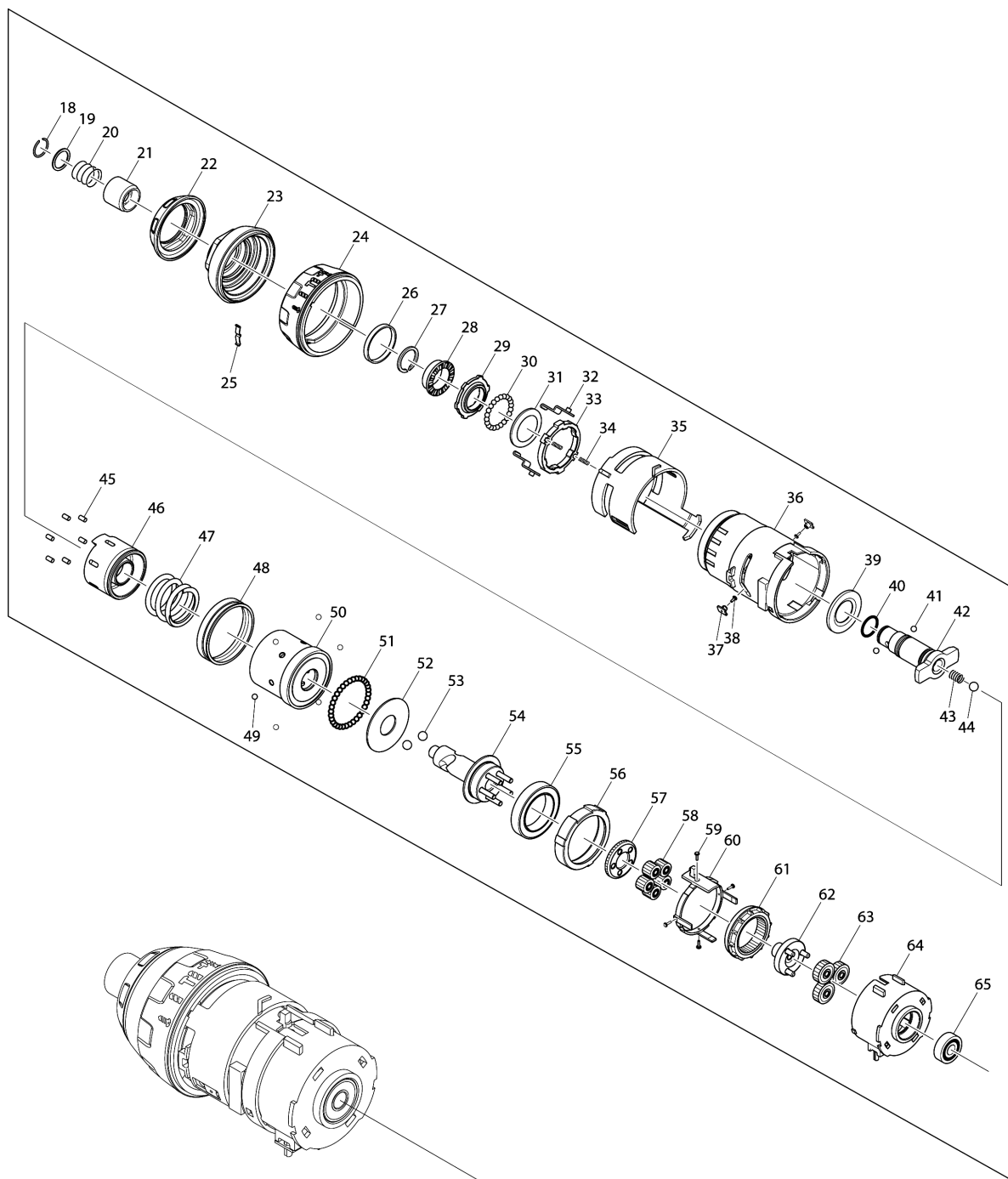


# Model No.DTP131 CORDLESS 4 MODE IMPACT DRIVER





# Model No.DTP131 CORDLESS 4 MODE IMPACT DRIVER





## Model No.DTP131 CORDLESS 4 MODE IMPACT DRIVER

| Item | Parts No. | Description                    | I/C | Qty | New/Old | Opt. 1 | Opt. 2 | Note |
|------|-----------|--------------------------------|-----|-----|---------|--------|--------|------|
| 001  | 187266-0  | HOUSING SET                    |     | 1   |         |        |        |      |
| C10  | 263005-3  | RUBBER PIN 6                   |     | 2   |         |        |        |      |
| D10  |           | INC. 15                        |     |     |         |        |        |      |
| 002  | 815T63-1  | DTP131 NAME PLATE              |     | 1   |         |        |        |      |
| 003  | 266130-9  | TAPPING SCREW BIND PT<br>3X16  |     | 9   |         |        |        |      |
| 004  | 126105-9  | SPEED CHANGE LEVER<br>ASSEMBLY |     | 1   |         |        |        |      |
| C10  | 234232-9  | COMPRESSION SPRING 3           |     | 2   |         |        |        |      |
| 005  | 419041-9  | F/R CHANGE LEVER               |     | 1   |         |        |        |      |
| 006  | 650673-5  | SWITCH C3JW-1A                 |     | 1   |         |        |        |      |
| 007  | 126341-7  | IMPACT ASSEMBLY M              |     | 1   |         |        |        |      |
| D10  |           | INC. 18-65                     |     |     |         |        |        |      |
| 008  | 638958-9  | SWITCH UNIT                    |     | 1   |         |        |        |      |
| 009  | 638959-7  | SWITCH UNIT                    |     | 1   |         |        |        |      |
| 010  | 638898-1  | STATOR COMPLETE                |     | 1   |         |        |        |      |
| D10  |           | INC. 8,9                       |     |     |         |        |        |      |
| 011  | 619292-6  | ROTOR                          |     | 1   |         |        |        |      |
| 012  | 620092-9  | LED CIRCUIT                    |     | 1   |         |        |        |      |
| 013  | 643850-6  | TERMINAL                       |     | 1   |         |        |        |      |
| 014  | 141268-0  | SWITCH PLATE COMPLETE          |     | 1   |         |        |        |      |
| 015  | 187266-0  | HOUSING SET                    |     | 1   |         |        |        |      |
| C10  | 263005-3  | RUBBER PIN 6                   |     | 2   |         |        |        |      |
| D10  |           | INC. 1                         |     |     |         |        |        |      |
| 018  | 231951-8  | RING SPRING 11                 |     | 1   |         |        |        |      |
| 019  | 267085-1  | FLAT WASHER 12                 |     | 1   |         |        |        |      |
| 020  | 233005-7  | COMPRESSION SPRING 13          |     | 1   |         |        |        |      |
| 021  | 324420-7  | SLEEVE                         |     | 1   |         |        |        |      |
| 022  | 424485-0  | BAMPER                         |     | 1   |         |        |        |      |
| 023  | 135505-2  | HAMMER CASE ASS'Y              |     | 1   |         |        |        |      |
| 024  | 453321-3  | CHANGE RING                    |     | 1   |         |        |        |      |
| 025  | 232272-1  | LEAF SPRING                    |     | 1   |         |        |        |      |
| 026  | 257809-3  | SLEEVE 24                      |     | 1   |         |        |        |      |
| 027  | 961085-0  | RETAINING RING WR-15           |     | 1   |         |        |        |      |
| 028  | 223175-0  | CAM A                          |     | 1   |         |        |        |      |
| 029  | 223176-8  | CAM B                          |     | 1   |         |        |        |      |
| 030  | 216019-1  | STEEL BALL 3                   |     | 22  |         |        |        |      |
| 031  | 267839-6  | CUP WASHER                     |     | 1   |         |        |        |      |
| 032  | 346560-1  | HAMMER CHANGE PLATE            |     | 2   |         |        |        |      |
| 033  | 313227-6  | HAMMER CHANGE RING             |     | 1   |         |        |        |      |
| 034  | 234231-1  | COMPRESSION SPRING 2           |     | 2   |         |        |        |      |
| 035  | 453320-5  | CHANGE CASE                    |     | 1   |         |        |        |      |
| 036  | 135504-4  | GEAR CASE ASS'Y                |     | 1   |         |        |        |      |

Please order the parts with part number.

Print Date 15/5/2019

## Model No.DTP131 CORDLESS 4 MODE IMPACT DRIVER

| Item   | Parts No. | Description                    | I/C | Qty | New/Old | Opt. 1 | Opt. 2 | Note |
|--------|-----------|--------------------------------|-----|-----|---------|--------|--------|------|
| 037    | 453324-7  | PIN GUIDE                      |     | 2   |         |        |        |      |
| 038    | 256537-7  | FLAT FILLISTER HD. PIN 1.2-3.5 |     | 2   |         |        |        |      |
| 039    | 261130-4  | NYLON WASHER 15                |     | 1   |         |        |        |      |
| 040    | 213166-9  | O RING 12.5                    |     | 1   |         |        |        |      |
| 041    | 216001-0  | STEEL BALL 3.5                 |     | 2   |         |        |        |      |
| 042    | 326126-3  | ANVIL M                        |     | 1   |         |        |        |      |
| 043    | 234233-7  | COMPRESSION SPRING 5           |     | 1   |         |        |        |      |
| 044    | 216011-7  | STEEL BALL 5.6                 |     | 1   |         |        |        |      |
| 045    | 256272-7  | PIN 2.5                        |     | 6   |         |        |        |      |
| 046    | 326123-9  | HAMMER                         |     | 1   |         |        |        |      |
| 047    | 234234-5  | COMPRESSION SPRING 22          |     | 1   |         |        |        |      |
| 048    | 331977-1  | CHANGE SLEEVE                  |     | 1   |         |        |        |      |
| 049    | 216019-1  | STEEL BALL 3                   |     | 6   |         |        |        |      |
| 050    | 326124-7  | OUTER HAMMER                   |     | 1   |         |        |        |      |
| 051    | 216019-1  | STEEL BALL 3                   |     | 34  |         |        |        |      |
| 052    | 267453-8  | FLAT WASHER 14                 |     | 1   |         |        |        |      |
| 053    | 216011-7  | STEEL BALL 5.6                 |     | 2   |         |        |        |      |
| 054    | 142037-2  | SPINDLE COMPLETE               |     | 1   |         |        |        |      |
| 055    | 211379-6  | BALL BEARING 6805LLB           |     | 1   |         |        |        |      |
| 056    | 453325-5  | BEARING CASE                   |     | 1   |         |        |        |      |
| 057    | 227319-4  | SPUR GEAR 41                   |     | 1   |         |        |        |      |
| 058    | 227320-9  | SPUR GEAR 14B                  |     | 5   |         |        |        |      |
| 059    | 268266-0  | FLAT FILLISTER HD. PIN 1.2     |     | 4   |         |        |        |      |
| 060    | 453323-9  | CHANGE LEVER                   |     | 1   |         |        |        |      |
| 061    | 227287-1  | INTERNAL GEAR 41               |     | 1   |         |        |        |      |
| 062    | 141251-7  | SPUR GEAR 14A COMPLETE         |     | 1   |         |        |        |      |
| 063    | 227284-7  | SPUR GEAR 21                   |     | 3   |         |        |        |      |
| 064    | 135506-0  | MOTOR BRACKET ASS'Y            |     | 1   |         |        |        |      |
| 065    | 211022-7  | BALL BEARING 607ZZ             |     | 1   |         |        |        |      |
| A01    | 251314-2  | + SCREW M4X12                  |     | 1   |         |        |        |      |
| A02    | 346317-0  | HOOK                           |     | 1   |         |        |        |      |
| A03E   | ***DC18RC | DC18RC FAST CHARGER            |     | 1   |         |        |        |      |
| A04E   | 194065-3  | BATTERY BL1430 SET             |     | 2   | *       |        |        |      |
| A04-1E | 194065-3  | BATTERY BL1430 SET             | O   | 2   | *       |        |        |      |
| A04-2E | 197616-1  | BATTERY BL1430B SET            | <   | 2   | *       |        |        |      |
| A04-3E | 197616-1  | BATTERY BL1430B SET            | O   | 2   |         |        |        |      |
| A05E   | 450128-8  | BATTERY COVER                  |     | 1   |         |        |        |      |
| A06E   | 821550-0  | CONNECTOR PLASTIC CASE (TYPE2) |     | 1   |         |        |        |      |
| C10    | 453974-8  | LATCH                          |     | 4   |         |        |        |      |
| A06F   | 821550-0  | CONNECTOR PLASTIC CASE (TYPE2) |     | 1   |         |        |        |      |
| C10    | 453974-8  | LATCH                          |     | 4   |         |        |        |      |

Please order the parts with part number.

Print Date 15/5/2019

## Model No.DTP131 CORDLESS 4 MODE IMPACT DRIVER

| Item | Parts No. | Description                  | I/C | Qty | New/Old | Opt. 1 | Opt. 2 | Note |
|------|-----------|------------------------------|-----|-----|---------|--------|--------|------|
| A07E | 837670-0  | INNER TRAY                   |     | 1   |         |        |        |      |
| A07F | 837670-0  | INNER TRAY                   |     | 1   |         |        |        |      |
| A08E | 804D36-3  | DTP131RFJ INDICATION LABEL   |     | 1   |         |        |        |      |
| A08F | 804D37-1  | DTP131ZJ INDICATION LABEL    |     | 1   |         |        |        |      |
| A09E | 804D40-2  | DTP131RFJ PLASTIC CASE LABEL |     | 2   |         |        |        |      |
| A09F | 804D41-0  | DTP131ZJ PLASTIC CASE LABEL  |     | 2   |         |        |        |      |

Please order the parts with part number.

Print Date 15/5/2019