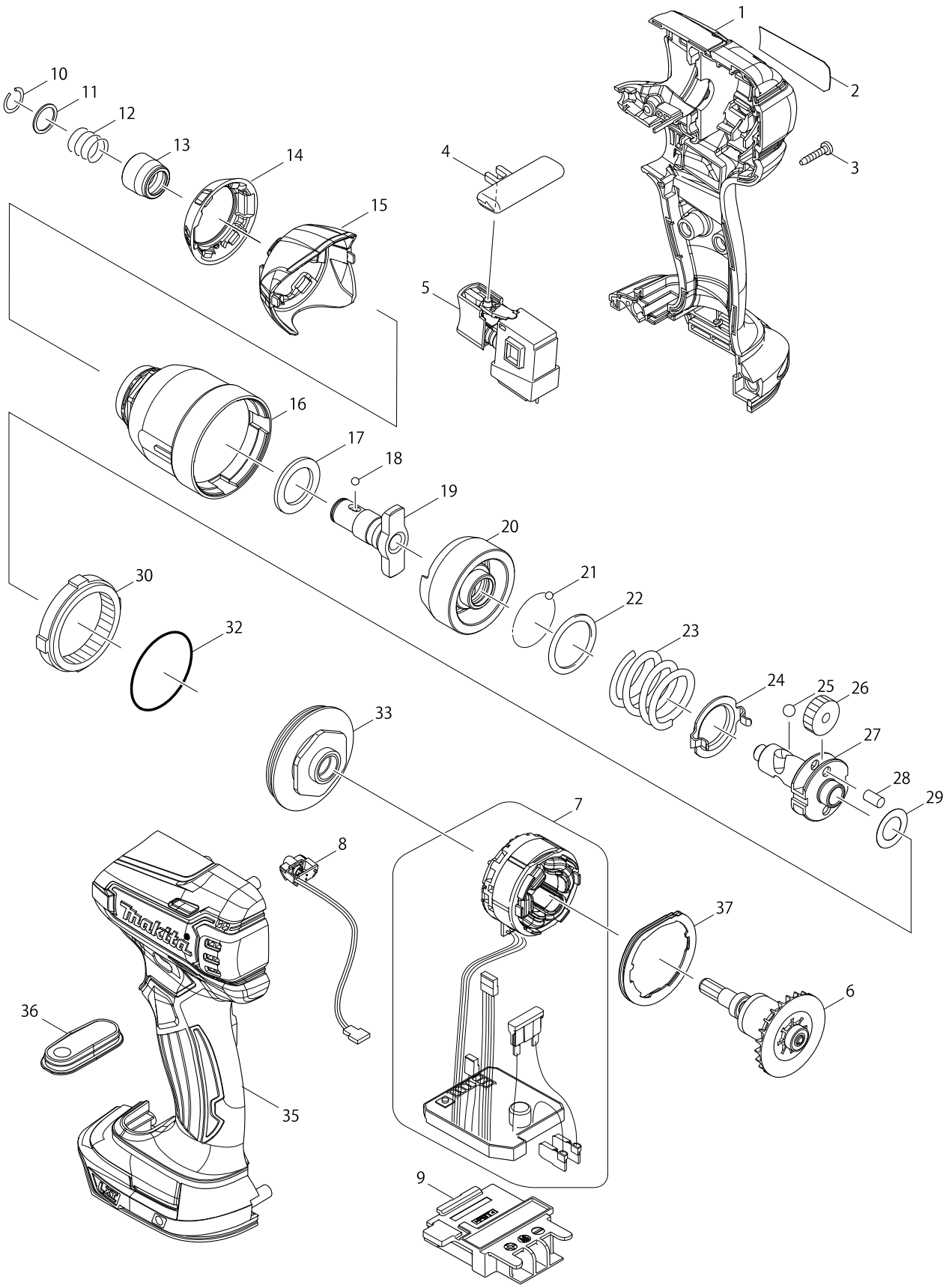


Model No. DTD136 CORDLESS IMPACT DRIVER



Model No. DTD136 CORDLESS IMPACT DRIVER

Item	Parts No.	Description	I/C	Qty	N/O	Opt. 1	Opt. 2	Note
001	187383-6	HOUSING SET		1				
C10	263005-3	RUBBER PIN 6		2				
D10		INC. 35						
002	815K90-4	DTD136 NAME PLATE		1				
003	266130-9	TAPPING SCREW BIND PT 3X16		9				
004	419041-9	F/R CHANGE LEVER		1				
005	141448-8	SWITCH COMPLETE		1				
C10	424496-5	SEAL		1				
006E	619297-6	ROTER		1	*			
006F	619297-6	ROTER		1	*			
006G	619297-6	ROTER		1	*			
006H	619297-6	ROTER		1	*			
006-1E	619353-2	ROTOR	<	1				
006-1F	619353-2	ROTOR	<	1				
006-1G	619353-2	ROTOR	<	1				
006-1H	619353-2	ROTOR	<	1				
006-1I	619353-2	ROTOR		1				
007	632A39-7	STATOR UNIT		1				
008	620136-5	LED CIRCUIT		1				
009	643850-6	TERMINAL		1				
010	231951-8	RING SPRING 11		1				
011	267085-1	FLAT WASHER 12		1				
012	233005-7	COMPRESSION SPRING 13		1				
013	326072-0	BIT SLEEVE		1				
014	424495-7	BUMPER		1				
015	453664-3	HAMMER CASE COVER		1				
016	141477-1	HAMMER CASE COMPLETE		1				
017	261151-6	NYLON WASHER 19		1				
018	216001-0	STEEL BALL 3.5		2				
019	326071-2	ANVIL M		1				
020	326054-2	HAMMER		1				
021	216001-0	STEEL BALL 3.5		24				
022	267175-0	FLAT WASHER 24		1				
023	233430-2	COMPRESSION SPRING 24		1				
024	346466-3	PLATE		1				
025	216011-7	STEEL BALL 5.6		2				
026	227233-4	SPUR GEAR 22		2				
027	326066-5	SPINDLE		1				
028	256253-1	PIN 5		2				
029	253362-7	THIN WASHER 12		1				
030	227150-8	INTERNAL GEAR 51		1				
032	213507-9	O RING 40		1				
033	158145-9	BEARING BOX COMPLETE		1				
035	187383-6	HOUSING SET		1				
C10	263005-3	RUBBER PIN 6		2				
D10		INC. 1						
036	141583-2	SWITCH PLATE COMPLETE		1	*			
036-1	141583-2	SWITCH PLATE COMPLETE	<	1				

Model No. DTD136 CORDLESS IMPACT DRIVER

Item	Parts No.	Description	I/C	Qty	N/O	Opt. 1	Opt. 2	Note
037	453665-1	BAFFLE PLATE		1				
A01	346317-0	HOOK		1				
A02	266622-8	+ TRUSS HEAD SCREW M4X12		1				
A03F	***DC18RC	DC18RC FAST CHARGER		1				
A03G	***DC18RC	DC18RC FAST CHARGER		1				
A03I	***DC18RC	DC18RC FAST CHARGER		1				
A04F	194065-3	BATTERY BL1430 SET		2	*			
A04G	194065-3	BATTERY BL1430 SET		2	*			
A04I	196388-5	BATTERY BL1440 SET		2	*			
A04-1F	194065-3	BATTERY BL1430 SET	O	2				
A04-1G	194065-3	BATTERY BL1430 SET	O	2				
A04-1I	196388-5	BATTERY BL1440 SET	O	2				
A05F	450128-8	BATTERY COVER		1				
A05G	450128-8	BATTERY COVER		1				
A05I	450128-8	BATTERY COVER		1				
A06F	824979-9	PLASTIC CARRYING CASE		1				
C10	162302-3	LATCH		2				
C20	324319-6	SHAFT		1				
C30	451749-9	HANDLE		1				
A06G	821550-0	CONNECTOR PLASTIC CASE (TYPE2)		1				
C10	453974-8	LATCH		4				
A06H	821550-0	CONNECTOR PLASTIC CASE (TYPE2)		1				
C10	453974-8	LATCH		4				
A06I	821550-0	CONNECTOR PLASTIC CASE (TYPE2)		1				
C10	453974-8	LATCH		4				
A07F	803J21-9	DTD136RFE PLASTIC CASE LABEL		2				
A07G	837670-0	INNER TRAY		1				
A07H	837670-0	INNER TRAY		1				
A07I	837670-0	INNER TRAY		1				
A08G	803J17-0	DTD136RFJ INDICATION LABEL		1				
A08H	803J18-8	DTD136ZJ INDICATION LABEL		1				
A08I	804C68-4	DTD136RMJ INDICATION LABEL		1				
A09G	803J19-6	DTD136RFJ PLASTIC CASE LABEL		2				
A09H	803J20-1	DTD136ZJ PLASTIC CASE LABEL		2				
A09I	804C69-2	DTD136RMJ PLASTIC CASE LABEL		2				