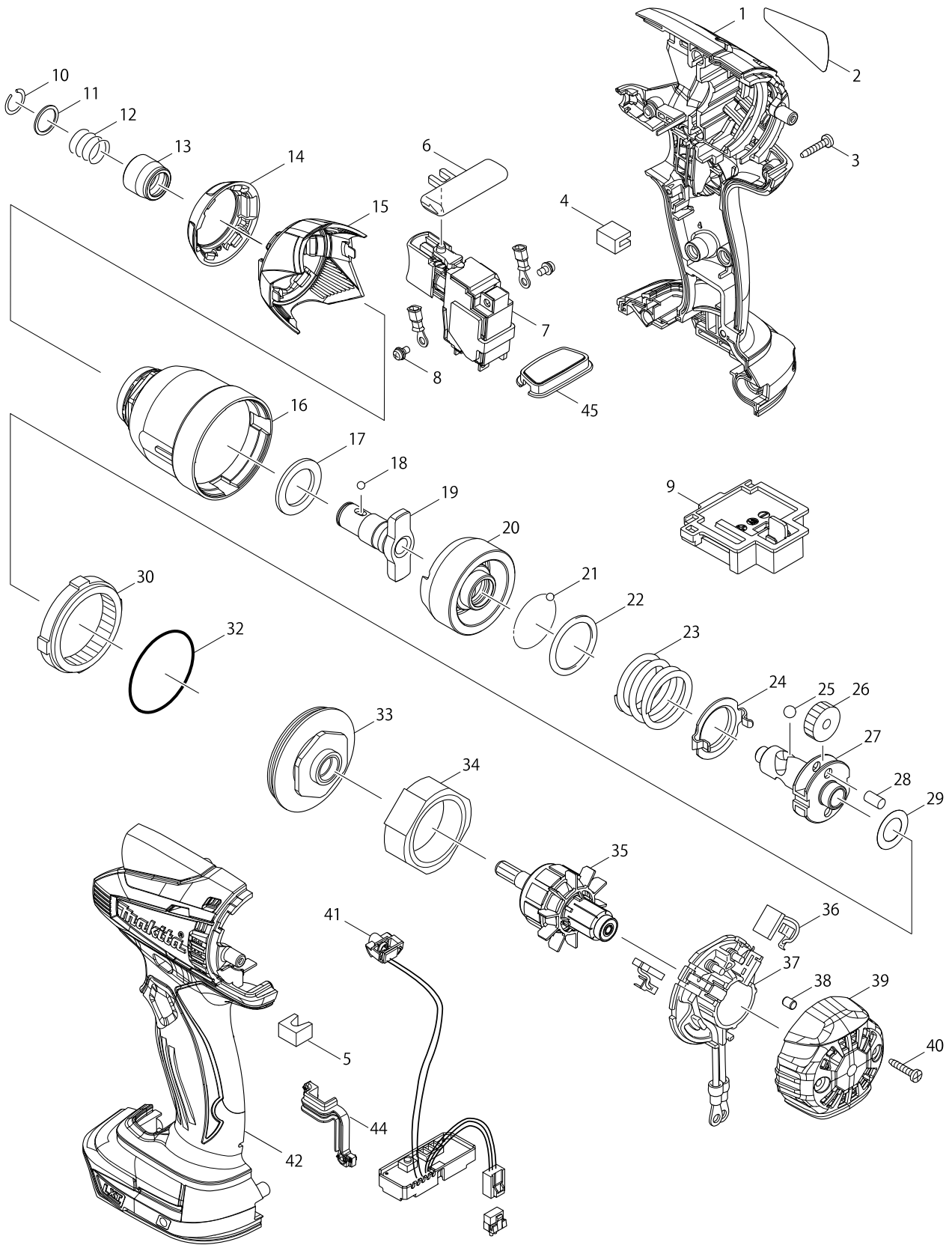


Model No. DTD134 CORDLESS IMPACT DRIVER



Model No. DTD134 CORDLESS IMPACT DRIVER

Item	Parts No.	Description	I/C	Qty	N/O	Opt. 1	Opt. 2	Note
001	187114-3	HOUSING SET		1				
C10	263005-3	RUBBER PIN 6		2				
D10		INC. 42						
002	815L18-8	DTD134 NAME PLATE		1				
003	266429-2	TAPPING SCREW 3X16		8				
004	423423-9	SPONGE B		1				
005	423422-1	SPONGE A		1				
006	419041-9	F/R CHANGE LEVER		1				
007	650722-8	SWITCH TG573FSB-1		1				
008	652045-0	+PAN HEAD SCREW M3.5X5		2				
009	643854-8	TERMINAL		1				
010	231951-8	RING SPRING 11		1				
011	267085-1	FLAT WASHER 12		1				
012	233005-7	COMPRESSION SPRING 13		1				
013	326072-0	BIT SLEEVE		1				
014	424429-0	BUMPER		1				
015	452837-5	HAMMER CASE COVER		1				
016	140946-9	HAMMER CASE COMPLETE		1				
017	261151-6	NYLON WASHER 19		1				
018	216001-0	STEEL BALL 3.5		2	*			
018-1	216040-0	STEEL BALL 3.5	O	2				
019	326071-2	ANVIL M		1				
020	326054-2	HAMMER		1				
021	216001-0	STEEL BALL 3.5		24	*			
021-1	216040-0	STEEL BALL 3.5	O	24				
022	267175-0	FLAT WASHER 24		1				
023	233430-2	COMPRESSION SPRING 24		1				
024	346466-3	PLATE		1				
025	216011-7	STEEL BALL 5.6		2	*			
025-1	216041-8	STEEL BALL 5.6	O	2				
026	227233-4	SPUR GEAR 22		2	*			
026-1	227362-3	SPUR GEAR 22	<	2				
027	326066-5	SPINDLE		1				
028	256253-1	PIN 5		2				
029	253362-7	THIN WASHER 12		1				
030	227150-8	INTERNAL GEAR 51		1				
032	213507-9	O RING 40		1				
033	158145-9	BEARING BOX COMPLETE		1				
034	638396-5	YOKE UNIT		1				
035	619244-7	ARMATURE		1	*			
035-1	619370-2	ARMATURE	<	1				
036	194427-5	CARBON BRUSH CB-440		1				
037	638895-7	BRUSH HOLDER COMPLETE		1				
C10	688161-2	LINE FILTER		1				
038	263032-0	RUBBER PIN 4		2				
039	452832-5	REAR COVER		1				
040	266429-2	TAPPING SCREW 3X16		2				
041	620051-3	LIGHT CIRCUIT		1				

Model No. DTD134 CORDLESS IMPACT DRIVER

Item	Parts No.	Description	I/C	Qty	N/O	Opt. 1	Opt. 2	Note
042	187114-3	HOUSING SET		1				
C10	263005-3	RUBBER PIN 6		2				
D10		INC. 1						
044	424430-5	SEAL		1				
045	140963-9	SWITCH PLATE COMPLETE		1				
A01	266622-8	+ TRUSS HEAD SCREW M4X12		1				
A02E	346449-3	HOOK		1				
A02F	346317-0	HOOK		1				
A02G	346317-0	HOOK		1				
A02H	346449-3	HOOK		1				
A03F	450128-8	BATTERY COVER		1				
A03G	450128-8	BATTERY COVER		1				
A04F	***DC18RC	DC18RC FAST CHARGER		1				
A04G	***DC18RC	DC18RC FAST CHARGER		1				
A05F	194065-3	BATTERY BL1430 SET		2	*			
A05G	194065-3	BATTERY BL1430 SET		2	*			
A05-1F	194065-3	BATTERY BL1430 SET	O	2	*			
A05-1G	194065-3	BATTERY BL1430 SET	O	2	*			
A05-2F	197616-1	BATTERY BL1430B SET	<	2				
A05-2G	197616-1	BATTERY BL1430B SET	<	2				
A06F	824979-9	PLASTIC CARRYING CASE		1				
A06G	821550-0	CONNECTOR PLASTIC CASE (TYPE2)		1				
C10	453974-8	LATCH		4				
A06H	821550-0	CONNECTOR PLASTIC CASE (TYPE2)		1				
C10	453974-8	LATCH		4				
A07F	803K00-3	DTD134RFE PLASTIC CASE LABEL		2				
A07G	837670-0	INNER TRAY		1				
A07H	837670-0	INNER TRAY		1				
A08G	803J94-2	DTD134RFJ PLASTIC CASE LABEL		2				
A08H	803J96-8	DTD134ZJ PLASTIC CASE LABEL		2				
A09G	803K09-5	DTD134RFJ INDICATION LABEL		1				
A09H	803K11-8	DTD134ZJ INDICATION LABEL		1				