



**EN** Cordless Steel Rod Cutter  
Instruction manual

**SV** Sladdlös stålstångskapare  
Bruksanvisning

**NO** Batteridrevet stålørkutter  
Bruksanvisning

**FI** Akkuharjateräsleikkuri  
Käyttöopas

**LV** Akumulatora armatūras knaibles  
Lietošanas rokasgrāmata

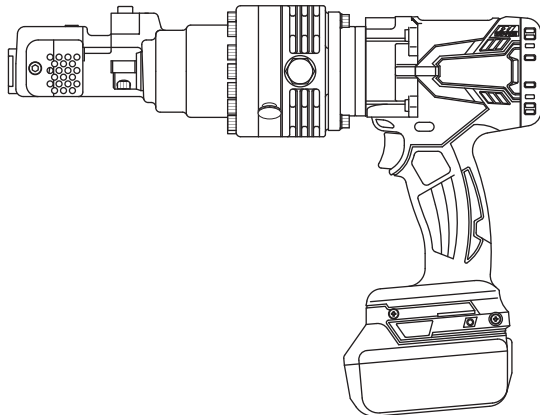
**LT** Belaidės armatūros kirpimo žirklys  
Naudojimo instrukcija

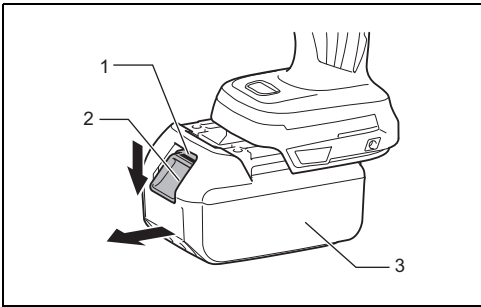
**ET** Akuga armatuurilõikur  
Kasutusjuhend

**RU** Аккумуляторный резчик стальных стержней  
Руководство по эксплуатации

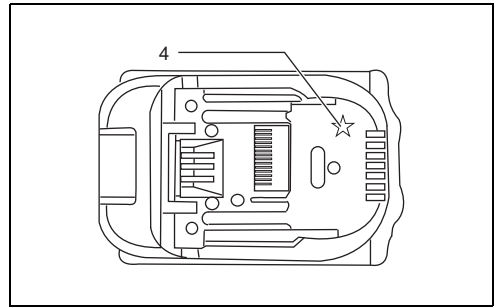
**KK** Аккумуляторлы гидравликалық қайшы  
Пайдалану нұсқаулығы

## DSC163

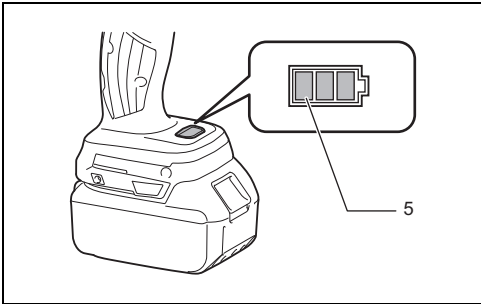




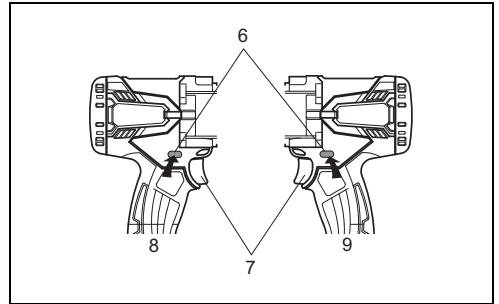
1



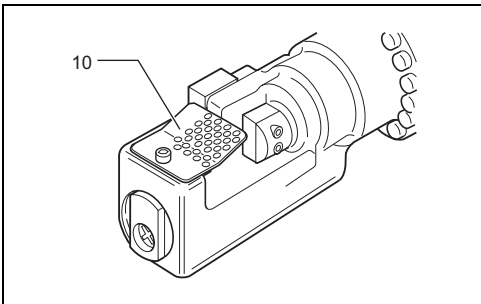
2



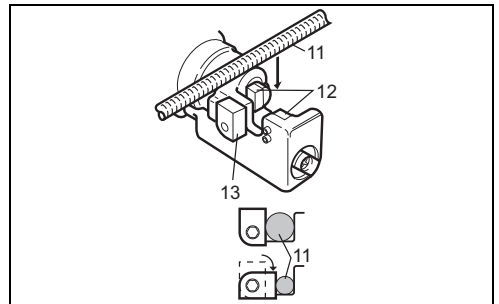
3



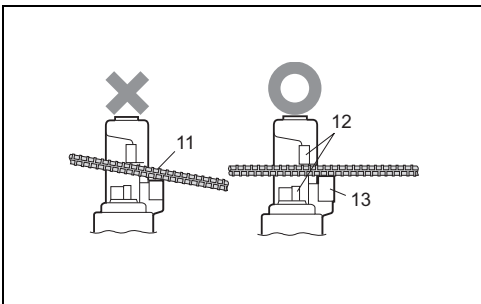
4



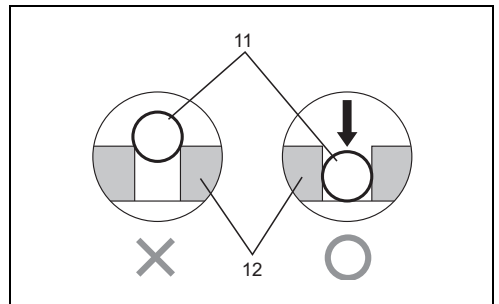
5



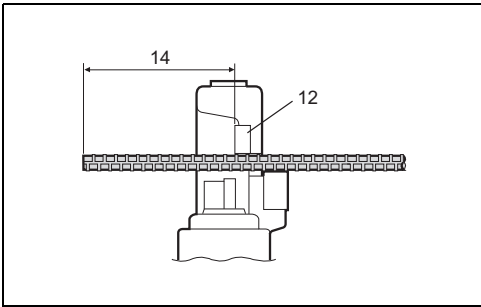
6



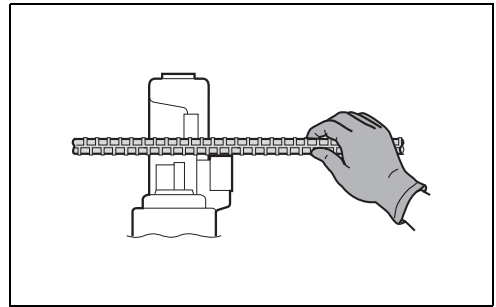
7



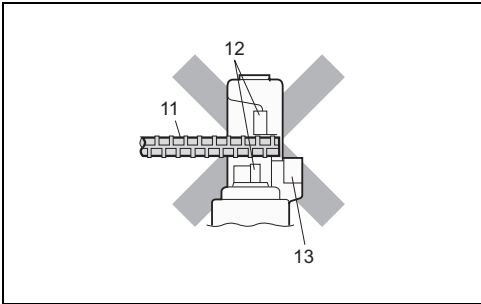
8



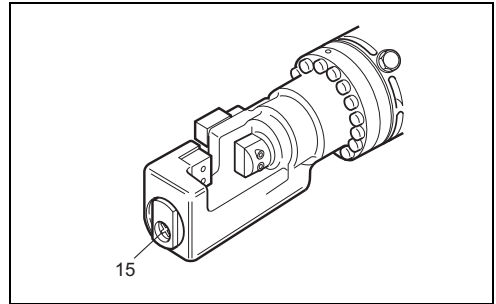
9



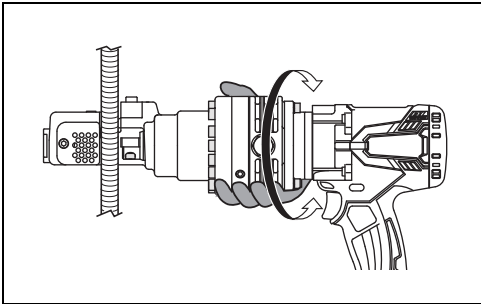
10



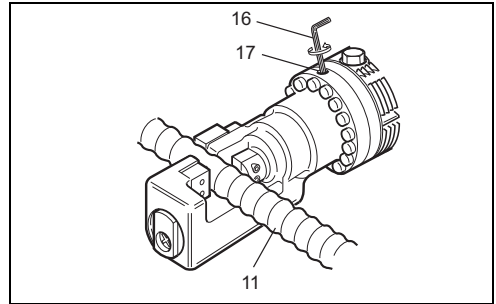
11



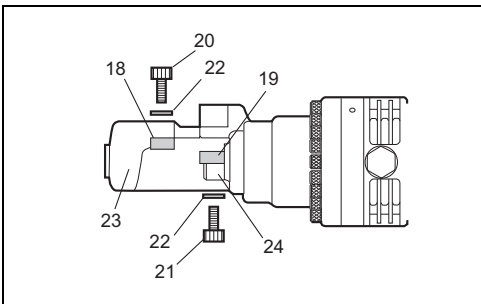
12



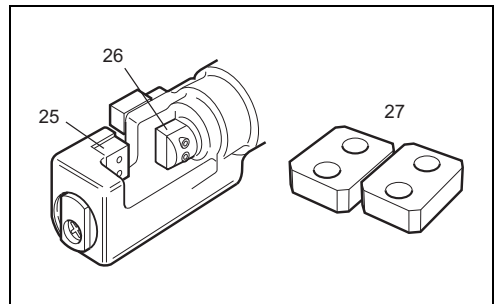
13



14



15



16

## ENGLISH (Original instructions)

### Explanation of general view

- |                      |                             |                             |
|----------------------|-----------------------------|-----------------------------|
| 1. Red indicator     | 10. Protector               | 19. Blade B (Thinner Blade) |
| 2. Button            | 11. Rebar                   | 20. Bolt (Longer)           |
| 3. Battery cartridge | 12. Blades                  | 21. Bolt (Shorter)          |
| 4. Star marking      | 13. Stopper                 | 22. Washer                  |
| 5. LED indicator     | 14. More than 200 mm        | 23. Bar Holder              |
| 6. Switch Lock       | 15. Air Hole                | 24. Cutter Rod              |
| 7. Switch trigger    | 16. Hex Wrench              | 25. Blade A on Bar Holder   |
| 8. Side A            | 17. Return Valve            | 26. Blade B on Cutter Rod   |
| 9. Side B            | 18. Blade A (Thicker Blade) | 27. Spare Blades            |

## SPECIFICATIONS

Model	DSC163
Max. Cutting Capacity (Dia.mm)	16 mm
Grade 40 - Grade 60	
Grade 40: Tensile Strength 490 N/mm <sup>2</sup> 70,000 PSI	
Grade 60: Tensile Strength 620 N/mm <sup>2</sup> 90,000 PSI	
Cutting Speed	2.8 seconds
Overall length	360 mm
Net weight	6.9 kg
Rated voltage	D.C. 18V

- Due to our continuing program of research and development, the specifications herein are subject to change without notice.
- Specifications and battery cartridge may differ from country to country.
- Weight, with battery cartridge, according to EPTA-Procedure 01/2014

### Applicable battery cartridge

BL1830 / BL1830B / BL1840 / BL1840B / BL1850 / BL1850B / BL1860B

- Some of the battery cartridges listed above may not be available depending on your region of residence.

### **WARNING:**

- **Only use the battery cartridges listed above.** Use of any other battery cartridges may cause injury and/or fire.

## Symbols

The following show the symbols used for the equipment. Be sure that you understand their meaning before use.



..... Read instruction manual.



..... Only for EU countries

Do not dispose of electric equipment or battery pack together with household waste material!

In observance of the European Directives, on Waste Electric and Electronic Equipment and Batteries and Accumulators and Waste Batteries and Accumulators and their implementation in accordance with national laws, electric equipment and batteries and battery pack(s) that have reached the end of their life must be collected separately and returned to an environmentally compatible recycling facility.

### Intended use

The tool is intended for cutting rebar.

### Noise

The typical A-weighted noise level determined according to EN60745-1:

Sound pressure level (LpA) : 78 dB (A)

Uncertainty (K) : 3 dB (A)

The noise level under working may exceed 80 dB (A).

### **Wear ear protection**

### Vibration

The vibration total value (tri-axial vector sum) determined according to EN60745-1:

Work mode : cutting rebar

Vibration emission (a<sub>h</sub>) : 2.5 m/s<sup>2</sup> or less

Uncertainty (K) : 1.5 m/s<sup>2</sup>

- The declared vibration emission value has been measured in accordance with the standard test method and may be used for comparing one tool with another.
- The declared vibration emission value may also be used in a preliminary assessment of exposure.

### **⚠ WARNING:**

- The vibration emission during actual use of the power tool can differ from the declared emission value depending on the ways in which the tool is used.
- Be sure to identify safety measures to protect the operator that are based on an estimation of exposure in the actual conditions of use (taking account of all parts of the operating cycle such as the times when the tool is switched off and when it is running idle in addition to the trigger time).

## **EC Declaration of Conformity**

### **For European countries only**

The EC declaration of conformity is included as Annex A to this instruction manual.

## **General power tool safety warnings**

**⚠ WARNING: Read all safety warnings, instructions, illustrations and specifications provided with this power tool.** Failure to follow all instructions listed below may result in electric shock, fire and/or serious injury.

## **Save all warnings and instructions for future reference.**

The term "power tool" in the warnings refers to your mains-operated (corded) power tool or battery-operated (cordless) power tool.

### **Work area safety**

1. **Keep work area clean and well lit.** Cluttered or dark areas invite accidents.
2. **Do not operate power tools in explosive atmospheres, such as in the presence of flammable liquids, gases or dust.** Power tools create sparks which may ignite the dust or fumes.
3. **Keep children and bystanders away while operating a power tool.** Distractions can cause you to lose control.

### **Electrical Safety**

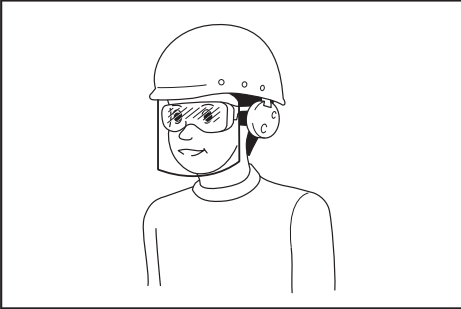
1. **Power tool plugs must match the outlet. Never modify the plug in any way. Do not use any adapter plugs with earthed (grounded) power tools.** Unmodified plugs and matching outlets will reduce risk of electric shock.
2. **Avoid body contact with earthed or grounded surfaces, such as pipes, radiators, ranges and refrigerators.** There is an increased risk of electric shock if your body is earthed or grounded.
3. **Do not expose power tools to rain or wet conditions.** Water entering a power tool will increase the risk of electric shock.
4. **Do not abuse the cord. Never use the cord for carrying, pulling or unplugging the power tool. Keep cord away from heat, oil, sharp edges or moving parts.** Damaged or entangled cords increase the risk of electric shock.

5. **When operating a power tool outdoors, use an extension cord suitable for outdoor use.** Use of a cord suitable for outdoor use reduces the risk of electric shock.
6. **If operating a power tool in a damp location is unavoidable, use a residual current device (RCD) protected supply.** Use of an RCD reduces the risk of electric shock.
7. **Power tools can produce electromagnetic fields (EMF) that are not harmful to the user.** However, users of pacemakers and other similar medical devices should contact the maker of their device and/or doctor for advice before operating this power tool.

### **Personal Safety**

1. **Stay alert, watch what you are doing and use common sense when operating a power tool. Do not use a power tool while you are tired or under the influence of drugs, alcohol or medication.** A moment of inattention while operating power tools may result in serious personal injury.
2. **Use personal protective equipment. Always wear eye protection.** Protective equipment such as a dust mask, non-skid safety shoes, hard hat or hearing protection used for appropriate conditions will reduce personal injuries.
3. **Prevent unintentional starting. Ensure the switch is in the off-position before connecting to power source and/or battery pack, picking up or carrying the tool.** Carrying power tools with your finger on the switch or energising power tools that have the switch on invites accidents.
4. **Remove any adjusting key or wrench before turning the power tool on.** A wrench or a key left attached to a rotating part of the power tool may result in personal injury.
5. **Do not overreach. Keep proper footing and balance at all times.** This enables better control of the power tool in unexpected situations.
6. **Dress properly. Do not wear loose clothing or jewellery. Keep your hair and clothing away from moving parts.** Loose clothes, jewellery or long hair can be caught in moving parts.
7. **If devices are provided for the connection of dust extraction and collection facilities, ensure these are connected and properly used.** Use of dust collection can reduce dust-related hazards.
8. **Do not let familiarity gained from frequent use of tools allow you to become complacent and ignore tool safety principles.** A careless action can cause severe injury within a fraction of a second.

9. **Always wear protective goggles to protect your eyes from injury when using power tools. The goggles must comply with ANSI Z87.1 in the USA, EN 166 in Europe, or AS/NZS 1336 in Australia/New Zealand. In Australia/New Zealand, it is legally required to wear a face shield to protect your face, too.**



It is an employer's responsibility to enforce the use of appropriate safety protective equipments by the tool operators and by other persons in the immediate working area.

#### **Power tool use and care**

1. **Do not force the power tool. Use the correct power tool for your application.** The correct power tool will do the job better and safer at the rate for which it was designed.
2. **Do not use the power tool if the switch does not turn it on and off.** Any power tool that cannot be controlled with the switch is dangerous and must be repaired.
3. **Disconnect the plug from the power source and/or remove the battery pack, if detachable, from the power tool before making any adjustments, changing accessories, or storing power tools.** Such preventive safety measures reduce the risk of starting the power tool accidentally.
4. **Store idle power tools out of the reach of children and do not allow persons unfamiliar with the power tool or these instructions to operate the power tool.** Power tools are dangerous in the hands of untrained users.
5. **Maintain power tools and accessories. Check for misalignment or binding of moving parts, breakage of parts and any other condition that may affect the power tool's operation. If damaged, have the power tool repaired before use.** Many accidents are caused by poorly maintained power tools.
6. **Keep cutting tools sharp and clean.** Properly maintained cutting tools with sharp cutting edges are less likely to bind and are easier to control.
7. **Use the power tool, accessories and tool bits etc. in accordance with these instructions, taking into account the working conditions and the work to be performed.** Use of the power tool for operations different from those intended could result in a hazardous situation.

8. **Keep handles and grasping surfaces dry, clean and free from oil and grease.** Slippery handles and grasping surfaces do not allow for safe handling and control of the tool in unexpected situations.
9. **When using the tool, do not wear cloth work gloves which may be entangled.** The entanglement of cloth work gloves in the moving parts may result in personal injury.

#### **Battery tool use and care**

1. **Recharge only with the charger specified by the manufacturer.** A charger that is suitable for one type of battery pack may create a risk of fire when used with another battery pack.
2. **Use power tools only with specifically designated battery packs.** Use of any other battery packs may create a risk of injury and fire.
3. **When battery pack is not in use, keep it away from other metal objects, like paper clips, coins, keys, nails, screws or other small metal objects, that can make a connection from one terminal to another.** Shorting the battery terminals together may cause burns or a fire.
4. **Under abusive conditions, liquid may be ejected from the battery; avoid contact. If contact accidentally occurs, flush with water. If liquid contacts eyes, additionally seek medical help.** Liquid ejected from the battery may cause irritation or burns.
5. **Do not use a battery pack or tool that is damaged or modified.** Damaged or modified batteries may exhibit unpredictable behaviour resulting in fire, explosion or risk of injury.
6. **Do not expose a battery pack or tool to fire or excessive temperature.** Exposure to fire or temperature above 130 °C may cause explosion.
7. **Follow all charging instructions and do not charge the battery pack or tool outside the temperature range specified in the instructions.** Charging improperly or at temperatures outside the specified range may damage the battery and increase the risk of fire.

#### **Service**

1. **Have your power tool serviced by a qualified repair person using only identical replacement parts.** This will ensure that the safety of the power tool is maintained.
2. **Never service damaged battery packs.** Service of battery packs should only be performed by the manufacturer or authorized service providers.
3. **Follow instruction for lubricating and changing accessories.**

# CORDLESS STEEL ROD CUTTER

## SAFETY WARNINGS

1. **Hold the tool securely while it is in use.** If the tool is not held securely, you may be injured.
2. **Keep your hands and face away from the moving parts.** They may cause an injury.
3. **Release the Switch trigger immediately to stop operation when the tool is out of order or makes an abnormal sound during use. Have it inspected and repaired by an authorized service center.** Failure to do so may result in damage or injury.
4. **If you drop or strike the tool, check carefully that the body is not damaged, cracked, or deformed.** Any such damage could cause injury.
5. **This tool is an electro-hydraulic tool. The oil reservoir was filled before delivery. Do not add oil unless the tool operates abnormally.**
6. **Metal cutting blades have sharp edges.** Handle them carefully to avoid being cut.
7. **Damaged, deformed or cracked blades may cause serious accidents as well as impair operation.** Replace with new genuine blades immediately.

## SAVE THESE INSTRUCTIONS.

**⚠ WARNING:**  
**DO NOT let comfort or familiarity with product (gained from repeated use) replace strict adherence to safety rules for the subject product. MISUSE or failure to follow the safety rules stated in this instruction manual may cause serious personal injury.**

## Important safety instructions for battery cartridge

1. **Before using battery cartridge, read all instructions and cautionary markings on (1) battery charger, (2) battery, and (3) product using battery.**
2. **Do not disassemble battery cartridge.**
3. **If operating time has become excessively shorter, stop operating immediately. It may result in a risk of overheating, possible burns and even an explosion.**
4. **If electrolyte gets into your eyes, rinse them out with clear water and seek medical attention right away. It may result in loss of your eyesight.**
5. **Do not short the battery cartridge:**
  - (1) **Do not touch the terminals with any conductive material.**
  - (2) **Avoid storing battery cartridge in a container with other metal objects such as nails, coins, etc.**
  - (3) **Do not expose battery cartridge to water or rain.**

**A battery short can cause a large current flow, overheating, possible burns and even a breakdown.**

6. **Do not store the tool and battery cartridge in locations where the temperature may reach or exceed 50 °C (122 °F).**

7. **Do not incinerate the battery cartridge even if it is severely damaged or is completely worn out. The battery cartridge can explode in a fire.**
8. **Be careful not to drop or strike battery.**
9. **Do not use a damaged battery.**
10. **The contained lithium-ion batteries are subject to the Dangerous Goods Legislation requirements.** For commercial transports e.g. by third parties, forwarding agents, special requirement on packaging and labeling must be observed.  
For preparation of the item being shipped, consulting an expert for hazardous material is required. Please also observe possibly more detailed national regulations.  
Tape or mask off open contacts and pack up the battery in such a manner that it cannot move around in the packaging.
11. **Follow your local regulations relating to disposal of battery.**
12. **Use the batteries only with the products specified by Makita.** Installing the batteries to non-compliant products may result in a fire, excessive heat, explosion, or leak of electrolyte.

## SAVE THESE INSTRUCTIONS.

**⚠ CAUTION:** Only use genuine Makita batteries. Use of non-genuine Makita batteries, or batteries that have been altered, may result in the battery bursting causing fires, personal injury and damage. It will also void the Makita warranty for the Makita tool and charger.

## Tips for maintaining maximum battery life

1. **Charge the battery cartridge before completely discharged. Always stop tool operation and charge the battery cartridge when you notice less tool power.**
2. **Never recharge a fully charged battery cartridge. Overcharging shortens the battery service life.**
3. **Charge the battery cartridge with room temperature at 10 °C - 40 °C (50 °F - 104 °F). Let a hot battery cartridge cool down before charging it.**
4. **Charge the battery cartridge if you do not use it for a long period (more than six months).**

## FUNCTIONAL DESCRIPTION

- ⚠ CAUTION:**
- Always be sure that the tool is switched off and the battery cartridge is removed before adjusting or checking function on the tool.

## Installing or removing battery cartridge (Fig. 1)

- ⚠ CAUTION:**
- Always switch off the tool before installing or removing of the battery cartridge.
  - **Hold the tool and the battery cartridge firmly when installing or removing battery cartridge.** Failure to hold the tool and the battery cartridge firmly may cause them to slip off your hands and result in damage to the tool and battery cartridge and a personal injury.

To remove the battery cartridge, slide it from the tool while sliding the button on the front of the cartridge.

To install the battery cartridge, align the tongue on the battery cartridge with the groove in the housing and slip it into place. Insert it all the way until it locks in place with a little click. If you can see the red indicator on the upper side of the button, it is not locked completely.

**⚠ CAUTION:**

- Always install the battery cartridge fully until the red indicator cannot be seen. If not, it may accidentally fall out of the tool, causing injury to you or someone around you.
- Do not install the battery cartridge forcibly. If the cartridge does not slide in easily, it is not being inserted correctly.

**Battery protection system (Lithium-ion battery with star marking) (Fig. 2)**

Lithium-ion batteries with a star marking are equipped with a protection system. This system automatically cuts off power to the tool to extend battery life.




The tool will automatically stop during operation if the tool and/or battery are placed under one of the following conditions:

- **Overloaded:**  
The tool is operated in a manner that causes it to draw an abnormally high current.  
In this situation, release the switch trigger on the tool and stop the application that caused the tool to become overloaded. Then pull the switch trigger again to restart.  
If the tool does not start, the battery is overheated. In this situation, let the battery cool before pulling the switch trigger again.
- **Low battery voltage:**  
The remaining battery capacity is too low and the tool will not operate. In this situation, remove and recharge the battery.

**Indicating the remaining battery capacity (Fig. 3)**

(Country specific)

When you pull the switch trigger, the LED display shows the remaining battery capacity as the following table.

LED indicator status	Remaining battery capacity
	About 50% or more
	About 20% - 50%
	About less than 20%

**NOTE:**

- The LED display goes off approximately one minute after releasing the switch trigger to save the battery power. To check the remaining battery capacity, slightly pull the switch trigger.

- When the LED display lights up but the tool does not work even with a recharged battery cartridge, cool down the tool fully. If the condition does not change, have the tool repaired by a Makita local service center.

**OPERATING PROCEDURE**

Read, understand and follow all safety instructions and operating procedures. If you do not understand the instructions, or if conditions are not correct for proper operation, do not operate this tool. Consult your supervisor or other responsible person.

**⚠ WARNING:**

- Before the Battery is inserted into the tool, pull and release the switch trigger to ensure that it returns when released.

The motor is on when the switch trigger is pulled and off when the switch trigger is released.

**Switch Lock Operation (Fig. 4)**

- Push in the Switch Lock on side A. The Switch is unlocked and the Trigger can be operated.
- Push in the Switch Lock on side B. The Switch is locked and the Trigger cannot be operated.

**⚠ CAUTION:**

- The switch trigger should be locked at all times when not in use.

**⚠ WARNING:**

- Before operation, confirm that the position of the operator, relative to the tool, and the surrounding area is safe for operation. Put on safety glasses and wear protective clothing.
- Refer to the tool specifications in this manual and do not cut rebar of size or hardness that exceeds the cutting capacity of the tool.
- Do not cut material other than rebar. Please ask the manufacturer if you want to cut other materials.

**⚠ WARNING:**

- Replace damaged (chipped, broken, cracked) or deformed blades immediately. The blade will not cut true and may fracture or break causing serious personal injury.

**Cutting Procedure**

**⚠ WARNING:**

- **Never use the tool without the protector in place.** Failure to do so can cause serious personal injury. (Fig. 5)
- Protector is an equipment to prevent fragments from being projected towards the operator. It does not prevent a projection to the axial direction of the rebar. Position yourself so that the protector blocks the fragments.
- In some figures the protector is not shown, but it is for showing the inside of the protector. Always use the protector in place.

1. Position the rebar to be cut between the blades. (Fig. 6)

Adjust the Stopper according to the diameter of the rebar to be cut so that the rebar is at 90 degrees to the blades. The Stopper supports the rebar and keeps it perpendicular to the blades when cutting. (Fig. 7)



### **⚠ WARNING:**

- When cutting rebar, adjust the Stopper according to the diameter of the rebar to be cut so that the rebar is at 90 degrees to the blades. Without this adjustment, the cut piece may fly off and cause serious injury to the operator or bystanders. Never fail to check the position of the operator relative to the tool and confirm the safety of the operator and surrounding area.
2. Position the rebar deep enough between the blades so that it does not touch the protector. **(Fig. 8)**

### **⚠ WARNING:**

- If the rebar to be cut is not positioned fully between the blades, the blades will be damaged; the rebar will be ejected violently and may cause serious personal injury.

### **⚠ WARNING:**

- Do not cut rebar when the piece to be cut off is less than 200 mm in length. Cutting shorter length may cause the rebar to fly off during cut and may result in serious personal injury. **(Fig. 9)**

### **⚠ WARNING:**

- Do not cut rebar when it is not properly supported by the Stopper. When cutting, hold the rebar on the Stopper side. **(Fig. 10, 11)** If not, the cut piece may fly off and cause serious injury to the operator or bystanders.
3. Push in the Switch Lock on Side A. The switch is unlocked and the trigger can be operated.
  4. Press the switch trigger to start cutting operation. The Cutter Rod will move forward to cut the rebar. Keep the Switch depressed until the Cutter Rod stops at the end of its stroke.
  5. Release the switch trigger when the cut is completed and the Cutter Rod has reached the end of its stroke. The Cutter Rod will then return automatically to its starting position. The Cutter Rod will not return if the stroke is not completed. Similarly the Cutter Rod will not be able to move forward again until after it returns completely to its starting position. Press the switch to start the next cut, only after the Cutter Rod completely returns to its starting position and stops.

### **⚠ WARNING:**

- When cutting rebar of a high tensile strength the cut piece may fly off and cause serious injury to the operator. Wear safety glasses and confirm that the surrounding area is safe before starting operation.

### **⚠ WARNING:**

- Keep your hands and face away from the blades, the moving parts and the cutting area, during operation. Remove the Battery from the tool immediately after use.

### **NOTE:**

- If the temperature of the tool housing exceeds 70°C (160°F), the tool capacity decreases. In such a case, stop the use and allow the tool to cool down.

### **NOTE:**

- Keep the air hole in the end of the Bar Holder clear of dirt and debris. The air hole controls the internal pressure and should not be obstructed. **(Fig. 12)**

## **Rotating Function of Motor (Fig. 13)**

The Motor Body can be rotated through 360 degrees, in either direction, during operation. This feature is particularly useful when working in awkward or narrow areas as it allows the operator to position the tool in the best position for easy operation.

## **Return Valve Operation (Fig. 14)**

The function of the Return Valve is to allow the Cutter Rod to return to the starting position if it is unable complete a cut or becomes jammed. Loosening the return valve half turn will release the oil pressure and allow the Cutter Rod to return. Retighten the Return Valve once the Cutter Rod is fully returned and before starting the next operation.

## **BLADES REPLACEMENT PROCEDURE**

If the cutting edges of the blades are chipped, cracked, deformed, or damaged in any way, their cutting ability will be reduced. Cutting under such conditions may cause further damage and result in personal injury. The blades should be replaced as a set immediately if any damage is found.

### **⚠ WARNING:**

- When replacing the blades, ensure that the Battery is removed from the tool to prevent accidental operation. Ensure that Blade A, on the Bar Holder and Blade B, on the Cutter Rod are fitted in their correct respective positions. **(Fig. 15)**

1. Undo the bolts and the washers that hold Blade A and Blade B.
2. Remove dirt and clean the surfaces where the new blades are to be fitted.
3. Fit Blade A to the Bar Holder and Blade B to the Cutter Rod. Replace bolts and washers and tighten firmly.

### **⚠ WARNING:**

- The bolts that hold Blade A and Blade B should be tightened regularly. If the bolts become loose the Blades may be damaged and may cause personal injury.

## Type of spare blade and detachment (Fig. 16)

Securing bolts should be firmly tightened.

Confirm periodically that the blade is tightened properly.

Spare blade size

● Use this table to identify the correct blades for your model.

Model	A (Fitted to Bar Holder)	B (Fitted to Cutter Rod)
DSC163 (ø3 - ø16)	22 × 17 × 9 mm (Bolt Size 5 mm)	22 × 17 × 8 mm (Bolt Size 5 mm)

### NOTE:

- Use only genuine Makita blades.

## ADDING OIL

This Cordless Steel Rod Cutter is electro-hydraulic. When shipped from the factory, it was filled with oil. Do not attempt to add oil as long as the tool performs well. Over a period of time the oil level will gradually go down. Eventually this will cause a noticeable dropping off in performance. When this happens add oil as follows.

1. Place some rebar between the blades and pull the switch trigger.
2. Release the switch trigger just before the cut is completed to stop the tool.
3. Remove the Battery from the tool, so that the Blades cannot be moved accidentally.
4. Remove the Bolt (SB10x15) which caps the oil filler hole. Add the oil, being careful not to allow any oil to spill into the motor.
5. Replace the Bolt (SB10x15) and tighten securely.
6. Reinsert the Battery into the tool and complete the cutting operation.
7. Repeat the above procedure several times until the oil level remains correct.

### CAUTION:

- Only pure hydraulic oil as recommended by Makita should be used in this tool. Recommended oils include the Makita supplied hydraulic oil, Super Hyrando #46 (JX Nippon Oil & Energy Corp.); Shell Tellus Plus #46 (U.S. Shell); or equivalent spec anti-wear hydraulic oil, ISO Viscosity Grade 46. Do not use other oils as these may cause damage to the seals and other internal machine parts.

# TROUBLE SHOOTING

## **WARNING:**

- Remove battery before working on machine.

PROBLEM	CAUSE	SOLUTION
Cutter Rod will not extend.	Insufficient oil	Top up oil. (Refer to "Adding Oil")
	Cutter Rod has not returned completely due to build up of debris between Cutter Rod and Bar Holder.	Manually push back Cutter Rod. Remove debris and clean
	Cutter Rod has not returned completely due to damage to the Cutter Rod.	Replace Cutter Rod.
	Cutter Rod has not returned completely due to loose or damaged Blades.	Tighten Blade bolts. Replace Blades
	Cutter Rod has not returned completely due to weak Return spring.	Replace Return spring.
Insufficient power to cut rebar.	Insufficient oil.	Top up oil. (Refer to "Adding Oil")
	Return Valve not properly seated or seating damaged.	Clean tip of Return Valve and Seating. Remove any scratched from seating.
	Return Valve, damaged.	Replace.
	Incorrect clearance between Cylinder and Piston.	Replace Piston (Note: different size pistons available)
	Check Valve, not properly seated or seating damaged.	Clean Check Valve and seating. Replace.
Urethane packing, damaged or broken.	Replace.	
Oil leaks.	Oil leveller Bladder, damaged or broken.	Replace.
	Cutter Rod/ Bar Holder, O-Ring damaged; Rod/Bar Holder, surface scratched or grooved.	Replace Back-Up Ring and O-ring. Replace Cutter Rod/Bar Holder
	Cylinder/Bar Holder, O-Ring damaged	Replace O-ring.
	Cylinder/Pump Case, Gasket damaged.	Replace liner B.
	Bar Holder/Cylinder/Pump Case, flange bolts loose.	Tighten bolts.
Motor not moving. Motor slow or erratic.	Voltage incorrect.	Charge Battery.
	Battery at end of working life.	Replace Battery.
	DC Motor damaged by over-heating.	Replace DC Motor.
	DC Motor bearings or gear damaged or broken.	Replace bearings or gear.

## **NOTE:**

- The internal components of the pump and piston area have very close tolerances and are sensitive to damage from dust, dirt, contamination of the hydraulic fluid or improper handling. The disassembly of the pump housing requires special tools and training, and should only be attempted by qualified repair personnel that have been properly trained and have the right tools. The improper servicing of electrical components can lead to conditions that could cause serious injury. The pump, piston components and all electrical parts should be serviced only by authorized repair shop, dealer or distributor.

# MAINTENANCE

## CAUTION:

- Always be sure that the tool is switched off and the battery cartridge is removed before attempting to perform inspection or maintenance.
  - Never use gasoline, benzine, thinner, alcohol or the like. Discoloration, deformation or cracks may result.
- To maintain product SAFETY and RELIABILITY, repairs, any other maintenance or adjustment should be performed by Makita Authorized Service Centers, always using Makita replacement parts.

# OPTIONAL ACCESSORIES

## CAUTION:

- These accessories or attachments are recommended for use with your Makita tool specified in this manual. The use of any other accessories or attachments might present a risk of injury to persons. Only use accessory or attachment for its stated purpose.

If you need any assistance for more details regarding these accessories, ask your local Makita Service Center.

- Makita genuine battery and charger

## NOTE:

- Some items in the list may be included in the tool package as standard accessories. They may differ from country to country.

**Förklaring till översiktstillbilderna**

- |                    |                            |                            |
|--------------------|----------------------------|----------------------------|
| 1. Röd indikator   | 10. Skydd                  | 19. Blad B (tunnare blad)  |
| 2. Knapp           | 11. Armeringsjärn          | 20. Bult (långre)          |
| 3. Batterikassett  | 12. Blad                   | 21. Bult (kortare)         |
| 4. Stjärnmarkering | 13. Stoppanordning         | 22. Bricka                 |
| 5. LED-indikator   | 14. Mer än 200 mm          | 23. Stånghållare           |
| 6. Avtryckarlås    | 15. Lufthål                | 24. Skärstång              |
| 7. Avtryckare      | 16. Insexnyckel            | 25. Blad A på stånghållare |
| 8. Sida A          | 17. Backventil             | 26. Blad B på skärstång    |
| 9. Sida B          | 18. Blad A (tjockare blad) | 27. Reservblad             |

**SPECIFIKATIONER**

Modell	DSC163
Max. kapningskapacitet (dia. mm)	16 mm
Klass 40 - Klass 60	
Klass 40: Brottgräns 490 N/mm <sup>2</sup> 70 000 PSI	
Klass 60: Brottgräns 620 N/mm <sup>2</sup> 90 000 PSI	
Skärhastighet	2,8 sekunder
Total längd	360 mm
Nettovikt	6,9 kg
Märkspänning	18V likström

- På grund av vårt pågående program för forskning och utveckling kan dessa specifikationer ändras utan föregående meddelande.
- Specifikationer och batterikassett kan variera från land till land.
- Vikt med batterikassett i enlighet med EPTA-procedur 01/2014

**Tillgänglig batterikassett**

BL1830 / BL1830B / BL1840 / BL1840B / BL1850 / BL1850B / BL1860B

- Vissa av batterikassetterna på listan ovan kanske inte finns tillgängliga i din region.

**⚠ VARNING:**

- **Använd endast batterikassetter från listan ovan.** Användning av andra batterikassetter kan orsaka personskada och/eller brand.

**Symboler**

Följande visar symbolerna som används för utrustningen. Se till att du förstår innebörden innan du använder bormaskinen.



..... Läs igenom bruksanvisningen.



..... Gäller endast inom EU  
Elektrisk utrustning eller batteripaket får inte kastas i hushållsavfallet!  
Enligt EU-direktiven som avser förbrukad elektrisk och elektronisk utrustning, batterier, ackumulatorer, förbrukade batterier och ackumulatorer, samt direktivens tillämpning enligt nationell lagstiftning, ska uttjänt elektrisk utrustning, batterier och batteripaket sorteras separat och lämnas till miljövänlig återvinning.

**Avsedd användning**

Maskinen är avsedd för sågning av armeringsjärn.

**Buller**

Den normala bullernivån för A-belastning är bestämd enligt EN60745-1:

Ljudtrycksnivå (LpA): 78 dB (A)

Mättolerans (K): 3 dB (A)

Bullernivån vid arbete kan överstiga 80 dB (A).

**Använd hörselskydd**

**Vibration**

Det totala vibrationsvärdet (treaxlig vektorsumma) bestämt enligt EN60745-1:

Arbetsläge: såga armeringsjärn

Vibrationsemission ( $a_{h1}$ ): 2,5 m/s<sup>2</sup> eller lägre

Mättolerans (K): 1,5 m/s<sup>2</sup>

- Det deklarerade vibrationsvärdet har uppmätts i enlighet med standardtestmetoden och kan användas för att jämföra en maskin med en annan.

- Det deklarerade vibrationsemissionsvärdet kan också användas i en preliminär bedömning av exponering för vibration.

#### **⚠ VARNING:**

- Vibrationsemissionen under faktisk användning av maskinen kan skilja sig från det deklarerade emissionsvärdet, beroende på hur maskinen används.
- Var noga med att identifiera säkerhetsåtgärder för att skydda användaren, vilka är grundade på en uppskattning av graden av exponering för vibrationer under de faktiska användningsförhållandena, (ta, förutom avtryckartiden, med alla delar av användarcykeln i beräkningen, som till exempel tiden då maskinen är avstängd och när den går på tomgång).

## **EG-försäkran om överensstämmelse**

### **Gäller endast inom EU**

EG-försäkran om överensstämmelse inkluderas som bilaga A till denna bruksanvisning.

## **Allmänna säkerhetsvarningar för maskiner**

**⚠ VARNING: Läs alla säkerhetsvarningar, anvisningar, illustrationer och specifikationer som medföljer det här maskinen.** Underlåtenhet att följa instruktionerna kan leda till elstöt, brand och/eller allvarliga personskador.

## **Spara alla varningar och instruktioner för framtida referens.**

Termen "maskin" som anges i varningarna hänvisar till din eldrivna maskin (sladdansluten) eller batteridrivna maskin (sladdlös).

### **Säkerhet på arbetsplatsen**

1. **Se till att arbetsområdet är rent och har bra belysning.** Arbetsområden med skräp eller dålig belysning kan leda till olyckor.
2. **Använd inte maskinen i explosiva områden, som till exempel i närheten av lättantändliga vätskor, gaser eller damm.** Maskinen skapar gnistor som kan antända dammet eller ångorna.
3. **Barn och andra obehöriga bör hållas på avstånd när du använder maskinen.** Om du blir distraherad kan du förlora kontrollen över verktyget.

### **Elsäkerhet**

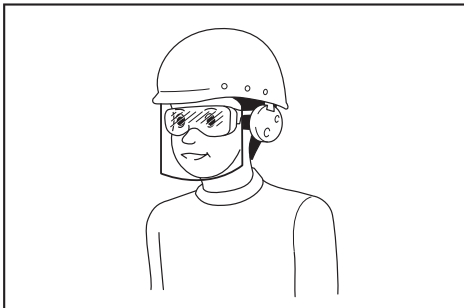
1. **Maskinens stickkontakt måste passa i uttaget. Modifiera inte kontakten på något sätt. Använd inte adaptrar tillsammans med jordade maskiner.** När stickkontakt och uttag är avpassade för varandra minskar risken för elstöt.
2. **Undvik kroppskontakt med jordade ytor som till exempel rör, element, spisar och kylskåp.** Det finns en ökad risk för elstöt om din kropp är jordad.

3. **Utsätt inte maskinen för regn eller väta.** Vatten inuti maskinen ökar risken för elstöt.
4. **Var försiktig med sladden. Använd aldrig sladden när du bär, drar eller kopplar ur maskinen ur vägguttaget. Håll sladden borta från värme, olja, vassa kanter eller rörliga delar.** Skadad eller intrasslad sladd ökar risken för elstöt.
5. **Använd endast särskilda förlängningssladdar avsedda för utomhusbruk vid arbete utomhus.** Om en sladd för utomhusbruk används minskar risken för elstöt.
6. **Om maskinen måste användas på fuktiga platser, använd strömmatning via jordfelsbrytare.** Användning av en jordfelsbrytare minskar risken för elstöt.
7. **Elverktyg kan alstra elektromagnetiska fält (EMF) som inte är skadliga för användaren.** Däremot bör personer med pacemakar och andra liknande medicinska enheter kontakta tillverkaren av enheten och/eller läkare om råd innan de använder detta elverktyg.

### **Personskydd**

1. **Var hela tiden vaksam, koncentrera dig på det du gör och använd sunt förnuft när du använder maskinen.** Använd inte maskinen när du är trött eller påverkad av alkohol eller mediciner. Ett ögonblicks ouppmärksamhet kan resultera i allvarliga personskador.
2. **Använd personlig säkerhetsutrustning. Använd alltid skyddsglasögon.** Användning av skyddsutrustning, som till exempel dammask, halkfria skor, skyddshjälm och hörselskydd, under lämpliga förhållanden minskar risken för personskador.
3. **Förhindra oavsiktlig start. Säkerställ att avtryckaren är i avstängt läge innan maskinen ansluts till elnätet och/eller till batteriet, plockas upp eller transporteras.** Att bära maskinen med fingrarna på avtryckaren eller förse maskinen med ström när avtryckaren är intryckt inbjuder till olyckor.
4. **Ta bort inställningsnycklar och andra verktyg innan maskinen startas.** En inställningsnyckel eller annat verktyg som sitter på en roterande del av maskinen kan resultera i personskador.
5. **Översträck inte. Stå alltid stabilt och ha god balans hela tiden.** På så vis får du bättre kontroll över maskinen i oväntade situationer.
6. **Klä dig rätt. Bär inte löst sittande kläder eller smycken. Håll hår och kläder borta från rörliga delar.** Löst sittande kläder, smycken eller långt hår kan fastna i rörliga delar.
7. **Om utrustning för dammutsugning tillhandahålls ska du tillse att denna utrustning är ansluten och används på rätt sätt.** Användning av dammuppsamling kan minska dammrelaterade risker.
8. **Låt inte vana av frekvent användning av maskiner låta dig bli likgiltig och ignorera maskinernas säkerhetsföreskrifter.** En oförsiktig användning kan på ett ögonblick leda till allvarliga skador.

9. Bär alltid skyddsglasögon för att skydda dina ögon från skada när du använder e-verktyg. Skyddsglasögonen måste uppfylla ANSI Z87.1 i USA, EN 166 i Europa, eller AS/NZS 1336 i Australien/Nya Zeeland. I Australien/Nya Zeeland måste man enligt lag även bära ansiktsskydd för att skydda ansiktet.



Det är arbetsgivarens ansvar att se till att användare och övriga personer i det omedelbara arbetsområdet använder lämplig skyddsutrustning.

#### Användning och underhåll av maskinen

1. Använd inte maskinen utanför dess begränsningar. Välj rätt maskin för arbetsuppgiften. En maskin som används på avsett sätt gör jobbet bättre och säkrare.
2. Använd inte maskinen om den inte går att starta eller stänga av med avtryckaren. Maskiner som inte går att manövrera via avtryckaren är riskabla att använda och måste repareras.
3. Dra ur kontakten ur vägguttaget och/eller ta ur batteriet (om löstagbart) ur maskinen innan du ändrar inställningar, byter tillbehör eller förvarar maskinen. Genom denna förebyggande säkerhetsåtgärd elimineras risken för att maskinen startas oavsiktligt.
4. Förvara maskiner som inte används utom räckhåll för barn. Låt inte personer som är ovana vid maskinen, eller obekanta med denna bruksanvisning, använda maskinen. Maskinen är ett farligt redskap i händerna på en ovan användare.
5. Underhåll maskiner och tillbehör. Kontrollera om det finns misspassningar, skador eller annat som kan påverka maskinens drift. Kontrollera också att alla rörliga delar kan röra sig fritt. Om maskinen är skadad, se till att få den reparerad före användning. Många olyckor orsakas av dåligt underhållna maskiner.
6. Se till att skärverktyg hålls rena och skarpa. Ett välvårdat skärverktyg med vass egg är både lättare och säkrare att manövrera.
7. Använd maskinen, tillbehör och verktygsdelar etc. i enlighet med dessa instruktioner, med hänsyn till arbetsförhållanden och till det arbete som ska utföras. Användning av maskin för annat arbete än vad den är avsedd för kan leda till en farlig situation.
8. Håll handtagen och greppytor torra, rena och fria från olja och smuts. Håll handtag och greppytor fria från olja och smuts. Håll handtag och greppytor fria från olja och smuts. Håll handtag och greppytor fria från olja och smuts. Håll handtag och greppytor fria från olja och smuts. Håll handtag och greppytor fria från olja och smuts. Håll handtag och greppytor fria från olja och smuts.

9. Använd inte arbetshandskar som kan trassla in sig i maskinen när du använder den. Om arbetshandskar trasslar in sig i rörliga delar kan det leda till personskada.

#### Användning och underhåll av batteri

1. Ladda endast med den batteriladdare som angetts av tillverkaren. En laddare som passar en viss typ av batterier kan skapa risk för brand när den används tillsammans med annat batteri.
2. Använd endast maskiner tillsammans med tillhörande batterier. Om andra batterier används kan risken för personskada och brand öka.
3. När batteriet inte används bör det hållas borta från andra metallföremål som till exempel gem, mynt, nycklar, spik, skruv eller andra små metallföremål som kan skapa anslutning från en terminal till en annan. Kortslutning av batteripolerna kan orsaka brännskador eller brand.
4. Under hårda förhållande kan det komma vätska ur batteriet. Undvik kontakt. Spola med vatten om kontakt ändå råkar uppstå. Om vätska kommer i kontakt med ögonen bör läkare uppsökas. Vätska från batteriet kan orsaka irritation på huden eller ge brännskador.
5. Använd inte ett batteripaket eller maskin som är skadat eller ändrat. Skadade eller ändrade batterier kan uppföra sig opålitligt, vilket kan leda till brand, explosion eller skaderisk.
6. Utsätt inte batteripaket eller maskiner för brand eller höga temperaturer. Exponering för brand eller temperaturer över 130 °C kan leda till explosion.
7. Följ alla laddningsinstruktioner och ladda inte batteripaketet eller maskinen utanför det temperaturintervall som anges i instruktionerna. Felaktig laddning, eller vid temperaturer utanför det angivna intervallet, kan skada batteriet och öka risken för brand.

#### Service

1. Lämna maskinen till en auktoriserad verkstad för service och underhåll med originalreservdelar. Detta garanterar fortsatt säker användning av maskinen.
2. Utför aldrig service av skadade batteripaket. Service av skadade batteripaket får endast utföras av tillverkaren eller auktoriserade serviceleverantörer.
3. Följ instruktionerna för smörjning och byte av tillbehör.

## SÄKERHETSVARNINGAR FÖR SLADDLÖS STÅLSTÅNGSKAPARE

1. Håll maskinen stadigt vid användning. Om maskinen inte hålls stadigt kan du skadas.
2. Håll dina händer och ditt ansikte på avstånd från rörliga delar. De kan orsaka skador.
3. Släpp avtryckaren omedelbart för att stanna maskinen när den inte fungerar eller gör ett onormalt ljud vid användning. Låt inspektera och reparera den av ett auktoriserat servicecenter. Om du inte gör det kan det leda till allvarig skada eller personskador.

- Om du tappar eller träffar maskinen ska den kontrolleras nog så att den inte är skadad, sprucken eller deformerad. Dylig skada kan orsaka skada.
- Denna maskin är el-hydraulisk. Oljebehållaren fylldes före leverans. Fyll inte på olja innan maskinen fungerar onormalt.
- Skärblad av metall har vassa kanter. Hantera dem försiktigt för att undvika skårar.
- Skadade, deformerad eller spruckna blad kan orsaka allvarliga olyckor samt försämrar funktionen. Byt ut mot nya blad omedelbart.
- De medföljande litiumjonbatterierna är föremål för kraven i gällande lagstiftning för farligt gods. För kommersiella transporter (av t.ex. tredje parter som speditorsfirmor) måste de särskilda transportkrav som anges på emballaget och etiketter iakttagas. För att förbereda den produkt som ska avsändas krävs att du konsulterar en expert på riskmaterial. Var också uppmärksam på att det i ditt land kan finnas ytterligare föreskrifter att följa. Tejpa över eller maskera blottade kontakter och packa batteriet på sådant sätt att det inte kan röra sig fritt i förpackningen.

## SPARA DESSA ANVISNINGAR.

### ⚠ VARNING:

GLÖM INTE att också fortsättningsvis strikt följa säkerhetsanvisningarna för maskinen även efter att du blivit van att använda den. Vid FELAKTIG HANTERING av maskinen eller om inte säkerhetsanvisningarna i denna bruksanvisning följs kan följden bli allvarliga personskador.

## Viktiga säkerhetsanvisningar för batterikassetten

- Innan batterikassetten används ska alla instruktioner och varningsmärken på (1) batteriladdaren, (2) batteriet och (3) produkten läsas.
- Montera inte isär batterikassetten.
- Om drifttiden blivit avsevärt kortare ska användningen avbrytas omedelbart. Det kan uppstå överhettning, brännskador och t o m en explosion.
- Om du får elektrolyt i ögonen ska de sköljas med rent vatten och läkare uppsökas omedelbart. Det finns risk för att synen förloras.
- Kortslut inte batterikassetten.
  - Rör inte vid polerna med något strömförande material.
  - Undvik att förvara batterikassetten tillsammans med andra metallobjekt som t.ex. spikar, mynt o.s.v.
  - Skydda batteriet mot vatten och regn. En batterikortslutning kan orsaka ett stort strömflöde, överhettning, brand och maskinhaveri.
- Förvara inte maskinen och batterikassetten på platser där temperaturen kan nå eller överstiga 50 °C.
- Bränn inte upp batterikassetten även om den är svårt skadad eller helt utsliten. Batterikassetten kan explodera i öppen eld.
- Var försiktig så att du inte råkar tappa batteriet och utsätt det inte för stötar.
- Använd inte ett skadat batteri.

- Följ lokala föreskrifter beträffande avfallshantering av batteriet.

- Använd endast batterierna med de produkter som specificerats av Makita. Att använda batterierna med ej godkända produkter kan leda till brand, överdriven värme, explosion eller utläckande elektrolyt.

## SPARA DESSA ANVISNINGAR.

⚠ FÖRSIKTIGT: Använda endast äkta Makita-batterier. Användning av oäkta Makita-batterier eller batterier som har manipulerats kan leda till person- och utrustningsskador eller till att batteriet fattar eld. Det upphäver också Makitas garanti för verktyget och laddaren.

### Tips för att uppnå batteriets maximala livslängd

- Ladda batterikassetten innan den är helt urladdad. Stanna alltid maskinen och ladda batterikassetten när du märker att maskinen blir svagare.
- Ladda aldrig en fulladdad batterikasset. Överladdning förkortar batteriets livslängd.
- Ladda batterikassetten vid en rumstemperatur på 10 °C - 40 °C. Låt en varm batterikasset svalna innan den laddas.
- Ladda batterikassetten om du inte har använt den på länge (mer än sex månader).

## FUNKTIONSBESKRIVNING

### ⚠ FÖRSIKTIGT:

- Se alltid till att maskinen är avstängd och batterikassetten borttagen innan du justerar maskinen eller kontrollerar dess funktioner.

### Montera eller demontera batterikassetten (Fig. 1)

#### ⚠ FÖRSIKTIGT:

- Stäng alltid av maskinen innan du monterar eller tar bort batterikassetten.
- Håll stadigt i maskinen och batterikassetten när du monterar eller tar bort batterikassetten. I annat fall kan det leda till att de glider ur dina händer och orsakar skada på maskinen och batterikassetten samt personskada.

Ta bort batterikassetten genom att skjuta ner knappen på kassetten framsida samtidigt som du drar ut batterikassetten.



Sätt i batterikassetten genom att rikta in tungan på batterikassetten mot spåret i höljet och skjut den på plats. Tryck in batterikassetten ordentligt tills den låser fast med ett klick. Om du kan se den röda indikatorn på knappens ovansida är den inte låst ordentligt.

### ⚠ FÖRSIKTIGT:

- Sätt alltid i batterikassetten helt tills den röda indikatorn inte längre syns. I annat fall kan den plötsligt lossna från maskinen och skada dig eller någon annan.
- Montera inte batterikassetten med våld. Om kassetten inte lätt glider på plats är den felaktigt insatt.

## Batteriskyddssystem (litium-ion-batteri med stjärnmarkering) (Fig. 2)

Litium-ion-batterier med en stjärnmarkering är utrustade med ett skyddssystem. Detta system bryter automatiskt strömmen till maskinen för att förlänga batteriets livslängd.




Maskinen stoppas automatiskt under pågående användning om någon av följande situationer uppstår:

- Överbelastning:
  - Maskinen används på ett sätt som gör att den förbrukar onormalt mycket ström.
  - I detta läge ska du släppa maskinens avtryckare och avbryta arbetet som ledde till att maskinen blev överbelastad. Tryck sedan in avtryckaren igen för att starta om.
  - Om maskinen inte startar är batteriet överhettat. Låt då batteriet svalna innan du trycker in avtryckaren igen.
- Batterispänningen faller:
  - Den kvarvarande batterikapaciteten är för låg och maskinen fungerar inte. I detta läge tar du bort batteriet och laddar det.

## Indikerar resterande batterikapacitet (Fig. 3)

(Landsspecifik)

När avtryckaren aktiveras visar LED-skärmen resterande batterikapacitet enligt följande tabell.

Status för diodindikator (LED)	Återstående batterikapacitet
	Ungefär 50% eller mer
	Ungefär 20% - 50%
	Ungefär mindre än 20%

### ANM.:

- LED-skärmen släcks ungefär en minut efter det att avtryckaren har släppts, för att spara batteriladdning. Tryck in avtryckaren lätt för att kontrollera kvarvarande batterikapacitet.
- Om maskinen inte fungerar trots att LED-skärmen tänds och batterikassetten är laddad, ska du låta maskinen svalna helt. Om maskinen fortfarande inte fungerar ska du låta den repareras av ett lokalt servicecenter för Makita.

## ARBETSSÄTT

Läs, förstå och följ alla säkerhets- och arbetssätt. Om du inte förstår instruktionerna, eller om villkoren inte är korrekta för korrekt användning, använd inte denna maskin. Rådfråga din arbetsledare eller annan ansvarig person.

### ⚠ VARNING:

- Innan batteriet sätts in maskinen, dra och släpp avtryckaren för att se till att den går tillbaka när den släpps.

Motorn är på när avtryckaren trycks in och av när avtryckaren släpps.

## Användning av avtryckarlås (Fig. 4)

- Tryck på avtryckarlåset på sida A. Avtryckaren är oläst och avtryckaren kan användas.
- Tryck på avtryckarlåset på sida B. Avtryckaren är låst och avtryckaren kan inte användas.

### ⚠ FÖRSIKTIGT:

- Avtryckaren ska alltid vara låst när den inte används.

### ⚠ VARNING:

- Kontrollera innan användning att användarens position i förhållande till maskinen och omgivningen är säker för användning. Bär skyddsglasögon och skyddskläder.
- Se maskinens specifikationer i denna manual och kapa inte armeringsjärn med en tjocklek eller hårdhet som överskrider maskinens skäreffekt.
- Kapa inte andra material än armeringsjärn. Fråga tillverkaren om du vill kapa andra material.

### ⚠ VARNING:

- Byt ut skadade (kantstötta, brutna, spruckna) eller deformerade blad omedelbart. Bladet kapar inte rent och kan spricka eller gå sönder och orsaka allvarliga personskador.

## Kapningsförfarande

### ⚠ VARNING:

- **Använd aldrig maskinen utan skyddet på plats.** I annat fall kan det orsaka allvarlig personskada. (Fig. 5)
  - Skyddet är en utrustning för att förhindra att fragment slungas mot användaren. Det hindrar inte utslungning i armeringsjärnets axiella riktning. Placera dig så att skyddet blockerar fragment.
  - På vissa bilder visas inte skyddet, men det är för att visa skyddets insida. Använd alltid skyddet.
1. Placera armeringsjärnet mellan bladen. (Fig. 6)
    - Justera stoppet enligt diametern på det armeringsjärn som ska kapas så att armeringsjärnet är vinkelrätt mot bladen. Stoppet stöder armeringsjärnet och håller det vinkelrätt mot bladet när du kapar. (Fig. 7)

### ⚠ VARNING:

- Justera stoppet när du ska kapa armeringsjärn enligt diametern på det armeringsjärn som ska kapas så att armeringsjärnet är vinkelrätt mot bladen. Utan denna justering kan den kapade biten flyga iväg och orsaka allvarliga skador på användaren och åskådare. Glöm aldrig att kontrollera användarens position i förhållande till maskinen och omgivningen.

2. Placera armeringsjärnet djupt nog mellan klingorna så att det inte nuddar skyddet. (Fig. 8)

#### **⚠ VARNING:**

- Om armeringsjärnet som ska kapas inte sitter fullständigt mellan bladen blir bladen skadade; Armeringsjärnet kan slungas iväg med kraft och kan orsaka allvarliga personskador.

#### **⚠ VARNING:**

- Kapa inte armeringsjärn om den bit som ska kapas är kortare än 200 mm. Att kapa kortare bitar kan göra så att armeringsjärnet slungas iväg vid kapning och kan resultera i allvarliga personskador. (Fig. 9)

#### **⚠ VARNING:**

- Kapa inte armeringsjärn om det inte stöds ordentligt av stoppet. Håll armeringsjärnet mot stoppets sida vid kapning. (Fig. 10, 11) Utan denna justering kan den kapade biten flyga iväg och orsaka allvarliga skador på användaren och åskådare.
3. Tryck på avtryckarlåset på sida A. Avtryckaren är oläst och avtryckaren kan användas.
  4. Tryck in avtryckaren för att starta kapning. Skärstängan rör sig framåt för att kapa armeringsjärnet. Håll avtryckaren intryckt tills skärstängan stoppar i slutet av sin slaglängd.
  5. Släpp avtryckaren när kapningen är klar och skärstängan har nått slutet av sin slaglängd. Skärstängan återgår automatiskt till startläget. Skärstängan återgår inte om slaglängden inte är slutförd. Dessutom kan skärstängan inte åka framåt igen förrän efter det återgår helt till sin startposition. Tryck på avtryckaren för att starta nästa kapning, men endast efter skärstängan har återgått till sin startposition.

#### **⚠ VARNING:**

- Vid kapning av armeringsjärn med hög draghållfasthet kan delar flyga iväg och orsaka allvarliga skador på användaren. Bär skyddsglasögon och bekräfta att omgivningen är säker innan du påbörjar arbetet.

#### **⚠ VARNING:**

- Håll händerna och ansiktet borta från bladen, de rörliga delarna och kapområdet vid användning. Ta bort batteriet från maskinen direkt efter användning.

#### **ANM.:**

- Om temperaturen på maskinens hölje överstiger 70 °C minskar maskinens kapacitet. Om så är fallet, stäng av maskinen och låt den svalna.

#### **ANM.:**

- Håll lufthålen i änden av stånghållaren fria från smuts och skräp. Lufthålen styr det inre trycket och får inte blockeras. (Fig. 12)

## **Motorns roterande funktion (Fig. 13)**

Motorhuset kan roteras 360 grader i valfri riktning vid användning. Denna funktionen är särskilt användbar när du arbetar i obekväma eller trånga utrymmen som gör det möjligt för användaren att placera maskinen i bästa läge för enkel användning.

## **Användning av backventil (Fig. 14)**

Backventilens funktion är att låta skärstängan återgå till utgångsläget om den inte kan fullfölja kapningen eller om den fastnar. Om man lossar backventilen ett halvt varv frigörs oljetrycket och låter skärstängan återgå. Dra åt backventilen när skärstängan har återgått fullständigt och innan nästa användning.

## **BLADBYTE**

Om bladets kanter blir kantstöta, spruckna, deformerade eller skadad på något sätt reduceras deras skärförmåga. Kapning under sådana förhållanden kan orsaka ytterligare skada och orsaka personskador. Bladen bör ersättas som en uppsättning omedelbart om någon skada hittas.

#### **⚠ VARNING:**

- Vid byte av blad måste säkerställas att batteriet är borttaget från maskinen för att förhindra oavsiktlig användning.

Se till att blad A, på stånghållaren, och blad B, på skärstängan, är monterade i respektive positioner. (Fig. 15)

1. Lossa skruvarna och brickorna som håller blad A och blad B.
2. Avlägsna smuts och rengör ytorna där nya blad ska monteras.
3. Placera blad A på stånghållaren och blad B på skärstängan. Sätt tillbaka skruvar och brickor och dra åt ordentligt.

#### **⚠ VARNING:**

- Skruvarna som håller fast blad A och blad B bör dras åt regelbundet. Om skruvarna lossnar kan bladen skadas och orsaka personskador.

## Typ av reservblad och fastsättningar (Fig. 16)

Skruvarna ska vara ordentligt åtdragna.

Kontrollera med jämna mellanrum att bladet är ordentligt åtdraget.

Reservbladsstorlek

● Använd denna tabell för att identifiera rätt blad för din modell.

Modell	A (monterad på stånghållare)	B (monterad på skärstång)
DSC163 (ø3 - ø16)	22 × 17 × 9 mm (skruvstorlek 5 mm)	22 × 17 × 8 mm (skruvstorlek 5 mm)

### ANM.:

- Använd endast äkta Makita-blad.

## FYLLA PÅ OLJA

Denna sladdlösa stålstångskaparen är el-hydraulisk. Vid leverans från fabrik är den fylld med olja. Försök inte att fylla på olja så länge maskinen fungerar väl. Oljenivån kommer successivt att sjunka. Detta kan eventuellt leda till en försämrad prestanda. När detta händer, fyll på olja enligt följande.

1. Placera ett armeringsjärn mellan bladen och tryck in avtryckaren.
2. Släpp avtryckaren precis innan kapningen är slutförd för att stoppa maskinen.
3. Ta bort batteriet från maskinen så att bladen inte kan flyttas av misstag.
4. Ta bort skruven (SB10x15) som täcker påfyllningspluggen. Fyll på olja och var försiktig så att olja inte spills i motorn.
5. Sätt tillbaka skruven (SB10x15) och dra åt ordentligt.
6. Sätt tillbaka batteriet i maskinen och slutför kapningen.
7. Upprepa ovanstående procedur flera gånger tills oljenivån är korrekt.

### FÖRSIKTIGT:

- Endast äkta hydraulolja som rekommenderas av Makita får användas i denna maskin. Rekommenderade oljor inkluderar Makitas hydraulolja, Super Hyrando #46 (JX Nippon Oil & Energy Corp.); Shell Tellus Plus #46 (U.S. Shell); eller liknande antislitagehydraulolja, ISO viskositetsklass 46. Använd inte andra oljor eftersom dessa kan orsaka skada på tätningar och andra delar i maskinen.

# FELSÖKNING

## ⚠ VARNING:

- Ta bort batteriet innan du börjar arbeta på maskinen.

PROBLEM	ORSAK	ÅTGÄRD
Skärstängen fälls inte ut.	För lite olja	Fyll på olja. (Se "Fylla på olja")
	Skärstängen har inte återgått fullständig p.g.a. ansamling av skräp mellan skärstängen och stånghållaren.	Tryck tillbaka skärstängen manuellt. Ta bort skräp och rengör
	Skärstängen har inte återgått fullständig p.g.a. skada på skärstängen.	Byt ut skärstängen.
	Skärstängen har inte återgått fullständig p.g.a. lösa eller skadade blad.	Dra åt skruvarna till bladet. Utbyte av blad
	Skärstängen har inte återgått fullständig p.g.a. svag retur fjäder.	Byt ut retur fjäder.
För lite kraft för att kapa armeringsjärn.	För lite olja.	Fyll på olja. (Se "Fylla på olja")
	Backventil sitter ej ordentligt i sätet eller sätet skadat.	Gör rent backventilens spets och säte. Ta bort repor från sätet.
	Backventil, skadad.	Byt ut.
	Fel spel mellan cylinder och kolv.	Byt ut kolven (Anm.: olika storlek på kolvar finns)
	Kontrollera ventil, sitter ej ordentligt i sätet eller sätet skadat.	Gör rent ventilen och sätet. Byt ut.
Uretanpackning, skadade eller trasig.	Byt ut.	
Oljeläckage.	Oljebehållare skadade eller trasig.	Byt ut.
	Skärstång/stånghållare, O-ring skadad; stånghållare, yta repad eller spårig.	Byt ut backupring och O-ring. Byt ut skärstång/stånghållare
	Cylinder/stånghållare, O-ring skadad	Byt O-ringen.
	Cylinder/pumphus, packning skadad.	Byt ut foder B.
	Stånghållare/cylinder/pumphus, lösa skruvar fläns.	Dra åt skruvarna.
Motorn rör sig inte. Motorn slö eller ryckig.	Fel spänning.	Ladda batteriet.
	Batteriet i slutet av livslängden.	Byt ut batteriet.
	DC-motor skadad av överhettning.	Byt DC-motor.
	DC-motorns lager eller drev är skadade eller trasiga.	Byt lager eller drev.

## ANM.:

- Pumpens interna komponenter och kolven har väldigt små toleranser och är känsliga för skador från damm, smuts, kontaminering av hydraulvätska eller felaktig hantering. Demonteringen av pumphuset kräver speciella verktyg och utbildning och bör endast utföras av kvalificerad personal som har utbildats och har rätt verktyg. Felaktigt underhåll av elektriska komponenter kan leda till förhållanden som kan orsaka allvarliga skador. Pumpen, kolvens komponenter och alla elektriska delar får endast underhållas av auktoriserad verkstad, återförsäljare eller distributör.

## UNDERHÅLL

### FÖRSIKTIGT:

- Se alltid till att maskinen är avstängd och batterikassetten borttagen innan inspektion eller underhåll utförs.
- Använd inte bensen, förtunningsmedel, alkohol eller liknande. Missfärgning, deformation eller sprickor kan uppstå.

För att upprätthålla produktens SÄKERHET och TILLFÖRLITLIGHET bör allt underhålls- och justeringsarbete utföras av ett auktoriserat Makita servicecenter och med reservdelar från Makita.

## VALFRIA TILLBEHÖR

### FÖRSIKTIGT:

- Följande tillbehör eller tillsatser rekommenderas för användning med den Makita-maskin som denna bruksanvisning avser. Om andra tillbehör eller tillsatser används kan det uppstå risk för personskador. Använd endast tillbehören eller tillsatserna för de syften de är avsedda för.

Kontakta ditt lokala Makita servicecenter om du behöver ytterligare information om dessa tillbehör.

- Makitas originalbatteri och laddare

### **ANM.:**

- Några av tillbehören i listan kan vara inkluderade i maskinpaketet som standardtillbehör. De kan variera mellan olika länder.

**Oversiktsforklaring**

- |                   |                           |                           |
|-------------------|---------------------------|---------------------------|
| 1. Rød indikator  | 10. Vern                  | 19. Blad B (tynnere blad) |
| 2. Knapp          | 11. Armeringsjern         | 20. Bolt (lengre)         |
| 3. Batteri        | 12. Blader                | 21. Bolt (kortere)        |
| 4. Stjernemerking | 13. Stopper               | 22. Skive                 |
| 5. LED-lampe      | 14. Mer enn 200 mm        | 23. Stangholder           |
| 6. Bryterlås      | 15. Lufthull              | 24. Skjærestang           |
| 7. Startbryter    | 16. Sekskantnøkkel        | 25. Blad A på Stangholder |
| 8. Side A         | 17. Returventil           | 26. Blad B på kappestang  |
| 9. Side B         | 18. Blad A (tykkere blad) | 27. Reserveblader         |

**SPESIFIKASJONER**

Modell	DSC163
Maks. skjærekapasitet (diam. mm)	16 mm
Grad 40 – Grad 60	
Grad 40: Strekkstyrke 490 N/mm <sup>2</sup> 70 000 PSI	
Grad 60: Strekkstyrke 620 N/mm <sup>2</sup> 90 000 PSI	
Skjærehastighet	2,8 sekunder
Total lengde	360 mm
Nettovekt	6,9 kg
Merkespennning	DC 18V

- Som følge av vårt kontinuerlige forsknings- og utviklingsprogram kan spesifikasjonene endres uten ytterligere forvarsel.
- Spesifikasjoner og batteri kan variere fra land til land.
- Vekt, med batteri, i henhold til EPTA-prosedyre 01/2014

**Standard batteri**

BL1830 / BL1830B / BL1840 / BL1840B / BL1850 / BL1850B / BL1860B

- Noen av batteriene som er opplistet ovenfor er kanskje ikke tilgjengelige, avhengig av hvor du bor.

**⚠ ADVARSEL:**

- **Bruk kun de batteriene som er opplistet ovenfor.** Bruk av andre batterier kan føre til personskader og/eller brann.

**Symboler**

Nedenfor ser du symbolene som brukes for dette utstyret. Forviss deg om at du forstår hva de betyr, før du begynner å bruke maskinen.



..... Les bruksanvisningen.



..... Kun for EU-land

Kast aldri elektroutstyr eller batteripakker i husholdningsavfallet!

I henhold til EU-direktivene om kasserte elektriske og elektroniske produkter, og om batterier og akkumulatører og brukte batterier og akkumulatører og direktivenes iverksetting i nasjonal rett, må elektriske produkter og batterier og batteripakker som ikke lenger skal brukes, samles separat og returneres til et miljøvennlig gjenvinningsanlegg.

**Riktig bruk**

Verktøyet er ment for å kutte armeringsjern.

**Støy**

Det typiske A-vektede lydtrykknivået er bestemt i henhold til EN60745-1:

Lydtrykknivå (LpA): 78 dB (A)

Usikkerhet (K): 3 dB (A)

Støynivået under arbeid kan overskride 80 dB (A).

**Bruk hørselvern**

**Vibrasjon**

Den totale vibrasjonsverdien (triaksial vektorsum) bestemt i henhold til EN60745-1:

Arbeidsmåte: kutte armeringsstang

Generert vibrasjon (a<sub>h</sub>): 2,5 m/s<sup>2</sup> eller mindre

Usikkerhet (K): 1,5 m/s<sup>2</sup>

- Den angitte verdien for de genererte vibrasjonene er målt i samsvar med standardtestmetoden og kan brukes til å sammenlikne et verktøy med et annet.
- Den angitte verdien for de genererte vibrasjonene kan også brukes til en foreløpig vurdering av eksponeringen.

## **⚠ ADVARSEL:**

- De genererte vibrasjonene ved faktisk bruk av elektroverktøyet kan avvike fra den angitte vibrasjonsverdien, avhengig av hvordan verktøyet brukes.
- Sørg for å identifisere vernetiltak for å beskytte operatøren, som er basert på et estimat av eksponeringen under de faktiske bruksforholdene (idet det tas hensyn til alle deler av driftssyklusen, dvs. hvor lenge verktøyet er slått av, hvor lenge det går på tomgang og hvor lenge startbryteren faktisk holdes trykket).

## **EFs samsvarserklæring**

### **Gjelder kun for land i Europa**

EFs samsvarserklæring er lagt til som vedlegg A i denne bruksanvisningen.

## **Generelle advarsler angående sikkerhet for elektroverktøy**

**⚠ ADVARSEL:** Les alle sikkerhetsadvarsler, instruksjoner, illustrasjoner og spesifikasjoner som følger med dette elektroverktøyet. Hvis ikke alle instruksjonene nedenfor følges, kan det forekomme elektrisk støt, brann og/eller alvorlig skade.

## **Oppbevar alle advarsler og instruksjoner for senere bruk.**

Uttrykket «elektrisk verktøy» i advarslene refererer både til elektriske verktøy (med ledning) tilkoblet strømmettet, og batteridrevne verktøy (uten ledning).

### **Sikkerhet på arbeidsplassen**

1. **Hold arbeidsplassen ren og godt opplyst.** Rotete og mørke områder fører lett til uhell.
2. **Ikke bruk elektriske verktøy i eksplosive atmosfærer, f.eks. i nærheten av brennbare væsker, gasser eller støv.** Elektriske verktøy avgir gnister som kan antenne støv eller gasser.
3. **Hold barn og tilskuere unna når du bruker et elektrisk verktøy.** Distraksjoner kan få deg til å miste kontrollen over verktøyet.

### **Elektrisk sikkerhet**

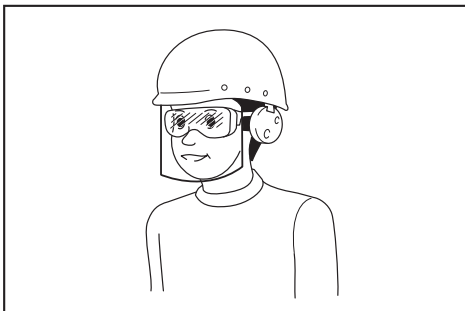
1. **Støpslene til elektriske verktøy må passe til det aktuelle strømuttaket.** Støpselet må aldri endres eller modifiseres på noen måte. **Ikke bruk adapterstøpsler til jordete elektriske verktøy.** Ikke-modifiserte støpsler og passende kontakter reduserer risikoen for elektriske støt.
2. **Unngå kroppskontakt med jordete overflater, som rør, radiatorer, komfyrer og kjøleskap.** Hvis kroppen din er jordet, er det større fare for at du får elektrisk støt.
3. **Ikke utsett elektriske verktøy for regn eller fuktighet.** Hvis det kommer vann inn i et elektrisk verktøy, vil det øke faren for elektrisk støt.

4. **Ikke utsett strømkabelen for feilaktige belastninger.** Kabelen må aldri brukes til å bære, trekke eller koble fra det elektriske verktøyet. Hold strømkabelen unna varme, olje, skarpe kanter og bevegelige deler. Ødelagte eller sammenfiltrede kabler øker faren for elektriske støt.
5. **Når du bruker et elektrisk verktøy utendørs, må du bruke en skjøteledning som egner seg til utendørs bruk.** Med en skjøteledning som er beregnet på utendørs bruk kan du redusere faren for elektriske støt.
6. **Hvis bruk av elektrisk verktøy i fuktige omgivelser ikke er til å unngå, må du bruke en strømforsyning som er beskyttet med en reststrømdrevet enhet (RCD).** Bruk av RCD reduserer faren for elektriske støt.
7. **Elektroverktøy kan skape elektromagnetiske felt (EMF) som ikke er skadelige for brukeren.** Brukere av pacemaker og annet tilsvarende medisinsk utstyr bør imidlertid kontakte produsenten av utstyret og/eller legen før de bruker dette elektroverktøyet.

### **Personlig sikkerhet**

1. **Vær årvåken, følg med på det du gjør og bruk sunn fornuft når du bruker elektriske verktøy.** Du må aldri bruke elektriske verktøy når du er trett eller under påvirkning av narkotika, alkohol eller medikamenter. Et øyeblikks uoppmerksomhet kan være nok til å forårsake alvorlige helseskader.
2. **Bruk personlig verneutstyr. Bruk alltid beskyttelsesbriller.** Verneutstyr som for eksempel støvmaske, sklisikre vernesko, hjelm og hørselsvern reduserer faren for personskader når det brukes riktig.
3. **Unngå utilsikket start. Pass på at bryteren er i «AV»-stilling før du kobler maskinen til et strømuttak eller batteripakken, og før du tar det opp eller begynner å bære maskinen.** Hvis du bærer elektroverktøy med fingeren på bryteren eller kobler strøm til et verktøy med bryteren i på-stilling, kan dette lett føre til ulykker.
4. **Fjern eventuelle justeringsnøkler og skrunøkler før du slår på det elektriske verktøyet.** En skrunøkkel eller sekskantnøkkel som legges igjen på en roterende del av verktøyet kan forårsake helseskader.
5. **Ikke len deg over verktøyet. Pass alltid på at du holder balansen og har godt fotfeste.** På denne måten får du bedre kontroll over det elektriske verktøyet i uventede situasjoner.
6. **Bruk riktig arbeidstøy. Ikke bruk løse klær eller smykker.** Hold hår og klær unna bevegelige deler. Løse klær, smykker og langt hår kan sette seg fast i bevegelige deler.
7. **Hvis støvavsug og utstyr for støvoppsamling er tilgjengelig, må disse være tilkoblet og brukes riktig.** En støvoppsamler kan redusere støvrelaterte farer.
8. **Ikke la fortrolighet som følge av hyppig bruk av verktøyet gjøre deg skjedesløs og få deg til å overste sikkerhetsprinsipper for verktøyet.** En uforsiktig handling kan medføre alvorlige personskader i løpet av en brøkdell av et sekund.

9. **Bruk alltid vernebriller for å beskytte øynene mot skade når du bruker elektroverktøy. Brillene må oppfylle kravene i ANSI Z87.1 i USA, EN 166 i Europa eller AS/NZS 1336 i Australia/New Zealand. I Australia/New Zealand er det dessuten lovpålagt å bruke et ansiktsvern for å beskytte ansiktet.**



Det er arbeidsgivers ansvar å påse at verktøyoperatørene og alle andre personer i arbeidsområdets umiddelbare nærhet bruker riktig verneutstyr.

#### Bruk og vedlikehold av elektrisk verktøy

1. **Ikke bruk makt på det elektriske verktøyet. Bruk riktig elektrisk verktøy for formålet.** Riktig elektrisk verktøy vil gjøre jobben bedre og sikrere i den hastigheten det er konstruert for.
2. **Ikke bruk det elektriske verktøyet hvis det ikke kan slås på og av med startbryteren.** Et hvilket som helst elektrisk verktøy som ikke kan kontrolleres med startbryteren er farlig og må repareres.
3. **Trekk støpselet ut av stikkontakten og/eller ta batteriet ut av elektroverktøyet, hvis det kan tas ut, før du foretar eventuelle justeringer, skifter tilbehør eller setter elektroverktøy til oppbevaring.** Slike forebyggende sikkerhetstiltak reduserer faren for at elektroverktøyet skal starte utilsikket.
4. **Elektriske verktøy som ikke er i bruk skal oppbevares utilgjengelig for barn. Ikke la personer som ikke kjenner det elektriske verktøyet eller disse instruksjonene bruke det.** Elektrisk verktøy er farlig i hendene på uopplærte brukere.
5. **Vedlikehold elektroverktøy og tilbehør. Kontroller om deler av verktøyet er dårlig tilpasset hverandre, om bevegelige deler sitter fast, om noen deler er brukket, eller om andre omstendigheter vil kunne påvirke bruken av det elektriske verktøyet.** Hvis det elektriske verktøyet er skadet, må det repareres før bruk. Mange ulykker skyldes dårlig vedlikeholdt elektrisk verktøy.
6. **Hold skjæreverktøy skarpe og rene.** Korrekt vedlikeholdt skjæreverktøy med skarpe skjærekanter har mindre risiko for å sette seg fast og er enklere å kontrollere.
7. **Bruk det elektriske verktøyet, tilbehør og verktøybits osv. i henhold til disse instruksjonene, mens du tar hensyn til arbeidsforholdene og arbeidet som skal utføres.** Det kan oppstå farlige situasjoner hvis det elektriske verktøyet brukes til andre formål enn det er laget for.

8. **Hold håndtakene og gripeflatene tørre, rene og frie for olje og smørefett.** Glatte håndtak og gripeflater gjør verktøyet vanskelig å håndtere og kontrollere dersom det skulle oppstå noe uventet.
9. **Ikke bruk stoffhansker som kan vikle seg inn i verktøyet.** Hvis stoffhansker vikler seg inn i de bevegelige delene, kan det føre til personskader.

#### Bruk og vedlikehold av batteridrevne maskiner

1. **Batteriet må kun lades opp igjen med en lader spesifisert av produsenten.** En lader som passer til én batteritype, kan være brannfarlig når den brukes med en annen batteritype.
2. **Bruk elektroverktøy kun med spesifikt angitte batterier.** Hvis det brukes et hvilket som helst annet batteri, kan dette utgjøre en fare for helseskader og brann.
3. **Når batteriet ikke er i bruk, må du holde verktøyet unna metallgjenstander som f.eks. binders, mynter, nøkler, spiker, skruer og andre små metallgjenstander som kan skape forbindelse mellom de to polene.** Hvis batteripolene kortsluttes, kan du få brannskår, eller det kan begynne å brenne.
4. **Hvis batteriet utsettes for hardhendt bruk, kan det løkke væske fra batteriet. Unngå kontakt med væsken.** Hvis du kommer i kontakt med batterivæsken, må du skylle med vann. Hvis du får batterivæske i øynene, må du i tillegg oppsøke lege. Væske som kommer ut av batteriet, kan forårsake irritasjon eller forbrenninger.
5. **Ikke bruk et batteri eller verktøy som er skadet eller endret på.** Batterier som er skadet eller endret på kan oppføre seg upålitelig og medføre brann, eksplosjon eller fare for personskader.
6. **Et batteri eller verktøy må ikke utsettes for brann eller for høy temperatur.** Brann eller en temperatur over 130 °C kan forårsake eksplosjon.
7. **Følg alle ladeinstruksjoner, og ikke lad batteriet eller verktøyet utenfor temperaturområdet som er angitt i instruksjonene.** Feil lading eller ved temperaturer utenfor det angitte området, kan skadet batteriet og øke faren for brann.

#### Service

1. **La en kvalifisert reparatør utføre service på det elektriske verktøyet ditt, og se til at vedkommende kun bruker originale reservedeler.** Dette vil opprettholde sikkerheten til det elektriske verktøyet.
2. **Aldri foreta service på skadde batterier.** Service på batterier skal kun utføres av produsenten eller godkjente serviceleverandører.
3. **Følg instruksjonene for smøring og skifting av tilbehør.**

## SIKKERHETSANVISNINGER FOR BATTERIDREVT STÅLRØRKUTTER

1. **Hold verktøyet sikkert mens det er i bruk.** Hvis verktøyet ikke holdes godt, kan du bli skadet.
2. **Hold alltid hender og ansikt bort fra bevegelige deler.** Dette vil kunne forårsake en personskade.



3. **Slipp startbryteren straks for å stanse driften når verktøyet ikke virker som det skal eller avgir unormal lyd ved bruk. Få den kontrollert og reparert i et autorisert servicesenter.** Hvis du gjør det, kan det føre til personskader eller at materielle skader.
4. **Hvis verktøyet faller ned eller får et slag, kontrollerer nøye at huset ikke er skadet, har sprukket eller har blitt deformert.** Alle slike skader kan medføre personskader.
5. **Denne maskinen er et elektro-hydraulisk verktøy. Oljetanken var fylt før levering av maskinen. Ikke fyll på olje med mindre maskinen ikke virker som den skal.**
6. **Metallskjærende blader har skarpe kanter.** Håndter dem forsiktig og unngå å skjære deg.
7. **Skadde, deformerte eller sprukne blader kan forårsake alvorlige ulykker i tillegg til at bruken blir hindret.** Skift ut med nye originalblader straks.
7. **Ikke sett fyr på batteriet, ikke engang om det er sterkt skadet eller helt utslitt. Batteriet kan eksplodere hvis det begynner å brenne.**
8. **Vær forsiktig så du ikke mister batteriet eller utsetter det for slag.**
9. **Ikke bruk batterier som er skadet.**
10. **Lithium-ion-batteriene som medfølger er gjenstand for krav om spesialavfall.**  
For kommersiell transport, f.eks. av tredjeparter eller speditorer, må spesielle krav om pakking og merking følges.  
Før varen blir sendt, må du forhøre deg med en ekspert på farlig materiale. Ta også hensyn til muligheten for mer detaljerte nasjonale bestemmelser.  
Bruk teip eller maskeringsteip for å skjule åpne kontakter og pakk inn batteriet på en slik måte at den ikke kan bevege seg rundt i emballasjen.
11. **Følg lokale bestemmelser for avhengig av batterier.**
12. **Bruk batteriene kun med produkter spesifisert av Makita.** Montere batteriene i produkter som ikke er konforme kan føre til brann, overheting eller elektrolyttlekkasje.

## TA VARE PÅ DISSE ANVISNINGENE.

### ⚠ ADVARSEL:

IKKE LA hensynet til hva som er “behagelig” eller det faktum at du kjenner produktet godt (etter mange gangers bruk) gjøre deg mindre oppmerksom på sikkerhetsreglene for bruken av det aktuelle produktet. Ved MISBRUK eller hvis ikke sikkerhetsreglene i denne bruksanvisningen følges, kan det oppstå alvorlig personskade.

## Viktige sikkerhetsanvisninger for batteriinnsetning

1. Før du begynner å bruke batteriet, må du lese alle anvisninger og forsiktighetsregler på (1) batteriladeren, (2) batteriet og (3) det produktet batteriet skal brukes i.
2. Ikke ta fra hverandre batteriet.
3. Hvis driftstiden er blitt vesentlig kortere, må du omgående slutte å bruke maskinen. Hvis ikke kan resultatet bli overoppheting, mulige forbrenninger eller til og med en eksplosjon.
4. Hvis du får elektrolytt i øynene, må du skylle dem med store mengder rennende vann og oppsøke lege med én gang. Denne typen uhell kan føre til varig blindhet.
5. Ikke kortslett batteriet:
  - (1) De kan være ekstremt varme og du kan brenne deg.
  - (2) Ikke lagre batteriet i samme beholder som andre metallgjenstander, som for eksempel spiker, mynter osv.
  - (3) Ikke la batteriet komme i kontakt med vann eller regn.

En kortslutning av batteriet kan føre til et kraftig strømstøt, overoppheting, mulige forbrenninger og til og med til at batteriet går i stykker.

6. Ikke lagre maskinen og batteriet på steder hvor temperaturen kan komme opp i eller overskride 50 °C.

## TA VARE PÅ DISSE ANVISNINGENE.

⚠ **FORSIKTIG: Bruk kun originale Makita-batterier.**  
Bruk av batterier som har endret seg, eller som ikke er originale Makita-batterier, kan føre til at batteriet sprekker og forårsaker brann, personskader og andre skader. Det vil også ugyldiggjøre garantien for Makita-verktøyet og -laderen.

### Tips for å opprettholde maksimal batterilevetid

1. **Lad batteriinnsetningen før den er helt utladet. Stopp alltid driften av verktøyet og lad batteriinnsetningen når du merker at effekten reduseres.**
2. **Lad aldri en batteriinnsetning som er fulladet. Overopplading forkorter batteriets levetid.**
3. **Lad batteriet i romtemperatur ved 10 °C - 40 °C. Et varmt batteri må kjøles ned før lading.**
4. **Lad batteriet hvis det ikke har vært brukt på en lang stund (over seks måneder).**

## FUNKSJONSBEKRIVELSE

### ⚠ **FORSIKTIG:**

- Forviss deg alltid om at maskinen er slått av og batteriet tatt ut før du justerer maskinen eller kontrollerer dens mekaniske funksjoner.

### Sette inn eller ta ut batteriet (Fig. 1)

### ⚠ **FORSIKTIG:**

- Slå alltid av verktøyet før du setter inn eller fjerner batteriet.
- **Hold verktøyet og batteripatronen i et fast grep når du monterer eller fjerner batteripatronen.** Hvis du ikke holder verktøyet og batteripatronen godt fast, kan du miste grepet, og dette kan føre til skader på verktøyet og batteripatronen samt personskader.

For å ta ut batteriet må du skyve på knappen foran på batteriet og trekke det ut.  
Når du skal sette inn batteriet, må du plassere tungen på batteriet på linje med sporet i huset og skyve batteriet på plass. Skyv det helt inn til det går i inngrep med et lite klikk. Hvis du kan se den røde indikatoren på oversiden av knappen, er det ikke fullstendig låst.

#### ⚠ **FORSIKTIG:**

- Batteriet må alltid settes helt inn, så langt at den røde indikatoren ikke lenger er synlig. Hvis dette ikke gjøres, kan batteriet falle ut av verktøyet og skade deg eller andre som oppholder seg i nærheten.
- Ikke bruk makt når du setter i batteriet. Hvis batteriet ikke blir lett inn, er det fordi det ikke settes inn på riktig måte.

### **Beskyttelsessystem for batteri (litiumionbatteri med stjernemerking) (Fig. 2)**




Litiumionbatterier med stjernemerking er utstyrt med et beskyttelsessystem. Dette systemet slår automatisk av strømmen til verktøyet for å forlenge batterilevetiden. Verktøyet stopper automatisk ved drift hvis det og/eller batteriet utsettes for en av følgende tilstander:

- Overbelastning:**  
Verktøyet brukes på en måte som gjør at det trekker uvanlig mye strøm. I så fall, slipp startbryteren på verktøyet og hold opp med det arbeidet som førte til at verktøyet ble overbelastet. Trekk deretter i startbryteren igjen for å starte på nytt.  
Hvis verktøyet ikke starter, er batteriet overbelastet. I dette tilfellet, la batteriet kjøle seg ned før du drar i startbryteren igjen.
- Lav batterispennning:**  
Gjenværende batterikapasitet er for lav og verktøyet vil ikke fungere. I dette tilfellet, fjern og lad batteriet opp igjen.

### **Indikere gjenværende batterikapasitet (Fig. 3)**

(Landsspesifikt)

Når du drar i startbryteren, viser LED-skjermen gjenværende batterikapasitet etter følgende tabell.

Lysdiodeindikatorstatus	Gjenværende batterikapasitet
	Ca. 50 % eller mer
	Ca. 20–50 %
	Under ca. 20 %

#### **MERK:**

- LED-displayet slukkes ca. ett minutt etter at startbryteren er frigjort for å spare batteriet. For å kontrollere gjenværende batterikapasitet, dra forsiktig i startbryteren.

- Når LED-skjermen begynner å lyse og maskinen stanser selv om batteriet er fullt oppladet, må du avkjøle maskinen helt. Hvis statusen ikke endres, må du få den reparert av et lokalt Makita-servicesenter.

## **ARBEIDSPROSEDYRE**

Les, forstå og følg sikkerhetsanvisningene og driftsprosedurene. Hvis du ikke forstår instruksjonene eller hvis forholdene ikke ligger til rette for riktig bruk, må du ikke bruke verktøyet. Ta kontakt med lederen din eller en annen ansvarshavende.

#### ⚠ **ADVARSEL:**

- Før batteriet settes inn i verktøyet, trekker du, og slipper startbryteren for å sikre at den går tilbake når den slippes.

Motoren er på når startbryteren er trukket ut og av når startbryteren er frigjort.

### **Bruk av bryterlås (Fig. 4)**

- Skyv inn bryterlåsen på side A. Bryteren er låst opp og startbryteren kan brukes.
- Skyv inn bryterlåsen på side B. Bryteren er låst og startbryteren kan ikke brukes.

#### ⚠ **FORSIKTIG:**

- Startbryteren må låses hele tiden når maskinen ikke er i bruk.

#### ⚠ **ADVARSEL:**

- Før bruk må posisjonen til operatøren i forhold til verktøyet, og omgivelsene er trygge ettersom slik at det er trygt å bruke verktøyet. Sett på vernebriller og ha på verneklær.
- Se i spesifikasjonene for verktøyet i denne håndboken, og ikke kutt armeringsjern av en størrelse eller hardhet som overstiger skjærekapasiteten til verktøyet.
- Ikke kutt annet materiale enn armeringsjern. Snakk med produsenten hvis du ønsker å kutte andre materialer.

#### ⚠ **ADVARSEL:**

- Skift ut skadet (avskallet, brukket, sprukket) eller deformerte blader straks. Bladet vil ikke skjære riktig og kan få brudd eller brekke, noe som kan forårsake alvorlige personskader.

### **Skjæreprosedyre**

#### ⚠ **ADVARSEL:**

- Verktøyet må aldri brukes uten vernet på plass.** Hvis du ikke retter deg etter dette, kan det resultere i alvorlige personskader. (Fig. 5)
- Vernet er et utstyr som forhindrer at fragmenter blir slynget mot operatøren. Det forhindrer ikke at det blir slynget ut noe i aksial retning i forhold til armeringsjernet. Posisjoner deg selv slik at vernet blokkerer fragmentene.
- I noen figurer vises ikke vernet, men dette er når innsiden av vernet vises. Bruk alltid maskinen med vernet på plass.

1. Posisjoner armeringsjernet som skal kuttes mellom bladene. (Fig. 6)  
Juster stopperen i henhold til diameteren til armeringsjernet som skal kuttes slik at armeringsjernet er 90 grader på bladene. Stopperen støtter armeringsjernet og holder det vinkelrett på bladene ved kutting. (Fig. 7)

#### **⚠ ADVARSEL:**

- Når armeringsjernet kuttes må du justere stopperen i henhold til diameteren til armeringsjernet som skal kuttes slik at armeringsjernet er 90 grader på bladene. Uten denne justeringen kan skjæremnet kastes ut og medføre alvorlige personskader på operatøren eller andre. Aldri unnlat å kontrollere posisjonen til operatøren i forhold til verktøyet, og at operatøren og omgivelsene er trygge.
2. Posisjoner armeringsjernet dypt nok mellom bladene slik at det ikke berører vernet. (Fig. 8)

#### **⚠ ADVARSEL:**

- Hvis armeringsjernet som skal skjæres ikke er posisjonert helt mellom bladene vil bladene bli skadet. Armeringsjernet vil slynges ut med stor kraft og kan forårsake personskader.

#### **⚠ ADVARSEL:**

- Ikke kutt armeringsjern når stykket som skal kuttes er kortere enn 200 mm. Kutting av kortere lengder kan få armeringsjernet til å fly ut under kutting. Dette kan medføre alvorlige personskader. (Fig. 9)

#### **⚠ ADVARSEL:**

- Ikke kutt armeringsjern når det ikke støttes godt av stopperen. Hold armeringsjernet på stoppersiden når du kutter. (Fig. 10, 11) Hvis ikke kan skjæremnet kastes ut og føre til alvorlige personskader på operatøren eller andre.
3. Skyv inn bryterlåsen på side A. Bryteren er låst opp og startbryteren kan brukes.
  4. Trykk på startbryteren for å starte skjæringen. Skjærestangen vil bevege seg fremover for å kutte armeringsjernet. Hold bryteren trykket inn til Skjærestangen stanser på slutten av slaget.
  5. Slipp startbryteren når kuttet er fullført og skjærestangen har nådd slutten av slaget. Skjærestangen vil så gå automatisk tilbake til startposisjon. Skjærestangen vil ikke gå tilbake hvis slaget ikke er fullført. Skjærestangen vil heller ikke kunne beveges fremover igjen før den har returnert helt til startposisjon. Bare trykk på bryteren for å starte neste kutt etter at skjærestangen har gått helt tilbake til startposisjonen og stanset.

#### **⚠ ADVARSEL:**

- Når det skjæres et armeringsjern med stor strekkbarhet kan skjæremnet kastes ut og forårsake alvorlige personskader på operatøren. Bruk vernebriller og bekreft at omgivelsene er trygge før du starter maskinen.

#### **⚠ ADVARSEL:**

- Hold hendene og kroppen unna bladene, de bevegelige delene og skjærområdet når maskinen går.  
Ta batteriet ut av verktøyet straks etter bruk.

#### **MERK:**

- Hvis temperaturen på verktøyhuset overstiger 70 °C (160 °F), reduseres verktøyets kapasitet. I slike tilfeller, stans bruken og la verktøyet avkjøles.

#### **MERK:**

- Hold lufthullet på enden av stangholderen fri for skitt og avfall. Luftehullet kontrollerer det innvendige trykket og må ikke blokkeres. (Fig. 12)

### **Dreibart motorhus (Fig. 13)**

Motorhuset kan roteres hele 360 grader i begge retninger mens maskinen går. Denne funksjonen er spesielt nyttig når du arbeider på trange plasser eller steder som er vanskelig å komme til fordi du kan posisjonere verktøyet i best mulig posisjon for å få arbeidet gjort.

### **Bruk av returventil (Fig. 14)**

Returventilens oppgave er å sørge for at skjærestangen returnerer til startposisjon hvis maskinen ikke kan fullføre et kutt eller blir blokkert. Hvis returventilen løsnes en halv omdreining, vil oljetrykket avlastes og la skjærestangen gå tilbake. Stram returventilen så snart skjærestangen er helt returnert og før arbeidet fortsetter.

## **FREMGANGSMÅTE FOR SKIFTING AV BLADER**

Hvis skjærekantene på bladene er brukket, sprukket, deformert eller skadet på noen måte, vil skjæreevnen bli redusert. Skjæring under slike forhold kan forårsake mer skade og medføre personskader. Bladene må skiftes som et sett straks hvis det oppdages noen skader.

#### **⚠ ADVARSEL:**

- Når bladene skiftes ut må batteriet være tatt ut av verktøyet for å forhindre at det starter.

Sikre at Blad A, på stangholderen og Blad B på skjærestangen er festet i riktige posisjoner. (Fig. 15)

1. Skru ut boltene og ta av pakningene som holder Blad A og blad B.
2. Fjern skitt og rengjør overflatene der de nye bladene skal settes på.
3. Fest Blad A, på stangholderen og Blad B på skjærestangen. Skift ut bolter og pakninger og stram godt.

#### **⚠ ADVARSEL:**

- Boltene som holder blad A og blad B må strammes godt med jevne mellomrom. Hvis boltene blir løse kan bladene skades og forårsake en personskade.

## Type reserveblad og avtaking (Fig. 16)

Festeboltene må være godt strammet.

Kontroller med jevne mellomrom at bladet er skikkelig fastmontert.

Størrelse på reserveblader

● Bruk denne tabellen for å identifisere riktige blader for din modell.

Modell	A (festet på stangholderen)	B (festet på skjærestangen)
DSC163 (Ø 3 - Ø 16)	22 × 17 × 9 mm (boltstørrelse 5 mm)	22 × 17 × 8 mm (boltstørrelse 5 mm)

### MERK:

- Bare bruk originale Makita-blader.

## PÅFYLLING AV OLJE

Denne batteridrevne stålkutteren er elektro-hydraulisk. Da den ble sendt fra fabrikk, var den fylt med olje. Ikke forsøk å fylle på olje så lenge verktøyet virker som det skal. Over tid vil oljenivået gå gradvis ned. Dette vil med tiden forårsake en merkbar forringelse av ytelsen. Når dette skjer, fylles olje på slik.

1. Plasser et armeringsjern mellom bladene og trekk i startbryteren.
2. Slipp opp startbryteren rett før kuttet er fullført for å stanse verktøyet.
3. Ta batteriet ut av verktøyet slik at bladene ikke kan bevege seg utilsiktet.
4. Skru ut bolten (SB10x15) som lukker oljefyllingshullet. Fyll på olje, vær forsiktig slik at det ikke søles noe olje inn i motoren.
5. Skru inn bolten (SB10x15) igjen, og stram den godt.
6. Sett inn batteriet i maskinen igjen og fullfør kuttingen.
7. Gjenta fremgangsmåten over flere ganger til oljenivået er riktig.

### ⚠ FORSIKTIG:

- Bare ren hydraulikkolje, som anbefalt av Makita må brukes i dette verktøyet. Anbefalte oljer inkluderer hydraulikkoljen Makita leverer, Super Hyrando #46 (JX Nippon Oil & Energy Corp.); Shell Tellus Plus #46 (U.S. Shell); eller tilsvarende spesifisert anti-slitasje hydraulikkolje, ISO viskositetsgrad 46. Ikke bruk andre oljer fordi det kan forårsake skade på tetninger og andre innvendige maskindeler.

# FEILSØKING

## ⚠ ADVARSEL:

- Ta ut batteriet før du utfører noe arbeid på maskinen.

PROBLEM	ÅRSAK	LØSNING
Skjærestangen vil ikke forlenges.	Utilstrekkelig olje	Etterfyll olje. (Se i "Påfylling av olje")
	Skjærestangen har ikke gått helt tilbake på grunn av at det har dannet seg avfall mellom skjærestangen og stangholderen.	Skyv skjærestangen manuelt. Fjern skitt og rengjør
	Skjærestangen har ikke gått helt tilbake på grunn av skade på skjærestangen.	Skift ut skjærestangen.
	Skjærestangen har ikke gått helt tilbake på grunn av løse eller skadde blader.	Stram bladboltene. Skift ut bladene
	Skjærestangen har ikke gått helt tilbake på grunn av svak returfjær.	Skift ut returfjæren.
Utilstrekkelig kraft til å kappe armeringsjern.	Utilstrekkelig olje.	Etterfyll olje. (Se i "Påfylling av olje")
	Returventilen sitter ikke godt i setet eller setet er skadet.	Rengjør spissen på returventilen og setet. Fjern alle oppskrapinger fra setet.
	Returventil, skadet.	Skift ut.
	Feil klaring mellom sylinder og stempel.	Skift ut stempelet (Merk: forskjellige stempelstørrelser tilgjengelig)
	Kontroller om ventilen ikke sitter godt i setet eller om setet er skadet.	Rengjør kontrollventil og setet. Skift ut.
Uretanpakningen er skadet eller ødelagt.	Skift ut.	
Oljelekkasjer.	Oljenvelleringsblæren skadet eller ødelagt.	Skift ut.
	Skjærestang/stangholder, o-ring skadet. Armeringsjernet/stangholder, overflaten er ripet eller har furer.	Skift ut reservering og o-ring. Skift ut kuttestangen/stangholderen
	Sylinder/stangholder, o-ring skadet	Skift ut o-ring.
	Sylinder/pumpehus, pakning skadet.	Skift ut foring B.
	Stangholder/sylinder/pumpehus, flensbolter løse.	Stram bolter.
Motoren går ikke. Motoren går sakte eller uregelmessig.	Feil spenning.	Lad opp batteriet.
	Batteriet er nesten utladet.	Sett inn batteriet.
	DC-motoren er skadet på grunn av overoppheting.	Skift ut DC-motoren.
	Lagre eller gir i DC-motoren er skadet eller ødelagte.	Skift ut lagre eller gir.

## MERK:

- De innvendige komponentene i pumpen og i lagerområdet har svært små toleranser og er følsomme for støv, skitt, forurensing av hydraulikkolje eller feilhåndtering. Demontering av pumpehuset krever spesialverktøy og trening, og bør bare utføres av kvalifisert reparasjonspersonell som har fått god opplæring og har riktig verktøy. Hvis service på elektriske komponenter utføres på en feilaktig måte, kan det føre til alvorlige personskader. Komponentene i pumpen og stempelet, samt alle elektriske deler må bare gjennomgå service utført av et autorisert verksted, forhandleren eller distributøren.

## VEDLIKEHOLD

### **FORSIKTIG:**

- Forviss deg alltid om at maskinen er slått av og batteriet tatt ut før du foretar inspeksjon eller vedlikehold.
- Aldri bruk gasolin, bensin, tynner alkohol eller lignende. Det kan føre til misfarging, deformering eller sprekkdannelse.

For å opprettholde produktets SIKKERHET og PÅLITELIGHET, må reparasjoner, vedlikehold og justeringer utføres av autoriserte Makita serviceverksteder, og det må alltid brukes reservedeler fra Makita.

## VALGFRITT TILBEHØR

### **FORSIKTIG:**

- Det anbefales at du bruker dette tilbehøret eller verktøyet sammen med den Makita-maskinen som er spesifisert i denne håndboken. Bruk av annet tilbehør eller verktøy kan forårsake personskader. Tilbehør og verktøy må kun brukes til det formålet det er beregnet på.

Ta kontakt med ditt lokale Makita-servicesenter hvis du trenger mer informasjon om dette tilbehøret.

- Makita originalbatteri og lader

### **MERK:**

- Enkelte artikler på listen kan være inkludert som standardtilbehør i verktøypakken. Artiklene kan variere fra land til land.

**Rakennekuvan selite**

- |                        |                            |                              |
|------------------------|----------------------------|------------------------------|
| 1. Punainen merkkivalo | 10. Suojus                 | 19. Terä B (ohuempi terä)    |
| 2. Painike             | 11. Raudoitustanko         | 20. Pultti (pidempi)         |
| 3. Akkupaketti         | 12. Terät                  | 21. Pultti (lyhyempi)        |
| 4. Tähtimerkintä       | 13. Pysäytin               | 22. Aluslevy                 |
| 5. LED-ilmaisain       | 14. Yli 200 mm             | 23. Tangonpidike             |
| 6. Liipaisinlukitus    | 15. Ilmareikä              | 24. Leikkuutanko             |
| 7. Liipaisinkytkin     | 16. Kuusioavain            | 25. Terä A tangonpidikkeessä |
| 8. A-puoli             | 17. Paluuventtiili         | 26. Terä B leikkuutangossa   |
| 9. B-puoli             | 18. Terä A (paksumpi terä) | 27. Varaterät                |

**TEKNISET TIEDOT**

Malli	DSC163
Suurin leikkuukapasiteetti (halkaisija, mm)	16 mm
Luokka 40 – luokka 60	
Luokka 40: Vetolujuus 490 N/mm <sup>2</sup> 70 000 PSI	
Luokka 60: Vetolujuus 620 N/mm <sup>2</sup> 90 000 PSI	
Leikkuunopeus	2,8 sekuntia
Kokonaispituus	360 mm
Nettopaino	6,9 kg
Nimellisjännite	DC 18V

- Jatkuvan tutkimus- ja kehitysohjelman vuoksi pidätämme oikeuden muuttaa tässä mainittuja teknisiä ominaisuuksia ilman ennakoimista.
- Tekniset ominaisuudet ja akku saattavat vaihdella maakohtaisesti.
- Paino akku mukaan lukien EPTA-meneteltävän 01/2014 mukaisesti

**Käytettävä akkupaketti**

BL1830 / BL1830B / BL1840 / BL1840B / BL1850 / BL1850B / BL1860B

- Tiettyjä yläpuolella kuvattuja akkuja ei ehkä ole saatavana asuinalueestasi johtuen.

**⚠ VAROITUS:**

- **Käytä vain edellä eriteltyjä akkupaketteja.** Muiden akkupakettien käyttäminen voi aiheuttaa loukkaantumisen ja/tai tulipalon.

**Symbolit**

Laitteessa on käytetty seuraavia symboleja. Opettele niiden merkitys ennen käyttöä.



..... Lue käyttöohje.



..... Koskee vain EU-maita

Älä hävitä sähkölaitteita tai akkuja tavallisen kotitalousjätteen mukana! Sähkö- ja elektroniikkalaiteromua koskevan EU-direktiivin ja paristoja ja akkuja sekä käytettyjä paristoja ja akkuja koskevan direktiivin ja niiden maakohtaisten sovellusten mukaisesti käytetyt sähkölaitteet ja akut on toimitettava ongelmajätteen keräyspisteeseen ja ohjattava ympäristöstävälliseen kierrätykseen.

**Käyttötarkoitus**

Laitte on tarkoitettu raudoitustankojen leikkaamiseen.

**Melutaso**

Tyypillinen A-painotettu melutaso määräytyy EN60745-1-standardin mukaan:

Äänenpainetaso (L<sub>pA</sub>): 78 dB (A)

Virhemarginaali (K): 3 dB (A)

Työskentelyn aikana melutaso voi ylittää 80 dB (A).

**Käytä kuulosuojaimia**

**Tärinä**

Tärinän kokonaisarvo (kolmiakselisen vektorin summa) määräytyy EN60745-1-standardin mukaisesti:

Työskentelytila: raudoitustankon leikkaus

Tärinäpäästö (a<sub>h1</sub>): 2,5 m/s<sup>2</sup> tai vähemmän

Virhemarginaali (K): 1,5 m/s<sup>2</sup>

- Ilmoitettu tärinäpäästöarvo on mitattu standarditestausmenetelmän mukaisesti, ja sen avulla voidaan vertailla työkaluja keskenään.
- Ilmoitettua tärinäpäästöarvoa voidaan käyttää myös altistumisen alustavaan arviointiin.

## ⚠ VAROITUS:

- Laitteen käytön aikana mitattu todellinen tärinäpäästöarvo voi poiketa ilmoitetusta tärinäpäästöarvosta laitteen käyttötavan mukaan.
- Selvitä käyttäjän suojaamiseksi tarvittavat varoimet todellisissa käyttöolosuhteissa tapahtuvan arvioidun allistumisen mukaisesti (ottaen huomioon käyttöjakso kokonaisuudessaan, myös jaksot, joiden aikana laite on sammutettuna tai käy tyhjäkäynnillä).

## EY-vaatimustenmukaisuusvakuutus

### Koskee vain Euroopan maita

EY-vaatimustenmukaisuusvakuutus on liitetty tähän käyttöoppaaseen liitteeksi A.

## Sähkötyökalujen käyttöä koskevat yleiset varoitukset

⚠ VAROITUS: Tutustu kaikkiin tämän sähkötyökalun mukana toimitettuihin varoituksiin, ohjeisiin, kuviin ja teknisiin tietoihin. Seuraavassa lueteltujen ohjeiden noudattamatta jättäminen saattaa johtaa sähköiskuun, tulipaloon tai vakavaan vammautumiseen.

## Säilytä varoitukset ja ohjeet tulevaa käyttöä varten.

Varoituksissa käytettävällä termillä ”sähkötyökalu” tarkoitetaan joko verkkovirtaa käyttävää (johdollista) työkalua tai akkukäyttöistä (johdotonta) työkalua.

### Työskentelyalueen turvallisuus

1. **Pidä työskentelyalue puhtaana ja hyvin valaistuna.** Sotkuissa ja pimeissä tiloissa sattuu helposti onnettomuuksia.
2. **Älä käytä sähkötyökaluja tiloissa, joissa on räjähdysvaara (esimerkiksi palavia nesteitä, kaasuja tai pölyä).** Sähkötyökalut synnyttävät kipinöitä, jotka voivat sytyttää pölyn tai kaasun.
3. **Pidä lapset ja katselijat loitolla, kun käytät työkalua.** Häiriötekijät voivat johtaa työkalun hallinnan menetykseen.

### Sähköturvallisuus

1. **Sähkötyökalun pistotulpan täytyy sopia pistorasiaan. Älä koskaan muuta tulpaa millään tavalla. Älä käytä pistotulpan sovittamaa maadoitettujen (maattokosketin) sähkötyökalujen kanssa.** Muuttamattomat tulpat ja sopivat pistorasiat pienentävät sähköiskun vaaraa.
2. **Vältä vartalo kosketusta maadoitettuihin pintoihin kuten putkiin, lämpöpattereihin, liesiin ja jääkaappeihin.** Sähköiskun vaara kasvaa, jos vartalosi on maadoitettu tai yhteydessä maahan.
3. **Älä jätä sähkötyökaluja sateeseen tai kosteisiin olosuhteisiin.** Sähkötyökaluun päässyt vesi suurentaa sähköiskun vaaraa.

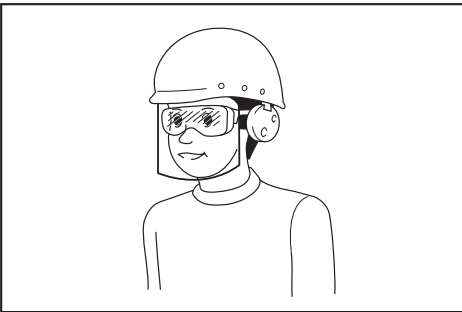
4. **Älä käsittele virtajohtoa huonosti. Älä koskaan kannata tai vedä sähkötyökalua virtajohdosta tai irrota sitä pistorasiasta johdosta vetämällä. Suojaa virtajohto kuumuudelta, öljyltä, teräviltä reunoilta ja liikkuvilta osilta.** Vahingoittuneet tai kiinni tarttuneet johdot suurentavat sähköiskun vaaraa.
5. **Kun käytät sähkötyökalua ulkona, käytä ulkokäyttöön tarkoitettua jatkojohtoa.** Ulkokäyttöön tarkoitettu johdon käyttö pienentää sähköiskun vaaraa.
6. **Jos sähkötyökalun käyttöä kosteissa olosuhteissa ei voida välttää, käytettävässä virtalähteessä tulee olla vikavirtasuojia.** Vikavirtakytkimen käyttäminen vähentää sähköiskuvaaraa.
7. **Sähkökäyttöiset työkalut voivat muodostaa käyttäjälle vaarattomia sähkömagneettikiintiä (EMF).** Kuitenkin sydämentahdistimia ja muita lääketieteellisiä laitteita käyttävien henkilöiden tulisi ottaa yhteys laitteen valmistajaan ja/tai lääkäriin ennen tämän sähkökäyttöisen työkalun käyttöä.

### Henkilökohtainen turvallisuus

1. **Pysy valppaana, katso mitä teet, ja käytä tervettä järkeä, kun käytät sähkötyökalua. Älä käytä sähkötyökalua, jos olet väsynyt tai huumeiden, alkoholin tai lääkkeiden vaikutuksen alainen.** Hetkellinen tarkkaamattomuus sähkötyökalun käytön aikana voi aiheuttaa vakavan vamman.
2. **Käytä henkilönsuojaimia. Käytä aina suojalaseja.** Suojavarusteiden, esimerkiksi hengityssuojaimen, pitävien turvakengien, suojakypärän tai kuulosuojaimien, asianmukainen käyttö vähentää loukkaantumisia.
3. **Estä työkalun tahaton käynnistyminen. Varmista, että kytkin on OFF-asennossa, ennen kuin kytket virtajohdon ja/tai akun, nosta laitteen tai kannat työkalua.** Sähkötyökalun kantaminen sormi kytkimellä tai sen kytkeminen virtalähteeseen kytkin painettuna aiheuttaa helposti onnettomuuden.
4. **Irrota säätöavain tai vääntötyökalu ennen työkalun käynnistystä.** Sähkötyökalun pyöriivään osaan kiinni jätetty työkalu tai avain voi aiheuttaa loukkaantumisen.
5. **Älä kirkota. Seiso tukevassa asennossa ja säilytä tasapainosi.** Näin säilytät sähkötyökalun hallinnan odottamattomissa tilanteissa.
6. **Pukeudu asianmukaisesti. Älä käytä löysiä vaatteita tai koruja. Pidä hiukset ja vaatteet erossa liikkuvista osista.** Löysät vaatteet, korut tai pitkät hiukset voivat tarttua liikkuviin osiin.
7. **Jos pölyn poisto- ja keräysliitäntää varten on olemassa laitteet, huolehdi siitä, että ne liitetään ja että niitä käytetään oikein.** Pölyn kerääminen vähentää pölyyn liittyviä vaaroja.
8. **Älä anna säännöllisen työkalun käyttöön tuntemuksesi vallata työllenteoasi jättämällä työkalun tärkeät turvallisuusohjeet huomioimatta.** Huolimattomuus ja laiminlyönti voivat aiheuttaa vakavia tapaturmia sekunnin murto-osissa.



9. Käytä aina suojalaseja silmiesi suojaamiseksi tapaturmia vastaan sähkökäyttöisten laitteiden käytön aikana. Suojalasiens täytyy noudattaa ANSI Z87.1 Yhdysvalloissa, EN 166 Euroopassa tai AS/NZS 1336 Australiassa / Uudessa Seelannissa olevia vaatimuksia. Australiassa / Uudessa Seelannissa on lainmukaisesti pakollista käyttää kasvosuojaimia myös kasvojen suojaamiseksi.



Työnantajien velvollisuuksiin kuuluu varmistaa, että laitteiden käyttäjät ja työpaikan välittömässä läheisyydessä olevat muut sivulliset henkilöt käyttävät asianmukaisia henkilönsuojaimia.

#### Sähkötyökalun käyttö ja hoito

1. **Älä käytä sähkötyökalua väkisin.** Käytä tarkoitukseen sopivaa sähkötyökalua. Oikea sähkötyökalu tekee työn paremmin ja turvallisemmin nopeudella, jolle se on suunniteltu.
2. **Älä käytä työkalua, jos se ei käynnisty ja sammu kytkimestä.** Sähkötyökalu, jota ei voi käyttää virtakytkimellä, on vaarallinen ja se on korjattava.
3. **Irrota virtapistoke virtalähteestä ja/tai akku sähkötyökalusta jos se on irrotettavissa, ennen minkään työkaluun kohdistuvan säätö- tai osienvaihtotoimenpiteen suorittamista, tai ennen työkalujen varastoimista.** Tällaiset ehkäisevät turvatoimet pienentävät sähkötyökalun vahingossa käynnistymisen vaaraa.
4. **Säilytä käyttämättömät sähkötyökalut poissa lasten ulottuvilta, äläkä anna sähkötyökalua tai näitä ohjeita tuntemattomien henkilöiden käyttää työkalua.** Sähkötyökalut ovat vaarallisia harjaantumattomien käyttäjien käsissä.
5. **Pidä sähkötyökaluista ja varusteista hyvää huolta.** Tarkista kaikkien liikkuvien osien liikeradat ja kiinnitykset, osien eheys sekä kaikki muu sellainen, joka voi vaikuttaa sähkötyökalun toimintaan. Jos sähkötyökalu on vahingoittunut, korjauta se ennen käyttöä. Puutteellisesti huolletut sähkötyökalut aiheuttavat usein tapaturmia.
6. **Pidä leikkaustyökalut terävinä ja puhtaina.** Oikein hoidetut leikkaustyökalut, joissa on terävät leikkausarmat, eivät takertele yhtä helposti ja niitä on helppo hallita.
7. **Käytä tätä sähkötyökalua, lisävarusteita, vaihtoteriä jne. näiden ohjeiden mukaisesti, ja ota myös huomioon työolosuhteet ja suoritettavan työn laatu.** Sähkötyökalun käyttö tarkoituksiin, joihin sitä ei ole suunniteltu, voi aiheuttaa vaaratilanteen.

8. **Pidä kahvat ja tartuntapinnat kuivina, puhtaina ja erossa öljystä ja rasvasta.** Et voi käyttää työkalua turvallisesti ja hallitusti odottamattomissa tilanteissa, mikäli kahvat ja tartuntapinnat ovat liukkaita.
9. **Älä käytä työkaluun mahdollisesti takertuvia kankaisia työkäsiineitä työkalun käytön aikana.** Kankaisten työkäsiineiden takertuminen työkalun liikkuviin osiin voi aiheuttaa henkilövahingon.

#### Akkukäyttöisen työkalun käyttö ja hoito

1. **Lataa akkua vain valmistajan määrittämällä laturilla.** Tietylle akkupaketille sopiva laturi voi aiheuttaa tulipalovaaran, jos sitä käytetään muuntotyypisen akkupaketin yhteydessä.
2. **Käytä sähkötyökaluja vain määritysten mukaisten akkujen kanssa.** Muuntotyypisten akkujen käyttäminen voi aiheuttaa loukkaantumisen- tai tulipalovaaran.
3. **Kun akku ei ole käytössä, säilytä se erillään metalliesineistä, kuten paperiliittimistä, kolikoista, avaimista, nauloista, ruuveista ja muista pienistä metalliesineistä, jotka voivat yhdistää akun navat.** Akun napojen oikosulkeminen voi aiheuttaa palovamman tai tulipalon.
4. **Akkua voi vuotaa nestettä, jos sitä käsitellään väärin. Vältä kosketusta. Jos nestettä pääsee iholle vahingossa, huuhtelee iho vedellä. Jos nestettä pääsee silmiin, hakeudu lääkärin hoitoon.** Ulos purkautunut akkuneste voi ärsyttää ihoa tai aiheuttaa palovammoja.
5. **Älä käytä viallista tai muunneltua akkua tai työkalua.** Vialliset tai muunnellut akut voivat toimia odottamattomasti aiheuttamalla tulipalo-, räjähdys- tai tapaturmavaaran.
6. **Älä altista akkua tai työkalua tulelle tai äärimmäsille lämpötiloille.** Altistus tulelle tai yli 130 °C lämpötiloille voi aiheuttaa räjähdyksen.
7. **Noudata kaikkia latausohjeita, äläkä lataa akkua tai työkalua ohjeissa määritettyjen lämpötilarajojen ulkopuolella.** Väärin tai ohjeissa määritettyjen lämpötilarajojen ulkopuolella suoritettu lataus voi aiheuttaa akkuvaurion ja kasvattaa tapaturmavaaraa.

#### Huolto

1. **Anna pätevän korjaajan huoltaa sähkötyökalusi käyttäen vain identtisiä varaosia.** Näin varmistetaan, että sähkötyökalun turvallisuus säilyy.
2. **Älä koskaan huolla viallisia akkuja.** Akkujen huolto on suoritettava ainoastaan valmistajan tai valtuutetun huoltoliikkeen toimesta.
3. **Noudata voitelu- ja lisävarusteiden vaihto-ohjeita.**

## AKKUHARJATERÄSLEIKKURIA KOSKEVAT TURVAVAROITUKSET

1. **Pidä laitteesta tiukasti kiinni sitä käytettäessä.** Huolimaton ote laitteesta voi johtaa vammautumiseen.
2. **Pidä kätesi ja kasvosuojauksesi kaukana liikkuvista osista.** Ne voivat aiheuttaa vammoja.

- Lopeta laitteen käyttö välittömästi vapauttamalla liipaisinkytkin, jos laitteessa ilmenee häiriö tai se pitää epänormaalia ääntä sitä käytettäessä. Tarkistuta ja korjauta laite valtuutetussa huoltoliikkeessä.** Ohjeen laiminlyönti voi johtaa vaurioihin tai vammoihin.
- Jos pudotat laitteen tai siihen kohdistuu isku, tarkista huolellisesti, ettei laitteen runko ole vaurioitunut, murtunut tai vääristynyt.** Tällaiset vauriot voivat johtaa vammoihin.
- Laite on sähköhydraulinen. Öljysäiliö on täytetty ennen toimitusta. Älä lisää öljyä, ellei laite toimi epänormaalisti.**
- Metallisten leikkuuterien reunat ovat terävät.** Käsittele niitä varoen haavojen välttämiseksi.
- Vaurioituneet, vääntyneet tai murtuneet terät voivat aiheuttaa vakavia onnettomuuksia ja haitata laitteen toimintaa.** Vaihda tällaiset terät välittömästi aitoihin varateriin.
- Sisältyviä litium-ioni-akkuja koskevat vaarallisten aineiden lainsäädännön vaatimukset.** Esimerkiksi kolmansien osapuolten huolintaliikkeiden tulee kaupallisissa kuljetuksissa noudattaa pakkaamista ja merkintöjä koskevia erityisvaatimuksia. Lähetettävän tuotteen valmistelu edellyttää vaarallisten aineiden asiantuntijan neuvontaa. Huomioi myös mahdollisesti yksityiskohtaisemmat kansalliset määräykset Akun voimot liittimet tulee suojata teipillä tai suojuksella ja pakkaaminen tulee tehdä niin, ettei akku voi liikkua pakkauksessa.
- Hävitä akku paikallisten määräysten mukaisesti.**
- Käytä akkuja vain Makitan ilmoittamien tuotteiden kanssa.** Akkujen asentaminen yhteensopimattomiin tuotteisiin voi aiheuttaa tulipalon, liiallisen ylikuumentumisen, räjähdysriskin tai akunestevuotoja.

## SÄILYTÄ NÄMÄ OHJEET.

### ⚠ VAROITUS:

**ÄLÄ** anna laitteen helppokäyttöisyyden (toistuvan käytön aikaansaama) johtaa sinua väärään turvallisuuden tunteeseen niin, että laiminlyöt laitteen turvaohjeiden noudattamisen. **VÄÄRINKÄYTTÖ** tai tässä käyttöohjeessa ilmoitettujen turvamääräysten laiminlyönti voi aiheuttaa vakavia henkilövahinkoja.

## Akkupakettia koskevia tärkeitä turvaohjeita

- Ennen akun käyttöönottoa tutustu kaikkiin laturissa (1), akussa (2) ja akkukäyttöisessä tuotteessa (3) oleviin varoisteksteihin.
- Älä pura akkuja.
- Jos akun toiminta-aika lyhenee merkittävästi, lopeta akun käyttö. Seurauksena voi olla ylikuumentuminen, palovammoja tai jopa räjähdys.
- Jos akunestettä pääsee silmiin, huuhtelee puhtaalla vedellä ja hakeudu välittömästi lääkärin hoitoon. Akuneste voi aiheuttaa näön menetyksen.
- Älä oikosulje akkuja.
  - Älä koske akun napoihin millään sähköä johtavalla materiaalilla.
  - Vältä akun oikosulkemista äläkä säilytä akkuja yhdessä muiden metalliesineiden, kuten naulojen, kolikoiden ja niin edelleen kanssa.
  - Älä aseta akkuja alttiiksi vedelle tai sateelle. Oikosulku voi aiheuttaa virtapiikin, ylikuumentumista, palovammoja tai laitteen rikkoontumisen.
- Älä säilytä työkalua ja akkuja paikassa, jossa lämpötila voi nousta 50 °C:een tai sitäkin korkeammaksi.
- Älä hävitä akkuja polttamalla, vaikka se olisi pahoin vaurioitunut tai täysin loppuun kulunut. Avotuli voi aiheuttaa akun räjähtämisen.
- Varo kolhimasta tai pudottamasta akkuja.
- Älä käytä viallista akkuja.

## SÄILYTÄ NÄMÄ OHJEET.

⚠ **HUOMIO:** Käytä vain alkuperäisiä Makita-akkuja. Muiden kuin aitojen Makita-akkujen, tai mahdollisesti muutettujen akkujen käyttö voi johtaa akun murtumiseen ja aiheuttaa tulipaloja, henkilö- ja omaisuusvahinkoja. Se mitätöi myös Makita-työkalun ja -laturin Makita-takuun.

### Vihjeitä akun käyttöön pidentämiseksi

- Lataa akku ennen kuin se purkautuu täysin. Lopeta aina työkalun käyttö ja lataa akku, jos huomaat työkalun tehon vähenevän.
- Älä koskaan lataa uudestaan täysin ladattua akkuja. Yliilataaminen lyhentää akun käyttöikää.
- Lataa akku huoneen lämpötilassa välillä 10 °C - 40 °C. Anna kuuman akun jäähtyä ennen lataamista.
- Lataa akkupaketti, jos et käytä sitä pitkään aikaan (yli kuusi kuukautta).

## TOIMINTOJEN KUVAUS

### ⚠ HUOMIO:

- Varmista aina ennen säätöjä ja tarkastuksia, että laite on sammutettu ja akkupaketti irrotettu.

### Akkupaketin asentaminen tai irrottaminen (kuva 1)

### ⚠ HUOMIO:

- Sammuta laite aina ennen akkupaketin kiinnittämistä tai irrottamista.
  - Pidä laitteesta ja akusta tiukasti kiinni, kun irrotat tai kiinnität akkuja.** Jos akkupaketti tai laite putoaa, ne voivat vaurioitua tai aiheuttaa tapaturman.
- Irrota akkupaketti painamalla akun etupuolella olevaa painiketta ja vetämällä akku ulos laitteesta. Akku liitetään paikalleen sovitamalla akun kieleke rungon uraan ja työntämällä se sitten paikalleen. Työnnä akkupaketti pohjaan asti niin, että kuulet sen napsahuttavan paikoilleen. Jos painikkeen yläpuolella näkyy punainen ilmaisin, akku ei ole lukkiutunut täysin paikalleen.

## ⚠️ HUOMIO:

- Työnä akku aina pohjaan asti, niin että punainen ilmaisin ei enää näy. Jos akku ei ole kunnolla paikallaan, se voi pudota laitteesta ja aiheuttaa vammoja joko sinulle tai sivullisille.
- Älä käytä voimaa akun asennuksessa. Jos akku ei liu'u paikalleen helposti, se on väärässä asennossa.

## Akun suojausjärjestelmä (tähtimerkinnällä merkitty litiumioniakku) (kuva 2)




Tähtimerkinnällä merkityssä litiumioniakussa on suojausjärjestelmä. Tämä järjestelmä pidentää akun käyttöikää katkaisemalla automaattisesti laitteen virran. Laite pysähtyy automaattisesti kesken käytön, jos laitteessa tai akussa ilmenee jokin seuraavista tilanteista:

- Ylikuormitus:  
Laitetta käytetään tavalla, joka saa sen kuluttamaan epätavallisen paljon virtaa.  
Vapauta tällöin laitteen liipaisinkytkin ja lopeta ylikuormitustilan aiheuttanut käyttö. Käynnistä sitten laite uudelleen painamalla liipaisinkytkintä.  
Jos laite ei käynnisty, akku on ylikuumentunut. Anna silloin akun jäähtyä, ennen kuin painat liipaisinkytkintä uudelleen.
- Alhainen akun jännite:  
Akun varaus on liian alhainen eikä riitä laitteen käyttämiseen. Irrota tässä tilanteessa akku ja lataa se.

## Akun jäljellä olevan varaustason ilmaisin (kuva 3)

(Maakohtainen)

Kun liipaisinkytkintä painetaan, akun jäljellä oleva varaustaso näkyy LED-näytössä seuraavassa taulukossa esitetyllä tavalla.

LED-merkkivalon tila	Akussa jäljellä oleva varaus
	Noin 50 % tai enemmän
	Noin 20 - 50 %
	Noin alle 20 %

## HUOMAUTUS:

- Akun säästämiseksi LED-näyttö sammuu noin minuutin kuluttua liipaisinkytkimen vapauttamisesta. Voit tarkastaa akun jäljellä olevan varaustason painamalla liipaisinkytkintä kevyesti.
- Jos LED-näytön valot syttyvät, mutta työkalu ei toimi, vaikka akku olisi vasta ladattu täyteen, anna työkalun jäähtyä riittävästi. Jos tilanne ei muutu, vie työkalu korjattavaksi paikalliseen Makita-huoltoon.

## TOIMINTAOHJEET

Lue kaikki turvaohjeet ja toimintaohjeet, sisäistä ne ja noudata niitä. Jos et ymmärrä ohjeita tai olosuhteet estävät asianmukaisen käytön, älä käytä laitetta. Ota yhteyttä työn valvojaan tai muuhun vastuuhenkilöön.

## ⚠️ VAROITUS:

- Ennen kuin asetat akun laitteeseen, paina liipaisinkytkintä ja vapauta se ja varmista, että liipaisinkytkin palautuu, kun vapautat sen. Moottori kytkeytyy päälle, kun liipaisinkytkintä painetaan, ja sammuu, kun liipaisinkytkin vapautetaan.

## Liipaisinlukituksen toiminta (kuva 4)

- Paina liipaisinlukitusta A-puolelta. Se vapauttaa kytkimen niin, että liipaisinta voi painaa.
- Paina liipaisinlukitusta B-puolelta. Se lukitsee kytkimen niin, että liipaisinta ei voi painaa.

## ⚠️ HUOMIO:

- Liipaisinkytkin on pidettävä lukittuna aina, kun laitetta ei käytetä.

## ⚠️ VAROITUS:

- Tarkista käyttäjän etäisyys laitteeseen aina ennen sen käyttöä ja varmista, että ympäristö on turvallinen käyttöä varten. Käytä suojalaseja ja suojavaatetusta.
- Tarkista laitteen tekniset tiedot näistä ohjeista äläkä leikkaa raudoitustankoja, joiden koko tai kovuus ylittää laitteen leikkauskapasiteetin.
- Älä leikkaa muuta materiaalia kuin raudoitustankoja. Tarkista muiden materiaalien leikkausmahdollisuus valmistajalta.

## ⚠️ VAROITUS:

- Vaihda vaurioituneet (loveentuneet, rikkoutuneet tai murtuneet) tai väänntyneet terät välittömästi. Vaurioitunut terä ei leikkaa oikein ja voi murtua tai katketa ja aiheuttaa vakavia vammoja.

## Leikkausohjeet

### ⚠️ VAROITUS:

- **Älä koskaan käytä laitetta ilman suojusta.** Muuten seurauksena voi olla vakavia vammoja. **(kuva 5)**
  - Suojus on väline, jonka tarkoitus on estää irtoavien osien osuminen käyttäjään. Se ei estä irtoavien osien sinkoutumista raudoitustangon akselin suuntaan. Valitse käyttöasento siten, että suojus estää osien osumisen käyttäjään.
  - Joissakin kuvissa ei näy suojusta, mutta tämä johtuu siitä, että kuva on otettu suojuksen sisäpuolelta. Älä koskaan käytä laitetta, jos suojus ei ole paikallaan.
1. Aseta leikattava raudoitustanko terien väliin. **(kuva 6)**  
Säädä pysäytin leikattavan raudoitustangon halkaisijan mukaiseksi niin, että raudoitustanko asettuu 90 asteen kulmaan teriin nähden. Pysäytin tukee raudoitustankoa ja pitää sen kohtisuorassa teriin nähden leikkauksen aikana. **(kuva 7)**

### **⚠️ VAROITUS:**

- Kun leikkaat raudoitustankoa, säädä pysäytin leikkattavan raudoitustangon halkaisijan mukaiseksi niin, että raudoitustanko asettuu 90 asteen kulmaan teriin nähden. Mikäli tätä säätöä ei tehdä, leikkattava kappale voi lennähtää laitteesta ja aiheuttaa vakavia vammoja käyttäjälle tai sivullisille. Tarkista käyttäjän etäisyys laitteeseen aina ennen sen käyttöä ja varmista, että laitteen käyttö on turvallista käyttäjälle ja ympäristölle.
2. Aseta raudoitustanko riittävän syvälle terien väliin siten, että se ei koske suojukseen. **(kuva 8)**

### **⚠️ VAROITUS:**

- Mikäli raudoitustanko ei ole kokonaan terien välissä, terät vaurioituvat, jolloin raudoitustanko voi lennähtää laitteesta voimalla ja aiheuttaa vakavia vammoja.

### **⚠️ VAROITUS:**

- Älä leikkaa raudoitustankoa, kun irti leikkattavan tangonkappaleen pituus on alle 200 mm. Näin lyhyiden tankojen leikkaaminen voi aiheuttaa raudoitustangon lennättämisen pois laitteesta ja johtaa vakavaan vammaan. **(kuva 9)**

### **⚠️ VAROITUS:**

- Älä leikkaa raudoitustankoa, ellei pysäytin tue sitä oikein. Pidä leikkattaessa raudoitustangosta kiinni pysäyttimen puolelta. **(kuva 10, 11)** Mikäli näin ei tehdä, leikkattava kappale voi lennähtää ja aiheuttaa vakavia vammoja käyttäjälle tai sivullisille.
3. Paina liipaisinlukitusta A-puolelta. Se vapauttaa kytkimen niin, että liipaisinta voi painaa.
  4. Aloita leikkaus painamalla liipaisinkytkintä. Leikkuutanko siirtyy eteenpäin ja alkaa leikata raudoitustankoa. Pidä kytkintä painettuna, kunnes leikkuutangon liike pysähtyy ääriasentoonsa.
  5. Vapauta liipaisinkytkin, kun leikkaus on valmis ja leikkuutanko on ääriasennossaan. Leikkuutanko palautuu automaattisesti aloitusasentoonsa. Leikkuutanko ei palaudu, jos se ei ole päässyt ääriasentoonsa. Vastaavasti leikkuutanko ei liiku eteenpäin ennen kuin se on palautunut välissä aloitusasentoonsa. Aloita seuraava leikkaus kytkintä painamalla vasta, kun leikkuutanko on palautunut aloitusasentoon ja pysähtynyt.

### **⚠️ VAROITUS:**

- Suuren vetolujuuden raudoitustankoa irti leikkattaessa leikattu osa voi lennähtää laitteesta ja aiheuttaa vakavia vammoja käyttäjälle. Käytä suojalaseja ja varmista ympäristön turvallisuus ennen laitteen käytön aloittamista.

### **⚠️ VAROITUS:**

- Pidä kätesi ja kasvosasi kaukana teristä, liikkuvista osista ja leikkuualueesta käytön aikana. Poista akku laitteesta välittömästi käytön jälkeen.

### **HUOMAUTUS:**

- Jos työkalukotelon lämpötila on suurempi kuin 70°C (160°F), työkalun toimintakapasiteetti heikkenee. Lopeta tässä tapauksessa käyttö ja salli työkalun jäähtyä.

### **HUOMAUTUS:**

- Pidä tangonpitimen päässä oleva ilmareikä puhtaana pölystä ja liasta. Ilmareikä ohjaa sisäistä painetta, joten sitä ei saa tukkia. **(kuva 12)**

### **Moottorin kiertotoiminto (kuva 13)**

Moottorin runkoa voi kiertää 360 astetta kumpaankin suuntaan käytön aikana. Tämä ominaisuus on hyödyllinen erityisesti ahtaissa tai kapeissa tiloissa työskennellessä, koska käyttäjä voi sijoittaa laitteen helpoimpaan käyttöasentoon.

### **Paluuventtiilin toiminta (kuva 14)**

Paluuventtiilin avulla leikkuutanko voidaan palauttaa aloitusasentoon, mikäli leikkausta ei saada tehtyä tai leikkuutanko jumittuu. Paluuventtiilin löysäminen puoli kierrosta vapauttaa öljynpaineen ja päästää leikkuutangon palautumaan. Sulje paluuventtiili ennen käyttöä, kun leikkuutanko on palautunut kokonaan aloitusasentoon.

## **TERIEN VAIHTAMINEN**

Jos terien leikkureunat tulee lovia tai ne murtuvat, vääntyvät tai vaurioituvat muuten, terien leikkausteho pienenee. Leikkaaminen tällaisissa olosuhteissa voi aiheuttaa lisävaurioita ja johtaa vammoihin. Terät on vaihdettava pareittain välittömästi, kun niissä havaitaan vaurioita.

### **⚠️ VAROITUS:**

- Kun vaihdat terät, estä laitteen käynnistymisen vahingossa poistamalla akku laitteesta.

Varmista, että tangonpidikkeen terä A ja leikkuutangon terä B asetetaan oikein päin. **(kuva 15)**

1. Avaa ja poista terien A ja B kiinnityspultit ja aluslevyt.
2. Työhdistä pinnat, joille uudet terät asennetaan.
3. Aseta terä A tangonpidikkeeseen ja terä B leikkuutankoon. Aseta pultit aluslevyineen paikoilleen ja kiristä ne tiukasti.

### **⚠️ VAROITUS:**

- Terän A ja terän B kiinnityspulttien kiristys on tarkistettava säännöllisesti. Jos pultit löystyvät, terät voivat vahingoittaa ja aiheuttaa vammoja.

## Vaihtoterien tyyppi ja irrottaminen (kuva 16)

Kiinnityspultit on kiristettävä tiukasti.  
Varmista säännöllisesti, että terä on kiristetty asianmukaisesti.

Vaihtoterän koko

●Tarkista laitemallille sopivat terät tästä taulukosta.

Malli	A (asennus tangonpidikkeeseen)	B (asennus leikkuutankoon)
DSC163 (ø3–ø16)	22 × 17 × 9 mm (pulttikoko 5 mm)	22 × 17 × 8 mm (pulttikoko 5 mm)

### HUOMAUTUS:

- Käytä vain aitoja Makitan teriä.

## ÖLJYN LISÄÄMINEN

Tämä akkuharjateräseleikkuri on sähköhydraulinen laite. Se toimitetaan tehtaalta öljyllä täytettynä. Älä yritä lisätä öljyä, jos laite toimii normaalisti. Öljyn määrä laskee ajan kuluessa. Lopulta se alkaa näkyä laitteen suorituskyvyn huomattavana heikentymisenä. Kun näin käy, lisää öljyä seuraavien ohjeiden mukaisesti.

1. Aseta raudoitustanko terien väliin ja paina liipaisinkytkintä.
2. Pysäytä laite vapauttamalla liipaisinkytkin juuri leikkausliikkeen ääriasentoa.
3. Poista akku laitteesta, jotta terät eivät pääse liikkumaan vahingossa.
4. Irrota öljyntäyttöaukon tulppana toimiva pultti (SB10x15). Lisää öljyä. Varo, ettei öljyä roisku moottoriin.
5. Aseta pultti (SB10x15) paikalleen ja kiristä se tiukasti.
6. Aseta akku takaisin laitteeseen ja tee leikkaus loppuun.
7. Toista nämä vaiheet useita kertoja, kunnes öljyn määrä pysyy oikealla tasolla.

### ⚠HUOMIO:

- Käytä laitteessa vain puhdasta, Makitan suosittelemaa hydraulioöljyä. Suositeltuja öljyjä ovat Makitan toimittama hydraulioöljy Super Hyrando #46 (JX Nippon Oil & Energy Corp.), Shell Tellus Plus #46 (USA:n Shell) ja teknisiltä ominaisuuksiltaan vastaavat ISO-viskositeettiluokan 46 hydraulioöljyt, joilla on kulumista ehkäisevät ominaisuudet. Älä käytä muita öljyjä, sillä ne saattavat vahingoittaa tiivisteitä ja muita sisäisiä koneiston osia.

# VIANMÄÄRITYS

## ⚠ VAROITUS:

- Irrota akku ennen laitteen käsittelemistä.

ONGELMA	SYY	RATKAISU
Leikkuutanko ei liiku eteenpäin.	Öljyn puute	Lisää öljyä. (Katso ”Öljyn lisääminen”)
	Leikkuutanko ei ole palautunut täysin, koska leikkuutangon ja tangonpidikkeen väliin on kertynyt likaa.	Työnnä leikkuutanko alkuasentoonsa manuaalisesti. Poista lika ja puhdista
	Leikkuutanko ei ole palautunut täysin, koska leikkuutanko on vahingoittunut.	Vaihda leikkuutanko.
	Leikkuutanko ei ole palautunut täysin, koska terät ovat löystyneet tai vahingoittuneet.	Kiristä terien pultit. Vaihda terät
	Leikkuutanko ei ole palautunut täysin heikon palautusjousen takia.	Vaihda palautusjousi.
Teho ei riitä raudoitustangon leikkaamiseen.	Öljyn puute.	Lisää öljyä. (Katso ”Öljyn lisääminen”)
	Paluuventtiilin istukka ei ole paikallaan tai se on vaurioitunut.	Puhdista paluuventtiilin kärki ja istukka. Poista istukan naarmut.
	Paluuventtiili on vaurioitunut.	Vaihda.
	Sylinterin ja männän vällys on virheellinen.	Vaihda mäntä (huomautus: saatavana on erikokoisia mäntiä)
	Sulkuventtiilin istukka ei ole paikallaan tai se on vaurioitunut.	Puhdista sulkuventtiili ja istukka. Vaihda.
	Ureaanitiiviste on vaurioitunut tai rikkoutunut.	Vaihda.
Öljyvuoto.	Öljytason säädinkalvo on vaurioitunut tai rikkoutunut.	Vaihda.
	Leikkuutanko/tangonpidike tai O-rengas on vaurioitunut; leikkuutangon/tangonpidikkeen pinta on naarmuuntunut tai uriintunut.	Vaihda varmistusrenkas ja O-rengas. Vaihda leikkuutanko/tangonpidike
	Sylinterin/tangonpidikkeen O-rengas on vaurioitunut	Vaihda O-rengas.
	Sylinterin/pumppukotelon tiiviste on vaurioitunut.	Vaihda tiiviste B.
	Tangonpidikkeen/sylinterin/pumppukotelon laipan pultit ovat löysällä.	Kiristä pultit.
Moottori ei liiku. Moottori liikkuu hitaasti tai epätasaisesti.	Jännite on väärä.	Lataa akku.
	Akku on käyttöikänsä lopussa.	Vaihda akku.
	Ylikuumentuminen on vaurioittanut DC-moottoria.	Vaihda DC-moottori.
	DC-moottorin laakerit tai hammaspyörät ovat vaurioituneet tai rikkoutuneet.	Vaihda laakerit tai hammaspyörät.

## HUOMAUTUS:

- Pumpun ja männän alueen sisäisten osien toleranssit ovat hyvin pienet ja pöly, lika, hydraulineste tai virheellinen käsittely vaurioitava osia helposti. Pumppukotelon purkamiseen tarvitaan erikoistyökaluja ja -koulutusta, joten sen saa tehdä vain valtuutettu korjaaja, jolla on asianmukainen koulutus ja oikeat työkalut. Sähköosien virheellinen huolto voi aiheuttaa olosuhteet, jotka voivat johtaa vakaviin henkilövahinkoihin. Pumpun ja männän osat ja kaikki sähköosat saa huoltaa vain valtuutetussa korjaamossa, jälleenmyyjällä tai jakelijalla.

# KUNNOSSAPITO

## HUOMIO:

- Varmista aina ennen tarkastusta tai huoltoa, että laite on sammutettu ja akku irrotettu.
- Älä koskaan käytä bensiiniä, ohenteita, alkoholia tai tms. aineita. Muutoin laitteeseen voi tulla värjäytymiä, muodon vääristymiä tai halkeamia.

Laitteen TURVALLISUUDEN ja LUOTETTAVUUDEN säilyttämiseksi korjaukset sekä muut huoltotoimet ja säädöt on jätettävä Makitan valtuuttaman huollon tehtäväksi käyttäen aina Makitan alkuperäisiä varaosia.

# LISÄVARUSTEET

## HUOMIO:

- Seuraavia lisävarusteita tai laitteita suositellaan käytettäväksi tässä ohjeessa kuvatun Makita-laitteen kanssa. Muiden lisävarusteiden tai laitteiden käyttö voi aiheuttaa henkilövahinkoja. Käytä lisävarusteita ja -laitteita vain niiden käyttötarkoituksen mukaisesti.

Jos tarvitset apua tai yksityiskohtaisempia tietoja seuraavista lisävarusteista, ota yhteys paikalliseen Makitan huoltoon.

- Aito Makita-akku ja -laturi

## HUOMAUTUS:

- Jotkin luettelossa mainitut varusteet voivat sisältyä laitetöimitukseen vakiovarusteina. Ne voivat vaihdella maittain.

## Pārskata skaidrojums

- |                         |                                |                                 |
|-------------------------|--------------------------------|---------------------------------|
| 1. Sarkanais indikators | 10. Aizsargs                   | 19. B asmens (plānāks asmens)   |
| 2. Poga                 | 11. Armatūra                   | 20. Skrūve (garāka)             |
| 3. Akumulatora kasetne  | 12. Asmeņi                     | 21. Skrūve (īsāka)              |
| 4. Zvaigznes simbols    | 13. Aizturis                   | 22. Paplāksne                   |
| 5. LED indikators       | 14. Vairāk par 200 mm          | 23. Stieņa turētājs             |
| 6. Slēdža bloķētājs     | 15. Gaisa atvere               | 24. Griezējstienis              |
| 7. Slēdža mēlīte        | 16. Sešstūru uzgriežņu atslēga | 25. A asmens uz stieņa turētāja |
| 8. A puse               | 17. Atgriešanās vārsts         | 26. B asmens uz griezējstieņa   |
| 9. B puse               | 18. A asmens (biezāks asmens)  | 27. Rezerves asmeņi             |

## TEHNISKIE DATI

Modelis	DSC163
Maks. griešanas spēja (diametrs mm)	16 mm
40. pakāpe–60. pakāpe	
40. pakāpe: stiepes izturība 490 N/mm <sup>2</sup> 70 000 PSI	
60. pakāpe: stiepes izturība 620 N/mm <sup>2</sup> 90 000 PSI	
Griešanas ātrums	2,8 sekundes
Kopējais garums	360 mm
Neto svars	6,9 kg
Nominālais spriegums	Līdzstrāva 18 V

- Mūsu pētniecības un izstrādes programmas darbs nemiīgi turpinās, tāpēc šeit norādītie tehniskie dati var tikt mainīti bez brīdinājuma.
- Tehniskie dati un akumulatora kasetne dažādās valstīs var atšķirties.
- Svars ar akumulatora kasetni atbilstošs EPTA procedūrai 01/2014

### Piemērotā akumulatora kasetne

BL1830 / BL1830B / BL1840 / BL1840B / BL1850 / BL1850B / BL1860B

- Dažas no iepriekš norādītajām akumulatora kasetnēm var nebūt pieejamas atkarībā no jūsu mītnes reģiona.

### ⚠ BRĪDINĀJUMS

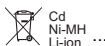
- Izmantojiet vienīgi iepriekš norādītās akumulatora kasetnes. Cita tipa akumulatora kasetņu izmantošana var radīt traumu un/vai aizdegšanās risku.

## Simboli

Tālāk ir attēloti simboli, kas attiecas uz darbarīka lietošanu. Pirms darbarīka izmantošanas pārlicinieties, vai pareizi izprotat to nozīmi.



..... Izlasiet lietošanas rokasgrāmatu.



..... Tikai ES valstīm

Neizmetiet elektroiekārtas vai akumulatoru mājamsaimniecības atkritumos!

Saskaņā ar Eiropas direktīvām par nolietotām elektriskām un elektroniskām iekārtām, kā arī par baterijām un akumulatoriem un nolietotām baterijām un akumulatoriem un šo direktīvu ieviešanu atbilstīgi valsts likumdošanai, elektriskās iekārtas, baterijas un akumulatori to darbību beigās jāsavāc atsevišķi un jānogādā vidi saudzējošā otrreizējās pārstrādes uzņēmumā.

### Paredzētā lietošana

Darbarīks ir paredzēts armatūras griešanai.

### Trokšņa līmenis

Tipveida A-izsvartais skaņas līmenis noteikts saskaņā ar standartu EN60745-1:

Skaņas spiediena līmenis (LpA): 78 dB (A)

Mērījuma nenoteiktība (K): 3 dB (A)

Darbības laikā trokšņa līmenis var pārsniegt 80 dB (A).

### Lietojiet ausu aizsargus

### Vibrācija

Vibrācijas kopējā vērtība (trīs asu vektora summa)

noteikta saskaņā ar standartu EN60745-1:

Darba režīms: armatūras griešana

Vibrāciju emisija (a<sub>H</sub>): 2,5 m/s<sup>2</sup> vai mazāk

Mērījuma nenoteiktība (K): 1,5 m/s<sup>2</sup>

- Paziņotā vibrācijas emisijas vērtība noteikta atbilstoši standarta pārbaudes metodei, un to var izmantot, lai savstarpēji salīdzinātu darbarīkus.



- Paziņoto vibrācijas emisijas vērtību arī var izmantot iedarbības sākotnējā novērtējumā.

### **⚠ BRĪDINĀJUMS**

- Lietojot elektrisko darbarīku darba apstākļos, vibrācijas emisija var atšķirties no paziņotās emisijas vērtības atkarībā no darbarīka izmantošanas veida.
- Lai aizsargātu lietotāju, nosakiet drošības pasākumus, kas balstīti uz iedarbību reālos darba apstākļos (ņemot vērā visus ekspluatācijas cikla posmus, piemēram, laiku, kamēr darbarīks ir izslēgts un kad darbojas tukšgaitā, kā arī palaides laiku).

## **EK atbilstības deklarācija**

### **Tikai Eiropas valstīm**

EK atbilstības deklarācija šajā lietošanas rokasgrāmatā ir iekļauta kā A pielikums.

## **Vispārīgi elektrisko darbarīku drošības brīdinājumi**

**⚠ BRĪDINĀJUMS** Izlasiet visus drošības brīdinājumus, instrukcijas, apskatiet ilustrācijas un tehniskos datus, kas iekļauti mehanizētā darbarīka komplektācijā. Ja netiek ievēroti visi tālāk minētie noteikumi, var tikt izraisīta elektrotrauma, notikt aizdegšanās un/vai rasties smagas traumas.

## **Glabājiet visus brīdinājumus un norādījumus, lai varētu tajos ieskatīties turpmāk.**

Termins „elektrisks darbarīks” brīdinājumus attiecas uz tādu elektrisko darbarīku, ko darbina ar elektrību (ar vadu), vai tādu, ko darbina ar akumulatoru (bez vada).

### **Darbavietas drošība**

1. **Uzturiet darbavietu tīru un nodrošiniet labu apgaismojumu.** Nekārtīga vai slikti apgaismota darbavietā var izraisīt negadījumus.
2. **Nelietojiet mehanizētos darbarīkus sprādziendrošās vidēs, piemēram, uzliesmojošo šķidrumu, gāzu vai putekļu klātbūtnē.** Mehanizētie darbarīki ģenerē dzirksteles, kuras var uzliesmot putekļus vai iztvaikojumus.
3. **Neļaujiet bērniem un nepiederošām personām atrasties darbavietas tuvumā.** Uzmanības novēršana var izraisīt kontroles zaudēšanu.

### **Elektriskā drošība**

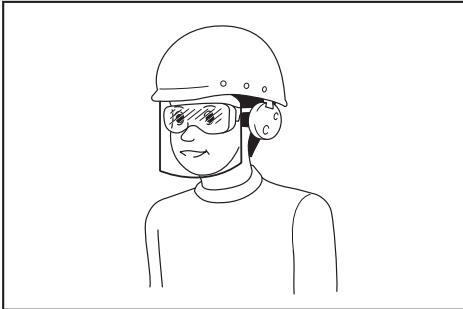
1. **Mehanizētā darbarīka kontaktdakšai jāatbilst kontaktlīdzdai.** Nekad un nekādā veidā nemedificējiet kontaktdakšus. Neizmantojiet nekādas pārejas kontaktdakšas ar izņemtiem mehanizētajiem darbarīkiem. Nemedificētas kontaktdakšas un atbilstošas kontaktlīdzgidas samazina elektriskā trieciena risku.
2. **Izvairieties no pieskaršanās izņemtām virsmām, piemēram, caurulēm, radiatoriem un ledusskapjiem.** Ja jūsu ķermenis ir izņemts, tad rodas palielināts elektriskā trieciena risks.

3. **Neatstājiet mehanizētos darbarīkus lietū vai mitruma apstākļos.** Ūdens nokļūšana elektriskajā darbarīkā palielinās elektriskā trieciena risku.
4. **Lietojiet vadu pareizi.** Nekad nesiesiet elektrisko darbarīku, turot aiz vada, neraujiet aiz vada, lai izņemtu kontaktdakšus no kontaktlīdzgidas. **Sargājiet vadu no siltuma avotiem, eļļas, asām malām un kustīgajām detaļām.** Bojāti vai sapīti vadi paaugstina elektriskā trieciena risku.
5. **Kad elektriskais darbarīks tiek lietots ārā, izmantojiet tikai tādus pagarinājuma vadus, kuri paredzēti lietošanai ārā.** Āra apstākļos lietošana paredzēta vada izmantošana samazina elektriskā trieciena risku.
6. **Ja nevar novērst elektriskā darbarīka izmantošanu mitrā vidē, izmantojiet strāvas aizsardzības ierīces (RCD (Residual Current Device)) aizsargātu barošanas avotu.** RCD ierīces izmantošana mazina elektriskās strāvas trieciena bīstamību.
7. **Mehāniskie darbarīki var radīt lietotājam nekaitīgus elektromagnētiskos laukus (EML).** Taču lietotājiem ar elektrokardiostimulatoriem un līdzīgām medicīniskām ierīcēm ir jāsazinās ar attiecīgo ierīču ražotājiem un/vai ārstu, pirms šī mehāniskā darbarīka izmantošanas.

### **Personiskā drošība**

1. **Elektriskā darbarīka lietošanas laikā esiet uzmanīgi, sekojiet savai darbībai, rīkojieties prātīgi. Nelietojiet elektrisko darbarīku, ja esat noguruši, kā arī narkotiku, alkohola un medikamentu ietekmē.** Neuzmanības mirklis mehanizētā darbarīka lietošanas laikā var izraisīt smagas traumas gūšanu.
2. **Izmantojiet individuālos aizsardzības līdzekļus. Vienmēr lietojiet aizsargbrilles.** Attiecīgos apstākļos lietojot aizsarglīdzekļus, piemēram, putekļu masku, aizsargapavus ar nesliedošu zoli, aizsargķiveri un ausu aizsargus, mazināsies traumu risks.
3. **Nepieļaujiet nejašu iedarbināšanu. Pirms darbarīka pievienošanas strāvas avotam un/vai akumulatoram, pirms tā pacelšanas un pārnēsāšanas pārliecinieties, ka slēdzis atrodas izslēgšanas stāvoklī.** Elektrisko darbarīku pārnēsāšana, novietojot pirkstu uz slēdža vai strāvas ieslēgšanas rīkiem, var izraisīt negadījumus.
4. **Neņemiet uzgriežņu atslēgas un regulēšanas instrumentus pirms elektriskā darbarīka ieslēgšanas.** Elektriskā darbarīka kustīgajai daļai piestiprināta uzgriežņu atslēga var izraisīt traumu.
5. **Nesniedzieties pārāk tālu. Vienmēr stingri stāviet uz piemērota atbalsta un saglabājiet līdzsvaru.** Tas nodrošinās labāku kontroli pār elektrisko darbarīku neparedzētās situācijās.
6. **Apģērbieties atbilstīgi. Nevalkājiet vaļīgu apģērbu un rotaslietas.** Turiet matus un apģērbu drošā attālumā no darbarīka kustīgajām daļām. Vaļīgs apģērbs, rotaslietas un gari mati var ieķerties kustīgajās daļās.
7. **Ja darbarīkam ir savienojuma vieta putekļu atsūkņēšanas un savākšanas ierīces pievienošanai, pārliecinieties, ka tā ir pievienota un pareizi izmantota.** Putekļu savākšanas ierīces izmantošana var samazināt ar putekļiem saistītus riskus.

8. Darbarīka ilgstošas izmantošanas gaitā iekrātās piederdes dēļ neļaujieties pašapmierinātībai — neignorējiet darbarīka drošas lietošanas principus. Neuzmanīga darbība var acumirklī radīt smagu traumu.
9. Kad izmantojat mehāniskos darbarīkus, vienmēr valkājiet aizsargbrilles, lai pasargātu acis. Aizsargbrillēm jāatbilst šādiem standartiem: ANSI Z87.1 ASV, EN 166 Eiropā un AS/NZS 1336 Austrālijā/Jaunzēlandē. Austrālijā/Jaunzēlandē ar likumu noteikts, ka darba laikā jāizmanto arī sejsargs.



Darba devējam ir jānodrošina tas, lai darbarīka operatori un citas tiešajā darba vietā esošās personas izmantotu vajadzīgo aizsargaprīkojumu.

#### Mehanizētā darbarīka lietošana un apkope

1. Nelietojiet elektrisko darbarīku ar spēku. Izmantojiet elektrisko darbarīku, kas atbilst pielietojuma veidam. Atbilstošs elektriskais darbarīks veiks darbu labāk, ātrāk un ar paredzētu ražīgumu.
2. Nelietojiet elektrisko darbarīku, ja slēdzis to neieslēdz un neizslēdz. Jebkurš elektriskais darbarīks, kuru nevar vadīt ar slēdža palīdzību, ir bīstams, un tas ir jāremontē.
3. Pirms mehanizēto darbarīku regulēšanas, piederumu maiņas vai uzglabāšanas atvienojiet barošanas kabeļa spraudni no barošanas avota un/vai izņemiet akumulatora bloku, ja to var izņemt. Šādi piesardzības pasākumi nepieļaus mehanizētā darbarīka nejausu ieslēgšanu.
4. Glabājiet elektriskos darbarīkus bērniem nepieejamā vietā un neļaujiet darbarīku lietot personām, kuras nav apmācītas to lietošanai vai nezina šos norādījumus. Neapmācītu lietotāju rokās elektriskie darbarīki ir bīstami.
5. Veiciet mehanizēto darbarīku un piederumu apkopi. Pārbaudiet, vai kustīgās daļas ir pareizi savienotas un nostiprinātas, vai detaļas nav bojātas, kā arī vai nav kāds cits apstāklis, kas var ietekmēt mehanizēto darbarīku darbību. Ja mehanizētais darbarīks ir bojāts, pirms lietošanas tas jāsamontē. Daudz negadījumu iemesls ir slikti uzturēti mehanizēto darbarīku lietošana.
6. Regulāri uzasiniet un tīriet griešanas instrumentus. Pareizi koptu instrumentu ar asām griezējšķautnēm iestrēgšanas risks ir mazāks un tos ir vieglāk vadīt.

7. Izmantojiet elektrisko darbarīku, uzgaļus un citus piederumus saskaņā ar šiem norādījumiem, ņemot vērā darba apstākļus un veicamo darbu specifiku. Elektrisko darbarīku izmantošana neparedzētiem nolūkiem var radīt bīstamas situācijas.
8. Uzturiet rokturus un satveršanas virsmas sausas un tīras; gādājiet, lai uz tām nebūtu eļļas un smērvielu. Slideni rokturi un satveršanas virsmas neļaus droši lietot un vadīt mehanizēto darbarīku neparedzētās situācijās.
9. Darba laikā nevelciet auduma darba cimdus, kas var iepīties darbarīkā. Ja auduma darba cimdi iepinas kustīgajās detaļās, tas var radīt traumas.

#### Bezvada darbarīka lietošana un apkope

1. Uzlādei izmantojiet tikai ražotāja norādītos lādētājus. Vienam akumulatoru tipam paredzēta uzlādētāja izmantošana cita tipa akumulatoru uzlādei var radīt aizdegšanās bīstamību.
2. Izmantojiet mehanizētos darbarīkus tikai ar paredzētajiem akumulatoriem. Jebkura cita tipa akumulatoru izmantošana var radīt traumu un aizdegšanās bīstamību.
3. Kamēr akumulators netiek izmantots, neturiet to blakus metāla priekšmetiem, piemēram, saspraudēm, monētām, atslēgām, naglām, skrūvēm un citiem nelieliem metāla priekšmetiem, kas var savienot izvadus. Akumulatora spaiļu īssavienojums var izraisīt apdegumus vai aizdegšanos.
4. Nepareizas lietošanas gadījumā no akumulatora var iztect šķidrums, nepieskarieties tam. Ja nejausi pieskārāties šķidrumam, noskalojiet skarto vietu ar ūdeni. Ja šķidrums nokļūst acīs, papildus iepriekš minētajam, vērsieties pie ārsta. No akumulatora iztecejušais šķidrums var izraisīt kairinājumu vai apdegumus.
5. Ja akumulatora bloks vai darbarīks ir bojāts vai pārveidots, nelietojiet to. Bojāti vai pārveidoti akumulatori var darboties nepareizi, izraisot aizdegšanos, sprādzienu vai traumu.
6. Akumulatora bloku un darbarīku nepakļaujiet uguns un pārmērīgi augstas temperatūras ietekmei. Ja akumulatora bloks vai darbarīks tiek pakļauts uguns vai par 130 °C augstākas temperatūras iedarbībai, var notikt sprādziens.
7. Izpildiet visus uzlādes norādījumus un neuzlādējiet akumulatora bloku ārpus norādītajiem noteiktā temperatūras diapazona. Nepareiza uzlāde vai temperatūra, kas ir ārpus noteiktā diapazona, var sabojāt akumulatoru un palielināt aizdegšanās draudus.

#### Apkope

1. Uziciet sava elektriskā darbarīka apkopi kvalificētam remontstrādniekam, izmantojiet tikai identiskas rezerves daļas. Tas garantēs to, ka elektriskā darbarīka drošības pakāpe nesamazināsies.
2. Nekādā gadījumā nelietojiet bojātus akumulatora blokus. Akumulatora bloka apkopi drīkst veikt tikai to ražotājs vai pilnvaroti apkopes centri.
3. Ievērojiet eļļošanas un piederumu maiņas norādījumus.

# AKUMULATORA ARMATŪRAS KNAIBĻU DROŠĪBAS NORĀDĪJUMI

1. Darbarīka lietošanas laikā satveriet to cieši. Ja darbarīks netiek turēts cieši, var gūt traumas.
2. Turiet rokas un seju drošā attālumā no kustīgām daļām. Tās var izraisīt traumas.
3. Ja darbarīka izmantošanas laikā atskan neparasti trokšņi vai tas darbojas kļūdaini, nekavējoties atļaidiet slēdža mēlīti, lai pārtrauktu darbību. Pārbaudiet un salabojiet darbarīku pilnvarotā apkopes centrā. Citādi iespējams bojājumu vai traumu risks.
4. Ja darbarīks tiek nomests vai saņem triecienu, rūpīgi pārbaudiet, vai darbarīka korpus nav bojāts, iepļisījis vai deformējies. Šāda veida bojājumi var izraisīt traumas.
5. Šis ir elektrohidraulisks darbarīks. Eļļas tvertne pirms pārdošanas tiek uzpildīta. Papildu eļļu lejiet tikai tad, ja darbarīks darbojas neparasti.
6. Metāla griezējasmeņiem ir asas malas. Rīkojoties ar tiem uzmanīgi, lai nesagrieztos.
7. Bojāti, deformēti vai ieplaisājuši asmeņi var izraisīt nopietnus negadījumus, kā arī liegt darbarīka izmantošanu. Nekavējoties aizstājiet tos ar jauniem oriģināliem asmeņiem.

## SAGLABĀJIET ŠOS NORĀDĪJUMUS.

### ⚠ BRĪDINĀJUMS

Šī izstrādājuma drošības noteikumi ir stingri JĀIEVĒRO arī tad, ja jums ir labas iemaņas un jūs labi pārzināt darbarīku (ja lietojat to jau atkārtoti). NEPAREIZI LIETOJOT darbarīku vai neievērojot šajā instrukciju rokasgrāmatā minētos drošības noteikumus, var tikt gūtas smagas traumas.

## Svarīgi drošības norādījumi par akumulatora kasetni

1. Pirms akumulatora lietošanas izlasiet visus norādījumus un brīdinājumus, kuri attiecas uz (1) akumulatora lādētāju, (2) akumulatoru un (3) ierīci, kurā tiek izmantots akumulators.
2. Neizjauciet akumulatoru.
3. Ja akumulatora darbības laiks kļūva ievērojami īsāks, nekavējoties pārtrauciet to izmantot. Citādi, tas var izraisīt pārkarsējumu, uzliesmojumu vai pat sprādzienu.
4. Ja elektrolīts nonāk acīs, izskalojiet tās ar tīru ūdens un nekavējoties griezties pie ārsta. Tas var izraisīt redzes zaudēšanu.
5. Neradiet īssavienojumu akumulatora kasetnē:
  - 1) Nepieskarieties spailēm ar elektrību vadošiem materiāliem.
  - 2) Neuzglabājiet akumulatoru kasetni kopā ar citiem metāla priekšmetiem, tādēļ kā naglas, monētas u. c.

- 3) Nepakļaujiet akumulatora kasetni ūdens vai lietus iedarbībai.

Akumulatora īssavienojums var radīt spēcīgu strāvas plūsmu, pārkaršanu, uzliesmojumu un pat sabojāt akumulatoru.

6. Neglabājiet darbarīku un akumulatora kasetni vietās, kur temperatūra var sasniegt vai pārsniegt 50 °C (122 °F).
7. Nededziniet akumulatora kasetni, pat ja tā ir stipri bojāta vai pilnībā nolietota. Akumulatora kasetne ugunī var eksplodēt.
8. Uzmanieties, lai neļautu akumulatoram nokrist un nepakļautu to sitienam.
9. Neizmantojiet bojātu akumulatoru.
10. Uz izmantotajiem litija jonu akumulatoriem attiecas likumdošanas prasības par bīstamiem izstrādājumiem.  
Komerציālā transportēšanā, ko veic, piemēram, trešās puses, transporta uzņēmumi, jāievēro uz iesaiņojuma un marķējuma norādītās īpašās prasības.  
Lai izstrādājumu sagatavotu nosūtīšanai, jāsazinās ar bīstamo materiālu speciālistu. Ievērojiet arī citus attiecināmos valsts normatīvus.  
Vajējus kontaktus nosedziet ar līmlenti vai citādi pārklājiet, bet akumulatoru iesaiņojiet tā, lai sainī tas nevarētu izkustēties.
11. Ievērojiet vietējos noteikumus par akumulatora likvidēšanu.
12. Izmantojiet šos akumulatorus tikai ar izstrādājumiem, kurus norādījis Makita. Ievietojot šos akumulatorus nesaderīgos izstrādājumos, var rasties ugunsgrēks, pārmērīgs karstums, tie var uzsprāgt vai no tiem var iztect elektrolīts.

## SAGLABĀJIET ŠOS NORĀDĪJUMUS.

### ⚠ UZMANĪBU Lietojiet tikai oriģinālos Makita

akumulatorus. Ja lietojat neoriģinālus Makita akumulatorus vai pārveidotus akumulatorus, tie var uzsprāgt un izraisīt aizdegšanos, traumas un materiālos zaudējumus. Tīks anulēta arī Makita darbarīka un lādētāja garantija.

## Ieteikumi akumulatora kalpošanas laika pagarināšanai

1. Uzlādējiet akumulatora kasetni, pirms tā ir pilnībā izlādējusies. Vienmēr, kad ievērojāt, ka darbarīka darba jauda zudusi, apturiet darbarīku un uzlādējiet akumulatora kasetni.
2. Nekad neuzlādējiet pilnībā uzlādētu akumulatora kasetni. Pārmērīga uzlāde saīsina akumulatora kalpošanas laiku.
3. Uzlādējiet akumulatora kasetni istabas temperatūrā 10 °C - 40 °C. Karstai akumulatora kasetnei pirms uzlādes ļaujiet atdzist.
4. Uzlādējiet litija jonu akumulatora kasetni, ja to ilgstoši nelietosit (vairāk nekā sešus mēnešus).

## FUNKCIJU APRAKSTS

### ⚠ UZMANĪBU

- Pirms darbarīka regulēšanas vai tā darbības pārbaudes vienmēr pārliecinieties, ka darbarīks ir izslēgts un akumulatora kasetne ir atvienota.

## Akumulatora kasetnes uzstādīšana un atvienošana (1. att.)

### ⚠ UZMANĪBU

- Vienmēr pirms akumulatora kasetnes uzstādīšanas vai atvienošanas izslēdziet darbarīku.
- **Uzstādot vai atvienojot akumulatora kasetni, darbarīku un akumulatora kasetni turiet cieši.** Ja darbarīku un akumulatora kasetni netur cieši, tie var izkrist no rokām un radīt bojājumus darbarīkam un akumulatora kasetnei, kā arī radīt traumas.

Lai atvienotu akumulatora kasetni, izvelciet to no darbarīka, pārīdodot kasetnes priekšpusē esošo pogu. Lai uzstādītu akumulatora kasetni, salāgojiet akumulatora kasetnes mēlīti ar rievu ietvarā un iebīdīiet to vietā. Ievietojiet to līdz galam, līdz tā ar klikšķi nofiksējas. Ja pogas augšējā daļā redzams sarkans indikators, tas nozīmē, ka tā nav pilnīgi nofiksēta.

### ⚠ UZMANĪBU

- Akumulatora kasetni vienmēr ievietojiet pilnībā, lai nav redzams sarkanais indikators. Pretējā gadījumā tā var nejauši izkrist no darbarīka un izraisīt jums vai apkārtējiem traumas.
- Neievietojiet akumulatora kasetni ar spēku. Ja kasetne neslīd ietvarā viegli, tā nav pareizi ielikta.

## Akumulatora aizsardzības sistēma (litija jonu akumulators ar zvaigznes emblēmu) (2. att.)

Litija jonu akumulatori ar zvaigznes emblēmu ir aprīkoti ar aizsardzības sistēmu. Šī sistēma automātiski pārtrauc darbarīka barošanu, lai paildinātu akumulatora darbmūžu.




Darbarīka darbība tiks automātiski apturēta, ja darbarīku un/vai akumulatoru pakļaus kādam no tālāk minētajiem apstākļiem.

- Pārslodze  
Darbarīku ekspluatācijas laikā lieto tādā veidā, ka tam vajadzīgs pārmērīgi liels strāvas daudzums. Šādā gadījumā atļaidiet darbarīka slēdža mēlīti un pārtrauciet darbību, kas izraisīja darbarīka pārslodzi. Pēc tam vēlreiz nospiediet slēdža mēlīti, lai atsāktu darbu.  
Ja darbarīks neieslēdzas, akumulators ir pārkaršis. Šādā gadījumā ļaujiet akumulatoram atdzist, pirms vēlreiz spiežat slēdža mēlīti.
- Zems akumulatora spriegums  
Akumulatora uzlādes līmenis ir pārāk zems, un darbarīks nedarbosies. Šādā gadījumā atvienojiet akumulatoru un uzlādējiet to.

## Atlikušās akumulatora jaudas indikators (3. att.)

(Atkarībā no valsts)

Nospiežot slēdža mēlīti, gaismas diožu ekrānā redzama akumulatora atlikusī jauda, kā norādīts tabulā.

LED indikatora statuss	Atlikusī akumulatora jauda
	Apmēram 50 % vai vairāk
	Apmēram 20-50 %
	Mazāk nekā apmēram 20 %

### PIEZĪME.

- Gaismas diožu ekrāns izdzīst apmēram vienu minūti pēc slēdža mēlītes atlaišanas, lai taupītu akumulatora jaudu. Lai pārbaudītu atlikušo akumulatora jaudu, viegli nospiediet slēdža mēlīti.
- Ja gaismas diožu ekrāns izgaismojas nepārtraukti, bet darbarīks nedarbojas pat ar uzlādētu akumulatora kasetni, pilnībā atdzesējiet darbarīku. Ja nekas nemainās, nelietojiet darbarīku un nododiet to labošanai vietējā Makita apkopes centrā.

## DARBĪBAS PROCESS

Izlasiet, izprotiet un ievērojiet visas drošības un darba procedūru norādes. Ja neizprotat instrukcijas vai apstākļi nav piemēroti pareizai darbībai, neizmantojiet darbarīku. Konsultējieties ar darbu vadītāju vai jebkuru citu atbildīgo personu.

### ⚠ BRĪDINĀJUMS

- Pirms ievietojat akumulatoru darbarīkā, nospiediet un atļaidiet slēdža mēlīti, lai pārliecinātos, ka tā atgriezās savā vietā.

Kad slēdža mēlīte ir nospiesta, motors darbojas; kad slēdža mēlīte ir atbrīvota, motors ir izslēgts.

## Slēdža bloķēšana (4. att.)

- Nospiediet slēdža bloķētāju A pusē. Slēdzis tiek atbrīvots, un mēlīti var izmantot.
- Nospiediet slēdža bloķētāju B pusē. Slēdzis tiek nobloķēts, un mēlīti vairs nevar izmantot.

### ⚠ UZMANĪBU

- Kad darbarīks netiek lietots, slēdža mēlītei vienmēr jābūt bloķētai.

### ⚠ BRĪDINĀJUMS

- Pirms darba sākšanas, izvērtējiet, vai operatora novietojums attiecībā pret darbarīku un apkārtējo telpu ir drošs darbam. Uzlieciet aizsargbrilles un valkājiet aizsargapģērbu.
- Skatiet darbarīka tehniskos datus šajā rokasgrāmatā un nemēģiniet griezt armatūru, kas ir biežāka vai cietāka par maksimālās griešanas jaudas sadaļā norādīto.
- Izmantojiet darbarīku tikai armatūras griešanai. Ja vēlaties griezt citus materiālus, sazinieties ar ražotāju.

## **▲ BRĪDINĀJUMS**

- Bojātus (ar izlauztiem gabaliem, salauztus vai ieplaisājušus) vai deformētus asmeņus nomainiet nekavējoties. Šādi asmeņi nav piemēroti darbam un var plaisāt vai salūzt, izraisot smagas traumas.

## **Griešana**

### **▲ BRĪDINĀJUMS**

- **Neizmantojiet darbarīku, ja nav uzstādīts aizsargs.**

Pretējā gadījumā var gūt nopietnas traumas.

(5. att.)

- Aizsargs ir aprīkojums, kas novērš fragmentu lidošanu virsū operatoram. Tas nenovērš lidošanu armatūras ass garavirzienā. Nostājieties tā, lai aizsargs varētu pasargāt jūs no lidojošiem fragmentiem.
- Dažos attēlos aizsargs nav redzams, taču tas tiek parādīts no iekšpuses. Strādājot vienmēr lietojiet aizsargu.

1. Ievietojiet griezamo armatūru starp asmeņiem.

(6. att.)

Noregulējiet aizturi atbilstīgi griežamās armatūras diametram tā, lai armatūra atrastos 90 grādu leņķī attiecībā pret asmeņiem. Aizturis balsta armatūru un griešanas laikā notur to perpendikulāri asmeņiem.

(7. att.)

### **▲ BRĪDINĀJUMS**

- Griežot armatūru, noregulējiet aizturi atbilstīgi griežamās armatūras diametram tā, lai armatūra atrastos 90 grādu leņķī attiecībā pret asmeņiem. Ja tas netiek izdarīts, nogrieztā daļa var aizlidot, izraisot smagas traumas operatoram vai apkārtējiem cilvēkiem. Vienmēr izvērtējiet operatora novietojumu attiecībā pret darbarīku un pārliecinieties, ka darbība ir droša gan operatoram, gan apkārtējiem.
- 2. Novietojiet armatūru pietiekami dziļi starp asmeņiem tā, lai armatūra nesaskartos ar aizsargu. (8. att.)

### **▲ BRĪDINĀJUMS**

- Ja armatūra netiek ievietota pilnībā starp asmeņiem, tiks bojāti asmeņi un armatūra ar spēku tiks izgrūsta ārā, šādi, iespējams, radot nopietnas traumas.

### **▲ BRĪDINĀJUMS**

- Negrieziet armatūru, ja nogriežamais posms ir īsāks par 200 mm. Griežot īsāku posmu, nogrieztā armatūras daļa var aizlidot, šādi, iespējams, radot nopietnas traumas. (9. att.)

### **▲ BRĪDINĀJUMS**

- Negrieziet armatūru, ja to pienācīgi neatbalsta aizturis. Griešanas laikā turiet armatūru aiztura pusē. (10., 11. att.) Ja tas netiek izdarīts, nogrieztā daļa var aizlidot, izraisot smagas traumas operatoram vai apkārtējiem cilvēkiem.
- 3. Nospiediet slēdža bloķētāju A pusē. Slēdzis tiek atbrīvots, un mēlīti var izmantot.
- 4. Nospiediet slēdža mēlīti, lai sāktu griešanu. Griezējstienis sāks virzīties uz priekšu, lai sagrieztu armatūru. Turiet slēdzi nospiestu, līdz griezējstienis apstājas darbības cikla gājiena galā.

5. Kad griešana ir pabeigta un griezējstienis ir sasniedzis gājiena beigas, atlaidiet slēdža mēlīti. Griezējstienis automātiski atgriezīsies sākuma pozīcijā. Ja gājiens nav pilnībā pabeigts, griezējstienis neatgriezīsies sākuma pozīcijā. Kā arī griezējstienis neuzsāks atkārtotu kustību uz priekšu, kamēr tas nebūs pilnībā atgriezies sākuma pozīcijā. Nospiediet slēdzi un sāciet nākamo griešanas ciklu tikai tad, kad griezējstienis pilnībā atgriežas sākuma pozīcijā un apstājas.

### **▲ BRĪDINĀJUMS**

- Griežot armatūru ar augstu stiepes izturību, nogriežtais gabals var aizlidot, nopietni traumējot operatoru. Pirms darba sākšanas uzlieciet aizsargbrilles un pārliecinieties, ka apkārtējā vidē ir droši strādāt.

### **▲ BRĪDINĀJUMS**

- Darba laikā netuviniet rokas un seju asmeņiem, kustīgajām detaļām un griešanas zonai. Lietošanas beigās vienmēr nekavējoties atvienojiet akumulatoru no darbarīka.

### **PIEZĪME.**

- Ja darbarīka korpusa temperatūra pārsniedz 70 °C (160 °F), samazinās darbarīka jauda. Ja tā notiek, pārtrauciet darbarīka darbību un ļaujiet tam atdzist.

### **PIEZĪME.**

- Raugieties, lai gaisa atvere stieņa turētāja galā būtu tīra un lai tajā nav svešķermeņu. Ar šo gaisa atveri tiek kontrolēts iekšējais spiediens, tāpēc to nedrīkst aizsegēt šķēršļi. (12. att.)

## **Motora pagriešanas funkcija (13. att.)**

Darba laikā motora korpusu jebkurā virzienā var pagriezt pa 360 grādiem. Tas ir īpaši parocīgi, strādājot neērtās vai šaurās vietās, jo šādi operators var novietot darbarīku lietošanai visērtākajā pozīcijā.

## **Atgriešanās vārsta darbība (14. att.)**

Izmantojot atgriešanās vārstu, griezējstieni var aizvirzīt atpakaļ sākuma pozīcijā, kad tas nespēj pabeigt attiecīgo gājieni vai iestrēgst. Atbrīvojot atgriešanās vārstu pa pusapgriezieni, samazināsies eļļas spiediens un griezējstienis varēs atgriezties. Kad griezējstienis ir pilnībā atgriezies sākuma pozīcijā, pievelciet atgriešanās vārstu un tikai tad sāciet nākamo darbības ciklu.

## **ASMEŅU MAIŅA**

Ja griešanas asmeņos ir robi vai tie ir ieplaisājuši, deformēti vai kā citādi bojāti, to griešanas spēja ir mazināta. Šādu asmeņu izmantošana griešanai var radīt vēl vairāk bojājumu un izraisīt traumas. Ja tiek konstatēti jebkādi bojājumi, nekavējoties nomainiet visu asmeņu komplektu.

### **▲ BRĪDINĀJUMS**

- Asmeņu maiņas laikā akumulatoram ir jābūt atvienotam no darbarīka, lai novērstu nejaušas iedarbināšanas risku.

Pārbaudiet vai A asmens uz stieņa turētāja un B asmens uz griezējstieņa ir novietoti pareizajās pozīcijās. (15. att.)

1. Atskrūvējiet skrūves un starplikas, ar kurām piestiprināti A un B asmeņi.

2. Notīriet virsmas, kur tiks uzstādīti jaunie asmeņi.
3. Piestipriniet A asmeni pie stieņa turētāja un B asmeni pie griezējstieņa. Uzlieciet atpakaļ un cieši pievelciet skrūves un starplikas.

### **▲ BRĪDINĀJUMS**

- Regulāri pievelciet skrūves ar kurām piestiprināts A un B asmens. Ja skrūves kļūst vaļīgas, var tikt bojāti asmeņi vai gūtas traumas.

## **Rezerves asmeņu veids un atvienošana**

### **(16. att.)**

Nostiprinošās skrūves ir cieši jāpievelk.

Regulāri pārbaudiet, vai asmeņi ir cieši piestiprināti.

Rezerves asmeņu izmērs

● Šajā tabulā norādīti jūsu modelim piemērotie asmeņi.

Modelis	A (piestiprināms pie stieņa turētāja)	B (piestiprināms pie griezējstieņa)
DSC163 (ø3–ø16)	22 × 17 × 9 mm (skrūves izmērs 5 mm)	22 × 17 × 8 mm (skrūves izmērs 5 mm)

### **PIEZĪME.**

- Izmantojiet tikai oriģinālos Makita asmeņus.

## **EĻĻAS PAPILDINĀŠANA**

Šis akumulatora armatūras knaibles ir elektrohidrauliskas.

No rūpnīcas tas tiek piegādāts jau uzpildīts ar eļļu. Ja

darbarīks darbojas pareizi, nemēģiniet papildināt eļļu.

Laika gaitā eļļas līmenis pakāpeniski samazināsies.

Noteiktā brīdī, tas ievērojami pasliktinās darbarīka sniegumu. Kad tā notiek, papildiniet eļļu, kā norādīts tālāk.

1. Ievietojiet starp asmeņiem armatūru un nospiediet slēdža mēlīti.
2. Atlaidiet slēdža mēlīti brīdī, kad armatūra ir gandrīz pārgriezta, lai apstādinātu darbarīku.
3. Atvienojiet darbarīka akumulatoru, lai novērstu nejaušu asmeņu izkustēšanos.
4. Izskrūvējiet skrūvi (SB10x15), kas vienlaikus ir arī eļļas uzpildes atveres vāciņš. Pielejiet eļļu, raugoties, lai tā neuztek uz motora.
5. Ieskrūvējiet un cieši pievelciet skrūvi (SB10x15).
6. Ievietojiet darbarīkā akumulatoru un pabeidziet griešanas ciklu.
7. Atkārtojiet iepriekš aprakstīto procedūru, līdz sasniegts pareizais eļļas līmenis.

### **▲ UZMANĪBU**

- Šim darbarīkam drīkst izmantot tikai Makita ieteiktu tīru hidraulisko eļļu. Ieteicamās eļļas ir Makita piegādātā hidrauliskā eļļa, Super Hyrando #46 (JX Nippon Oil & Energy Corp.), Shell Tellus Plus #46 (U.S. Shell) vai līdzvērtīgas specifiskācijas pretnodilšanas hidrauliskā eļļa ar 46. pakāpes ISO viskozitātes rādītāju. Cītu eļļu lietošana var sabojāt bīves un citas darbarīka iekšējās detaļas.

# PROBLĒMU NOVĒRŠANA

## ⚠ BRĪDINĀJUMS

- Pirms darbarīka apkopšanas atvienojiet akumulatoru.

PROBLĒMA	IMESLS	RISINĀJUMS
Griezējstienis neizvirzās.	Nepietiek eļļas.	Pielejiet eļļu. (Skatiet sadaļu „Eļļas papildināšana”.)
	Griezējstienis pilnībā neatgriežas sākuma pozīcijā, jo starp griezējstieni un stieņa turētāju ir uzkrājušies netīrumi.	Manuāli aizstumiet griezējstieni atpakaļ sākuma pozīcijā. Aizvāciet netīrumus un iztīriet attiecīgo zonu.
	Griezējstienis pilnībā neatgriežas sākuma pozīcijā, jo tas ir bojāts.	Nomainiet griezējstieni.
	Griezējstienis pilnībā neatgriežas sākuma pozīcijā, jo asmeņi ir vaļīgi vai bojāti.	Pievelciet asmeņu skrūves. Nomainiet asmeņus.
	Griezējstienis pilnībā neatgriežas sākuma pozīcijā vājās atgriezes atsperes dēļ.	Nomainiet atgriezes atsperi.
Nepietiek jaudas armatūras pārgriešanai.	Nepietiek eļļas.	Pielejiet eļļu. (Skatiet sadaļu „Eļļas papildināšana”.)
	Atgriešanās vārsts nepareizi iegulst stiprinājuma vietā, vai stiprinājuma vieta ir bojāta.	Notīriet atgriešanās vārsta uzgali un stiprinājuma vietu. Likvidējiet skrāpējumus stiprinājuma vietā.
	Atgriešanās vārsts bojāts.	Nomainiet.
	Nepareizs atstatums starp cilindru un virzuli.	Nomainiet virzuli (piezīme: ir pieejami dažāda izmēra virzuļi).
	Pārbaudes vārsts pareizi neiegulst stiprinājuma vietā vai stiprinājuma vieta ir bojāta.	Notīriet pārbaudes vārstu un stiprinājuma vietu. Nomainiet.
	Uretāna iepakojums bojāts.	Nomainiet.
Eļļas noplūdes.	Eļļas līmeņotāja pūslis bojāts.	Nomainiet.
	Griezējstieņa/stieņa turētāja gredzenblīve bojāta; griezējstieņa/stieņa turētāja virsma saskrāpēta vai ar rievām.	Nomainiet rezerves blīvi un gredzenblīvi. Nomainiet griezējstieni/stieņa turētāju.
	Cilindra/stieņa turētāja gredzenblīve bojāta.	Nomainiet gredzenblīvi.
	Cilindra/sūkņa ietvara blīve bojāta.	Nomainiet B starpliku.
	Stieņa turētājs/cilindrs/sūkņa ietvars/atlokskrūves vaļģas.	Pievelciet skrūves.
Motors nedarbojas. Motors darbojas lēnām vai kļūdaini.	Nevienmērīgs spriegums.	Uzlādējiet akumulatoru.
	Tuvojas akumulatora darbmūža beigas.	Nomainiet akumulatoru.
	Pārkaršanas izraisīti līdžstrāvas motora bojājumi.	Nomainiet līdžstrāvas motoru.
	Līdžstrāvas motora gultņi vai zobrats bojāts.	Nomainiet gultņus vai zobratu.

## PIEZĪME.

- Sūkņa un virzuļa zonas iekšējie komponenti darbojas ar augstu precizitāti, un tie ir uzņēmīgi pret putekļu, netīrumu, hidrauliskā šķidruma piesārņojuma un nepareizas apiešanās izraisītiem bojājumiem. Sūkņa korpusa izjaukšanai vajadzīgi īpaši darbarīki un apmācība, tāpēc šo darbu var uzņemties tikai kvalificēti tehniķi, kas izgājuši vajadzīgo apmācību un kam pieejami vajadzīgie darbarīki. Nepareiza elektrokomponentu apkope var radīt situācijas, kurās var gūt nopietnas traumas. Sūknis, virzuļa komponenti un visas elektronikas daļas ir jāapkopj pilnvarotā darbnīcā vai pie izplatītāja.

## TEHNISKĀ APKOPE

### UZMANĪBU

- Pirms darbarīka pārbaudes vai apkopes vienmēr pārlicinieties, ka darbarīks ir izslēgts un akumulatora kasetne ir atvienota.
- Nekad neizmantojiet gazolīnu, benzīnu, šķīdinātāju, spirtu vai līdzīgus šķidrums. Tas var radīt izbalēšanu, deformāciju vai plaisas.

Lai saglabātu darbarīku DROŠU un UZTICAMU, remontdarbus, apkopi un regulēšanu veiciet tikai Makita pilnvarotā apkopes centrā un vienmēr izmantojiet tikai Makita rezerves daļas.

## PAPILDU PIEDERUMI

### UZMANĪBU

- Šos piederumus un papildierīces ir ieteicams lietot kopā ar šajā rokasgrāmatā aprakstīto Makita darbarīku. Izmantojot citus piederumus vai papildierīces, var tikt radīta trauma gūšanas bīstamība. Piederumu vai papildierīci izmantojiet tikai paredzētajam mērķim.

Ja jums vajadzīga palīdzība vai precīzāka informācija par šiem piederumiem, vērsieties savā tuvākajā Makita apkopes centrā.

- Makita oriģinālais akumulators un lādētājs

### PIEZĪME.

- Daži sarakstā norādītie izstrādājumi var būt iekļauti darbarīka komplektācijā kā standarta piederumi. Tie dažādās valstīs var būt atšķirīgi.



# LIETUVIŲ KALBA (Originali instrukcija)

## Bendrasis aprašymas

- |                               |                                 |                                     |
|-------------------------------|---------------------------------|-------------------------------------|
| 1. Raudonas indikatorius      | 10. Apsauginis gaubtas          | 19. B peilis (plonesnis peilis)     |
| 2. Mygtukas                   | 11. Armatūra                    | 20. Varžtas (ilgesnis)              |
| 3. Akumulatoriaus kasetė      | 12. Peiliai                     | 21. Varžtas (trumpesnis)            |
| 4. Žvaigždutės ženklas        | 13. Stabdiklis                  | 22. Poveržlė                        |
| 5. Šviesos diodo indikatorius | 14. Daugiau kaip 200 mm         | 23. Strypo laikiklis                |
| 6. Jungiklio fiksatorius      | 15. Oro anga                    | 24. Pjaustytuvo strypas             |
| 7. Gaidukas                   | 16. Šešiakampis veržliaraktis   | 25. A peilis ant strypo laikiklio   |
| 8. A pusė                     | 17. Grįžtamasis vožtuvas        | 26. B peilis ant pjaustytuvo strypo |
| 9. B pusė                     | 18. A peilis (storesnis peilis) | 27. Atsarginiai peiliai             |

## TECHNINĖS SĄLYGOS

Modelis	DSC163
Maks. pjovimo pajėgumas (skersmuo mm)	16 mm
40–60 lygis	
40 lygis. Įtempimo stiprumas 490 N/mm <sup>2</sup> 70 000 PSI	
60 lygis. Įtempimo stiprumas 620 N/mm <sup>2</sup> 90 000 PSI	
Pjovimo greitis	2,8 sekundės
Bendras ilgis	360 mm
Grynavis svoris	6,9 kg
Nominali įtampa	Nuol. sr. 18 V

- Atliekame tęstinius tyrimus ir nuolatos tobuliname savo gaminius, todėl čia pateikiamos techninės sąlygos gali būti keičiamos be įspėjimo.
- Techninės sąlygos ir akumuliatorių kasetės įvairiose šalyse gali skirtis.
- Svoris su akumulatoriaus kasete pagal Europos elektrinių įrankių asociacijos metodiką „EPTA-Procedure 01/2014“

### Tinkama akumulatoriaus kasetė

BL1830 / BL1830B / BL1840 / BL1840B / BL1850 / BL1850B / BL1860B

- Atsižvelgiant į gyvenamosios vietos regioną, kai kurios pirmiau nurodytos akumulatoriaus kasetės gali būti neprieinamos.

### ⚠️ ĮSPĖJIMAS.

- **Naudokite tik akumulatoriaus kasetes, kurios nurodytos anksčiau.** Naudojant bet kurias kitas akumulatoriaus kasetes, gali kilti sužeidimo ir gaisro pavojus.

## Simboliai

Toliau yra nurodyti įrangai naudojami simboliai. Prieš naudodami įsitikinkite, ar suprantate jų reikšmę.



..... Perskaitykite naudojimo instrukciją.



..... Taikoma tik ES šalims

Neišmeskite elektros įrangos arba akumuliatoriaus bloko į buitinių atliekų šiukšlynus!

Atsižvelgiant į ES direktyvas dėl elektros ir elektroninės įrangos atliekų, dėl baterijų ir akumuliatorių bei baterijų ir akumuliatorių atliekų ir šių direktyvų siekių įgyvendinimą pagal nacionalinius įstatymus, elektros įrangos ir baterijų bei akumuliatorių atliekas būtina surinkti atskirai nuo kitų buitinių atliekų ir atiduoti į antrinių žaliavų perdirbimo aplinkai nekenksmingu būdu punktą.

### Numatytoji naudojimo paskirtis

Šis įrankis skirtas armatūrai pjauti.

### Triukšmas

Įprastas triukšmo A lygis, nustatytas pagal EN60745-1:

Garso slėgio lygis (L<sub>pA</sub>): 78 dB (A)

Paklaida (K): 3 dB (A)

Dirbant triukšmo lygis gali viršyti 80 dB (A).

### Naudokite ausų apsaugos priemonės

### Vibracija

Vibracijos bendroji vertė (trijų ašiu vektoriu suma)

nustatyta pagal EN60745-1 standartą:

Darbo režimas: armatūros pjovimas

Vibracijos emisija (a<sub>h</sub>): 2,5 m/s<sup>2</sup> arba mažiau

Paklaida (K): 1,5 m/s<sup>2</sup>

- Paskelbtasis vibracijos emisijos dydis nustatytas pagal standartinį testavimo metodą ir jį galima naudoti vienam įrankiui palyginti su kitu.

- Paskelbtasis vibracijos emisijos dydis taip pat gali būti naudojamas vibracijos poveikiui preliminariai įvertinti.

### **⚠️ ĮSPĖJIMAS.**

- Faktiškai naudojant elektrinį įrankį, keliamos vibracijos dydis gali skirtis nuo paskelbtojo dydžio, priklausomai nuo būdų, kuriais yra naudojamas šis įrankis.
- Siekdami apsaugoti operatorių, būtinai įvertinkite saugos priemones, remdamiesi vibracijos poveikio įvertinimu esant faktinėms naudojimo sąlygoms (atsižvelgdami į visas darbo ciklo dalis, pavyzdžiui, ne tik kiek laiko įrankis veikia, bet ir kiek kartų jis yra išjungiamas bei kai jis veikia be apdrovų).

## **EB atitikties deklaracija**

### **Tik Europos šalims**

EB atitikties deklaracija yra pridedama kaip šio instrukcijų vadovo A priedas.

## **Bendrieji įspėjimai dirbant elektriniais įrankiais**

**⚠️ ĮSPĖJIMAS.** Perskaitykite visus saugos įspėjimus, instrukcijas, iliustracijas ir techninius duomenis, pateiktus kartu su šiuo elektriniu įrankiu. Nesilaikant visų toliau išvardytų instrukcijų galima patirti elektros smūgi, gali kilti gaisras ir (arba) galima sunkiai susižaloti.

## **Išsaugokite visus įspėjimus ir instrukcijas, kad galėtumėte jas peržiūrėti ateityje.**

Terminas „elektrinis įrankis“ pateiktuose įspėjimuose reiškia į maitinimo tinklą jungiamą (laidinį) elektrinį įrankį arba akumuliatoriaus maitinamą (belaidį) elektrinį įrankį.

### **Darbo vietos sauga**

1. **Pasirūpinkite, kad darbo vieta būtų švari ir gerai apšviesta.** Užgriozdintos ir tamsios vietos dažnai yra nelaimingų atsitikimų priežastimi.
2. **Nedirbkite elektriniais įrankiais sprogioje aplinkoje, pavyzdžiui, kai yra degių skysčių, dujų ar dulkių.** Elektriniai įrankiai skleidžia kibirkštis, kurios gali uždegti dulkes arba garus.
3. **Dirbdami elektriniu įrankiu neleiskite šalia būti vaikams ar kitiems žiurovams.** Atitraukę dėmesį galite prarasti valdymą.

### **Elektros sauga**

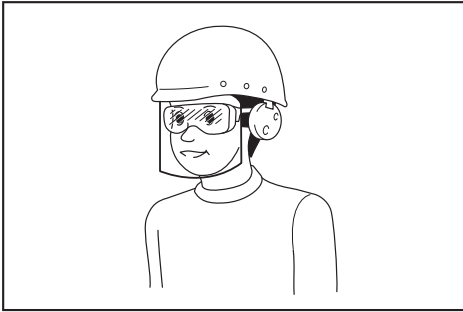
1. **Elektrinio įrankio kištukas privalo atitikti lizdą. Niekada niekaip nemodifikuokite kištuko. Nenaudokite jokių kištukų adapterių su žemintais elektriniais įrankiais.** Nemodifikuoti kištukai ir juos atitinkantys lizdai sumažins elektros smūgio riziką.
2. **Venkite liestis su žemintais paviršiais, pavyzdžiui, vamzdžiais, radiatoriais, viryklėmis ir šaldytuvais.** Elektros smūgio rizika padidėja, jei jūsų kūnas yra įžemintas.
3. **Nelaikykite elektrinių įrankių lietuje ar drėgmėje.** Vanduo, pakliuvęs į elektrinį įrankį, padidina elektros smūgio riziką.

4. **Atsargiai elkitės su elektros laidu. Niekada nenaudokite laido elektriniam įrankiui nešti, jam ar kištukui traukti. Saugokite laidą nuo karščio, alyvos, aštrių kraštų ir judančių dalių.** Pažeistas arba apsinaiotas laidas padidina riziką gauti elektros smūgį.
5. **Kai elektrinį įrankį naudojate lauke, naudokite ilgutuvą, tinkamą naudoti lauke.** Tinkamo naudoti lauke laido naudojimas sumažina riziką gauti elektros smūgį.
6. **Jeigu elektrinį įrankį neišvengiamai reikia naudoti drėgnoje vietoje, naudokite likutinės elektros srovės saugiklį (RCD).** Naudojant RCD saugiklį mažėja elektros smūgio pavojus.
7. **Elektriniai įrankiai gali sukurti naudotojui nekenksmingus elektromagnetinius laukus (EML).** Tačiau, prieš naudodami šį elektrinį įrankį, širdies stimuliatorių ir kitų panašių medicinos įrenginių naudotojai turi susisiekti su savo įrenginio gamintoju ir (arba) gydytoju ir pasikonsultuoti.

### **Asmeninė sauga**

1. **Būkite budrūs, stebėkite, ką darote, ir vadovaukitės sveiku protu, kai naudojate elektrinį įrankį. Nenaudokite elektrinio įrankio, kol esate pavargę arba veikia vaistai, alkoholis ar narkotikai.** Dėl nedėmesingumo darbo su elektriniais įrankiais metu galima rimtai susižeisti.
2. **Naudokite asmenines saugos priemones. Visada naudokite akių apsaugos priemones.** Apsauginės priemonės, pavyzdžiui, respiratorius, apsauginiai batai neslidžiais padais, šalmas ar ausų apsaugos, naudojamos atitinkamomis sąlygomis, sumažina susižeidimo pavojų.
3. **Būkite atsargūs, kad netyčia neįjungtumėte įrankio. Prieš įjungdami įrankį į elektros tinklą ir (arba) įdėdami akumuliatorių bloką, paimdami ar nešdami įrankį visuomet patikrinkite, ar išjungtas jo jungiklis.** Jei nešate elektrinius įrankius laikydami pirštą ant jungiklio arba įjungiate elektrinius prietaisus su įjungtu jungikliu į tinklą, patys šaukiate nelaimės.
4. **Prieš įjungdami elektrinį įrankį, išimkite visus reguliavimo raktus arba sukimo raktą.** Dėl sukamoje įrankio dalyje palikto rakto galima susižeisti.
5. **Nepersitempkite. Visuomet tvirtai stovėkite ant žemės, išlaikykite pusiausvyrą.** Tai leidžia geriau valdyti elektrinį įrankį netikėtose situacijose.
6. **Tinkamai apsirenkite. Nedėvėkite palaidų drabužių arba papuošalų. Plaukus ir drabužius laikykite atokiau nuo judančių dalių.** Judančios dalys gali įtraukti laisvus drabužius, papuošalus arba ilgus plaukus.
7. **Jei pateikiami dulkių surinkimo ir pašalinimo priedai, įsitikinkite, ar jie prijungti ir naudojami tinkamai.** Surenkant dulkes gali sumažėti su dulkelėmis susiję pavojai.
8. **Neleiskite žinioms, gautoms dažnai naudojant įrankius, atsipalaiduoti ir nepaisyti įrankio saugos principų.** Dėl neatsargaus darbo per sekundes dalį galima susižaloti.

9. Visada naudodami elektrinius įrankius užsidėkite apsauginius akinius, kad apsaugotumėte savo akis nuo sužalojimų. Akiniai turi atitikti ANSI Z87.1 reikalavimus JAV, EN 166 reikalavimus Europoje arba AS/NZS 1336 reikalavimus Australijoje / Naujojoje Zelandijoje. Australijoje / Naujojoje Zelandijoje taip pat teisiškai privaloma naudoti veido skydelį.



Darbdavys privalo užtikrinti, kad įrankio operatoriai ir kiti šalia jo darbo vietos esantys asmenys naudotų tinkamas apsaugos priemones.

#### Elektrinio įrankio naudojimas ir priežiūra

1. Dirbdami elektriniu įrankiu nenaudokite jėgos. Naudokite tinkamą elektrinį įrankį pagal savo poreikius. Tinkamu elektriniu įrankiu, parinkę spartą, kuriai jis buvo sukurtas, darbą atlikite geriau ir saugiau.
2. Nenaudokite elektrinio įrankio, jei jungiklis neįjungia ar neišjungia įrankio. Visi įrankiai, kurių negalima valdyti jungikliu, yra pavojingi ir turi būti taisomi.
3. Atjunkite kištuką nuo elektros tinklo ir (arba) išimkite akumuliatorių (jei jį galima atjungti) iš elektrinio įrankio prieš reguliuodami, keisdami priedus arba laikydami elektrinius įrankius. Tokios atsargumo priemonės sumažina riziką atsitiktinai įjungti elektrinį įrankį.
4. Elektrinius įrankius laikykite vaikams nepasiekiamoje vietoje ir neleiskite žmonėms, nesusipažinusiems su šiuo elektriniu įrankiu ar jo instrukcija, juo naudotis. Neapmokytiems naudotojams naudojant elektrinius įrankius kyla pavojus.
5. Prižiūrėkite elektrinius įrankius ir priedus. Patikrinkite, ar judančios dalys gerai pritvirtintos ir yra tinkamoje padėtyje, ar nėra lūžusių dalių ir bet kokių kitų būsenų, kurios gali daryti įtaką elektriniams įrankiams juos naudojant. Esant pažeidimams, prieš tolimesnę naudojimą atiduokite elektrinį įrankį sutaisyti. Daug nelaimingų atsitikimų įvyksta dėl prastai prižiūrimų elektrinių įrankių.
6. Prižiūrėkite, kad pjovimo įrankiai būtų švarūs ir aštrūs. Tinkamai prižiūrimi pjovimo įrankiai su aštriais ašmenimis mažiau sukimba ir juos lengviau valdyti.

7. Elektrinį įrankį, jo priedus ir dalis naudokite pagal šiuos nurodymus, atsižvelgdami į darbo sąlygas ir atliekamą darbą. Naudojant elektrinį įrankį darbams, kuriems jis nėra skirtas, galima sukelti pavojų.
8. Rankenos ir paėmimo paviršiai turi būti sausi, švarūs, ant jų neturi būti alyvos ir tepalo. Jei rankenos ir paėmimo paviršiai bus slidūs, netikėtai atvejais negalėsite saugiai naudoti ir valdyti įrankį.
9. Naudodami įrankį nenaudokite medžiaginių darbo pirštinių, kurios gali įspainioti. Medžiaginėms darbinėms pirštinėms įspainiojus į judamąsias dalis galima patirti sužalojimų.

#### Akumuliatorinio įrankio naudojimas ir priežiūra

1. Įkraukite naudodami tik gamintojo nurodytą įkroviklį. Įkroviklis, kuris tinka vienam akumuliatorių tipui įkrauti, gali kelti gaisro pavojų, jei bus naudojamas su kitų tipų akumuliatoriais.
2. Elektrinius įrankius naudokite tik su specialiai jiems skirtais akumuliatoriais. Naudojant bet kurį kitą akumuliatorių gali kilti sužeidimo ir gaisro pavojus.
3. Kai akumuliatorius nėra naudojamas, laikykite jį toliau nuo kitų metalinių daiktų, pavyzdžiui, popieriaus sąvaržėlių, monetų, raktų, vinių, varžtų ir kitų mažų metalinių daiktų, dėl kurių gali kilti trumpasis jungimas tarp kontaktų. Akumuliatorių kontaktų trumpasis jungimas gali būti nudegimų arba gaisro priežastimi.
4. Netinkamai naudojant iš akumuliatoriaus gali ištekėti skysčio. Venkite sąlyčio su juo. Jei sąlytis atsitiktinai įvyko, gausiai nuplaukite vandeniu. Jei skysčio pateko į akis, kreipkitės į gydytoją. Iš akumuliatoriaus išbėgęs skystis gali sudirginti arba nudeginti odą.
5. Nenaudokite sugadinto ar modifikuoto akumuliatoriaus arba įrankio. Sugadinti arba modifikuoti akumuliatoriai gali veikti neįprastai, todėl gali kilti gaisras, sprogimas arba sužalojimo rizika.
6. Saugokite akumuliatorių arba įrankį nuo ugnies ar pernelyg aukštos temperatūros. Dėl ugnies ar 130 °C viršijančios temperatūros gali kilti sprogimas.
7. Laikykites visų įkrovimo nurodymų ir nekraukite akumuliatoriaus ar įrankio, kai temperatūra neatitinka nurodymuose pateikto temperatūros intervalo. Netinkamai įkraunant arba įkraunant esant kitam nei nustatytas temperatūros intervalui, gali būti sugadintas akumuliatorius ar padidėti gaisro rizika.

#### Techninė priežiūra

1. Tegu jūsų elektrinio įrankio techninę priežiūrą atlieka kvalifikuotas remonto meistras, naudodamas tik identiškas atsargines dalis. Tai užtikrina, kad elektrinis įrankis liks saugus naudoti.
2. Niekada neatlikite pažeistų akumuliatorių techninės priežiūros. Akumuliatorių techninę priežiūrą turi atlikti tik gamintojas arba įgaliotieji techninės priežiūros paslaugų teikėjai.
3. Laikykites instrukcijoje pateiktų nurodymų dėl tepimo ir priedų keitimo.

# SAUGOS ĮSPĖJIMAI DĖL BELAIDŽIŲ ARMATŪROS KIRPIMO ŽIRKLIŲ

1. Naudojamą įrankį laikykite tvirtai. Įrankį laikant netvirtai galima susižaloti.
2. Saugokite rankas ir veidą nuo judamųjų dalių. Jos gali sužaloti.
3. Kai įrankis veikia netinkamai arba naudojimo metu skleidžia neįprastą garsą, nedelsdami nuspauskite gaiduką, kad įrankį sustabdytumėte. Pasirūpinkite, kad jį patikrintų ir suremontuotų įgaliotasis priežiūros centras. Kitaip galite padaryti žalos arba susižeisti.
4. Jei įrankį numetėte arba sutrenkėte, atidžiai patikrinkite, ar korpusas nepažeistas, nesutrūkęs arba nedeformuotas. Dėl bet kokio tokio apgadavimo galite patirti sužalojimų.
5. Tai yra elektrohidraulinis įrankis. Prieš pristatant, alyvos talpykla buvo užpildyta. Papildykite alyvos tik įrankiui veikiant neįprastai.
6. Metalo pjovimo peiliai yra su aštriais kraštais. Elkitės su jais atsargiai, kad neįsipjautumėte.
7. Pažeisti, deformuoti ar sutrūkinėję peiliai gali sukelti rimtų nelaimingų atsitikimų ir pabloginti įrankio veikimą. Nedelsdami pakeiskite naujais originaliais peiliais.

## SAUGOKITE ŠIAS INSTRUKCIJAS.

### ⚠ ĮSPĖJIMAS.

NELEISKITE, kad patogumas ir gaminio pažinimas (įgyjamas pakartotinai naudojant) susilpnintų griežtą saugos taisyklių, taikytinų šiam gaminiui, laikymąsi. Dėl NETINKAMO NAUDOJIMO arba saugos taisyklių, kurios pateiktos šioje instrukcijoje, nesilaikymo galima rimtai susižeisti.

## Svarbios saugos instrukcijos, taikomos akumulatoriaus kasetei

1. Prieš naudodami akumulatoriaus kasetę, perskaitykite visas instrukcijas ir perspėjimus ant (1) akumuliatorių įkroviklio, (2) akumuliatorių ir (3) akumuliatorių naudojančio gaminio.
2. Neardykite akumulatoriaus kasetės.
3. Jei įrankio darbo laikas žymiai sutrumpėjo, nedelsdami nutraukite darbą su įrankiu. Tai gali kelti perkaitimo, nudegimų ar net sprogdimo pavojų.
4. Jei elektrolitas pateko į akis, plaukite jas tyru vandeniu ir nedelsdami kreipkitės į gydytoją. Gali kilti regėjimo praradimo pavojus.
5. Neužtrumpinkite akumulatoriaus kasetės:
  - (1) Nelieskite kontaktų degiomis medžiagomis.
  - (2) Venkite laikyti akumulatoriaus kasetę kartu su kitais metaliniais daiktais, pavyzdžiui, vinimis, monetomis ir pan.

- (3) Saugokite akumulatoriaus kasetę nuo vandens ir lietaus.

Trumpasis jungimas akumuliatoriuje gali sukelti stiprią srovę, perkaitimą, galimus nudegimus ar net akumulatoriaus gedimą.

6. Nelaikykite įrankio ir akumulatoriaus kasetės vietose, kur temperatūra gali pasiekti ar viršyti 50 °C.
7. Nedeginkite akumulatoriaus kasetės, net jei yra stipriai pažeista ar visiškai susidėvėjusi. Ugnyje akumulatoriaus kasetė gali sprogti.
8. Saugokite akumuliatorių nuo kritimo ir smūgių.
9. Nenaudokite pažeisto akumulatoriaus.
10. Įdėms ličio jonų akumuliatoriams taikomi Pavojingų prekių teisės akto reikalavimai. Komercinis transportas, pvz., trečiųjų šalių, prekių vežimo atstovų, turi laikytis specialaus reikalavimo ant pakuotės ir ženklينو.  
Norėdami paruošti siųstiną prekę, pasitarkite su pavojingų medžiagų specialistu. Be to, laikykitės galimai išsamesnių nacionalinių reglamentų.  
Užklijuokite juosta arba padenkite atvirus kontaktus ir supakuokite akumuliatorių taip, kad jį pakuotėje nejudėtų.
11. Vadovaukitės vietos įstatymais dėl akumuliatorių išmetimo.
12. Baterijas naudokite tik su „Makita“ nurodytais gaminiais. Baterijas įdėjus į netinkamus gaminius gali kilti gaisras, gaminys pernelyg kaisti, kilti sprogdimas arba pratekėti elektrolitas.

## SAUGOKITE ŠIAS INSTRUKCIJAS.

⚠ PERSPĖJIMAS. Naudokite tik originalų „Makita“ akumuliatorių. Neoriginalaus „Makita“ arba pakeisto akumulatoriaus naudojimas gali nulemti gaisrą, asmens sužalojimą ir pažeidimą. Tai taip pat panaikina „Makita“ suteikiamą „Makita“ įrankio ir įkroviklio garantiją.

## Patarimai, ką daryti, kad akumuliatorius veiktų kuo ilgiau

1. Pakraukite akumulatoriaus kasetę prieš jai visiškai išsikraunant. Visuomet nustokite naudoti įrankį ir pakraukite akumulatoriaus kasetę, kai pastebite, kad įrankio galia sumažėjo.
2. Niekada nekraukite iki galo įkrautos akumulatoriaus kasetės. Perkraunant trumpėja akumulatoriaus eksploatacijos laikas.
3. Akumulatoriaus kasetę kraukite esant kambario temperatūrai 10 - 40 °C. Prieš pradėdami krauti, leiskite įkautusiai akumulatoriaus kasetei atvėsti.
4. Įkraukite akumulatoriaus kasetę, jei jos nenaudojate ilgą laiką (ilgiau nei šešis mėnesius).

# VEIKIMO APRAŠYMAS

## ⚠ PERSPĖJIMAS.

- Prieš pradėdami reguliuoti įrankį arba tikrinti jo veikimą, visuomet būtinai išjunkite įrankį ir išimkite akumulatoriaus kasetę.

## Akumulatoriaus kasetės įdėjimas ir išėmimas (1 pav.)

### ⚠ PERSPĖJIMAS.

- Prieš įdėdami arba išimdami akumulatoriaus kasetę, visada išjunkite įrankį.
- Įdėdami arba išimdami akumulatoriaus kasetę, tvirtai laikykite įrankį ir akumulatoriaus kasetę laikysite netvirtai, jie gali išslįsti iš jūsų rankų, todėl įrankis ir akumulatoriaus kasetė gali būti sugadinti, o naudotojas sužalotas.

Jei norite išimti akumulatoriaus kasetę, ištraukite ją iš įrankio, stumdami mygtuką, esantį kasetės priekyje. Jei norite įdėti akumulatoriaus kasetę, sulygiuokite liežuvelį ant akumulatoriaus kasetės su grioveliu korpuso ir įstumkite į jai skirtą vietą. Įdėkite iki galo, kol spragtelėdama užsifikuos. Jeigu matote raudoną indikatorių viršutinėje mygtuko pusėje, ji nėra visiškai užfiksuota.

### ⚠ PERSPĖJIMAS.

- Akumulatoriaus kasetę visada įkiškite iki galo, kol nebematysite raudono indikatoriaus. Priešingu atveju kasetė gali atsitiktinai iškristi iš įrankio ir sužeisti jus arba aplinkinius.
- Nekiškite akumulatoriaus kasetės jėga. Jeigu kasetė sunkiai lenda, ją kišate netinkamai.

## Akumulatoriaus apsaugos sistema (ličio jonų akumulatorius su žvaigždutės ženklų) (2 pav.)

Ličio jonų akumulatoriuose su žvaigždutės ženklų būna apsaugos sistema. Ši sistema automatiškai atjungia įrankio maitinimą, kad akumulatorių būtų galima naudoti ilgiau.




Įrankis automatiškai išsijungs darbo metu, esant vienai iš šių įrankio ir (arba) akumulatorius naudojimo sąlygų:

- Perkrautas:  
įrankis naudojamas taip, kad jame neįprastai padidėja elektros srovė.  
Toku atveju atleiskite įrankio gaiduką ir nutraukite darbą, dėl kurio kilo įrankio perkrova. Tada vėl paspauskite gaiduką, kad vėl įjungtumėte įrankį. Jeigu įrankis neįsijungia, reiškia perkaito akumulatorius. Toku atveju palaukite, kol akumulatorius atvės, paskui vėl paspauskite gaiduką.
- Žema akumulatoriaus įtampa:  
likusi akumulatoriaus galia per žema, todėl įrankis neveiks. Toku atveju išimkite akumulatorių ir jį įkraukite.

## Likusios akumulatoriaus galios rodymas (3 pav.)

(Atsižvelgiant į šalį)

Paspaudus gaiduką, diodinio apšvietimo ekrane rodoma likusi akumulatoriaus galia kaip nurodyta toliau esančioje lentelėje.

LED indikatoriaus busena	Likusi akumulatoriaus galia
	Maždaug 50 % arba daugiau
	Maždaug 20 %–50 %
	Maždaug mažiau nei 20 %

### PASTABA.

- Diodinio apšvietimo ekranas užgęsta praėjus maždaug vienai minutei nuo gaiduko atleidimo, kad būtų taupoma akumulatoriaus energija. Norėdami patikrinti likusią akumulatoriaus galią, lengvai spustelėkite gaiduką.
- Jeigu įkrovus akumulatoriaus kasetę diodinio apšvietimo ekranas vis tiek užsidega ir įrankis išsijungia, palaukite, kol įrankis visiškai atvės. Jeigu būsena vis tiek nepasikeičia, atiduokite įrankį vietiniam „Makita“ techninės priežiūros centrui, kad jį sutaisytų.

## NAUDOJIMO TVARKA

Perskaitykite, supraskite ir laikykitės visų saugos instrukcijų ir naudojimo tvarkos. Jei nesuprantate instrukcijų arba jei tinkamam naudojimui sąlygos nėra tinkamos, šio įrankio nenaudokite. Pasitarkite su vadovu ar kitu atsakinguoju asmeniu.

### ⚠ ĮSPĖJIMAS.

- Prieš įdėdami akumulatorių į įrankį, nespauskite ir atleiskite gaiduką, įsitikindami, kad atleistas jis grįžta. Nuspaudus gaiduką, variklis veikia. Gaiduką atleidus, variklis išsijungia.

## Jungiklio fiksatoriaus naudojimas (4 pav.)

- Įspauskite jungiklio fiksatorių A pusėje. Jungiklis yra affiksuotas, todėl gaiduką galima naudoti.
- Įspauskite jungiklio fiksatorių B pusėje. Jungiklis yra užfiksuotas, todėl gaiduko naudoti negalima.

### ⚠ PERSPĖJIMAS.

- Kai nenaudojate, visada užfiksuokite gaiduką.

### ⚠ ĮSPĖJIMAS.

- Prieš naudojimą įsitinkinkite, kad operatoriaus vieta įrankio atžvilgiu ir aplinka yra saugios darbui. Užsidėkite apsauginius akinius ir dėvėkite apsauginius drabužius.
- Vadovaukitės šioje instrukcijoje pateiktomis įrankio techninėmis sąlygomis ir nepjunkite armatūros, kurios dydis arba kietumas viršija įrankio pjovimo pajėgumą.
- Nepjunkite kitų nei armatūra medžiagų. Jei norite pjauti kitas medžiagas, kreipkitės į gamintoją.

### **⚠️ ĮSPĖJIMAS.**

- Nedelsdami pakeiskite pažeistus (skilusius, lūžusius, sutrūkusius) arba deformuotus peilius. Peilis blogai pjaus, jis gali lūžti ir sunkiai sužaloti.

## **Pjovimo darbų tvarka**

### **⚠️ ĮSPĖJIMAS.**

- **Niekada nenaudokite įrankio, tinkamai neuždėję apsauginio gaubto.** Kitaip galite sunkiai susižeisti. **(5 pav.)**
  - Apsauginis gaubtas – tai priemonė, skirta apsaugoti, kad fragmentai nebūtų metami operatoriaus link. Jis neapsaugos nuo išmetimo armatūros ašine kryptimi. Stovėkite tokioje vietoje, kad apsauginis gaubtas blokuotų fragmentus.
  - Kai kuriuose paveikslėliuose apsauginis gaubtas neparodytas, bet tai yra tam, kad būtų matoma, kas yra po apsauginiu gaubtu. Visada naudokite apsauginį gaubtą.
1. Tarp peilių įtaisykite pjautiną armatūrą. **(6 pav.)** Nustatykite stabdiklį pagal pjautinos armatūros skersmenį, kad armatūra būtų 90 laipsnių kampu peilių atžvilgiu. Pjaunant stabdiklis prilaiko armatūrą ir ją laiko statmeną peilių atžvilgiu. **(7 pav.)**

### **⚠️ ĮSPĖJIMAS.**

- Kai pjaunate armatūrą, nustatykite stabdiklį pagal pjautinos armatūros skersmenį, kad armatūra būtų 90 laipsnių kampu peilių atžvilgiu. To nepadarius, nupjauta dalis gali nuskrieti ir sunkiai sužaloti operatorių ar pašalinius asmenis. Visada patikrinkite operatoriaus padėtį įrankio atžvilgiu ir užtikrinkite operatoriaus bei aplinkos saugą.
2. Įkiškite armatūrą pakankamai giliai tarp ašmenų, kad ji neliestų apsauginio gaubto. **(8 pav.)**

### **⚠️ ĮSPĖJIMAS.**

- Jei pjautina armatūra nebus visiškai įtaisyta tarp peilių, peiliai bus sugadinti; armatūra bus staigiai išmesta, todėl gali sunkiai sužaloti.

### **⚠️ ĮSPĖJIMAS.**

- Nepjaukite armatūros, kai pjautinos dalies ilgis mažesnis kaip 200 mm. Pjaunant trumpesnio ilgio armatūrą, ji gali nuskrieti ir sunkiai sužaloti. **(9 pav.)**

### **⚠️ ĮSPĖJIMAS.**

- Nepjaukite armatūros, kai jos tinkamai neprilaiko stabdiklis. Pjaudami laikykite armatūrą stabdiklio pusėje. **(10, 11 pav.)** To nepadarius, nupjauta dalis gali nuskrieti ir sunkiai sužaloti operatorių ar pašalinius asmenis.
3. Įspauskite jungiklio fiksatorių A pusėje. Jungiklis yra atfiksotas, todėl gaiduką galima naudoti.
  4. Norėdami pradėti pjauti, nuspauskite gaiduką. Pjaustytuvo strypas judės į priekį ir pjaus armatūrą. Laikykite jungiklį nuspausta, kol pjaustytuvo strypas sustos eigos pabaigoje.

5. Kai baigėte pjauti, o pjaustytuvo strypas pasiekė eigos pabaigą, gaiduką atleiskite. Tada pjaustytuvo strypas automatiškai sugrįš į pradinę padėtį. Jei eiga nebus baigta, pjaustytuvo strypas negrįš. Lygiai taip pat, pjaustytuvo strypas negalės dar kartą pajudėti, jei visiskai negrįžo į pradinę padėtį. Nuspauskite gaiduką, kad galėtumėte pradėti pjauti dar kartą, tačiau tik tada, kai pjaustytuvo strypas visiškai grįžo į pradinę padėtį ir sustojo.

### **⚠️ ĮSPĖJIMAS.**

- Pjaunant didelio įtempimo stiprumo armatūrą, nupjauta dalis gali nuskrieti ir sunkiai sužaloti operatorių. Prieš darbą užsidėkite apsauginius akinius ir patikrinkite, ar aplinka yra saugi.

### **⚠️ ĮSPĖJIMAS.**

- Dirbdami saugokite rankas ir veidą nuo peilių, judamųjų dalių ir pjovimo vietos. Iš karto po naudojimo iš įrankio išimkite akumuliatorių.

### **PASTABA.**

- Jeigu įrankio korpuso temperatūra viršija 70 °C (160 °F), įrankio pajėgumas sumažėja. Šiuo atveju nustokite naudoti įrankį ir palaukite, kol jis atvės.

### **PASTABA.**

- Pasirūpinkite, kad strypo laikiklio gale esančioje angoje nebūtų nešvarumų ir nuolaužų. Oro anga kontroliuoja vidinį slėgį, todėl negali būti užkimšta. **(12 pav.)**

## **Variklio sukimosi funkcija (13 pav.)**

Darbo metu variklio korpusas gali sukisti 360 laipsnių kampu, bet kuria kryptimi. Ši ypatybė itin naudinga dirbant nepatogiose ir siaurose vietose, kadangi leidžia operatoriui nustatyti įrankį į geriausią padėtį, kad jį būtų lengva naudoti.

## **Grįžtamojo vožtuvo naudojimas (14 pav.)**

Grįžtamojo vožtuvo funkcija – leisti pjaustytuvo strypui grįžti į pradinę padėtį, jei jam nepavyksta nupjauti arba jis užstrigo. Atlaisvinus grįžtamąjį vožtuvą puse pasukimo, sumažės alyvos slėgis ir pjaustytuvo strypas galės sugrįžti. Prieš pradėdami kitą darbą, iš naujo priveržkite grįžtamąjį vožtuvą, kai pjaustytuvo strypas visiškai sugrįžo atgal.

## **PEILIŲ KEITIMO TVARKA**

Jei peilių pjovimo kraštai yra šilę, sutrūkę, deformuoti ar kaip nors pažeisti, jų pjovimo pajėgumas suprastės. Pjaunant tokiomis sąlygomis galima padaryti daugiau žalos ir susižaloti. Nustačius pažeidimą, peilius būtina nedelsiant pakeisti.

### **⚠️ ĮSPĖJIMAS.**

- Keisdami peilius įsitinkinkite, kad iš įrankio išėmėte akumuliatorių, kad įrankis negalėtų pradėti veikti netyčia.

Įsitinkinkite, kad A peilis ant pjaustytuvo laikiklio ir B peilis ant pjaustytuvo strypo yra pritvirtinti tinkamose padėtyse. **(15 pav.)**

1. Išsukite varžtus ir poveržles, fiksuojančias A ir B peilius.
2. Pašalinkite nešvarumus ir nuvalykite paviršius, prie kurių bus tvirtinami nauji peiliai.

3. Pritvirtinkite A peilį prie strypo laikiklio, o B peilį – prie pjaustytuvo strypo. Pakeiskite varžtus ir poveržles, tada patikimai užveržkite.

#### **⚠️ ĮSPĖJIMAS.**

- A ir B peilius laikinčius varžtus reikia reguliariai priveržti. Atsilaisvinus varžtams, peiliai gali būti apgadinti, todėl gali sužaloti.

## **Atsarginio peilio tipas ir nuėmimas (16 pav.)**

Fiksuojantieji varžtai turi būti tvirtai užveržti.

Periodiškai patikrinkite, ar peilis tinkamai užveržtas.

Atsarginio peilio dydis

● Šia lentele vadovaukitės, norėdami nustatyti, kokie peiliai tinka jūsų modeliui.

Modelis	A (pritvirtintas prie strypo laikiklio)	B (pritvirtintas prie pjaustytuvo strypo)
DSC163 (ø3–16)	22 × 17 × 9 mm (5 mm varžtas)	22 × 17 × 8 mm (5 mm varžtas)

#### **PASTABA.**

- Naudokite tik originalius „Makita“ peilius.

## **ALYVOS ĮPYLIMAS**

Šios belaidės armatūros kirpimo žirklės yra elektrohidraulinės. Iš gamyklos išsiųstas įrankis buvo pripildytas alyvos. Nemėginkite papildyti alyvos, jei įrankis veikia tinkamai. Bėgant laikui alyvos lygis palaipsniui sumažės. Galiausiai pastebėsite, kad pastebimai suprastėjo įrankio našumas. Taip nutikus, įpilkite alyvos, kaip nurodyta toliau.

1. Tarp peilių padėkite armatūrą ir nuspauskite gaiduką.
2. Atleiskite gaiduką, kol dar nebuvo visiškai nupjauta, kad įrankis būtų sustabdytas.
3. Išimkite akumuliatorių iš įrankio, kad peiliai netyčia nepajudėtų.
4. Išsukite varžtą (SB10x15), kuriuo užfiksuotas alyvos įpylimo angos dangtelis. Įpilkite alyvos, tačiau būkite atsargūs, kad jos neišlietumėte į variklį.
5. Įdėkite varžtą (SB10x15) ir patikimai užveržkite.
6. Gražinkite akumuliatorių į įrankį ir baikite pjauti.
7. Pakartokite pirmiau nurodytus veiksmus kelis kartus, kol alyvos lygis taps tinkamas.

#### **⚠️ PERSPĖJIMAS.**

- Šiam įrankiui reikia naudoti tik gryną hidraulinę alyvą, kurią rekomenduoja „Makita“. Rekomenduojamos alyvos – „Makita“ tiekiamą hidraulinę alyvą, „Super Hyrando #46“ („JX Nippon Oil & Energy Corp.“), „Shell Tellus Plus #46“ („U.S. Shell“) arba tapačių techninių duomenų nuo dėvėjimosi apsauganti hidraulinė alyva, kurios ISO klampumo klasė 46. Nenaudokite kitos alyvos, nes ji gali pažeisti sandariklius ir kitas vidines įrenginio dalis.

# GEDIMŲ ŠALINIMAS

## ⚠️ ĮSPĖJIMAS.

- Prieš dirbdami prie įrenginio, išimkite akumuliatorių.

PROBLEMA	PRIEŽASTIS	ŠPRENDIMAS
Neišsitiesia pjaustytuvo strypas.	Nepakankamai alyvos	Įpilkite alyvos. (Žr. skirsnį „Alyvos įpylimas“)
	Pjaustytuvo strypas grįžo nevisišškai, kadangi tarp pjaustytuvo strypo ir strypo laikiklio susikaupė nuolaužų.	Stumkite pjaustytuvo strypą atgal rankiniu būdu. Pašalinkite nuolaužas ir išvalykite.
	Pjaustytuvo strypas sugrįžo nevisišškai, kadangi yra sugadintas.	Pakeiskite pjaustytuvo strypą.
	Pjaustytuvo strypas sugrįžo nevisišškai, kadangi peiliai atsilaisvinę arba pažeisti.	Užveržkite peilio varžtus. Pakeiskite peilius.
	Pjaustytuvo strypas sugrįžo nevisišškai, kadangi grįžtamoji spyruoklė silpna.	Pakeiskite grįžtamąją spyruoklę.
Nepakanka galios armatūrai pjauti.	Nepakankamai alyvos.	Įpilkite alyvos. (Žr. skirsnį „Alyvos įpylimas“)
	Grįžtamasis vožtuvas nustatytas ne į tinkamą vietą arba jo vieta pažeista.	Nuvalykite grįžtamojo vožtuvo galiuką ir vietą. Nuo įtaisymo vietos pašalinkite subraižymus.
	Sugadintas grįžtamasis vožtuvas.	Pakeiskite.
	Netinkamas tarpas tarp cilindro ir stūmoklio.	Pakeiskite stūmoklį (pastaba: stūmokliai gali būti skirtingo dydžio)
	Kontrolinis vožtuvas nustatytas ne į tinkamą vietą arba jo vieta pažeista.	Nuvalykite kontrolinį vožtuvą ir jo vietą. Pakeiskite.
Pažeista arba sulaužyta uretano pakuotė.	Pakeiskite.	
Prateka alyva.	Sugadinta arba sulaužyta alyvos lygio nustatymo pūslė.	Pakeiskite.
	Pažeistas pjaustytuvo strypo / strypo laikiklio sandarinimo žiedas; strypo / strypo laikiklio paviršius subraižytas arba su grioveliais.	Pakeiskite atsarginį žiedą ir sandarinimo žiedą. Pakeiskite pjaustytuvo strypą / strypo laikiklį.
	Pažeistas cilindro / strypo laikiklio sandarinimo žiedas.	Pakeiskite sandarinimo žiedą.
	Pažeistas cilindro / siurblio korpuso tarpiklis.	Pakeiskite B movą.
	Strypo laikiklio / cilindro / siurblio korpuso, jungės varžtai atsilaisvinę.	Užveržkite varžtus.
Nejuda variklis. Variklis sukasi iš lėto arba netinkamai.	Netinkama įtampa.	Įkraukite akumuliatorių.
	Baigiasi akumuliatoriaus naudojimo trukmė.	Pakeiskite akumuliatorių.
	Dėl perkaitimo pažeistas NS variklis.	Pakeiskite NS variklį.
	Pažeisti arba sulūžę NS variklio guoliai arba pavara.	Pakeiskite guolius arba pavarą.

## PASTABA.

- Siurblio ir stūmoklio srities vidiniai komponentai nustatyti labai tiksliai, todėl jie labai jautrūs pažeidimams dėl dulkių, nešvarumų, hidraulinio skysčio teršalų ar netinkamo tvarkymo. Norint išardyti siurblio korpusą reikia specialių įrankių ir mokymo, todėl tai turėtų atlikti tik kvalifikuoti remonto darbuotojai, kurie buvo tinkamai išmokyti ir turi tinkamų įrankių. Netinkamai atliekant elektrinių komponentų techninę priežiūrą gali susidaryti sąlygos, dėl kurių galima sunkiai susižaloti. Siurblių, stūmoklio komponentus ir visas elektros dalis turi prižiūrėti tik įgaliotosios remonto dirbtuvės, prekybos atstovas arba platintojas.



# TECHNINĖ PRIEŽIŪRA

## PERSPĖJIMAS.

- Visuomet įsitikinkite, kad įrankis yra išjungtas ir akumulatoriaus kasetė yra nuimta, prieš atlikdami apžiūrą ir priežiūrą.
- Niekada nenaudokite gazolino, benzino, tirpiklio, spirito arba panašių medžiagų. Gali atsirasti išblukimų, deformacijų arba įtrūkimų.

Norint, kad gaminys būtų SAUGUS ir PATIKIMAS, jį taisyti, apžiūrėti ar vykdyti bet kokią kitą priežiūrą ar derinimą turi įgaliotasis bendrovės „Makita“ techninės priežiūros centras; reikia naudoti tik bendrovės „Makita“ pagamintas atsargines dalis.

## PASIRENKAMI PRIEDAI

### PERSPĖJIMAS.

- Šiuos papildomus priedus arba įtaisus rekomenduojama naudoti su šioje instrukcijoje nurodytu „Makita“ bendrovės įrankiu. Naudojant bet kokius kitus papildomus priedus arba įtaisus, gali kilti pavojus sužeisti žmones. Naudokite tik nurodytam tikslui skirtus papildomus priedus arba įtaisus.

Jeigu norite daugiau sužinoti apie tuos priedus, kreipkitės į artimiausią „Makita“ techninės priežiūros centrą.

- Originalūs „Makita“ akumulatorius ir įkroviklis

### PASTABA.

- Kai kurie sąrašė esantys priedai gali būti pateikti įrankio pakuotėje kaip standartiniai priedai. Jie įvairiose šalyse gali skirtis.

Üldvaate selgitus

- |                   |                          |                         |
|-------------------|--------------------------|-------------------------|
| 1. Punane näidik  | 10. Kaitsekate           | 19. Tera B (õhem tera)  |
| 2. Nupp           | 11. Tugivarras           | 20. Polt (pikem)        |
| 3. Akukasset      | 12. Terad                | 21. Polt (lühem)        |
| 4. Tähemärgis     | 13. Stopper              | 22. Seib                |
| 5. Leednäidik     | 14. Üle 200 mm           | 23. Latiheidik          |
| 6. Lüliti lukk    | 15. Öhuava               | 24. Lõikurvarras        |
| 7. Lüliti päästik | 16. Kuuskantvõti         | 25. Tera A latihoidik   |
| 8. Külg A         | 17. Tagasipöördumisklapp | 26. Tera B lõikurvardal |
| 9. Külg B         | 18. Tera A (paksem tera) | 27. Varuterad           |

**TEHNILISED ANDMED**

Mudel	DSC163
Max lõikevõimsus (diam mm)	16 mm
Tase 40 - tase 60	
Tase 40: tõmbetugevus 490 N/mm <sup>2</sup> 70 000 PSI	
Tase 60: tõmbetugevus 620 N/mm <sup>2</sup> 90 000 PSI	
Lõikamiskiirus	2,8 sekundit
Üldpikkus	360 mm
Netokaal	6,9 kg
Nimipinge	Alalisvool 18V

- Meie pideva uuringu- ja arendusprogrammi tõttu võidakse tehnilisi andmeid muuta ilma sellest ette teatamata.
- Tehnilised andmed ja akukassetid võivad riigiti erineda.
- Mass koos akukassetiga, EPTA-protseduuri 01.2014 kohaselt

**Sobiv akukasset**

BL1830 / BL1830B / BL1840 / BL1840B / BL1850 / BL1850B / BL1860B

- Mõned eespool loetletud akukassetid ei pruugi olla teie riigis saadaval.

**⚠ HOIATUS!**

- **Kasutage ainult ülalpool loetletud akukasseid.** Muude akukassetide kasutamine võib tekitada vigastusi ja/või tulekahju.

**Sümbolid**

Alljärgnevalt kirjeldatakse seadmetel kasutatavaid tingimärke. Enne seadme kasutamist tehke endale selgeks nende tähendus.



..... Lugege juhendit.



..... Ainult ELI riiکیدes

Ärge visake elektriseadmeid ja akusid ära koos majapidamisjätmetega!

Kooskõlas Euroopa Parlamendi ja nõukogu direktiividega elektri- ja elektroonikaseadmete jätmete, patareide ja akude, patarei- ja akujätmete kohta ning liikmesriikide seadustega tuleb kasutuskõlbmatuks muutunud elektriseadmed ja akud koguda eraldi ning keskkonناسäästlikult ringlusse võtta.

**Kavandatud kasutus**

Antud seade on mõeldud tugivarda lõikamiseks.

**Müra**

Tüüpiline A-korrigeeritud müratase, määratud vastavalt standardile EN60745-1.

Müratase (LpA): 78 dB (A)

Määramatus (K): 3 dB (A)

Töötamisel võib müratase ületada 80 dB (A).

**Kasutage kõrvakaitsemeid.****Vibratsioon**

Vibratsiooni koguväärtus (kolmeteljelise vektori summa) on määratud vastavalt standardile EN60745-1.

Töörežiim: tugivarda lõikamine

Vibratsiooniheid (a<sub>h</sub>): 2,5 m/s<sup>2</sup> või vähemMääramatus (K): 1,5 m/s<sup>2</sup>

- Deklareeritud vibratsiooniheid väärtus on mõõdetud kooskõlas standardse katsemeetodiga ning seda võib kasutada ühe seadme võrdlemiseks teisega.
- Deklareeritud vibratsiooniheid väärtust võib kasutada ka mürataseme esmaseks hindamiseks.

## ⚠ HOIATUS!

- Vibratsioonitase võib elektritööriista tegelikkuses kasutamise ajal erineda deklareeritud väärtusest olenevalt tööriista kasutamisiisidest.
- Rakendage operaatori kaitsmiseks kindlasti piisavaid ohutusabinõusid, mis põhinevad hinnangulisel müratasemel tegelikus töösiituatsioonis (võttes arvesse töötsükli kõiki osasid, mitte ainult töötamisega, näiteks aeg, kui seade lülitatakse välja ja kui see töötab tühikäigul).

## EÜ vastavusdeklaratsioon

### Ainult Euroopa riikide puhul

EÜ vastavusdeklaratsioon sisaldub käesoleva juhendi lisa A.

## Üldised elektritööriistade ohutushoiatused

⚠ HOIATUS! Lugege läbi kõik selle elektritööriistaga kaasas olevad ohutushoiatused, juhised, joonised ja tehnilised andmed. Järgnevate juhiste eiramine võib põhjustada elektrilöögi, süttimise ja/või raske kehavigastuse.

## Hoidke edaspidisteks viideteks alles kõik hoiatused ja juhtnõrid.

Hoiatuses kasutatud termini „elektritööriist“ all peetakse silmas elektriga töötavaid (juhtmega) elektritööriistu või akuga töötavaid (juhmata) elektritööriistu.

### Tööpiirkonna ohutus

1. **Tööpiirkond peab olema puhas ja hästi valgustatud.** Asju täiskujutatud või pimedad alad soodustavad õnnetuste teket.
2. **Ärge kasutage elektritööriistu plahvatusohtlikus keskkonnas, nagu tuleohtlike vedelike, gaaside või tolmu läheduses.** Elektritööriistad tekitavad sädemeid, mis võivad süüdata tolmu või auru.
3. **Hoidke lapsed ja kõrvalised isikud elektritööriistaga töötamise ajal eemal.** Tähelepanu hajumisega võib kaasnedda kontrolli kaotus.

### Elektriohutus

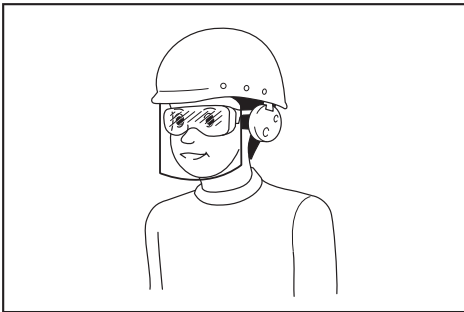
1. **Elektritööriistade pistik peab sobima pistikupesaga. Ärge kunagi muutke pistikut mis tahes moel. Ärge kasutage adapterpistikuid maandatud elektritööriistadega.** Muutmata pistikud ja sobivad pistikupesad vähendavad elektrilöögriski.
2. **Vältige keha kokkupuudet maandatud pindadega, nagu torud, radiaatorid, pliidid ja külmikud.** Eksisteerib suurenenud elektrilöögrisk, kui teie keha on maandatud.
3. **Elektritööriistad ei tohi sattuda vihma kätte või märga kohta.** Elektritööriista sisse läinud vesi suurendab elektrilöögriski.

4. **Ärge kahjustage toitejuhet. Ärge kunagi kasutage elektrijuhet elektritööriista kandmiseks, tõmbamiseks või pistikupesast väljatõmbamiseks. Hoidke juhe eemal kuumast, õlist, teravatest nurkadest või liukuvatest osadest.** Kahjustatud või sassis juhtmest suurendavad elektrilöögriski.
5. **Kui töotate elektritööriistaga välistingimustes, kasutage sellist pikendusjuhet, mis sobib väljas kasutamiseks.** Välistingimustesse sobiva pikendusjuhtme kasutamine vähendab elektrilöögriski.
6. **Kui niisokes asukohas elektritööriistaga töötamine on vältimatu, kasutage lekkevoolukaitsmega (RCD) kaitsitud vooluahelat.** RCD kasutamine vähendab elektrilöögiohtu.
7. **Mootortööriistad võivad tekitada elektromagnetvälju (EMV), mis ei ole kasutajale kahjulikud.** Küll aga peaksid südamestimulaatorite ja teiste samaste meditsiiniseadmetega kasutajad võtma enne mootortööriista kasutamist nõu saamiseks ühendust oma seadme tootja ja/või arstiga.

### Isiklik ohutus

1. **Püsige ergas, jälgige pidevalt, mida teete, ning kasutage elektritööriistaga töötamisel tervet mõistust. Ärge kasutage elektritööriista, kui olete väsinud või narkootikumide, alkoholi või ravimite mõju all.** Elektritööriistadega töötades võib tähelepanematus endaga kaasa tuua tõsised tervisekahjustusi.
2. **Kasutage isikukaitsesevahendeid. Kandke alati silmakaitsemeid.** Kaitsevahendid, näiteks oludesse sobiv tolmutmask, libisemiskindlad turvajalatsid, kõva peakate või kõrvaklapid, vähendavad tervisekahjustusi.
3. **Vältige juhukäivitust. Enne tööriista vooluvõrgu ja/või akuga ühendamist, ülesvõtmist või kandmist veenduge, et lüliti oleks väljalülitatud asendis.** Elektritööriistade kandmine näppu lülitil hoides või sisse lülitatud tööriista pingestamine suurendab õnnetuse tekkimise ohtu.
4. **Eemaldage reguleerimis- ja mutrivõtmed enne elektritööriista käivitamist.** Mutrivõti või mingi muu võti, mis on jäetud elektritööriista pöörleva osa külge, võib põhjustada tervisekahjustusi.
5. **Ärge küünitage liiga kaugele ette. Hoidke kogu aeg jalad kindlalt maas ning hoidke tasakaalu.** See tagab parema kontrolli elektritööriista üle ootamatutes olukordades.
6. **Riietuge kohaselt. Ärge kandke lahtisi riideid ega ehteid. Hoidke juuksed ja riided liikuvatest osadest eemal.** Lahtised riided, ehted ja pikad juuksed võivad liikuvate osade külge jääda.
7. **Kui seadmed on varustatud tolmueraldus- ja kogumisvahenditega, veenduge, et need oleks ühendatud ja neid kasutataks õigesti.** Tolmu kogumise kasutamine võib vähendada tolmu seotud riske.
8. **Ärge laske tööriistade sagedase kasutamise tulemusel tekkival enesekindlusel muuta end hooletuks ega tööriista ohutuspõhimõtteid eiravaks.** Hooletus võib vaid murdosa sekundi vältel põhjustada raske vigastuse.

9. Kandke elektritööriistu kasutades oma silmade vigastuste eest kaitsmiseks alati kaitseprille. Prillid peavad vastama USA-s standardile ANSI Z87.1, Euroopas standardile EN 166 või Austraalias/Uus-Meremaal standardile AS/NZS 1336. Austraalias/Uus-Meremaal on näo kaitsmiseks seadusega nõutud ka näokaitsme kasutamine.



Tööandja kohustus on nõuda, et tööriista operaatorid ja teised tööpiirkonnas viibivad isikud kannaksid sobivat ohutusvarustust.

#### Elektritööriista kasutamine ja hooldus

1. **Ärge kasutage elektritööriista suhtes jõudu. Kasutage tööks sobilikku elektritööriista.** Elektritööriist töötab paremini ja ohutumalt viisusel, mis on tööks ette nähtud.
2. **Ärge kasutage elektritööriista, kui seda ei saa lülitist sisse ja välja lülitada.** Iga elektritööriist on ohtlik, kui seda ei saa lülitist sisse või välja lülitada, ning see tuleb parandada.
3. **Enne muudatuste tegemist, tarvikute vahetamist või elektritööriistade ladustamist lahutage pistik vooluvõrgust ja/või eemaldage aku.** Ennetavad ohutusmeetmed vähendavad elektritööriista juhukäivituse riski.
4. **Hoidke elektritööriista, mida ei kasutata, laste käeulastusest eemal ning ärge lubage kõrvalseisjatel, kes pole elektritööriista ja juhendiga tutvunud, elektritööriistaga töötada.** Kogenematute kasutajate käes on elektritööriistad ohtlikud.
5. **Hooldage elektritööriista ja lisatarvikuid. Kontrollige, kas liikuvad osad on tsentreeritud ja liiguvad vabalt, kas esineb katkisi osi või muud, mis võiks elektritööriista tööd mõjutada.** Kui esineb vigastusi, laske elektritööriist enne kasutamist parandada. Paljud õnnetused juhtuvad halvasti hooldatud elektritööriistade tõttu.
6. **Hoidke löikeriistad teravad ja puhtad.** Korralikult hooldatud löikeriistad, millel on teravad lõikeservad, ei kiilu nii lihtsalt kinni ning neid on lihtsam käsitleda.
7. **Kasutage elektritööriista, lisatarvikuid, tööriista lõiketerasid jne juhendite kohaselt, võttes arvesse töötingimusi ja tehtavat tööd.** Elektritööriistade kasutamine selleks mitte ette nähtud eesmärkidel võib kaasa tuua ohtlikke olukordi.
8. **Hoidke käepidemed ja haardepinnad kuivad, puhtad ning õli- ja määrdevabad.** Libisevad käepidemed ja haardepinnad ei lase tööriista ootamatutes olukordades ohutult käsitseda ja juhtida.

9. Tööriista kasutamise ajal ärge kandke riided töökindaid, kuna need võivad kinni jääda. Liikuvate osade külge kinni jäänud riidest töökindad võivad põhjustada kehavigastusi.

#### Aguka tööriista kasutamine ja hooldus

1. **Laadige alati laadijaga, mille tootja on heaks kiitnud.** Laadija, mis sobib kasutamiseks ühte tüüpi akuga, võib kaasa tuua tulekahju, kui seda kasutada koos mõnda teist tüüpi akuga.
2. **Kasutage elektritööriista üksnes spetsiaalselt neile toodetud akudega.** Mis tahes muude akude kasutamine võib tekitada tervisekahjustusi või tulekahju.
3. **Kui akut ei kasutata, ärge hoidke seda koos muude metallesemetega, nagu kirjaklambrid, mündid, võtmed, naelad, kruvid jm väiksed metallesemed, mis võivad tekitada ühenduse klemmide vahel.** Akuklemmide lühis võib põhjustada põletusi ja tulekahju.
4. **Väärkasutamise tagajärjel võib akut valguda välja vedelikku; ärge seda puudutage.** Kui olete selle vedelikuga siiski kogemata kokku puutunud, uhtke kohta veega. Kui vedelik on sattunud silma, minge arsti juurde. Akust väljalagunenud vedelik võib põhjustada ärritust ja põletusi.
5. **Ärge kasutage akupaketti ega tööriista, mis on kahjustatud või muudetud.** Kahjustatud või muudetud akud võivad käituda etteaimamatult, põhjustades süttimis-, plahvatus- või vigastusohu.
6. **Kaitske akupaketti ja tööriista tule ja kõrge temperatuuri eest.** Tule või kõrgema kui 130 °C temperatuuriga kokkupuutumine võib tuua kaasa plahvatused.
7. **Pidage kinni kõigist laadimisjuhustest ja ärge laadige akupaketti ega tööriista väljaspool juhendis märgitud temperatuurivahemikku.** Valesti või väljaspool märgitud temperatuurivahemikku laadimine võib kahjustada akupaketti ja suurendada süttimisohu.

#### Hooldus

1. **Laske elektritööriista hooldada ekspertidel, kes kasutab vaid originaalvaruosi.** Siis püsib elektritööriista ohutus.
2. **Ärge hooldage kahjustatud akupakette.** Akupakette võivad hooldada ainult tootja või ametlikud teenusepakkujad.
3. **Järgige õlitamist ja tarvikute vahetamist puudutavaid juhtnõude.**

## AKUGA ARMATUURILÕIKUR OHUTUSHOIATUSED

1. **Hoidke tööriistast kasutamise ajal tugevalt kinni.** Kui tööriista ei hoita korralikult, võib see lõppeda vigastustega.
2. **Hoidke oma nägu ja käed liikuvatest osadest eemal.** Vigastusohu!

3. **Vabastage lüliti päästik kohe, et töö lõpetada, kui tööriist ei toimi korralikult või kuulete seadme kasutamisel ebataivalist heli. Laske volitatud teeninduskeskusel seade üle vaadata ja parandada.** Vastasel korral võivad kaasneda kahjustused või kehavigastused.
4. **Kui tööriist kukub maha või saab löögi, kontrollige korpest hoolikalt kahjustuste, purunemise ja deformeerumise suhtes.** Sellised kahjustused võivad põhjustada vigastusi.
5. **See tööriist on elektrohüdrauliline tööriist. Õlipaak täidetakse enne kohaletoimetamist. Lisage õli ainult juhul, kui tööriist toimib ebataivaliselt.**
6. **Metallilõikuri teradel on teravad servad.** Hoidke neid ettevaatlikult, et vältida enda vigastamist.
7. **Kahjustatud, deformeerunud või pragunenud terad võivad põhjustada tõsiseid õnnetusi ja kahjustada tööd.** Asendage kohe uute originaalteradega.
10. **Sisalduvatele liitium-ioonakudele võivad kohalduda ohtlike kaupade õigusaktide nõuded.** Kaubanduslikul transportimisel, näiteks kolmandate poolte või transpordiettevõtete poolt, tuleb järgida pakendil ja siltidel toodud erinõudeid. Transportimiseks ettevalmistamisel on vajalik pidada nõu ohtliku materjali eksperdigaga. Samuti tuleb järgida võimalike riiklike regulatsioonide üksikasjalikumaid nõudeid. Katke teibiga või varjake avatud kontaktid ja pakendage aku selliselt, et see ei saaks pakendis liukuda.

## HOIDKE JUHEND ALLES.

### ⚠ HOIATUS!

**ÄRGE UNUSTAGE** järgida toote ohutusnõudeid mugavuse või toote (korduva kasutamisega saavutatud) hea tundmise tõttu. **VALE KASUTUS** või kasutusjuhendi ohutuseeskirjade eiramine võib põhjustada kehavigastusi.

## Akukassetiga seotud olulised ohutusjuhised

1. Enne akukassetti kasutamist lugege (1) akulaadija, (2) akul ja (3) seadmel olevad juhtnõuad ja hoiatused läbi.
2. Ärge võtke akukassetti lahti.
3. Kui tööaeg järsult lüheneb, siis lõpetage kohe kasutamine. Edasise kasutamise tulemuseks võib olla ülekuumenemisoht, võimalikud põletused või isegi plahvatus.
4. Kui elektrolüüti satub silma, siis loputage silma puhta veega ja pöörduge koheselt arsti poole. Selline õnnetus võib põhjustada pimedaksjäämist.
5. Ärge tekitage akukassetis lühist:
  - (1) Ärge puutuge klemme elektrijuhtidega.
  - (2) Ärge hoidke akukassetti tööriistakastis koos metallsemetega, nagu naelad, mündid jne.
  - (3) Ärge tehke akukassetti märjaks ega jätke seda vihma kätte.

Aku lühis võib põhjustada tugevat elektrivoolu, ülekuumenemist, põletusi ning ka seadet tõsiselt kahjustada.

6. Ärge hoidke tööriista ja akukassetti kohtades, kus temperatuur võib tõusta üle 50 °C.
7. Ärge põletage akukassetti isegi siis, kui see on saanud tõsiselt vigastada või on täiesti kulunud. Akukassett võib tules plahvatada.
8. Olge ettevaatlik, ärge laske akul maha kukkuda ja vältige lööke.
9. Ärge kasutage kahjustatud akut.

## HOIDKE JUHEND ALLES.

### ⚠ ETTEVAATUST! Kasutage ainult Makita

originaalakusid. Mitte Makita originaalakude või muudetud akude kasutamine võib põhjustada akude süttimise, kehavigastuse ja kahjustuse. Samuti muudab see kehtetuks Makita tööriista ja laadija Makita garantii.

## Vihjeid aku maksimaalse kasutusaja tagamise kohta

1. Laadige akukassetti enne selle täielikku tühjenemist. Kui märkate, et tööriist töötab väiksema võimsusega, peatage töö ja laadige akukassetti.
2. Ärge laadige täielikult laetud akukassetti. Ülelaadimine lühendab akude kasutusiga.
3. Laadige akukassetti toatemperatuuril 10 °C - 40 °C. Enne laadimist laske kuumenenud akukassetil maha jahtuda.
4. Kui te ei kasuta akukassetti kauem kui kuus kuud, laadige see.

## FUNKTSIONAALNE KIRJELDUS

### ⚠ ETTEVAATUST!

- Kandke alati hoolt selle eest, et tööriist oleks enne reguleerimist ja kontrollimist välja lülitatud ning akukassett eemaldatud.

## Akukassetti paigaldamine või eemaldamine (Joonis 1)

### ⚠ ETTEVAATUST!

- Lülitage tööriist alati enne akukassetti paigaldamist või eemaldamist välja.
- Akukassetti paigaldamisel või eemaldamisel tuleb tööriista ja akukassetti kindlalt paigal hoida. Kui tööriista ja akukassetti ei hoita kindlalt paigal, võivad need käest libiseda ning kahjustada tööriista ja akukassetti või põhjustada kehavigastusi.

Akukassetti eemaldamiseks libistage see tööriista küljest lahti, vajutades kassetti esiküljel paiknevat nuppu alla.

Akukasseti paigaldamiseks joondage akukasseti keel korpuse soonega ja libistage kassett oma kohale. Sisestage see tervenisti, kuni see lukustub klõpsuga oma kohale. Kui näete nupu ülaosas punast näidikut, pole see täielikult lukustunud.

#### ⚠ **ETTEVAATUST!**

- Paigaldage akukassett alati täies ulatuses nii, et punane näidik poleks nähtaval. Muidu võib see juhuslikult tööriistast välja kukkuda ning põhjustada teile või läheduses viibivatele isikutele vigastusi.
- Ärge rakendage akukasseti paigaldamisel jõudu. Kui kassett ei lähe kergesti sisse, sisestate te seda valesti.

## Aku kaitsesüsteem (tähemärgisega liitiumioonaku) (Joonis 2)




Tähemärgisega liitiumioonakud on varustatud kaitsesüsteemiga. Süsteem lülitab aku eluea pikendamiseks tööriista toitevoolu automaatselt välja. Tööriist seiskub käitamise ajal automaatselt, kui tööriista ja/või aku kohta kehtivad järgmised tingimused.

- Ülekoormus: tööriista kasutatakse viisil, mis põhjustab toitevoolu tugevuse tõusu lubatust kõrgemale. Sellises olukorras vabastage tööriistal olev lüliti päästik ja katkestage tegevus, mis põhjustas tööriista ülekoormuse. Seejärel vajutage taaskäivitamiseks uuesti lüliti päästikut. Kui tööriist ei käivitu, on aku ülekuumenenud. Sellisel juhul laske akul maha jahtuda, enne kui uuesti lüliti päästikut vajutate.
- Madal akupinge: aku jääkmahtuvus on liiga väike ja tööriist ei hakka tööle. Sellisel juhul eemaldage aku ja laadige seda.

## Aku jääkmahtuvuse näit (Joonis 3)

(Riigispetsiifiline)

Lüliti päästiku tõmbamisel kuvatakse LED-näidikule aku jääkmahtuvus, nagu on näidatud järgmises tabelis.

LED-indikaatori olek	Aku jääkmahtuvus
	Umbes 50% või rohkem
	Umbes 20%–50%
	Vähem kui umbes 20%

#### **MÄRKUS.**

- LED-näidik lülitub välja umbes üks minut pärast lüliti päästiku vabastamist, et säästa aku energiat. Aku laetuse taseme kontrollimiseks tõmmake kergelt lüliti päästikut.
- Kui LED-näidik süttib, aga tööriist ei tööta isegi siis, kui akukassett on täis laetud, jahutage tööriist täiesti maha. Kui olek ei muutu, siis viige tööriist Makita kohalikku hoolduskeskusesse remonti.

## KASUTAMINE

Luige, mõistke ja järgige kõiki ohutusjuhiseid ning töökorda. Kui te ei järgi juhiseid või kui tingimused ei ole nõuetekohase toimimise jaoks õiged, siis ärge seda tööriista kasutage. Konsulteerige oma ülemuse või muu vastutava isikuga.

#### ⚠ **HOIATUS!**

- Enne aku sisestamist tööriista sisse, vajutage lüliti päästikut ja vabastage see kontrollimaks, kas see naaseb vabastamisel oma kohale.

Mootor lülitatakse lüliti päästiku vajutamise korral sisse ja lüliti päästiku vabastamise korral välja.

## Lüliti luku kasutamine (Joonis 4)

- Vajutage lüliti lukku küljel A. Lüliti on avatud asendis ja päästikut saab kasutada.
- Vajutage lüliti lukku küljel B. Lüliti on lukustatud asendis ja päästikut ei saa kasutada.

#### ⚠ **ETTEVAATUST!**

- Lüliti päästik peaks olema alati olema lukustatud asendis, kui seda ei kasutata.

#### ⚠ **HOIATUS!**

- Enne kasutamist veenduge, et käitaja asend tööriista ja tööala suhtes oleks töötamiseks ohutu. Kandke kaitseprille ja kaitseriietust.
- Vaadake kasutusjuhendist tööriista tehnilisi andmeid ja ärge lõigake tugivarrast, mille suurus või kõvadus pole tööriista lõikamisvõimsuse piires.
- Ärge lõigake muid materjale peale tugivarda. Muude materjalide lõikamise kohta küsige tootjalt.

#### ⚠ **HOIATUS!**

- Vahetage kahjustatud (lõhedega, purunenud, pragudega) või deformeerunud terad kohe välja. Tera ei lõika õigesti ja võib murduda või puruneda, põhjustades raskeid kehavigastusi.

## Lõikamine

#### ⚠ **HOIATUS!**

- **Ärge kunagi kasutage tööriista, kui selle kaitsekate pole paigaldatud.** Selle nõude eiramine võib põhjustada raske kehavigastuse. (Joonis 5)
  - Kaitsekate on varustus, mis hoiab ära fragmentide paiskamise operaatori poole. See ei kaitse samas tugivarda suhtes teljesuunalise eemalepaiskumise eest. Asetsege selliselt, et kaitsekate kaitseks teid fragmentide eest.
  - Osal joonistel pole kaitsekate näidatud, kuid on näidatud kaitsekate sisemust. Kasutage töötamise ajal alati kaitsekate.
1. Pange lõigatav tugivarras terade vahele. (Joonis 6) Reguleerige stopperit vastavalt tugivarda läbimõõdule, et tugivarras jääks lõikamise ajal terade suhtes 90-kraadise nurga alla. Stopper toetab tugivarrast ja hoiab seda lõikamise ajal lõiketerade suhtes risti. (Joonis 7)

### ⚠ HOIATUS!

- Enne tugivarda lõikamist reguleerige stopperit vastavalt tugivarda läbimõõdule, et tugivarras jääks terade suhtes 90-kraadise nurga alla. Ilma reguleerimiseta võib lõigatav tükk lendu minna ja põhjustada käitajale või kõrvalseisjatele raskeid vigastusi. Ärge unustage kontrollida tööriista asendit käitaja suhtes ja veenduge käitaja ning tööala ohutuses.
- 2. Paigutage tugivarras piisavalt sügavale terade vahele, nii et see ei puutuks vastu kaitsekatet. **(Joonis 8)**

### ⚠ HOIATUS!

- Kui lõigatav tugivarras pole korralikult terade vahele pandud, saavad terad kahjustada, tugivarras paiskub jõuliselt välja ja võib põhjustada raskeid vigastusi.

### ⚠ HOIATUS!

- Ärge lõigake tugivarrast, kui lõigatava tüki pikkus on väiksem kui 200 mm. Lühema tüki lõikamine võib lõikamise ajal põhjustada tugivarda lendupaiskumist, millega võivad kaasnedä raskeid kehavigastused. **(Joonis 9)**

### ⚠ HOIATUS!

- Ärge lõigake tugivarrast, kui stopper seda korralikult ei toeta. Lõikamise ajal hoidke tugivarrast stopperipoolsel küljel. **(Joonis 10, 11)** Muudu võib lõigatav tükk lendu paiskuda ja põhjustada käitajale või kõrvalseisjatele raskeid vigastusi.
- 3. Vajutage lüliti lukku küljel A. Lüliti on avatud asendis ja päästikut saab kasutada.
- 4. Lõikamise alustamiseks vajutage lüliti päästikut. Lõikurvarras liigub tugivarda lõikamiseks edasi. Hoidke lüliti all seni, kuni lõikurvarras oma käigu lõpus peatub.
- 5. Vabastage lüliti päästik, kui lõikamine on lõpetatud ja lõikurvarras on jõudnud oma käigu lõpuni. Lõikurvarras liigub seejärel automaatselt tagasi algasendisse. Lõikeriist ei liigu oma algasendisse, kui kõik pole lõpetatud. Samuti ei saa lõikurvarras liikuda edasi, kui see pole naasnud täielikult oma algasendisse. Järgmise lõike käivitamiseks vajutage lüliti alles pärast seda, kui lõikurvarras on jõudnud täielikult oma algasendisse ja peatunud.

### ⚠ HOIATUS!

- Suure tõmbetugevusega tugivarda lõigatud osa võib lendu paiskuda ja põhjustada käitajale raskeid vigastusi. Kandke kaitseprille ja veenduge, et ümbritsev ala oleks enne tööga alustamist ohutu.

### ⚠ HOIATUS!

- Hoidke töötamise ajal käed ja nägu teradest, liikuvatest osadest ning lõikealast eemal. Eemaldage aku tööriistast kohe pärast selle kasutamist.

### MÄRKUS.

- Kui tööriista korpuse temperatuur ületab 70 °C, väheneb tööriista võimekus. Sellisel juhul lõpetage kasutamine ja laske tööriistal maha jahtuda.

### MÄRKUS.

- Hoidke latihoidiku otsas olev õhuava mustusest ja prahist puhas. Õhuava reguleerib siserõhku ja see peab olema takistustevaba. **(Joonis 12)**

## Mootori pöörlemine (Joonis 13)

Mootori korpuset saab töötamise ajal pöörata 360 kraadi mõlemas suunas. See funktsioon on eriti kasulik, kui töötate ebamugavates või kitsastes töötingimustes, kuna see võimaldab käitajal hõlpsalt kasutada tööriista kõige paremas asendis.

## Tagasipöördumisklapi kasutamine (Joonis 14)

Tagasipöördumisklapi funktsioon võimaldab lõikurvardal lähteasendisse naasta, kui see ei saa lõikamist lõpetada või kinni jääb. Tagasipöördumisklapi lõdvendamine poole pöörde võrra vabastab õlirõhu ja laseb lõikurvardal tagasi pöörduda. Kui lõikurvarras on täielikult naasnud, enne järgmise töö alustamist, pingutage tagasipöördumisklappi uuesti.

## TERADE ASENDAMINE

Kui terade lõikeservad on lõhenenud, pragunenud, deformeerunud või kahjustatud, on nende lõikevõime väiksem. Selliste tingimuste korral võib lõikamine põhjustada veelgi kahjustusi ja seeläbi kehavigastuse. Kahjustuste leidmise korral tuleb terad kohe asendada.

### ⚠ HOIATUS!

- Terade asendamisel veenduge, et aku oleks juhusliku käivitamise vältimiseks tööriistast eemaldatud. Veenduge, et lõiketera A oleks õigesti paigaldatud latihoidikule ja lõiketera B õigesti paigaldatud lõikurvardale. **(Joonis 15)**
- 1. Keerake lahti poldid ja seibid, mis hoiavad terasid A ja B.
- 2. Eemaldage mustus ja puhastage pinnad, kuhu tuleb uued terad paigaldada.
- 3. Pange tera A latihoidikule ja tera B lõikurvardale. Pange tagasi poldid ja seibid ning keerake need korralikult kinni.

### ⚠ HOIATUS!

- Polte, mis hoiavad terasid A ja B, tuleb regulaarselt pingutada. Kui poldid pole korralikult kinni keeratud, võivad terad saada kahjustada ja põhjustada kehavigastusi.

## Tagavaratera tüüp ja eemaldamine (Joonis 16)

Kinnituspoldid peavad olema korralikult pingutatud.  
Kontrollige korrapäraselt, et tera oleks korralikult kinni.

Tagavaratera suurus

●Kasutage alljärgnevat tabelit mudeli õigete terade tuvastamiseks.

Mudel	A (kinnitatud latihoidikule)	B (kinnitatud lõikurvardale)
DSC163 (ø3 - ø16)	22 × 17 × 9 mm (poldi suurus 5 mm)	22 × 17 × 8 mm (poldi suurus 5 mm)

### MÄRKUS.

- Kasutage ainult Makita originaalterasid.

## ÕLI LISAMINE

See akuga armatuuriõikur on elektrohüdrauliline. Tehasest tarnimisel on see eelnevalt õliga täidetud. Ärge lisage õli, kui tööriist korralikult töötab. Aja jooksul õlitase väheneb järk-järgult. Lõpuks põhjustab see märkimisväärse jõudluse languse. Kui see juhtub, lisage õli, toimides järgmiselt.

1. Pange tugivarras terade vahele ja vajutage lüliti päästikut.
2. Vabastage lüliti päästik vahetult enne lõike lõpetamist, et tööriist peatada.
3. Eemaldage aku tööriistast, et terad ei saaks juhuslikult liikuda.
4. Eemaldage polt (SB10 × 15), mis katab õli täiteava. Lisage õli, kuid olge ettevaatlik, et õli ei satuks mootorisse.
5. Pange polt (SB10 × 15) tagasi ja pingutage korralikult.
6. Pange aku tööriista sisse ja lõpetage lõiketooming.
7. Korrake ülalpool toodud toimingut korduvalt, kuni on saavutatud õige õlitase.

### ⚠ETTEVAATUST!

- Selles tööriistas tuleks kasutada ainult Makita soovitatud puhast hüdroõli. Soovitatavad õlid: Makita hüdroõli, Super Hyrando #46 (JX Nippon Oil & Energy Corp.); Shell Tellus Plus #46 (U.S. Shell); või samaväärne ISO viskoossusastmega 46 kulumisvastane hüdroõli. Ärge kasutage teisi õlisid, kuna need võivad kahjustada tihendeid ja teisi seadme sisemisi osi.



# VEAOTSING

## ⚠ HOIATUS!

- Enne masina kallal töötamist eemaldage aku.

PROBLEEM	PÕHJUS	LAHENDUS
Lõikurvarras ei laiene.	Ebapiisav õlitase	Lisage õli. (Vt „Õli lisamine”)
	Lõikurvarras ei ole täielikult naasnud oma kohale, kuna lõikurvarra ja latihoidiku vahele on kogunenud mustus.	Lükake lõikurvarras käsi oma kohale. Eemaldage mustus ja puhastage.
	Lõikurvarras ei ole täielikult naasnud oma kohale, kuna lõikurvarras on kahjustatud.	Asendage lõikurvarras.
	Lõikurvarras ei ole täielikult naasnud oma kohale, kuna terad pole korralikult kinnitatud või on kahjustatud.	Pingutage terade polte. Asendage terad.
	Lõikurvarras ei ole täielikult naasnud oma kohale, kuna tagastusvedru on nõrk.	Asendage tagastusvedru.
Ebapiisav jõud tugivarda lõikamiseks.	Ebapiisav õlitase.	Lisage õli. (Vt „Õli lisamine”)
	Tagasipöördumisklapp ei ole korralikult oma kohal või selle pesa on kahjustatud.	Puhastage tagasipöördumisklapi otsa ja selle pesa. Kõrvaldage pesast kriimustused.
	Tagasipöördumisklapp on kahjustatud.	Asendage.
	Vale silindri ja kolvi vaheline kaugus.	Asendage kolb (märkus: saadaval on erineva suurusega kolvid)
	Kontrollklapp ei ole korralikult oma kohal või selle pesa on kahjustatud.	Puhastage kontrollklappi ja selle pesa. Asendage.
Ureetaanpakend on kahjustatud või purunenud.	Asendage.	
Õlilekked.	Õliühthlustaja põis on kahjustatud või purunenud.	Asendage.
	Lõikurvarra/latihoidiku o-rõngas on kahjustatud; lõikurvarra/latihoidiku pind on kriimustatud või sooneline.	Asendage varurõngas ja o-rõngas. Asendage lõikurvarras/latihoidik.
	Silinder/latihoidik, o-rõngas on kahjustatud	Asendage o-rõngas.
	Silindri/pumba korpus, tihend on kahjustatud.	Asendage vooder B.
	Latihoidik / silinder / pumba korpus, ääriku kruvid on lahti.	Pingutage polte.
Mootor ei tööta. Mootor on aeglane või töötab ebauhtlaselt.	Vale pinge.	Laadige akut.
	Aku on oma tööea lõpus.	Asendage aku.
	Alalisvoolumootor on ülekuumenemise tõttu kahjustatud.	Asendage alalisvoolumootor.
	Alalisvoolumootori laagrid või hammasratas on kahjustatud või purunenud.	Asendage laagrid või hammasratas.

## MÄRKUS.

- Pumba ja kolvi piirkonna sisemised komponendid on väga väikeste hälvetega ja on seega väga tundlikud kahjustuste suhtes, mis on põhjustatud tolmust, mustusest, hüdrovedeliku saastumisest või vales käitlemisest. Pumba korpuse lahtivõtmiseks on vaja spetsiaalseid tööriistu ja väljaõpet ning seda peaks tegema ainult kvalifitseeritud töötajad, kellel on nõuetekohane väljaõpe ja õiged tööriistad. Elektriosade ebaõige hooldamine võib põhjustada raskeid vigastusi. Pumpa, kolvikomponente ja kõiki elektrilisi osi peaks teenindama ainult volitatud parandustöökoda, esindaja või edasimüüja.

## HOOLDUS

### ETTEVAATUST!

- Enne kontroll- või hooldustoimingute tegemist kandke alati hoolt selle eest, et tööriist oleks välja lülitatud ja akukassett korpuse küljest eemaldatud.
- Ärge kunagi kasutage bensiini, vedeldit, alkoholi ega muud sarnast. See võib põhjustada lülitumist, deformatsiooni või pragunemist.

Toote OHUTUSE ja TÖÖKINDLUSE tagamiseks tuleb vajalikud parandus- ning muud hooldus- ja reguleerimistööd lasta teha Makita volitatud teeninduskeskustes. Alati tuleb kasutada Makita varuosi.

## VALIKULISED TARVIKUD

### ETTEVAATUST!

- Neid tarvikuid ja lisaseadmeid on soovitatav kasutada koos Makita tööriistaga, mille kasutamist selles kasutusjuhendis kirjeldatakse. Muude tarvikute ja lisaseadmete kasutamisega võib kaasneb vigastusohu. Kasutage tarvikuid ja lisaseadmeid ainult otstarbekohaselt.

Vajaduse korral saate nende tarvikute kohta lisateavet kohalikust Makita teeninduskeskusest.

- Makita originaalaku ja -laadija

### MÄRKUS.

- Mõned nimekirjas loetletud tarvikud võivad olla lisatud põhivarustusena tööriista pakendisse. Need võivad riigiti erineda.

## РУССКИЙ (Оригинальные инструкции)

### Обозначения на иллюстрациях

- |                             |                               |                               |
|-----------------------------|-------------------------------|-------------------------------|
| 1. Красный индикатор        | 10. Защитный кожух            | 19. Нож В (более тонкий нож)  |
| 2. Кнопка                   | 11. Арматурный стержень       | 20. Болт (длиннее)            |
| 3. Блок аккумулятора        | 12. Ножи                      | 21. Болт (короче)             |
| 4. Звездочка                | 13. Ограничитель              | 22. Шайба                     |
| 5. Светодиодный индикатор   | 14. Более 200 мм              | 23. Держатель прутка          |
| 6. Фиксатор переключателя   | 15. Вентиляционное отверстие  | 24. Режущий стержень          |
| 7. Триггерный переключатель | 16. Шестигранный ключ         | 25. Нож А на держателе прутка |
| 8. Сторона А                | 17. Обратный клапан           | 26. Нож В на режущем стержне  |
| 9. Сторона В                | 18. Нож А (более толстый нож) | 27. Запасные ножи             |

## ТЕХНИЧЕСКИЕ ХАРАКТЕРИСТИКИ

Модель	DSC163
Макс. диам. разрезаемого прутка, мм	16 мм
Марка 40 – марка 60	
Марка 40: прочность на растяжение 490 Н/мм <sup>2</sup> (70 000 фунтов/кв. дюйм)	
Марка 60: прочность на растяжение 620 Н/мм <sup>2</sup> (90 000 фунтов/кв. дюйм)	
Скорость резки	2,8 секунды
Общая длина	360 мм
Масса нетто	6,9 кг
Номинальное напряжение	18 В пост. тока

- Поскольку наша программа исследований и разработок действует постоянно, указанные здесь технические характеристики могут быть изменены без предварительного уведомления.
- Технические характеристики и блок аккумулятора могут различаться в зависимости от страны.
- Масса (с блоком аккумулятора) в соответствии с процедурой EPTA 01/2014

### **Подходящий блок аккумулятора**

BL1830 / BL1830B / BL1840 / BL1840B / BL1850 / BL1850B / BL1860B

- В зависимости от региона вашего проживания некоторые блоки аккумуляторов, перечисленные выше, могут быть недоступны.

### **⚠ ОСТОРОЖНО!**

- **Используйте только перечисленные выше блоки аккумуляторов.** Использование других блоков аккумуляторов может привести к травме и/или пожару.

## Символы

Ниже приведены символы, используемые для оборудования. Перед использованием убедитесь, что вы понимаете их значение.



..... Прочитайте руководство по эксплуатации.



..... Только для стран ЕС

Не выбрасывайте электрооборудование или аккумуляторные блоки вместе с бытовым мусором!

В соответствии с европейскими директивами об утилизации электрического и электронного оборудования, о батареях и аккумуляторах, а также использованных батареях и аккумуляторах и их применении в соответствии с местными законами электрооборудование, батареи и аккумуляторы, срок эксплуатации которых истек, должны утилизироваться отдельно и передаваться для утилизации на предприятие, соответствующее применяемым правилам охраны окружающей среды.

### Назначение

Этот инструмент предназначен для резки арматуры.

### Шум

Типичный уровень взвешенного звукового давления (A), измеренный в соответствии с EN60745-1:

Уровень звукового давления (LpA): 78 дБ (A)

Погрешность (K): 3 дБ (A)

Уровень шума при выполнении работ может превышать 80 дБ (A).

### Используйте средства защиты слуха

### Вибрация

Суммарное значение вибрации (сумма векторов по трем осям), определенное в соответствии с EN60745-1:

Режим работы: резка арматуры

Распространение вибрации ( $a_{H1}$ ): 2,5 м/с<sup>2</sup> или менее

Погрешность (K): 1,5 м/с<sup>2</sup>

- Заявленное значение распространения вибрации измерено в соответствии со стандартной методикой испытаний и может быть использовано для сравнения инструментов.
- Заявленное значение распространения вибрации можно также использовать для предварительных оценок воздействия.

### ⚠ ОСТОРОЖНО!

- Распространение вибрации во время фактического использования электроинструмента может отличаться от заявленного значения в зависимости от способа применения инструмента.

- Обязательно определите меры безопасности для защиты оператора, основанные на оценке воздействия в реальных условиях использования (с учетом всех этапов рабочего цикла, таких как выключение инструмента и его работа без нагрузки при включении).

## Декларация о соответствии ЕС

### Только для европейских стран

Декларация о соответствии ЕС включена в руководство по эксплуатации (Приложение А).

## Общие рекомендации по технике безопасности для электроинструментов

**⚠ ОСТОРОЖНО!** Ознакомьтесь со всеми представленными инструкциями по технике безопасности, указаниями, иллюстрациями и техническими характеристиками, прилагаемыми к данному электроинструменту. Несоблюдение каких-либо инструкций, указанных ниже, может привести к поражению электрическим током, пожару и/или серьезной травме.

## Сохраните брошюру с инструкциями и рекомендациями для дальнейшего использования.

Термин “электроинструмент” в предупреждениях относится ко всему инструменту, работающему от сети (с проводом) или на аккумуляторах (без провода).

### Безопасность в месте выполнения работ

1. **Рабочее место должно быть чистым и хорошо освещенным.** Захламление и плохое освещение могут стать причиной несчастных случаев.
2. **Не пользуйтесь электроинструментом во взрывоопасной атмосфере, например в присутствии легко воспламеняющихся жидкостей, газов или пыли.** При работе электроинструмента возникают искры, которые могут привести к воспламенению пыли или газов.
3. **При работе с электроинструментом не допускайте детей или посторонних к месту выполнения работ.** Не отвлекайтесь во время работы, так как это приведет к потере контроля над электроинструментом.

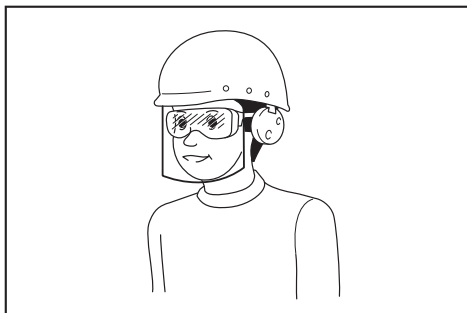
### Электробезопасность

1. **Вилка электроинструмента должна соответствовать сетевой розетке. Запрещается вносить какие-либо изменения в конструкцию вилки. Для электроинструмента с заземлением запрещается использовать переходники.** Розетки и вилки, не подвергавшиеся изменениям, снижают риск поражения электрическим током.

2. **Избегайте контакта участков тела с заземленными поверхностями, такими как трубы, радиаторы, батареи отопления и холодильники.** При контакте тела с заземленными предметами увеличивается риск поражения электрическим током.
3. **Не подвергайте электроинструмент воздействию дождя или влаги.** Попадание воды в электроинструмент повышает риск поражения электрическим током.
4. **Аккуратно обращайтесь со шнуром питания. Запрещается использовать шнур питания для переноски, перемещения или извлечения вилки из розетки. Располагайте шнур на расстоянии от источников тепла, масла, острых краев и движущихся деталей.** Поврежденные или запутанные сетевые шнуры увеличивают риск поражения электрическим током.
5. **При использовании электроинструмента вне помещений используйте удлинитель, подходящий для этих целей.** Использование соответствующего шнура снижает риск поражения электрическим током.
6. **Если электроинструмент приходится эксплуатировать в сыром месте, используйте линию электропитания, которая защищена устройством, срабатывающим от остаточного тока (RCD).** Использование RCD снижает риск поражения электротоком.
7. **Электроинструмент может создавать электромагнитные поля (EMF), которые не представляют опасности для пользователей.** Однако пользователям с кардиостимуляторами и другими аналогичными медицинскими устройствами следует обратиться к производителю устройства и/или врачу перед началом эксплуатации инструмента.
3. **Не допускайте случайного запуска. Прежде чем подсоединять инструмент к источнику питания и/или аккумуляторной батарее, поднимать или переносить инструмент, убедитесь, что переключатель находится в выключенном положении.** Переноска электроинструмента с пальцем на выключателе или подача питания на инструмент с выключенным выключателем может привести к несчастному случаю.
4. **Перед включением электроинструмента снимите с него все регулировочные инструменты и гаечные ключи.** Гаечный или регулировочный ключ, оставшийся закрепленным на вращающейся детали, может привести к травме.
5. **При эксплуатации устройства не тянитесь. Всегда сохраняйте устойчивое положение и равновесие.** Это позволит лучше управлять электроинструментом в непредвиденных ситуациях.
6. **Одевайтесь соответствующим образом. Не надевайте свободную одежду или украшения. Ваши волосы и одежда должны всегда находиться на расстоянии от движущихся деталей.** Свободная одежда, украшения или длинные волосы могут попасть в движущиеся детали устройства.
7. **Если электроинструмент оборудован системой удаления и сбора пыли, убедитесь, что она подключена и используется соответствующим образом.** Использование пылесборника снижает вероятность возникновения рисков, связанных с пылью.
8. **Не переоценивайте свои возможности и не пренебрегайте правилами техники безопасности, даже если вы часто работаете с инструментом.** Небрежное обращение с инструментом может стать причиной серьезной травмы за доли секунды.
9. **Во время работы с электроинструментом всегда надевайте защитные очки.** Очки должны соответствовать ANSI Z87.1 для США, EN 166 для Европы, или AS/NZS 1336 для Австралии и Новой Зеландии. В Австралии и Новой Зеландии оператор также обязан носить защитную маску.

#### Личная безопасность

1. **При использовании электроинструмента будьте бдительны, следите за тем, что вы делаете, и руководствуйтесь здравым смыслом. Не пользуйтесь электроинструментом, если вы устали, находитесь под воздействием наркотиков, алкоголя или лекарственных препаратов.** Даже мгновенная невнимательность при использовании электроинструмента может привести к серьезной травме.
2. **Используйте индивидуальные средства защиты. Всегда надевайте защитные очки.** Такие средства индивидуальной защиты, как маска от пыли, защитная нескользящая обувь, каска или наушники, используемые в соответствующих условиях, позволяют снизить риск получения травмы.



**Ответственность за использование средств защиты операторами и другим персоналом вблизи рабочей зоны возлагается на работодателя.**

## Эксплуатация и обслуживание электроинструмента

1. **Не прилагайте излишних усилий к электроинструменту. Используйте инструмент, соответствующий выполняемой вами работе.** Правильно подобранный электроинструмент позволит выполнить работу лучше и безопаснее с производительностью, на которую он рассчитан.
2. **Не пользуйтесь электроинструментом с неисправным выключателем.** Любой электроинструмент с неисправным выключателем опасен и должен быть отремонтирован.
3. **Перед выполнением регулировок, сменой принадлежностей или хранением электроинструмента всегда отключайте его от источника питания и/или от аккумулятора или снимайте аккумулятор, если он является съемным.** Такие превентивные меры предосторожности снижают риск случайного включения электроинструмента.
4. **Храните электроинструменты в местах, недоступных для детей, и не позволяйте лицам, не знакомым с работой такого инструмента или не прочитавшим данные инструкции, пользоваться им.** Электроинструмент опасен в руках неопытных пользователей.
5. **Поддерживайте электроинструмент и дополнительные принадлежности в надлежащем состоянии. Убедитесь в соосности, отсутствии деформаций движущихся узлов, поломок каких-либо деталей или других дефектов, которые могут повлиять на работу электроинструмента. Если инструмент поврежден, отремонтируйте его перед использованием.** Большое число несчастных случаев происходит из-за плохого ухода за электроинструментом.
6. **Режущий инструмент всегда должен быть острым и чистым.** Соответствующее обращение с режущим инструментом, имеющим острые режущие кромки, делает его менее подверженным деформациям, что позволяет лучше управлять им.
7. **Используйте электроинструмент, принадлежности, приспособления и насадки в соответствии с данными инструкциями и в целях, для которых он предназначен, учитывая при этом условия и вид выполняемой работы.** Использование электроинструмента не по назначению может привести к возникновению опасной ситуации.
8. **Рукоятки инструмента и специальные изолированные поверхности всегда должны быть сухими и чистыми и не содержать следов масла или смазки.** Скользкие рукоятки и специальные поверхности препятствуют соблюдению рекомендаций по технике безопасности в экстренных ситуациях.
9. **При использовании инструмента не надевайте рабочие перчатки, ткань которых инструмент может затянуть.** Затягивание ткани рабочих перчаток в движущиеся части инструмента может привести к травме.

## Эксплуатация и обслуживание электроинструмента, работающего на аккумуляторах

1. **Заряжайте аккумулятор только зарядным устройством, указанным изготовителем.** Зарядное устройство, подходящее для одного типа аккумуляторов, может привести к пожару при его использовании с другим аккумуляторным блоком.
2. **Используйте электроинструмент только с указанными аккумуляторными блоками.** Использование других аккумуляторных блоков может привести к травме или пожару.
3. **Когда аккумуляторный блок не используется, храните его отдельно от металлических предметов, таких как скрепки, монеты, ключи, гвозди, шурупы или другие небольшие металлические предметы, которые могут привести к закорачиванию контактов аккумуляторного блока между собой.** Короткое замыкание между контактами аккумуляторного блока может привести к ожогам или пожару.
4. **При неправильном обращении из аккумуляторного блока может потечь жидкость. Избегайте контакта с ней. В случае контакта с кожей промойте место контакта обильным количеством воды. В случае попадания в глаза обратитесь к врачу.** Жидкость из аккумулятора может вызвать раздражение или ожоги.
5. **Не используйте поврежденные или модифицированные инструменты и аккумуляторные блоки.** Поврежденные или модифицированные аккумуляторы могут работать некорректно, что может привести к пожару, взрыву или травмированию.
6. **Не подвергайте аккумуляторный блок или инструмент воздействию огня или высокой температуры.** Воздействие огня или температуры выше 130 °C может привести к взрыву.
7. **Следуйте всем инструкциям по зарядке и не заряжайте аккумуляторный блок или инструмент при температурных условиях, выходящих за пределы диапазона, указанного в инструкции.** Зарядка ненадлежащим образом или при температурных условиях, выходящих за пределы указанного диапазона, может привести к повреждению батареи и повлиять на риск пожара.

## Сервисное обслуживание

1. **Сервисное обслуживание электроинструмента должно проводиться только квалифицированным специалистом по ремонту и только с использованием идентичных запасных частей.** Это позволит обеспечить безопасность электроинструмента.
2. **Запрещается обслуживать поврежденные аккумуляторные блоки.** Обслуживание аккумуляторных блоков должен осуществлять только производитель или авторизованные поставщики услуг.
3. **Следуйте инструкциям по смазке и замене принадлежностей.**

# ПРАВИЛА ТЕХНИКИ БЕЗОПАСНОСТИ ПРИ ЭКСПЛУАТАЦИИ АККУМУЛЯТОРНОГО РЕЗЧИКА СТАЛЬНЫХ СТЕРЖНЕЙ

1. **Во время работы держите инструмент крепко.** Если не держать инструмент крепко, можно получить травму.
2. **Держите руки и лицо на безопасном расстоянии от движущихся частей.** Они могут причинить травму.
3. **Чтобы остановить работу в случае неисправности инструмента или в случае ненормального звука во время работы, немедленно отпустите триггерный переключатель. Передайте инструмент для осмотра и ремонта в авторизованный сервисный центр.** Несоблюдение этого требования может привести к повреждению или травме.
4. **Если вы уронили или ударили инструмент, внимательно осмотрите корпус на предмет повреждений, трещин или деформаций.** Любое такое повреждение может привести к травме.
5. **Этот инструмент оснащен электрогидравлическим приводом. Резервуар для масла был заполнен перед доставкой. Не добавляйте масло, пока инструмент работает нормально.**
6. **Кромки металлических ножей очень острые.** Во избежание пореза будьте осторожны при обращении с ножами.
7. **Поврежденные, деформированные или треснувшие ножи могут привести к серьезным травмам, а также к ухудшению работы.** Немедленно замените их новыми оригинальными ножами.

## СОХРАНИТЕ ДАННЫЕ ИНСТРУКЦИИ.

**⚠ ОСТОРОЖНО! НЕ ДОПУСКАЙТЕ,** чтобы удобство или опыт эксплуатации данного устройства (полученный от многократного использования) имели более высокий приоритет, чем строгое соблюдение правил техники безопасности при обращении с этим устройством. **НЕПРАВИЛЬНОЕ ИСПОЛЬЗОВАНИЕ** инструмента или несоблюдение правил техники безопасности, указанных в данной инструкции, может привести к тяжелой травме.

## Важные правила техники безопасности для работы с аккумуляторным блоком

1. **Перед использованием аккумуляторного блока прочитайте все инструкции и предупреждающие надписи на (1) зарядном устройстве, (2) аккумуляторном блоке и (3) инструменте, работающем от аккумуляторного блока.**
2. **Не разбирайте аккумуляторный блок.**
3. **Если время работы аккумуляторного блока значительно сократилось, немедленно прекратите работу.** В противном случае, может возникнуть перегрев блока, что приведет к ожогам и даже к взрыву.
4. **В случае попадания электролита в глаза промойте их обильным количеством чистой воды и немедленно обратитесь к врачу.** Это может привести к потере зрения.
5. **Не замыкайте контакты аккумуляторного блока между собой:**
  - (1) **Не прикасайтесь к контактам какими-либо токопроводящими предметами.**
  - (2) **Не храните аккумуляторный блок в контейнере вместе с другими металлическими предметами, такими как гвозди, монеты и т. п.**
  - (3) **Не допускайте попадания на аккумуляторный блок воды или дождя.****Замыкание контактов аккумуляторного блока между собой может привести к возникновению большого тока, перегреву, возможному ожогу и даже поломке блока.**
6. **Не храните инструмент и аккумуляторный блок в местах, где температура может достигать или превышать 50 °C (122 °F).**
7. **Не бросайте аккумуляторный блок в огонь, даже если он сильно поврежден или полностью вышел из строя.** Аккумуляторный блок может взорваться под действием огня.
8. **Не роняйте и не ударяйте аккумуляторный блок.**
9. **Не используйте поврежденный аккумуляторный блок.**
10. **Входящие в комплект литий-ионные аккумуляторы должны эксплуатироваться в соответствии с требованиями законодательства об опасных товарах.** При коммерческой транспортировке, например, третьей стороной или экспедитором, необходимо нанести на упаковку специальные предупреждения и маркировку. В процессе подготовки устройства к отправке обязательно проконсультируйтесь со специалистом по опасным материалам. Также соблюдайте местные требования и нормы. Они могут быть строже. Закройте или закрепите разомкнутые контакты и упакуйте аккумулятор так, чтобы он не перемещался по упаковке.

11. Выполняйте требования местного законодательства относительно утилизации аккумуляторного блока.
12. Используйте аккумуляторы только с продукцией, указанной Makita. Установка аккумуляторов на продукцию, не соответствующую требованиям, может привести к пожару, перегреву, взрыву или утечке электролита.

## СОХРАНИТЕ ДАННЫЕ ИНСТРУКЦИИ.

**⚠ ВНИМАНИЕ!** Используйте только фирменные аккумуляторные батареи Makita. Использование аккумуляторных батарей, не произведенных Makita, или батарей, которые были подвергнуты модификациям, может привести к взрыву аккумулятора, пожару, травмам и повреждению имущества. Это также автоматически аннулирует гарантию Makita на инструмент и зарядное устройство Makita.

### Советы по обеспечению максимального срока службы аккумулятора

1. Зарядите блок аккумуляторов перед его полной разрядкой. Обязательно прекратите работу с инструментом и зарядите блок аккумуляторов, если вы заметили снижение мощности инструмента.
2. Никогда не подзаряжайте полностью заряженный блок аккумуляторов. Перезарядка сокращает срок службы аккумулятора.
3. Заряжайте блок аккумуляторов при комнатной температуре в 10 - 40 °C (50 - 104 °F). Перед зарядкой горячего блока аккумуляторов дайте ему остыть.
4. Зарядите ионно-литиевый аккумуляторный блок, если вы не будете пользоваться инструментом длительное время (более шести месяцев).

## ОПИСАНИЕ РАБОТЫ

### ⚠ ВНИМАНИЕ!

- Перед регулировкой или проверкой функции инструмента обязательно убедитесь, что он выключен и его блок аккумулятора снят.

### Установка или снятие блока аккумулятора (рис. 1)

#### ⚠ ВНИМАНИЕ!

- Обязательно выключайте инструмент перед установкой и извлечением блока аккумулятора.
- При установке и извлечении блока аккумулятора крепко удерживайте инструмент и блок аккумулятора. Если не соблюдать это требование, они могут выскользнуть из рук, что приведет к повреждению инструмента и блока аккумулятора, а также травмированию оператора.

Для снятия блока аккумулятора нажмите кнопку на его лицевой стороне и извлеките блок.

Для установки блока аккумулятора совместите выступ блока аккумулятора с пазом в корпусе и задвиньте его на место. Устанавливайте блок до упора, так чтобы он зафиксировался на месте с небольшим щелчком. Если вы видите красный индикатор на верхней части клавиши, блок аккумулятора не полностью установлен на месте.

#### ⚠ ВНИМАНИЕ!

- Обязательно устанавливайте блок аккумулятора до конца, чтобы красный индикатор не был виден. В противном случае блок может выпасть из инструмента и нанести травму вам или другим людям.
- Не прилагайте чрезмерных усилий при установке блока аккумулятора. Если при установке блок не двигается свободно, он вставлен неправильно.

### Система защиты аккумулятора (литий-ионный аккумулятор с маркировкой в виде звездочки) (рис. 2)

В литий-ионных аккумуляторах со звездочкой предусмотрена система защиты. Она автоматически отключает питание для продления срока службы аккумулятора.

Инструмент автоматически остановится во время работы при возникновении указанных ниже ситуаций.

- Перегрузка  
Из-за способа эксплуатации инструмент потребляет очень большое количество тока. В этом случае отпустите триггерный переключатель на инструменте и прекратите использование, повлекшее перегрузку инструмента. Затем снова нажмите на триггерный переключатель для перезапуска. Если инструмент не включается, значит, перегрелся аккумулятор. В этом случае дайте ему остыть перед повторным нажатием на триггерный переключатель.
- Низкое напряжение аккумулятора  
Уровень оставшейся емкости аккумулятора слишком низкий, и инструмент не работает. В этом случае снимите и зарядите аккумулятор.

### Индикация оставшегося заряда аккумулятора (рис. 3)

(В зависимости от страны)

При нажатии куркового выключателя на ЖК-дисплее отображается индикация оставшегося заряда аккумулятора в виде следующей таблицы.

Состояние индикатора	Уровень заряда батареи
	Примерно 50% или более
	Примерно 20% - 50%
	Менее примерно 20%



## ПРИМЕЧАНИЕ.

- ЖК-дисплей гаснет примерно через одну минуту после отпущания куркового выключателя для экономии заряда аккумулятора. Чтобы проверить оставшийся заряд аккумулятора, слегка нажмите на курковый выключатель.
- Если ЖК-дисплей загорается, а инструмент не работает даже с заряженным аккумуляторным блоком, необходимо дать инструменту остыть. Если состояние не меняется, передайте инструмент для ремонта в местный сервисный центр Makita.

## ПОРЯДОК ЭКСПЛУАТАЦИИ

Прочтите инструкции по технике безопасности и порядку эксплуатации, убедитесь, что понимаете их содержание, и соблюдайте требования инструкций во время работы. Если вы не понимаете инструкции или текущие условия не подходят для надлежащей работы, не используйте этот инструмент. Проконсультируйтесь со своим руководителем или другим ответственным лицом.

### ⚠ ОСТОРОЖНО!

- Перед установкой аккумулятора в инструмент потяните и отпустите триггерный переключатель, чтобы быть уверенным в том, что он вернется в исходное положение при отпущании.

Двигатель включается при нажатии триггерного переключателя и отключается при его отпущании.

### Работа фиксатора переключателя (рис. 4)

- Нажмите фиксатор переключателя на стороне А. С переключателя снимается блокировка, и триггерным переключателем можно управлять.
- Нажмите фиксатор переключателя на стороне В. Переключатель блокируется, и триггерным переключателем нельзя управлять.

### ⚠ ВНИМАНИЕ!

- Триггерный переключатель следует блокировать всегда, когда инструмент не используется.

### ⚠ ОСТОРОЖНО!

- Перед началом работы убедитесь в том, что положение оператора относительно инструмента и окружающая зона безопасны для работы. Надевайте защитные очки и защитную одежду.
- Учитывайте технические характеристики инструмента, указанные в этом руководстве, и не пытайтесь разрезать арматуру, диаметр или твердость которой превышает предельно допустимые для инструмента.
- Не разрезайте другой материал, кроме арматуры. Если необходимо разрезать другой материал, обратитесь к производителю.

### ⚠ ОСТОРОЖНО!

- Немедленно производите замену поврежденных (со сколами, сломанных, с трещинами) или деформированных ножей. Нож не будет резать правильно и может разрушиться или сломаться, что приведет к серьезной травме.

## Процедура резки

### ⚠ ОСТОРОЖНО!

- **Запрещено использовать инструмент без установленного защитного устройства.** Несоблюдение данного требования может привести к серьезным травмам. (рис. 5)
  - Защитный кожух предназначен для защиты оператора от отлетающих обломков. Он не препятствует разлету обломков в направлении оси арматурного стержня. Во время работы занимайте такое положение, чтобы защитный кожух защищал вас от обломков.
  - На некоторых рисунках защитный кожух не показан, чтобы было лучше видно части, которые он закрывает. Всегда используйте защитные кожухи.
1. Расположите арматуру между ножами. (рис. 6) Отрегулируйте стопор в соответствии с диаметром арматуры таким образом, чтобы арматура находилась под углом 90 градусов к ножам. Стопор поддерживает арматуру и удерживает ее перпендикулярно ножам при отрезании. (рис. 7)

### ⚠ ОСТОРОЖНО!

- При отрезании арматуры отрегулируйте стопор в соответствии с диаметром арматуры таким образом, чтобы она находилась под углом 90 градусов к ножам. Без этой регулировки отрезанный кусок может отлететь и нанести серьезные повреждения оператору или окружающим людям. Оператору следует проверять свое положение относительно инструмента и следить за собственной безопасностью и безопасностью окружающей зоны.
2. Вставьте арматурный стержень достаточно глубоко между ножами, чтобы она не касалась защитного кожуха. (Рис. 8)

### ⚠ ОСТОРОЖНО!

- Если не расположить арматурный стержень полностью между ножами, это может привести к повреждению ножей. Арматурный стержень отлетит с высокой скоростью и может стать причиной травмы.

### ⚠ ОСТОРОЖНО!

- Не разрезайте арматуру, если длина отрезка, который следует отрезать, меньше 200 мм. Разрезание арматуры меньшей длины может привести к тому, что арматурный стержень вылетит во время резки и причинит серьезную травму. (рис. 9)

### ⚠ ОСТОРОЖНО!

- Не разрезайте арматуру, если стопор не обеспечивает для нее надлежащую опору. При резке держите арматурный стержень на стороне стопора. (рис. 10, 11) В противном случае отрезанный кусок может отлететь и нанести серьезные травмы оператору или другим людям.
3. Нажмите фиксатор переключателя на стороне А. С переключателя снимается блокировка, и триггером можно управлять.

4. Чтобы начать процесс резания, нажмите триггерный переключатель. Режущий стержень сдвинется вперед для разрезания арматурного стержня. Держите переключатель нажатым до тех пор, пока режущий стержень не остановится в конце хода.
5. Отпустите триггерный переключатель после того, как разрез выполнен и режущий стержень достиг конца хода. Режущий стержень автоматически вернется в исходное положение. Режущий стержень не вернется в исходное положение, если ход не выполнен полностью. Стержень также не сможет двигаться вперед, пока полностью не вернется в исходное положение. Нажимайте переключатель, чтобы начать следующий разрез, только после полного возврата режущего стержня в исходное положение и остановки.

#### **⚠ ОСТОРОЖНО!**

- При резке арматуры, имеющей высокую прочность на растяжение, отрезанный кусок может отлететь и нанести серьезные травмы оператору. Перед началом работы наденьте защитные очки и убедитесь в безопасности окружающей зоны.

#### **⚠ ОСТОРОЖНО!**

- Во время работы держите руки и лицо на безопасном расстоянии от ножей, движущихся частей и зоны резания. Извлекайте аккумулятор из инструмента сразу после использования.

#### **ПРИМЕЧАНИЕ.**

- Если температура корпуса инструмента превышает 70 °C (160 °F), производительность работы инструмента снижается. В таком случае следует остановить инструмент и дать ему остыть.

#### **ПРИМЕЧАНИЕ.**

- Вентиляционное отверстие на конце держателя прутка должно быть чистым от грязи и мусора. Вентиляционное отверстие предназначено для контроля внутреннего давления, оно должно быть чистым. (рис. 12)

### **Возможность вращения корпуса двигателя (рис. 13)**

Во время работы корпус двигателя можно поворачивать на 360 градусов в любом направлении. Эта особенность очень полезна при работе в неудобных или узких местах, поскольку позволяет оператору позиционировать инструмент оптимальным образом для работы.

### **Работа обратного клапана (рис. 14)**

Обратный клапан обеспечивает возврат режущего стержня в исходное положение, если разрез невозможно выполнить, или в случае застревания. Отвинчивание обратного клапана на пол-оборота приведет к снижению давления масла и обеспечит возврат режущего стержня. Повторно затягивайте обратный клапан после полного возврата режущего стержня и перед началом следующей операции.

## **ПРОЦЕДУРА ЗАМЕНЫ НОЖЕЙ**

Если на режущих кромках ножей появились сколы, трещины, деформации или повреждения, их режущая способность будет снижена. Резка в таких условиях может привести к дальнейшему повреждению и травме. В случае обнаружения повреждения ножи следует немедленно заменить.

#### **⚠ ОСТОРОЖНО!**

- Во избежание случайного включения при замене ножей убедитесь в том, что аккумулятор извлечен из инструмента.

Убедитесь в том, что нож А на держателе прутка и нож В на режущем стержне установлены правильно в соответствующем месте. (рис. 15)

1. Отвинтите болты и шайбы, которыми крепится нож А и нож В.
2. Удалите грязь и очистите поверхности, на которые будут установлены новые ножи.
3. Установите нож А на держатель прутка и нож В на режущий стержень. Установите на место болты и шайбы и плотно затяните их.

#### **⚠ ОСТОРОЖНО!**

- Болты, которыми крепится нож А и нож В, следует регулярно затягивать. Если болты ослабнут, это может привести к повреждению ножей и стать причиной травмы.

## Тип запасного ножа и снятие (рис. 16)

Крепежные болты должны быть плотно затянуты.  
Периодически проверяйте плотность затягивания ножа.

Размер запасного ножа

● Таблица для подбора правильных ножей для вашей модели.

Модель	A (установлен на держатель прутка)	B (установлен на режущий стержень)
DSC163 (ø3 – ø16)	22 × 17 × 9 мм (диаметр болта 5 мм)	22 × 17 × 8 мм (диаметр болта 5 мм)

### ПРИМЕЧАНИЕ.

- Используйте только оригинальные ножи Makita.

## ДОБАВЛЕНИЕ МАСЛА

Этот аккумуляторный резчик стальных стержней оснащен электрогидравлическим приводом. Перед отправкой с завода в инструмент было залито масло. Не добавляйте масло, пока инструмент работает надлежащим образом. С течением времени уровень масла будет постепенно снижаться. В итоге это приведет к заметному снижению производительности. Когда это произойдет, добавьте масло следующим образом.

- Поместите несколько арматурных стержней между ножами и нажмите триггерный переключатель.
- Отпустите триггерный переключатель перед завершением разреза, чтобы остановить инструмент.
- Извлеките аккумулятор из инструмента, чтобы предотвратить случайное срабатывание ножей.
- Удалите болт (SB10x15), который закрывает отверстие для заливки масла. Добавьте масло, стараясь не допускать его попадания в двигатель.
- Установите на место болт (SB10x15) и надежно затяните.
- Установите аккумулятор в инструмент и завершите операцию резания.
- Повторяйте описанную выше процедуру несколько раз, пока уровень масла не станет правильным.

### ⚠ ВНИМАНИЕ!

- В этот инструмент следует заливать только чистое гидравлическое масло, рекомендованное компанией Makita. Под рекомендованным маслом понимается поставляемое компанией Makita гидравлическое масло Super Hyrando #46 (JX Nippon Oil & Energy Corp.) или Shell Tellus Plus #46 (U.S. Shell) либо же аналогичное по характеристикам противоизносное гидравлическое масло, класс вязкости по ISO – 46. Не используйте другие масла, так как они могут привести к повреждению уплотнений и других внутренних деталей машины.

# ПОИСК И УСТРАНЕНИЕ НЕИСПРАВНОСТЕЙ

## ОСТОРОЖНО!

- Перед началом работы извлеките аккумулятор из инструмента.

ПРОБЛЕМА	ПРИЧИНА	СПОСОБ УСТРАНЕНИЯ
Режущий стержень не выдвигается.	Недостаточно масла	Долейте масло (см. раздел “Добавление масла”).
	Режущий стержень не вернулся в исходное положение из-за скопления мусора между режущим стержнем и держателем прутка.	Вручную сдвиньте режущий стержень. Удалите мусор и очистите
	Режущий стержень не вернулся в исходное положение из-за повреждения.	Замените режущий стержень.
	Режущий стержень не вернулся в исходное положение из-за ослабленного крепления ножей или повреждения ножей.	Затяните болты ножа. Замените ножи
	Режущий стержень не вернулся в исходное положение из-за ослабления возвратной пружины.	Замените возвратную пружину.
Недостаточно мощности для разрезания арматуры.	Недостаточно масла.	Долейте масло (см. раздел “Добавление масла”).
	Обратный клапан неправильно прилегает, или седло клапана повреждено.	Очистите наконечник обратного клапана и седло. Устраните царапины с седла.
	Обратный клапан поврежден.	Замените.
	Неправильный зазор между цилиндром и поршнем.	Замените поршень (примечание: доступны поршни различных размеров).
	Запорный клапан неправильно прилегает, или седло повреждено.	Проверьте запорный клапан и седло. Замените.
Уплотнение из уретана повреждено.	Замените.	
Утечка масла.	Баллон маслоуравнителя поврежден.	Замените.
	Режущий стержень / держатель прутка: повреждено уплотнительное кольцо; держатель стержня/прутка: поверхность поцарапана или имеет бороздки.	Замените опорное кольцо и уплотнительное кольцо. Замените режущий стержень / держатель прутка.
	Цилиндр / держатель прутка: повреждено уплотнительное кольцо.	Замените уплотнительное кольцо.
	Цилиндр / корпус насоса: повреждена прокладка.	Замените вкладыш В.
	Держатель прутка / цилиндр / корпус насоса: ослабили болты фланца.	Затяните болты.
Двигатель не работает. Двигатель работает медленно или неравномерно.	Неправильное напряжение.	Зарядите аккумулятор.
	Заканчивается срок службы аккумулятора.	Замените аккумулятор.
	Двигатель постоянного тока поврежден из-за перегрева.	Замените двигатель постоянного тока.
	Повреждены подшипники двигателя постоянного тока или редуктор.	Замените подшипники или редуктор.

## ПРИМЕЧАНИЕ.

- Зазоры между внутренними компонентами зоны насоса и поршня очень малы, в связи с чем компоненты чувствительны к воздействию пыли, грязи, загрязнению гидравлической жидкостью или неправильному обращению. Для демонтажа корпуса насоса требуются специальные инструменты и знания. Эти работы должны выполняться только квалифицированным ремонтным персоналом, прошедшим соответствующую подготовку и располагающим соответствующими инструментами. Неправильное обслуживание электрических компонентов может стать причиной серьезных травм. Обслуживание насоса, компонентов поршня и всех электрических деталей должно выполняться только официальной ремонтной мастерской, дилером или дистрибьютором.

## ОБСЛУЖИВАНИЕ

### **⚠ ВНИМАНИЕ!**

- Перед проведением проверки или работ по техобслуживанию необходимо убедиться, что инструмент выключен, а блок аккумулятора снят.
- Запрещается использовать бензин, растворители, спирт и другие подобные жидкости. Это может привести к обесцвечиванию, деформации и трещинам.

Для обеспечения БЕЗОПАСНОСТИ и НАДЕЖНОСТИ инструмента выполняйте его ремонт, обслуживание или регулировку только в авторизованных сервисных центрах компании Makita и с использованием только оригинальных запасных частей компании Makita.

## ДОПОЛНИТЕЛЬНЫЕ ПРИНАДЛЕЖНОСТИ

### **⚠ ВНИМАНИЕ!**

- Данные принадлежности или приспособления рекомендуются для использования с инструментом Makita, указанным в настоящем руководстве. Использование других принадлежностей или приспособлений может привести к получению травмы. Используйте принадлежность или приспособление только по указанному назначению.

Если вам необходимо содействие в получении дополнительной информации по этим принадлежностям, обратитесь в сервис-центр Makita.

- Оригинальный аккумулятор и зарядное устройство Makita

### **ПРИМЕЧАНИЕ.**

- Некоторые элементы списка могут входить в комплект инструмента в качестве стандартных приспособлений. Они могут различаться в зависимости от страны.

## ҚАЗАҚША (Түпнұсқа нұсқаулар)

### Жалпы көрініс түсініктемесі

- |                               |                            |   |
|-------------------------------|----------------------------|---|
| 1. Қызыл индикатор            | 11. Арматура               | 21. Болт (қысқа)                          |
| 2. Түйме                      | 12. Алмастар               | 22. Шайба                                 |
| 3. Аккумулятор картриджі      | 13. Тоқтатқыш              | 23. Жолақ ұстағыш                         |
| 4. Жұлдыз тәрізді белгі       | 14. 200 мм-ден артық       | 24. Дискілі алмас ара өзегі               |
| 5. Жарық диодты индикатор     | 15. Ауа саңылауы           | 25. Жолақ ұстағыштағы А алмасы            |
| 6. Ауыстырып-қосқыш құлпы     | 16. Алты қырлы кілт        | 26. Дискілі алмас ара өзегіндегі В алмасы |
| 7. Ауыстырып-қосқыш шүріппесі | 17. Қайтару клапаны        | 27. Қосалқы бөлшек алмастары              |
| 8. А жағы                     | 18. А алмасы (қалың алмас) |   |
| 9. В жағы                     | 19. В алмасы (жұқа алмас)  |   |
| 10. Протектор                 | 20. Болт (ұзын)            |   |

## ТЕХНИКАЛЫҚ СИПАТТАМАЛАРЫ

Үлгісі	DSC163
Макс. кесу мүмкіндігі (диам. мм)	16 мм
40-дәреже - 60-дәреже	
40-дәреже: Керіліс күші 490 Н/мм <sup>2</sup> 70 000 PSI	
60-дәреже: Керіліс күші 620 Н/мм <sup>2</sup> 90 000 PSI	
Кесу жылдамдығы	2,8 секунд
Жалпы ұзындығы	360 мм
Таза салмағы	6,9 кг
Номинал кернеу	18 В ТТ

- Зерттеу мен әзірлеудің үздіксіз бағдарламасына байланысты осы құжаттағы техникалық сипаттамалар ескертусіз өзгертілуі мүмкін.
- Техникалық сипаттамалары және аккумулятор картриджі әр елде әртүрлі болуы мүмкін.
- Аккумулятор картриджін қосқанда, салмағы EPTA-Procedure 01/2014 стандартына сәйкес

### Қолдануға болатын аккумулятор картриджі

BL1830 / BL1830B / BL1840 / BL1840B / BL1850 / BL1850B / BL1860B

- Жоғарыда берілген аккумулятор картридждерінің кейбірі сіздің тұрып жатқан жеріңізге байланысты қолжетімсіз болуы мүмкін.

### ⚠ ЕСКЕРТУ:

- **Тек жоғарыда аталған аккумулятор картридждерін ғана пайдаланыңыз.** Аккумулятор картридждерінің басқа түрлерін пайдалану жарақат алу мен өрт шығу қаупін тудыруы мүмкін.

## Белгілер

Төменде жабдықта пайдаланылған белгілер көрсетілген. Пайдалану алдында олардың мағынасын түсініп алыңыз.



..... Тек ЕО елдеріне арналған  
Электрлік жабдықты немесе  
аккумулятор блогын тұрмыстық  
қалдықтармен бірге тастамаңыз!  
Электрлік және электрондық  
жабдықтар мен батареялар және  
аккумуляторларды кәдеге жарату және  
батареялар мен аккумуляторлардың  
қалдықтары және оларды ұлттық  
заңнамаға сәйкес қолдану еуропалық  
директиваларына сәйкес қызмет ету  
мерзімі аяқталған электрлік жабдықтар  
мен аккумуляторлар және аккумулятор  
блок(тар)ы бөлек жиналып, қоршаған  
ортаға зиян келтірмейтін қайта өңдеу  
мекемесіне қайтарылуы керек.



..... Пайдалану жөніндегі нұсқаулықты оқып шығыңыз.

## Қолдану мақсаты

Құрал кесу арматурасына арналған.

## Шу

EN60745-1 стандартына сай анықталған стандартты А-өлшенген шу деңгейі:

Дыбыс қысымының деңгейі (L<sub>pA</sub>) : 78 дБА

Дәлсіздік (K) : 3 дБА

Жұмыс кезінде шу деңгейі 80 дБА шамасынан асып кетуі мүмкін.

## Қорғаныс құлаққабын киіңіз

## Діріл

EN60745-1 стандартына сәйкес анықталған дірілдің жалпы мәні (үш осьтік векторлық сомасы):

Жұмыс режимі: кесу арматурасы

Дірілдің таралуы (a<sub>r</sub>) : 2,5 м/с<sup>2</sup> немесе одан аз

Дәлсіздік (K) : 1,5 м/с<sup>2</sup>

- Жарияланған дірілдің таралу мәні стандартты сынау әдісіне сәйкес өлшенген және бір құралды екінші құралмен салыстыру үшін пайдалануға болады.
- Сондай-ақ жарияланған дірілдің таралу мәнін есепді алдын ала бағалау үшін пайдалануға болады.

## ⚠ ЕСКЕРТУ:

- Электрлік құралды іс жүзінде пайдалану кезіндегі дірілдің таралуы құралдың пайдалану әдісіне байланысты жарияланған дірілдің таралу мәнінен өзгеше болуы мүмкін.
- Іс жүзінде пайдалану кезіндегі есепді бағалау негізінде операторды қорғау үшін қауіпсіздік шараларын анықтаңыз (құралдың өшірілген уақыты және бос жүріс уақытын қоса алғанда, іске қосылу уақыты сияқты барлық жұмыс циклдерін ескеру керек).

## ЕС сәйкестік декларациясы

Тек Еуропа елдеріне арналған

ЕС сәйкестік декларациясы осы пайдалану жөніндегі нұсқаулықтың А қосымшасы ретінде қосылған.

## Электр құралының жалпы қауіпсіздік ескертулері

⚠ **ЕСКЕРТУ:** Осы электрлік құралмен бірге берілген қауіпсіздік ескертулерін, нұсқауларды, суреттерді және техникалық сипаттамаларды оқып шығыңыз. Төменде берілген барлық нұсқауды орындамаған жағдайда, электр тогының соғуы, өрт шығуы және/немесе ауыр жарақат алуға себеп болуы мүмкін.

## Алдағы уақытта қолдану үшін барлық ескерту мен нұсқауды сақтап қойыңыз.

Ескертулердегі "электр құралы" термині электр желіден (сымды) немесе аккумулятормен (сымсыз) жұмыс істейтін электр құралдарына жатады.

## Жұмыс аймағындағы қауіпсіздік

1. Жұмыс аймағы таза әрі жарық болуы керек. Лас немесе қараңғы аймақтарда жазатайым оқиғалар туындауы мүмкін.
2. Электрлік құралды айналдасында тез тұтанатын сұйықтық, газ немесе шаң сияқты заттардан тұратын жарылыс қаупі бар орталарда пайдаланбаңыз. Электрлік құралдар шаң немесе газды тұтандыратын электр ұшқындарын шығарады.
3. Электрлік құралды пайдаланған кезде, балалар және бөгде адамдар алшақ жүруі керек. Басқа нәрсеге алаңдасаңыз, құралға ие бола алмай қалуыңыз мүмкін.

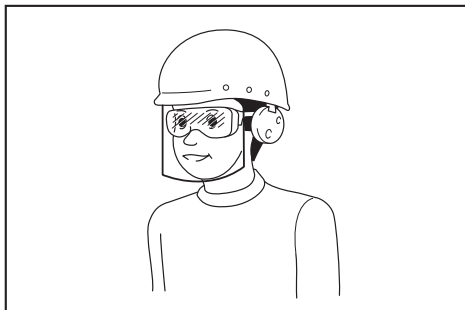
## Электрлік қауіпсіздік

1. Электрлік құралдың ашасы розеткаға сәйкес келуі керек. Ашаны ешбір жағдайда өзгертпеңіз. Адаптер ашаларын жерге тұйықталған электрлік құралдармен пайдаланбаңыз. Өзгертілмеген ашалар мен сәйкес келетін розеткалар электр тогының соғу қаупін азайтады.
2. Түтіктер, радиаторлар, жылу батареялары және тоңазытқыштар сияқты жерге тұйықталған бұйымдарды ұстамаңыз. Егер денеңіз жерге тұйықталатын болса, ток соғу қаупі жоғары.
3. Электрлік құралдарды жаңбырдың астына немесе ылғалды жерлерге қоймаңыз. Электрлік құралға су кіретін болса, ток соғу қаупі артады.
4. Қуат сымын дұрыс пайдаланыңыз. Электрлік құралды тасу, тарту немесе қуат көзінен ажырату үшін қуат шнурын пайдалануға болмайды. Қуат шнурына ыстық зат, май, өткір жиек немесе қозғалмалы бөлшектер тимеуі керек. Зақымдалған немесе оралған қуат шнурлары ток соғу қаупін арттырады.
5. Электрлік құралды сыртта пайдаланғанда, сыртта қолдануға жарамды ұзартқышты қолданыңыз. Сыртта қолдануға жарамды шнурды пайдалану ток соғу қаупін азайтады.
6. Егер электрлік құралды ылғалды жерде пайдалану керек болса, қорғаныстық ажырату құрылғысын (RCD) пайдаланыңыз. Қорғаныстық ажырату құрылғысын пайдалану ток соғу қаупін азайтады.
7. Электрлік құралдар электрмагниттік өрістер шығарады, ол пайдаланушыға қауіпті емес. Дегенмен электрокардиостимулятор және соған ұқсас басқа медициналық құрылғылардың пайдаланушылары электрлік құралды пайдаланбас бұрын, өндірушімен және/немесе дәрігермен кеңесуі керек.

## Жеке қауіпсіздік

1. **Электрлік құралды пайдаланған кезде, жасап жатқан жұмысыңызға қырағылық танытып, мұқият болыңыз.** Шаршағанда немесе есірткі, алкоголь немесе дәрі-дәрмектің әсерінде болған кезде электрлік құралды пайдаланбаңыз. Электрлік құралды пайдалану кезінде сәл ғана аңсыздық таныту ауыр жарақатқа әкелуі мүмкін.
2. **Жеке қорғаныс жабдығын пайдаланыңыз. Міндетті түрде қорғаныс көзілдірігін тағыңыз.** Шаңнан қорғайтын маска, сырғанамайтын қорғаныс аяқ киімі, каска немесе құлаққап сияқты қорғаныс жабдықтарын тиісті жағдайларда қолдану жарақаттануды азайтады.
3. **Кездейсоқ іске қосудың алдын алыңыз. Құралды қуат көзіне және/немесе аккумулятор блогына қоспас бұрын, оны жинап немесе тасымалдамас бұрын, ауыстырып-қосқыш өшірулі күйде екеніне көз жеткізіңіз.** Саусақ электрлік құралдың ауыстырып-қосқышында тұрған кезде оны тасымалдау немесе ауыстырып-қосқышы қосулы электрлік құралды қуат көзіне қосу жазатайым оқиғаға әкеп соғуы мүмкін.
4. **Электрлік құралды қоспас бұрын, реттегіш немесе сомынды бұрайтын кілттерді алып тастаңыз.** Электрлік құралдың айналмалы бөлігінде реттегіш немесе сомынды бұрайтын кілт бекітулі қалса, жарақаттауы мүмкін.
5. **Тым артық күш салмаңыз. Өрдайым тұрақты және тепе-теңдік сақтайтын күйде болыңыз.** Бұл күтпеген жағдайда электрлік құралды жақсы басқаруға мүмкіндік береді.
6. **Жұмысқа сай киініңіз. Бос киім қименіз және әшекей тақпаңыз. Шашыңызды және киіміңізді қозғалмалы бөлшектерден алшақ ұстаңыз.** Бос киім, әшекейлер немесе ұзын шаш қозғалмалы бөлшектерге ілініп қалуы мүмкін.
7. **Шаң тұту және жинау құрылғылары қамтамасыз етілген болса, олардың қосулы екендігіне және дұрыс қолданылып жатқанына көз жеткізіңіз.** Шаң жинау құрылғысын пайдалану шаңмен байланысты қауіпті азайтуы мүмкін.
8. **Құралды жиі пайдалану нәтижесінде босаңсып, қауіпсіздік қағидаларын елеусіз қалдырмаңыз.** Салғырттық таныту бір мезетте ауыр жарақатқа әкеп соқтыруы мүмкін.

9. **Электрлік құралды пайдаланған кезде көзіңізді жарақаттап алмау үшін міндетті түрде қорғаныс көзілдірігін тағыңыз.** Қорғаныс көзілдіріктері АҚШ-та ANSI Z87.1, Еуропада EN 166 немесе Австралияда/Жаңа Зеландияда AS/NZS 1336 қауіпсіздік стандарттарына сәйкес келуі керек. Австралияда/Жаңа Зеландияда бетіңізді қорғау үшін қорғаныс маскасын кию заң негізінде талап етіледі.



Құрал пайдаланушылары мен жұмыс аймағындағы басқа да тұлғалардың тиісті қауіпсіздік қорғаныс жабдықтарын пайдалануын қамтамасыз ету жұмыс берушінің жауапкершілігінде.

## Электрлік құралды пайдалану және күтім жасау

1. **Электрлік құралға артық күш түсірмеңіз.** Орындалатын жұмысқа сәйкес келетін электрлік құралды пайдаланыңыз. Дұрыс таңдалған электрлік құрал өзіне жүктелген жұмысты жақсы және қауіпсіз істейді.
2. **Ауыстырып-қосқышы ақаулы электрлік құралды пайдаланбаңыз.** Ауыстырып-қосқышы ақаулы кез келген электр құрал қауіп төндіреді, сондықтан оны жөндеу керек.
3. **Кез келген реттеулер жасамас бұрын, керек-жарақтарды ауыстырмас бұрын немесе электрлік құралдарды ұзақ уақытқа сақтамас бұрын, ашаны қуат көзінен ажыратыңыз және/немесе аккумулятор блогы бар болса, оны шығарып алыңыз.** Осындай алдын алу шаралары электрлік құралдың кездейсоқ іске қосылу қауіпін азайтады.
4. **Электрлік құралдарды балалардың қолы жетпейтін жерде сақтаңыз, сонымен қатар электрлік құралмен жұмыс істей алмайтын және осы нұсқауларды оқымаған тұлғаларға құралды пайдалануға рұқсат етпеңіз.** Арнайы жаттығудан өтпеген пайдаланушылар үшін электрлік құрал қауіп төндіреді.
5. **Электр құралдарына және керек-жарақтарға техникалық қызмет көрсетіңіз.** Қозғалмалы бөлшектердің ауытқуы және оралуы, зақымдалған бөлшектер және электрлік құралдың жұмысына көрі әсер ететін басқа жағдайлардың бар-жоғын тексеріңіз. Зақымы болса, электрлік құралды жөндеген соң бірақ пайдаланыңыз. Жазатайым оқиғалардың көбі электрлік құралдарға дұрыс техникалық қызмет көрсетілмеу себебінен болады.



6. **Кесу құралдары өткір және таза болуы керек.** Кескіш жиектері өткір кесу құралдарын дұрыс пайдалансаңыз, олар тұрып қалмайды және оңай басқарылады.
7. **Электрлік құралды, керек-жарақтарды және қондырмаларды, т.б. жұмыс жағдайы мен орындалатын жұмысты ескере отырып, осы нұсқауларға сәйкес пайдаланыңыз.** Электрлік құралды басқа мақсатта пайдаланған жағдайда, қауіпті жағдай туындауы мүмкін.
8. **Тұтқалардың және жұмыс орындалатын беттердің құрғақ, таза және майлы болмауын қамтамасыз етіңіз.** Тұтқалар және қолмен ұстайтын беттер тайғақ болса, күтпеген жағдай орын алғанда, құралды пайдалану және оған ие болу мүмкін болмайды.
9. **Электрлік құралды пайдаланған кезде, оралып қалуы мүмкін матадан жасалған қорғаныс қолғабын кимеңіз.** Матадан жасалған қорғаныс қолғаптары қозғалмалы бөлшектерге ілініп қалса, жарақаттауы мүмкін.

#### **Аккумулятормен жұмыс істейтін құралды пайдалану және күтім жасау**

1. **Тек өндіруші көрсеткен зарядтау құрылғысымен зарядтаңыз.** Бір аккумулятор блогына сәйкес келетін зарядтау құрылғысын басқа аккумулятор блогымен пайдалану өрт қаупін тудыруы мүмкін.
2. **Электрлік құралдарды тек көрсетілген аккумулятор блоктарымен пайдаланыңыз.** Кез келген басқа аккумулятор блоктарын пайдалану жарақат алу мен өрт шығу қаупін тудыруы мүмкін.
3. **Аккумулятор блогын пайдаланбаған кезде, оны қағаз қыстырғыштар, тиындар, кілттер, шегелер, бұрандалар сияқты металл заттар мен бір клеммадан екіншісіне қосылыс жасау мүмкін басқа шағын металл заттардан аулақ ұстаңыз.** Аккумулятор клеммаларының қысқа тұйықталуы күйік шалуға немесе өртке әкеп соғуы мүмкін.
4. **Дұрыс пайдаланбаған кезде аккумулятордан сұйықтық ағуы мүмкін; тиіп кетпеуге тырысыңыз.** Егер абайсызда тиіп кетсеңіз, сумен шайыңыз. Егер сұйықтық көзге тиген болса, медициналық көмекке жүгініңіз. Аккумулятордан шыққан сұйықтық тітіркену немесе күйікке себеп болуы мүмкін.
5. **Зақымдалған немесе өзгертілген аккумулятор блогын пайдаланбаңыз.** Зақымдалған немесе өзгертілген аккумуляторлардан нәтижесінде өрт, жарылыс немесе жарақат алу қаупіне әкелетін күтпеген жағдайлар туындауы мүмкін.
6. **Аккумулятор блогын немесе құралды от немесе шамадан тыс жоғары температура шығаратын заттың жанына қоймаңыз.** Отқа түссе немесе температура 130 °C-тан жоғары болса, жарылуы мүмкін.
7. **Зарядтауға қатысты нұсқаулардың барлығын орындаңыз және аккумулятор блогын немесе құралды нұсқауларда көрсетілген температура ауқымынан тыс зарядтамаңыз.** Дұрыс зарядталмаса немесе көрсетілген ауқымнан тыс температурада зарядталса, аккумулятор зақымдалуы және өрт шығу қаупі артуы мүмкін.

#### **Қызмет көрсету**

1. **Электрлік құралды білікті маманға жөндетіп алыңыз, ол тиісті қосалқы бөлшектерді пайдалануы керек.** Бұл электрлік құралдың қауіпсіздігін қамтамасыз етеді.
2. **Зақымдалған аккумулятор блоктарына қызмет көрсетуге болмайды.** Аккумулятор блоктарына қызмет көрсетуді өндіруші немесе өкілетті қызмет маманы орындауы тиіс.
3. **Керек-жарақтарды майлау және ауыстыру нұсқауын орындаңыз.**

## **АККУМУЛЯТОРЛЫ ГИДРАВЛИКАЛЫҚ ҚАЙШЫНЫҢ ҚАУІПСІЗДІК ЕСКЕРТУЛЕРІ**

1. **Құралды пайдалану кезінде берік ұстаңыз.** Құрал берік ұсталмаса, жарақат алуыңыз мүмкін.
2. **Қол мен бетіңізді қозғалмалы бөлшектерден алшақ ұстаңыз.** Олар жарақат алуға себеп болуы мүмкін.
3. **Құрал реттен тыс болғанда немесе қолданыс барысында қалыпсыз дыбыс шығарғанда жұмысты тоқтату үшін ауыстырып-қосқыш шүріппесін бірден босатыңыз.** Оны өкілетті қызмет көрсету орталығында тексертіп жөндетіңіз. Бұлай істемеу өртке не жарылысқа әкелуі мүмкін.
4. **Егер құралды құлатып немесе ұрып алсаңыз, корпусына зақым келмегенін, сынбағанын немесе майысып қалмағанын мұқият тексеріңіз.** Бұндай зақым жарақат келтіруі мүмкін.
5. **Бұл құрал - электрогидравликалық құрал.** Жеткізу алдында май резервуары толтырылды. Құрал қалыпсыз жұмыс істегенше май қосуға болмайды.
6. **Металл кескіш алмастардың жиектері үшкір.** Кесіп алмас үшін оларды мұқият абайлап ұстаңыз.
7. **Зақымдалған, майысып қалған немесе сынған алмастар ауыр жағдайларға және бұрыс жұмысқа әкелуі мүмкін.** Жаңа, түпнұсқалы алмастармен бірден ауыстырыңыз.

## **ОСЫ НҰСҚАУЛАРДЫ САҚТАҢЫЗ.**

### **⚠ ЕСКЕРТУ:**

**Өнімді қайта пайдалану барысында САЛҒЫРТТЫҚ ТАНЫТПАЙ, қауіпсіздік ережелерін ұстаныңыз.** Осы пайдалану жөніндегі нұсқаулықта келтірілген қауіпсіздік ережелерін ДҰРЫС ПАЙДАЛАНБАУ немесе орындамау ауыр жарақаттарға әкеп соқтыруы мүмкін.

## Аккумулятор картриджіне арналған маңызды қауіпсіздік нұсқаулары

1. Аккумулятор картриджін пайдаланбас бұрын, (1) аккумуляторларға арналған зарядтау құрылғысындағы, (2) аккумулятордағы және (3) аккумуляторды пайдаланатын өнімдегі барлық нұсқаулар мен ескерту белгілерін оқып шығыңыз.
2. Аккумулятор картриджін бөлшектемеңіз.
3. Егер пайдалану уақыты қысқарған болса, пайдалануды дереу тоқтатыңыз. Бұл қызып кету, ықтимал күйіктер немесе тіпті жарылыс қаупін тудыруы мүмкін.
4. Егер электродит көзіңізге тиген болса, көзіңізді таза сумен шайыңыз және дереу медициналық көмекке жүгініңіз. Бұл көру қабілетінен айырылуға әкеп соқтыруы мүмкін.
5. Аккумулятор картриджін жаппаңыз:
  - (1) Клеммаларды кез келген ток өткізгіш материалдармен ұстамаңыз.

- (2) Аккумулятор картриджін ішінде шегелер, тиындар және т.б. басқа металл заттары бар контейнерде сақтамаңыз.
- (3) Аккумулятор блогын суға салмаңыз немесе жаңбыр астында қалдырмаңыз.

Аккумулятор түйіспелерінің тұйықталуы үлкен ток ағынының пайда болуына, қызып кетуге, ықтимал күйіктерге және тіпті бұзылуға себеп болуы мүмкін.

6. Құралды және аккумулятор блогын температурасы 50 °C-ден (122 °F) асатын жерлерде сақтамаңыз.
7. Аккумулятор блогы қатты зақымдалған немесе толығымен тозған болса да, оны отқа жақпаңыз. Аккумулятор блогы отта жарылып кетуі мүмкін.
8. Аккумуляторды құлатып немесе соғып алмаңыз.
9. Зақымдалған аккумуляторды пайдаланбаңыз.
10. Жинаққа кіретін литий-ионды аккумуляторлар денсаулыққа және қоршаған ортаға зиянды заттар заңнамасы талаптарына сәйкес қарастырылады.

Коммерциялық тасымалдау үшін, мысалы, үшінші тараптар, экспедиторлар үшін қаптамада және таңбалауда арнайы талаптар сақталуы тиіс.

Жіберілетін өнімді дайындау үшін қауіпті заттар бойынша сарапшы маманмен кеңесу керек. Сонымен қатар ұлттық ережелерді де толық қарап шығыңыз.

Ашық түйіспелерді жауып, аккумуляторды қаптамаға қозғалмайтындей етіп орналастырыңыз.

11. Аккумуляторды көдеге жаратуға қатысты жергілікті ережелерді орындаңыз.

12. Аккумуляторларды тек Makita компаниясы көрсеткен өнімдермен бірге пайдаланыңыз. Аккумуляторларды үйлесімді емес өнімдерге орнату өртке, қызып кетуге, жарылысқа немесе электролит ағуына әкеп соқтыруы мүмкін.

## ОСЫ НҰСҚАУЛАРДЫ САҚТАҢЫЗ.

**⚠ АБАЙ БОЛЫҢЫЗ:** Тек түпнұсқа Makita аккумуляторларын пайдаланыңыз. Түпнұсқа емес Makita аккумуляторларын немесе өзгертілген аккумуляторларды пайдалану нәтижесінде өрт, жарақат алу немесе зақымдалуға себеп болатын аккумулятор жарылуына әкелуі мүмкін. Ол сондай-ақ Makita құралы мен зарядтау құрылғысы үшін Makita кепілдігінің күшін жояды.

## Аккумулятордың максималды қызмет ету мерзімін сақтау бойынша кеңестер

1. Аккумулятор картриджін қуаты толығымен отырмас бұрын зарядтаңыз. Электр құралының қуаты аз екендігін байқаған кезде, құрал жұмысын тоқтатып, аккумулятор картриджін зарядтаңыз.
2. Толығымен зарядталған аккумулятор картриджін ешқашан қайта зарядтамаңыз. Артық зарядтау аккумулятордың қызмет ету мерзімін қысқартады.
3. Аккумулятор картриджін 10 °C - 40 °C (50 °F - 104 °F) бөлме температурасында зарядтаңыз. Зарядтамас бұрын аккумулятор картриджін суытыңыз.
4. Егер аккумулятор картриджін ұзақ уақыт бойы (алты айдан артық) пайдаланбаған болсаңыз, оны зарядтаңыз.

## ФУНКЦИОНАЛДЫҚ СИПАТТАМАСЫ

**⚠ АБАЙ БОЛЫҢЫЗ:**

- Құралдың функциясын реттемес және тексермес бұрын, әрдайым құралдың өшірулі екендігіне және аккумулятор картриджінің алынғанына көз жеткізіңіз.

## Аккумулятор картриджін орнату немесе алу (1-сурет)

**⚠ АБАЙ БОЛЫҢЫЗ:**

- Аккумулятор картриджін орнатпас немесе алмас бұрын, әрдайым құралды өшіріңіз.
- Аккумулятор картриджін орнатқан немесе алған кезде құралды және аккумулятор картриджін мықтап ұстаңыз. Құралды және аккумулятор картриджін мықтап ұстамау, олардың қолыңыздан сырғанап түсіп, нәтижесінде құралдың және аккумулятор картриджінің зақымдалуына және жарақат алуға әкеп соқтыруы мүмкін.

Аккумулятор картриджін алу үшін картридждің алдыңғы жағындағы түймені сырғытып, оны құралдан сырғытып шығарып алыңыз.

Аккумулятор картриджін орнату үшін, аккумулятор картриджіндегі тілшені корпусытағы жырашықпен туралап, оны орнына сырғытып салыңыз. Сырт еткен дыбыс естілмейінше оны орнына итеріп салыңыз. Егер түйменің жоғарғы жағында қызыл индикатор көрініп тұрса, демек ол толығымен құлыпталмаған.

#### ⚠ АБАЙ БОЛЫҢЫЗ:

- Аккумулятор картриджін әрдайым қызыл индикатор көрінбейтіндей етіп, толығымен орнатыңыз. Олай жасамаған жағдайда, ол құралдан кездейсоқ түсіп қалып, сізді немесе айналаңыздағы адамдарды жарақаттауы мүмкін.
- Аккумулятор картриджін күштеп орнатпаңыз. Егер картридж жеңіл сырғымаса, демек ол дұрыс салынбаған.

### Аккумуляторды қорғау жүйесі (жұлдыз тәрізді белгісі бар литий-ионды аккумулятор) (2-сурет)

Жұлдыз тәрізді белгісі бар литий-ионды аккумуляторлар қорғау жүйесімен жабдықталған. Бұл жүйе аккумулятордың қызмет ету мерзімін ұзарту үшін құралдың қуат көзін автоматты түрде өшіреді. Егер құрал және/немесе аккумулятор төмендегі жағдайлардың біреуіне тап болса, құрал жұмыс барысында автоматты түрде тоқтайды:

- Шамадан тыс жүктелген:
  - Құрал тым жоғары ток шығаратын күйде жұмыс істеуде.
  - Бұл жағдайда құралдағы ауыстырып-қосқыш шүріппені босатып, құралдың шамадан тыс жүктелуіне себеп болған қолданбаны тоқтатыңыз. Содан кейін қайта іске қосу үшін ауыстырып-қосқыш шүріппені тартыңыз.
  - Егер құрал іске қосылмаса, аккумулятордың қызып кеткендігін білдіреді. Бұл жағдайда ауыстырып-қосқыш шүріппені қайта тартпас бұрын, аккумуляторды суытыңыз.
- Аккумулятордың төмен кернеуі:
  - Аккумулятордың қалған қуаты өте төмен, сондықтан құрал жұмыс істемейді. Бұл жағдайда аккумуляторды шығарып алып, зарядтаңыз.

### Аккумулятордың қалған қуатын көрсету (3-сурет)

(Елге байланысты)

Ауыстырып-қосқыш шүріппесін тартқан кезде, жарық диодты индикатор дисплейі келесі кестеде аккумулятордың қалған қуатын көрсетеді.

Жарықдиодты индикатор күйі	Аккумулятордың қалған қуаты
	Шамамен 50% немесе одан да көп
	Шамамен 20% - 50%
	Шамамен 20%-дан аз

#### ЕСКЕРТПЕ:

- Жарықдиодты индикатор дисплейі аккумулятор қуатын үнемдеу үшін, ауыстырып-қосқыш шүріппесін босатқаннан кейін шамамен бір минуттан кейін өшеді. Қалған аккумулятор қуатын тексеру үшін, ауыстырып-қосқыш шүріппесін жай ғана тартыңыз.
- Жарықдиодты индикатор дисплейі жанғанда, бірақ құрал тіпті қайта зарядталған аккумулятор картриджімен жұмыс істемесе, құралды толықтай суытыңыз. Егер жағдай өзгермесе, құралды Makita жергілікті қызмет көрсету орталығына жөндеуге беріңіз.

## БАСҚАРУ ПРОЦЕДУРАСЫ

Барлық қауіпсіздік нұсқаулары мен басқару процедураларын оқып түсініп орынданыз. Егер нұсқауларды түсінбесеңіз немесе дұрыс жұмыс шарттары дұрыс болмаса, бұл құралды басқаруға болмайды. Басшыға немесе басқа жауапты тұлғаға хабарласыңыз.

#### ⚠ ЕСКЕРТУ:

- Құралға аккумуляторды салу алдында босатылған кезде қайта оралатындай етіп ауыстырып-қосқыш шүріппесін тартып босатыңыз.

Ауыстырып-қосқыш шүріппесі босатылған кезде ол тартылып өшкен сәтте мотор қосылады.

### Ауыстырып-қосқыш құлпының жұмысы (4-сурет)

- А жағындағы ауыстырып-қосқыш құлпын басыңыз. Ауыстырып-қосқыш құлпынан босатылған және шүріппені басқаруға болады.
- В жағындағы ауыстырып-қосқыш құлпын басыңыз. Ауыстырып-қосқыш құлыпталған және шүріппені басқаруға болмайды.

#### ⚠ АБАЙ БОЛЫҢЫЗ:

- Ауыстырып-қосқыш шүріппесі пайдаланбаған сайын құлыпталуы керек.

#### ⚠ ЕСКЕРТУ:

- Басқару алдында құралға қатысты оператор орны мен қоршаған аймақ жұмысқа қауіпсіз екендігін растаңыз. Қауіпсіздік көзілдіріктерін тағып, қорғағыш киімді киіңіз.
- Осы нұсқаулықтан құрал сипаттамаларын қараңыз және құралдың кесу мүмкіндігінен асатын қаттылықты немесе өлшемді арматураны кесуге болмайды.
- Арматурадан басқа материалды кесуге болмайды. Басқа материалдарды кесу керек болса, өндірушіден сұраңыз.

#### ⚠ ЕСКЕРТУ:

- Зақымдалған (шытынаған, сынған, бұзылған) немесе майысып қалған алмастарды бірден ауыстырыңыз. Алмас шынайы кеспейді және сынық немесе бұзылыс ауыр жеке жарақатқа себеп болуы мүмкін.

## Кесу процедурасы

### ⚠ ЕСКЕРТУ:

- Құралды орнындағы протекторсыз ешқашан пайдаланбаңыз. Әйтпесе ауыр жарақатқа әкелуі мүмкін. (5-сурет)
  - Протектор - бөлшектердің операторға қарай шығарылуын болдырмайтын жабдық. Ол арматураның осы тік бағытын жобалаудың алдын ала алады. Протекторды бөлшектерден қорғайтындей етіп орналастырыңыз.
  - Кейбір суреттерде протектор көрсетілген, бірақ ол тек протектор үшін көрсетуге арналған. Протекторды үнемі орнында пайдаланыңыз.
1. Алмастар арасына кесілетін арматураны орналастырыңыз. (6-сурет)  
Арматура алмастарға 90 градуста болуы үшін, тоқтатышты кесілетін арматура диаметріне сәйкес реттеңіз. Тоқтатыш арматураны тірейді және кесу кезінде алмастарға перпендикуляр ұстайды. (7-сурет)

### ⚠ ЕСКЕРТУ:

1. Арматураны кесу кезінде арматура алмастарға 90 градуста болуы үшін, тоқтатышты кесілетін арматура диаметріне сәйкес реттеңіз. Бұл реттеуіс кесілген бөлік ұшып кетуі мүмкін және операторға немесе бөгде адамдарға ауыр жарақат келтіруі мүмкін. Оператордың құралға қатысты орнын ешқашан тексермей қалмаңыз және оператор мен айналадағы орта қауіпсіздігін растаңыз.
2. Арматураны протекторға тимейтіндей етіп, алмастар арасына айтарлықтай терең орналастырыңыз. (8-сурет)

### ⚠ ЕСКЕРТУ:

- Кесілетін арматура алмастар арасына толығымен орналастырылмаса, алмастар зақымдалады; арматура бірден шығарылады және ауыр жеке жарақатқа себеп болуы мүмкін.

### ⚠ ЕСКЕРТУ:

- Кесілетін бөлік ұзындығы 200 мм-ден қысқа болғанда арматураны кесуге болмайды. Қысқа ұзындықты кесу арматураны кесу кезінде ұшып кетуіне себеп болып, ауыр жеке жарақатқа себеп болуы мүмкін. (9-сурет)

### ⚠ ЕСКЕРТУ:

- Арматураны тоқтатышпен дұрыстап тірмейінше кесуге болмайды. Кесу кезінде арматураны тоқтатыш жағында ұстаңыз. (10, 11 суреттері)  
Ондай болмаса, кесілген бөлік ұшып кетуі мүмкін және операторға немесе бөгде адамдарға ауыр жарақат келтіруі мүмкін.
3. А жағындағы ауыстырып-қосқыш құлпын басыңыз. Ауыстырып-қосқыш құлпытан босатылған және шүріппені басқаруға болады.
  4. Кесу жұмысын бастау үшін ауыстырып-қосқыш шүріппесін басыңыз. Арматураны кесу үшін дискілі алмас ара өзегі алға жылжиды. Дискілі алмас ара өзегі жүріс шетіне тоқтағанша ауыстырып-қосқышты басулы ұстаңыз.

5. Кесу жұмысы аяқталып, дискілі алмас ара өзегі жүріс шетіне жеткен соң, ауыстырып-қосқыш шүріппесін босатыңыз. Одан кейін ауыстырып-қосқыш өзегі бастапқы орнына автоматты түрде оралады. Ауыстырып-қосқыш өзегінің жүрісі аяқталмаса, ол оралмайды. Сөйкесінше ауыстырып-қосқыш өзегі бастапқы орнына толығымен оралғаннан кейін алға қайта жылжымайды. Дискілі алмас ара өзегі бастапқы орнына толығымен оралып тоқтағаннан кейін, келесі кесу жұмысын бастау үшін ауыстырып-қосқышты басыңыз.

### ⚠ ЕСКЕРТУ:

- Керіліс күші жоғары арматураны кескен кезде кесілген бөлік ұшып кетуі мүмкін және операторға ауыр жарақат келтіруі мүмкін. Жұмысын бастау алдында қауіпсіздік көзідіріктерін киіп, айналадағы аймақ қауіпсіз екендігін растаңыз.

### ⚠ ЕСКЕРТУ:

- Жұмыс барысында қолдарыңыз бен бетіңізді алмастардан, жылжымалы бөлшектерден және кесу аймағынан алшақ ұстаңыз. Аккумуляторды қолданыстан кейін бірден құралдан алыңыз.

### ЕСКЕРТПЕ:

- Құрал корпусының температурасы 70°C (160°F) көрсеткішінен асса, құрал мүмкіндігі төмендейді. Бұндай жағдайда қолданысты тоқтатып, құралды суытыңыз.

### ЕСКЕРТПЕ:

- Жолақ ұстағыш шетіндегі ауа саңылауын ластану мен қалдықсыз сақтаңыз. Ауа саңылауы ішкі қысымды бақылайды және кедергі келтірілмеуі керек. (12-сурет)

## Мотордың бұрылу функциясы (13-сурет)

Жұмыс барысында мотор корпусын 360 градуска кез келген бағытта бұрылуы мүмкін. Бұл мүмкіндік қиын немесе тар аймақтарда жұмыс істегенде пайдалы, себебі ол операторға құралды оңай жұмыс орнына орналастыруға мүмкіндік береді.

## Қайтару клапаны жұмысы (14-сурет)

Қайтару клапанының функциясы - кесу жұмысын аяқтау мүмкін болмағанда немесе кептелген жағдайда дискілі алмас ара өзегін бастапқы орнына қайтару. Қайтару клапанын жартылай бұрылысқа босату май қысымын түсіріп, дискілі алмас араның оралуына мүмкіндік береді. Дискілі алмас ара өзегі толығымен қайтарылған соң және келесі жұмысты бастау алдында қайтару клапанын қайта бекемдеңіз.

## АЛМАСТАРДЫ АУЫСТЫРУ ПРОЦЕДУРАСЫ

Алмастардың кескіш жиектері шытынаса, сынса, майысып қалса немесе зақымдалса, кесу қабілеті төмендейді. Мұндай жағдайларда кесу қосымша зақымға себеп болып, жеке жарақатқа әкелуі мүмкін. Зақым табылған жағдайда алмастарды бірден ауыстыру керек.

### ЕСКЕРТУ:

- Алмастарды ауыстыру кезінде кездейсоқ жұмысты болдырмас үшін аккумуляторды құралдан алыңыз. Жолақ ұстағыштағы А алмасы мен дискілі алмас ара өзегіндегі В жағы дұрыс орындарына бекітілгеніне көз жеткізіңіз. **(15-сурет)**

1. А және В алмасын ұстайтын болттар мен шайбаларды босатыңыз.
2. Ластануды кетіріп, жаңа алмастар бекітілетін беттерді тазалаңыз.
3. А алмасын жолақ ұстағышқа, ал В алмасын дискілі алмас ара өзегіне бекітіңіз. Болттар мен шайбаларды ауыстырып, жақсылап бекемдеңіз.

### ЕСКЕРТУ:

- А және В алмасын ұстайтын болттар жүйелі бекітілуі керек. Егер болттар босаса, алмастар зақымдалып, жеке жарақатқа әкелуі мүмкін.

## Қосалқы алмас пен ажырату түрі (16-сурет)

Бекіткіш болттар дұрыстап бекемделуі керек.  
Алмастың дұрыстап бекемделгенін жүйелі растаңыз.

Қосалқы алмас өлшемі

●Үлгіңізге дұрыс алмастарды анықтау үшін осы кестені пайдаланыңыз.

Үлгісі	А (жолақ ұстағышқа бекітілген)	В (дискілі алмас ара өзегіне бекітілген)
DSC163 (ø3 - ø16)	22 × 17 × 9 мм (болт өлшемі: 5 мм)	22 × 17 × 8 мм (болт өлшемі: 5 мм)

### ЕСКЕРТПЕ:

- Тек түпнұсқалы Makita алмастарын пайдаланыңыз.

## МАЙ ҚОСУ

Бұл аккумуляторлы гидравликалық қайшы - электрогидравликалық құрал. Зауыттан жөнелтілген кезде маймен толтырылған. Құрал жақсы жұмыс істеп тұрғанда май қосуға болмайды. Уақыт өте келе май деңгейі жүйелі төмендейді. Ақырында, бұл өнімділіктің айтарлықтай төмендеуіне себеп болады. Осы орын алса, майды келесі жолмен қосыңыз.

1. Алмастар арасында арматураны салып, ауыстырып-қосқыш шүріппесін тартыңыз.
2. Құралды тоқтату үшін кесу аяқталмай тұрып ауыстырып-қосқыш шүріппесін босатыңыз.
3. Құралдан аккумуляторды алыңыз, сонда алмастарды кездейсоқ жылжымайды.
4. Май құйғыш саңылауын жабатын болтты (SB10x15) алыңыз. Май қосып, майдың моторға шашырауын бақылаңыз.
5. Болтты (SB10x15) ауыстырып, дұрыстап бекемдеңіз.
6. Аккумуляторды құралға салып, кесу жұмысын аяқтаңыз.
7. Май деңгейі дұрыс болғанша жоғарыдағы процедураны бірнеше рет қайталаңыз.

### ⚠ АБАЙ БОЛЫҢЫЗ:

- Бұл құралда Makita ұсынған таза гидравликалық май ғана қолдану ұсынылады. Ұсынылған майларға Makita берген гидравликалық май, Super Hyrando #46 (JX Nippon Oil & Energy Corp.); Shell Tellus Plus #46 (U.S. Shell) немесе балама сипаттағы тозуға қарсы гидравликалық май, ISO 46-шы тұтқырлық деңгейі кіреді. Басқа майларды қолдануға болмайды, себебі олар бекітпелер мен басқа ішкі машина бөлшектеріне зақым келтіруі мүмкін.

# АҚАУЛЫҚТАРДЫ ЖОЮ

## ⚠ ЕСКЕРТУ:

- Машинада жұмыс істеу алдында аккумуляторды алыңыз.

МӘСЕЛЕ	СЕБЕБІ	ШЕШІМІ
Дискілі алмас ара өзегі ұзартылмайды.	Май жеткіліксіз	Майды толтырыңыз. ("Майды қосу" бөлімін қараңыз)
	Дискілі алмас ара өзегі мен жолақ ұстағыш арасына қалдықтың жиналуына байланысты дискілі алмас ара өзегі толығымен қайтарылмады.	Дискілі алмас ара өзегін қолмен басыңыз. Қалдықты кетіріп тазалау
	Дискілі алмас ара өзегінің зақымдалуына байланысты дискілі алмас ара өзегі толығымен қайтарылмады.	Дискілі алмас ара өзегін ауыстырыңыз.
	Бос немесе зақымдалған алмастарға байланысты дискілі алмас ара өзегі толығымен қайтарылмады.	Алмас болттарын бекемдеңіз. Алмастарды ауыстыру
	Бос қайтару серіппесіне байланысты дискілі алмас ара өзегі толығымен қайтарылмады.	Қайтару серіппесін ауыстыру.
Арматураны кесуге қуат жеткіліксіз.	Май жеткіліксіз.	Майды толтырыңыз. ("Майды қосу" бөлімін қараңыз)
	Қайтару клапаны дұрыс орнатылмаған немесе орны зақымдалған.	Қайтару клапаны мен орнын тазалау кеңесі. Орынның сызатын кетіріңіз.
	Қайтару клапаны, зақымдалған.	Ауыстыру.
	Цилиндр мен поршень арасындағы аралық дұрыс емес.	Поршеньді ауыстыру (ескертпе: поршеньдердің әр түрлі өлшемдері қолжетімді)
	Тексеру клапаны дұрыс орнатылмаған немесе орны зақымдалған.	Тексеру клапаны мен орнын тазалаңыз. Ауыстыру.
	Уретан қаптама, зақымдалған немесе бүлінген.	Ауыстыру.
Май кемуі.	Майды реттегіш қуысы, зақымдалған немесе бүлінген.	Ауыстыру.
	Дискілі алмас ара өзегі/жолақ ұстағыш, О пішінді сақина зақымдалған, өзек/жолақ ұстағыш, беті сызылған немесе ойылған.	Резервтік сақина мен О пішінді сақинаны ауыстырыңыз. Дискілі алмас ара өзегін/жолақ ұстағышты ауыстыру
	Цилиндр/жолақ ұстағыш, О пішінді сақина зақымдалған	О пішінді сақинаны ауыстыру.
	Цилиндр/сорап корпусы, нығыздама зақымдалған.	В лайнерін ауыстырыңыз.
	Жолақ ұстағыш/цилиндр/сорап корпусы, ернемек болттары бос.	Болттарды бекемдеңіз.
Мотор қозғалмайды. Мотор баяу немесе өзгермелі.	Кернеуі дұрыс емес.	Аккумуляторды зарядтаңыз.
	Аккумулятордың қызмет мерзімі бітуге жақын.	Аккумуляторды ауыстырыңыз.
	ТТ моторы артық кернеуден зақымдалған.	ТТ моторын ауыстырыңыз.
	ТТ моторы мойынтіректері немесе берілісі зақымдалған немесе бүлінген.	Мойынтіректерді немесе берілісті ауыстырыңыз.

## ЕСКЕРТПЕ:

- Сораптың ішкі құрамдастары мен поршень аймағы рұқсат шектері өте төмен және гидравликалық сұйықтықпен ластанудан, шаңнан, лайдан немесе бұрыс қолданыстан болатын зақымды сезгіш. Сорап корпусын бөлшектеу арнайы құралдар мен дайындықты талап етеді және дұрыс дайындалған әрі дұрыс құралдары бар білікті жөндейтін қызметкерлер тарапынан орындалуы керек. Электрлік құрамдастарға дұрыс қызмет көрсетпеу ауыр жарақатқа себеп болуы мүмкін жағдайларға әкелуі мүмкін. Сорап, поршень құрамдастары мен барлық электрлік бөлшектерге тек өкілетті жөндеу орталығы, дилер немесе дистрибьютор тарапынан қызмет көрсетілуі керек.

# ТЕХНИКАЛЫҚ ҚЫЗМЕТ КӨРСЕТУ

## **⚠ АБАЙ БОЛЫҢЫЗ:**

- Тексеру немесе техникалық қызмет көрсету жұмыстарын жүргізуге әрекеттенбес бұрын, әрдайым құралдың өшірулі екендігіне және аккумулятор картриджінің алынғанына көз жеткізіңіз.
- Жанармайды, бензинді, сұйылтқышты, спиртті немесе соған ұқсас заттарды ешқашан пайдаланбаңыз. Нәтижесінде түссіздену, бүліну немесе жарықтар пайда болуы мүмкін.

Өнімнің ҚАУІПСІЗДІГІ мен СЕНИМДІЛІГІН қамтамасыз ету үшін жөндеу, кез келген басқа техникалық қызмет көрсету немесе реттеу жұмыстары әрдайым Makita қосалқы бөлшектерін пайдалану арқылы Makita компаниясының өкілетті қызмет көрсету орталықтары тарапынан орындалуы керек.

## ҚОСЫМША КЕРЕК-ЖАРАҚТАР

### **⚠ АБАЙ БОЛЫҢЫЗ:**

- Бұл керек-жарақтар мен қондырмаларды осы нұсқаулықта көрсетілген Makita құралымен бірге пайдаланған дұрыс. Басқа керек-жарақтар мен қондырмаларды пайдалану адамдардың жарақаттануына әкелуі мүмкін. Керек-жарақты немесе қондырманы тек мақсатына сәйкес пайдаланыңыз.

Осы керек-жарақтар туралы қосымша мәлімет алу үшін, жергілікті Makita қызмет көрсету орталығына хабарласыңыз.

- Makita түпнұсқа аккумуляторы және зарядтау құрылғысы

### **ЕСКЕРТПЕ:**

- Тізімдегі кейбір элементтер стандартты керек-жарақтар ретінде құралдың қаптамасында болуы мүмкін. Олар елге байланысты әртүрлі болуы мүмкін.

Makita Europe N.V.

Jan-Baptist Vinkstraat 2,  
3070 Kortenberg, Belgium

Makita Corporation

3-11-8, Sumiyoshi-cho,  
Anjo, Aichi 446-8502 Japan