

Makita Europe N.V. Jan-Baptist Vinkstraat 2,
3070 Kortenberg, Belgium

Makita Corporation 3-11-8, Sumiyoshi-cho,
Anjo, Aichi 446-8502 Japan

3A81b35Z8000B
DMR200-SE8-1706

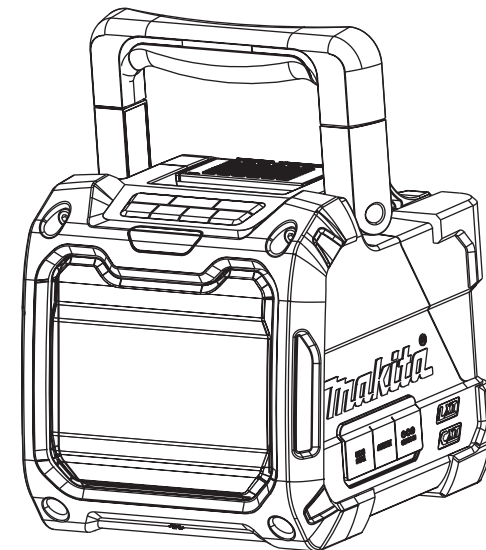
www.makita.com

SJN

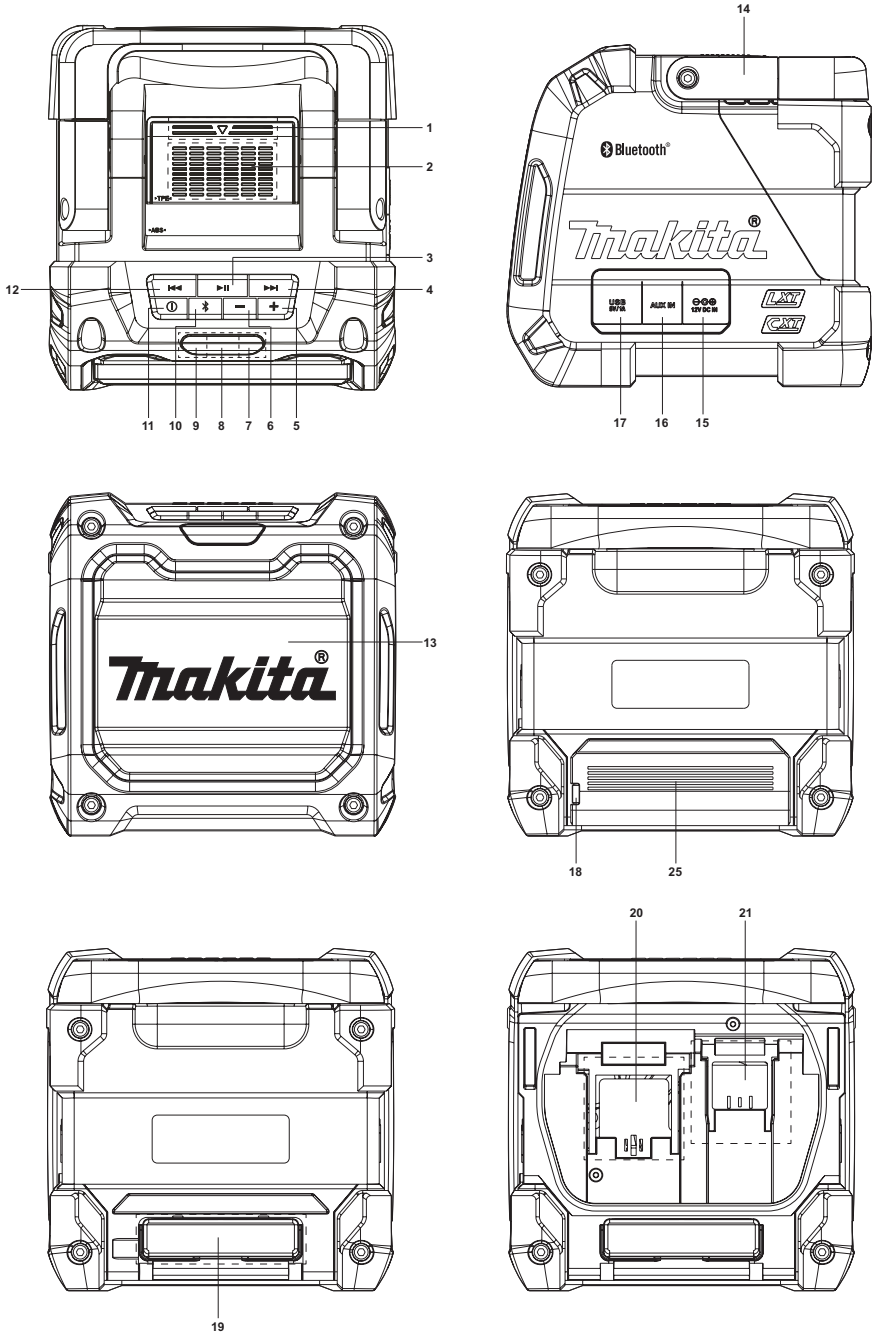
Makita[®]

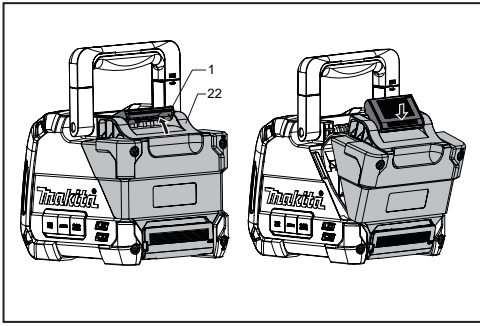
EN	Cordless Job Site Speaker	Instruction manual
SV	Trådlös arbetsplats högtalare	Bruksanvisning
NO	Trådløs høyttaler til arbeidsplassen	Instruksjonsmanual
FI	Langaton työmaakaiutin	Käyttöopas
RU	Аккумуляторная Акустическая Колонка Для Строительных Площадок	Руководство по использованию
LV	Bezvadu skaļrunis objektā	Instrukciju rokasgrāmata
LT	Belaidis darbo aikštelės grotuvas	Vartotojo instrukcija
ET	Juhtmeta töökohta kõlar	Kasutusjuhend

DMR200

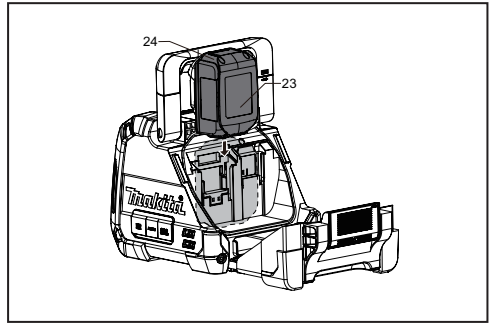


Explanation of general view

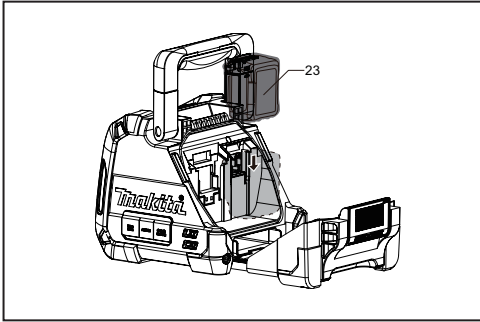




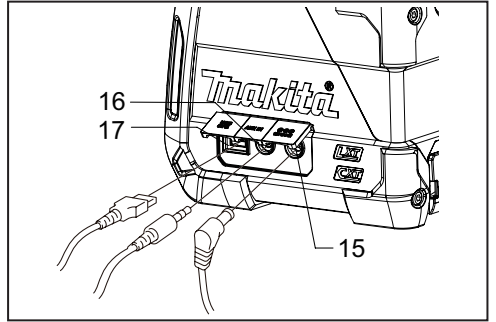
2



3



4



5

ENGLISH (Original instructions)

Symbols

The following show the symbols used for the equipment. Be sure that you understand their meaning before use.



Read instruction manual.



Only for EU countries

Do not dispose of electric equipment or battery pack together with household waste material!

In observance of the European Directives, on Waste Electric and Electronic Equipment and Batteries and Accumulators and Waste Batteries and Accumulators and their implementation in accordance with national laws, electric equipment and batteries and battery pack(s) that have reached the end of their life must be collected separately and returned to an environmentally compatible recycling facility.

IMPORTANT SAFETY INSTRUCTIONS

⚠ WARNING:

When using electric tools, basic safety precautions should always be followed to reduce the risk of fire, electric shock, and personal injury, including the following:

1. Read this instruction manual and the charger instruction manual carefully before use.
2. Clean only with dry cloth.
3. Do not install near any heat sources such as radiators, heat registers, stoves, or other apparatus (including amplifiers) that produce heat.
4. Only use attachments/accessories specified by the manufacturer.
5. Unplug this apparatus during lightning storms or when unused for long periods of time.
6. A battery operated speaker with integral batteries or a separate battery pack must be recharged only with the specified charger for the battery. A charger that may be suitable for one type of battery may create a risk of fire when used with another battery.
7. Use battery operated speaker only with specifically designated battery packs. Use of any other batteries may create a risk of fire.
8. When battery pack is not in use, keep it away from other metal objects like: paper clips, coins, keys, nails, screws, or other small metal objects that can make a connection from one terminal to another. Shorting the battery terminals together may cause sparks, burns, or a fire.
9. Avoid body contact with grounded surfaces such as pipes, radiators, ranges and refrigerators. There is an increased risk of electric shock if your body is grounded.
10. Under abusive conditions, liquid may be ejected from the battery; avoid contact. If contact accidentally occurs, flush with water. If liquid contacts eyes, additionally seek medical help. Liquid ejected from the battery may cause irritation or burns.
11. The MAINS plug is used as the disconnect device, and

it shall remain readily operable.

SAVE THESE INSTRUCTIONS

SPECIFIC SAFETY RULES

FOR BATTERY CARTRIDGE

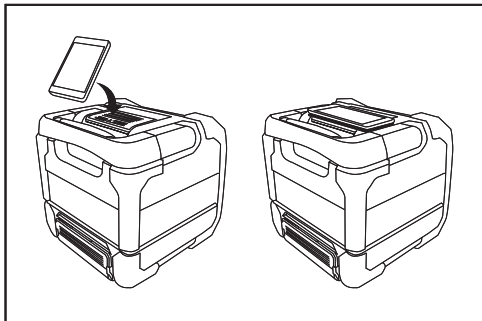
1. Before using battery cartridge, read all instructions and cautionary markings on (1) battery charger, (2) battery, and (3) product using battery.
2. Do not disassemble battery cartridge.
3. If operating time has become excessively shorter, stop operating immediately. It may result in a risk of overheating, possible burns and even an explosion.
4. If electrolyte gets into your eyes, rinse them out with clear water and seek medical attention right away. It may result in loss of your eyesight.
5. Do not short the battery cartridge:
 - (1) Do not touch the terminals with any conductive material.
 - (2) Avoid storing battery cartridge in a container with other metal objects such as nails, coins, etc.
 - (3) Do not expose battery cartridge to water or rain. A battery short can cause a large current flow, overheating, possible burns and even a breakdown.
6. Do not store the tool and battery cartridge in locations where the temperature may reach or exceed 50 °C(122°F)
7. Do not incinerate the battery cartridge even if it is severely damaged or is completely worn out. The battery cartridge can explode in a fire.
8. Be careful not to drop or strike battery.
9. Do not use a damaged battery.

Tips for maintaining maximum battery life

1. Charge the battery cartridge before completely discharged. Always stop tool operation and charge the battery cartridge when you notice less tool power.
2. Never recharge a fully charged battery cartridge. Overcharging shortens the battery service life.
3. Charge the battery cartridge with room temperature at 10 °C - 40 °C (50 °F - 104 °F). Let a hot battery cartridge cool down before charging it.
4. Charge the battery cartridge if you do not use it for a long period (more than six months).

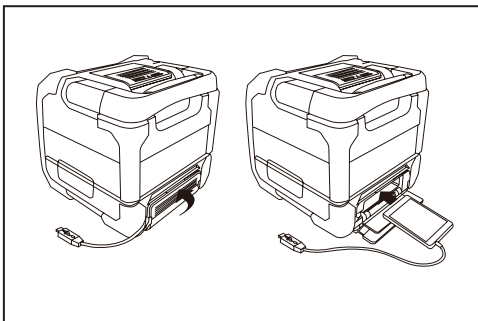
Explanation of general view (Fig.1)

1. Battery compartment locker
2. Mobile (Cell phone) placing panel



3. Play/Pause button
4. Next track button/Fast-forward button
5. Volume up button
6. Volume down button
7. Aux in indicator
8. Volume max. or min. indicator/ Low battery indicator
9. Bluetooth indicator
10. Bluetooth pairing button
11. Power button
12. Previous track button/ Rewind button
13. Speaker
14. Handle
15. DC in socket
16. Auxiliary input socket
17. USB charging socket

18. Cable hole
19. Mobile (Cell phone) storage cabinet



20. 14.4 V/18V battery terminal
21. 10.8V-12Vmax battery terminal
22. Battery cover
23. Battery cartridge
24. Button
25. Mobile storage cabinet cover

Power

The speaker can be powered by Makita battery packs or a standard wall outlet.

Power by battery

The following table indicates the operating time on a single charge.

Battery capacity	Battery Cartridge Voltage			AT SPEAKER OUTPUT = 100mW (unit: Hour) (Approximately)			
	10.8V-12Vmax	14.4V	18V	AUX IN	Bluetooth	AUX IN +USB(2.1A)	Bluetooth +USB(2.1A)
1.3Ah		BL1415	BL1815	7.5	7.0		1.0
1.5Ah	BL1015/ BL1016			12	11		1.0
		BL1415N		10	9.0		1.0
2.0Ah			BL1815N	9.5	9.0		1.5
	BL1020B/ BL1021B			15	14		1.0
3.0Ah			BL1820/ BL1820B	13	12		2.0
		BL1430/ BL1430B		16	15		2.0
4.0Ah			BL1830/ BL1830B	18	17		3.0
	BL1040B/ BL1041B			31	28		2.5
5.0Ah		BL1440		26	24		3.0
			BL1840/ BL1840B	25	24		4.0
6.0Ah		BL1450		31	29		3.5
			BL1850/ BL1850B	32	31		5.5
6.0Ah		BL1460B		34	32		4.0
			BL1860B	39	37		6.5

Installing or removing slide battery cartridge (Fig. 3 and 4)

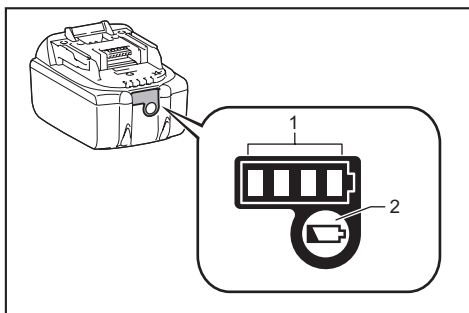
- To install the battery cartridge, align the tongue on the battery cartridge with the groove in the housing and slip it into place. Always insert it all the way until it locks in place with a little click.
- If you can see the red indicator on the upper side of the button, it is not locked completely. Install it fully until the red indicator cannot be seen. If not, it may accidentally fall out of the tool, causing injury to you or someone around you.
- Do not use force when inserting the battery cartridge. If the cartridge does not slide in easily, it is not being inserted correctly.
- To remove the battery cartridge, sliding it from the tool while pressing the button on the front of the cartridge.

Note:

When the speaker is in low battery, the middle LED will flash in red.

Indicating the remaining battery capacity

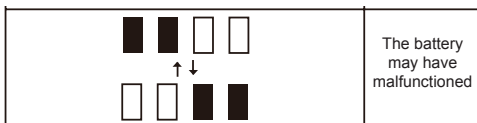
Only for battery cartridges with "B" at the end of the model number



- 1. Indicator lamps 2. Check button

Press the check button on the battery cartridge to indicate the remaining battery capacity. The indicator lamps light up for few seconds.

Indicator lamps			Remaining capacity
Lighted	Off	Blinking	
■ ■ ■ ■			75% to 100%
■ ■ ■ □			50% to 75%
■ ■ □ □			25% to 50%
■ □ □ □			0% to 25%
■ □ □ □	■		Charge the battery



NOTE: Depending on the conditions of use and the ambient temperature, the indication may differ slightly from the actual capacity.

Using Supplied AC power adaptor (Fig. 5)

Remove the rubber protector and insert the adaptor plug into the DC socket on the right side of the speaker. Plug the adaptor into a standard mains socket outlet. Whenever the adaptor is used, the battery pack is automatically disconnected. The AC adaptor should be disconnected from the main supply when not in use.

IMPORTANT:

The mains adaptor is used as the means of connecting the speaker to the mains supply. The mains socket used for the speaker must remain accessible during normal use. In order to disconnect the speaker from the mains completely, the mains adaptor should be removed from the mains outlet completely.

USB power supply socket

This jack can be used to charge a mobile phone or any other device that uses less than 2.1A of DC current. Charging will only occur when the speaker is switched on. **Note:** Ensure the specification of your external device such as mobile phone, mp3 player or iPod is compatible with the speaker. Please read instruction manual of your external device before charging.

IMPORTANT:

- Before connecting USB device to the charger, always backup your data of USB device. Otherwise your data may lose by any possibility.
- The charger may not supply power to some USB devices.
- When not using or after charging, remove the USB cable and close the cover.
- Do not connect power source to USB port. Otherwise there is risk of fire. The USB port is only intended for charging lower voltage device.
- Do not insert a nail, wire, etc. into USB power supply port. Otherwise a circuit short may cause smoke and fire.
- Do not connect this USB socket with your PC USB port, as it is highly possible that it may cause breakdown of the units.


Pairing and connecting a device to the speaker

You need to pair your Bluetooth device with the speaker before you can auto-link to play/stream Bluetooth music through the speaker. Pairing creates a 'bond' so two

devices can recognize each other.

To have the better sound quality, we recommend setting the volume to more than two-thirds level on your Bluetooth device and then adjust the volume on the speaker as required.

Pairing and playing your Bluetooth device for the first time



1. Press the Power button  to turn on the speaker and the Bluetooth indicator will flash in blue. The indicator flashes fast flashing blue indicating the speaker is discoverable.
2. Activate Bluetooth on your device according to the device's user manual to link to the speaker. Locate the Bluetooth device list and select the device named 'DMR200.' With some mobiles (which are equipped with earlier versions than BT2.1 Bluetooth device), you may need to input the pass code "0000".
3. Once connected, there will be a beep sound and the Bluetooth indicator will remain in solid blue. You can simply select and play any music from your source device. Volume control can be adjusted from your source device, or directly from the speaker.
4. Use the controls on your Bluetooth-enabled device or on the speaker to play/pause and navigate tracks.

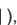




Note:

1. If 2 Bluetooth devices, pairing for the first time, both search for the speaker, it will show its availability on both devices. However, if one device links with this unit first, then the other Bluetooth device won't find it on the list.
2. If your Bluetooth device is temporarily disconnected to the speaker, then you need to manually reconnect your device again to the speaker.
3. If 'DMR200' shows in your Bluetooth device list but your device cannot connect with it, please delete the item from your list and pair the device with the speaker again following the steps described previously.
4. The effective operation range between the system and the paired device is approximately 10 meters (30 feet). Any obstacle between the system and the device can reduce the operational range.
5. Bluetooth connectivity performance may vary depending on the connected Bluetooth devices. Please refer to the Bluetooth capabilities of your device before connecting to the speaker. All features may not be supported on some paired Bluetooth devices.

Playing audio files in Bluetooth mode

When you have successfully connected the speaker with the chosen Bluetooth device you can start to play your music using the controls on your connected Bluetooth device.

1. Once playing has started adjust the volume to the required setting using the Volume buttons   on the speaker or on your enabled Bluetooth device. When you press the Volume up/down button, the volume indicator will flash in fast flashing red. If the indicator light in solid red, it indicates the volume is in maximum volume or minimum volume.

2. Use the controls on your device to play/pause and navigate tracks. Alternatively, control the playback using Play/Pause () , Next track () , Previous track buttons () on the speaker.
3. Press and hold the Next track  or Previous button  to fast-forward/Rewind the current track. Release the button when the desired point in the track is reached.


Note:

1. That not all player applications or devices may respond to all of these controls.
2. Some mobile phones may temporarily disconnect from the speaker when you make or receive calls. Some devices may temporarily mute their Bluetooth audio streaming when they receive text messages, emails or for other reasons unrelated to audio streaming. Such behaviour is a function of the connected device and does not indicate a fault with the speaker.

Speaker memory and reconnecting a device

The speaker can memorize up to 8 sets of paired device, when the memory exceed this amount, the oldest pairing history will be over written. If your Bluetooth device already paired with the speaker previously, the unit will memorize your Bluetooth device and it attempts to reconnect with a device in memory which is last connected. If the last connected device is not available, the speaker will be discoverable.

Disconnecting your Bluetooth device

Press and hold the Bluetooth pairing button  for 2-3 seconds to disconnect with your Bluetooth device. The Bluetooth indicator flashes in blue indicating the speaker is discoverable again for pairing.

Playing music via auxiliary input socket

A 3.5mm Auxiliary input socket is provided on the right side of the unit to permit an audio signal to be fed into the unit from any devices that features a headphone or audio output, such as an iPod, MP3 or CD player.

1. Connect a stereo or mono audio source (for example, iPod, MP3 or CD player) to the Auxiliary input socket (marked 'AUX') and the Aux in indicator turns green indicating the speaker is in auxiliary input mode.
2. Adjust the Volume control on your iPod, MP3 or CD player to ensure an adequate signal and then adjust the volume on the speaker for comfortable listening.
3. To have the better sound quality, we recommend setting the volume to more than two-thirds level on your audio device and then adjust the volume on the speaker as required.

Note:

When Aux in socket is connected an audio device, Bluetooth function will be disabled to minimize power consumption.

MAINTENANCE

CAUTION:

- Never use gasoline, benzine, thinner, alcohol or the like. Discoloration, deformation or cracks may result.

Specification

Amplifier

Output power	10.8V:3.5W 14.4V:6W 18V:10W
Frequency response	50Hz~20kHz

Aux In

Input sensitivity	250mVrms @100Hz
-------------------	-----------------

Speaker

Main speaker	101.6mm 8 ohm 10W
Tweeter speaker	36mm 8ohm 10W

Bluetooth

Bluetooth version	4.0
Bluetooth profiles	A2DP/ SCMS-T/ AVRCP
Transmission power	Bluetooth specification power Class 2
Transmission range	Max. 10m (varies according to usage conditions)
Supported codec	SBC
Compatible Bluetooth profile	A2DP
Maximum radio-frequency power : BT EDR:	3.84 dBm /
BT LE:	3.46 dBm

General

AC power adaptor	DC in 12V 1.5A, center pin positive
Battery	Slide battery: 10.8V-12V/max/ 14.4 V/ 18 V
Weight	2.7KG (without battery)

The company reserves the right to amend the specification without notice.

SVENSKA (Originalanvisningar)

Symboler

Följande visar de symboler som används för utrustningen. Se till att du förstår innebörden före användning.



Läs bruksanvisningen.



Gäller endast EU-länder

Elektrisk utrustning eller batteripaket får inte kastas i hushållssoporna!

Enligt EU-direktiverna som avser förbrukad elektrisk och elektronisk utrustning, batterier, ackumulatörer, förbrukade batterier och ackumulatörer, samt direktivens tillämpning enligt nationell lagstiftning, ska uttjänt elektrisk utrustning, batterier och batteripaket sorteras separat och lämnas till miljövänlig återvinning.

VIKTIG SÄKERHETSINFORMATION INSTRUKTIONER

⚠ VARNING:

Vid användning av elektriska verktyg måste grundläggande säkerhetsföreskrifter alltid följas för att minska risken för brand, elektriska stötar och personskador, inklusive följande:

1. Läs denna bruksanvisning and laddarens bruksanvisning noga innan användning.
2. Rengör endast med torr trasa.
3. Installera inte i närheten av värmekällor såsom element, värmeutsläpp, spisar eller andra apparater (inklusive förstärkare) som avger värme.
4. Använd endast tillbehör/tillbehör som anges av tillverkaren.
5. Koppla ur apparaten under åskväder eller när den inte används under en längre tid.
6. En batteridrivna högtalare med integrerade batterier eller ett separat batteri måste laddas endast med den specificerade laddaren för batteriet. Laddare som kan vara lämpliga för en typ av batteri kan medföra risk för brand när den används med ett annat batteri.
7. Använd batteridrivna högtalare endast med specifikt avsedda batterier. Användning av andra batterier kan medföra risk för brand.
8. När batteriet inte används, hålla det borta från andra metallföremål som: gem, mynt, nycklar, spikar, skruvar eller andra små metallföremål som kan göra en anslutning från en terminal till en annan. Kortslutning av batteripolerna tillsammans kan orsaka gnistor, brännskador eller brand.
9. Undvik kroppskontakt med jordade ytor som rör, värmeelement, spisar och kylskåp. Det finns en ökad risk för elstötar om din kropp är jordad.
10. Enligt felaktig användning kan vätska komma ut från batteriet; undvik kontakt. Om kontakt uppstår oavsiktligt, spola med vatten. Om vätska från batteriet kommer i kontakt med ögonen, sök medicinsk hjälp. Vätska från batteriet kan orsaka irritation eller brännskador.
11. Stickproppen används som fränkopplingsanordning och

den skall vara lätt åtkomlig.

SPARA DESSA INSTRUKTIONER

SPECIFIKA SÄKERHETSFÖRESKRIFTER

FÖR BATTERIKASSETTEN

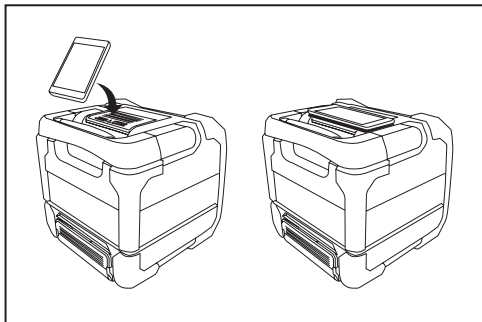
1. Innan du använder batterikassetten, läsa alla instruktioner och varningsmarkeringar på (1) batteriladdaren, (2) batteriet och (3) produkten med batteri.
2. Ta inte isär batterikassetten.
3. Om drifttiden har blivit överdrivet kortare, sluta använd omedelbart. Det kan leda till en risk för överhettning, eventuella brännskador och även en explosion.
4. Om du får elektrolyt i ögonen, skölj dem med rent vatten och uppsök läkare direkt. Det kan leda till förlust av synen.
5. Kortslut inte batterikassetten:
 - (1) Rör inte terminalerna med något ledande material.
 - (2) Undvik att förvara batterikassetten i en behållare med andra metallföremål såsom spikar, mynt, etc.
 - (3) Utsätt inte batterikassetten för vatten eller regn. En kortslutning kan orsaka ett stort strömförlöde, överhettning, möjliga brännskador och även ett haveri.
6. Förvara inte verktyget och batterikassetten på platser där temperaturen kan nå eller överstiga 50 ° C (122 ° F)
7. Bränn inte batterikassetten, även om den är allvarligt skadad eller helt utsliten. Batterikassetten kan explodera vid brand.
8. Var noga med att inte tappa eller slå på batteriet.
9. Använd inte ett skadat batteri.

Tips för att upprätthålla maximal batteritid

1. Ladda batterikassetten innan den är helt urladdad. Stoppa alltid verktygsdrift och ladda batterikassetten när du märker mindre verktygsström.
2. Ladda aldrig en fulladdad batterikasset. Överladdning förkortar batteriets livslängd.
3. Ladda batteripatronen vid rumstemperatur 10 ° C - 40 ° C (50 ° F - 104 ° F). Låt en varm batterikasset svalna innan du laddar den.
4. Ladda batterikassetten om du inte tänker använda den under en längre period (mer än sex månader).

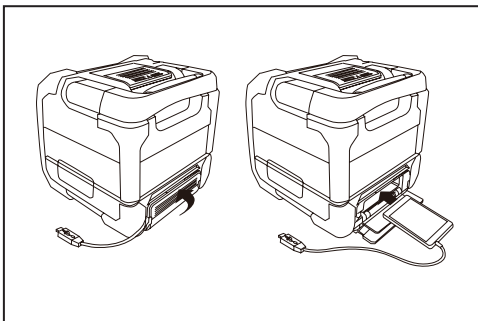
Förklaring av allmän översikt (Fig. 1)

1. Batterifack lås
2. Mobil (Mobiltelefon) placeringspanel



3. Spela/Pause-knappen
4. Nästa spår-knapp/Snabbspola framåt-knappen
5. Volym upp-knappen
6. Sänk volym-knappen
7. Aux i indikator
8. Volym max. eller min. indikator/lågt-batteriindikator
9. Bluetooth-indikator
10. Bluetooth parningsknappen
11. Strömbrytare
12. Tidigare spår-knapp/Spola tillbaka-knappen
13. Högtalare
14. Handtag
15. DC-uttag
16. Extraingång
17. USB-laddningsuttag

18. Vajerhål
19. Mobil (Mobiltelefon) förvaringsskåp



20. 14,4 V/18V batteripol
21. 10,8V-12Vmax batteriterminal
22. Batterilock
23. Batteripatron
24. Knapp
25. Mobil förvaringsskåp lock

Ström

Högtalaren kan drivas med Makita-batterier eller ett vanligt vägguttag.

Ström från batteri

Nedanstående tabell visar drifttid från en uppladdning.

Batterikapacitet	Batteripatron spänning			AT HÖGTALARE EFFEKT = 100 mW (enhet: Timmar) (Cirka)			
	10,8V-12Vmax	14,4V	18V	AUX IN	Bluetooth	AUX IN +USB(2,1A)	Bluetooth +USB(2,1A)
1,3Ah		BL1415	BL1815	7,5	7,0		1,0
1,5Ah	BL1015/ BL1016			12	11		1,0
		BL1415N		10	9,0		1,0
2,0Ah			BL1815N	9,5	9,0		1,5
	BL1020B/ BL1021B			15	14		1,0
3,0Ah			BL1820/ BL1820B	13	12		2,0
		BL1430/ BL1430B		16	15		2,0
4,0Ah			BL1830/ BL1830B	18	17		3,0
	BL1040B/ BL1041B			31	28		2,5
		BL1440		26	24		3,0
5,0Ah			BL1840/ BL1840B	25	24		4,0
		BL1450		31	29		3,5
6,0Ah			BL1850/ BL1850B	32	31		5,5
		BL1460B		34	32		4,0
			BL1860B	39	37		6,5

Installera eller ta bort glidbatterikassetten (Fig. 3 och 4)

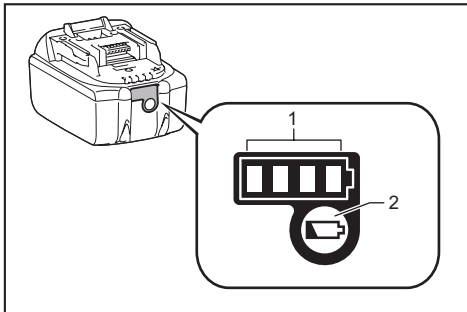
- För att installera batterikassetten, rikta tungan på batterikassetten med spåret i huset och låt den glida på plats. Infoga den alltid hela vägen tills den låses på plats med ett liten klick.
- Om du kan se den röda indikatorn på den övre sidan av knappen, är den inte låst helt. Installera den helt tills den röda indikatorn inte syns. Om inte, kan den ramla ut ur verktyget, skada dig eller någon i din omgivning.
- Använd inte våld när du sätter i batterikassetten. Om kassetten inte glider in lätt, har den inte satts in på rätt sätt.
- För att ta bort batterikassetten, dra den från verktyget medan du trycker på knappen på framsidan av patronen.

Notera:

När högtalarens batterinivå är låg kommer mellersta lysdioden blinka rött.

Indikerar den återstående batterikapaciteten

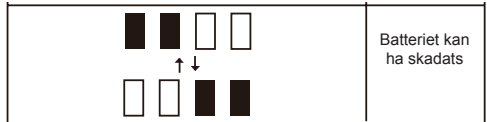
Endast för batterikassetter med "B" i slutet av modellnumret



- 1. Indikatorlampor 2. Kontrollera knapp

Tryck på kontrollknappen på batterikassetten för att indikera den återstående batterikapaciteten. Indikatorlamporna lyser i några sekunder.

Indikatorlampor			Återstående kapacitet
Tänd	Av	Blinkar	
■	■	■	75% to 100%
■	■	□	50% to 75%
■	□	□	25% to 50%
■	□	□	0% to 25%
■	□	□	Ladda batteriet



NOTERA: Beroende på användningsförhållanden och omgivningstemperaturen, kan indikationen skilja sig något från den faktiska kapaciteten.

Använda medföljande nätadapter (Fig. 5)

Ta bort gummiskyddet och sätt i adapterkontakten i DC-uttaget på höger sida av högtalaren. Anslut adaptern till ett vanligt vägguttag. När adaptern används, är batteriet automatiskt bortkopplat. Nätadaptern ska kopplas bort från huvudförsörjningen när den inte används.

VIKTIGT:

Nätadaptern används som medel för att ansluta högtalaren till elnätet. Eluttaget som används för högtalaren måste vara tillgänglig under normal användning. För att koppla bort högtalaren från elnätet helt bör nätadapter tas bort från vägguttaget helt och hållet.

USB-eluttag

Detta uttag kan användas för att ladda en mobiltelefon eller någon annan enhet som använder mindre än 2.1A av likström. Laddning sker endast när högtalaren är påslagen. **Notera:** Se till att specifikationen för dina externa enheter såsom mobiltelefoner, mp3-spelare eller iPod är kompatibel med högtalaren. Läs igenom bruksanvisningen för den externa enheten innan du laddar.

VIKTIGT:


- Innan du ansluter en USB-enhet till laddaren, säkerhetskopiera alltid dina data på en USB-enhet. Annars kan din data gå förlorad.
- Laddaren får inte leverera ström till vissa USB-enheter.
- När du inte använder eller efter laddning, ta bort USB-kabeln och stäng locket.
- Anslut inte strömkällan till USB-porten. Annars finns det risk för brand. USB-porten är endast avsedd för laddning av lägre spänningsanordningar. Placera alltid locket på USB-porten när du inte laddar lägre spänningsanordningar.
- Sätt inte in en spik, tråd, etc. till USB-strömförsörjningens port. Annars kan det bli kortslutning och orsaka rök och eld.
- Anslut inte USB-uttaget med datorns USB-port, eftersom det är mycket möjligt att det kan orsaka nedbrytning av enheterna.

Para ihop och ansluta en enhet till högtalaren

Du måste koppla ihop din Bluetooth-enhet med din DMR200 innan du kan auto-link för att spela/Bluetooth musik via Bluetooth-högtalare. Ihopparning skapar en "bindning så två enheter kan känna igen varandra. För att få bättre ljudkvalitet rekommenderar vi att ställa in volymen till mer än två tredjedels nivå på din Bluetooth

enhet och sedan justera volymen på högtalaren efter behov.

Para ihop och spela din Bluetooth-enhet för första gången






1. Tryck på strömbrytaren  för att slå på högtalaren och Bluetooth-indikatorn blinkar blått. När indikatorn blinkar snabbt blå indikerar det att högtalaren är upptäckbar.
2. Aktivera Bluetooth på enheten enligt enhetens instruktionsbok för att länka till högtalaren. Leta efter listan över Bluetooth-enheter och välj den enhet som heter "DMR200." Med vissa mobiler (som är utrustade med tidigare versioner än BT2.1 Bluetooth-enhet), kan du behöva ange koden "0000".
3. När du är ansluten, kommer du att höra ett pip och Bluetooth-indikatorn kommer att förbli i fast blått sken. Du kan enkelt välja och spela musik från din källanhet. Volymkontroll kan justeras från källanheten, eller direkt från högtalaren.
4. Använd kontrollerna på din Bluetooth-aktiverade enhet eller på högtalaren för att spela upp / pausa och navigera spår.



Notera:

1. Om två Bluetooth-enheter, kopplas ihop för första gången, båda söker efter din DMR200, kommer den att visa sin tillgänglighet för båda enheterna. Men om man enhetslänkar med en enhet först, kommer den andra Bluetooth-enheten inte hitta den på listan.
2. Om din Bluetooth-enhet är tillfälligt fränkopplad till din högtalare, måste du manuellt koppla in enheten igen till högtalaren.
3. Om "DMR200" visas på din Bluetooth-enhet listan men enheten kan inte ansluta med den, ska du ta bort objektet från listan och enheten kopplas samman med högtalaren igen, följ stegen som beskrivs ovan.
4. Den effektiva räckvidden mellan systemet och den ihopparade enheten är cirka 10 meter (30 fot). Alla hinder mellan systemet och enheten kan minska räckvidden.
5. Bluetooth-prestanda kan variera beroende på de anslutna Bluetooth-enheter. Se Bluetooth-funktionerna i din enhet innan du ansluter till din högtalare. Alla funktioner kanske inte stöds på vissa ihopkopplade Bluetooth-enheter.

Spela upp ljudfiler i Bluetooth-läge

När du har anslutit högtalare med den valda Bluetooth-enhet kan du börja spela din musik med hjälp av kontrollerna på den anslutna Bluetooth-enheten.

1. När du börjat spela justera volymen till önskad inställning med hjälp av volymknapparna   på din högtalare eller på din aktiverade Bluetooth-enhet. När du trycker på/med knappen Volym upp, kommer volymindikatorn blinka snabbt rött. Om indikatorlampan är fast rött, betyder det att volymen är på hög volym eller minimal volym.
2. Använd reglagen på enheten för att spela upp/pausa och navigera spår. Alternativt, styra uppspelningen med hjälp av Spela/Pausa ( ||), Nästa spår ( ►►), Föregående spår knapparna ( ◀◀) på högtalaren.

3. Tryck och håll Nästa spår  eller knappen Föregående  för att snabbspola framåt/Spola tillbaka det aktuella spåret. Släpp knappen när den önskade punkten i spåret har nåtts.


Notera:

1. Att inte alla uppspelningsprogram eller enheter kan svara på alla dessa kontroller.
2. Vissa mobiltelefoner kan tillfälligt koppla från högtalaren när du ringer eller tar emot samtal. Vissa enheter kan tillfälligt stänga sin Bluetooth audio streaming när de tar emot textmeddelanden, e-post eller av andra skäl inte är relaterade till ljud streaming. Sådana beteenden är en funktion av den anslutna enheten och tyder inte på något fel med din högtalare.

Högtalarminne och återansluta en enhet

Din högtalare kan lagra upp till 8 uppsättningar av parade enheter, när minnet överstiger detta belopp, kommer den äldsta ihopkopplingen i historiken vara överskriven. Om din Bluetooth-enhet som redan parats ihop med högtalaren tidigare kommer enheten memorera din Bluetooth-enhet och den försöker att återansluta med en anordning i minnet som är sist ansluten. Om den sista anslutna enheten inte är tillgänglig, kommer högtalaren kunna upptäckas.

Koppla bort din Bluetooth-enhet

Tryck och håll parningsknappen  i 2-3 sekunder för att koppla bort din Bluetooth-enhet. När Bluetooth-indikatorn blinkar i blått anger det att högtalaren är upptäckbar igen för parning.

Spela musik via extraingången

En 3,5 mm AUX-ingång finns på den högra sidan av enheten för att tillåta en ljudsignal som matas in i enheten från alla enheter som har hörlurar eller ljudutgång, såsom en iPod, MP3 eller CD-spelare.

1. Anslut en stereo eller mono-ljudkälla (exempelvis iPod, MP3 eller CD-spelare) till AUX-ingången (märkt "AUX") och när Aux in-indikatorn blir grön anger det att högtalaren är i extraingångsläge.
2. Ställ in volymkontrollen på din iPod, MP3 eller CD-spelare för att säkerställa en tillräcklig signal och sedan justera volymen på högtalaren för bekväm lyssning.
3. För att få bättre ljudkvalitet rekommenderar vi att ställa in volymen till mer än två tredjedels nivå på din Audio enhet och sedan justera volymen på högtalaren efter behov.

Notera:

När Aux in-uttaget är ansluten till en ljudenhet, kommer Bluetooth-funktionen inaktiveras för att minimera strömförbrukningen.

UNDERHÅLL

⚠ FÖRSIKTIGHET:

- Använd aldrig bensin, thinner, alkohol eller liknande. Missfärgning, deformation eller sprickor kan uppstå.

Specifikation

Förstärkare

Uteffekt	18V:10W 14,4V:6W 10,8V:3,5W
Frekvensrespons	50Hz ~ 20kHz

Aux in

Ingångskänslighet	250mVrms @100Hz
-------------------	-----------------

Högtalare

Huvudhögtalare	101.6mm 8 ohm 10W
Tweeter-högtalare	36mm Bohm 10W

Bluetooth

Bluetooth-version	4.0
Sändareffekt	Bluetooth-specifikation effektclass 2
Överföringsräckvidd	Max. 10 m (varierar beroende på användningsförhållanden)
Bluetooth-profiler	A2DP/ SCMS-T/ AVRCP
Stödda codec	SBC
Kompatibel Bluetooth-profil	A2DP
Maximal radiofrekvens effekt:	BT EDR: 3,84 dBm / BT LE: 3,46 dBm

Allmänt

Nätadapter	DC 12V 1,5A, mittstiftet positiv
Batteri Slide batteri	10.8V-12Vmax/14,4 V/18 V
Vikt	2,7KG (utan batteri)

Bolaget förbehåller sig rätten att ändra produktspecifikationen utan förvarning.

NORSK (Originalinstruksjoner)

Symboler

Under følger symbolene for maskinen.

Se til at du forstår deres betydning før bruk.



Les instruksjonsmanualen.



Kun for EU-land

Kast aldri elektriske produkter eller batteripakker i husholdningsavfallet!

I henhold til EU-direktivene om kasserte elektriske og elektroniske produkter, og om batterier og akkumulatører og brukte batterier og akkumulatører og direktivenes iverksetting i nasjonal rett, må elektriske produkter og batterier og batteripakker som ikke lenger skal brukes, samles separat og returneres til et miljøvennlig gjenvinningsanlegg.

VIKTIGE SIKKERHETSINSTRUKSJONER

⚠ ADVARSEL:

Ved bruk av elektriske verktøy, bør grunnleggende sikkerhetstiltak alltid tas for å redusere risikoen for brann, elektrisk støt og personskade. Også inkludert følgende:

1. Les denne instruksjonsmanualen og manualen for laderen nøye før bruk.
2. Rengjør kun med en tørr klut.
3. Ikke plasser apparatet nær varmekilder som radiatorer, ovner og lignende (inkludert forsterkere) som produserer varme.
4. Bruk kun ekstrautstyr som er spesifisert av produsenten.
5. Koble fra apparatet ved tordenvær eller når det ikke brukes over lang tid.
6. Høytalere med integrert batteri eller med egen batterikassett må kun lades med den medfølgende laderen. En lader som kan brukes med en type batteri, kan være brannfarlig i bruk med andre batterier.
7. Bruk kun godkjente batterier i høytaleren. Andre batterier kan øke brannfaren.
8. Hold batteriet unna metallobjekter som binders, mynter, nøkler, spiker, skruer og andre små metallgjenstander som kan lage binding mellom to terminaler når batteriet ikke brukes. Kobling av de to batteriterminalene kan skape gnister, brannskader eller brann.
9. Unngå kroppskontakt med jordede overflater som rør, radiatorer, kjeder og kjøleskap. Risikoen for elektrisk støt er høyere hvis kroppen din er jordet.
10. Ved misbruk kan det lekke væske fra batteriet. Unngå kontakt. Hvis du ved uhell kommer i kontakt med væsken, vask godt med vann. Hvis væsken kommer i kontakt med øynene, søk legehjelp. Væske fra batteriet kan forårsake irritasjon eller brannskår.
11. Støpselet brukes som frakoblingsenhet og skal være lett tilgjengelig.

BEHOLD DISSE INSTRUKSENE

SPESIFIKKE SIKKERHETSREGLE

FOR BATTERIKASSETTEN

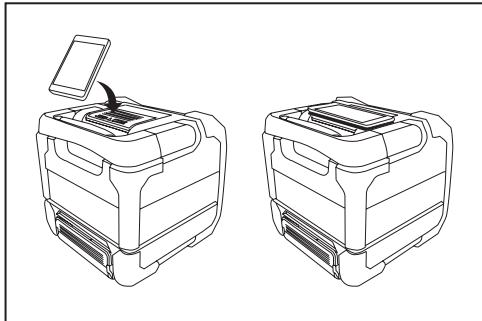
1. Les alle intrukser og varselmarkeringene på (1) batteriladeren, (2) batteriet og (3) produktet som bruker batteriet før bruk av batterikassetten.
2. Ikke demonter batterikassetten.
3. Hvis brukstiden tydelig blir kortere, avslutt bruk med en gang. Da det kan føre til overoppheting, mulige brannskader og til og med eksplosjon.
4. Hvis elektrolytter kommer i kontakt med øynene dine, vask dem godt med rent vann og søk legehjelp umiddelbart. Det kan føre til blindhet.
5. Ikke kortslutt batterikassetten:
 - (1) Ikke la strømledende metaller komme i kontakt med terminalene.
 - (2) Unngå å oppbevare batterikassetten i beholdere med andre metallobjekter som spiker, mynter osv.
 - (3) Ikke utsett batteriet for vann eller regn. Kortslutning av batteriet kan føre til høy spenning, overoppheting, mulige brannskader og til og med sammenbrudd.
6. Ikke oppbevar apparatet og batterikassetten på steder med temperaturer som kan overskride 50 °C.
7. Ikke brenn batterikassetten selv om den er tydelig skadet eller oppbrukt. Batterikassetten kan eksplodere i kontakt med brann.
8. Pass på å ikke miste eller slå batteriet.
9. Ikke bruk et batteri med skade.

Tips for å vedlikeholde maksimum levetid for batteriet

1. Lad batteriet før det er fullstendig utladet. Stopp alltid bruken av verktøyet og lad batteriet når du merker at verktøyet har lite kraft.
2. Aldri lad en fulladet batterikassett. Overladning forkorter levetiden til batteriet.
3. Lad batterikassetten ved romtemperatur 10 °C - 40 °C. Hvis batterikassetten er varm, la den kjøle seg ned før lading.
4. Lad batterikassetten hvis du ikke bruker batteriet over lang tid (mer enn seks måneder).

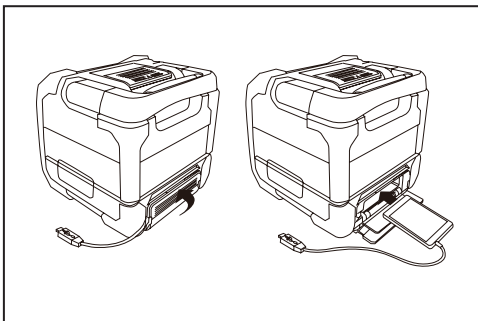
Forklaring av oversikt (Fig.1)

1. Batterikammer
2. Plasseringspanel for mobil



3. Spill av-/Pause-knapp
4. Neste spor-/Spol fremover-knapp
5. Volumopp-knapp
6. Volumned-knapp
7. Aux in indikator
8. Volum max. eller min. indikator/Indikator for lavt batteri
9. Bluetooth indikator
10. Bluetooth parings-knapp
11. Start-knapp
12. Forrige spor-/Spol bakover-knapp
13. Høytaler
14. Håndtak
15. Kontakt for DC inn
16. Kontakt for aux input
17. USB-ladingskontakt

18. Kabelrom
19. Lagringskabinett for mobil telefon



20. 14,4 V/18V batteriterminal
21. 10,8V-12Vmaks. batteriterminal
22. Batterideksel
23. Batterikasset
24. Knapp
25. Deksel for lagringskabinettet for mobiltelefoner

Strøm

Høytaleren kan drives av Makita-batteripakker eller via vanlig vegguttak.

Batteridrift

Tabellen under viser brukstiden etter en lading.

Batterikapasitet	Spenning til batterikassetten			VED HØYTTALERINSSTILLING = 100mW (enhet: time) (Omtrentlig)			
	10,8V- 12Vmaks.	14,4V	18V	AUX IN	Bluetooth	AUX IN +USB(2,1A)	Bluetooth +USB(2,1A)
1,3Ah		BL1415	BL1815	7,5	7,0		1,0
1,5Ah	BL1015/ BL1016			12	11		1,0
		BL1415N		10	9,0		1,0
2,0Ah			BL1815N	9,5	9,0		1,5
	BL1020B/ BL1021B			15	14		1,0
3,0Ah			BL1820/ BL1820B	13	12		2,0
		BL1430/ BL1430B		16	15		2,0
4,0Ah			BL1830/ BL1830B	18	17		3,0
	BL1040B/ BL1041B			31	28		2,5
5,0Ah		BL1440		26	24		3,0
			BL1840/ BL1840B	25	24		4,0
6,0Ah		BL1450		31	29		3,5
			BL1850/ BL1850B	32	31		5,5
6,0Ah		BL1460B		34	32		4,0
			BL1860B	39	37		6,5

Sette inn eller ta ut batterikassett (Fig. 3 og 4)

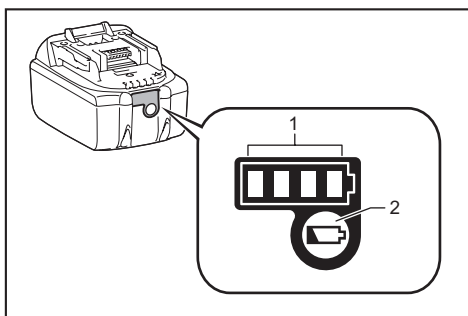
- Innrett tungen på batterikassetten med rillen i apparatet og la det skli på plass for å sette inn batterikassetten. Dytt det forsiktig inn til det låses på plass med et lite klikk.
- Hvis du kan se den røde indikatoren på oversiden av knappen, er ikke batterikassetten last på plass. Dytt den inn til du ikke kan se den røde indikatoren. Hvis ikke kan batteriet falle ut av apparatet ved et uhell, og skade deg eller noen rundt deg.
- Ikke bruk kraft når du setter batteriet inn. Hvis batteriet ikke sklir på plass enkelt, så har det ikke blitt satt inn riktig.
- For å ta ut batterikassetten, trykk på knappen foran kassetten samtidig som du drar det forsiktig ut.

Merk:

Når høyttaleren har lite batteri, vil det midterste LED-lyset blinke rødt.

Indikerer gjenværende batterikapasitet

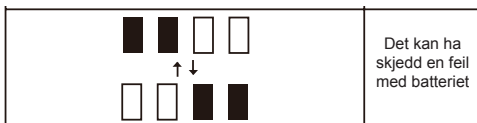
Kun for batterikassetter med "B" på slutten av modellnummeret



- 1. Indikatorlamper 2. Sjekkeknapp

Trykk på sjekkeknappen til batterikassetten for å få en indikasjon på batterikapasiteten. Indikatorlampen vil lyse i noen få sekunder.

Indikatorlamper			Gjenværende kapasitet
Belyst	Av	Bliker	
■ ■ ■ ■			75% til 100%
■ ■ ■ □			50% til 75%
■ ■ □ □			25% til 50%
■ □ □ □			0% til 25%
▣ □ □ □			Lad batteriet



Det kan ha skjedd en feil med batteriet

MERK: Indikasjonen kan avvike fra den reelle kapasiteten avhengig av bruksforhold og temperatur.

Bruk av den medfølgende AC strømadapteren (Fig. 5)

Ta vekk gummibeskyttelsen og sett adapter-pluggen inn i DC-kontakten på høyre side av høyttaleren. Koble adapteren til vegguttaket. Batteriet kobles automatisk fra når adapteren er i bruk. AC-adapteren bør kobles fra vegguttaket når den ikke er i bruk.

VIKTIG:

Strømadapteren brukes for å koble høyttaleren til vegguttak. Vegguttaket som brukes til høyttaleren må være tilgjengelig under normal bruk. For å fullstendig koble høyttaleren fra vegguttaket, bør strømadapteren også kobles fra.

USB-port som strømkilde

Denne kontakten kan brukes til å lade mobil eller annet elektrisk utstyr som bruker mindre enn 2.1A.

Lading vil kun skje når høyttaleren er på.

Merk: Pass på at spesifikasjonene til ditt elektriske utstyr (mobil, mp3-spiller eller iPod) er kompatibel med høyttaleren. Vennligst les brukermanualen til ditt elektriske utstyr før lading.

VIKTIG:

- Ta alltid en backup av dataet på USB-enheten før du kobler den til laderen. Ellerskandethende du mister data.
- Noen USB-enheter støtter ikke laderen, og kan ikke lades.
- Fjern USB-kabelen og lukk dekslet når USB-porten ikke er i bruk eller ladingen er fullført.
- Du må ikke koble en strømkilde til USB-porten. Dette kan føre til brannfare. USB-porten er kun laget for å lade enheter med lav spenning. Lukk alltid dekslet når USB-porten ikke er i bruk.
- Ikke sett spikere, metalltråder osv. inn i USB-porten.
- Dette kan føre til en kortslutning som igjen kan føre til røyk og brann.
- Ikke koble USB-porten til en USB-port på PC da dette
- med stor sannsynlighet kan føre til at begge enhetene blir ødelagt.


Paring og tilkobling av en enhet til høyttaleren

Du er nødt til å pare en Bluetooth-enhet til DMR200 før du kan auto-linke og spille av/stream Bluetooth-musikk via høyttaleren. Paring skaper en "kobling" slik at de to enhetene kan gjenkjenne hverandre.

For å oppnå den beste lyd kvaliteten anbefaler vi å stille volumet til mer enn 2/3 av lydnivået på Bluetooth-enheten

og deretter justere volumet på høyttaleren etter behov.

Første gangs paring og avspilling av en Bluetooth-enhet


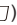



1. Trykk på Start-knappen  for å skru på høyttaleren. Bluetooth-indikatoren vil blinke blått. Indikatoren blinker raskt når høyttaleren er synlig for tilkobling.
2. Aktiver Bluetooth på enheten din ved å følge enhetens brukermanual for å koble til høyttaleren. Finn Bluetooth-enhetslisten og velg enheten kalt 'DMR200.' På noen mobiler (Bluetooth-enheter som har tidligere versjoner enn BT2.1), kan det hende du må skrive inn passordet: "0000".
3. Når du har koblet til, vil det komme et pip og Bluetooth-indikatoren vil være fullstendig blå. Du kan da enkelt velge og spille av musikk fra kilde-enheten. Volumet kan justeres fra kilde-enheten (mobilen) eller direkte fra høyttaleren.
4. Bruk kontrollene på kilde-enheten eller kontrollene på høyttaleren for å spille av/pause og bytte spor.


Merk:

1. Hvis det er 2 Bluetooth-enheter under første paring, vil begge kunne oppdage DMR200 og vise høyttaleren som tilgjengelig. Men hvis en av enhetene kobler til DMR200 først, så vil ikke den andre enheten kunne finne høyttaleren på listen lenger.
2. Hvis Bluetooth-enheten din midlertidig kobles fra høyttaleren, må du koble den til på nytt manuelt.
3. Hvis 'DMR200' vises i Bluetooth-enhetslisten men du ikke kan koble til, vennligst slett enheten fra listen og par enheten med høyttaleren på nytt ved å følge trinnene over.
4. Rekkevidden mellom høyttaleren og den parede enheten er ca. 10 meter. Hvis det er forhindringer mellom høyttaleren og enheten, kan dette redusere rekkevidden.
5. Kvaliteten til Bluetooth-tilkoblingen kan variere avhengende av Bluetooth-enhetene. Vennligst undersøkk enhetens Bluetooth-egenskaper før du kobler den til høyttaleren. Det kan hende at ikke alle Bluetooth-enheter støtter alle funksjoner.

Avspilling av lydfiler i Bluetooth-modus

Når du har koblet den ønskede enheten til høyttaleren kan du begynne å spille av musikk med kontrollene på Bluetooth-enheten din.

1. Når avspillingen har startet kan du justere volumet til ønskede innstillinger ved å bruke volumknappene ( ) på høyttaleren eller på den tilkoblede Bluetooth-enheten. Når du trykker på volum opp/ ned-knappene, vil volumindikatoren blinke rødt. Hvis indikatoren kun kontinuerlig lyser rødt betyr det at volumet er på maksimum eller minimum nivå.
2. Bruk kontrollene på enheten din til å spille av/pause og bytte spor. Alternativt kan du bruke Spill av-/Pause () eller Nestespor () eller Forrige spor-knappene () på høyttaleren.

3. Trykk og hold nede Nestespor  eller Forrige spor for å spole fremover/bakover. Slipp knappen når du har kommet til ønsket del av sporet.


Merk:

1. Ikke alle avspillings-apper eller enheter kan reagere på alle kontrollene.
2. Noen mobiltelefoner kan midlertidig koble fra høyttaleren når du ringer eller mottar anrop. Noen enheter kan midlertidig dempe Bluetooth-streamingen når de mottar tekst-meldinger, e-poster eller på grunn av andre grunner som ikke er relatert til streaming av lyd. Disse hendelsene skjer på grunn av den tilkoblede enheten og er ikke en indikasjon på et problem med høyttaleren din.

Høyttalerminne og tilkobling av en enhet på nytt

Høyttaleren din kan huske opptil 8 parede enheter. Når minnet overgår denne mengden, vil den eldste parede enheten bli overskrevet. Hvis bluetoothenheten har blitt koblet til høyttaleren før, vil høyttaleren huske Bluetooth-enheten og prøve å koble til den enheten den sist var koblet til. Hvis den sist tilkoblede enheten ikke er tilgjengelig, vil høyttaleren være tilgjengelig for paring.

Frakobling av Bluetooth-enhet

Trykk og hold nede Bluetooth parings-knappen  i 2-3 sekunder for å koble fra Bluetooth-enheten. Bluetooth-indikatoren vil blinke blått, som indikerer at den er tilgjengelig for paring.

Avspilling av musikk via aux input-kontakten

En 3.5mm aux input-kontakt kan finnes på den høyre siden av enheten som lar et lydsignal bli matet inn i høyttaleren fra en hvilken som helst enhet med hodetelefon- eller lyd-utgang, som iPoder, MP3-spillere eller CD-spillere.

1. Koble til en mono eller stereo lydkilde (for eksempel iPod, MP3 eller CD-spiller) til aux input-kontakten (merket 'AUX'). Aux-indikatoren blir grønn som viser at høyttaleren er i aux input-modus.
2. Juster volumkontrollen på iPoden, MP3 spilleren eller CD-spilleren din for å sikre at signalet er høyt nok, og juster deretter volume på høyttaleren til et komfortabelt lytevolum.
3. For å oppnå den beste lyd kvaliteten anbefaler vi å stille volumet til mer enn 2/3 av lydnivået på Audio og deretter justere volumet på høyttaleren etter behov.

Merk:

Når aux input-kontakten er koblet til en lyd enhet vil Bluetooth-funksjonen slås av for å minimere strømbruk.

VEDLIKEHOLD

Forsiktighet:

- Bruk aldri bensin, benzene, tynner, alcohol og lignende da dette kan føre til misfarging, deformasjon eller sprekker.

Spesifikasjoner

Forsterker

Utgangseffekt	18V:10W 14,4V:6W 10,8V:3,5W
Frekvensrespons	50Hz~20kHz

Aux In

Input-følsomhet	250mVrms @100Hz
-----------------	-----------------

Høytaler

Hovedhøytaler	101,6mm 8 ohm 10W
Diskanthøytaler	36mm 8ohm 10W

Bluetooth

Bluetooth versjon	4.0
Bluetooth-profiler	A2DP/SCMS-T/AVRCP
Overføringseffekt	Bluetooth specification power Class 2
Overføringsrekkevidde	Max. 10m (varierer etter brukerforhold)
Støttet codec	SBC
Kompatibel Bluetooth profil	A2DP
Maximal radiofrekvens effekt:	BT EDR: 3,84 dBm / BT LE: 3,46 dBm

Generelt

AC strøm adapter	DC in 12V 1.5A, center pin positive
Batteri:Skli-batteri	10,8V-12Vmaks./14,4 V/18 V
Vekt	2,7KG (uten batteri)

Selskapet reserverer seg for rettigheten til å endre spesifikasjonene uten varsel.

SUOMI (Alkuperäiset ohjeet)

Symbolit

Tuotteessa käytetyt merkit tai symbolit löytyvät alta. Varmista, että ymmärrät niiden merkityksen ennen tuotteet käyttöä.



Lue käyttöopas.



Koskee vain EU-maita

Älä hävitä sähkölaitteita tai akkuja tavallisen kotitalousjätteen mukana!

Sähkö- ja elektroniikkalaiteromua koskevan EU-direktiivin ja paristoja ja akkuja sekä käytettyjä paristoja ja akkuja koskevan direktiivin ja niiden maakohtaisten sovellusten mukaisesti käytetyt sähkölaitteet ja akut on toimitettava ongelmajätteen keräyspisteeseen ja ohjattava ympäristöstävälliseen kierrätykseen.

TÄRKEITÄ TURVALLISUUSOHJEITA

⚠ VAROITUS:

Sähkötyökaluja käyttäessä on aina noudatettava varovaisuutta, jotta tulipalojen, sähköiskujen tai muiden vammojen mahdollisuus olisi mahdollisimman pieni. Noudata myös seuraavia ohjeita:

1. Lue tämä käyttöohje ja laturin ohjeet huolellisesti ennen käyttöä.
2. Puhdista laite vain kuivalla liinalla.
3. Älä aseta tuotetta lämpöä tuottavien laitteiden, kuten lämpöpatterien, liesien, kamiinoiden tai vahvistimien lähelle.
4. Käytä vain valmistajan hyväksymiä lisälaitteita.
5. Poista tuote pistorasiasta ukonilmojen aikaan tai kun sitä ei käytetä pitkään aikaan.
6. Akkukäyttöinen kaiutin, jossa on sisäinen tai vaihdettava akku on ladattavata vain siihen sopivalla laturilla. Laturi, joka käy tietyntylaisen akun lataamiseen saattaa aiheuttaa tulipalovaaran jos sitä käytetään toisenlaisen akun lataamiseen.
7. Akkukäyttöistä kaiutinta tulee käyttää vain siihen suunnitelluilla akkuilla. Vääränlaisen akkujen käyttäminen saattaa aiheuttaa tulipalovaaran.
8. Kun akut eivät ole käytössä, tulee ne suojata metalliesineiltä, kuten kolikoilta, avaimilta, ruuveilta, nautoilta tai muilta esineiltä, jotka voivat johtaa akun napojen oikosulkuun. Oikosulku saattaa aiheuttaa kipinöitä ja/tai tulipalovaaran.
9. Vältä koskettamasta maadoitettuja pintoja, kuten putkia, pattereita ja jääkaappeja. Sähköiskun vaara on suurempi jos ruumiisi on maadoitettu.
10. Kovan käsittelyn tuloksena akuista saattaa vuotaa nestettä, välttää ehdottomasti kosketusta nesteeseen kanssa. Jos nestettä päätyy iholle, huutele kohta välittömästi vedellä. Jos nestettä päätyy silmiin, ota välittömästi yhteys ensiapuun. Akuista mahdollisesti vuotava neste aiheuttaa ihon ärsytystä tai palovammoja.
11. Laitteen pääkytkin on pidettävä vapaana esteistä.

SÄÄSTÄ NÄMÄ OHJEET

YKSITYISKOHTAISET TURVALLISUUSOHJEET

AKKUPAKKAUKSELLE

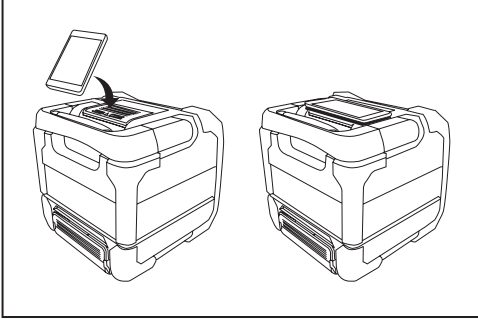
1. Lue kaikki ohjeet ennen akkupakkauksen käyttöä. Huomioi varoitusmerkinnät (1) laturissa, (2) akuissa ja (3) tuotteessa, johon akut käyvät.
2. Älä pura akkupakkausta.
3. Jos akkujen käyttöaika muuttuu erityisen lyhyeksi, lopeta niiden käyttö välittömästi. Käytön jatkaminen saattaa aiheuttaa ylikuumentumista ja mahdollisesti palovammoja tai räjähdysriskin.
4. Jos elektrolyyttiä päätyy silmiin, huutele ne vedellä ja ota yhteyttä ensiapuun välittömästi. Vaarana on jopa näkökyvyn menetys.
5. Älä päästä akun napoja oikosulkuun:
 - (1) Ikke la strømledende metaller komme i kontakt med terminalene.
 - (2) Unngå å oppbevare batterikassetten i beholdere med andre metallobjekter som spiker, mynter osv.
 - (3) Ikke utsett batteriet for vann eller regn. Kortslutning av batteriet kan føre til høy spenning, overoppheting, mulige brannskader og til og med sammenbrudd.
6. Älä säilytä akkupakkausta tai siihen kuuluvaa laitetta tiloissa, joissa lämpötila voi olla kuumpi kuin 50 °C (122°F).
7. Älä hävitä akkupakkausta tulesa vaikka se olisi täysin tyhjä. Akkupakkaus voi räjähtää tulesa. Varo akkupakkauksen pudottamista tai siihen 8. kohdistuvia kovia iskuja.
9. Älä käytä vahingoittunutta akkua.

Vinkkejä akkukeston maksimointiin:

1. Lataa akku ennen kuin se on täysin tyhjä. Lopeta akkuun liitetyn laitteen käyttö ja lataa akku heti kun huomaat, että laitteen teho on heikentynyt.
2. Älä lataa jo täyteen ladattua akkua. Ylilataus heikentää akun elinikää.
3. Lataa akku tilassa, jonka lämpötila on välillä 10 °C - 40 °C (50 °F - 104 °F). Anna kuumen akkun viilentyä ennen sen lataamista.
4. Lataa akku jos sitä ei ole käytetty pitkään aikaan (viimeiseen kuuteen kuukauteen).

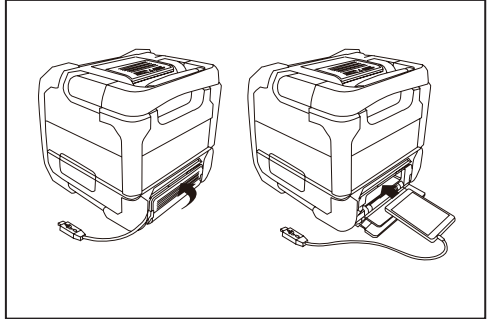
Kaavakuuvan selitys (kuva 1)

1. Akkulokero
2. Matkapuhelimen sijoituspaikka



3. Toisto- ja taukopainike
4. Seuraava kappale/eteenpäin kelaus
5. Äänenvoimakkuuden lisäspainike
6. Äänenvoimakkuuden vähennyspainike
7. AUX in -merkkivalo
8. Äänenvoimakkuuden maksimi- tai minimimerkkivalo/ akun alhaisen lataustason merkkivalo
9. Bluetooth-merkkivalo
10. Bluetooth-pariliitospainike
11. Virtapainike
12. Edellinen kappale/taaksepäin kelaus
13. Kaiutin
14. Kahva
15. DC in -pistoke
16. AUX in -pistoke

17. USB-latauspistoke
18. Kaapelireikä
19. Matkapuhelimen säilytyslokero



20. 14,4 V/18V -akkupaikka
21. 10,8V-12Vmaks. -akkupaikka
22. Akun kansi
23. Akkupakkaus
24. Painike
25. Matkapuhelimen säilytyslokeron kansi

Virta

Kaiutinta voi käyttää Makita-akkupakkauksilla tai suoraan normaalista virtapistokkeesta.

Käyttö akun kanssa

Alla oleva taulukko ilmaisee käyttöajan yhdellä latauksella.

Akkuka-pasiteetti	Akkupakkauksen volttimäärä			KAIUTTIMEN ULOSTULO=100mW/h (arviolta)			
	10,8V- 12Vmaks.	14,4V	18V	AUX IN	Bluetooth	AUX IN +USB(2,1A)	Bluetooth +USB(2,1A)
1,3Ah		BL1415	BL1815	7,5	7,0		1,0
1,5Ah	BL1015/ BL1016			12	11		1,0
		BL1415N		10	9,0		1,0
2,0Ah			BL1815N	9,5	9,0		1,5
	BL1020B/ BL1021B			15	14		1,0
3,0Ah			BL1820/ BL1820B	13	12		2,0
		BL1430/ BL1430B		16	15		2,0
4,0Ah			BL1830/ BL1830B	18	17		3,0
	BL1040B/ BL1041B			31	28		2,5
5,0Ah		BL1440		26	24		3,0
			BL1840/ BL1840B	25	24		4,0
6,0Ah		BL1450		31	29		3,5
			BL1850/ BL1850B	32	31		5,5
6,0Ah		BL1460B		34	32		4,0
			BL1860B	39	37		6,5

Akkupaketin asentaminen ja poistaminen (kuvat 3 ja 4)

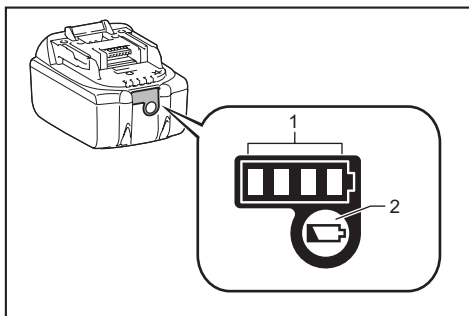
- Akkupaketin asennus: Sovita akkupaketin uloke lokeron vastaavaan ja työnnä paikalleen. Kun akkupaketti on kohdallaan, kuulet pienen naksahduksen.
- Jos näet punaisen merkkivalon painikkeen yläpuolella, akkupaketti ei ole täysin paikallaan. Aseta akkupaketti uudestaan niin, että merkkivalo ei enää pala. Jos akkupaketti ei ole asetettu paikalleen kunnolla, se voi pudota laitteesta ja aiheuttaa vammoja.
- Älä käytä liiallista voimaa asettaessasi akkupakettia laitteeseen. Jos se ei liu'uta paikalleen helposti, varmista, että olet asettamassa sitä oikein.
- Akkupaketin poisto: Paina akkupaketin etupuolella olevaa painiketta ja liu'uta se pois laitteesta.

Huomio:

Kun kaiuttimenvirta on vähissä, keskimääräinen LED-valovälkyypunaisena.

Jäljellä olevan varauksen merkkivalo

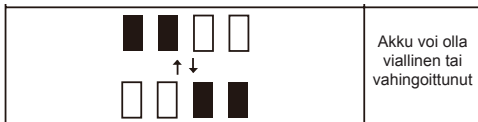
Vain akkupaketeissa, joiden mallinumero päättyy kirjaimen B



- 1. Merkkivalo 2. Tarkistuspainike

Paina tarkistuspainiketta akkupaketin kyljessä tarkistaaksesi jäljellä olevan varauksen. Merkkivalot syttyvät ilmaisemaan varautasoa muutamaksi sekunniksi.

Merkkivalot			Jäljellä oleva varautasoa
Palava	Pois	Vilkuttava	
■ ■ ■ ■	□ □ □ □	◐ ◐	75% - 100%
■ ■ ■ □	□ □ □ □	◐ ◐	50% - 75%
■ ■ □ □	□ □ □ □	◐ ◐	25% - 50%
■ □ □ □	□ □ □ □	◐ ◐	0% - 25%
◐ ◐ □ □	□ □ □ □	◐ ◐	Akku on ladattava



HUOMIO: Käyttöolosuhteiden ja ilman lämpötilan takia ilmaistu varautasoa voi poiketa hieman todellisesta varautasosta.

Käyttö virtalähteen kanssa (kuva 5)

Poista kumisuojaus ja kytke adapteri kaiuttimen oikealla puolella olevaan pistorasiaan. Kytke sitten adapteri verkkovirtalähteeseen. Kun adapteri on käytössä, akkupaketti kytkeytyy automaattisesti pois päältä. Kun laitetta ei käytetä, adapteri tulee irrottaa virtalähteestä.

TÄRKEÄÄ:

Verkkovirtaa käytettäessä pistorasia, sekä adapteri ja sen pistokkeet ovat pidettävä vapaana esteistä. Poista adapteri verkkovirtalähteestä varmistaaksesi, että kaiutin ei ole kytkettyä verkkovirtaan.

USB-port som strømkilde

USB-latausporttia voi käyttää lataamaan esimerkiksi matkapuhelinta tai mitä tahansa muuta laitetta, joka käyttää vähemmän kuin 2.1 A vaihtovirtaa.

Lataus toimii vain, kun kaiutin on päällä.

Huomio: Varmista, että lataamasi laite, esimerkiksi matkapuhelin, MP3-soitin tai iPod on yhteensopiva kaiuttimen kanssa. Lue laitteen käyttöopas ennen lataamista.

TÄRKEÄÄ:


- Varmuuskopioi USB-laitteen tiedot ennen sen kytkemistä kaiuttimen latausporttiin, muuten vaarana on tietojen menetys.
- Latausportti ei välttämättä ole yhteensopiva kaikkien USB-laitteiden kanssa.
- Kun latausporttia ei käytetä tai kun lataus on valmis, poista USB-kaapeli ja sulje virtalähteen kansi.
- Älä kytke toista virtalähdettä USB-porttiin, tämä aiheuttaa tulipalovaaran. Latausporttia saa käyttää vain alhaista virtaa tarvitsevien laitteiden kanssa. Sulje aina virtalähteen kansi kun sitä ei käytetä.
- Älä työnnä USB-latausporttiin metalliesineitä, kuten nauvoja tai johtoja. Tämä voi aiheuttaa oikosulun, joka aiheuttaa tulipalovaaran.
- Älä kytke USB-virtalähdettä tietokoneen USB-porttiin, tämä voi aiheuttaa molempien laitteiden hajoamisen.

Laitteen liittäminen kaiuttimeen

Ennen kuin voit toistaa musiikkia tai muuta sisältöä kaiuttimessa, sinun täytyy ensin luoda Bluetooth-pariliitos laitteesi ja kaiuttimen välillä. Pariliitos antaa molempien laitteiden tunnistaa toisensa.

Parhaan äänenlaadun varmistamiseksi Bluetooth-laitteesi äänenvoimakkuus tulisi olla asetettu riittävän korkealle (noin kaksi kolmasosaa maksimista tai enemmän), jonka jälkeen voit säätää sitä tarpeen mukaan kaiuttimesta.

Pariliitoksen luominen ja sisällön toistaminen ensimmäistä kertaa

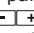
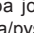




1. Käynnistä kaiutin virtapainikkeesta . Bluetooth-merkkivalo alkaa vilkkua sinisenä. Nopeasti vilkkuva valo tarkoittaa, että laite on löydettävissä.
2. Käynnistä laitteesi Bluetooth-toiminto sen käyttöohjeiden mukaisesti. Löydettyjen laitteiden listasta valitse 'DMR200'. Jotkut matkapuhelimet (joissa on Bluetooth 2.1:htä aiempi versio) saattavat pyytää sinua syöttämään PIN-koodin "0000".
3. Kun pariliitos on muodostettu, kaiuttimen Bluetooth-merkkivalo palaa sinisenä. Tämän jälkeen voit toistaa sisältöä laitteestasi. Äänenvoimakkuutta voi säätää joko laitteesta, tai suoraan kaiuttimesta.
4. Toistoa voi hallita joko laitteesta, tai kaiuttimen painikkeista.

Huomio:

1. Jos kaksi Bluetooth-laitetta etsivät toisia laitteita samaan aikaan, DMR200 näkyy saatavana molemmille laitteille, mutta jos toinen niistä muodostaa pariliitoksen kaiuttimeen, se ei enää näy saatavana muille laitteille.
2. Jos Bluetooth-pariliitos kaiuttimen ja toisen laitteen välillä katkeaa väliaikaisesti, liitos täytyy tehdä uudelleen manuaalisesti.
3. Jos 'DMR200' näkyy laitteesi Bluetooth-laitelystassa, mutta et voi muodostaa siihen yhteyttä, poista se listasta ja etsi sitä uudelleen ylhäällä olevien ohjeiden mukaisesti.
4. Bluetooth-yhteys toimii parhaiten noin 10 metrin säteellä (30 jalkaa) kaiuttimesta. Esteet kaiuttimen ja siihen liitetyn laitteen välillä voivat lyhentää yhteyden käytettävyyssaluetta.
5. Bluetooth-yhteyden laatu voi vaihdella kaiuttimeen yhdistetyn laitteen mukaan. Lue laitteesi käyttöohjeet ennen pariliitoksen muodostamista. Kaikki laitteet eivät välttämättä tue kaiuttimen kaikkia ominaisuuksia.

Musiikin toistaminen Bluetooth-yhteyden kautta

Kun olet muodostanut pariliitoksen kaiuttimen ja laitteesi välillä, voit toistaa musiikkia kaiuttimesta laitteeltasi.

1. Kun musiikin toisto on alkanut, voit säätää äänenvoimakkuutta sekä laitteeltasi, että kaiuttimesta. Kun painat kaiuttimen äänenvoimakkuuspainikkeita , äänenvoimakkuuden merkkivalo välähtää nopeasti punaisena. Jos merkkivalo palaa jatkuvasti, äänenvoimakkuus on joko maksimi- tai minimitasolla.
2. Voit hallita toistoa joko laitteeltasi tai kaiuttimesta seuraavasti: Toista/pysäytä () , Seuraava kappale () , Edellinen kappale () .
3. Pidä kaiuttimen Seuraava kappale  tai Edellinen kappale  -painikkeita painettuna kelataksesi kappaletta eteen- tai taaksepäin. Pysäytä kelaus vapauttamalla painike.

Huomio:

1. Kaikki laitteet eivät tue kaiuttimen kaikkia hallintapainikkeita.
2. Jotkut puhelimet voivat väliaikaisesti katkaista Bluetooth-pariliitoksen lähtevän tai saapuvan puhelun ajaksi. Jotkut puhelimet voivat väliaikaisesti vaimentaa äänentoiston voimakkuutta tekstiviesti-ilmoitusten

tai muiden toimintojen aikana. Nämä ovat laitteiden ominaisuuksia, eivätkä tarkoita, että kaiutin olisi viallinen.

Kaiuttimen muisti ja laitteiden uudelleenliittäminen

Kaiuttimesimuistaa enimmillään 8 liitettyä laitetta. Kun liität uuden laitteen kun muisti on täynnä, kaiutin unohtaa vanhimman pariliitoksen. Jos olet tehnyt pariliitoksen kaiuttimen ja laitteesi välillä aiemmin, kaiutin muistaa laitteesi ja yrittää yhdistää siihen automaattisesti. Jos muistissa olevia laitteita ei löydy tai niihin ei saada yhteyttä, kaiutin on näkyvissä kaikille Bluetooth-laitteille.

Bluetooth-yhteyden katkaiseminen

KPidä Bluetooth-painiketta  alhaalla 2-3 sekuntia. Bluetooth-merkkivalo välkkyi sinisenä sen merkiksi, että kaiutin on valmiina pariliitokseen.

Musiikin toisto AUX in -liitännän kautta

Kaiuttimen oikealla puolella on 3,5 mm:n AUX in -liitäntä jonka kautta voi toistaa sisältöä laitteista, joissa on vastaava ulostuloliitäntä, kuten esimerkiksi iPod, MP3-soitin tai CD-soitin.

1. Yhdistä stereo- tai monoulostulolaite (esim. iPod, MP3-soitin tai CD-soitin) kaiuttimen AUX in -liitäntään. AUX in -merkkivalo palaa vihreänä kun laite on liitetty.
2. Säädä ulostulolaitteen äänenvoimakkuus sopivalle tasolle ja säädä sitten äänenvoimakkuutta kaiuttimesta.
3. Parhaan äänenlaadun varmistamiseksi Audio-laitteesi äänenvoimakkuus tulisi olla asetettu riittävän korkealle (noin kaksi kolmasosaa maksimista tai enemmän), jonka jälkeen voit säätää sitä tarpeen mukaan kaiuttimesta.

Huomio:

Kun AUX in -liitäntä on käytössä, kaiuttimen Bluetooth-ominaisuus kytkeytyy pois päältä virrankulutuksen vähentämiseksi.

HUOLTO

⚠ VAROITUS:

- Älä koskaan käytä kaiuttimen puhdistamiseen liuottimia kuten bensiiniä, tinneriä, tärpättä tai alkoholia. Tämä voi aiheuttaa värimuutoksia, vääntymisiä tai halkeamia.

Tekniset tiedot

Vahvistin

Ulostulo	18V:10W 14,4V:6W 10,8V:3,5W
Taajuus	50Hz~20kHz

AUX in

Sisääntuloherkkyys 250mVrms @100Hz

Kaiutin

Pääkaiutin	101,6mm 8 ohm 10W
Oheiskaiutin	36mm 8ohm 10W

Bluetooth

Bluetooth-versio	4.0
Bluetooth-profiilit	A2DP/SCMS-T/AVRCP
Lähetysteho	Bluetooth-määritelmän mukainen Class 2
Lähetysetäisyys	Maks. 10m (riippuu käyttöolosuhteista)
Tuettu koodekki	SBC
Yhteensopiva	A2DP
Bluetooth-profiili	
Radiotaajuuksien maksimitehot: BT EDR: 3,84 dBm / BT LE: 3,46 dBm	

Yleinen

Verkkovirta-adapteri	DC 12V 1.5A, keskimmäinen liitinpositiivinen
Akkupakkaus	10,8V-12Vmaks./14,4 V/18 V
Paino	2,7kg (ilman akkua)

Valmistaja varaa oikeuden muuttaa teknisiä tietoja ilman erillistä ilmoitusta.

Русский (перевод оригинальной инструкции)

Символы

Ниже приводятся символы, используемые в оборудовании. Убедитесь, что Вы понимаете их значение, прежде чем приступить к использованию.



Прочитайте руководство по использованию.



Только для стран ЕС

Не выбрасывайте электрооборудование или аккумуляторы вместе с бытовым мусором!

В соответствии с европейскими директивами об утилизации электрического и электронного оборудования, о батареях и аккумуляторах, а также использованных батареях и аккумуляторах и их применении в соответствии с местными законами электрооборудование, батареи и аккумуляторы, срок эксплуатации которых истек, должны утилизироваться отдельно и передаваться для утилизации на предприятие, соответствующее применяемым правилам охраны окружающей среды.

ВАЖНЫЕ ИНСТРУКЦИИ БЕЗОПАСНОСТИ

⚠ ПРЕДОСТЕРЕЖЕНИЕ:

При работе с электрическим оборудованием следует соблюдать общепринятые правила безопасности, чтобы предотвратить риск возникновения пожара, электрического шока и травм. Для этого следует:

1. Внимательно прочитайте данное руководство, а также инструкцию к зарядному устройству, прежде чем приступить к их использованию.
2. Для чистки использовать только сухую тряпку.
3. Не устанавливать оборудование возле таких источников тепла, как, например, радиаторы, обогреватели, печи или др. устройства (включая усилители).
4. Используйте только те приспособления/аксессуары, которые рекомендованы производителем.
5. Отключайте данное оборудование от сети во время грозы или если Вы не планируете его использовать длительное время.
6. Встроенные или вставляющиеся батареи следует заряжать только с помощью указанного зарядного устройства. Зарядное устройство, которое подходит для одного типа батарей, может стать причиной возникновения пожара для другого типа батарей.
7. Для динамика, работающего на батареях, используйте только специально разработанные для него батареи. Использование любых других батарей может стать причиной пожара.
8. Если вы не используете батареи, храните их вдали от изделий из металла, например: скрепки, монеты, ключи, гвозди, винты или др. мелкие металлические предметы, которые могут замкнуть контакты батарей. Короткое замыкание в контактах батареи может вызвать искру и стать причиной возгорания или пожара.

9. Избегайте контакта тела с заземлёнными поверхностями, такими как трубы, радиаторы, плиты и холодильники, поскольку существует повышенный риск поражения электрическим током, если ваше тело заземлено.
10. При неправильном обращении батарея может потечь. Избегайте контакта с жидкостью из батареи. При случайном попадании электролита на кожу смойте его водой. Если жидкость попала в глаза, немедленно обратитесь за медицинской помощью. Жидкость из батареи может вызвать раздражение или ожоги.
11. СЕТЕВОЙ штепсель используется для отключения от сети, а потому он должен оставаться легко доступным.

СОХРАНИТЕ ДАННОЕ РУКОВОДСТВО

СПЕЦИАЛЬНЫЕ ПРАВИЛА БЕЗОПАСНОСТИ

ДЛЯ АККУМУЛЯТОРНОГО КАРТРИДЖА

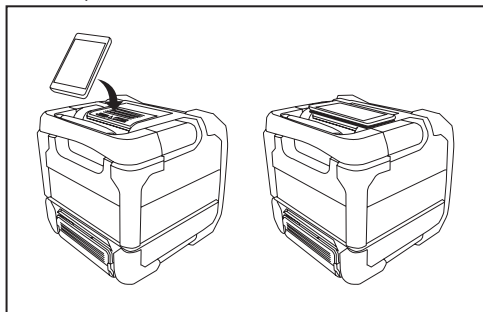
1. Прежде чем приступить к работе с аккумуляторным картриджом, прочитайте все инструкции и предупреждающие замечания, касающиеся (1) зарядного устройства для батареи, (2) батареи (3) оборудования, работающего на батареях.
2. Не разбирайте батареи и аккумуляторы.
3. Если срок работы батареи значительно сократился, немедленно прекратите работу, поскольку это может вызвать перегрев, возгорание и даже взрыв.
4. Если Вам в глаза попал электролит, немедленно промойте их чистой водой и сразу же обратитесь за медицинской помощью. В противном случае Вы можете потерять зрение.
5. Не допускайте замыкания контактов батареи, а именно:
 - (1) Не прикасайтесь к контактам никакими материалами, проводящими ток.
 - (2) Не храните батареи в контейнерах, где присутствуют другие металлические предметы, например, гвозди, монеты и др.
 - (3) Не допускайте попадания на батарею влаги и воды. Это может привести к замыканию батареи, результатом чего может стать перенапряжение, перенагревание, возгорание или поломка.
6. Не храните оборудование и батареи в местах, где температура может достигать или превышать 50°C (122°F).
7. Не бросайте батареи в огонь, даже если они сильно повреждены или полностью изношены, поскольку в огне батареи могут взорваться.
8. Не роняйте батареи и не подвергайте их механическим воздействиям и ударам.
9. Не используйте повреждённые батареи.

Советы по обеспечению максимального срока службы батарей

1. Заряжайте батарею до того, как она полностью разрядилась. Как только Вы заметите, что оборудование работает с меньшей мощностью, остановите работу и поставьте батарею на зарядку.
2. Не ставьте на подзарядку батарею, которая была полностью заряжена. Перезарядка сокращает срок службы батареи.
3. Подзаряжайте батареи в помещениях при температуре от 10° C до 40° C (50° F - 104° F). Если батарея нагрелась, остудите её, прежде чем ставить на подзарядку.
4. Подзаряжайте батарейки время от времени, если вы не используете оборудование длительное время (более чем шесть месяцев).

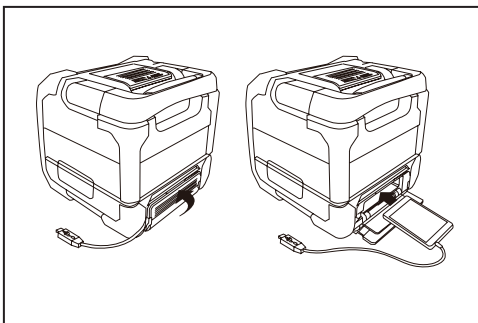
Пояснения к общему виду (рис. 1)

1. Отсек для батареи
2. Панель для размещения мобильного (сотового) телефона



3. Кнопка Воспроизведение/Пауза
4. Кнопка Следующий трэк /Перемотка вперёд
5. Кнопка усиления громкости
6. Кнопка уменьшения громкости
7. Индикатор Aux in
8. Индикатор макс. или миним. громкости/Индикатор низкой зарядки батареи
9. Индикатор блютуза
10. Кнопка спаривания блютуза
11. Кнопка питания
12. Кнопка Следующий трэк/Перемотка назад
13. Динамик
14. Ручка
15. Гнездо питания DC
16. Дополнительное гнездо входа

17. Гнездо USB-зарядки
18. Гнездо для кабеля
19. Отсек для хранения мобильного (сотового) телефона



20. Терминал для батарей 14,4 В/18В
21. Терминал для батареи 10,8В-12Вмакс.
22. Крышка отсека
23. Аккумуляторный картридж
24. Кнопка
25. Крышка отсека для хранения мобильного телефона

Питание

Динамик может работать на батарее Makita или от стандартной электрической розетки.

Питание от батареи

В следующей таблице приводится время работы после зарядки.

Ёмкость батареи	Напряжение батареи			НА ВЫХОДЕ ДИНАМИКА = 100мВт (ед-ца: час) (примерно)			
	10,8В-12В макс	14,4В	18В	AUX IN	Блютуз	AUX IN +USB(2,1A)	Блютуз +USB(2,1A)
1,3Ah		BL1415	BL1815	7,5	7,0		1,0
1,5Ah	BL1015/ BL1016			12	11		1,0
		BL1415N		10	9,0		1,0
2,0Ah			BL1815N	9,5	9,0		1,5
	BL1020В/ BL1021В			15	14		1,0
3,0Ah			BL1820/ BL1820В	13	12		2,0
		BL1430/ BL1430В		16	15		2,0
4,0Ah			BL1830/ BL1830В	18	17		3,0
	BL1040В/ BL1041В			31	28		2,5
5,0Ah		BL1440		26	24		3,0
			BL1840/ BL1840В	25	24		4,0
6,0Ah		BL1450		31	29		3,5
			BL1850/ BL1850В	32	31		5,5
6,0Ah		BL1460В		34	32		4,0
			BL1860В	39	37		6,5

Установка или извлечение батареи (рис. 3 и 4)

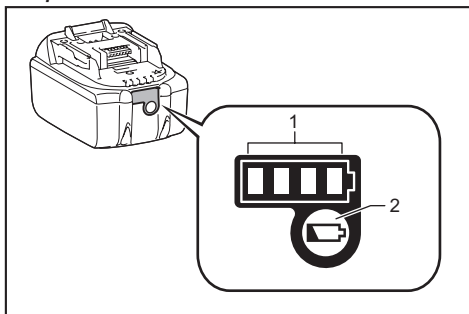
- Чтобы вставить батарею, совместите выступ на батарее с канавкой на корпусе и втолкните батарею до конца. При этом Вы услышите характерный щелчок.
- Если в верхней части кнопки горит красный индикатор, значит батарея не вставлена до конца. Вставьте её правильно, чтобы красный индикатор больше не горел, иначе это может вызвать поломку оборудования, а также травмировать Вас или кого-нибудь другого.
- Не прикладывайте усилий, вставляя батарею. Если у Вас не получается втолкнуть батарею, значит Вы делаете это неправильно.
- Чтобы извлечь батарею, следует нажать на кнопку в передней части, одновременно выталкивая её из устройства.

Примечание:

Когда уровень заряда батареи динамика низкий, средний светодиодный индикатор будет мигать красным цветом.

Отображение оставшегося заряда батареи

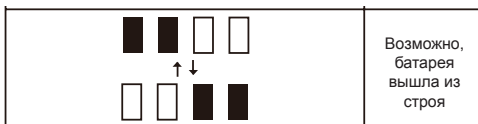
Только для батарей с маркировкой "B" в конце номера модели



- 1. Лампочки индикаторов 2. Кнопка контроля

Нажмите на кнопку контроля на аккумуляторном картридже, чтобы увидеть оставшийся заряд. Лампочки индикаторов загорятся на несколько секунд.

Лампочки индикаторов			Оставшийся заряд
Горит	Выкл	Мигает	
■	□	▨	От 75% до 100%
■	■	□	От 50% до 75%
■	□	□	От 25% до 50%
■	□	□	От 0% до 25%
▨	□	□	Зарядите батарею



ПРИМЕЧАНИЕ: В зависимости от условий использования и температуры окружающей среды показания могут немного отличаться от фактической ёмкости батареи.

Использование входящего в комплект адаптера питания AC (рис. 5)

Удалите резиновую прокладку и вставьте штекер адаптера в гнездо DC справа на корпусе динамика. Подключите адаптер к стандартной электрической розетке. Если используется адаптер, батарея автоматически отключается. Если Вы не используете адаптер, его следует отключить от розетки.

ВАЖНО:

Сетевой адаптер используется для подключения динамика к сети. Сетевой штепсель динамика должен оставаться доступным в течение всего времени обычного использования. Для того, чтобы отключить динамик от сети, сетевой адаптер следует вытащить из розетки.

USB-гнездо питания

Данное гнездо можно использовать для зарядки мобильного телефона или какого-либо другого устройства, которому требуется ток меньше, чем 2,1А. Зарядка возможна только в том случае, если динамик включён.

Примечание: Убедитесь, что спецификации Вашего внешнего устройства, например, мобильного телефона, MP3-плеера или iPod, совместимы с Вашим динамиком. Прежде чем приступать к зарядке, прочитайте руководство по использованию Вашего внешнего устройства.

ВАЖНО:


- Прежде чем ставить USB-устройство на зарядку, на всякий случай сохраните имеющуюся на нём информацию на другом носителе, чтобы не потерять её.
- Для некоторых USB-устройств зарядка может не подавать энергию.
- По завершении зарядки или если Вы не используете данную функцию отсоедините USB-кабель и закройте крышку.
- Не подключайте к USB-порту источник питания, это может вызвать возгорание. USB-порт предназначен только для подзарядки устройств с низким напряжением.
- Всегда закрывайте USB-порт крышкой, если не подзаряжаете никаких устройств с низким напряжением.
- Не вставляйте в USB-порт посторонних предметов, таких, как гвозди, провода и т. п. Это может вызвать короткое замыкание и привести к возгоранию.
- Не подключайте гнездо USB Вашего динамика к USB-порту компьютера, это может вывести из строя оба устройства.

Спаривание и соединение устройства с динамиком

Следует выполнить спаривание Вашего Bluetooth-устройства с DMR200, прежде чем Вы сможете выводить музыку для воспроизведения через Bluetooth Вашего динамика. В результате спаривания возникает "связь" между двумя устройствами, и они могут "узнавать" друг друга.

Для обеспечения лучшего качества звука рекомендуем установить уровень звука на Вашем Bluetooth-устройстве на две трети сильнее, а затем отрегулировать громкость на динамике по своему желанию.

Первоначальное спаривание Bluetooth-устройства и последующее воспроизведение

1. Нажмите кнопку Питания , чтобы включить динамик, индикатор Bluetooth начнет мигать синим цветом. Синий индикатор мигает с большой скоростью, когда динамик обнаружен.
2. Активируйте Bluetooth в Вашем устройстве в соответствии с указаниями руководства по использованию, чтобы соединить его с динамиком. В списке Bluetooth-устройств выберите устройство под названием 'DMR200.' Для некоторых мобильных телефонов (в которых стоит более ранняя версия Bluetooth, чем BT2.1), Вам может понадобиться ввести пароль "0000".
3. Как только связь установлена, раздается гудок и голубой индикатор будет непрерывно гореть. После этого Вы сможете просто выбирать музыку для воспроизведения из исходного устройства. Регулировать громкость можно как на исходном устройстве, так и непосредственно на динамике.
4. Используйте элементы управления на вашем устройстве с активированным Bluetooth или на динамике, чтобы включить воспроизведение/паузу или для навигации.

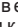










Примечание:

1. Если выполнить первое спаривание 2-х Bluetooth-устройств, оба эти устройства обнаружат DMR200, который покажет свою доступность на обоих устройствах. При этом, если соединить одно устройство с данным оборудованием, то второе Bluetooth-устройство исчезнет из списка.
2. Если Bluetooth-устройство было временно отключено в Вашем динамике, то Вам понадобится снова выполнить подключение устройства вручную.
3. Если "DMR200" есть в списке Bluetooth-устройств, но при этом устройство не может соединиться с ним, пожалуйста, удалите его из Вашего списка и выполните спаривание устройства с динамиком ещё раз, следуя пунктам выше.
4. Эффективная дальность действия между системой и сопряжённым устройством составляет около 10 метров (30 футов). Любое препятствие между системой и устройством может уменьшить рабочий диапазон.
5. Результативность Bluetooth-подключения может различаться в зависимости от того или иного Bluetooth-устройства. Перед подключением к динамику, пожалуйста, проверьте возможности Вашего Bluetooth-устройства. На некоторых устройствах поддерживаются не все функции.

Воспроизведение аудиофайлов в режиме Bluetooth

После того как Вы успешно соединили свой динамик

с выбранным Bluetooth-устройством, Вы можете начать воспроизведение музыки с помощью кнопок управления на подключённом Bluetooth-устройстве.

1. Как только воспроизведение началось, отрегулируйте громкость с помощью соответствующих кнопок   на динамике или на Вашем активированном Bluetooth-устройстве. Если Вы нажимаете на кнопки Усилить громкость/ Уменьшить громкость, красный индикатор громкости будет быстро мигать. Если красный индикатор горит непрерывно, это значит, что громкость установлена на максимальный или минимальный уровень.
2. Используйте кнопки управления на Вашем устройстве, чтобы включать воспроизведение/паузу и поиск трэков. Кроме этого управлять воспроизведением можно с помощью кнопок на динамике Воспроизведение/Пауза ( ), Следующий трэк ( ), Предыдущий трэк ( ).
3. Нажмите и удерживайте кнопку Следующий трэк  или Предыдущий трэк  , чтобы включить быструю перемотку данного трэка вперёд/назад. Отпустите кнопку, когда Вы достигнете нужного момента.


Примечание:

1. Не все приложения или устройства реагируют на данные команды.
2. Некоторые мобильные телефоны могут временно отключиться от динамика, когда Вы звоните или отвечаете на звонки. Некоторые устройства могут временно отключать звук Bluetooth-аудио, когда приходит текстовое сообщение, электронное письмо или по другим причинам, не связанным с воспроизведением аудио. Данный факт является особенностью подключённого устройства и не указывает на неисправность Вашего динамика.

Память динамиков и повторное соединение устройства

Ваш динамик может запомнить до 8 устройств, которые были с ним спарованы. Когда достигается это количество, старейшая запись удаляется из памяти и на её место делается новая запись. Если Ваше Bluetooth-устройство уже было ранее спаровано с динамиком, он запомнит Ваше Bluetooth-устройство и попытается снова соединиться с устройством в соответствии с записью предыдущего соединения в своей памяти. Если же запись последнего подключения устройства больше не доступна, динамик будет готов к поиску устройства.

Отсоединение вашего Bluetooth-устройства

Нажмите и удерживайте кнопку Bluetooth-спаривания  в течение 2-3 секунд, чтобы отсоединить Bluetooth-устройство. Синий индикатор Bluetooth мигает, показывая, что динамик снова готов к спариванию.

Воспроизведение музыки с помощью вспомогательного гнезда

На правой стороне динамика расположен 3,5 мм разъём дополнительного входа, что позволяет воспроизводить звуковой сигнал, подаваемый на динамик с любых устройств, которые имеют наушники или аудио выход, таких как iPod, MP3 или CD-плеер.

1. Подключите стерео- или моноустройство (например, iPod, MP3 или CD-плеер) к вспомогательному гнезду (с маркировкой 'AUX'). Зелёный индикатор показывает, что динамик находится в режиме вспомогательного входа.

- Отрегулируйте достаточный уровень громкости на своём iPod, MP3 или CD-плеере, а затем подстройте по своему желанию громкость на динамике.
- Для обеспечения лучшего качества звука рекомендуем установить уровень звука на Вашем Аудио-устройстве на две трети сильнее, а затем отрегулировать громкость на динамике по своему желанию.

Примечание:

Если к гнезду Aux подключено аудио-устройство, блютуз-функция будет отключена, чтобы уменьшить потребление энергии.

ОБСЛУЖИВАНИЕ

⚠ ПРЕДОСТЕРЕЖЕНИЕ:

- Никогда не используйте для очистки бензин, бензол, растворитель, спирт и т. п. Это может привести к изменению цвета, деформации или появлению трещин.

Спецификации

Усилитель

Мощность на выходе	18В:10Вт 14,4В:6 Вт 10,8В:3,5 Вт
Диапазон частот	50Гц~20кГц

Вход Aux

Входная чувствительность	250mVrms @100Гц
--------------------------	-----------------

Динамик

Главный динамик	101,6 мм 8 ohm 10Вт
Высокочастотный динамик	36 мм 8 ohm 10Вт

Блютуз

Версия блютуза	4.0
Профили блютуза	A2DP/SCMS-T/AVRCP
Передача мощности	Спецификации мощности блютуза класса 2
Диапазон передачи	Макс. 10 м (может меняться в зависимости от условий)
Поддерживаемый кодек	SBC
Совместимый профиль блютуза	A2DP
Максимальная мощность радиочастоты:	BT EDR: 3,84 дБм / BT LE: 3,46 дБм

Общие

Адаптер питания AC	DC 12В 1,5А, центральный положительный контакт
Используемая батарея:	10,8В-12Вмакс/14,4 В/18 В
Вес	2,7kg (без батареи)

Компания оставляет за собой право вносить изменения в спецификацию без предварительного уведомления.

LATVIEŠU (Oriģinālās instrukcijas)

Simboli

Te ir norādīti simboli, kas izmantoti šai ierīcei.

Pirms lietot ierīci, pārliecinieties, ka saprotat to nozīmi.



Izlasiet instrukciju rokasgrāmatu.

Tikai ES valstīm

Neizmest elektrisko atlikumu vai akumulatoru sadzīves atkritumos!

Saskaņā ar Eiropas direktīvu par elektrisko un elektronisko iekārtu atkritumiem, kā arī par baterijām un akumulatoriem, un bateriju un akumulatoru atkritumiem un to īstenošanu saskaņā ar valsts likumdošanu lietotais elektriskais atlikojums, baterijas un akumulators kalpošanas laika beigās jāsavāc atsevišķi un jānogādā atbilstošai pārstrādei vidi saudzējošā veidā.



SVARĪGI DROŠĪBAS NOTEIKUMI INSTRUKCIJAS

⚠ BRĪDINĀJUMS:

Kad izmantojat elektroinstrumentus, obligāti jāievēro pamata drošības tehnikas noteikumi, lai samazinātu ugunsgrēku, elektriskā trieciena un personisko traumu risku, ieskaitot:

1. Pirms lietošanas uzmanīgi izlasiet šo instrukciju rokasgrāmatu un lādētāja instrukciju rokasgrāmatu.
2. Tīriet tikai ar sausu drānu.
3. Neuzstādiēt siltuma avotu, piemēram, radiatoru, siltuma reģistratoru, krāšņu vai citu siltumu ražojošu ierīci (ieskaitot pastiprinātājus) tuvumā.
4. Izmantojiet tikai papildinājumus/piederumus, kurus ir norādījis ražotājs.
5. Atvienojiet šo ierīci no barošanas pērkona negaisa laikā vai, ja tā ilgstoši netiek lietota.
6. Akumulatora skaļruni ar iebūvētām baterijām vai atsevišķu akumulatora bloku drīkst uzlādēt tikai ar akumulatoram paredzētu lādētāju. Lādētājs, kas piemērots vienam akumulatoram, var izraisīt uzliesmošanas riskus, izmantojot ar citu akumulatoru.
7. Izmantojiet akumulatora skaļruni tikai ar tam paredzēto akumulatoru. Citu akumulatoru izmantošana var izraisīt uzliesmošanu.
8. Kad akumulators netiek izmantots, turiet to atstatu no citiem metāla priekšmetiem, piemēram, papīra skavām, monētām, atslēgām, naglām, skrūvēm vai citiem maziem metāla priekšmetiem, kas var izraisīt savienojumu starp spailēm. Saslēdzot akumulatora spaiļes kopā, var rasties dzirksteles, apdegumi vai liesmas.
9. Izvairieties no ķermeņa saskares ar saņemtām virsmām, piemēram, caurulēm, radiatoriem un ledusskapjiem. Pastāv palielināts elektriskā trieciens risks, ja jūsu ķermenis ir saņemts.
10. Nelabvēlīgos apstākļos no akumulatora var izlīst šķidrums, izvairieties no saskares. Ja saskare nejauši notiek, noskalojiet ar ūdeni. Ja šķidrums nonāk saskarē ar acīm, papildus vērsieties pēc medicīniskās palīdzības. No akumulatora izlijušais šķidrums var izraisīt kairinājumu un apdegumus.

11. BAROŠANAS spraudnis tiek izmantots kā atvienošanas ierīce, un tam jābūt pastāvīgi pieejamam lietošanai.

SAGLABĀJIET ŠĪS INSTRUKCIJAS

SPECIFISKIE DROŠĪBAS NOTEIKUMI

AKUMULATORA KARTRIDŽAM

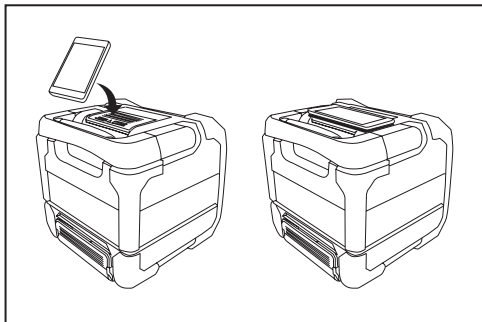
1. Pirms izmantot akumulatora kartridžu, izlasiet visas instrukcijas un brīdinošos marķējumus uz (1) akumulatora lādētāja, (2) akumulatora un (3) izstrādājuma, kur akumulators tiek izmantots.
2. Nedemontējiet akumulatora kartridžu.
3. Ja darbības laiks ir kļuvis pārāk īss, nekavējoties apturiet darbību. Tas var izraisīt pārkaršanu, apdegumu un pat sprādzienbīstamību.
4. Ja elektrolīts nokļūst jūsu acīs, izskalojiet tās ar tīru ūdeni un nekavējoties vērsieties pēc medicīniskās palīdzības. Tas var izraisīt redzes zudumu.
5. Nesaslēdziet akumulatora kartridžu īsslēgumā.
(1) Nepieskarieties spailēm ar vadošu materiālu.
(2) Izvairieties no akumulatora kartridža glabāšanas telpā ar citiem metāla priekšmetiem, piemēram, naglām, monētām utt.
(3) Nepakļaujiet akumulatora kartridžu ūdens vai lietus iedarbībai. Akumulatora īssavienojums var izraisīt lielu strāvas plūsmu, pārkaršanu, potenciālus apdegumus un pat salūšanu.
6. Neglabājiet instrumentu un akumulatora kartridžu vietās, kuru temperatūra var sasniegt vai pārsniegt 50 °C (122°F)
7. Nesadedziniet akumulatora kartridžu pat tad, ja tas ir smagi bojāts vai pilnībā izdilis. Akumulatora kasetne var uzspriegt uguni.
8. Uzmanieties, nenometiet un neradiet akumulatoram triecienus.
9. Neizmantojiet bojātu akumulatoru.

Padomi akumulatora kalpošanas laika maksimālai paildzināšanai

1. Uzlādējiet akumulatora kartridžu, pirms tas ir pilnībā izlādējies. Obligāti apturiet instrumenta darbību un uzlādējiet akumulatora kartridžu, kad pamanāt, ka instrumentam nepietiek jaudas.
2. Nekādā gadījumā neuzlādējiet pilnībā uzlādējušos akumulatoru. Pārlieta uzlāde saīsina akumulatora kalpošanas laiku.
3. Uzlādējiet akumulatora kartridžu istabas temperatūrā 10 °C - 40 °C (50 °F - 104 °F). Ļaujiet karstam akumulatora kartridžam atdzist, pirms uzlādēt to.
4. Uzlādējiet akumulatora kartridžu, ja ilgstoši neizmantojat to (vairāk nekā sešus mēnešus).

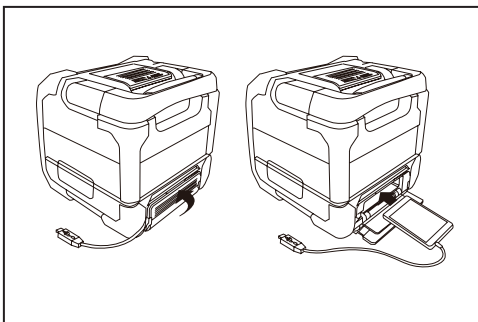
Kopskata skaidrojums (1. att.)

1. Akumulatora nodalījuma aizslēgš
2. Mobilā tālruņa novietošanas panelis



3. Poga Atskaņošana/pauze
4. Poga Nākamais ieraksts/ātrā pārtīšana
5. Poga Skajāk
6. Poga Klusāk
7. Ārējā ievada indikators
8. Maks. vai min. skaļuma indikators/akumulators sēšanās indikators
9. Bluetooth indikators
10. Bluetooth pārošanas poga
11. Barošanas poga
12. Poga Iepriekšējais ieraksts/ātrā attīšana
13. Skaļrunis
14. Rokturis
15. Līdzstrāvas ieejas ligzda
16. Ārējā ievada ligzda

17. USB uzlādes ligzda
18. Kabeļa atvere
19. Mobilā tālruņa glabāšanas nodalījums



20. 14,4 V/18 V akumulatora spaiļe
21. 10,8V-12Vmaks. akumulatora spaiļe
22. Akumulatora pārsegš
23. Akumulatora kartridžš
24. Poga
25. Mobilās atmiņas nodalījuma pārsegš

Barošana

Skaļruni var barot no Makita akumulatoriem vai standarta sienas kontaktligzdās.

Barošana no akumulatora

Šajā tabulā ir parādīts darbības laiks no viena uzlādes cikla.

Akumulatora kapacitāte	Akumulatora kartridža spriegums			PIE SKAĻRUNĀ IZVADA = 100mW (vienība: stundā) (Aptuveni)			
	10,8V-12Vmaks.	14,4V	18V	ĀRĒJAIS IEVADS	Bluetooth	ĀRĒJAIS IEVADS +USB(2,1A)	Bluetooth +USB(2,1A)
1,3Ah		BL1415	BL1815	7,5	7,0	1,0	
1,5Ah	BL1015/ BL1016			12	11	1,0	
		BL1415N		10	9,0	1,0	
2,0Ah			BL1815N	9,5	9,0	1,5	
	BL1020B/ BL1021B			15	14	1,0	
3,0Ah			BL1820/ BL1820B	13	12	2,0	
		BL1430/ BL1430B		16	15	2,0	
4,0Ah			BL1830/ BL1830B	18	17	3,0	
	BL1040B/ BL1041B			31	28	2,5	
5,0Ah		BL1440		26	24	3,0	
			BL1840/ BL1840B	25	24	4,0	
6,0Ah		BL1450		31	29	3,5	
			BL1850/ BL1850B	32	31	5,5	
6,0Ah		BL1460B		34	32	4,0	
			BL1860B	39	37	6,5	

Slidināmā akumulatora kartridža uzstādīšana vai izņemšana (3. un 4. att.)

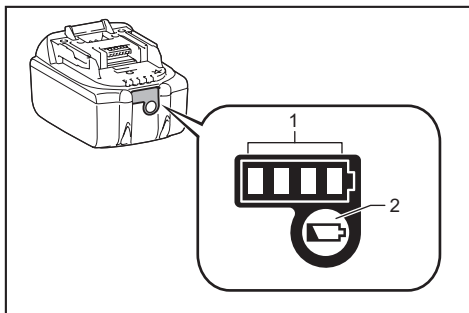
- Lai uzstādītu akumulatora kartridžu, salāgojiet mēlīti uz akumulatora kartridža ar gropi korpusā un ieslidiniet to vietā. Vienmēr ievietojiet to līdz galam, līdz tas ar nelielu klikšķi nofiksējas vietā.
- Ja varat redzēt sarkano indikatoru pogas augšpusē, tā nav pilnībā nofiksējusies. Ievietojiet to pilnībā, līdz sarkano indikatoru nevar redzēt. Ja tas netiek izdarīts, tas var nejauši izkrist no instrumenta, izraisot traumas jums vai tuvumā esošajiem.
- Neievietojiet akumulatora kartridžu ar spēku. Ja kartridžs neieslīd viegli, tas netiek ievietots pareizi.
- Lai izņemtu akumulatora kartridžu, ievietojiet to no instrumenta, kamēr tiek turēta nospiesta poga kartridža priekšā.

Piezīme:

Ja runātājs ir zems bateriju, vidū LED mirgos sarkanā krāsā.

Norāda atlikušo akumulatora kapacitāti

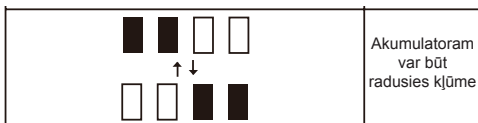
Tikai akumulatoru kartridžiem ar "B" modeļa numura beigās



- 1. Indikatora lampiņas 2. Pārbaudes poga

Nospiediet pārbaudes pogu uz akumulatora kartridža, lai parādītu atlikušo akumulatora kapacitāti. Indikatora lampiņas iedegas uz dažām sekundēm.

Indikatora lampiņas			Atlikusī kapacitāte
Deg	Nedeg	Mirgo	
■	■	■	75% līdz 100%
■	■	□	50% līdz 75%
■	□	□	25% līdz 50%
■	□	□	0% līdz 25%
◐	□	□	Uzlādējiet akumulatoru



Akumulatoram var būt radusies kļūme

PIEZĪME: Atkarībā no lietošanas apstākļiem un vides temperatūras, indikācija var mazliet atšķirties no reālās kapacitātes.

Komplektā iekļautā maiņstrāvas adaptera lietošana (5. att.)

Izņemiet gumijas aizsargu un ievietojiet adaptera spraudni līdzstrāvas ligzdā skaļruņa labajā pusē. Iespraudiet adapteri standarta barošanas kontaktligzdā. Tiklīdz adapteris tiek lietots, akumulators automātiski tiek atvienots. Maiņstrāvas adapteri jāatvieno no barošanas kontaktligzdas, kamēr to nelieto.

SVARĪGI:

Barošanas adapteri izmanto, lai pievienotu skaļruni elektroītkla barošanai. Barošanas kontaktligzdai, ko izmanto skaļrunim, normālas lietošanas laikā jāpaliek pieejamai. Lai pilnībā atvienotu skaļruni no elektroītkla, barošanas adapterim jābūt pilnībā atvienotam no barošanas kontaktligzdas.

USB barošanas ligzda

Šo ligzdu var izmantot, lai lādētu mobilo tālruni vai jebkuru citu ierīci, kas izmanto līdzstrāvu, kas nepārsniedz 2,1 A. Lādēšana notiek tikai tad, kad skaļrunis ir ieslēgts.

Piezīme: Pārliecinieties, ka jūsu ārējās ierīces, piemēram, mobilā tālruņa, mp3 atskaņotāja vai iPod, specifikācijas atbilst skaļrunim. Lūdzu, izlasiet savas ārējās ierīces instrukciju rokasgrāmatu, pirms veikt uzlādi.

SVARĪGI:


- Pirms pievienot USB ierīci lādētājam, vienmēr veiciet USB ierīcē esošo datu dublēšanu. Citādi pastāv iespēja zaudēt savus datus.
- Lādētājs dažām USB ierīcēm var nenodrošināt barošanu.
- Kamēr nelietojat ierīci, vai pēc uzlādes atvienojiet USB kabeli un aizveriet pārsegu.
- Nepievienojiet barošanas avotu USB portam. Citādi pastāv uzliesmošanas risks. USB ir paredzēts tikai zemāka sprieguma ierīces lādēšanai. Vienmēr novietojiet pārsegu uz USB porta, kamēr nelādējat zema sprieguma ierīci.
- Neievietojiet naglas, vadus utt. USB barošanas portā. Citādi ķēdes īssavienojums var izraisīt dūmus un uzliesmošanu.
- Nesavienojiet šo USB ligzdu ar jūsu PC USB portu, jo ir ļoti iespējams, ka tas var izraisīt ierīču salūšanu.

Ierīces sapārošana un pievienošana skaļrunim

Jums jāsapāro jūsu Bluetooth ierīce ar DMR200, pirms iespējams automātiski savienoties, lai atskaņotu/straumētu Bluetooth mūziku par jūsu Bluetooth skaļruni. Pārošana izveido "saiti", lai divas ierīces var atpazīt cita citu.

Lai iegūtu labāku skaņas kvalitāti, mēs iesakām uzstādīt skaļumu uz vairāk nekā divām trešdaļām uz Bluetooth ierīces un pēc tam pēc vajadzības pielāgot skaļumu skaļrunī.

Jūsu Bluetooth ierīces sapārošana un atskaņošana pirmo reizi






1. Nospiediet Barošanas pogu , lai ieslēgtu skaļruni, Bluetooth indikators iedegas zilā krāsā. Indikators ātri mirgo zilā krāsā, norādot, ka skaļrunis ir atpazīstams.
2. Aktivizējiet Bluetooth savā ierīcē saskaņā ar ierīces lietotāja rokasgrāmatu, lai savienotos ar skaļruni. Atrodiet Bluetooth ierīču sarakstu un izvēlieties ierīci ar nosaukumu "DMR200". Dažiem mobilajiem tālruniem (kas ir aprīkoti ar ierīču versijām, kas ir vecākas par BT2.1 Bluetooth), var būt nepieciešams ievadīt paroli "0000".
3. Kad savienojums ir noticis, atskanēs pīkstiena skaņa, un Bluetooth indikators degs zilā krāsā (nemirgojot). Jūs varat vienkārši izvēlēties un atskaņot jebkuru mūziku no jūsu avota ierīces. Skaļumu var regulēt no jūsu avota ierīces vai tieši no skaļruņa.
4. Izmantojiet vadības elementus jūsu Bluetooth saderīgajā ierīcē vai uz skaļruņa, lai atskaņotu/pauzētu un veiktu navigāciju uz vajadzīgajiem ierakstiem.


Piezīme:

1. Ja 2 Bluetooth ierīces, sapārotas pirmo reizi, abas meklē jūsu DMR200, tā pieejamība parādīsies abās ierīcēs. Tomēr, ja viena ierīce savienojas ar šo ierīci pirmā, tad otra Bluetooth ierīce neatradīs to sarakstā.
2. Ja jūsu Bluetooth ierīce uz laiku ir atvienota no skaļruņa, tad nepieciešams atkal manuāli savienot ierīci ar skaļruni.
3. Ja "DMR200" rāda jūsu Bluetooth ierīču sarakstu, bet jūsu ierīce nevar ar to savienoties, lūdzu, dzēsiet ierakstu no saraksta un vēlreiz sapārojiet ierīci ar skaļruni, ievērojot soļus, kas aprakstīti iepriekš.
4. Efektīvais darbības rādiuss starp sistēmu un sapāroto ierīci ir aptuveni 10 metri (30 pēdas). Jebkurš šķērslis starp sistēmu un ierīci var samazināt darbības rādiusu.
5. Bluetooth savienojamības sniegums var atšķirties atkarībā no savienotajām Bluetooth ierīcēm. Lūdzu, skatiet savas ierīces Bluetooth iespējas, pirms pievienot to skaļrunim. Iespējams, ka sapārotās ierīces neatbalsta visas Bluetooth funkcijas.

Audio failu atskaņošana Bluetooth režīmā

Kad esat veiksmīgi pievienojis savu skaļruni izvēlētajai Bluetooth ierīcei, varat sākt atskaņot savu mūziku, izmantojot pievienotās Bluetooth ierīces vadības elementus.

1. Kad atskaņošana ir sākta, noregulējiet skaļumu uz vajadzīgo iestatījumu, izmantojot jūsu skaļruņa vai iespējotās Bluetooth ierīces skaļuma pogas  . Kad nospiežat pogu Skajāk/klusāt, skaļuma indikators ātri mirgos sarkanā krāsā. Ja indikators deg sarkanā krāsā, tas norāda, ka skaļums ir noregulēts maksimālā vai minimālā līmenī.
2. Izmantojiet vadības elementus jūsu ierīcē, lai atskaņotu/iepausētu un veiktu navigāciju uz vajadzīgajiem ierakstiem. Vai arī vadiet atskaņošanu, izmantojot skaļruņa pogas Atskaņot/pauze (), Nākamais ieraksts (), Iepriekšējais ieraksts (.

3. Turiet nospiestu pogu Nākamais ieraksts  vai Iepriekšējais ieraksts, lai ātri pārtītu/atīttu pašreizējo ierakstu. Atļaidiet pogu, kad tiek sasniegts vajadzīgais punkts ierakstā.


Piezīme:

1. Ne visas atskaņotāja aplikācijas vai ierīces var atsaukties uz visiem šiem vadības elementiem.
2. Daži mobilie tālruņi var uz laiku atvienoties no jūsu skaļruņa, kad veicat vai saņemat zvanus. Dažas ierīces var uz laiku aplūzināt savu Bluetooth audio straumēšanu, kad tās saņem īsziņas, e-pastus vai citu iemeslu dēļ, kuri nav saistīti ar audio straumēšanu. Šāda reakcija ir pievienotās ierīces funkcija, un nenorāda uz jūsu skaļruņa kļūmi.

Skaļruņa atmiņa un ierīces pievienošana

Jūsu skaļrunis var atcerēties līdz 8 sapārotu ierīču komplektiem; kad atmiņa pārsniedz šo daudzumu, vecākā sapārošanas vēsture tikt pārrakstīta. Ja jūsu Bluetooth ierīce jau iepriekš ir sapārota ar skaļruni, ierīce atcerēsies jūsu Bluetooth ierīci, un tā mēģinās pievienoties atmiņā saglabātajai ierīcei, kura tika pievienota pēdējā. Ja pēdējā pievienotā ierīce nav pieejama, skaļrunis būs atpazīstams.

Jūsu Bluetooth ierīces atvienošana

Turiet nospiestu Bluetooth sapārošanas pogu  2-3 sekundes, lai atvienotos no jūsu Bluetooth ierīces. Bluetooth indikators mirgo zilā krāsā kā indikācija, ka skaļrunis ir atkal atpazīstams.

Mūzikas atskaņošana no ārējā ievada ligzdas

3,5mm ārējā ievada ligzda ir pieejama ierīces labajā pusē, lai jautu padot audio signālu ierīcē no jebkuras ierīces, kurai ir austiņas vai audio ievads, piemēram, iPod, MP3 vai CD atskaņotāja.

1. Pievienojiet stereo vai mono audio avotu (piemēram, iPod, MP3 vai CD atskaņotāju) pie ārējā ievada ligzdas (atzīmēta ar "AUX"), un Aux indikatorā izgaismojas zaļš, norādot, ka skaļrunis ir ārējā ievada režīmā.
2. Noregulējiet savu iPod, MP3 vai CD atskaņotāja skaļumu, lai iegūtu atbilstošu signālu un pēc tam noregulējiet skaļruņa skaļumu, lai būtu komfortabli klausīties.
3. Lai iegūtu labāku skaņas kvalitāti, mēs iesakām uzstādīt skaļumu uz vairāk nekā divām trešdaļām uz audio ierīces un pēc tam pēc vajadzības pielāgot skaļumu skaļrunī.

Piezīme:

Kad ārējā ievada ligzda ir pieslēgta audio ierīcei, Bluetooth funkcija tiks izslēgta, lai samazinātu elektroenerģijas patēriņu.

APKOPE

UZMANĪBU:

- Nekādā gadījumā nelietojiet benzīnu, šķīdinātāju, alkoholu vai līdzīgas vielas. Var rasties krāsas zudumi, deformācija vai plaisas.

Specifikācija

Pastiprinātājs

Izejas jauda	18V:10W 14,4V:6W 10,8V:3,5W
Frekvences atbilde	50Hz~20kHz

Ārējais ievads

Ievada jutība	250mVrms @100Hz
---------------	-----------------

Skaļrunis

Galvenais skaļrunis	101,6mm 8 omi 10W
Augšējo toņu skaļrunis	36mm 8 omi 10W

Bluetooth

Bluetooth versija	4.0
Bluetooth profili	A2DP/SCMS-T/AVRCP
Pārtraides jauda	Bluetooth specifikācija jaudas klase 2
Pārtraides diapazons	Maks. 10m (atkarīgs no lietošanas apstākļiem)
Atbalstītais kodeks	SBC
Saderīgais Bluetooth profils	A2DP
Maksimālais radio frekvences jauda: BT EDR: 3,84 dBm / BT LE: 3,46 dBm	

Vispārīgi

Mainstrāvas barošanas adapteris	Izdzīvas ievads 12V 1,5A, centrālais kontakts pozitīvs
Akumulators ieslēdzamais akumulators	10,8V-12Vmaks./14,4 V/18 V
Svars	2,7KG (bez akumulatora)

Uzņēmums patur tiesības mainīt specifikāciju bez
brīdinājuma.

LIETUVIŠKAI (Originali instrukcija)

Simboliai

Žemiau rasite simbolius naudojamus žymėti įrangai.
Prieš vartojimą įsitinkinkite, kad suprantate ką jie reiškia.



Perskaitykite vartotojo instrukciją.



Tiktai ES valstybėms

Neišmeskite elektros įrangos arba akumuliatoriaus bloko į buitinius šiukšlynus! Atsižvelgiant į ES direktyvas dėl elektros ir elektroninės įrangos atliekų ir dėl baterijų ir akumuliatorių bei baterijų ir akumuliatorių atliekų ir šių direktyvų siekių įgyvendinimą pagal nacionalinius įstatymus, elektros įrangos ir baterijų bei akumuliatorių atliekas būtina surinkti atskirai nuo kitų buitinių atliekų ir atiduoti antrinių žaliavų perdirbimo aplinkai nekenksmingu būdu punktą.

SVARBU SAUGUMO INSTRUKCIJOS

⚠ PERSPĖJIMAS:

Elektrinių įrankių naudojimo metu visada būtina naudotis pagrindinėmis saugumo taisyklėmis, kad būtų išvengta gaisro, elektros šoko ir sužeidimų, įskaitant šias:

1. Įdėmiai perskaitykite šią vartotojo instrukciją bei pakrovėjo instrukciją prieš naudodami įrenginį.
2. Valykite tik su sausu audiniu.
3. Nemontuokite įrangos šalia jokių šilumos šaltinių pvz.: radiatorių, šilumos skaitiklių, viryklių ar kitų prietaisų (įskaitant stiprintuvus) kurie gamina šilumą.
4. Naudokite tik priedus nurodytus gamintojo.
5. Išjunkite prietaisą per audras su žaibais ar kai žinote jog prietaisas bus nenaudojamas ilgą laiką tarpą.
6. Garsiakalbis su integruotomis baterijomis ar atskiras baterijų paketas privalo būti kraunamas tik su nurodytu pakrovėju. Pakrovėjas kuris gali būti tinkamas vienam baterijų tipui gali sukelti gaisrą kai naudojamas bandant pakrauti kitos rūšies baterijas.
7. Naudokite garsiakalbį su integruotomis baterijomis tik su tam skirtu baterijų paketu. Kitos rūšies baterijos gali padidinti gaisro tikimybę.
8. Kai nenaudojate baterijų paketo, laikykite jį toliau nuo metalinių daiktų, pvz.: sąvaržėlių, monetų, raktų, vinių, varžtų, ar kitų mažų metalinių objektų, kurie gali sujungti baterijos galus. Susijungę baterijos galai gali sukelti kibirkščiavimą, nudegimus ar gaisrą.
9. Venkite kontakto su įžemintais paviršiais, tokiais kaip vamzdžiai, radiatoriai ar šaldytuvai. Esant tokiam kontaktui padidėja elektros šoko tikimybė.
10. Esant pažeidimams, skystis gali ištekėti iš baterijos; venkite kontakto. Jeigu neišvengėte kontakto su baterijos skysčiu, plaukite vandeniu. Jeigu skystis pateko į akis, kreipkitės į medikus. Baterijoje esantis skystis gali sukelti sudirginimus ir nudegimus.
11. Maitinimo kištukas yra naudojamas prietaisui išjungti, jis turi išlikti lengvai pasiekiamas ir atjungiamas.

IŠSAUGOKITE ŠIĄ SAUGUMO INSTRUKCIJĄ

SPECIFINĖS SAUGUMO TAISYKLĖS

BATERIJAI

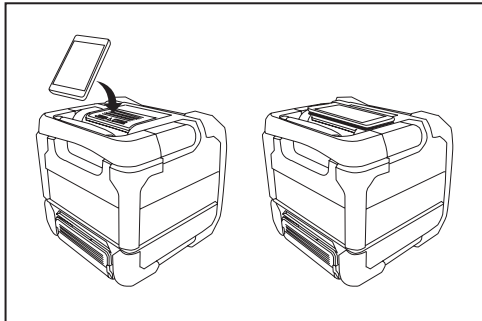
1. Prieš naudodami baterijų paketą, perskaitykite visas instrukcijas ir saugumo taisykles baterijos pakrovėjui (1), baterijai (2) ir prietaisui naudojančiam bateriją (3).
2. Neišardykite baterijų paketą.
3. Jeigu veikimo laikas tapo per trumpas, iškart nutraukite naudojimą. Tokiu atveju gali padidėti perkaitimo tikimybė, kilti gaisras ar net sprogimas.
4. Jeigu į akis patenka elektrolitas, plaukite jas su švariu vandeniu ir iškart kreipkitės į gydymo įstaigą. Nesikreipiant į gydymo įstaigą galite prarasti regėjimą.
5. Nesukelkite baterijų paketo užtrumpinimo:
(1) Nelleskite galų su laidžiomis medžiagomis.
(2) Venkite laikyti baterijų paketą vienoje dėžėje su kitais metaliniais daiktais, tokiais kaip viny, monetos ir t.t.
(3) Neleiskite baterijai sušlapti. Užtrumpinimas gali padidinti srovės galią, sukelti perkaitimą, nudegimus ar sugadinti prietaisą.
6. Nelaikykite prietaiso ir baterijų vietoje kur temperatūra gali pasiekti ar viršyti 50 °C (122°F)
7. Nedeginkite baterijų paketo net jeigu jis yra pažeistas ar visiškai susidėvėjęs. Įmestas į ugnį jis gali sprogti.
8. Būkite atsargūs ir venkite smūgių į bateriją.
9. Nenaudokite pažeistos baterijos.

Patarimai kaip prailginti baterijos naudojimo trukmę.

1. Pakraukite baterijų paketą prieš jam visiškai išsikraunant. Visada išjunkite prietaisą ir pakraukite baterijas kai pastebite, kad prietaisas veikia silpniau.
2. Niekada neperkraukite pilnai pakrautos baterijos. Perkrovimas trumpina bendrą baterijos naudojimo trukmę.
3. Kraukite baterijas patalpoje, kur temperatūra yra 10 °C - 40 °C (50 °F - 104 °F). Leiskite baterijai atvėsti prieš ją pajungiant krauti.
4. Pakraukite baterijas jei nenaudojote jos ilgą laiką (daugiau nei 6 mėnesius).

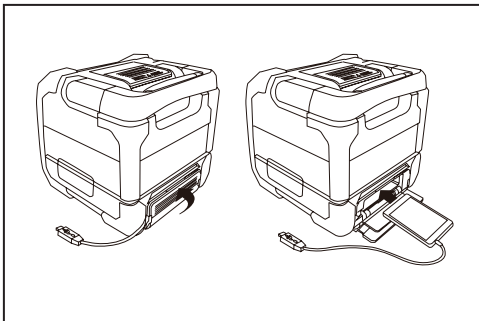
Bendrieji paaikškinimai (1 pav.)

1. Akumulatoriaus spynelė.
2. Mobiliaus telefono dėklas



3. Groti/Sustabdyti
4. Kita daina/greitas prasukimas
5. Padidinti garsą
6. Sumažinti garsą
7. Aux in jungties indikatorius
8. Didžiausio/mažiausio garso indikatorius/senkančios baterijos indikatorius
9. Bluetooth indikatorius
10. Bluetooth sujungimo mygtukas
11. Įjungimo mygtukas
12. Buvusi daina/Atsukti
13. Garsiakalbis
14. Rankena
15. DC in jungtis
16. Auxiliary jungties

17. USB krovimo jungtis
18. Kabelio jungtis
19. Mobiliaus telefono dėklas



20. 14,4 V/18V akumulatoriaus galas
21. 10,8V-12Vmax akumulatoriaus galas
22. Akumulatoriaus dangtis
23. Akumulatoriaus dėklas
24. Mygtukas
25. Mobiliaus telefono dėklo dangtelis

Energija

Garsiakalbis gali veikti naudojant Makita baterijų paketus ar pajungtas tiesiai į tinklą.

Maitinimas baterijomis

Lentelė parodo veikimo laiką po pilno pakrovimo:

Baterijos talpa	Baterijų paketo įtampa			AT SPEAKER NAŠUMAS = 100mW (Vnt.; Valandos) (Apytiksliai)			
	10,8V-12Vmax	14,4V	18V	AUX IN	Bluetooth	AUX IN +USB(2,1A)	Bluetooth +USB(2,1A)
1,3Ah		BL1415	BL1815	7,5	7,0		1,0
1,5Ah	BL1015/ BL1016			12	11		1,0
		BL1415N		10	9,0		1,0
2,0Ah			BL1815N	9,5	9,0		1,5
	BL1020B/ BL1021B			15	14		1,0
3,0Ah			BL1820/ BL1820B	13	12		2,0
		BL1430/ BL1430B		16	15		2,0
4,0Ah			BL1830/ BL1830B	18	17		3,0
	BL1040B/ BL1041B			31	28		2,5
5,0Ah		BL1440		26	24		3,0
			BL1840/ BL1840B	25	24		4,0
6,0Ah		BL1450		31	29		3,5
			BL1850/ BL1850B	32	31		5,5
6,0Ah		BL1460B		34	32		4,0
			BL1860B	39	37		6,5

Baterijų paketo įdėjimas ir išėmimas (pav. 3 ir 4)

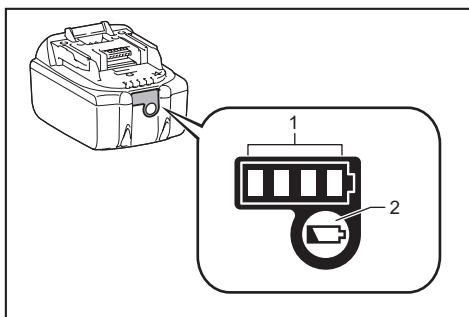
- Norėdami įdėti baterijų paketą, sulyginkite liežuvelį ant baterijos paketo su griovėliu ir įstumkite jį į vietą. Visada įstumkite jį iki galo kol jis įsitvirtina dėkle su mažu spragtelėjimu.
- Jeigu dega raudonas indikatorius virš mygtuko, baterijų paketas neįtvirtintas. Įstumkite jį iki galo, kol užges raudona lemputė. Jeigu paliksite jį nepilnai įtvirtintą, paketas gali iškristi iš prietaiso ir sužeisti jus ar kitus aplinkui esančius žmones.
- Nenaudokite jėgos kai bandote įdėti baterijų paketą. Jeigu paketas neįsistumia laisvai, jūs bandote jį įdėti neteisingai.
- Norint išimti baterijų paketą, išstumkite jį iš įrenginio spausdami mygtuką dėklo priekyje.

Pastaba:

Kai garsiakalbio baterija senka, vidurinė LED mirksės raudonai.

Baterijos likučio nustatymas:

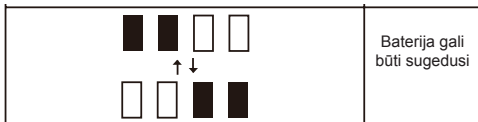
Tinka tik baterijoms su "B" raidemodelio numerio pabaigoje



- 1. Indikatoriaus lemputės 2. Patikrinimo mygtukas

Paspauskite patikrinimo mygtuką ant baterijos dėklo, kad sužinotumėte baterijos likutį. Indikatoriaus lemputės užsidega po keleto sekundžių.

Lemputės			Baterijos likutis
Deganti	Išsijungusi	Mirkiojanti	
■ ■ ■ ■			Nuo 75% iki 100%
■ ■ ■ □			Nuo 50% iki 75%
■ ■ □ □			Nuo 25% iki 50%
■ □ □ □			Nuo 0% iki 25%
▬ □ □ □			Pakraukite bateriją



Baterija gali būti sugedusi

PASTABA: Priklausomai nuo naudojimo sąlygų ir aplinkos temperatūros, lemputčių derinių rodomi likučiai gali skirtis nuo tikrojo likučio.

Kintamosios srovės maitinimo adapterio naudojimas (Pav. 5)

Nuimkite guminę apsaugą ir įjunkite adapterio jungtį į DC jungtį dešiniojoje garsiakalbio pusėje. Įjunkite adapterį į standartinį maitinimo lizdą. Kai adapteris yra naudojamas baterijų paketas yra automatiškai atjungiamas. Kintamosios srovės adapteris turi būti išjungiamas iš maitinimo kai nėra naudojamas.

SVARBU:

Maitinimo adapteris yra naudojamas prijungti garsiakalbį prie maitinimo šaltinio. Garsiakalbio maitinimo lizdas turi likti prieinamas naudojimo metu. Norint išjungti garsiakalbį nuo elektros tinklo, maitinimo adapteris turi būti visiškai išjungtas iš maitinimo lizdo.

USB maitinimo lizdas

Šis lizdas gali būti naudojamas pakrauti telefonui ar bet kokiam kitam prietaisui kuris naudoja mažesnę nei 2,1A srovę. Prietaisas bus kraunamas tik tada kai garsiakalbis bus įjungtas.

Pastaba: Įsitikinkite, kad jūsų išorinis prietaisas, pvz.: mobilus telefonas, mp3 grotuvas ar iPod'as yra tinkamas naudoti su garsiakalbiu. Prieš jungdami prietaisą prie garsiakalbio perskaitykite savo išorinio prietaiso vartotojo instrukciją.

SVARBU:


- Prieš pajungdami USB prietaisą į pakrovėją, visada išsaugokite savo USB prietaiso failų atsarginę kopiją. Jūsų failai gali būti prarasti.
- Pakrovėjas gali nekrauti tam tikrų USB prietaisų.
- Jeigu nenaudojate krovimo jungties ar baigėte krovimą, atjunkite USB kabelį ir uždarykite dangtelį.
- Nejunkite energijos šaltinio į USB jungtį. Prijungus gali padidėti gaisro tikimybė. USB jungtis yra skirta tik krauti mažos įtampos prietaisams. Visada uždengkite USB jungtį dangteliu kai nekraunate kitų prietaisų.
- Nekiškite vinių, laidų ir pan. į USB maitinimo lizdą. Užtrumpinimas gali sukelti dūmus ar gaisrą.
- Neprijunkite šio USB lizdo į savo kompiuterį, nes yra didelė tikimybė, kad prietaisai gali būti sugadinti.

Prietaiso suporavimas ir prijungimas prie garsiakalbio

Prieš galėdami groti muziką per Bluetooth jūs turite suporuoti savo Bluetooth prietaisą su DMR200 garsiakalbiu. Suporavimas sukuria ryšį, kad du prietaisai galėtų atpažinti vienas kitą.

Norėdami išgauti geresnę garso kokybę, „Bluetooth“ garso įrenginyje rekomenduojame garšą nustatyti daugiau nei du trečdalius ir tuomet, kaip reikalaujama, nustatyti garšą garsiakalbyje.

Suporavimas ir muzikos leidimas per Bluetooth įrenginį pirmą kartą

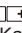
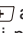
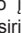
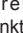
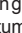
1. Paspauskite įjungimo mygtuką  kad įjungtumėte garsiakalbį ir Bluetooth lemputė įsižiėbs mėlynai. Lemputė greitai žybcioja mėlyna spalva parodydama, kad garsiakalbis yra aptinkamas.
2. Aktyvuokite Bluetooth savo įrenginyje kaip nurodyta prietaiso vartotojo instrukcijoje, kad galėtumėte prijungti jį garsiakalbio. Suraskite Bluetooth įrenginių sąrašą ir pasirinkite įrenginį pavadinimu "DMR200". Kai kurie mobilieji telefonai gali prašyti įvesti slaptažodį "0000" (tie kuriuose įdiegta ankstesnė nei BT2.1 versija).
3. Kai prietaisai susijungs, pasigirs pyptelėjimas ir Bluetooth indikatorius lemputė žibės mėlynai nebe mirksėdama. Paprasčiausiai pasirinkite muziką ir paspauskite groti savo įrenginyje. Galite reguliuoti garsą savo įrenginiu ar tiesiai per garsiakalbį.
4. Naudokite savo Bluetooth prijungto prietaiso ar garsiakalbio valdiklius, kad galėtumėte groti/sustabdyti ir vaikščioti per dainas.


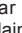
Pastaba:

1. Jeigu du prietaisai, kuriais prie garsiakalbio jungiamas pirmą kartą, ieškos jūsų DMR200, jis atsiras abiejų prietaisų sąrašuose. Visgi, kai vienas iš prietaisų prisijungs prie garsiakalbio, kitas Bluetooth prietaisas nebegalės jo rasti.
2. Jeigu jūsų Bluetooth prietaisas yra laikinai atsijungęs nuo garsiakalbio, jį reiks prijungti prie garsiakalbio dar kartą rankiniu būdu.
3. Jeigu "DMR200" atsiranda Bluetooth prietaisų sąrašė tačiau kitas prietaisas prie jo prisijungti negali, ištrinkite garsiakalbį iš prietaisų sąrašo ir pridėkite jį iš naujo sekdami prieš tai pateiktas instrukcijas.
4. Efektyvus atstumas tarp suporuotų įrenginių yra apytiksliai 10 metrų (30 pėdų). Bet kokia kliūtis tarp sistemos įrenginių gali sumažinti efektyvų atstumą.
5. Bluetooth sąjungos efektyvumas gali skirtis priklausomai nuo prijungtų prietaisų. Pasidomėkite savo prietaiso Bluetooth galimybėmis prieš prijungdami jį prie garsiakalbio. Ne visos funkcijos gali būti atkurimos prijungiant tam tikrus prietaisus.

Audio failų grojimas Bluetooth režime.

Kai sėkmingai prijungėte savo prietaisą prie garsiakalbio, galite groti muziką naudodami valdymo mygtukus ant savo Bluetooth įrenginio.

1. Kai daina jau groja, galite reguliuoti garsą naudodami Garso mygtukus   ant savo garsiakalbio ar Bluetooth įrenginio. Kai paspausite Garsiau/Tyliau mygtuką, garso indikatorius lemputė greitai sužybcios raudonai. Jeigu indikatorius lemputė pastoviai žiba raudonai, jūsų prietaisas yra maksimalaus ar minimalaus garso režime.
2. Naudokite mygtukus ant savo įrenginio, kad paleistumėte/sustabdytumėte ar pasirinktumėte dainą. Naudokite Groti/Sustabdyti () , Kita daina () , Buvusi daina mygtukus () on ant garsiakalbio.

3. Laikykite užspaudę Kita daina  ar  Buvusi dainakad prasuktumėte, atsuktumėte dainą. Atleiskite mygtuką, kai atsukote dainą iki reikiamos vietos.


Pastaba:

1. Ne visi grotuvai ar įrenginiai gali reaguoti į šiuos mygtukus.
2. Kai kurie mobilieji telefonai gali laikinai atsijungti nuo jūsų garsiakalbio kai jūs skambinate arba gaunate skambučių. Kai kurie prietaisai gali trumpam nutildyti Bluetooth garso perdavimą kai gaunate žinutę, laišką ar dėl kitų priežasčių nesusijusių su grojimo funkcijomis. Tokie dalykai yra jūsų prijungto prietaiso funkcijos ir nerodo, kad jūsų garsiakalbis yra sugedęs.

Garsiakalbio atmintis ir prietaiso prijungimas antrą kartą

Jūsų garsiakalbis gali įsiminti iki 8 prijungtų įrenginių, kai šis skaičius yra viršijamas, seniausias prijuntas prietaisas bus perrašytas į naują. Jeigu jūsų įrenginys kartą jau buvo prijungtas prie garsiakalbio, šis atsimins įrenginį ir bandys prie jo prisijunti naudodamas įsimintus duomenis. Jeigu paskutinis prijungtas įrenginys nebus aptiktas, garsiakalbis atsiras prieinamų Bluetooth įrenginių sąrašė.

Bluetooth įrenginio atjungimas

Paspauskite ir palaikykite užspausť Bluetooth suporavimo mygtuką  2-3 sekundes, kad jūsų prietaisas būtų atjungtas. Bluetooth indikatorius lemputė pradės mirksėti mėlynai, rodydama kad garsiakalbis vėl gali būti prijunamas.

Muzikos grojimas per AUX (pagalbinį) įvesties lizdą

3.5mm pagalbinis lizdas yra dešiniojoje garsiakalbio pusėje ir leidžia prijungti prie jo ausines, ar kitą prietaisą, tokį kaip iPod, MP3 ar CD grotuvą.

1. Prijunkite stereo ar mono audio įrenginį (pvz.: iPod, MP3 ar CD grotuvą) prie AUX lizdo (pažymėto kaip "AUX") ir lemputė įsižiėbs žaliai, rodydama kad išorinis prietaisas yra prijungtas.
2. Sureguliuokite garsą per savo iPod, MP3 ar CD grotuvą tam kad užtikritumėte gerą signalą ir tada nustatykite garso lygį į tokį, kokiu patogus klausyti muzikos.
3. Norėdami išgauti geresnę garso kokybę, „Audio“ garso įrenginyje rekomenduojame garsą nustatyti daugiau nei du trečdalius ir tuomet, kaip reikalaujama, nustatyti garsą garsiakalbyje.

Pastaba:

Kai į AUX lizdą yra įjungtas garso prietaisas, Bluetooth funkcija bus išjungta, kad būtų sumažintos energijos sąnaudos.

TECHNINĖ PRIEŽIŪRA

ATSARGIAI:

- Niekada nenaudokite benzino, skiediklio, alkoholio ar pan. Gali atsirasti spalvos praradimas, deformacijos ar įtrūkimai.

Specifikacijos

Stiprintuvo

Galia	18V:10W 14,4V:6W 10,8V:3,5W
Dažnis	50Hz~20kHz

Aux In

Jungties jautrumas	250mVrms @100Hz
--------------------	-----------------

Garsiakalbis

Pagrindinis garsiakalbis	101.6mm 8 omi 10W
Aukštų dažnių garsiakalbis	36mm 8 omi 10W

Bluetooth

Bluetooth versija	4.0
Bluetooth* profiliai	A2DP/SCMS-T/AVRCP
Perdavimo galia	Bluetooth 2 galios klasė
Perdavimo atstumas	Max. 10m (priklauso nuo vartojimo sąlygų)
Palaikomas kodekas	SBC
Suderinamas Bluetooth profilis	A2DP
Maksimali radijo dažnio jėga:	BT EDR: 3,84 dBm / BT LE: 3,46 dBm

General

Kintamosios srovės maitinimo adapteris	DC in 12V 1.5A, centras pin teigiamas
Baterijų jautis	10,8V-12Vmax/14,4 V/18 V
Svoris	2,7KG (be baterijos)

Bendrovė pasilieka teisę keisti specifikaciją be išankstinio įspėjimo.

EESTI (Originaaljuhendid)

Üksikasjad

Järgnevalt on selgitatud seadme kasutamiseks olulisi üksikasju. Olge veendunud, et mõistate kõiki üksikasju enne seadme kasutamist.



Palun lugege kasutusjuhendit.



Üksnes ELi liikmesriikidele

Ärge käidelda kasutuskõlbmatuks muutunud elektriseadmeid ega akusid koos olmejäätmetega!

Vastavalt Euroopa Parlamendi ja Nõukogu direktiividele elektri- ja elektroonikaseadmete jäätmete kohta ning patareide ja akude ning patarei- ja akujäätmete kohta ning nende nõuete kohaldamisele liikmesriikides tuleb kasutuskõlbmatuks muutunud elektriseadmed ja akud koguda eraldi ja keskkonناسäästlikult korduskasutada või ringlusse võtta.

OLULISED TURVALISUSE JUHENDID

⚠ ETTEVAATUST:

Kui kasutate elektrilisi seadmeid jälgige alati põhilisi ohutusnõudeid, et vältida tule-, elektrišoki ja vigastusohu, sealhulgas järgnevat nõudeid:

1. Lugege nii seda kui laadija kasutusjuhendit hoolikalt enne seadmete kasutamist.
2. Puhastage seadet vaid kuiva lapiga.
3. Ärge paigutage seadet kuumaallikate lähedale, nt radiaatorid, soojapuhurid, ahjud või muud kuuma õhku tootvad allikad (sh võimendid).
4. Kasutage vaid tootja poolt heaks kiidetud liseseadmeid.
5. Eemaldage seade vooluvõrgust äiksetormi korral või kui seadet ei kasutata pikema aja vältel.
6. Akul töötavat kõlarit nii sisseehitatud kui eraldioleva akuga tuleb laadida vaid vastava aku jaoks heaks kiidetud laadijaga. Laadija, mis sobib kokku üht tüüpi akuga, võib teist tüüpi akuga kasutamisel olla tuleohtlik.
7. Kasutage akut töötavat kõlarit vaid selle jaoks toodetud akudega. Muude akude kasutamine kõlariga võib olla tuleohtlik.
8. Kui akud ei ole kasutusel, hoidke neid eemal muudest metallesemetest, nt kirjaklambrid, mündid, võtmed, naelad, kruvid või muud väiksed metallesemad, mis võivad klemmide vahel ühenduse tekitada. Aku klemmide ühendus võib põhjustada sädemeid, põletusi või leeki.
9. Vältige kehakontakti maandatud pindadega, nt torud, radiaatorid, pliivid ja külmikud. Kehakontakt maandatud pindadega suurendab elektrilöögi riski.
10. Karmides tingimustes võib akust lekkida vedelikku, vältige sellega kokkupuudet. Kui peaksite sellega siiski kokku puutuma, loputage nahapiinda veega. Kui vedelik satub silma, pöörduge lisaks arsti poole. Akust lekkiv vedelik võib põhjustada nahaärritust või põletust.
11. Toitepistikut kasutatakse seadme vooluvõrgust lahutamiseks, see peab olema hõlpsasti ligipääsetav.

HOIDKE NEED JUHENDID ALLES

OHUTUSE ERINÕUDED

AKUKASSETI KOHTA

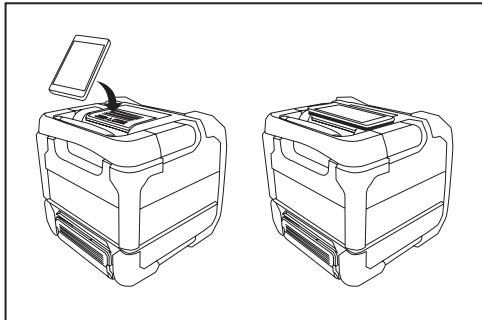
1. Enne aku kasutamist lugege kõiki juhendeid ja märgistust (1) akulaadiljal, (2) akul ja (3) seadmel, mis akut kasutab.
2. Ärge demonteerige akut.
3. Kui aku kasutusaeg lüheneb märgatavalt, lõpetage aku kasutamine. See võib kaasa tuua ülekuumenemise, põlengu või isegi plahvatuse.
4. Kui elektrolüüt satub silma, loputage silma puhta veega ning pöörduge koheselt arsti poole. Kaasned võib nägemise kahjustus.
5. Ärge tekitage akut lühist, pidades meeles järgnevat:
 - (1) Ärge puudutage klemme voolu juhtiva materjaliga.
 - (2) Ärge hoidge akut koos metallist esemetega, nt naelad, mündid jms.
 - (3) Ärge jätke akut vihma kätte või märga kohta. Aku lühis võib põhjustada tugevat elektrivoolu, ülekuumenemist või põlengut.
6. Ärge hoidke kõlarit ning akut kohas, kus temperatuur võib tõusta üle 50°C (122°F).
7. Ärge põletage või tuhastage akut isegi kui see on tõsiselt kahjustunud või täielikult kulunud. Aku võib
8. tules plahvatada.
9. Kaitske akut mahakukkumise ja löökide eest. Ärge kasutage kahjustatud akut.

Nõuandeid aku eluea pikendamiseks

1. Laadige akut enne, kui see täielikult tühjeneb. Kui märkate kõlari töövõimsuse vähenemist, lülitage see välja ning laadige akut.
2. Ärge kunagi laadige täislaetud akut. Ülelaadimine lühendab aku eluiga.
3. Laadige akut toatemperatuuril 10°C – 40°C (50°F – 104°F). Laske kuumenenud akut esiti maha jahtuda.
4. Laadige akut, kui te pole seda pikema aja jooksul kasutanud (rohkem kui 6 kuu jooksul).

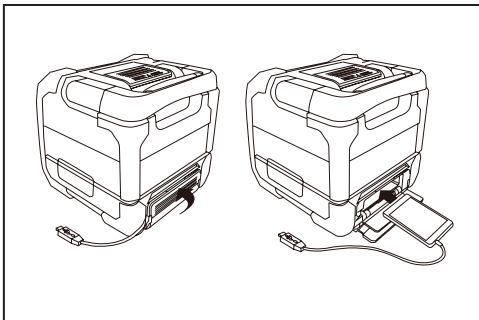
Üldvaate selgitus (Joon. 1)

1. Akuhoidiku lukusti
2. Mobiiltelefoni asetuskoht



3. 'Esita'/'Peatu' nupp
4. 'Järgmise loo'/'Edasikerimise' nupp
5. 'Heli valjemaks' nupp
6. 'Heli vaiksemaks' nupp
7. Lisasisendi (Aux in) näidik
8. Maksimaalse või minimaalse helitugevuse näidik/Aku tühjenemise näidik
9. Bluetooth'i näidik
10. Bluetooth'i ühendusnupp
11. Toitenupp
12. 'Eelmise loo'/'Tagasikerimise' nupp
13. Kõlar
14. Sang
15. Vooluvõrku ühendamise pesa
16. Lisasisendi pesa

17. USB laadimispiistik
18. Kaablipesa
19. Mobiiltelefoni hoidik



20. 14,4V/18V aku jaam
21. 10,8V-12Vmax aku jaam
22. Aku kate
23. Aku
24. Nupp
25. Mobiilseadme hoidiku kaas

Võimsus

Kõlar töötab Makita akudega või standardse toitejuhtmega.

Akutoide

Järgnev tabel näitab aku kestust ühekordse laadimisega.

Aku võimsus	Aku pingeline			AT KÕLARI VÄLJUND = 100mW(üksus: tund) (hinnanguliselt)			
	10,8V-12Vmax	14,4V	18V	Lisa-sisend	Bluetooth	Lisa-Sisend +USB(2,1A)	Bluetooth +USB(2,1A)
1,3Ah		BL1415	BL1815	7,5	7,0	1,0	
1,5Ah	BL1015/ BL1016			12	11	1,0	
		BL1415N		10	9,0	1,0	
2,0Ah			BL1815N	9,5	9,0	1,5	
	BL1020B/ BL1021B			15	14	1,0	
3,0Ah			BL1820/ BL1820B	13	12	2,0	
		BL1430/ BL1430B		16	15	2,0	
4,0Ah			BL1830/ BL1830B	18	17	3,0	
	BL1040B/ BL1041B			31	28	2,5	
5,0Ah		BL1440		26	24	3,0	
			BL1840/ BL1840B	25	24	4,0	
6,0Ah		BL1450		31	29	3,5	
			BL1850/ BL1850B	32	31	5,5	
6,0Ah		BL1460B		34	32	4,0	
			BL1860B	39	37	6,5	

Aku paigaldamine või eemaldamine (joonised 3 ja 4)

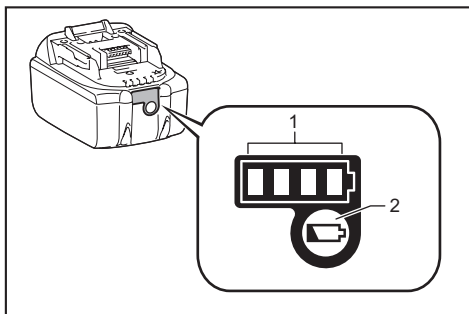
- Aku paigaldamiseks asetage akul olev keeleke kõrvuti korpusel oleva soonega ning libistage see paika. Alati libistage see lõpuni, kuni kuulete klõpsu ja see lukustub.
- Kui näete punast tulukest nupust ülalpool, ei ole aku korralikult lukustunud. Paigaldage see täielikult, kuni punane tuluke kustub. Kui aku pole täielikult paigaldatud, võib see kogemata oma kohalt välja libiseda, vigastades kõrvalseisjat.
- Ärge kasutage akut paigaldades jõudu. Kui aku ei libise kergesti oma kohale, ei ole see õigesti paigaldatud.
- Aku eemaldamiseks vajutage aku esiosal olevat nuppu ning libistage see oma kohalt eemale.

Märkus:

Kui kõlari aku laetuse tase on madal, vilgub keskmine punane LED tuluke.

Allesoleva akutaseme näitamine

Ainult akudel, mille mudeli number lõppeb sümboliga "B".



► 1. Näidik 2. Konrollnupp

Vajutage akul olevat konrollnuppu, et kuvada allesolevat akutaset. Näidiku tuli süttib mõneks sekundiks.

Näidiku tuleid			Allesolev akutase
Tuli sees	Tuli väljas	Tuli vilgub	
■	■ ■ ■ ■		75% kuni 100%
■	■ ■ ■ □		50% kuni 75%
■	■ ■ □ □		25% kuni 50%
■	□ □ □ □		0% kuni 25%
▬	□ □ □ □		Laadige akut
■	■ □ □ □	↑ ↓	Aku töös võib esineda probleeme

MÄRKUS: Sõltuvalt kasutustingimustest ja ümbritsevast temperatuurist, võib näidik tegelikust akutasemest veidi erineda.

Kaasoleva AC toiteploki kasutamine (Joonis 5)

Eemaldage kaitseümbris ning sisestage toiteadapteri pistik kõlari paremal küljel asuvasse vooluvõrku ühendamise pesa. Ühendage toiteadapter standardse vooluvõrgu pistikupesasse. Iga kord, kui kasutusel on toiteadapter, lülitatakse akutoide välja. Vooluvõrku ühendamise toiteadapter tuleks vooluvõrgust lahti ühendada, kui te seda parajasti ei kasuta.

OLULINE:

Toiteadapterit kasutatakse seadme vooluvõrku ühendamiseks. Kõlari pistikupesaga peab olema kergesti juurdepääsetav. Selleks, et kõlari toide täielikult katkestada, tuleb toiteadapter vooluvõrgust täielikult eemaldada.

USB toitepesa

Seda pesa saab kasutada mobiiltelefoni või mis iganes muu vähem kui 2,1 A alalisvoolu kasutava seadme laadimiseks. Laadimine toimub vaid siis, kui kõlar on sisse lülitatud.

Märkus: Veenduge, et teie väline seade, nt mobiiltelefon, MP3 mängija või iPod, ühildub kõlariga. Palun lugege oma välise seadme kasutusjuhendit enne selle laadimist.

OLULINE:

- Varundage USB seadmel olevad andmed enne, kui ühendate USB seadme laadijaga. Vastasel juhul võib juhtuda, et andmed lähevad kaduma.
- Laadija ei pruugi mõningaid USB seadmeid laadida.
- Eemaldage USB juhe ja sulgege kaas, kui te seda ei kasuta või kui laadimine on lõpetatud.
- Ärge ühendage vooluallikat USB porti. Vastasel juhul tekib tuleoht. USB port on mõeldud vaid madalama pingega seadmete laadimiseks. Sulgege alati USB pordi kaas, kui te porti parajasti laadimiseks ei kasuta.
- Ärge sisestage naela, traati jms USB toiteporti. Vastasel juhul võib tekkida lühis, mis põhjustab suitsu ja tuld.
- Ärge ühendage kõlari USB pesa oma lauaarvuti USB pordiga, kuna suure tõenäosusega kaasneks sellega kahjustused.

Välise seadme paarimine ja ühendamine kõlariga

Enne, kui saate automaatselt seadmed omavahel siduda ning mängida või striimida muusikat oma Bluetooth'i seadmest, tuleb Bluetooth'i seade paarida oma DMR200'iga. Paarimine loob kahe seadme vahel ühenduse, nii et need tunnevad teineteist ära.

Parema helikvaliteedi saavutamiseks soovitakse Bluetooth seadme helitugevuse seada kõrgemaks kui kaks kolmandikku ning seejärel kohandada kõlari helitugevust vastavalt vajadusele.

Bluetooth seadme esmakordne paarimine ja mängimine

1. Vajutage toitenuppu **I** kõlari sisselülitamiseks, kuni Bluetooth'i sinine tuluks vilgub. Sinise tuluks kiire vilkumine näitab, et kõlar on leitav.
2. Kõlariga ühendamiseks aktiveerige oma seadme Bluetooth'i ühendus vastavalt seadme kasutusjuhendile. Leidke oma seadmest üles saadaolevate Bluetooth seadmete nimekiri ja valige seade nimega "DMR200". Mõningad mobiilseadmed (kui nende Bluetooth seadeldise versioon on varasem kui BT.2.1) nõuavad turvakoodi "0000" sisestamist.
3. Kui ühendus on loodud, kuulete piiksi ja Bluetooth'i sinine tuluks jääb püsivalt põlema. Nüüd võite valida ja mängida mis iganes muusikat oma seadmest. Heli valjust saate muuta nii oma Bluetooth seadmest kui otse kõlarilt.
4. Muusikapalade esitamiseks, peatamiseks või edasi ja tagasi liikumiseks võite kasutada nii oma Bluetooth seadet kui kõlarit.

Märkus:

1. Kui kaks Bluetooth'i seadet, mis ühenduvad esimest korda, otsivad te DMR200-i, on see nähtav mõlemas seadmes. Kuid kui üks neist ühendub esimesena, ei näe teine seade seda enam.
2. Kui teie Bluetooth'i seadme ühendus kõlariga on ajutiselt katkenud, tuleb teil kõlariga käsitsi uus ühendus luua.
3. Kui DMR200 on te Bluetooth'i seadmes nähtav kuid sellega ei õnnestu ühendust luua, kustutage see palun oma Bluetooth'i seadmete nimekirjast ning ühendage see kõlariga uuesti järgides eelnevalt kirjeldatud samme.
4. Kõlari ja sellega ühendatud seadme vaheline töökaugus on umbes 10 meetrit. Igasugused takistused kõlari ja sellega ühendatud seadme vahel võivad töökaugust vähendada.
5. Bluetooth ühenduse töökindlus võib sõltuda ühendatud Bluetooth'i seadmest. Palun kontrollige oma seadme Bluetooth'i võimsust enne selle kõlariga ühendamist. Kõik funktsioonid ei pruugi mõne Bluetooth seadmega ühendades saadaaval olla.

Helifailide esitamine Bluetooth'i kaudu

Kui olete oma kõlari edukalt Bluetooth'i seadmega ühendanud, saate esitada oma muusikat kasutades oma Bluetooth seadme menüüd.

1. Kui lugu esitatakse, saate reguleerida helitugevust vastavalt soovile kas kõlari helitugevuse nuppudega **[-]** **[+]** või oma Bluetooth seadme kaudu. Kui vajutate Heli valjemaks/vaiksemaks nuppu, vilgub punane tuluks. Kui punane tuluks põleb püsivalt, on helitugevus seadud maksmaliseks või minimaalseks.
2. Kasutage oma Bluetooth seadme menüüd, et esitada/peatada lugu või lugude vahel liikuda. Lisaks võite kasutada kõlaril olevad nuppe Esita/Peatu (**▶▶**), Järgmine lugu (**▶▶▶**), Eelmine lugu (**◀◀◀**).
3. Vajutage ja hoidke nuppu Järgmine **▶▶▶** või **◀◀◀** Eelmine, et kerida lugu edasi või tagasi. Vabastage nupp, kui jõuate otsitava kohani.

Märkus:

1. Kõik rakendused või seadmed ei pruugi ühtmoodi töötada.
2. Mõningad mobiiltelefonid võivad ajutiselt ühenduse kõlariga katkestada, kui alustate väljaminevat või võtate vastu sissetuleva telefonikõne. Mõningad seadmed võivad ajutiselt vaigistada Bluetooth'i heliesituse, kui saabub tekstisõnum, e-kiri või mõnel muul põhjusel, mis pole heli esitusega seotud. Sellistel juhtudel on tegemist ühendatud seadme vastava funktsiooniga ning see ei viita kõlari rikkele.

Kõlari mälu ning seadme uuesti ühendamine

Teie kõlar võib meelde jätta kuni 8 sellega paaritud seadet. Kui mälu saab täis, kirjutatakse vanim ajalugu üle. Kui kõlar on eelnevalt juba paarinud te Bluetooth seadmega, jätab see teie Bluetooth seadme meelde ning püüab luua ühendust selle seadmega, mis on mälu viimati salvestatud. Kui viimati ühendatud seade ei ole saadaaval, on kõlar teistele seadmetele taas leitav.

Bluetooth seadmega ühenduse katkestamine

Vajutage ja hoidke Bluetooth'i paarimise nuppu **✂** 2-3 sekundi jooksul all, et ühendus oma Bluetooth seadmega katkestada. Sinine Bluetooth'i tuluks hakkab seejärel vilkuma, andes märku, et kõlar on taas paarimiseks leitav.

Muusika mängimine kasutades lisisisendi pesa

Kõlari paremal küljel on 3.5 mm lisisisendi pesa, et oleks võimalik kasutada mistahes seadmeid, millel on kõrvaklappe või heli väljund, nt iPod, MP3- või CD-mängija.

1. Ühendage oma stereo- või mono-heliseade (näiteks iPod, MP3- või CD-mängija) lisisisendi pesa (märgistatud kui "AUX") ja lisisisendi juures asuval näidikul süttib roheline tuli, andes märku, et kõlar on
2. seadud lisisisendi režiimile.
Helitugevuse kohandamiseks reguleerige seda kõigepealt oma iPodis, MP3- või CD-mängijas, et tagada piisav tugevus, ning seejärel reguleerige seda kõlaril, et saavutada soovitud helitugevus.
3. Parema helikvaliteedi saavutamiseks soovitage Audio seadme helitugevuse seada kõrgemaks kui kaks kolmandikku ning seejärel kohandada kõlari helitugevust vastavalt vajadusele.

Märkus:

Kui heliseadme lisisisendi pesa on kasutuses, lülitatakse energia säästmiseks seadme Bluetooth'i funktsioon välja.

HOOLDAMINE

⚠ ETTEVAATUST:

- Ärge kunagi kasutage hooldamiseks vedelgaasi, bensiini, vedeldajat, alkoholi või muud sarnast. Need võivad põhjustada värvimuutust, deformeerumist või kahjustada seda muul moel.

Tehniline kirjeldus

Võimendi

Väljundi võimsus	18V:10W 14,4V:6W 10,8V:3,5W
Sageduse vastuvõtt	50Hz~20kHz

Lisasisend

Sisendi tundlikkus	250mVrms @100Hz
--------------------	-----------------

Kõlar

Põhikõlar	101,6mm 8 omi 10W
Kõrgsageduskõlar	36mm 8 omi 10W

Bluetooth

Bluetooth'i versioon	4.0
Bluetoothi profiil	A2DP/SCMS-T/AVRCP
Ülekande võimsus	Bluetooth'i võimsusklass 2
Ülekande ulatus	Max 10 m (sõltub kasutustingimustest)
Toetatud koodek	SBC
Ühilduv Bluetooth'i profiil	A2DP
Maksimaalne raadiosageduse võimsus: BT EDR:	3,84 dBm / BT LE: 3,46 dBm

Üldine

Vahelduvvoolu adapter	Alalispinge 12V 1,5A, keskkohat pin positiivne
Aku	10,8V-12Vmax/14,4 V/18 V
Hoidiku temperatuur	-20°C ~ 60°C
Töötemperatuur	-10°C ~ 45°C (kinnitamata)
Kaal	2,7KG (ilma akuta)

Tootjal on õigus üksikasju muuta ilma ette teatamata.