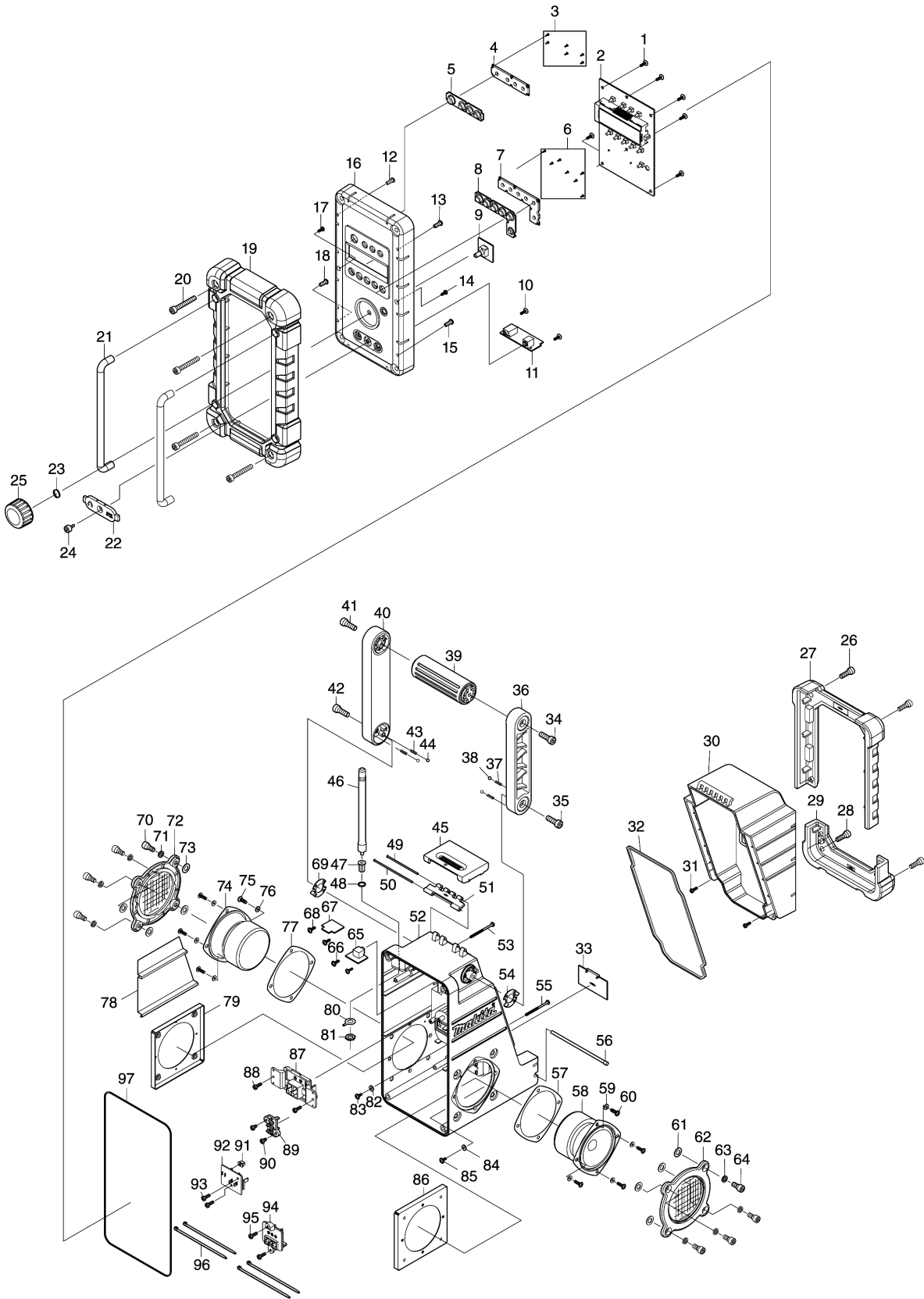


Model No.DMR110 JOB SITE RADIO



Model No.DMR110 JOB SITE RADIO

Item	Parts No.	Description	I/C	Qty	New/Old	Opt. 1	Opt. 2	Note
001	SE00000325	SCREW PTB 3X8(NI)		6				
002	SE00000564	PCB A ASS'Y CE		1	*			
002-1	SE00000564	PCB A ASS'Y CE	<	1	*			
002-2	SE00000824	PCB A ASSEMBLY	O	1				
003	SE09090011	SCREW 1.7		6				
004	SE020PC020	POWER BUTTON HOLDER		1				
005	SE00000274	POWER BUTTON		1				
006	SE09090011	SCREW 1.7		7				
007	SE020PC030	PRESET BUTTON HOLDER		1				
008	SE00000275	PRESET BUTTON		1				
009	SE00000565	PCB-P ENCODER ASS'Y 07DB0A1		1				
010	SE00000193	SCREW 3X10		2				
011	SE00000566	PCB-P DC JACK ASS'Y 07PB0A1		1				
012	SE09064161	SCREW M4X16		1				
013	SE09064161	SCREW M4X16		1				
014	SE00000325	SCREW PTB 3X8(NI)		1				
015	SE09064161	SCREW M4X16		1				
016	SE00000568	FRONT CABINET ASS'Y CE 01FB0A2		1	*			
016-1	SE00000308	FRONT CABINET ASS'Y	X	1				
017	SE00000325	SCREW PTB 3X8(NI)		1				
018	SE09064161	SCREW M4X16		1				
019	SE00000159	FRONT BUMPER		1				
020	SE00000160	SCREW PTHE6X47(CR)		4				
021	SE0338PC5Z	FRONT BAR		2				
022	SE00000042	JACK COVER		1				
023	SE21B1110A	ROTARY KNOB RING		1				
024	SE09173106	HEX SCREW M3X10		1				
025	SE00000465	ROTARY KNOB BLK 3102PC0000040		1				
026	SE09176166	HEX SCREW M6X16		2				
027	SE00000162	BATTERY COVER BUMPER		1				
028	SE09176166	HEX SCREW M6X16		2				
029	SE00000165	REAR BUMPER		1				
030	SE00000166	BATTERY COVER		1				
031	SE00000325	SCREW PTB 3X8(NI)		2				
032	SE00000168	PACKING		1				
033	SE00000570	BACK UP BATTERY COVER (BLUE) 3		1				
034	SE00000176	SCREW PTHE6X20(CR)		1				
035	SE09176166	HEX SCREW M6X16		1				
036	SE00000177	HANDLE HOLDER(R)		1				
037	SE00000184	SPRING		2				

Model No.DMR110 JOB SITE RADIO

Item	Parts No.	Description	I/C	Qty	New/Old	Opt. 1	Opt. 2	Note
038	SE09994007	STEEL BALL		2				
039	SE00000179	HANDLE		1				
040	SE00000180	HANDLE HOLDER (L)		1				
041	SE00000176	SCREW PTHE6X20(CR)		1				
042	SE09176166	HEX SCREW M6X16		1				
043	SE00000184	SPRING		2				
044	SE09994007	STEEL BALL		2				
045	SE00000190	BATTERY COVER LOCKER		1				
046	SE00000284	RUBBER ANT 174-240(BLACK)		1				
047	SE021J9032	ROD ANT HOLDER		1				
048	SE024J9050	PACKING		1				
049	SE021PC050	LOCKER FIXER PIN 62.8		1				
050	SE021PC040	LOCKER FIXER PIN 79.5		1				
051	SE00000067	LOCKER HINGER		1				
052	SE00000577	REAR CABINET(BLU) ASS'Y01RB0A5		1				
053	SE09163452	SCREW M3X45		1				
054	SE00000187	HANDLE SUS-PLATE (R)		1				
055	SE09163452	SCREW M3X45		1				
056	SE021PC030	BATTERY COVER LOCKER		1				
057	SE024J9030	PACKING		1				
058	SE01620771	SPEAKER		1				
059	SE024J9070	PACKING		4				
060	SE09090023	SCREW M4X12		4				
061	SE024J9090	PACKING		4				
062	SE00000205	SPEAKER NET ASSY		1				
063	SE024J9040	PACKING		4				
064	SE9076146A	HEX SCREW M6X14		4				
065	SE00000579	PCB-P AUX ASS'Y 07BB0A1		1				
066	SE00000193	SCREW 3X10		2				
067	SE00000285	PCB-G USB ASS'Y		1				
068	SE00000193	SCREW 3X10		2				
069	SE00000192	HANDLE SUS-PLATE(L)		1				
070	SE9076146A	HEX SCREW M6X14		4				
071	SE024J9040	PACKING		4				
072	SE00000205	SPEAKER NET ASSY		1				
073	SE024J9090	PACKING		4				
074	SE01620771	SPEAKER		1				
075	SE09090023	SCREW M4X12		4				
076	SE024J9070	PACKING		4				
077	SE024J9030	PACKING		1				
078	SE00000291	GROUND PLATE		1				
079	SE021J9010	SPEAKER HOLDER		1				

Please order the parts with part number.

Print Date 27/3/2020

Model No.DMR110 JOB SITE RADIO

Item	Parts No.	Description	I/C	Qty	New/Old	Opt. 1	Opt. 2	Note
080	SE021PC100	ROD ANT TERMINAL		1				
081	SE021P0020	NUT		1				
082	SE00000199	SILICON RUBBER WASHER		2				
083	SE00000193	SCREW 3X10		2				
084	SE00000199	SILICON RUBBER WASHER		2				
085	SE00000193	SCREW 3X10		1				
086	SE021J9010	SPEAKER HOLDER		1				
087	SE00000416	TERMINAL E (B)		1				
088	SE00000325	SCREW PTB 3X8(NI)		2				
089	SE00000200	TERMINAL C		1				
090	SE00000325	SCREW PTB 3X8(NI)		2				
091	SE00000430	SWITCH KNOB		1				
092	SE00000580	PCB E ASS'Y 07EB0A1		1				
093	SE00000325	SCREW PTB 3X8(NI)		2				
094	SE00000473	TERMINAL 10.8V ASSY 011 WA1		1				
095	SE00000325	SCREW PTB 3X8(NI)		2				
096	SE00000195	W/TIES 100MM		4				
097	SE024PC040	PACKING		1				
A01	SE00000265	AC ADAPTER		1				

Please order the parts with part number.

Print Date 27/3/2020