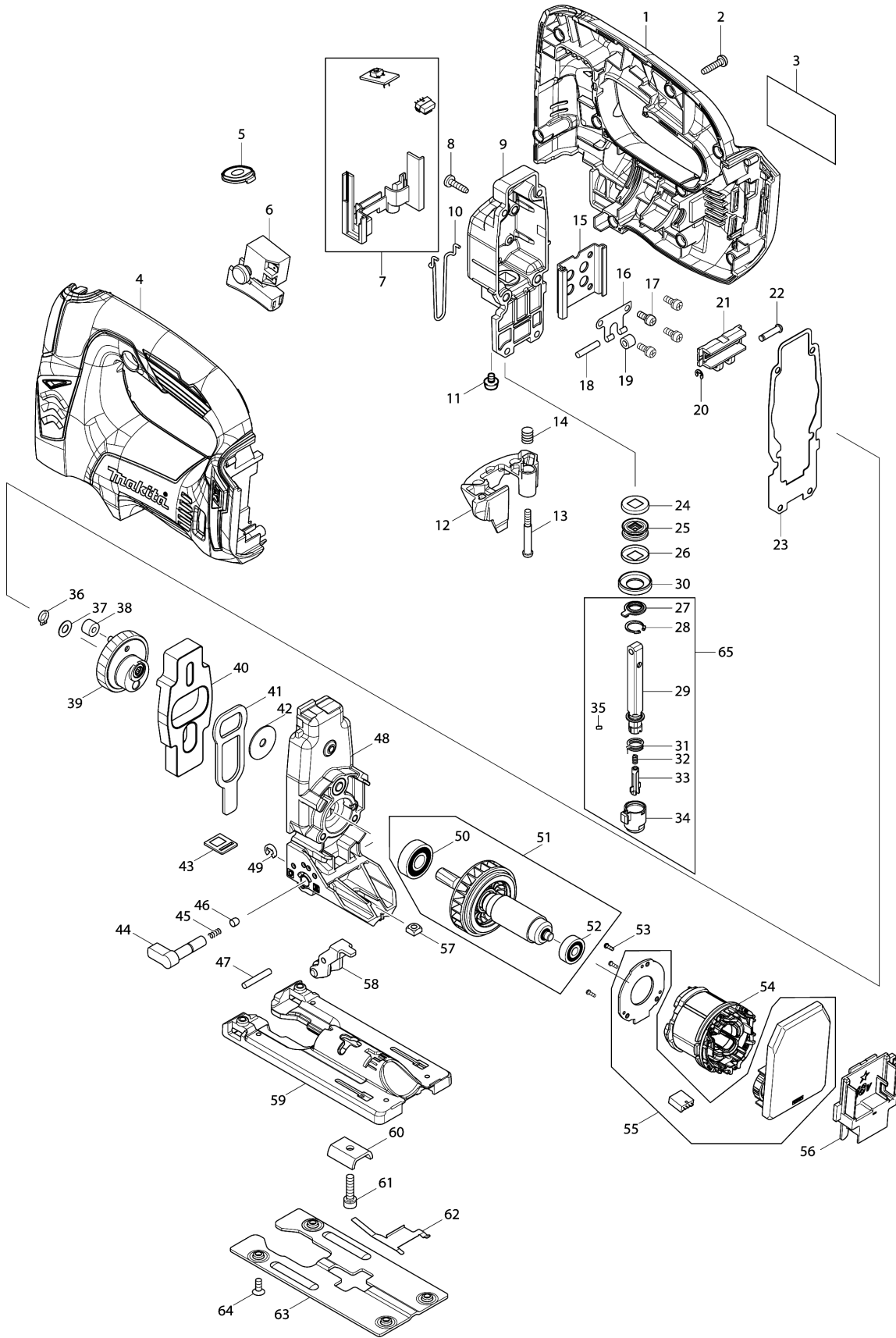


Model No.DJV182 CORDLESS JIG SAW



Model No.DJV182 CORDLESS JIG SAW

Item	Parts No.	Description	I/C	Qty	New/Old	Opt. 1	Opt. 2	Note
001	187706-8	HOUSING SET		1				
C10	263005-3	RUBBER PIN 6		2				
D10		INC. 4						
002	265995-6	TAPPING SCREW 4X18		9				
003	814V65-6	DJV182 NAME PLATE		1				
004	187706-8	HOUSING SET		1				
C10	263005-3	RUBBER PIN 6		2				
D10		INC. 1						
005	142303-7	SWITCH PLATE COMPLETE		1				
006	650251-1	SWITCH SGEL106C-4		1				
007	632B56-3	SWITCH UNIT		1				
008	266034-5	TAPPING SCREW CT 4X16		4				
009	142112-4	GEAR HOUSING COVER COMPLETE		1				
010	326302-9	SAFETY WIRE		1				
011	911104-2	PAN HEAD SCREW M4X6		1				
012	454483-0	TOOL OPENER		1				
013	265026-1	+ PAN HEAD SCREW M4		1				
014	231659-4	TORSION SPRING 6		1				
015	346687-7	LINEAR GUIDE		1				
016	232207-2	LEAF SPRING		1				
017	911111-5	PAN HEAD SCREW M4X10 WITH W		4				
018	256117-9	PIN 4		1				
019	214031-5	PLANE BEARING 4		1				
020	961017-7	STOP RING E-3		1				
021	310548-7	SLIDER		1	*			
021-1	310837-0	SLIDER	<	1				
022	268090-1	PIN 4		1				
023	442195-7	GASKET		1				
024	267854-0	CAP WASHER 8		1				
025	421815-6	DUST SEAL 8		1				
026	267854-0	CAP WASHER 8		1				
027	424569-4	DUST COVER		1				
028	962063-3	RETAINING RING R-13		1				
029	165724-6	ROD		1				
030	257347-5	RING 21		1				
031	233591-8	TORSION SPRING 10		1				
032	233314-4	COMPRESSION SPRING 4		1				
033	310485-5	LOCK PIN		1				
034	310547-9	BLADE HOLDER		1				
035	256528-8	PIN 2		1				
036	961002-0	RETAINING RING S-6		1				

Model No.DJV182 CORDLESS JIG SAW

Item	Parts No.	Description	I/C	Qty	New/Old	Opt. 1	Opt. 2	Note
037	253715-0	FLAT WASHER 6		1				
038	212014-9	NEEDLE BEARING 407		1	*			
038-1	212092-9	NEEDLE BEARING 407	O	1				
039	142109-3	GEAR COMPLETE		1				
040	313260-8	BALANCE PLATE		1				
041	346688-5	PUSH PLATE		1				
042	253196-8	FLAT WASHER 6		1				
043	454484-8	SEAL PLATE		1				
044	272244-4	LEVER 17		1	*			
044-1	272280-0	LEVER 17	<	1				
045	233139-6	COMPRESSION SPRING 3		1				
046	286032-3	CAP 5		1				
047	268063-4	PIN 4		1				
048	142111-6	GEAR HOUSING COMPLETE		1				
049	961018-5	STOP RING E-5		1				
050	210059-1	BALL BEARING 6000DDW		1				
051	519329-8	ROTOR ASS'Y		1				
D10		INC. 50,52						
052	210022-4	BALL BEARING 626DDW		1				
053	266490-9	TAPPING SCREW PT 2X6		3				
054	629998-8	STATOR		1				
055	620248-4	CONTROLLER		1	*			
055-1	620B24-8	CONTROLLER	<	1				
056	643899-6	TERMINAL		1				
057	252171-1	SQUARE NUT M5-8		1				
058	142110-8	RETAINER COMPLETE		1				
059	319016-7	BASE		1				
060	345237-5	CRANK PLATE		1				
061	922231-0	HEX. SOCKET HEAD BOLT M5X20		1				
062	232208-0	LEAF SPRING		1				
063	346685-1	BASE PLATE		1				
064	265085-5	+ COUNTERSUNK HEAD SCREW M4X8		4				
065	135602-4	ROD ASS'Y		1				
D10		INC. 27-29,31-35						
A01	126331-0	DUST NOZZLE ASSEMBLY		1				
A02	415524-7	ANTI-SPLINTERING DEVICE		1				
A03	417852-6	COVER PLATE		1				
A04	A-85737	JIGSAW BLADE NO.B22		1				
A05	A-85628	JIGSAW BLADE NO.B10		1				
A06	A-85793	JIGSAW BLADE NO.BR13		1				
A07	783202-0	HEX. WRENCH 4		1				

Model No.DJV182 CORDLESS JIG SAW

Item	Parts No.	Description	I/C	Qty	New/Old	Opt. 1	Opt. 2	Note
A08B	821550-0	CONNECTOR PLASTIC CASE (TYPE2)		1				
C10	453974-8	LATCH		4				
A09B	837639-4	INNER TRAY		1				
A10B	802D99-3	DJV182RMJ PLASTIC CASE LABEL		2				
A11B	***DC18RC	DC18RC FAST CHARGER		1				
A12B	196399-0	BATTERY BL1840 SET		2	*			
A12-1B	196399-0	BATTERY BL1840 SET	O	2	*			
A12-2B	197265-4	BATTERY BL1840B SET	<	2	*			
A12-3B	197265-4	BATTERY BL1840B SET	O	2				
A13B	450128-8	BATTERY COVER		1				
A14B	802D98-5	DJV182RMJ INDICATION LABEL		1				

Please order the parts with part number.

Print Date 1/9/2020