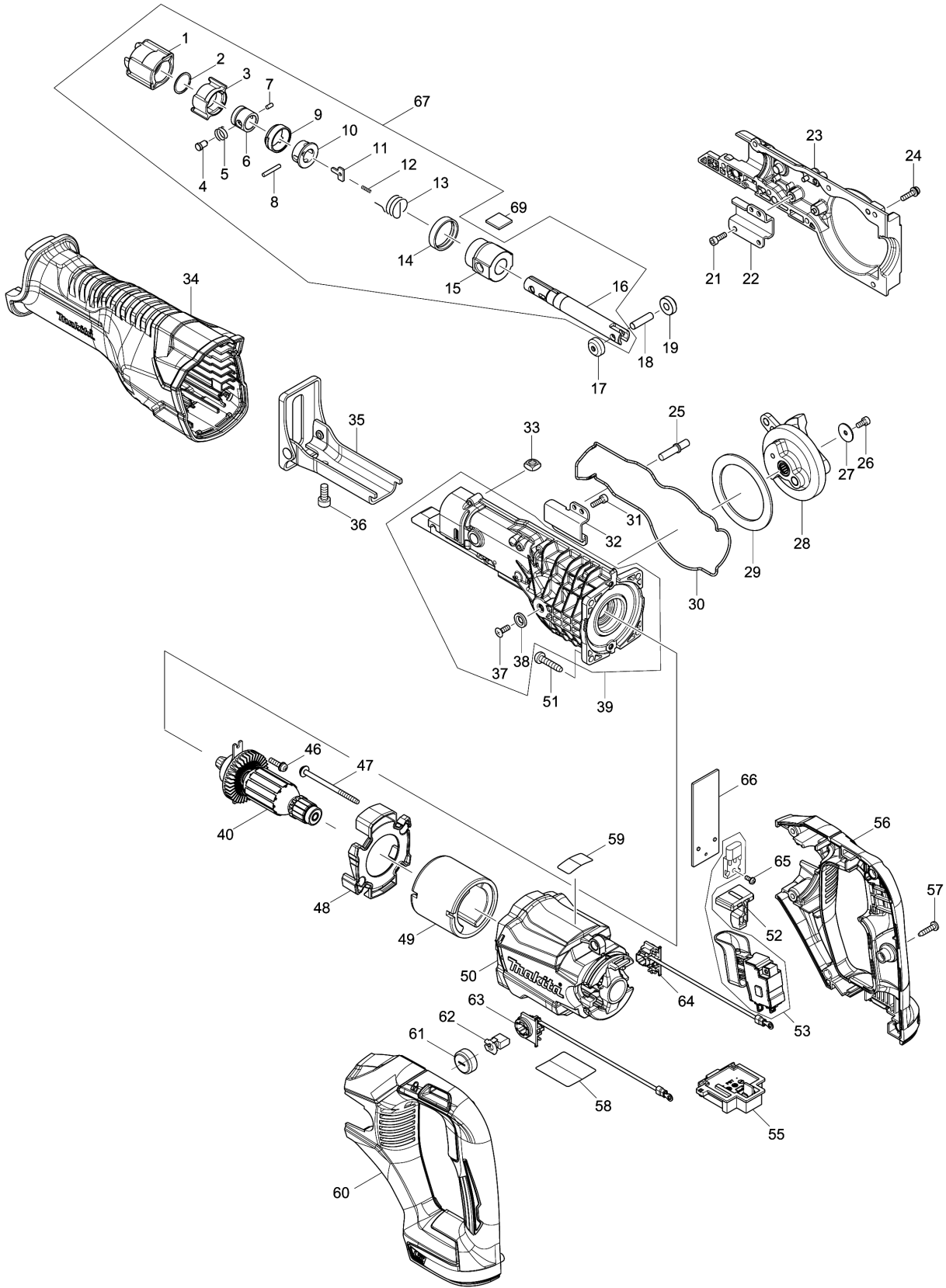


Model No.DJR186 CORDLESS RECIPRO SAW



Model No.DJR186 CORDLESS RECIPRO SAW

| Item | Parts No. | Description | I/C | Qty | New/Old | Opt. 1 | Opt. 2 | Note |
|-------|-----------|--------------------------------|-----|-----|---------|--------|--------|------|
| 001 | 424763-8 | PROTECTOR | | 1 | | | | |
| 002 | 257952-8 | RETAINING RING (EXT) 18 | | 1 | * | | | |
| 002-1 | 257430-8 | RETAINING RING(EXT)18 | S | 1 | | | | |
| 003 | 310662-9 | DRIVING SLEEVE | | 1 | | | | |
| 004 | 256569-4 | SHOULDER PIN 5 | | 1 | | | | |
| 005 | 234381-2 | COMPRESSION SPRING 6 | | 1 | | | | |
| 006 | 331720-8 | GUIDE SLEEVE | | 1 | * | | | |
| 006-1 | 327043-0 | GUIDE SLEEVE | S | 1 | | | | |
| 007 | 268094-3 | PIN 3 | | 1 | | | | |
| 008 | 256158-5 | PIN 3 | | 1 | | | | |
| 009 | 417791-0 | DRIVING SLEEVE GUIDE | | 1 | | | | |
| 010 | 418311-3 | SLEEVE | | 1 | | | | |
| 011 | 345214-7 | PUSH PLATE | | 1 | | | | |
| 012 | 233025-1 | COMPRESSION SPRING 2 | | 1 | | | | |
| 013 | 231687-9 | TORSION SPRING 17 | | 1 | | | | |
| 014 | 424762-0 | RUBBER RING | | 1 | | | | |
| 015 | 143365-8 | SLIDER GUIDE COMPLETE | | 1 | | | | |
| C10 | 213151-2 | OIL SEAL 14 | | 1 | | | | |
| C20 | 213174-0 | X RING 14 | | 1 | | | | |
| 016 | 161376-1 | SLIDER | | 1 | | | | |
| 017 | 310663-7 | ROLLER | | 1 | | | | |
| 018 | 268341-2 | PIN 6 | | 1 | | | | |
| 019 | 310663-7 | ROLLER | | 1 | | | | |
| 021 | 922117-8 | HEX. SOCKET HEAD BOLT M4X12 | | 2 | * | | | |
| 021-1 | 265353-6 | HEX. SOCKET HEAD BOLT M4X12 | < | 2 | | | | |
| 022 | 346936-2 | ROD GUIDE R | | 1 | | | | |
| 023 | 143381-0 | GEAR HOUSING R COMPLETE | | 1 | | | | |
| 024 | 911128-8 | P.H.SCREW M4X16 WITH WR | | 7 | | | | |
| 025 | 256567-8 | SHOULDER PIN 6-8 | | 1 | | | | |
| 026 | 922107-1 | HEX. SOCKET HEAD BOLT M4X8 | | 1 | * | | | |
| 026-1 | 265911-8 | HEX. SOCKET HEAD BOLT M4X8 | < | 1 | | | | |
| 027 | 267491-0 | FLAT WASHER 4 | | 1 | | | | |
| 028 | 143377-1 | GEAR COMPLETE | | 1 | | | | |
| 029 | 267490-2 | FLAT WASHER 54 | | 1 | | | | |
| 030 | 424764-6 | SEAL RING | | 1 | | | | |
| 031 | 922117-8 | HEX. SOCKET HEAD BOLT M4X12 | | 2 | * | | | |
| 031-1 | 265353-6 | HEX. SOCKET HEAD BOLT M4X12 | < | 2 | | | | |
| 032 | 346935-4 | ROD GUIDE L | | 1 | | | | |
| 033 | 252157-5 | SQUARE NUT M6 | | 1 | | | | |
| 034 | 424768-8 | INSULATION COVER | | 1 | | | | |

Please order the parts with part number.

Print Date 26/3/2020

Model No.DJR186 CORDLESS RECIPRO SAW

| Item | Parts No. | Description | I/C | Qty | New/Old | Opt. 1 | Opt. 2 | Note |
|-------|-----------|-----------------------------------|-----|-----|---------|--------|--------|------|
| 035 | 161375-3 | SHOE | | 1 | * | | | |
| 035-1 | 161810-1 | SHOE | O | 1 | | | | |
| 036 | 265531-8 | HEX SOCKET HEAD BOLT M6X14 | | 1 | | | | |
| 037 | 912112-6 | COUNTERSUNK HEAD SCREW M4X10 | | 1 | * | | | |
| 037-1 | 265135-6 | + COUNTERSUNK HEAD SCREW M4X10 | < | 1 | | | | |
| 038 | 253825-3 | FLAT WASHER 6 | | 1 | | | | |
| 039 | 123511-9 | GEAR HOUSING L ASSEMBLY | | 1 | * | | | |
| D10 | | INC. 37,38 | | | * | | | |
| 039-1 | 126678-2 | GEAR HOUSING L ASSEMBLY | < | 1 | | | | |
| D10 | | INC. 37,38 | | | | | | |
| 040 | 519392-1 | ARMATURE ASS'Y 18V | | 1 | | | | |
| C10 | 961055-9 | RETAINING RING S-15 | | 1 | | | | |
| C20 | 211247-3 | BALL BEARING 6002DDW | | 1 | | | | |
| C30 | 227650-8 | SPIRAL BEVEL GEAR 7 | | 1 | | | | |
| C40 | 285740-3 | BEARING RETAINER 66 | | 1 | | | | |
| C50 | 210062-2 | BALL BEARING 607ZZ | | 1 | | | | |
| D10 | | INC. 41-45 | | | * | | | |
| 041 | 961055-9 | RETAINING RING S-15 | | 1 | * | | | |
| 042 | 211247-3 | BALL BEARING 6002DDW | | 1 | * | | | |
| 043 | 227650-8 | SPIRAL BEVEL GEAR 7 | | 1 | * | | | |
| 044 | 285740-3 | BEARING RETAINER 66 | | 1 | * | | | |
| 045 | 210062-2 | BALL BEARING 607ZZ | | 1 | * | | | |
| 046 | 911128-8 | P.H.SCREW M4X16 WITH WR | | 2 | | | | |
| 047 | 266292-3 | TAPPING SCREW 4X65 | | 2 | | | | |
| 048 | 456207-0 | BAFFLE PLATE | | 1 | | | | |
| 049 | 638571-3 | YOKE UNIT | | 1 | | | | |
| 050 | 456206-2 | MOTOR HOUSING | | 1 | | | | |
| 051 | 266041-8 | TAPPING SCREW 5X25 | | 4 | | | | |
| 052 | 456208-8 | LOCK OFF BUTTON | | 1 | | | | |
| 053 | 650760-0 | SWITCH TG573FSB-9V | | 1 | * | | | |
| 053-1 | 650760-0 | SWITCH TG573FSB-9V | O | 1 | | | | |
| 055 | 644808-8 | TERMINAL | | 1 | * | | | |
| 055-1 | 644809-6 | TERMINAL | S | 1 | | | | |
| 056 | 183C48-6 | HANDLE SET | | 1 | * | | | |
| C10 | 263005-3 | RUBBER PIN 6 | | 2 | * | | | |
| D10 | | INC. 60 | | | * | | | |
| 056-1 | 183C49-4 | HANDLE SET | S | 1 | | | | |
| C10 | 263005-3 | RUBBER PIN 6 | | 2 | | | | |
| D10 | | INC. 60 | | | | | | |
| 057 | 266326-2 | TAPPING SCREW 4X18 | | 6 | | | | |
| 058 | 851R04-1 | DJR186 NAME PLATE | | 1 | | | | |

Please order the parts with part number.

Print Date 26/3/2020

Model No.DJR186 CORDLESS RECIPRO SAW

| Item | Parts No. | Description | I/C | Qty | New/Old | Opt. 1 | Opt. 2 | Note |
|-------|-----------|---------------------------|-----|-----|---------|--------|--------|------|
| 060 | 183C48-6 | HANDLE SET | | 1 | * | | | |
| C10 | 263005-3 | RUBBER PIN 6 | | 2 | * | | | |
| D10 | | INC. 56 | | | * | | | |
| 060-1 | 183C49-4 | HANDLE SET | S | 1 | | | | |
| C10 | 263005-3 | RUBBER PIN 6 | | 2 | | | | |
| D10 | | INC. 56 | | | | | | |
| 061 | 643829-7 | HOLDER CAP | | 2 | | | | |
| 062 | 194435-6 | CARBON BRUSH CB-441 | | 1 | | | | |
| 063 | 643507-9 | BRUSH HOLDER | | 1 | | | | |
| 064 | 643508-7 | BRUSH HOLDER | | 1 | | | | |
| 065 | 911011-9 | PAN HEAD SCREW M3X10 | | 1 | | | | |
| 066 | 689204-3 | HEAT SINK | | 1 | | | | |
| 067 | 123510-1 | SLIDER ASSEMBLY | | 1 | * | | | |
| D10 | | INC. 1-16 | | | * | | | |
| 067-1 | 127397-3 | SLIDER ASSEMBLY | < | 1 | | | | |
| D10 | | INC. 1-16 | | | | | | |
| 068 | 688131-1 | LINE FILTER | | 1 | | | | |
| 069 | 424858-7 | FELT 16X16 | | 1 | | | | |
| A01 | B-05169 | RECIPROSAWBLADE FOR METAL | | 1 | | | | |
| A02 | B-05175 | RECIPROSAWBLADE FOR WOOD | | 1 | | | | |

Please order the parts with part number.

Print Date 26/3/2020