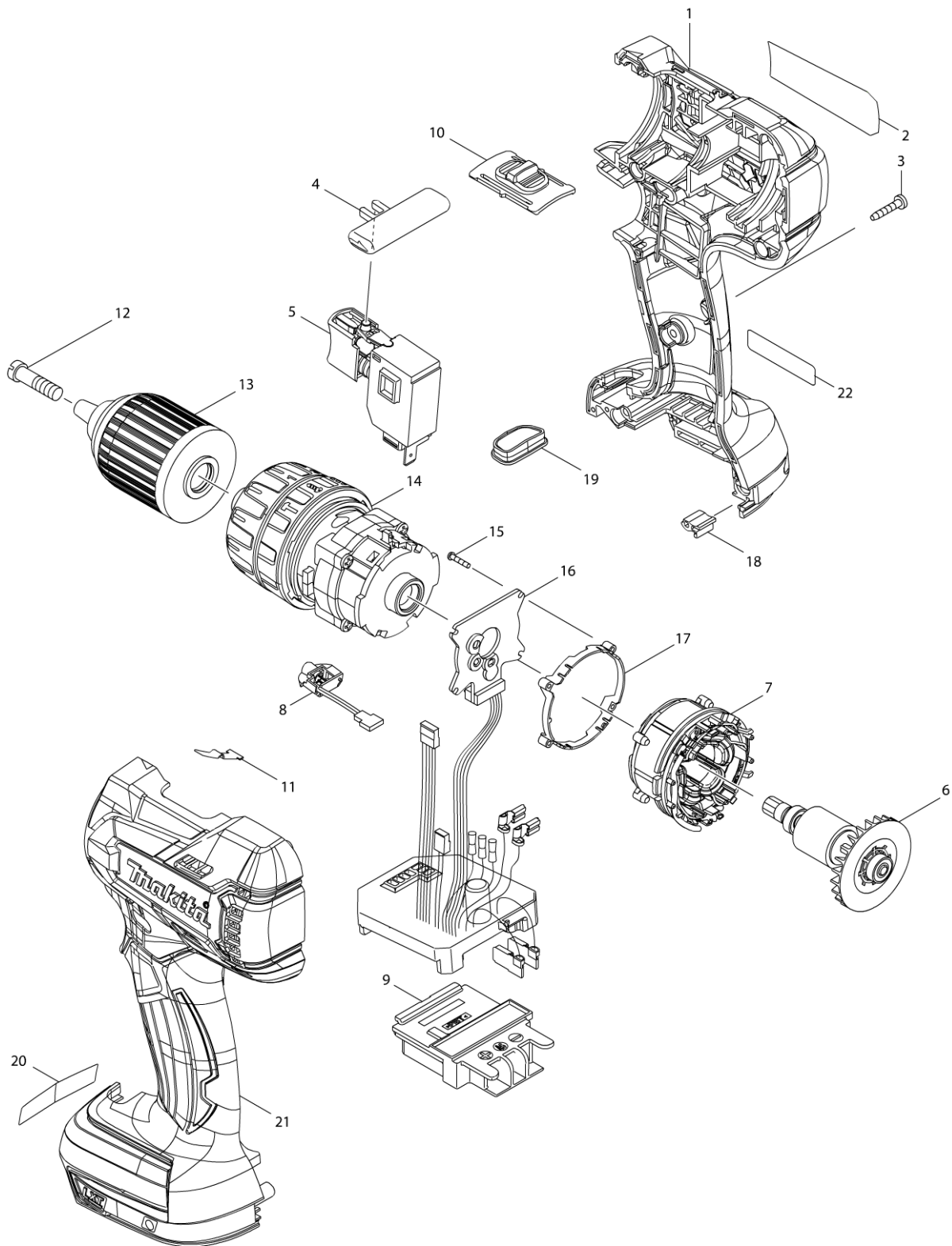


Model No. DHP480 CORDLESS HAMMER DRIVER DRILL



Model No. DHP480 CORDLESS HAMMER DRIVER DRILL

| Item | Parts No. | Description | I/C | Qty | N/O | Opt. 1 | Opt. 2 | Note |
|--------|-----------|-------------------------------|-----|-----|-----|--------|--------|------|
| 001 | 187714-9 | HOUSING SET | | 1 | | | | |
| C10 | 263005-3 | RUBBER PIN 6 | | 2 | | | | |
| D10 | | INC. 21 | | | | | | |
| 002 | 814X16-1 | DHP480 NAME PLATE | | 1 | | | | |
| 003 | 266429-2 | TAPPING SCREW 3X16 | | 9 | | | | |
| 004 | 419250-0 | F/R CHANGE LEVER | | 1 | | | | |
| 005 | 650710-5 | SWITCH C3JW-4B | | 1 | | | | |
| 006 | 619331-2 | ROTOR | | 1 | | | | |
| 007 | 629999-6 | STATOR | | 1 | | | | |
| 008 | 620244-2 | LED CIRCUIT | | 1 | | | | |
| 009 | 643860-3 | TERMINAL | | 1 | | | | |
| 010 | 126180-5 | SPEED CHANGE LEVER ASSEMBLY | | 1 | | | | |
| C10 | 233438-6 | COMPRESSION SPRING 4 | | 2 | | | | |
| 011 | 232182-2 | LEAF SPRING | | 1 | | | | |
| 012 | 251468-5 | - FLAT HEAD SCREW M6X22 | | 1 | | | | |
| 013 | 763175-3 | KEYLESS DRILL CHUCK 13 | | 1 | | | | |
| 014 | 126353-0 | GEAR ASSEMBLY | | 1 | | | | |
| 015 | 266786-8 | + PAN HEAD TAPPING SCREW 2X10 | | 4 | | | | |
| 016 | 620245-0 | CONTROLLER | | 1 | | | | |
| 017 | 687464-1 | SUPPORT | | 1 | | | | |
| 018 | 424517-3 | CUSHION | | 1 | | | | |
| 019 | 142263-3 | INDICATOR PANEL COMPLETE | | 1 | | | | |
| 021 | 187714-9 | HOUSING SET | | 1 | | | | |
| C10 | 263005-3 | RUBBER PIN 6 | | 2 | | | | |
| D10 | | INC. 1 | | | | | | |
| A01 | 251314-2 | + SCREW M4X12 | | 1 | | | | |
| A02A | 346317-0 | HOOK | | 1 | | | | |
| A02B | 346317-0 | HOOK | | 1 | | | | |
| A02C | 346449-3 | HOOK | | 1 | | | | |
| A03 | 784637-8 | +-. BIT 2-45 | | 1 | | | | |
| A04B | ***DC18RC | DC18RC FAST CHARGER | | 1 | | | | |
| A04C | ***DC18RC | DC18RC FAST CHARGER | | 1 | | | | |
| A05B | 196399-0 | BATTERY BL1840 SET | | 2 | * | | | |
| A05C | 196460-3 | BATTERY BL1820 SET | | 2 | | | | |
| A05-1B | 196399-0 | BATTERY BL1840 SET | ○ | 2 | | | | |
| A06B | 450128-8 | BATTERY COVER | | 1 | | | | |
| A06C | 450128-8 | BATTERY COVER | | 1 | | | | |
| A07B | 821550-0 | CONNECTOR PLASTIC CASE (TYPE2 | | 1 | | | | |
| C10 | 453974-8 | LATCH | | 4 | | | | |
| A07C | 821550-0 | CONNECTOR PLASTIC CASE (TYPE2 | | 1 | | | | |
| C10 | 453974-8 | LATCH | | 4 | | | | |
| A08B | 837679-2 | INNER TRAY | | 1 | * | | | |
| A08C | 837863-9 | INNER TRAY | | 1 | | | | |
| A08-1B | 837916-4 | INNER TRAY | < | 1 | | | | |
| A09B | 802F98-7 | DHP480RMJ PLASTIC CASE LABEL | | 2 | | | | |
| A09C | 802F96-1 | DHP480RAJ PLASTIC CASE LABEL | | 2 | | | | |
| A10B | 802F97-9 | DHP480RMJ INDICATION LABEL | | 1 | | | | |
| A10C | 802F95-3 | DHP480RAJ INDICATION LABEL | | 1 | | | | |

Please order the parts with a part number.

Print Date 16/03/2015