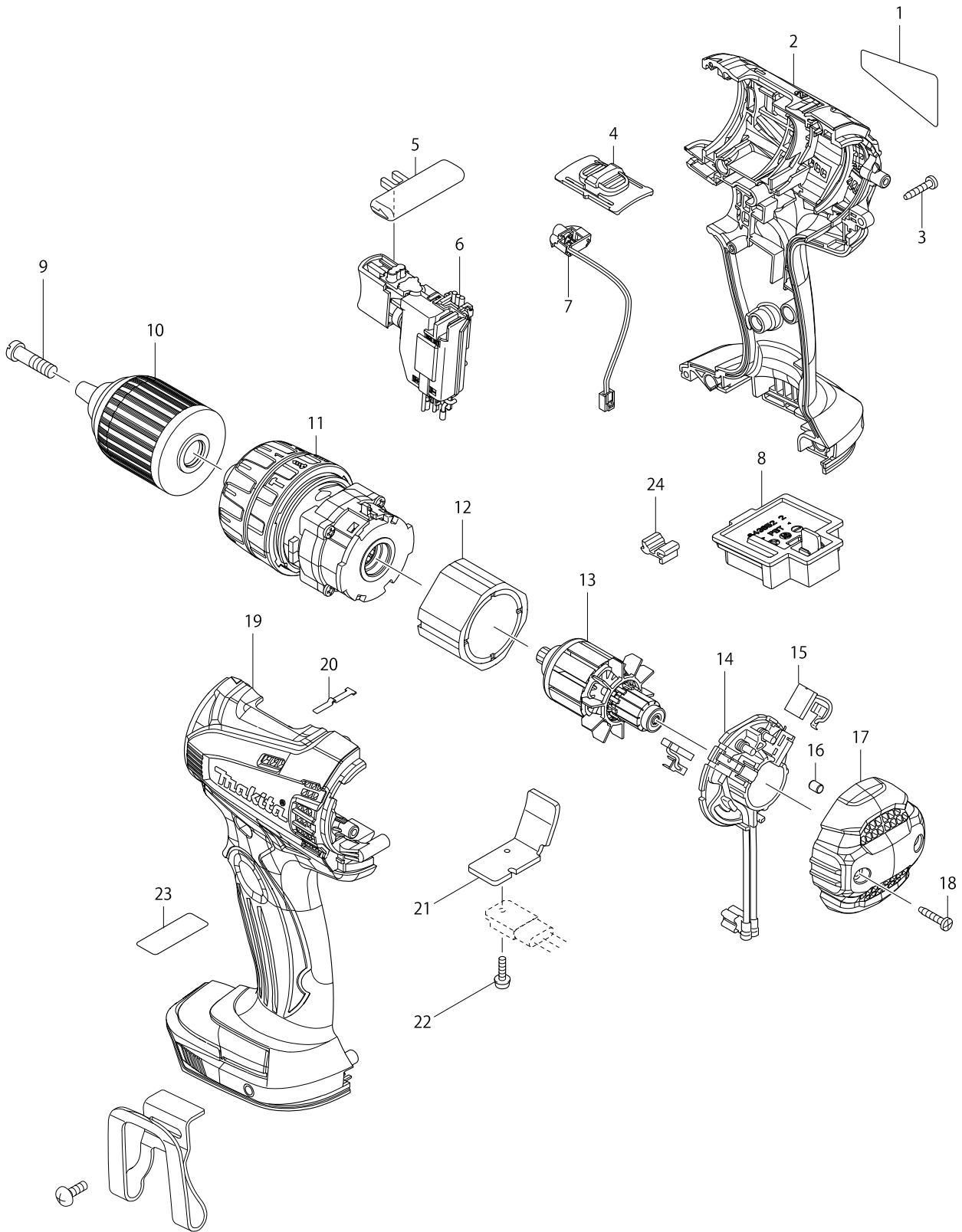


# Model No. DHP456 CORDLESS HAMMER DRIVER DRILL



# Model No. DHP456 CORDLESS HAMMER DRIVER DRILL

Item	Parts No.	Description	I/C	Qty	N/O	Opt. 1	Opt. 2	Note
001	815C81-7	DHP456 NAME PLATE		1				
002	188971-2	HOUSING SET		1				
C10	263005-3	RUBBER PIN 6		2				
D10		INC. 19						
003	266429-2	TAPPING SCREW 3X16		9				
004	126289-3	SPEED CHANGE LEVER ASSEMBLY		1				
C10	233438-6	COMPRESSION SPRING 4		2				
005	419250-0	F/R CHANGE LEVER		1				
006	650637-9	SWITCH		1	*			
006-1	650731-7	SWITCH C3HZ-1A-TLMS	<	1				
007	620012-3	LED CIRCUIT		1	*			
007-1	620388-8	LED CIRCUIT	O	1				
008	643852-2	TERMINAL		1				
009	251468-5	- FLAT HEAD SCREW M6X22		1				
010	763175-3	KEYLESS DRILL CHUCK 13		1				
011	125848-0	GEAR ASSEMBLY		1	*			
011-1	126460-9	GEAR ASSEMBLY	<	1				
012	638425-4	YOKE UNIT		1				
013	619263-3	ARMATURE		1				
014	638845-2	BRUSH HOLDER COMPLETE		1				
015	194427-5	CARBON BRUSH CB-440		1				
016	263032-0	RUBBER PIN 4		2				
017	452205-2	REAR COVER		1				
018	266429-2	TAPPING SCREW 3X16		2				
019	188971-2	HOUSING SET		1				
C10	263005-3	RUBBER PIN 6		2				
D10		INC. 2						
020	232182-2	LEAF SPRING		1				
021	689170-4	HEAT SINK		1				
022	911013-5	PAN HEAD SCREW M3X10		1				
024	424476-1	CUSHION		1				
A01	251314-2	+ SCREW M4X12		1				
A02A	346317-0	HOOK		1				
A02B	346449-3	HOOK		1				
A02C	346449-3	HOOK		1				
A02F	346317-0	HOOK		1				
A02G	346449-3	HOOK		1				
A02H	346317-0	HOOK		1				
A02I	346449-3	HOOK		1				
A02J	346317-0	HOOK		1				
A02K	346317-0	HOOK		1				
A02L	346449-3	HOOK		1				
A03	784637-8	+/- BIT 2-45		1				
A04A	140354-4	PLASTIC CASE COMPLETE		1				
C10	419216-0	HANDLE		1				
C20	417724-5	LATCH		2				
C30	419268-1	PLASTIC CASE LID		1				
C40	419269-9	PLATE		5				

# Model No. DHP456 CORDLESS HAMMER DRIVER DRILL

Item	Parts No.	Description	I/C	Qty	N/O	Opt. 1	Opt. 2	Note
C50	324667-3	SHAFT		1				
A04C	141856-3	PLASTIC CARRYING CASE COMPLETE		1				
C10	162302-3	LATCH		2				
C20	324207-7	SHAFT		1				
C30	451749-9	HANDLE		1				
A04F	821550-0	CONNECTOR PLASTIC CASE (TYPE2)		1				
C10	453974-8	LATCH		4				
A04G	821550-0	CONNECTOR PLASTIC CASE (TYPE2)		1				
C10	453974-8	LATCH		4				
A04H	140354-4	PLASTIC CASE COMPLETE		1				
C10	419216-0	HANDLE		1				
C20	417724-5	LATCH		2				
C30	419268-1	PLASTIC CASE LID		1				
C40	419269-9	PLATE		5				
C50	324667-3	SHAFT		1				
A04I	141856-3	PLASTIC CARRYING CASE COMPLETE		1				
C10	162302-3	LATCH		2				
C20	324207-7	SHAFT		1				
C30	451749-9	HANDLE		1				
A04J	821550-0	CONNECTOR PLASTIC CASE (TYPE2)		1				
C10	453974-8	LATCH		4				
A04K	821550-0	CONNECTOR PLASTIC CASE (TYPE2)		1				
C10	453974-8	LATCH		4				
A04L	141856-3	PLASTIC CARRYING CASE COMPLETE		1				
C10	162302-3	LATCH		2				
C20	324207-7	SHAFT		1				
C30	451749-9	HANDLE		1				
A05A	450128-8	BATTERY COVER		1				
A05C	450128-8	BATTERY COVER		1				
A05F	450128-8	BATTERY COVER		1				
A05G	837916-4	INNER TRAY		1				
A05H	450128-8	BATTERY COVER		1				
A05I	450128-8	BATTERY COVER		1				
A05J	450128-8	BATTERY COVER		1				
A05K	450128-8	BATTERY COVER		2				
A05L	450128-8	BATTERY COVER		1				
A06A	***DC18RC	DC18RC FAST CHARGER		1				
A06C	***DC18RC	DC18RC FAST CHARGER		1				
A06F	***DC18RC	DC18RC FAST CHARGER		1				
A06G	802R19-1	DHP456ZJ INDICATION LABEL		1				
A06H	***DC18RC	DC18RC FAST CHARGER		1				
A06I	***DC18RC	DC18RC FAST CHARGER		1				
A06J	***DC18RC	DC18RC FAST CHARGER		1				
A06K	***DC18RC	DC18RC FAST CHARGER		1				
A06L	***DC18RC	DC18RC FAST CHARGER		1				
A07A	194204-5	BATTERY BL1830 SET		2	*			
A07C	194513-2	BATTERY BL1815 SET		2				
A07F	194204-5	BATTERY BL1830 SET		2	*			

