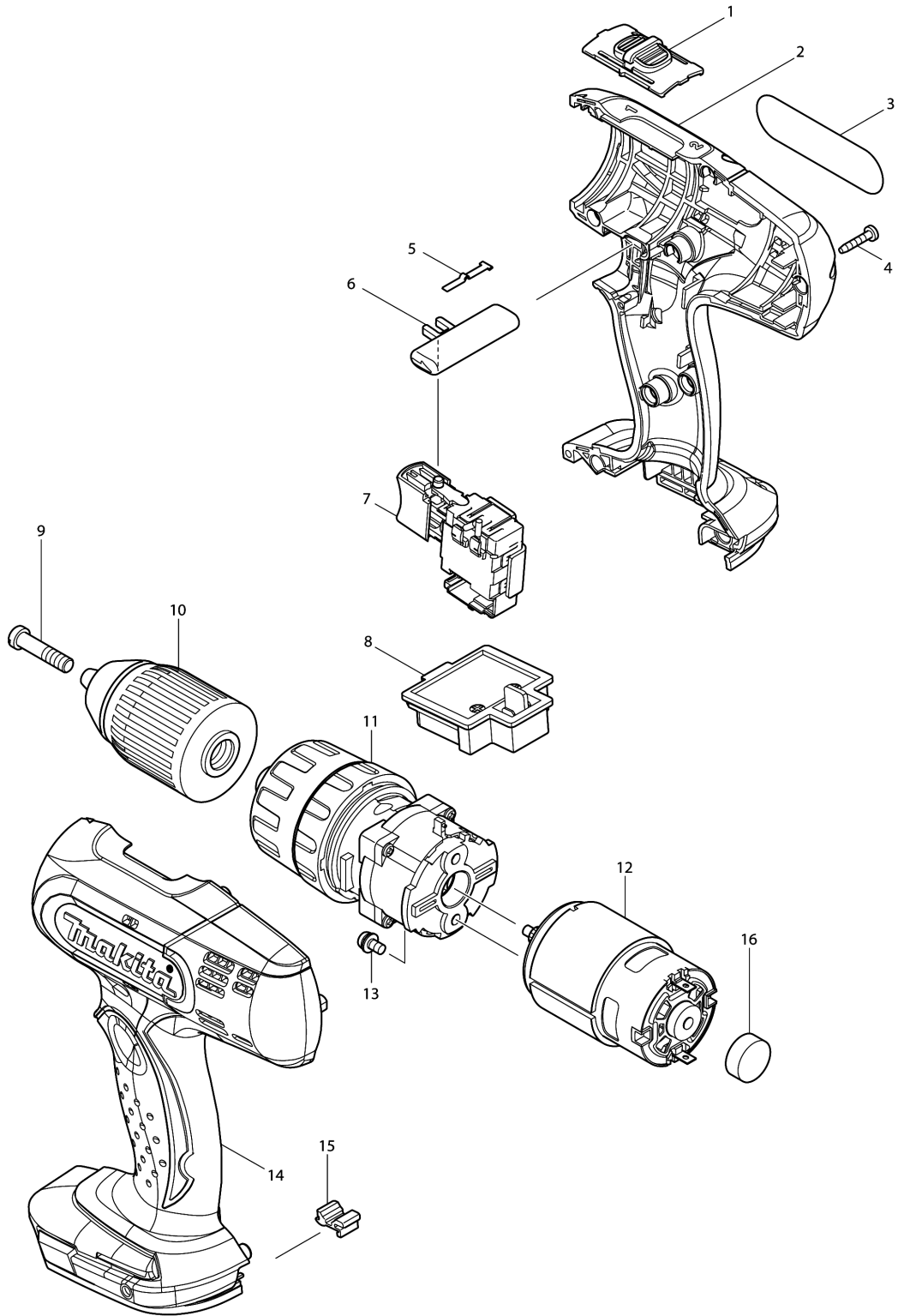


Model No.DHP453 CORDLESS PERCUSSN-DRIVER DRILL



Model No.DHP453 CORDLESS PERCUSSN-DRIVER DRILL

Item	Parts No.	Description	I/C	Qty	New/Old	Opt. 1	Opt. 2	Note
001	125310-5	SPEED CHANGE LEVER ASS'Y		1				
C10	231433-0	COMPRESSION SPRING 4		2				
002	187363-2	HOUSING SET		1				
C10	263005-3	RUBBER PIN 6		2				
D10		INC. 14						
003	815J03-9	DHP453 NAME PLATE		1				
004	266130-9	TAPPING SCREW BIND PT 3X16		9				
005	232182-2	LEAF SPRING		1				
006	419250-0	F/R CHANGE LEVER		1				
007	632A23-2	SWITCH UNIT		1				
008	643852-2	TERMINAL		1				
009	251468-5	- FLAT HEAD SCREW M6X22		1				
010	766004-9	KEYLESS DRILL CHUCK 13		1				
011	125485-0	GEAR ASS'Y		1				
012	629937-8	DC MOTOR		1				
013	911108-4	PAN HEAD SCREW M4X8		2				
014	187363-2	HOUSING SET		1				
C10	263005-3	RUBBER PIN 6		2				
D10		INC. 2						
015	424476-1	CUSHION		1				
016	421940-3	CAP		1				
A01	784636-0	+- BIT 2-65		1				
A02A	***DC18RC	DC18RC FAST CHARGER		1				
A02B	***DC18SD	DC18SD BATTERY CHARGER		1				
A02C	***DC18SD	DC18SD BATTERY CHARGER		1				
A02E	***DC18RC	DC18RC FAST CHARGER		1				
A02F	***DC18SD	DC18SD BATTERY CHARGER		1				
A02G	***DC18SD	DC18SD BATTERY CHARGER		1				
A02H	***DC18RC	DC18RC FAST CHARGER		1				
A02I	***DC18SD	DC18SD BATTERY CHARGER		1				
A02J	***DC18SD	DC18SD BATTERY CHARGER		1				
A02K	***DC18RC	DC18RC FAST CHARGER		1				
A02L	***DC18SD	DC18SD BATTERY CHARGER		1				
A02M	***DC18RC	DC18RC FAST CHARGER		1				
A02N	***DC18SD	DC18SD BATTERY CHARGER		1				
A02O	***DC18SD	DC18SD BATTERY CHARGER		1				
A03A	194204-5	BATTERY BL1830 SET		2	*			
A03B	194513-2	BATTERY BL1815 SET		2				
A03C	194513-2	BATTERY BL1815 SET		2				
A03E	194513-2	BATTERY BL1815 SET		2				
A03F	196235-0	BATTERY BL1815N SET		2	*			
A03G	196235-0	BATTERY BL1815N SET		2	*			

Please order the parts with part number.

Print Date 26/3/2020

Model No.DHP453 CORDLESS PERCUSSN-DRIVER DRILL

Item	Parts No.	Description	I/C	Qty	New/Old	Opt. 1	Opt. 2	Note
A03H	196460-3	BATTERY BL1820 SET		2	*			
A03I	194513-2	BATTERY BL1815 SET		2				
A03J	194513-2	BATTERY BL1815 SET		2				
A03K	196235-0	BATTERY BL1815N SET		2	*			
A03L	196235-0	BATTERY BL1815N SET		2	*			
A03M	196460-3	BATTERY BL1820 SET		2	*			
A03-1A	194204-5	BATTERY BL1830 SET	O	2	*			
A03-1F	196235-0	BATTERY BL1815N SET	O	2				
A03-1G	196235-0	BATTERY BL1815N SET	O	2				
A03-1H	197254-9	BATTERY BL1820B SET	<	2	*			
A03-1K	196235-0	BATTERY BL1815N SET	O	2				
A03-1L	196235-0	BATTERY BL1815N SET	O	2				
A03-1M	197254-9	BATTERY BL1820B SET	<	2	*			
A03-2A	197600-6	BATTERY BL1830B SET	<	2	*			
A03-2H	197254-9	BATTERY BL1820B SET	O	2				
A03-2M	197254-9	BATTERY BL1820B SET	O	2				
A03-3A	197600-6	BATTERY BL1830B SET	O	2				
A03-3N	197600-6	BATTERY BL1830B SET		2				
A03-3O	197600-6	BATTERY BL1830B SET		1				
A04A	450128-8	BATTERY COVER		1				
A04B	450128-8	BATTERY COVER		1				
A04C	450128-8	BATTERY COVER		1				
A04E	450128-8	BATTERY COVER		1				
A04F	450128-8	BATTERY COVER		1				
A04G	450128-8	BATTERY COVER		1				
A04H	450128-8	BATTERY COVER		1				
A04I	450128-8	BATTERY COVER		1				
A04K	450128-8	BATTERY COVER		1				
A04L	450128-8	BATTERY COVER		1				
A04M	450128-8	BATTERY COVER		1				
A04N	450128-8	BATTERY COVER		1				
A05A	158777-2	PLASTIC CARRYING CASE		1				
C10	163455-1	LATCH		2				
C20	419360-3	HANDLE		1				
A05B	158777-2	PLASTIC CARRYING CASE		1				
C10	163455-1	LATCH		2				
C20	419360-3	HANDLE		1				
A05C	194686-1	TOOL CHEST		1				
A05E	821550-0	CONNECTOR PLASTIC CASE (TYPE2)		1				
C10	453974-8	LATCH		4				
A05F	158777-2	PLASTIC CARRYING CASE		1				
C10	163455-1	LATCH		2				

Please order the parts with part number.

Print Date 26/3/2020

Model No.DHP453 CORDLESS PERCUSSN-DRIVER DRILL

Item	Parts No.	Description	I/C	Qty	New/Old	Opt. 1	Opt. 2	Note
C20	419360-3	HANDLE		1				
A05G	194686-1	TOOL CHEST		1				
A05H	158777-2	PLASTIC CARRYING CASE		1				
C10	163455-1	LATCH		2				
C20	419360-3	HANDLE		1				
A05I	821550-0	CONNECTOR PLASTIC CASE (TYPE2)		1				
C10	453974-8	LATCH		4				
A05J	821550-0	CONNECTOR PLASTIC CASE (TYPE2)		1				
C10	453974-8	LATCH		4				
A05K	821550-0	CONNECTOR PLASTIC CASE (TYPE2)		1				
C10	453974-8	LATCH		4				
A05L	824754-3	PLASTIC CASE		1				
C10	419216-0	HANDLE		1				
C20	417724-5	LATCH		2				
C30	419268-1	PLASTIC CASE LID		1				
C40	419269-9	PLATE		5				
C50	324667-3	SHAFT		1				
A05M	821550-0	CONNECTOR PLASTIC CASE (TYPE2)		1				
C10	453974-8	LATCH		4				
A05N	821695-4	PLASTIC CASE		1				
C10	452143-8	SHAFT		2				
C20	455522-9	SLIDE LATCH		2				
A05O	821695-4	PLASTIC CASE		1				
C10	452143-8	SHAFT		2				
C20	455522-9	SLIDE LATCH		2				
A06E	837863-9	INNER TRAY		1				
A06I	837863-9	INNER TRAY		1				
A06J	837916-4	INNER TRAY		1				
A06K	837863-9	INNER TRAY		1				
A06L	803E48-9	DHP453SYLE PLASTIC CASE LABEL		1				
A06M	837863-9	INNER TRAY		1				
A06N	D-52299	74PCS. BIT SET, MM, TYPE MZ		1				
A06O	D-52299	74PCS. BIT SET, MM, TYPE MZ		1				
A07E	803E29-3	DHP453RHJ INDICATION LABEL		1				
A07I	803E31-6	DHP453SHJ INDICATION LABEL		1				
A07J	803E39-0	DHP453SHLJ INDICATION LABEL		1				
A07K	803E30-8	DHP453RYJ INDICATION LABEL		1				

Model No.DHP453 CORDLESS PERCUSSN-DRIVER DRILL

Item	Parts No.	Description	I/C	Qty	New/Old	Opt. 1	Opt. 2	Note
A07L	DEZML186	18V L.E.D. FLASH LIGHT (BULK)		1	*			
A07M	803E41-3	DHP453RAJ INDICATION LABEL		1				
A07-1L	DEZDML186	L.E.D. FLASHLIGHT (BULK/EUR)	<	1				
A08E	803E33-2	DHP453RHJ PLASTIC CASE LABEL		2				
A08I	803E35-8	DHP453SHJ PLASTIC CASE LABEL		2				
A08J	803E40-5	DHP453SHLJ PLASTIC CASE LABEL		2				
A08K	803E34-0	DHP453RYJ PLASTIC CASE LABEL		2				
A08M	803E42-1	DHP453RAJ PLASTIC CASE LABEL		2				
A09J	DEZML186	18V L.E.D. FLASH LIGHT (BULK)		1	*			
A09-1J	DEZDML186	L.E.D. FLASHLIGHT (BULK/EUR)	<	1				
E02	688165-4	LINE FILTER		1				

Please order the parts with part number.

Print Date 26/3/2020