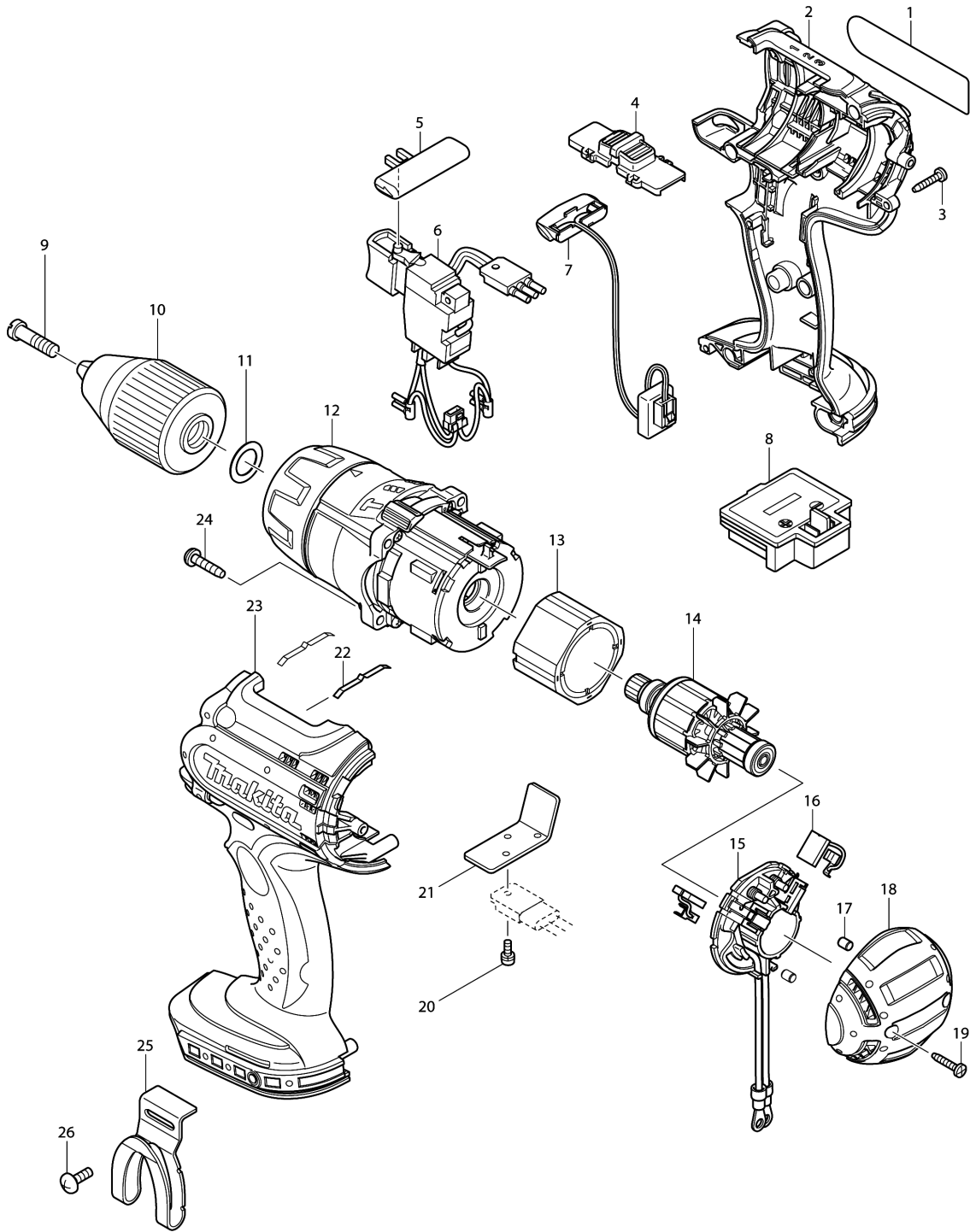


Model No.DHP451 CORDLESS PERCUSSION-DRIVER DRILL



Model No.DHP451 CORDLESS PERCUSSN-DRIVER DRILL

Item	Parts No.	Description	I/C	Qty	New/Old	Opt. 1	Opt. 2	Note
001	815C92-2	DHP451 NAME PLATE		1				
002	187142-8	HOUSING SET		1	*			
D10		INC. 23			*			
002-1	183G51-1	HOUSING SET	<	1				
C10	263005-3	RUBBER PIN 6		2				
D10		INC. 23						
003	266130-9	TAPPING SCREW BIND PT 3X16		8				
004	125435-5	SPEED CHANGE LEVER ASS'Y		1				
C10	233438-6	COMPRESSION SPRING 4		2				
005	419250-0	F/R CHANGE LEVER		1				
006	650653-1	SWITCH TG553FSB-4B		1				
007	631692-0	LIGHT CIRCUIT		1				
008	644808-8	TERMINAL		1				
009	251468-5	- FLAT HEAD SCREW M6X22		1				
010	763196-5	KEYLESS DRILL CHUCK 13		1				
011	253798-0	FLAT WASHER 13		1				
012	125430-5	GEAR ASS'Y		1				
C10	419558-2	SPEED CHANGE RING		1				
C20	268199-9	PIN 1.4		2				
C30	450385-8	CHANGE LEVER		1				
013B	638425-4	YOKE UNIT		1	*			
013D	638425-4	YOKE UNIT		1	*			
013E	638425-4	YOKE UNIT		1	*			
013F	638425-4	YOKE UNIT		1	*			
013G	638425-4	YOKE UNIT		1	*			
013-1B	632J71-5	YOKE UNIT	<	1				
013-1D	632J71-5	YOKE UNIT	<	1				
013-1E	632J71-5	YOKE UNIT	<	1				
013-1F	632J71-5	YOKE UNIT	<	1				
013-1G	632J71-5	YOKE UNIT	<	1				
013-1H	632J71-5	YOKE UNIT		1				
014	619165-3	ARMATURE		1				
015	638849-4	BRUSH HOLDER COMPLETE		1				
C10	231696-8	TORSION SPRING R		1				
C20	231697-6	TORSION SPRING L		1				
016	194427-5	CARBON BRUSH SET CB-440		1				
017	263032-0	RUBBER PIN 4		2				
018	419642-3	REAR COVER		1				
019	266130-9	TAPPING SCREW BIND PT 3X16		2				
020	911006-2	PAN HEAD SCREW M3X8		1	*			
020-1	652066-2	+PAN HEAD SCREW M3X9 WITH W	<	1				

Please order the parts with part number.

Print Date 26/3/2020

Model No.DHP451 CORDLESS PERCUSSN-DRIVER DRILL

Item	Parts No.	Description	I/C	Qty	New/Old	Opt. 1	Opt. 2	Note
021	689145-3	HEATSINK		1				
022	232220-0	LEAF SPRING		2				
023	187142-8	HOUSING SET		1	*			
D10		INC. 2			*			
023-1	183G51-1	HOUSING SET	<	1				
C10	263005-3	RUBBER PIN 6		2				
D10		INC. 2						
024	266045-0	TAPPING SCREW 4X20		4				
025	346317-0	HOOK		1				
026	251314-2	+ SCREW M4X12		1				
A01	122576-8	STOPPER POLE ASS'Y		1				
C10	286226-0	CAP 20		1				
C20	322223-3	DEPTH ROD		1				
A02B	123168-6	GRIP ASSEMBLY		1	*			
C10	154835-2	GRIP36 COMPLETE		1	*			
C20	251812-6	SCREW M5X10		1	*			
C30	266724-0	SQUARE BOLT M8X75		1	*			
C40	345463-6	GRIP SPRING 60		1	*			
C50	453037-0	GRIP BASE 60		1	*			
C60	931202-6	HEX. NUT M5		1	*			
A02D	123168-6	GRIP ASSEMBLY		1	*			
C10	154835-2	GRIP36 COMPLETE		1	*			
C20	251812-6	SCREW M5X10		1	*			
C30	266724-0	SQUARE BOLT M8X75		1	*			
C40	345463-6	GRIP SPRING 60		1	*			
C50	453037-0	GRIP BASE 60		1	*			
C60	931202-6	HEX. NUT M5		1	*			
A02E	123168-6	GRIP ASSEMBLY		1	*			
C10	154835-2	GRIP36 COMPLETE		1	*			
C20	251812-6	SCREW M5X10		1	*			
C30	266724-0	SQUARE BOLT M8X75		1	*			
C40	345463-6	GRIP SPRING 60		1	*			
C50	453037-0	GRIP BASE 60		1	*			
C60	931202-6	HEX. NUT M5		1	*			
A02F	123168-6	GRIP ASSEMBLY		1	*			
C10	154835-2	GRIP36 COMPLETE		1	*			
C20	251812-6	SCREW M5X10		1	*			
C30	266724-0	SQUARE BOLT M8X75		1	*			
C40	345463-6	GRIP SPRING 60		1	*			
C50	453037-0	GRIP BASE 60		1	*			
C60	931202-6	HEX. NUT M5		1	*			
A02G	123168-6	GRIP ASSEMBLY		1	*			

Please order the parts with part number.

Print Date 26/3/2020

Model No.DHP451 CORDLESS PERCUSSN-DRIVER DRILL

Item	Parts No.	Description	I/C	Qty	New/Old	Opt. 1	Opt. 2	Note
C10	154835-2	GRIP36 COMPLETE		1	*			
C20	251812-6	SCREW M5X10		1	*			
C30	266724-0	SQUARE BOLT M8X75		1	*			
C40	345463-6	GRIP SPRING 60		1	*			
C50	453037-0	GRIP BASE 60		1	*			
C60	931202-6	HEX. NUT M5		1	*			
A02-1B	123253-5	GRIP ASSEMBLY	<	1				
C10	154935-8	GRIP 36 COMPLETE		1				
C20	251812-6	SCREW M5X10		1				
C30	266750-9	SQUARE BOLT M8X100		1				
C40	345463-6	GRIP SPRING 60		1				
C50	453584-1	GRIP BASE 60		1				
C60	931202-6	HEX. NUT M5		1				
A02-1D	123253-5	GRIP ASSEMBLY	<	1				
C10	154935-8	GRIP 36 COMPLETE		1				
C20	251812-6	SCREW M5X10		1				
C30	266750-9	SQUARE BOLT M8X100		1				
C40	345463-6	GRIP SPRING 60		1				
C50	453584-1	GRIP BASE 60		1				
C60	931202-6	HEX. NUT M5		1				
A02-1E	123253-5	GRIP ASSEMBLY	<	1				
C10	154935-8	GRIP 36 COMPLETE		1				
C20	251812-6	SCREW M5X10		1				
C30	266750-9	SQUARE BOLT M8X100		1				
C40	345463-6	GRIP SPRING 60		1				
C50	453584-1	GRIP BASE 60		1				
C60	931202-6	HEX. NUT M5		1				
A02-1F	123253-5	GRIP ASSEMBLY	<	1				
C10	154935-8	GRIP 36 COMPLETE		1				
C20	251812-6	SCREW M5X10		1				
C30	266750-9	SQUARE BOLT M8X100		1				
C40	345463-6	GRIP SPRING 60		1				
C50	453584-1	GRIP BASE 60		1				
C60	931202-6	HEX. NUT M5		1				
A02-1G	123253-5	GRIP ASSEMBLY	<	1				
C10	154935-8	GRIP 36 COMPLETE		1				
C20	251812-6	SCREW M5X10		1				
C30	266750-9	SQUARE BOLT M8X100		1				
C40	345463-6	GRIP SPRING 60		1				
C50	453584-1	GRIP BASE 60		1				
C60	931202-6	HEX. NUT M5		1				
A02-1H	123253-5	GRIP ASSEMBLY		1				

Please order the parts with part number.

Print Date 26/3/2020

Model No.DHP451 CORDLESS PERCUSSN-DRIVER DRILL

Item	Parts No.	Description	I/C	Qty	New/Old	Opt. 1	Opt. 2	Note
C10	154935-8	GRIP 36 COMPLETE		1				
C20	251812-6	SCREW M5X10		1				
C30	266750-9	SQUARE BOLT M8X100		1				
C40	345463-6	GRIP SPRING 60		1				
C50	453584-1	GRIP BASE 60		1				
C60	931202-6	HEX. NUT M5		1				
A03	251314-2	+ SCREW M4X12		1				
A04	452947-8	BIT HOLDER		1				
A05	784637-8	+ - BIT 2-45		2				
A06B	140354-4	PLASTIC CASE COMPLETE		1				
C10	419216-0	HANDLE		1				
C20	417724-5	LATCH		2				
C30	419268-1	PLASTIC CASE LID		1				
C40	419269-9	PLATE		5				
C50	324667-3	SHAFT		1				
A06D	821550-0	CONNECTOR PLASTIC CASE (TYPE2)		1				
C10	453974-8	LATCH		4				
A06E	821550-0	CONNECTOR PLASTIC CASE (TYPE2)		1				
C10	453974-8	LATCH		4				
A06F	140354-4	PLASTIC CASE COMPLETE		1				
C10	419216-0	HANDLE		1				
C20	417724-5	LATCH		2				
C30	419268-1	PLASTIC CASE LID		1				
C40	419269-9	PLATE		5				
C50	324667-3	SHAFT		1				
A06G	821550-0	CONNECTOR PLASTIC CASE (TYPE2)		1				
C10	453974-8	LATCH		4				
A07B	450128-8	BATTERY COVER		1				
A07D	450128-8	BATTERY COVER		1				
A07E	837916-4	INNER TRAY		1				
A07F	450128-8	BATTERY COVER		1				
A07G	450128-8	BATTERY COVER		1				
A08B	***DC18RC	DC18RC FAST CHARGER		1				
A08D	***DC18RC	DC18RC FAST CHARGER		1				
A08E	802R65-4	DHP451ZJ PLASTIC CASE LABEL		2				
A08F	***DC18RC	DC18RC FAST CHARGER		1				
A08G	***DC18RC	DC18RC FAST CHARGER		1				
A09B	194204-5	BATTERY BL1830 SET		2	*			
A09D	194204-5	BATTERY BL1830 SET		2	*			
A09E	802R77-7	DHP451ZJ INDICATION LABEL		1				

Model No.DHP451 CORDLESS PERCUSSN-DRIVER DRILL

Item	Parts No.	Description	I/C	Qty	New/Old	Opt. 1	Opt. 2	Note
A09F	196399-0	BATTERY BL1840 SET		2	*			
A09G	196399-0	BATTERY BL1840 SET		2	*			
A09-1B	194204-5	BATTERY BL1830 SET	O	2	*			
A09-1D	194204-5	BATTERY BL1830 SET	O	2	*			
A09-1F	196399-0	BATTERY BL1840 SET	O	2	*			
A09-1G	196399-0	BATTERY BL1840 SET	O	2	*			
A09-2B	197600-6	BATTERY BL1830B SET	<	2	*			
A09-2D	197600-6	BATTERY BL1830B SET	<	2	*			
A09-2F	197265-4	BATTERY BL1840B SET	<	2	*			
A09-2G	197265-4	BATTERY BL1840B SET	<	2	*			
A09-3B	197600-6	BATTERY BL1830B SET	O	2				
A09-3D	197600-6	BATTERY BL1830B SET	O	2				
A09-3F	197265-4	BATTERY BL1840B SET	O	2				
A09-3G	197265-4	BATTERY BL1840B SET	O	2				
A10B	802R72-7	DHP451RFE PLASTIC CASE LABEL		1				
A10D	837916-4	INNER TRAY		1				
A10F	802R67-0	DHP451RME PLASTIC CASE LABEL		1				
A10G	837916-4	INNER TRAY		1				
A11D	802R64-6	DHP451RFJ PLASTIC CASE LABEL		2	*			
A11G	802R85-8	DHP451RMJ INDICATION LABEL		1				
A11-1D	808V67-2	DHP451RFJ PLASTIC CASE LABEL	<	2				
A12D	802R76-9	DHP451RFJ INDICATION LABEL		1				
A12G	802R86-6	DHP451RMJ PLASTIC CASE LABEL		2				

Please order the parts with part number.

Print Date 26/3/2020