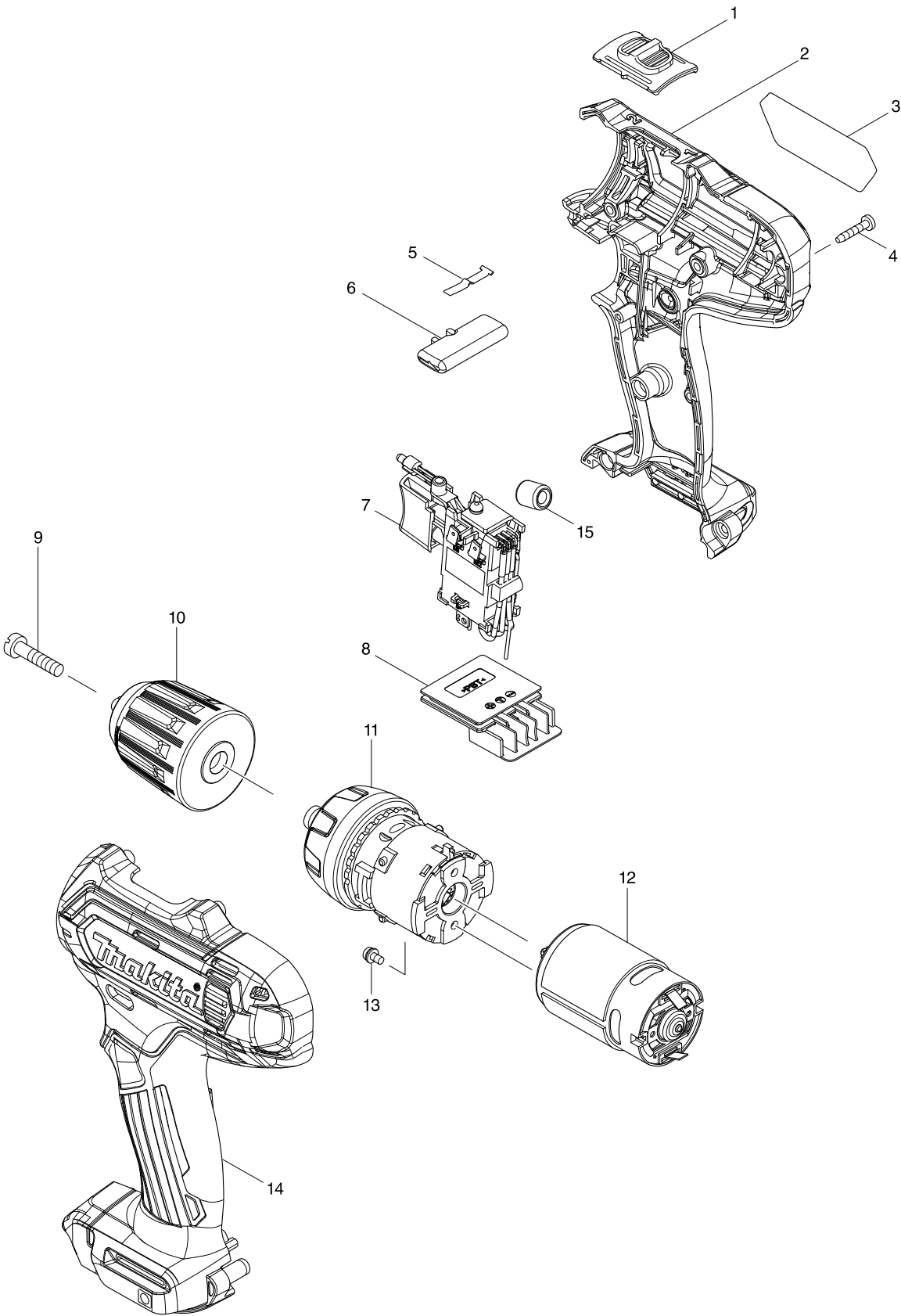


Model No. DF331D CORDLESS DRIVER DRILL



Model No. DF331D CORDLESS DRIVER DRILL

Item	Parts No.	Description	I/C	Qty	N/O	Opt. 1	Opt. 2	Note
001	126233-0	SPEED CHANGE LEVER ASSEMBLY		1				
C10	231433-0	COMPRESSION SPRING 4		2				
C10	252126-6	HEX. LOCKING NUT M4-7		2				
D10		INC. 14						
002A	183B50-3	HOUSING SET		1				
002B	183B50-3	HOUSING SET		1				
002C	183B50-3	HOUSING SET		1				
002D	183G79-9	HOUSING SET		1				
003	851H36-8	DF331D NAME PLATE		1				
004	266429-2	TAPPING SCREW 3X16		9				
005	232239-9	LEAF SPRING		1				
006	456039-5	F/R CHANGE LEVER		1				
007A	632F42-8	SWITCH UNIT		1	*			
C10	620463-0	LED CIRCUIT		1	*			
C20	632F65-6	LINE FILTER UNIT		1	*			
007B	632F42-8	SWITCH UNIT		1	*			
C10	620463-0	LED CIRCUIT		1	*			
C20	632F65-6	LINE FILTER UNIT		1	*			
007C	632F42-8	SWITCH UNIT		1	*			
C10	620463-0	LED CIRCUIT		1	*			
C20	632F65-6	LINE FILTER UNIT		1	*			
007-1A	632J76-5	SWITCH UNIT	<	1				
C10	620625-0	LED CIRCUIT		1				
C20	632F65-6	LINE FILTER UNIT		1				
007-1B	632J76-5	SWITCH UNIT	<	1				
C10	620625-0	LED CIRCUIT		1				
C20	632F65-6	LINE FILTER UNIT		1				
007-1C	632J76-5	SWITCH UNIT	<	1				
C10	620625-0	LED CIRCUIT		1				
C20	632F65-6	LINE FILTER UNIT		1				
007-1D	632J76-5	SWITCH UNIT		1				
C10	620625-0	LED CIRCUIT		1				
C20	632F65-6	LINE FILTER UNIT		1				
008	644813-5	TERMINAL		1				
009	251451-2	- PAN HEAD SCREW M5X22		1				
010	763228-8	KEYLESS DRILL CHUCK 10		1				
011	123503-8	GEAR ASS'Y		1				
012	629169-7	DC MOTOR		1				
013	911003-8	PAN HEAD SCREW M3X6		2				
C10	252126-6	HEX. LOCKING NUT M4-7		2				
D10		INC. 2						
014A	183B50-3	HOUSING SET		1				
014B	183B50-3	HOUSING SET		1				
014C	183B50-3	HOUSING SET		1				
014D	183G79-9	HOUSING SET		1				
015	688164-6	LINE FILTER		1				
A01	251314-2	+ SCREW M4X12		1				
A02	346909-5	HOOK		1				

Model No. DF331D CORDLESS DRIVER DRILL

Item	Parts No.	Description	I/C	Qty	N/O	Opt. 1	Opt. 2	Note
A03	784244-7	+ BIT 2-50		1				
A04B	456128-6	BATTERY COVER		1				
A04C	456128-6	BATTERY COVER		1				
A04D	456128-6	BATTERY COVER		1				
A05B	***DC10SA	DC10SA BATTERY CHARGER		1				
D10		COMPO-PARTS						
A05C	***DC10SA	DC10SA BATTERY CHARGER		1				
D10		COMPO-PARTS						
A05D	***DC10WC	DC10WC BATTERY CHARGER		1				
D10		COMPO-PARTS						
A06B	197394-3	BATTERY BL1020B SET		2				
A06C	197402-0	BATTERY BL1040B SET		2				
A06D	197390-1	BATTERY BL1015 SET		2				
A07B	784244-7	+ BIT 2-50		1				
A07C	784244-7	+ BIT 2-50		1				
A07D	821661-1	PLASTIC CARRYING CASE		1				
C10	417724-5	LATCH		2				
A08B	821549-5	CONNECTOR PLASTIC CASE (TYPE1)		1				
C10	453974-8	LATCH		4				
A08C	821549-5	CONNECTOR PLASTIC CASE (TYPE1)		1				
C10	453974-8	LATCH		4				
A09B	838312-9	INNER TRAY		1				
A09C	838312-9	INNER TRAY		1				
A10B	807K62-3	DF331DSAJ INDICATION LABEL		1				
A10C	807K64-9	DF331DSMJ INDICATION LABEL		1				
A11B	807K63-1	DF331DSAJ PLASTIC CASE LABEL		2				
A11C	807K65-7	DF331DSMJ PLASTIC CASE LABEL		2				