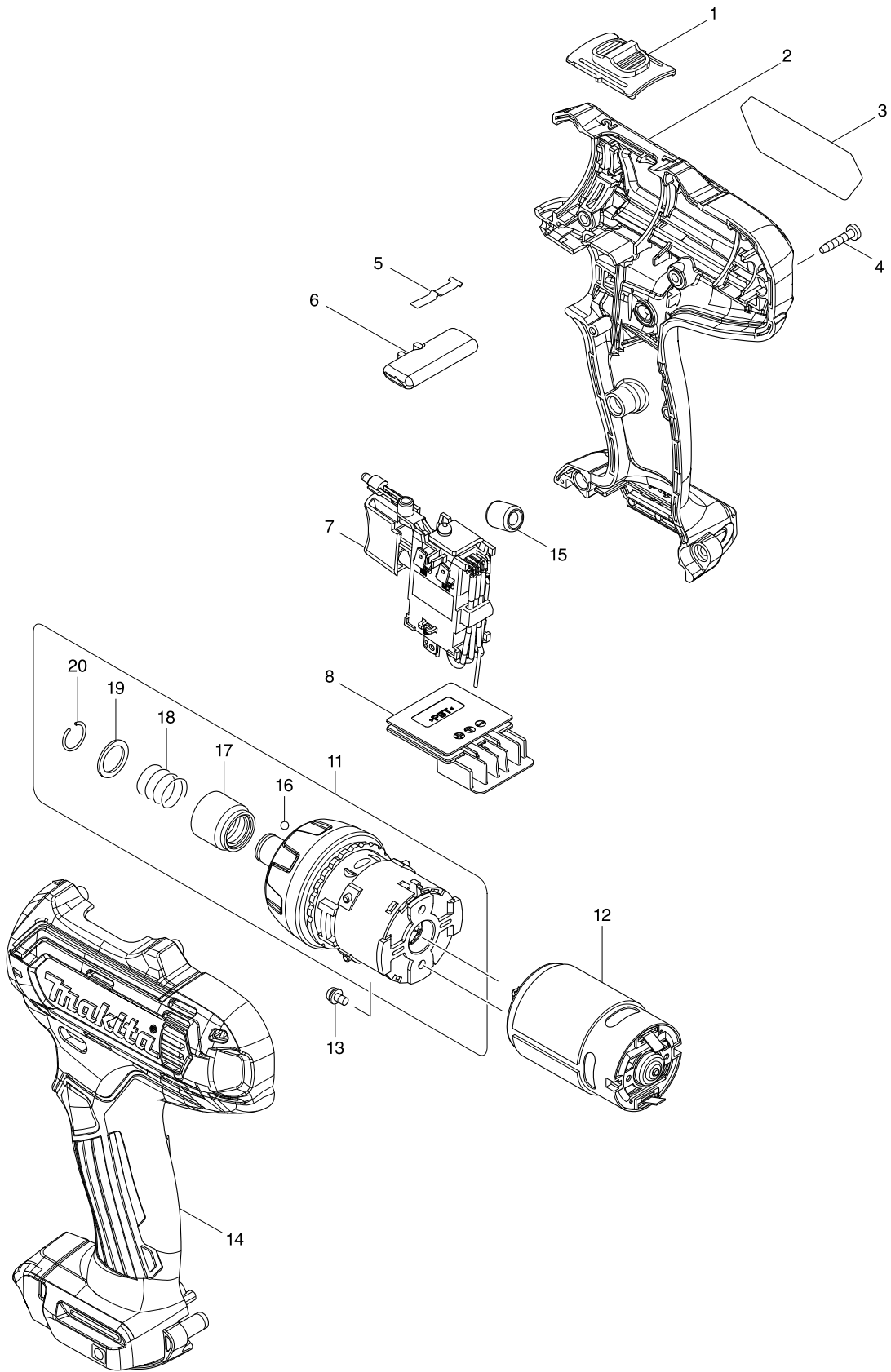


Model No. DF031D CORDLESS DRIVER DRILL



Model No. DF031D CORDLESS DRIVER DRILL

Item	Parts No.	Description	I/C	Qty	N/O	Opt. 1	Opt. 2	Note
001	126233-0	SPEED CHANGE LEVER ASSEMBLY		1				
C10	231433-0	COMPRESSION SPRING 4		2				
002	183B50-3	HOUSING SET		1				
C10	252126-6	HEX. LOCKING NUT M4-7		2				
D10		INC. 14						
003	851H56-2	DF031D NAME PLATE		1				
004	266429-2	TAPPING SCREW 3X16		9				
005	232239-9	LEAF SPRING		1				
006	456039-5	F/R CHANGE LEVER		1				
007	632F42-8	SWITCH UNIT		1	*			
C10	620463-0	LED CIRCUIT		1	*			
C20	632F65-6	LINE FILTER UNIT		1	*			
007-1	632J76-5	SWITCH UNIT	<	1				
C10	620625-0	LED CIRCUIT		1				
C20	632F65-6	LINE FILTER UNIT		1	*			
C21	688161-2	LINE FILTER	<	1				
008	644813-5	TERMINAL		1				
011	123504-6	GEAR ASS'Y		1				
D10		INC. 16-20						
012	629169-7	DC MOTOR		1				
013	911003-8	PAN HEAD SCREW M3X6		2				
014	183B50-3	HOUSING SET		1				
C10	252126-6	HEX. LOCKING NUT M4-7		2				
D10		INC. 2						
015	688164-6	LINE FILTER		1	*			
015-1	632F65-6	LINE FILTER UNIT	<	1				
C10	688164-6	LINE FILTER		1				
016	216019-1	STEEL BALL 3		2				
017	324919-2	BIT SLEEVE		1				
018	233005-7	COMPRESSION SPRING 13		1				
019	267143-3	FLAT WASHER 11		1				
020	231965-7	RING SPRING 10		1				
A01	251314-2	+ SCREW M4X12		1				
A02	346909-5	HOOK		1				
A03	784244-7	+ BIT 2-50		1				
A04B	456128-6	BATTERY COVER		1				
A05B	***DC10SA	DC10SA BATTERY CHARGER		1				
D10		COMPO-PARTS						
A06B	197394-3	BATTERY BL1020B SET		2				
A07B	784244-7	+ BIT 2-50		1				
A08B	821549-5	CONNECTOR PLASTIC CASE (TYPE1)		1				
C10	453974-8	LATCH		4				
A09B	838312-9	INNER TRAY		1				
A10B	807K92-4	DF031DSAJ INDICATION LABEL		1				
A11B	807K93-2	DF031DSAJ PLASTIC CASE LABEL		2				