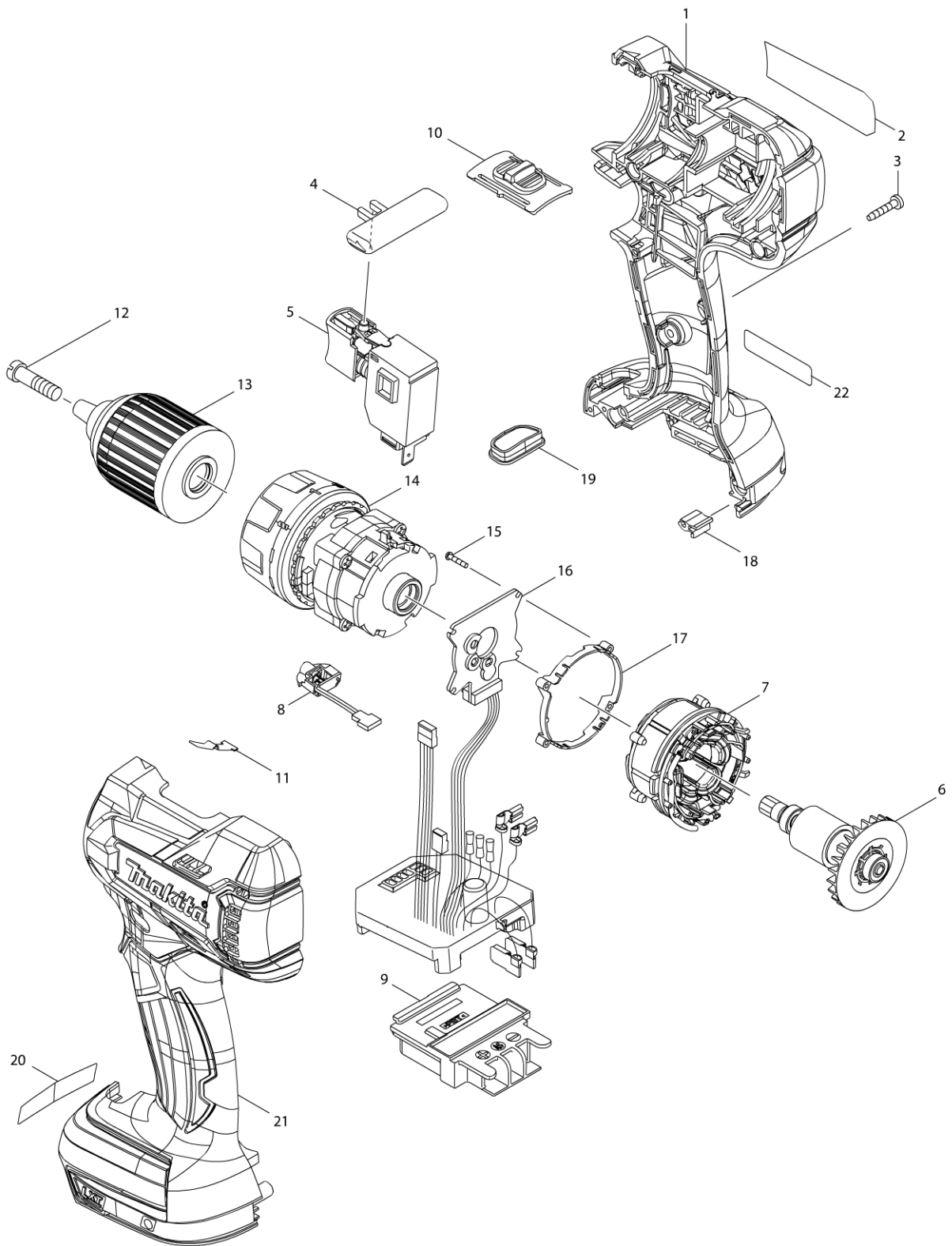


Model No. DDF480 CORDLESS DRIVER DRILL



Model No. DDF480 CORDLESS DRIVER DRILL

Item	Parts No.	Description	I/C	Qty	N/O	Opt. 1	Opt. 2	Note
001	187714-9	HOUSING SET		1				
C10	263005-3	RUBBER PIN 6		2				
D10		INC. 21						
002	814X02-2	DDF480 NAME PLATE		1				
003	266429-2	TAPPING SCREW 3X16		9				
004	419250-0	F/R CHANGE LEVER		1				
005	650710-5	SWITCH C3JW-4B		1				
006	619331-2	ROTOR		1				
007	629999-6	STATOR		1				
008	620244-2	LED CIRCUIT		1				
009	643860-3	TERMINAL		1				
010	126180-5	SPEED CHANGE LEVER ASSEMBLY		1				
C10	233438-6	COMPRESSION SPRING 4		2				
011	232182-2	LEAF SPRING		1				
012	251468-5	- FLAT HEAD SCREW M6X22		1				
013	763175-3	KEYLESS DRILL CHUCK 13		1				
014	126354-8	GEAR ASSEMBLY		1				
015	266786-8	+ PAN HEAD TAPPING SCREW 2X10		4				
016	620245-0	CONTROLLER		1				
017	687464-1	SUPPORT		1				
018	424517-3	CUSHION		1				
019	142263-3	INDICATOR PANEL COMPLETE		1				
021	187714-9	HOUSING SET		1				
C10	263005-3	RUBBER PIN 6		2				
D10		INC. 1						
A01	251314-2	+ SCREW M4X12		1				
A02A	346317-0	HOOK		1				
A02B	346449-3	HOOK		1				
A02C	346317-0	HOOK		1				
A02D	346317-0	HOOK		1				
A03	784637-8	+ BIT 2-45		1				
A04B	***DC18RC	DC18RC FAST CHARGER		1				
A04C	***DC18RC	DC18RC FAST CHARGER		1				
A04D	***DC18RC	DC18RC FAST CHARGER		1				
A05B	196460-3	BATTERY BL1820 SET		2				
A05C	196399-0	BATTERY BL1840 SET		2				
A05D	194204-5	BATTERY BL1830 SET		2				
A06B	450128-8	BATTERY COVER		1				
A06C	450128-8	BATTERY COVER		1				
A06D	450128-8	BATTERY COVER		1				
A07B	821550-0	CONNECTOR PLASTIC CASE (TYPE2		1				
C10	453974-8	LATCH		4				
A07C	821550-0	CONNECTOR PLASTIC CASE (TYPE2		1				
C10	453974-8	LATCH		4				
A07D	821550-0	CONNECTOR PLASTIC CASE (TYPE2		1				
C10	453974-8	LATCH		4				
A08B	837863-9	INNER TRAY		1				
A08C	837679-2	INNER TRAY		1	*			

Please order the parts with a part number.

Print Date 16/09/2014

