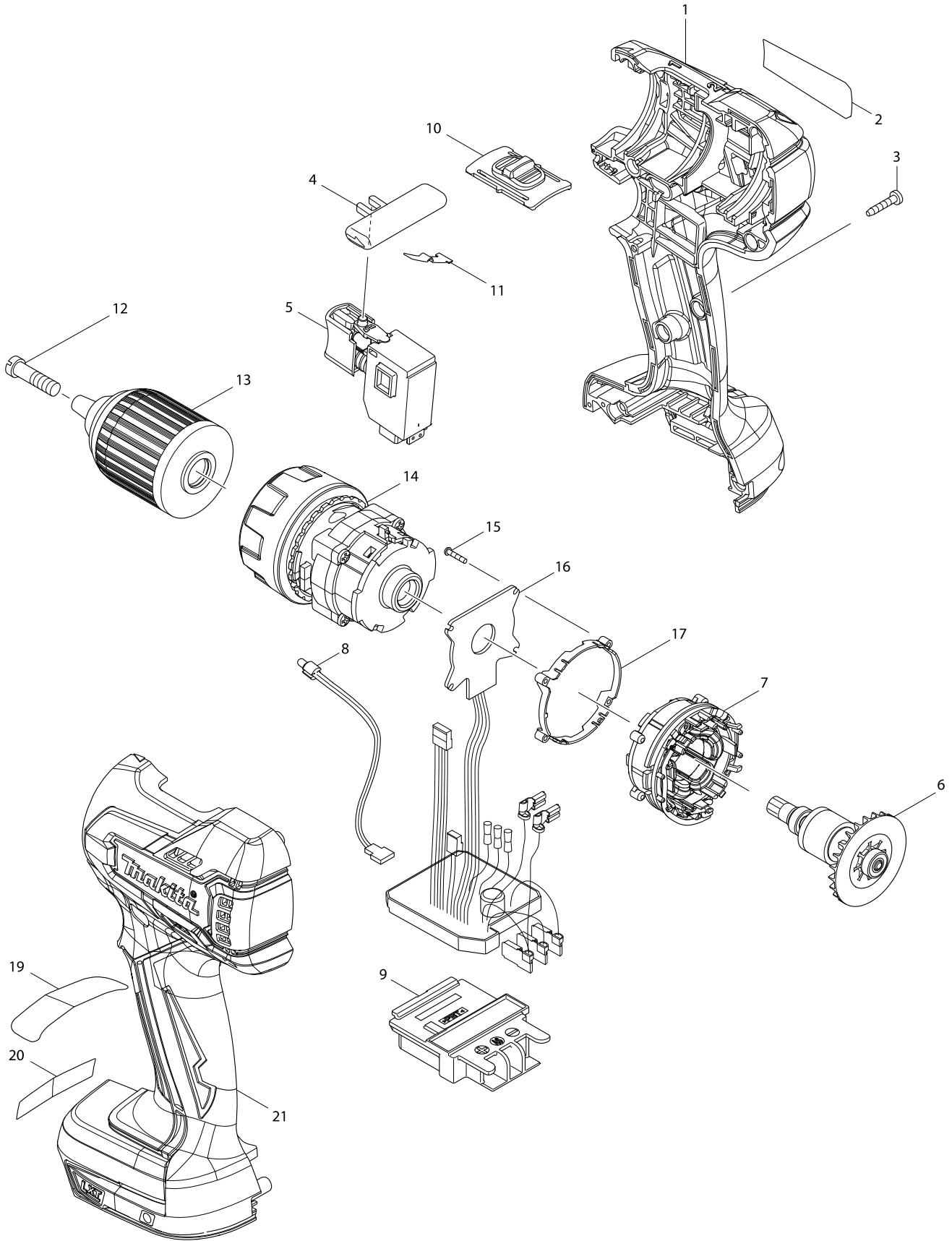


Model No. DDF459 CORDLESS DRIVER DRILL



2013/08
DDF459

Model No. DDF459 CORDLESS DRIVER DRILL

Item	Parts No.	Description	I/C	Qty	N/O	Opt. 1	Opt. 2	Note
001	187454-9	HOUSING SET		1	*			
C10	263005-3	RUBBER PIN 6		2	*			
D10		INC. 21			*			
001-1	187454-9	HOUSING SET	O	1				
C10	263005-3	RUBBER PIN 6		2				
D10		INC. 21						
002	815B93-4	DDF459 NAME PLATE		1				
003	266429-2	TAPPING SCREW 3X16		9				
004	419250-0	F/R CHANGE LEVER		1				
005	650689-0	SWITCH C3JW-2B		1				
006	619304-5	ROTOR		1				
007	629960-3	STATOR		1				
008	620163-2	LED CIRCUIT		1				
009	643860-3	TERMINAL		1				
010	126180-5	SPEED CHANGE LEVER ASSEMBLY		1				
C10	233438-6	COMPRESSION SPRING 4		2				
011	232182-2	LEAF SPRING		1				
012	251468-5	- FLAT HEAD SCREW M6X22		1				
013	763175-3	KEYLESS DRILL CHUCK 13		1				
014	126188-9	GEAR ASSEMBLY		1				
015	266786-8	+ PAN HEAD TAPPING SCREW 2X10		4				
016	620162-4	CONTROLLER		1				
017	687464-1	SUPPORT		1				
021	187454-9	HOUSING SET		1	*			
C10	263005-3	RUBBER PIN 6		2	*			
D10		INC. 1			*			
021-1	187454-9	HOUSING SET	O	1				
C10	263005-3	RUBBER PIN 6		2				
D10		INC. 1						
A01	251314-2	+ SCREW M4X12		1				
A02I	346317-0	HOOK		1				
A02J	346449-3	HOOK		1				
A02K	346317-0	HOOK		1				
A02L	346317-0	HOOK		1				
A02M	346317-0	HOOK		1				
A02N	346449-3	HOOK		1				
A02O	346317-0	HOOK		1				
A02P	346449-3	HOOK		1				
A02Q	346449-3	HOOK		1				
A02R	346449-3	HOOK		1				
A03	784637-8	+/- BIT 2-45		1				
A04J	***DC18SD	DC18SD BATTERY CHARGER		1				
A04K	***DC18RC	DC18RC FAST CHARGER		1				
A04L	821550-0	CONNECTOR PLASTIC CASE (TYPE2)		1				
C10	453974-8	LATCH		4				
A04M	***DC18RC	DC18RC FAST CHARGER		1				
A04N	***DC18RC	DC18RC FAST CHARGER		1				
A04O	***DC18RC	DC18RC FAST CHARGER		1				

Item	Parts No.	Description	I/C	Qty	N/O	Opt. 1	Opt. 2	Note
A04P	***DC18SD	DC18SD BATTERY CHARGER		1				
A04Q	***DC18SD	DC18SD BATTERY CHARGER		1				
A04R	***DC18SD	DC18SD BATTERY CHARGER		1				
A05J	194513-2	BATTERY BL1815 SET		2				
A05K	194204-5	BATTERY BL1830 SET		2				
A05L	837916-4	INNER TRAY		1				
A05M	196399-0	BATTERY BL1840 SET		2				
A05N	196460-3	BATTERY BL1820 SET		2				
A05O	196399-0	BATTERY BL1840 SET		2				
A05P	194513-2	BATTERY BL1815 SET		2				
A05Q	196235-0	BATTERY BL1815N SET		2				
A05R	196235-0	BATTERY BL1815N SET		2				
A06J	450128-8	BATTERY COVER		1				
A06K	450128-8	BATTERY COVER		1				
A06L	802N61-8	DDF459ZJ INDICATION LABEL		1				
A06M	450128-8	BATTERY COVER		1				
A06N	450128-8	BATTERY COVER		1				
A06O	450128-8	BATTERY COVER		1				
A06P	450128-8	BATTERY COVER		1				
A06Q	450128-8	BATTERY COVER		1				
A06R	450128-8	BATTERY COVER		1				
A07J	158597-4	PLASTIC CASE COMPLETE		1				
C10	324679-6	SHAFT		1				
C20	417724-5	LATCH		2				
C30	419216-0	HANDLE		1				
A07K	821550-0	CONNECTOR PLASTIC CASE (TYPE2)		1				
C10	453974-8	LATCH		4				
A07L	802N62-6	DDF459ZJ PLASTIC CASE LABEL		2				
A07M	158597-4	PLASTIC CASE COMPLETE		1				
C10	324679-6	SHAFT		1				
C20	417724-5	LATCH		2				
C30	419216-0	HANDLE		1				
A07N	158597-4	PLASTIC CASE COMPLETE		1				
C10	324679-6	SHAFT		1				
C20	417724-5	LATCH		2				
C30	419216-0	HANDLE		1				
A07O	821550-0	CONNECTOR PLASTIC CASE (TYPE2)		1				
C10	453974-8	LATCH		4				
A07P	821550-0	CONNECTOR PLASTIC CASE (TYPE2)		1				
C10	453974-8	LATCH		4				
A07Q	158597-4	PLASTIC CASE COMPLETE		1				
C10	324679-6	SHAFT		1				
C20	417724-5	LATCH		2				
C30	419216-0	HANDLE		1				
A07R	821550-0	CONNECTOR PLASTIC CASE (TYPE2)		1				
C10	453974-8	LATCH		4				
A08J	802N52-9	DDF459SHE PLASTIC CASE LABEL		2				
A08K	837916-4	INNER TRAY		1				

