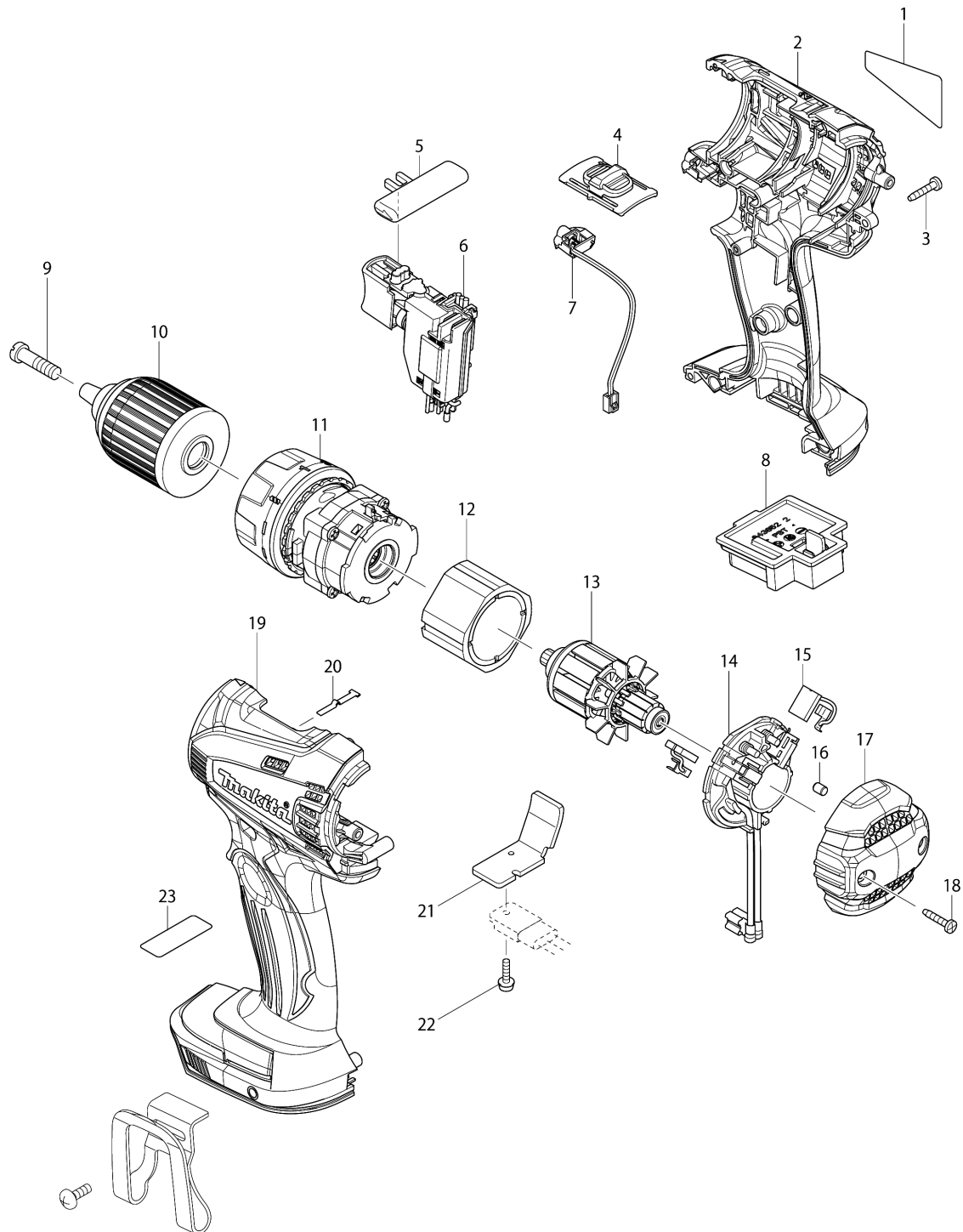


Model No.DDF456 CORDLESS DRIVER DRILL



Model No.DDF456 CORDLESS DRIVER DRILL

Item	Parts No.	Description	I/C	Qty	New/Old	Opt. 1	Opt. 2	Note
001	815C16-8	DDF456 NAME PLATE		1				
002A	188932-2	HOUSING SET		1				
002B	188932-2	HOUSING SET		1				
002C	188932-2	HOUSING SET		1				
002D	188932-2	HOUSING SET		1				
002F	188931-4	HOUSING SET		1				
002I	188932-2	HOUSING SET		1				
002J	188932-2	HOUSING SET		1				
002L	188932-2	HOUSING SET		1				
002M	188932-2	HOUSING SET		1				
002N	187559-5	HOUSING SET		1				
002O	188932-2	HOUSING SET		1				
002P	188931-4	HOUSING SET		1				
002Q	188932-2	HOUSING SET		1				
002R	188932-2	HOUSING SET		1				
002S	188932-2	HOUSING SET		1				
002T	188932-2	HOUSING SET		1				
002U	188932-2	HOUSING SET		1				
002V	188932-2	HOUSING SET		1				
002W	188931-4	HOUSING SET		1				
002Y	188931-4	HOUSING SET		1				
D10		INC. 19						
003	266429-2	TAPPING SCREW 3X16		9				
004	126289-3	SPEED CHANGE LEVER ASSEMBLY		1				
C10	233438-6	COMPRESSION SPRING 4		2				
005	419250-0	F/R CHANGE LEVER		1				
006A	650637-9	SWITCH		1	*			
006B	650637-9	SWITCH		1	*			
006C	650637-9	SWITCH		1	*			
006D	650637-9	SWITCH		1	*			
006F	650637-9	SWITCH		1	*			
006I	650637-9	SWITCH		1	*			
006J	650637-9	SWITCH		1	*			
006L	650637-9	SWITCH		1	*			
006M	650637-9	SWITCH		1	*			
006N	650637-9	SWITCH		1	*			
006O	650637-9	SWITCH		1	*			
006P	650637-9	SWITCH		1	*			
006Q	650637-9	SWITCH		1	*			
006R	650637-9	SWITCH		1	*			
006S	650637-9	SWITCH		1	*			
006T	650637-9	SWITCH		1	*			

Please order the parts with part number.

Print Date 26/6/2019

Model No.DDF456 CORDLESS DRIVER DRILL

Item	Parts No.	Description	I/C	Qty	New/Old	Opt. 1	Opt. 2	Note
006U	650637-9	SWITCH		1	*			
006-1A	650731-7	SWITCH C3HZ-1A-TLMS	<	1	*			
006-1B	650731-7	SWITCH C3HZ-1A-TLMS	<	1	*			
006-1C	650731-7	SWITCH C3HZ-1A-TLMS	<	1	*			
006-1D	650731-7	SWITCH C3HZ-1A-TLMS	<	1	*			
006-1F	650731-7	SWITCH C3HZ-1A-TLMS	<	1	*			
006-1I	650731-7	SWITCH C3HZ-1A-TLMS	<	1	*			
006-1J	650731-7	SWITCH C3HZ-1A-TLMS	<	1	*			
006-1L	650731-7	SWITCH C3HZ-1A-TLMS	<	1	*			
006-1M	650731-7	SWITCH C3HZ-1A-TLMS	<	1	*			
006-1N	650731-7	SWITCH C3HZ-1A-TLMS	<	1	*			
006-1O	650731-7	SWITCH C3HZ-1A-TLMS	<	1	*			
006-1P	650731-7	SWITCH C3HZ-1A-TLMS	<	1	*			
006-1Q	650731-7	SWITCH C3HZ-1A-TLMS	<	1	*			
006-1R	650731-7	SWITCH C3HZ-1A-TLMS	<	1	*			
006-1S	650731-7	SWITCH C3HZ-1A-TLMS	<	1	*			
006-1T	650731-7	SWITCH C3HZ-1A-TLMS	<	1	*			
006-1U	650731-7	SWITCH C3HZ-1A-TLMS	<	1	*			
006-1V	650731-7	SWITCH C3HZ-1A-TLMS		1	*			
006-1W	650731-7	SWITCH C3HZ-1A-TLMS		1	*			
006-1Y	650731-7	SWITCH C3HZ-1A-TLMS		1	*			
006-2	650747-2	SWITCH C3HA-Z1A-TLMS	<	1				
007A	620012-3	LED CIRCUIT		1	*			
007B	620012-3	LED CIRCUIT		1	*			
007C	620012-3	LED CIRCUIT		1	*			
007D	620012-3	LED CIRCUIT		1	*			
007F	620012-3	LED CIRCUIT		1	*			
007I	620012-3	LED CIRCUIT		1	*			
007J	620012-3	LED CIRCUIT		1	*			
007L	620012-3	LED CIRCUIT		1	*			
007M	620012-3	LED CIRCUIT		1	*			
007N	620012-3	LED CIRCUIT		1	*			
007O	620012-3	LED CIRCUIT		1	*			
007P	620012-3	LED CIRCUIT		1	*			
007Q	620012-3	LED CIRCUIT		1	*			
007R	620012-3	LED CIRCUIT		1	*			
007S	620012-3	LED CIRCUIT		1	*			
007T	620012-3	LED CIRCUIT		1	*			
007U	620012-3	LED CIRCUIT		1	*			
007V	620012-3	LED CIRCUIT		1	*			
007W	620012-3	LED CIRCUIT		1	*			
007-1A	620388-8	LED CIRCUIT	O	1				

Please order the parts with part number.

Print Date 26/6/2019

Model No.DDF456 CORDLESS DRIVER DRILL

Item	Parts No.	Description	I/C	Qty	New/Old	Opt. 1	Opt. 2	Note
007-1B	620388-8	LED CIRCUIT	O	1				
007-1C	620388-8	LED CIRCUIT	O	1				
007-1D	620388-8	LED CIRCUIT	O	1				
007-1F	620388-8	LED CIRCUIT	O	1				
007-1I	620388-8	LED CIRCUIT	O	1				
007-1J	620388-8	LED CIRCUIT	O	1				
007-1L	620388-8	LED CIRCUIT	O	1				
007-1M	620388-8	LED CIRCUIT	O	1				
007-1N	620388-8	LED CIRCUIT	O	1				
007-1O	620388-8	LED CIRCUIT	O	1				
007-1P	620388-8	LED CIRCUIT	O	1				
007-1Q	620388-8	LED CIRCUIT	O	1				
007-1R	620388-8	LED CIRCUIT	O	1				
007-1S	620388-8	LED CIRCUIT	O	1				
007-1T	620388-8	LED CIRCUIT	O	1				
007-1U	620388-8	LED CIRCUIT	O	1				
007-1V	620388-8	LED CIRCUIT	O	1				
007-1W	620388-8	LED CIRCUIT	O	1				
007-1Y	620388-8	LED CIRCUIT		1				
008	643852-2	TERMINAL		1				
009	251468-5	- FLAT HEAD SCREW M6X22		1				
010A	763175-3	KEYLESS DRILL CHUCK 13		1	*			
010B	763175-3	KEYLESS DRILL CHUCK 13		1	*			
010C	763175-3	KEYLESS DRILL CHUCK 13		1	*			
010D	763175-3	KEYLESS DRILL CHUCK 13		1	*			
010F	763175-3	KEYLESS DRILL CHUCK 13		1	*			
010I	763175-3	KEYLESS DRILL CHUCK 13		1	*			
010J	763175-3	KEYLESS DRILL CHUCK 13		1	*			
010L	763175-3	KEYLESS DRILL CHUCK 13		1	*			
010M	763175-3	KEYLESS DRILL CHUCK 13		1	*			
010N	763175-3	KEYLESS DRILL CHUCK 13		1	*			
010O	763175-3	KEYLESS DRILL CHUCK 13		1	*			
010P	763175-3	KEYLESS DRILL CHUCK 13		1	*			
010Q	763175-3	KEYLESS DRILL CHUCK 13		1	*			
010R	763175-3	KEYLESS DRILL CHUCK 13		1	*			
010S	763175-3	KEYLESS DRILL CHUCK 13		1	*			
010T	763175-3	KEYLESS DRILL CHUCK 13		1	*			
010U	763175-3	KEYLESS DRILL CHUCK 13		1	*			
010V	763175-3	KEYLESS DRILL CHUCK 13		1	*			
010W	763175-3	KEYLESS DRILL CHUCK 13		1	*			
010-1A	766027-7	KEYLESS DRILL CHUCK 13	<	1				
010-1B	766027-7	KEYLESS DRILL CHUCK 13	<	1				

Please order the parts with part number.

Print Date 26/6/2019

Model No.DDF456 CORDLESS DRIVER DRILL

Item	Parts No.	Description	I/C	Qty	New/Old	Opt. 1	Opt. 2	Note
010-1C	766027-7	KEYLESS DRILL CHUCK 13	<	1				
010-1D	766027-7	KEYLESS DRILL CHUCK 13	<	1				
010-1F	766027-7	KEYLESS DRILL CHUCK 13	<	1				
010-1I	766027-7	KEYLESS DRILL CHUCK 13	<	1				
010-1J	766027-7	KEYLESS DRILL CHUCK 13	<	1				
010-1L	766027-7	KEYLESS DRILL CHUCK 13	<	1				
010-1M	766027-7	KEYLESS DRILL CHUCK 13	<	1				
010-1N	766027-7	KEYLESS DRILL CHUCK 13	<	1				
010-1O	766027-7	KEYLESS DRILL CHUCK 13	<	1				
010-1P	766027-7	KEYLESS DRILL CHUCK 13	<	1				
010-1Q	766027-7	KEYLESS DRILL CHUCK 13	<	1				
010-1R	766027-7	KEYLESS DRILL CHUCK 13	<	1				
010-1S	766027-7	KEYLESS DRILL CHUCK 13	<	1				
010-1T	766027-7	KEYLESS DRILL CHUCK 13	<	1				
010-1U	766027-7	KEYLESS DRILL CHUCK 13	<	1				
010-1V	766027-7	KEYLESS DRILL CHUCK 13	<	1				
010-1W	766027-7	KEYLESS DRILL CHUCK 13	<	1				
010-1Y	766027-7	KEYLESS DRILL CHUCK 13		1				
011A	125831-7	GEAR ASSEMBLY		1	*			
011B	125831-7	GEAR ASSEMBLY		1	*			
011C	125831-7	GEAR ASSEMBLY		1	*			
011D	125831-7	GEAR ASSEMBLY		1	*			
011F	125831-7	GEAR ASSEMBLY		1	*			
011I	125831-7	GEAR ASSEMBLY		1	*			
011J	125831-7	GEAR ASSEMBLY		1	*			
011L	125831-7	GEAR ASSEMBLY		1	*			
011M	125831-7	GEAR ASSEMBLY		1	*			
011N	125831-7	GEAR ASSEMBLY		1	*			
011O	125831-7	GEAR ASSEMBLY		1	*			
011P	125831-7	GEAR ASSEMBLY		1	*			
011Q	125831-7	GEAR ASSEMBLY		1	*			
011R	125831-7	GEAR ASSEMBLY		1	*			
011S	125831-7	GEAR ASSEMBLY		1	*			
011T	125831-7	GEAR ASSEMBLY		1	*			
011U	125831-7	GEAR ASSEMBLY		1	*			
011-1A	126459-4	GEAR ASSEMBLY	<	1				
011-1B	126459-4	GEAR ASSEMBLY	<	1				
011-1C	126459-4	GEAR ASSEMBLY	<	1				
011-1D	126459-4	GEAR ASSEMBLY	<	1				
011-1F	126459-4	GEAR ASSEMBLY	<	1				
011-1I	126459-4	GEAR ASSEMBLY	<	1				
011-1J	126459-4	GEAR ASSEMBLY	<	1				

Please order the parts with part number.

Print Date 26/6/2019

Model No.DDF456 CORDLESS DRIVER DRILL

Item	Parts No.	Description	I/C	Qty	New/Old	Opt. 1	Opt. 2	Note
011-1L	126459-4	GEAR ASSEMBLY	<	1				
011-1M	126459-4	GEAR ASSEMBLY	<	1				
011-1N	126459-4	GEAR ASSEMBLY	<	1				
011-1O	126459-4	GEAR ASSEMBLY	<	1				
011-1P	126459-4	GEAR ASSEMBLY	<	1				
011-1Q	126459-4	GEAR ASSEMBLY	<	1				
011-1R	126459-4	GEAR ASSEMBLY	<	1				
011-1S	126459-4	GEAR ASSEMBLY	<	1				
011-1T	126459-4	GEAR ASSEMBLY	<	1				
011-1U	126459-4	GEAR ASSEMBLY	<	1				
011-1V	126459-4	GEAR ASSEMBLY		1				
011-1W	126459-4	GEAR ASSEMBLY		1				
011-1Y	126459-4	GEAR ASSEMBLY		1				
012	638425-4	YOKE UNIT		1	*			
012-1	632J71-5	YOKE UNIT	<	1				
013	619263-3	ARMATURE		1				
014	638845-2	BRUSH HOLDER COMPLETE		1				
015	194427-5	CARBON BRUSH CB-440		1				
016	263032-0	RUBBER PIN 4		2				
017A	452205-2	REAR COVER		1				
017B	452205-2	REAR COVER		1				
017C	452205-2	REAR COVER		1				
017D	452205-2	REAR COVER		1				
017F	452202-8	REAR COVER		1				
017I	452205-2	REAR COVER		1				
017J	452205-2	REAR COVER		1				
017L	452205-2	REAR COVER		1				
017M	452205-2	REAR COVER		1				
017N	454145-0	REAR COVER		1				
017O	452205-2	REAR COVER		1				
017P	452202-8	REAR COVER		1				
017Q	452205-2	REAR COVER		1				
017R	452205-2	REAR COVER		1				
017S	452205-2	REAR COVER		1				
017T	452205-2	REAR COVER		1				
017U	452205-2	REAR COVER		1				
017V	452205-2	REAR COVER		1				
017W	452202-8	REAR COVER		1				
017Y	452202-8	REAR COVER		1				
018	266429-2	TAPPING SCREW 3X16		2				
019A	188932-2	HOUSING SET		1				
019B	188932-2	HOUSING SET		1				

Please order the parts with part number.

Print Date 26/6/2019

Model No.DDF456 CORDLESS DRIVER DRILL

Item	Parts No.	Description	I/C	Qty	New/Old	Opt. 1	Opt. 2	Note
019C	188932-2	HOUSING SET		1				
019D	188932-2	HOUSING SET		1				
019F	188931-4	HOUSING SET		1				
019I	188932-2	HOUSING SET		1				
019J	188932-2	HOUSING SET		1				
019L	188932-2	HOUSING SET		1				
019M	188932-2	HOUSING SET		1				
019N	187559-5	HOUSING SET		1				
019O	188932-2	HOUSING SET		1				
019P	188931-4	HOUSING SET		1				
019Q	188932-2	HOUSING SET		1				
019R	188932-2	HOUSING SET		1				
019S	188932-2	HOUSING SET		1				
019T	188932-2	HOUSING SET		1				
019U	188932-2	HOUSING SET		1				
019V	188932-2	HOUSING SET		1				
019W	188931-4	HOUSING SET		1				
019Y	188931-4	HOUSING SET		1				
D10		INC. 2						
020	232182-2	LEAF SPRING		1				
021	689170-4	HEAT SINK		1				
022	911013-5	PAN HEAD SCREW M3X10		1				
A01	251314-2	+ SCREW M4X12		1				
A02A	346317-0	HOOK		1				
A02B	346449-3	HOOK		1				
A02C	346449-3	HOOK		1				
A02D	346317-0	HOOK		1				
A02F	346317-0	HOOK		1				
A02I	346317-0	HOOK		1				
A02J	346449-3	HOOK		1				
A02L	346317-0	HOOK		1				
A02M	346449-3	HOOK		1				
A02N	346317-0	HOOK		1				
A02O	346449-3	HOOK		1				
A02P	346317-0	HOOK		1				
A02Q	346317-0	HOOK		1				
A02R	346449-3	HOOK		1				
A02S	346317-0	HOOK		1				
A02T	346317-0	HOOK		1				
A02U	346449-3	HOOK		1				
A02V	346449-3	HOOK		1				
A02W	346317-0	HOOK		1				

Please order the parts with part number.

Print Date 26/6/2019

Model No.DDF456 CORDLESS DRIVER DRILL

Item	Parts No.	Description	I/C	Qty	New/Old	Opt. 1	Opt. 2	Note
A02Y	346317-0	HOOK		1				
A03	784637-8	+/- BIT 2-45		1				
A04A	140354-4	PLASTIC CASE COMPLETE		1				
C10	419216-0	HANDLE		1				
C20	417724-5	LATCH		2				
C30	419268-1	PLASTIC CASE LID		1				
C40	419269-9	PLATE		5				
C50	324667-3	SHAFT		1				
A04C	141856-3	PLASTIC CARRYING CASE COMPLETE		1				
C10	162302-3	LATCH		2				
C20	324207-7	SHAFT		1				
C30	451749-9	HANDLE		1				
A04D	140354-4	PLASTIC CASE COMPLETE		1				
C10	419216-0	HANDLE		1				
C20	417724-5	LATCH		2				
C30	419268-1	PLASTIC CASE LID		1				
C40	419269-9	PLATE		5				
C50	324667-3	SHAFT		1				
A04F	158865-5	PLASTIC CARRYING CASE		1				
C10	324667-3	SHAFT		1				
C20	417724-5	LATCH		2				
C30	419216-0	HANDLE		1				
C40	451028-5	PLATE		5				
C50	450830-3	PLASTIC CASE LID		1				
A04I	821550-0	CONNECTOR PLASTIC CASE (TYPE2)		1				
C10	453974-8	LATCH		4				
A04J	821550-0	CONNECTOR PLASTIC CASE (TYPE2)		1				
C10	453974-8	LATCH		4				
A04L	140354-4	PLASTIC CASE COMPLETE		1				
C10	419216-0	HANDLE		1				
C20	417724-5	LATCH		2				
C30	419268-1	PLASTIC CASE LID		1				
C40	419269-9	PLATE		5				
C50	324667-3	SHAFT		1				
A04M	141856-3	PLASTIC CARRYING CASE COMPLETE		1				
C10	162302-3	LATCH		2				
C20	324207-7	SHAFT		1				
C30	451749-9	HANDLE		1				
A04N	140354-4	PLASTIC CASE COMPLETE		1				
C10	419216-0	HANDLE		1				

Please order the parts with part number.

Print Date 26/6/2019

Model No.DDF456 CORDLESS DRIVER DRILL

Item	Parts No.	Description	I/C	Qty	New/Old	Opt. 1	Opt. 2	Note
C20	417724-5	LATCH		2				
C30	419268-1	PLASTIC CASE LID		1				
C40	419269-9	PLATE		5				
C50	324667-3	SHAFT		1				
A04O	141856-3	PLASTIC CARRYING CASE COMPLETE		1				
C10	162302-3	LATCH		2				
C20	324207-7	SHAFT		1				
C30	451749-9	HANDLE		1				
A04P	821550-0	CONNECTOR PLASTIC CASE (TYPE2)		1				
C10	453974-8	LATCH		4				
A04Q	821551-8	CONNECTOR PLASTIC CASE (TYPE3)		1				
C10	453974-8	LATCH		4				
A04R	821550-0	CONNECTOR PLASTIC CASE (TYPE2)		1				
C10	453974-8	LATCH		4				
A04S	821550-0	CONNECTOR PLASTIC CASE (TYPE2)		1				
C10	453974-8	LATCH		4				
A04T	821550-0	CONNECTOR PLASTIC CASE (TYPE2)		1				
C10	453974-8	LATCH		4				
A04U	821550-0	CONNECTOR PLASTIC CASE (TYPE2)		1				
C10	453974-8	LATCH		4				
A04V	821550-0	CONNECTOR PLASTIC CASE (TYPE2)		1				
C10	453974-8	LATCH		4				
A04W	158865-5	PLASTIC CARRYING CASE		1				
C10	324667-3	SHAFT		1				
C20	417724-5	LATCH		2				
C30	419216-0	HANDLE		1				
C40	451028-5	PLATE		5				
C50	450830-3	PLASTIC CASE LID		1				
A04Y	821550-0	CONNECTOR PLASTIC CASE (TYPE2)		1				
C10	453974-8	LATCH		4				
A05A	450128-8	BATTERY COVER		1				
A05C	450128-8	BATTERY COVER		1				
A05F	450128-8	BATTERY COVER		1				
A05I	450128-8	BATTERY COVER		1				
A05J	837916-4	INNER TRAY		1				
A05L	450128-8	BATTERY COVER		1				
A05M	450128-8	BATTERY COVER		1				
A05N	450128-8	BATTERY COVER		1				

Please order the parts with part number.

Print Date 26/6/2019

Model No.DDF456 CORDLESS DRIVER DRILL

Item	Parts No.	Description	I/C	Qty	New/Old	Opt. 1	Opt. 2	Note
A05O	450128-8	BATTERY COVER		1				
A05P	450128-8	BATTERY COVER		1				
A05R	450128-8	BATTERY COVER		1				
A05S	450128-8	BATTERY COVER		1				
A05T	450128-8	BATTERY COVER		2				
A05U	450128-8	BATTERY COVER		1				
A05V	450128-8	BATTERY COVER		1				
A05W	450128-8	BATTERY COVER		1				
A05Y	450128-8	BATTERY COVER		2				
A06A	***DC18RC	DC18RC FAST CHARGER		1				
A06C	***DC18RC	DC18RC FAST CHARGER		1				
A06D	***DC18RC	DC18RC FAST CHARGER		1				
A06F	***DC18RC	DC18RC FAST CHARGER		1				
A06I	***DC18RC	DC18RC FAST CHARGER		1				
A06J	802P27-0	DDF456ZJ INDICATION LABEL		1				
A06L	***DC18RC	DC18RC FAST CHARGER		1				
A06M	***DC18RC	DC18RC FAST CHARGER		1				
A06N	***DC18RC	DC18RC FAST CHARGER		1				
A06O	***DC18RC	DC18RC FAST CHARGER		1				
A06P	***DC18RC	DC18RC FAST CHARGER		1				
A06Q	***DC18RC	DC18RC FAST CHARGER		1				
A06R	***DC18RC	DC18RC FAST CHARGER		1				
A06S	***DC18RC	DC18RC FAST CHARGER		1				
A06T	***DC18RC	DC18RC FAST CHARGER		1				
A06U	***DC18RC	DC18RC FAST CHARGER		1				
A06V	***DC18RC	DC18RC FAST CHARGER		1				
A06W	***DC18RC	DC18RC FAST CHARGER		1				
A06Y	***DC18RC	DC18RC FAST CHARGER		1				
A07A	194204-5	BATTERY BL1830 SET		2	*			
A07C	194513-2	BATTERY BL1815 SET		2				
A07D	194204-5	BATTERY BL1830 SET		2	*			
A07F	194204-5	BATTERY BL1830 SET		2	*			
A07I	194204-5	BATTERY BL1830 SET		2	*			
A07J	802P51-3	DDF456ZJ PLASTIC CASE LABEL		2				
A07L	196399-0	BATTERY BL1840 SET		2	*			
A07M	196460-3	BATTERY BL1820 SET		2	*			
A07N	194204-5	BATTERY BL1830 SET		2	*			
A07O	196235-0	BATTERY BL1815N SET		2	*			
A07P	194204-5	BATTERY BL1830 SET		2	*			
A07Q	194204-5	BATTERY BL1830 SET		2	*			
A07R	194513-2	BATTERY BL1815 SET		2				
A07S	196399-0	BATTERY BL1840 SET		2	*			

Please order the parts with part number.

Print Date 26/6/2019

Model No.DDF456 CORDLESS DRIVER DRILL

Item	Parts No.	Description	I/C	Qty	New/Old	Opt. 1	Opt. 2	Note
A07T	194204-5	BATTERY BL1830 SET		3	*			
A07U	196235-0	BATTERY BL1815N SET		2	*			
A07V	196460-3	BATTERY BL1820 SET		2	*			
A07W	196399-0	BATTERY BL1840 SET		2	*			
A07-1A	194204-5	BATTERY BL1830 SET	O	2	*			
A07-1D	194204-5	BATTERY BL1830 SET	O	2	*			
A07-1F	194204-5	BATTERY BL1830 SET	O	2	*			
A07-1I	194204-5	BATTERY BL1830 SET	O	2	*			
A07-1L	196399-0	BATTERY BL1840 SET	O	2	*			
A07-1M	197254-9	BATTERY BL1820B SET	<	2	*			
A07-1N	194204-5	BATTERY BL1830 SET	O	2	*			
A07-1O	196235-0	BATTERY BL1815N SET	O	2				
A07-1P	194204-5	BATTERY BL1830 SET	O	2	*			
A07-1Q	194204-5	BATTERY BL1830 SET	O	2	*			
A07-1S	196399-0	BATTERY BL1840 SET	O	2	*			
A07-1T	194204-5	BATTERY BL1830 SET	O	3	*			
A07-1U	196235-0	BATTERY BL1815N SET	O	2				
A07-1V	197254-9	BATTERY BL1820B SET	<	2	*			
A07-1W	196399-0	BATTERY BL1840 SET	O	2	*			
A07-1Y	196399-0	BATTERY BL1840 SET		3	*			
A07-2A	197600-6	BATTERY BL1830B SET	<	2	*			
A07-2D	197600-6	BATTERY BL1830B SET	<	2	*			
A07-2F	197600-6	BATTERY BL1830B SET	<	2	*			
A07-2I	197600-6	BATTERY BL1830B SET	<	2	*			
A07-2L	197265-4	BATTERY BL1840B SET	<	2	*			
A07-2M	197254-9	BATTERY BL1820B SET	O	2				
A07-2N	197600-6	BATTERY BL1830B SET	<	2	*			
A07-2P	197600-6	BATTERY BL1830B SET	<	2	*			
A07-2Q	197600-6	BATTERY BL1830B SET	<	2	*			
A07-2S	197265-4	BATTERY BL1840B SET	<	2	*			
A07-2T	197600-6	BATTERY BL1830B SET	<	3	*			
A07-2V	197254-9	BATTERY BL1820B SET	O	2				
A07-2W	197265-4	BATTERY BL1840B SET	<	2	*			
A07-2Y	197265-4	BATTERY BL1840B SET	<	3	*			
A07-3A	197600-6	BATTERY BL1830B SET	O	2				
A07-3D	197600-6	BATTERY BL1830B SET	O	2				
A07-3F	197600-6	BATTERY BL1830B SET	O	2				
A07-3I	197600-6	BATTERY BL1830B SET	O	2				
A07-3L	197265-4	BATTERY BL1840B SET	O	2				
A07-3N	197600-6	BATTERY BL1830B SET	O	2				
A07-3P	197600-6	BATTERY BL1830B SET	O	2				
A07-3Q	197600-6	BATTERY BL1830B SET	O	2				

Please order the parts with part number.

Print Date 26/6/2019

Model No.DDF456 CORDLESS DRIVER DRILL

Item	Parts No.	Description	I/C	Qty	New/Old	Opt. 1	Opt. 2	Note
A07-3S	197265-4	BATTERY BL1840B SET	O	2				
A07-3T	197600-6	BATTERY BL1830B SET	O	3				
A07-3W	197265-4	BATTERY BL1840B SET	O	2				
A07-3Y	197265-4	BATTERY BL1840B SET	O	3				
A08A	802P40-8	DDF456RFE PLASTIC CASE LABEL		1				
A08C	802P28-8	DDF456RHE PLASTIC CASE LABEL		2				
A08D	802P35-1	DDF456RFLE PLASTIC CASE LABEL		1				
A08F	802P47-4	DDF456RFEW PLASTIC CASE LABEL		1				
A08I	837916-4	INNER TRAY		1				
A08L	802P33-5	DDF456RME PLASTIC CASE LABEL		1				
A08M	802P52-1	DDF456RAE PLASTIC CASE LABEL		2				
A08N	802P43-2	DDF456RFEB PLASTIC CASE LABEL		1				
A08O	802P53-9	DDF456RYE PLASTIC CASE LABEL		2				
A08P	837916-4	INNER TRAY		1				
A08Q	837893-0	INNER TRAY		1				
A08R	837863-9	INNER TRAY		1				
A08S	837916-4	INNER TRAY		1				
A08T	837916-4	INNER TRAY		1				
A08U	837863-9	INNER TRAY		1				
A08V	837863-9	INNER TRAY		1				
A08W	805T67-1	DDF456RMEW PLASTIC CASE LABEL		1				
A08Y	837916-4	INNER TRAY		1				
A09D	345261-8	HOOK PLATE		2				
A09I	802P19-9	DDF456RFJ INDICATION LABEL		1				
A09P	802P21-2	DDF456RFWJ INDICATION LABEL		1				
A09Q	345261-8	HOOK PLATE		2				
A09R	802P23-8	DDF456RHJ INDICATION LABEL		1				
A09S	802P78-3	DDF456RMJ INDICATION LABEL		1				
A09T	802P20-4	DDF456RF3J INDICATION LABEL		1				
A09U	803G15-6	DDF456RYJ INDICATION LABEL		1				
A09V	804W67-6	DDF456RAJ INDICATION LABEL		1				
A09Y	807T04-1	DDF456M3WJ INDICATION LABEL		1				
A10D	417926-3	STRAP G0970200500		1				
A10I	802P49-0	DDF456RFJ PLASTIC CASE LABEL		2				
A10P	802P44-0	DDF456RFWJ PLASTIC CASE LABEL		2				

Please order the parts with part number.

Print Date 26/6/2019

Model No.DDF456 CORDLESS DRIVER DRILL

Item	Parts No.	Description	I/C	Qty	New/Old	Opt. 1	Opt. 2	Note
A10Q	417926-3	STRAP G0970200500		1				
A10R	802P50-5	DDF456RHJ PLASTIC CASE LABEL		2				
A10S	802P79-1	DDF456RMJ PLASTIC CASE LABEL		2				
A10T	802P48-2	DDF456RF3J PLASTIC CASE LABEL		2				
A10U	803G16-4	DDF456RYJ PLASTIC CASE LABEL		2				
A10V	804W68-4	DDF456RAJ PLASTIC CASE LABEL		2				
A10Y	807T05-9	DDF456M3WJ PLASTIC CASE LABEL		2				
A11D	STEXBML185	RECHARGEABLE JOB SITE LIGHT		1	*			
A11Q	STEXBML185	RECHARGEABLE JOB SITE LIGHT		1	*			
A11-1D	DEADML185	RECHARGEABLE FLASHLIGHT	<	1				
A11-1Q	DEADML185	RECHARGEABLE FLASHLIGHT	<	1				
A12Q	802P16-5	DDF456RFLJ INDICATION LABEL		1				
A13Q	802P45-8	DDF456RFLJ PLASTIC CASE LABEL		2				

Please order the parts with part number.

Print Date 26/6/2019