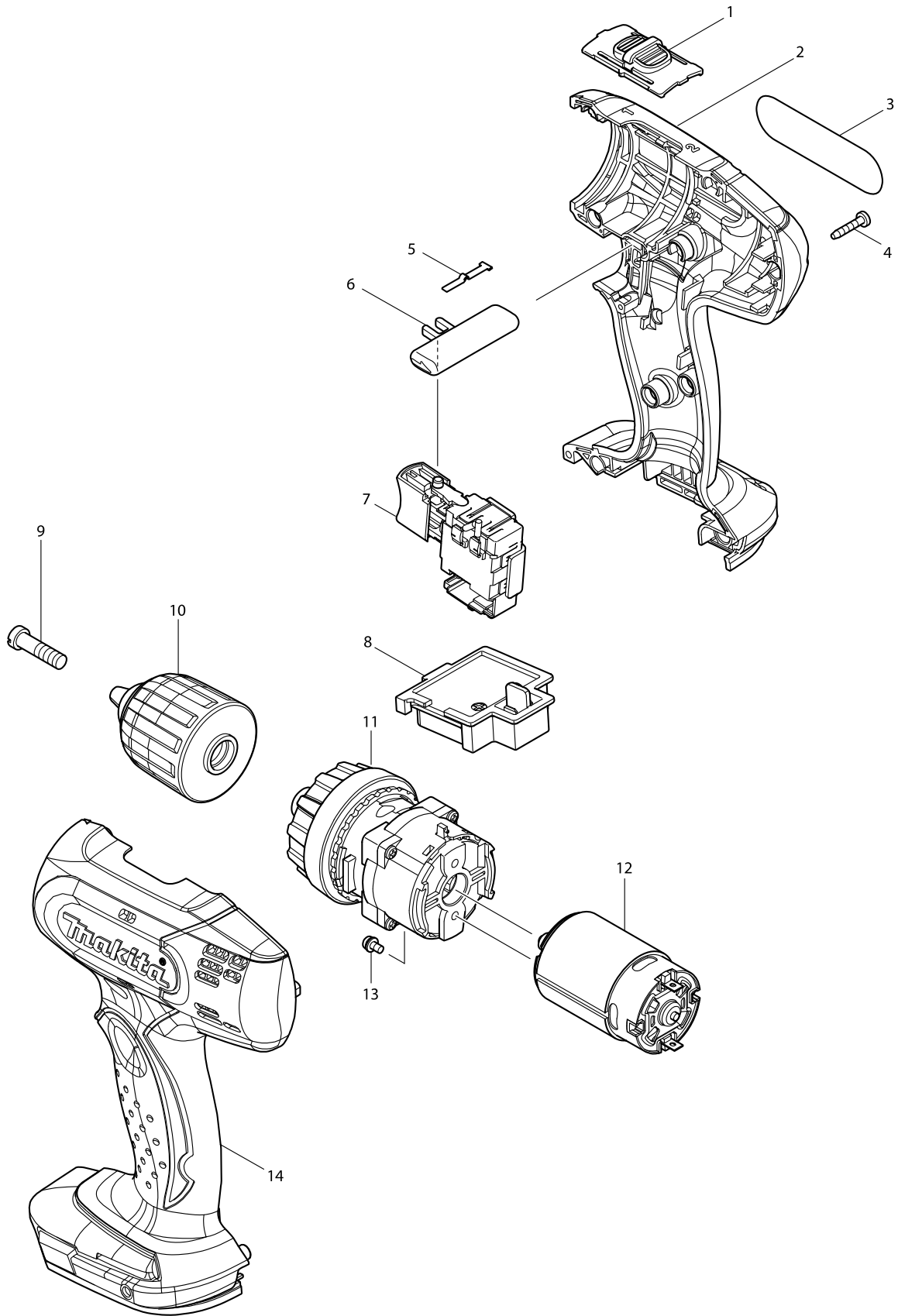


Model No. DDF343 CORDLESS DRIVER DRILL 10MM



Model No. DDF343 CORDLESS DRIVER DRILL 10MM

| Item | Parts No. | Description | I/C | Qty | N/O | Opt. 1 | Opt. 2 | Note |
|--------|-----------|--------------------------------|-----|-----|-----|--------|--------|------|
| 001 | 125310-5 | SPEED CHANGE LEVER ASS'Y | | 1 | | | | |
| C10 | 231433-0 | COMPRESSION SPRING 4 | | 2 | | | | |
| 002 | 187722-0 | HOUSING SET | | 1 | | | | |
| D10 | | INC. 14 | | | | | | |
| 003 | 815H09-5 | DDF343 NAME PLATE | | 1 | | | | |
| 004 | 266130-9 | TAPPING SCREW BIND PT 3X16 | | 9 | | | | |
| 005 | 232182-2 | LEAF SPRING | | 1 | | | | |
| 006 | 419250-0 | F/R CHANGE LEVER | | 1 | | | | |
| 007 | 632A24-0 | SWITCH UNIT | | 1 | | | | |
| 008 | 643854-8 | TERMINAL | | 1 | | | | |
| 009 | 251468-5 | - FLAT HEAD SCREW M6X22 | | 1 | | | | |
| 010 | 766002-3 | KEYLESS DRILL CHUCK 10 | | 1 | | | | |
| 011 | 126000-3 | GEAR ASSEMBLY | | 1 | | | | |
| 012 | 629898-2 | DC MOTOR | | 1 | | | | |
| 013 | 911003-8 | PAN HEAD SCREW M3X6 | | 2 | | | | |
| 014 | 187722-0 | HOUSING SET | | 1 | | | | |
| D10 | | INC. 2 | | | | | | |
| A01 | 784636-0 | +- BIT 2-65 | | 1 | | | | |
| A02A | ***DC18RC | DC18RC FAST CHARGER | | 1 | | | | |
| A02B | ***DC18SD | DC18SD BATTERY CHARGER | | 1 | | | | |
| A02C | ***DC18RC | DC18RC FAST CHARGER | | 1 | | | | |
| A02D | ***DC18RC | DC18RC FAST CHARGER | | 1 | | | | |
| A02E | ***DC18SD | DC18SD BATTERY CHARGER | | 1 | | | | |
| A03A | 194065-3 | BATTERY BL1430 SET | | 2 | * | | | |
| A03B | 194558-0 | BATTERY BL1415 SET | | 2 | | | | |
| A03C | 194558-0 | BATTERY BL1415 SET | | 2 | | | | |
| A03D | 194558-0 | BATTERY BL1415 SET | | 2 | | | | |
| A03E | 194558-0 | BATTERY BL1415 SET | | 2 | | | | |
| A03-1A | 194065-3 | BATTERY BL1430 SET | O | 2 | | | | |
| A04 | 450128-8 | BATTERY COVER | | 1 | | | | |
| A05A | 158777-2 | PLASTIC CARRYING CASE | | 1 | | | | |
| C10 | 163455-1 | LATCH | | 2 | | | | |
| C20 | 419360-3 | HANDLE | | 1 | | | | |
| A05B | 158777-2 | PLASTIC CARRYING CASE | | 1 | | | | |
| C10 | 163455-1 | LATCH | | 2 | | | | |
| C20 | 419360-3 | HANDLE | | 1 | | | | |
| A05C | 821550-0 | CONNECTOR PLASTIC CASE (TYPE2) | | 1 | | | | |
| C10 | 453974-8 | LATCH | | 4 | | | | |
| A05D | 195829-8 | TOOL CHEST | | 1 | | | | |
| A05E | 821550-0 | CONNECTOR PLASTIC CASE (TYPE2) | | 1 | | | | |
| C10 | 453974-8 | LATCH | | 4 | | | | |
| A06C | 837916-4 | INNER TRAY | | 1 | * | | | |
| A06E | 837863-9 | INNER TRAY | | 1 | | | | |
| A06-1C | 837863-9 | INNER TRAY | < | 1 | | | | |
| A07C | 803B16-4 | DDF343RHJ INDICATION LABEL | | 1 | | | | |
| A07E | 803B17-2 | DDF343SHJ INDICATION LABEL | | 1 | | | | |
| A08C | 803B19-8 | DDF343RHJ PLASTIC CASE LABEL | | 2 | | | | |
| A08E | 803B20-3 | DDF343SHJ PLASTIC CASE LABEL | | 2 | | | | |