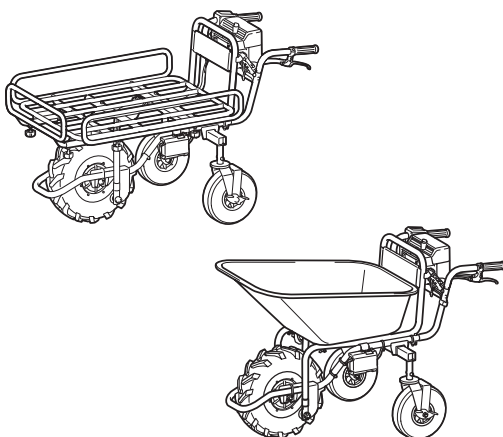




EN	Battery Powered Wheelbarrow	INSTRUCTION MANUAL	13
SV	Batteridreven skottkärra	BRUKSANVISNING	22
NO	Batteridrevet trillebår	BRUKSANVISNING	31
FI	Akkukäyttöinen työntökärry	KÄYTTÖOHJE	40
LV	Ar akumulatoru darbināma ķerra	LIETOŠANAS INSTRUKCIJA	49
LT	Akumuliatorinis karutis	NAUDOJIMO INSTRUKCIJA	59
ET	Akutoitega aiakäru	KASUTUSJUHEND	68
RU	Акумуляторная Самоходная Тачка	РУКОВОДСТВО ПО ЭКСПЛУАТАЦИИ	77

DCU180



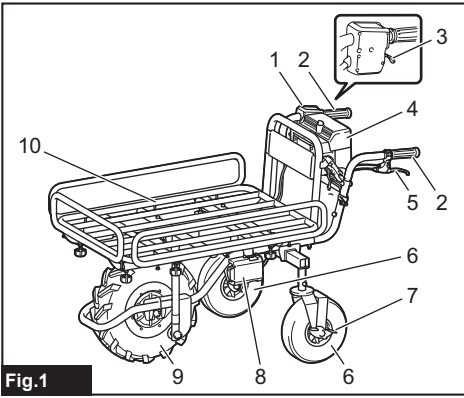


Fig.1

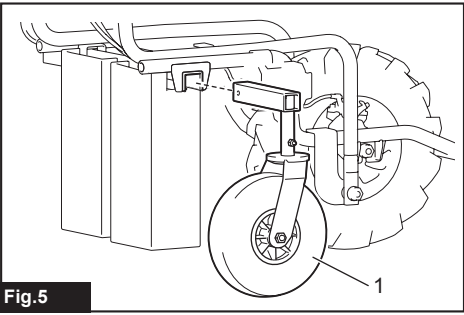


Fig.5

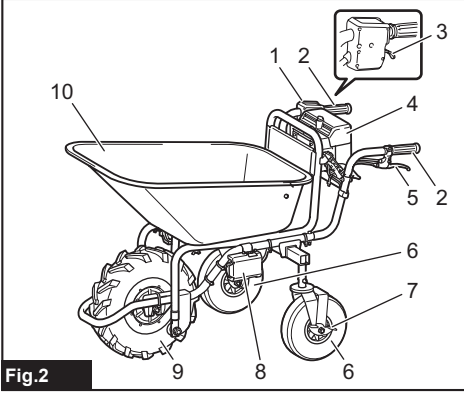


Fig.2

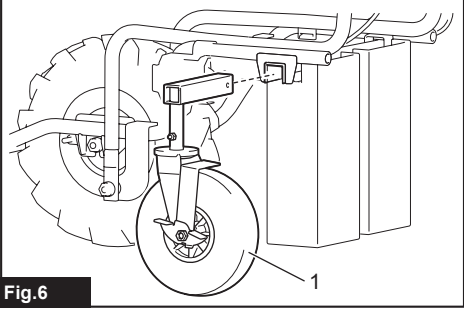


Fig.6

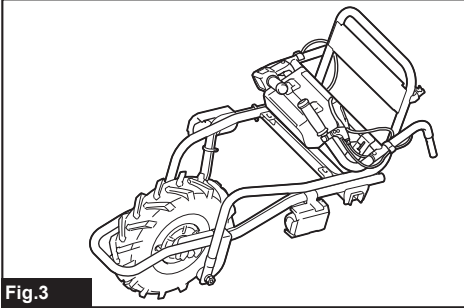


Fig.3

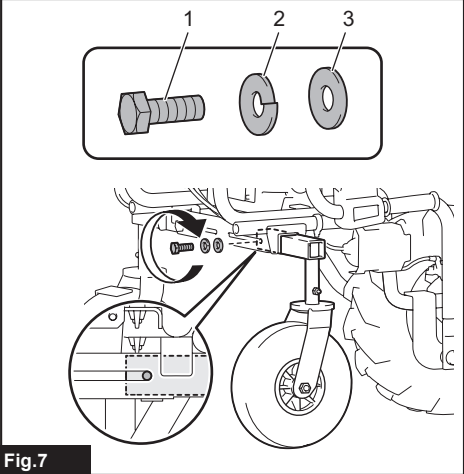


Fig.7

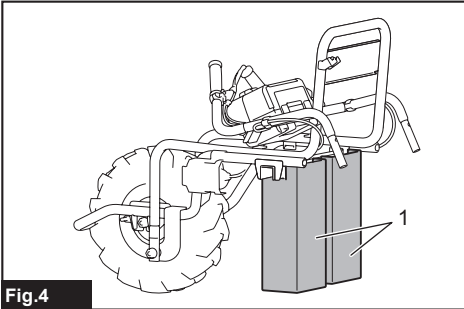


Fig.4

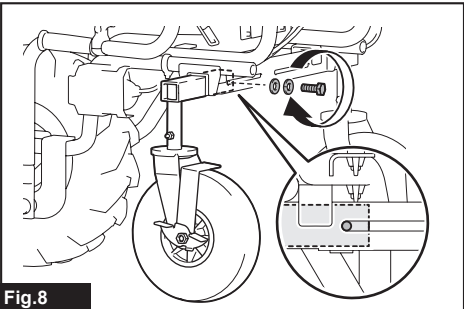


Fig.8

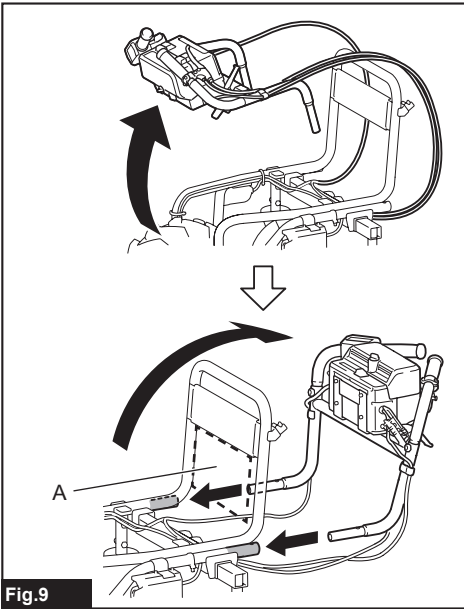


Fig.9

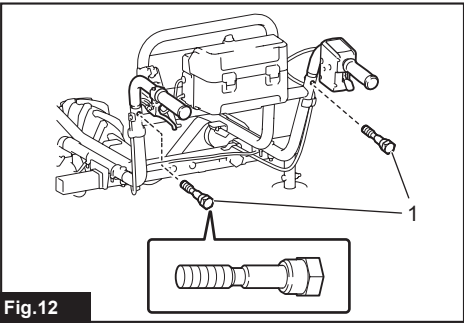


Fig.12

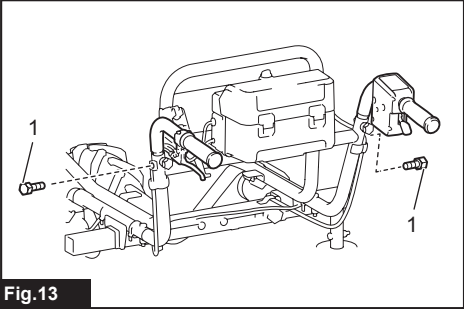


Fig.13

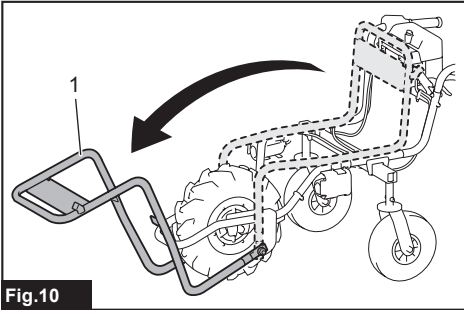


Fig.10

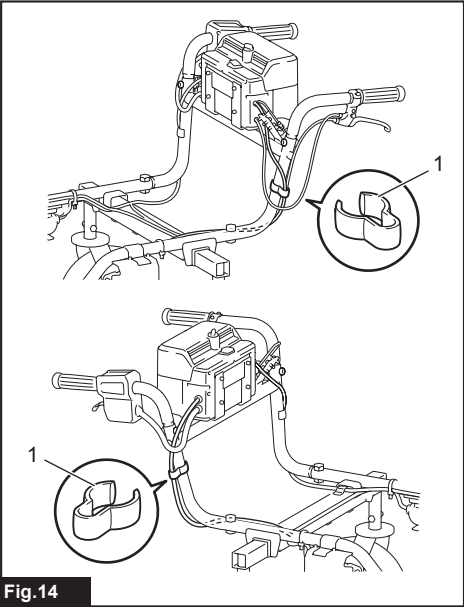


Fig.14

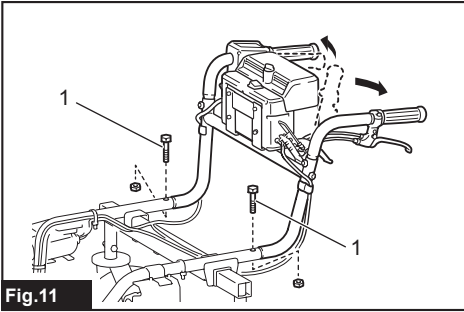


Fig.11

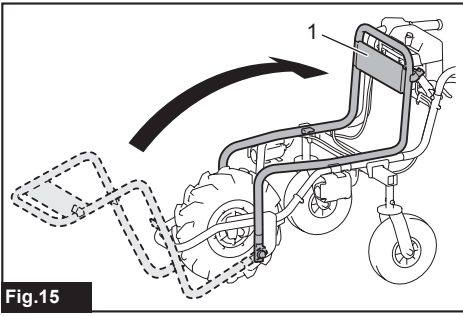


Fig.15

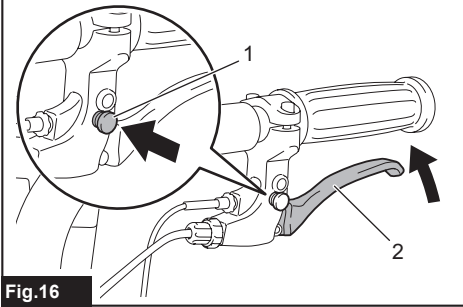


Fig.16

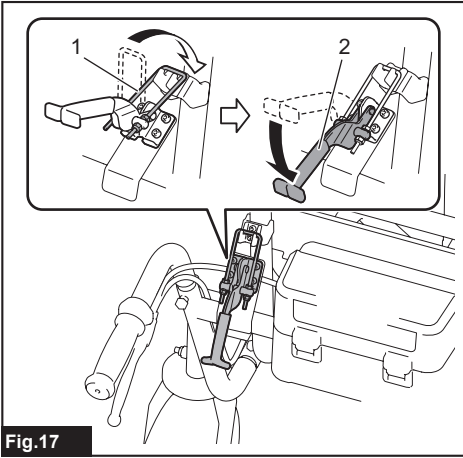


Fig.17

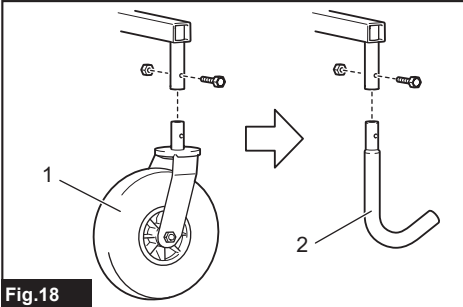


Fig.18

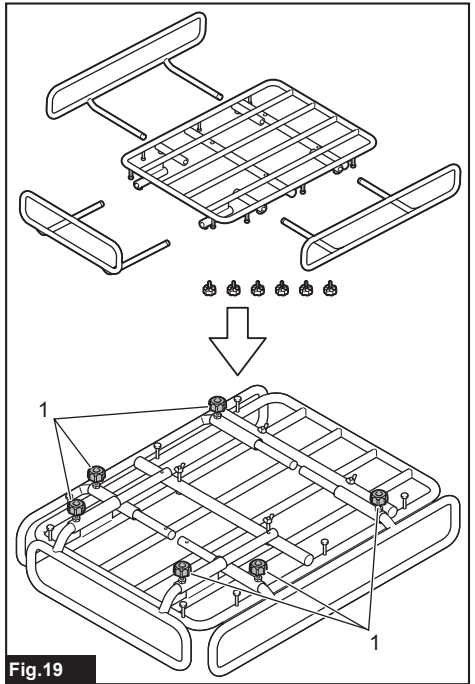


Fig.19

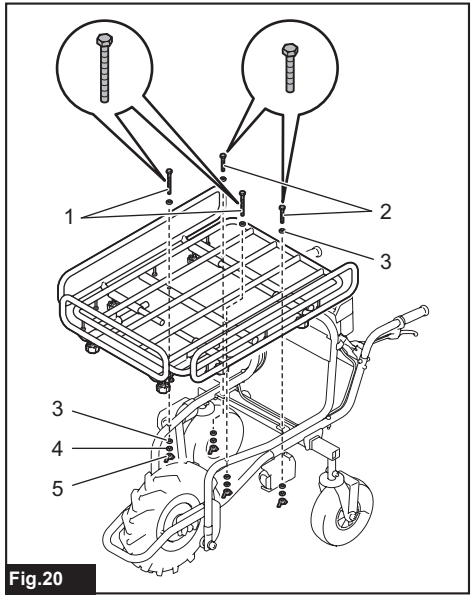


Fig.20

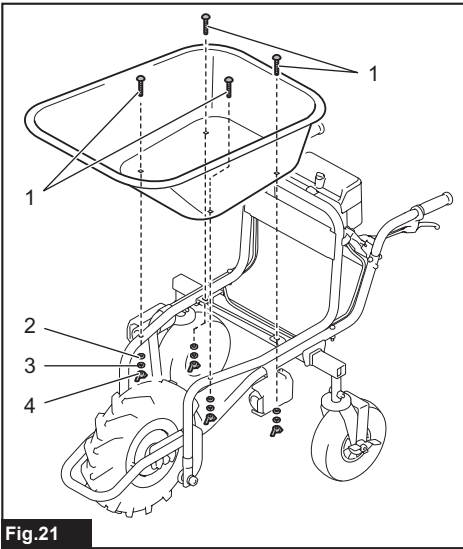


Fig.21

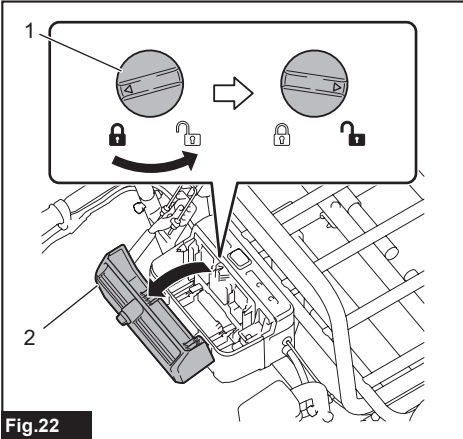


Fig.22

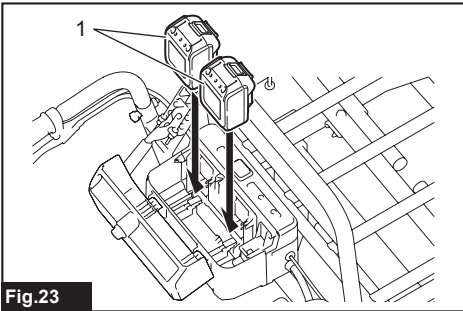


Fig.23

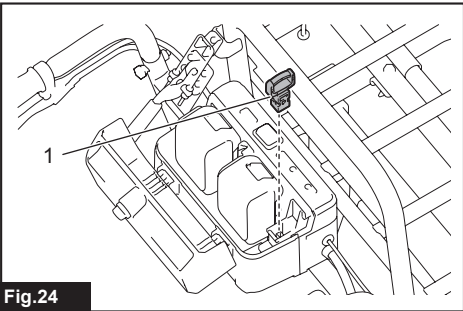


Fig.24

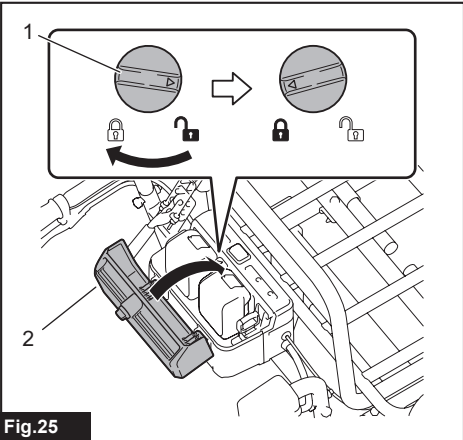


Fig.25

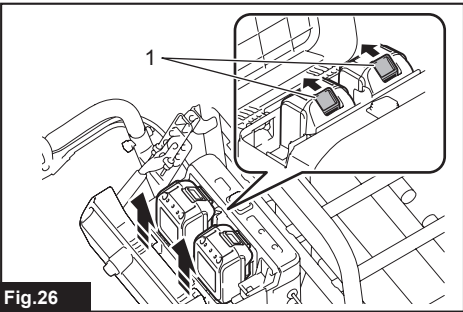
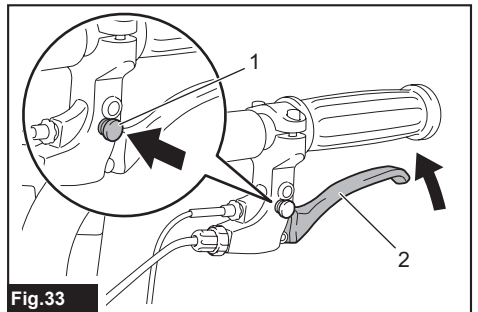
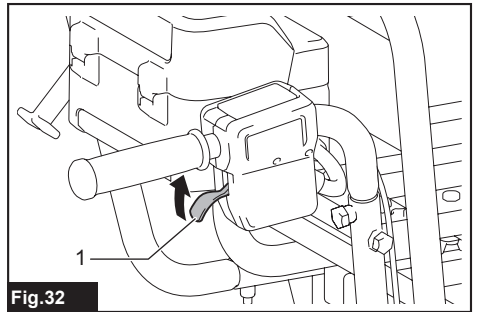
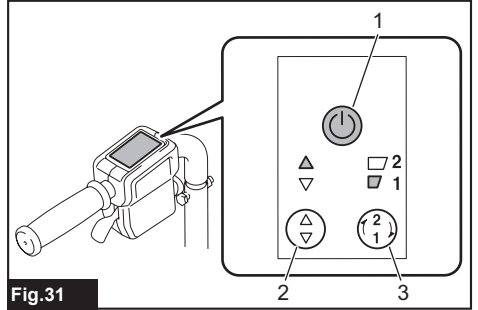
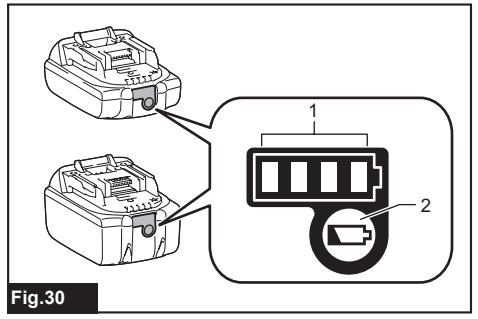
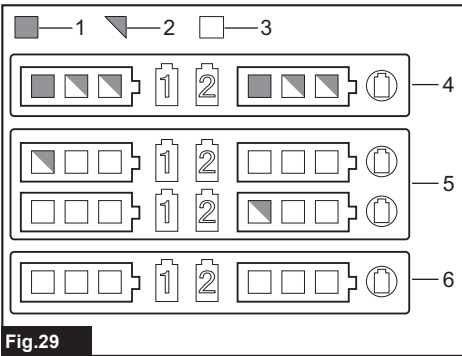
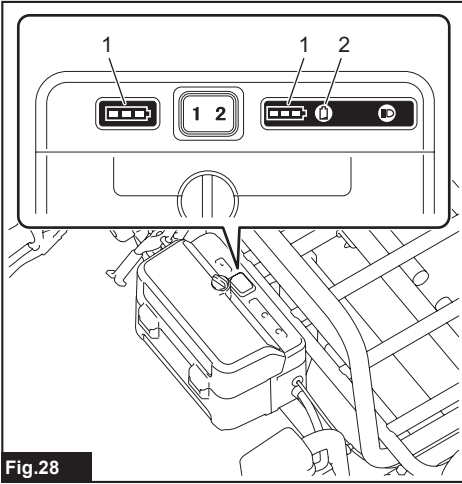
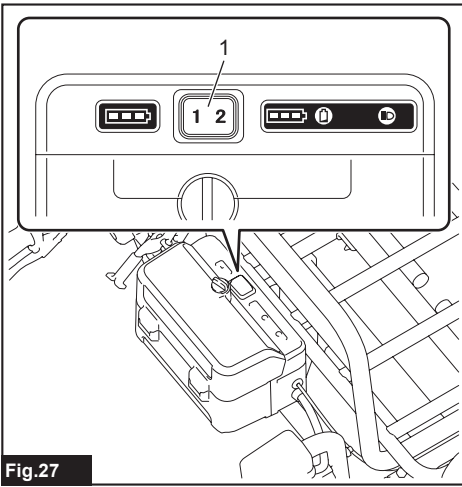


Fig.26



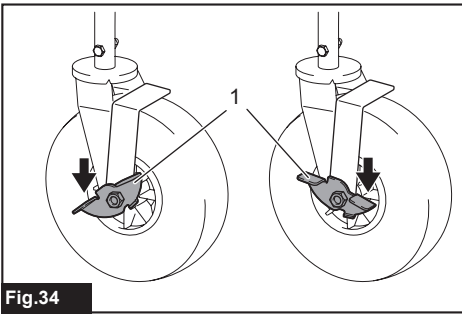


Fig.34

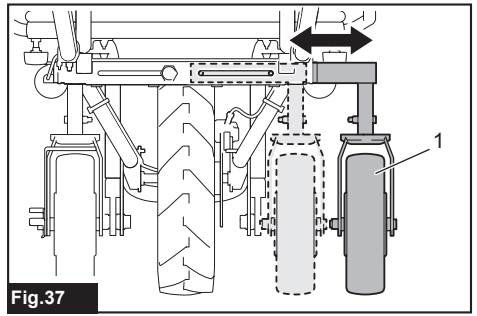


Fig.37

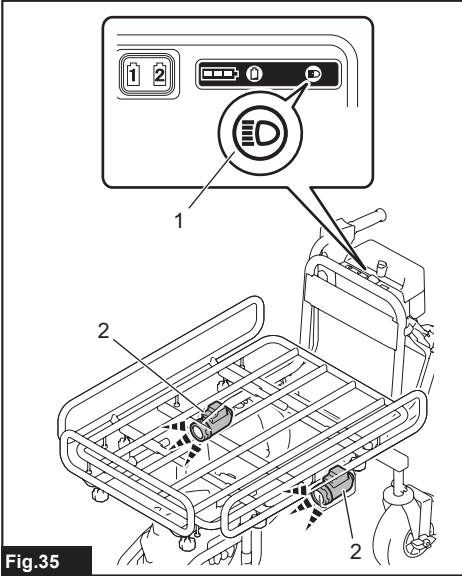


Fig.35

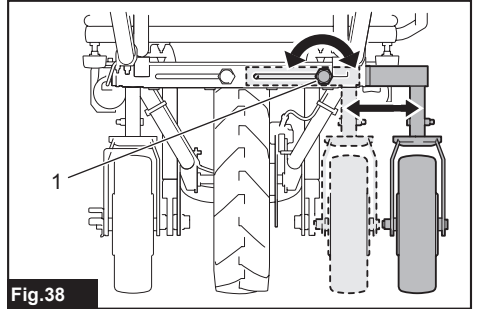


Fig.38

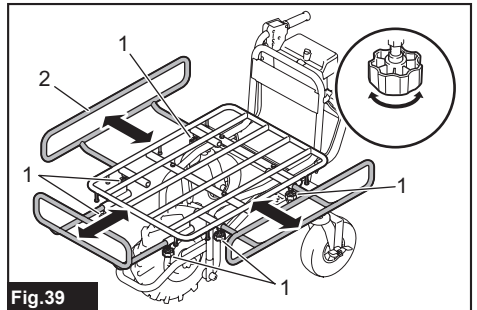


Fig.39

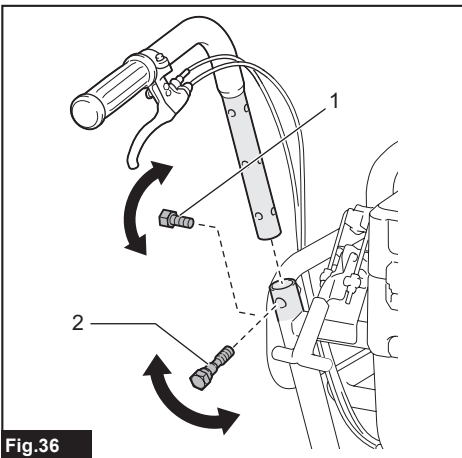


Fig.36

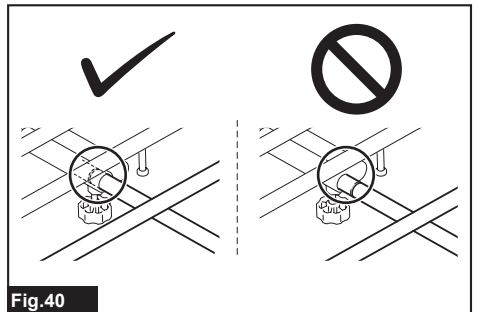


Fig.40

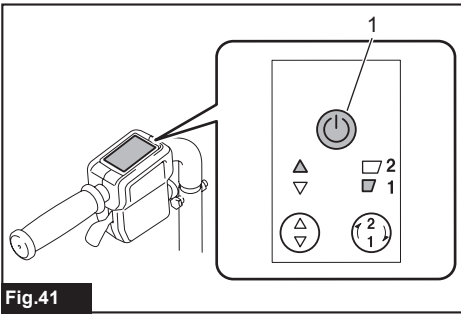


Fig.41

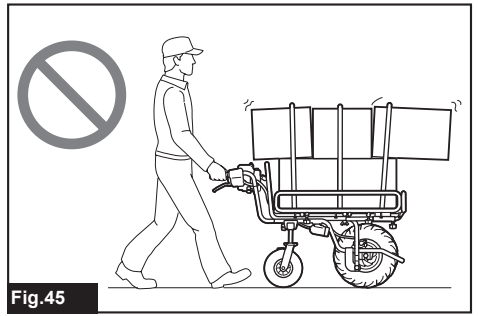


Fig.45

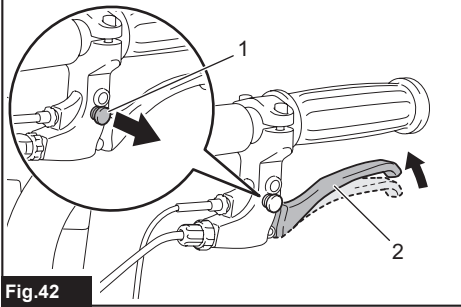


Fig.42

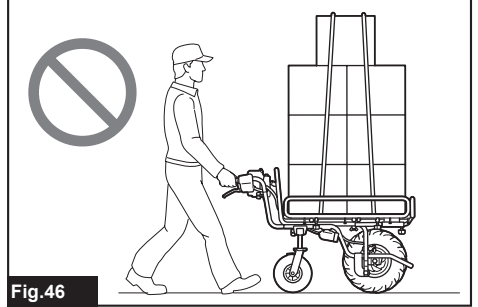


Fig.46



Fig.43

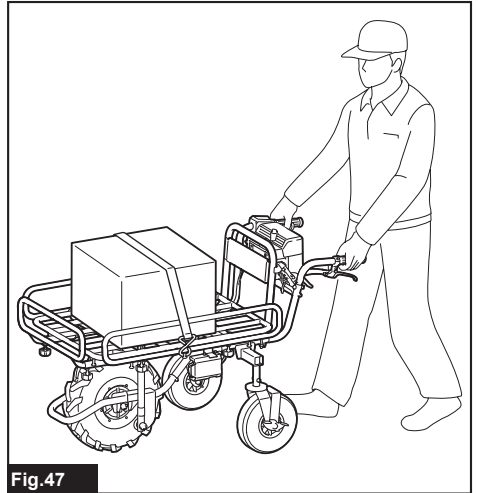


Fig.47

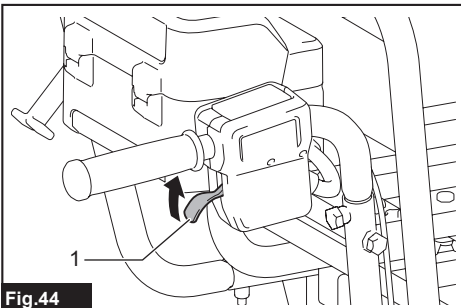


Fig.44

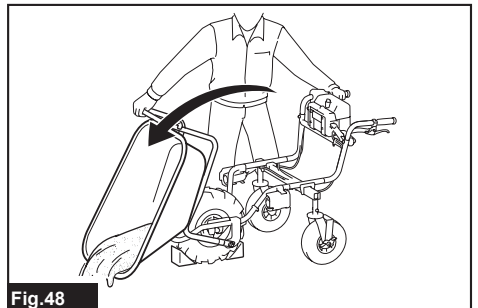


Fig.48

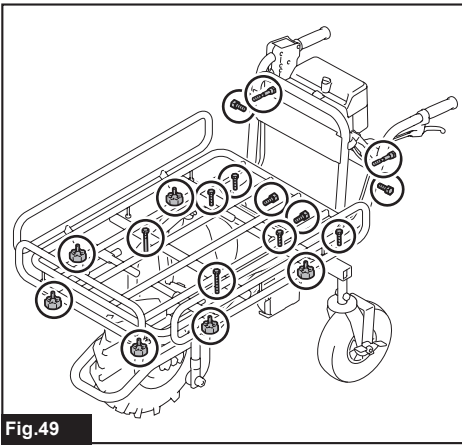


Fig.49

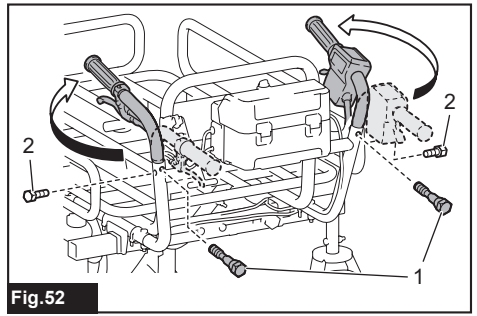


Fig.52

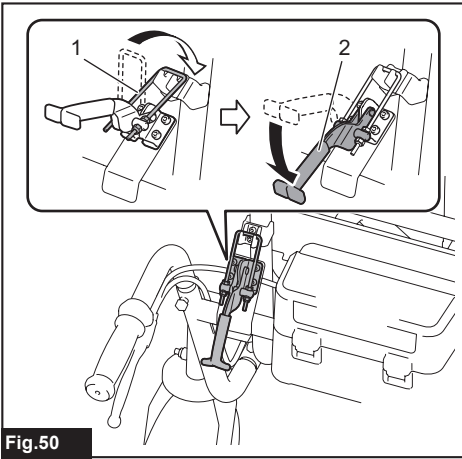


Fig.50

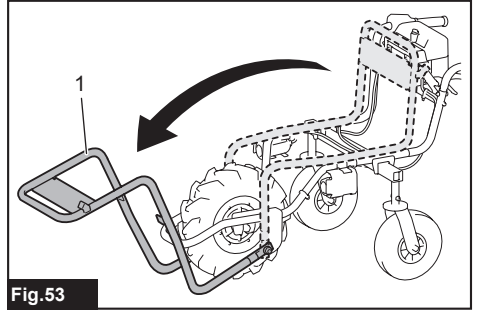


Fig.53

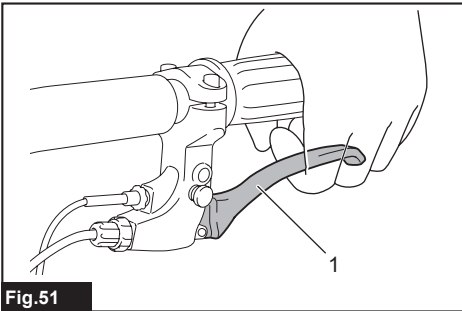


Fig.51

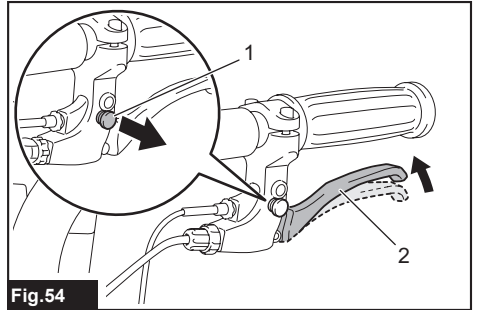


Fig.54

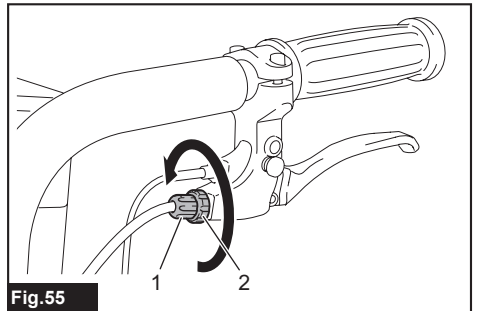
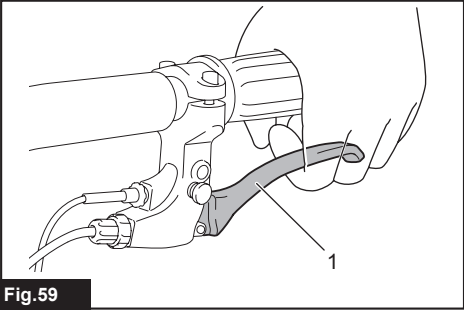
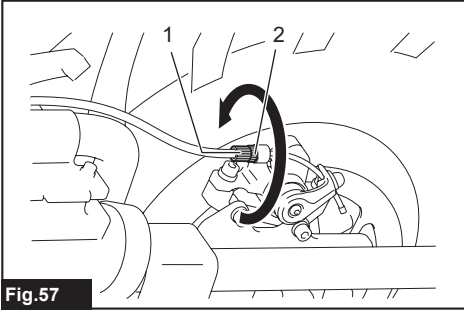
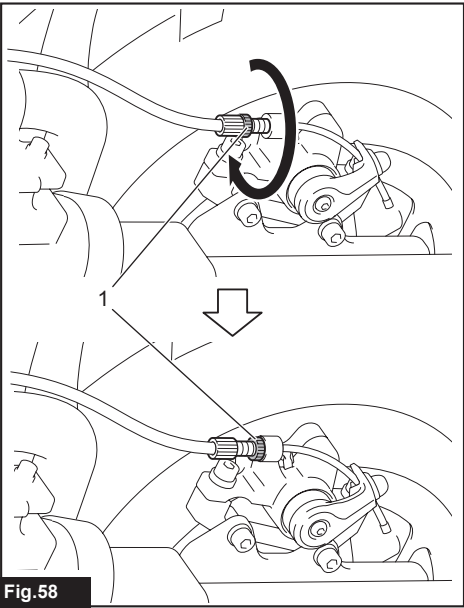
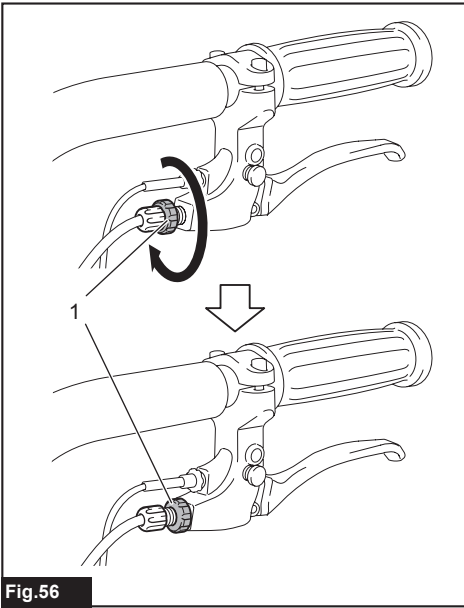
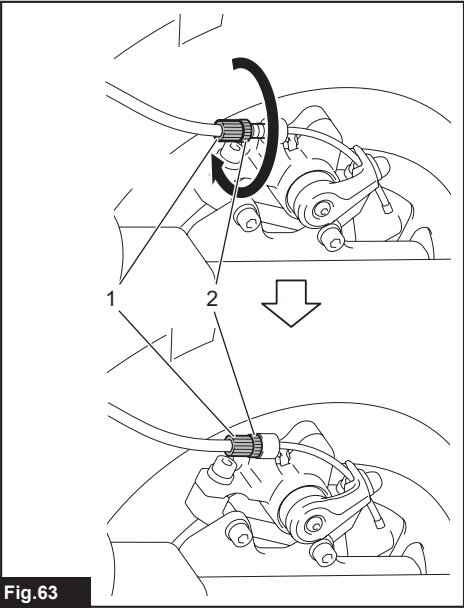
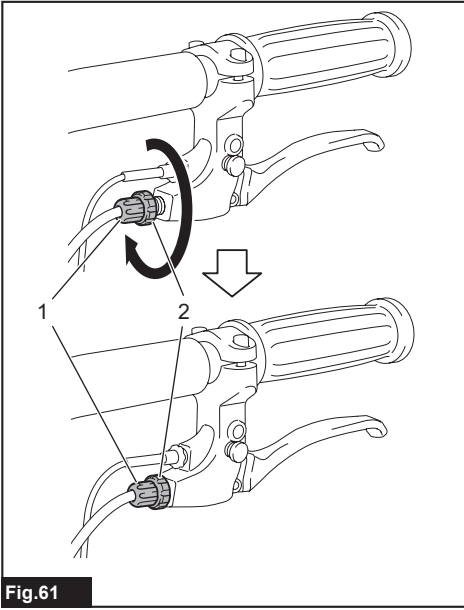
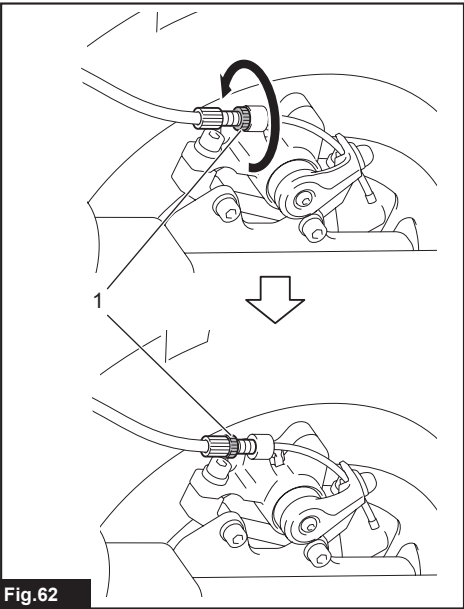
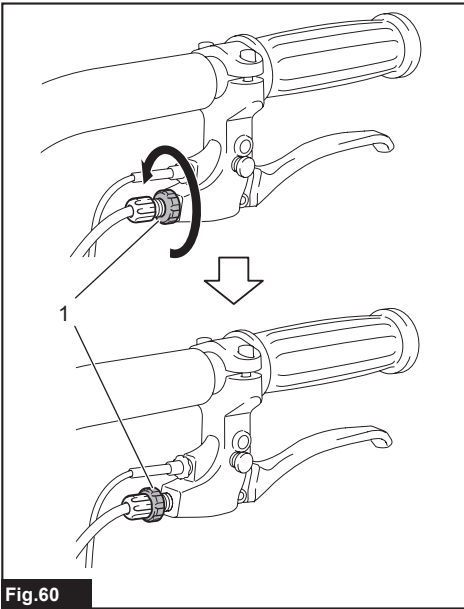


Fig.55





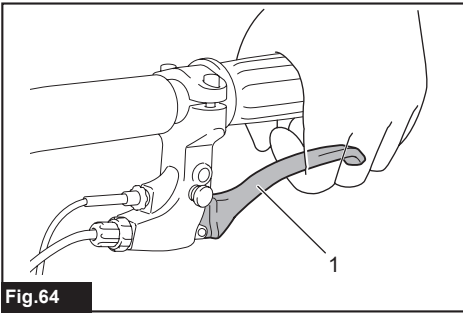


Fig.64

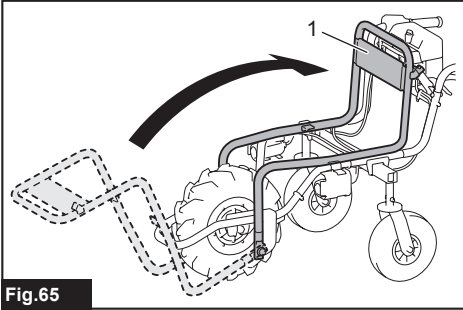


Fig.65





SPECIFICATIONS







Model:		DCU180
Dimensions (L x W x H)	When carrier is installed	During operation: 1,560 mm x 1,060 mm x 900 mm When stored: 1,110 mm x 670 mm x 820 mm
	When bucket is installed	During operation: 1,310 mm x 790 mm x 900 mm When stored: 1,110 mm x 590 mm x 820 mm
Traveling speed	Forward	1.5 or 3.5 km/h
	Reverse	1.0 km/h
Minimum turning radius		1,075 mm (Outer diameter when turning with front wheel as axis)
Maximum climbing capacity		12°
Maximum load capacity		130 kg
Brake	Front wheel	Disc brake with wire
	Rear wheel	Fixed with pedal
Tire	Front wheel	Tubeless tire
	Rear wheel	Self-sealing tire
Rated voltage		D.C. 18 V
Standard battery cartridge		BL1815N / BL1820 / BL1820B / BL1830 / BL1830B / BL1840 / BL1840B / BL1850 / BL1850B / BL1860B
Charger		DC18RC / DC18RD / DC18SD / DC18SE / DC18SF
Net weight	When carrier is installed	45 kg
	When bucket is installed	39 - 40 kg

- Due to our continuing program of research and development, the specifications herein are subject to change without notice.
- Specifications and battery cartridge may differ from country to country.
- The weight may differ depending on the attachment(s), including the battery cartridge. The lightest and heaviest combination, according to EPTA-Procedure 01/2014, are shown in the table.

Symbols

The following show the symbols used for the equipment. Be sure that you understand their meaning before use.

	Read instruction manual.
	Only for EU countries Do not dispose of electric equipment or battery pack together with household waste material! In observance of the European Directives, on Waste Electric and Electronic Equipment and Batteries and Accumulators and Waste Batteries and Accumulators and their implementation in accordance with national laws, electric equipment and batteries and battery pack(s) that have reached the end of their life must be collected separately and returned to an environmentally compatible recycling facility.
	Fully pull down the lever and check that the carrier or bucket is locked.
	Do not change the direction on steep slopes.

	Load and unload objects on flat ground.
	Load objects on the carrier or bucket evenly.
	This machine cannot be used on the public road.
	Do not use for transporting persons.
	Do not expose to rain.
	To cancel the beep sound, release the switch trigger and pull the brake lever.

Intended use

The machine is intended for loading and carrying objects.

EC Declaration of Conformity

For European countries only

The EC declaration of conformity is included as Annex A to this instruction manual.

SAFETY WARNINGS

General power tool safety warnings

⚠ WARNING: Read all safety warnings, instructions, illustrations and specifications provided with this power tool. Failure to follow all instructions listed below may result in electric shock, fire and/or serious injury.

Save all warnings and instructions for future reference.

The term "power tool" in the warnings refers to your mains-operated (corded) power tool or battery-operated (cordless) power tool.

Battery powered wheelbarrow safety warnings

- This machine cannot be used on the public road.**
- While operating the machine, always wear non-slip and protective footwear.** Non-skid, closed-toed safety boots and shoes will reduce the risk of injury.
- Inspect pathway before hauling objects/materials.** Familiarizing yourself with the pathway and ensuring it is wide enough to safely navigate the machine under load will help reduce losing control of the machine.
- Use extreme caution on slippery, loose and unstable terrain.** Wet and slippery surfaces, such as wet grassy areas, snow or ice, and loose and unstable terrain, such as sand or gravel surfaces, may cause the machine to lose traction and may adversely affect steering, braking and stability.
- Do not operate the machine on excessively steep slopes.** This reduces the risk of loss of control, slipping and falling which may result in personal injury. Slopes greater than the maximum recommended grade and side grades may increase the risk of instability and may adversely affect the ability to stop safely.
- When working on slopes, always be sure of your footing, always work across the face of slopes, never up or down, and exercise extreme caution when changing direction.** This reduces the risk of loss of control, slipping and falling which may result in personal injury.
- Whenever possible, use level areas for stopping, loading and unloading and never leave machine unattended on a slope.** The machine is more unstable when resting on a slope than when resting on a level surface.
- When stopping on slopes, face the machine uphill or downhill and block unbraked wheels.** The machine is less stable when facing across a slope. Unbraked wheels, especially those of the castor-type, can potentially turn and roll downhill even while the front wheel parking brake is set.
- When leaving the machine unattended, set parking brake once the machine is located in a safe stopping area.** The parking brake prevents unwanted movement of the front wheel and can improve stability.
- Ensure that ramps are clean, strong and secure.** In order to reduce the risk of injury, all ramps must be clear of loose debris and strong enough to withstand the weight of anticipated loads that will be moved over them. They must have adequate blocking underneath and to both sides to eliminate deflections and side-to-side movement under load. All ramps must be wide enough to have sure footing while hauling loads across them.
- Avoid extending ramps without toe boards or railings over open spaces.** Elevated open spaces and open trenches invite accidental falls and increase the potential for serious injury. Use toe boards or railings on ramps over open spaces to prevent driving the machine off the ramp.
- Ensure all locking screws are tightly secure before using.** Locking screws on the rear wheels and open-type carrier front and side walls must be secure to prevent unwanted movement of these adjustable parts of the machine.
- Never operate the machine in an overloaded condition.** Make sure the machine has the proper capacity rating for the objects or materials that have to be hauled. Excessive loads will make the machine more difficult to maneuver and stop, will increase stopping time and distance, and will increase the risk of instability.
- Never operate your machine in an over stacked condition.** Stacking material above the tray rim or over the sides of the tray can cause the machine to be uncontrollably out of balance and control.
- Use containers and tie-downs to secure loads.** Loose and/or insecure loads are more likely to shift which can result in loss of stability and control.
- Always maintain a firm grip on handles.** Loss of control can increase the risk of personal injury.
- Remove safety key when not in use.** The safety key prevents unwanted, powered use of the machine, such as by children or other untrained or unauthorized persons. Without the key, electric power cannot be turned "on".
- Use a sturdy plate with anti-slip and detachment prevention function when loading and/or unloading this machine for transportation, or moving this machine between different levels.** Make sure the plate inclination does not exceed 12°, and operate the machine slowly and carefully. Unstable and quick operation may result in overturn and/or falling.
- Do not disassemble, repair, or modify this machine.**

Operation

- When operating the machine, stand behind the machine and hold the handles firmly.**
- Do not operate the machine while riding on the machine.**
- Do not allow others to ride on the machine.**
- When operating the machine in reverse and walking backward, watch behind you and be careful not to slip or trip.**
- Do not use the machine when visibility is poor because there is a risk of striking obstacles.**
- When operating the machine on rough ground, decrease speed and exercise caution.**

7. When using the machine, avoid soft ground to prevent overturn due to the shoulder of the road collapsing.
8. Do not operate the machine on upward slopes greater than 12°.
9. If you find an abnormality, stop the machine on flat ground. Before inspecting the machine, pull the brake lever and lock the brake, and then turn the power off.
10. Before operating the machine, make sure that the lock lever is fully pulled down and completely locked. If the lock is incomplete, there is a risk of accident or injury as the carrier or bucket may be tilted and the objects fall when going downhill.
11. Be careful not to entangle the cords with the load or obstacles.
9. When extending the front and side rails, do not extend them over the extension limit. Be sure to extend the side rails so that the right and left sides are the same length, and load objects evenly.
10. Load and unload objects on flat ground.
11. When lifting and tilting the carrier or bucket, hold the handles and frame firmly, and work in a stable posture.

Maintenance

1. Always be sure to park the machine on flat ground and lock the brake lever before storage or attempting to perform inspections or maintenance.

SAVE THESE INSTRUCTIONS.

⚠WARNING: DO NOT let comfort or familiarity with product (gained from repeated use) replace strict adherence to safety rules for the subject product. MISUSE or failure to follow the safety rules stated in this instruction manual may cause serious personal injury.

Important safety instructions for battery cartridge

Operation on slopes

1. Do not cross on slopes.
2. Be sure to decrease speed and exercise caution.
3. Exercise caution when starting or stopping the machine on slopes.
4. As the loads become less stable on slopes, firmly secure the loads with ropes.
5. As the machine becomes unstable depending on the condition of the road, keep the load to a minimum.
6. As the view is obscured on slopes, keep the height of the load to a minimum.
7. Never park the machine on steep slopes. Park the machine on flat ground, pull the brake lever and lock the brake, and then turn the power off.
8. Do not change the direction or speed mode on steep slopes.
9. Do not release the switch trigger on upward slopes. The machine may go in reverse and cause an accident.
10. Make sure that the remaining battery capacity is enough before operating on slopes. If the remaining battery capacity is not enough, charge the battery or replace it with a charged one.

Loading objects

1. Do not overload objects. When loading objects, be sure to follow the instructions and load limits in the manual.
2. Firmly secure the objects with ropes.
3. Load the objects within the carrier or bucket. If the objects protrude from the carrier or bucket, there is a risk of accidents due to the objects falling or contact obstacles such as walls.
4. Be sure that loaded objects are below eye level. If the load is too high, it is dangerous because the view is obscured. Also, there is a risk of overturning and injury because the load is likely to be unbalanced.
5. Load the objects on the carrier or bucket evenly. If the objects are loaded unevenly, there is a risk of overturning and injury because the load is likely to be unbalanced.
6. Before loading the objects or operating the machine, make sure that the lock lever is fully pulled down and completely locked.
7. Be sure to load heavy objects first to keep balance.
8. Do not extend the front and side rails on steep slopes. Extend the side rails when lightweight objects are loaded.

1. Before using battery cartridge, read all instructions and cautionary markings on (1) battery charger, (2) battery, and (3) product using battery.
2. Do not disassemble battery cartridge.
3. If operating time has become excessively shorter, stop operating immediately. It may result in a risk of overheating, possible burns and even an explosion.
4. If electrolyte gets into your eyes, rinse them out with clear water and seek medical attention right away. It may result in loss of your eyesight.
5. Do not short the battery cartridge:
 - (1) Do not touch the terminals with any conductive material.
 - (2) Avoid storing battery cartridge in a container with other metal objects such as nails, coins, etc.
 - (3) Do not expose battery cartridge to water or rain.

A battery short can cause a large current flow, overheating, possible burns and even a breakdown.
6. Do not store the tool and battery cartridge in locations where the temperature may reach or exceed 50 °C (122 °F).
7. Do not incinerate the battery cartridge even if it is severely damaged or is completely worn out. The battery cartridge can explode in a fire.
8. Be careful not to drop or strike battery.
9. Do not use a damaged battery.
10. The contained lithium-ion batteries are subject to the Dangerous Goods Legislation requirements. For commercial transports e.g. by third parties, forwarding agents, special requirement on packaging and labeling must be observed.

For preparation of the item being shipped, consulting an expert for hazardous material is required. Please also observe possibly more detailed national regulations.

Tape or mask off open contacts and pack up the battery in such a manner that it cannot move around in the packaging.

11. Follow your local regulations relating to disposal of battery.

SAVE THESE INSTRUCTIONS.

CAUTION: Only use genuine Makita batteries. Use of non-genuine Makita batteries, or batteries that have been altered, may result in the battery bursting causing fires, personal injury and damage. It will also void the Makita warranty for the Makita tool and charger.

Tips for maintaining maximum battery life

1. Charge the battery cartridge before completely discharged. Always stop tool operation and charge the battery cartridge when you notice less tool power.
2. Never recharge a fully charged battery cartridge. Overcharging shortens the battery service life.
3. Charge the battery cartridge with room temperature at 10 °C - 40 °C (50 °F - 104 °F). Let a hot battery cartridge cool down before charging it.
4. Charge the battery cartridge if you do not use it for a long period (more than six months).

PARTS DESCRIPTION

Parts description (when the carrier is installed)

► Fig.1

1	Control panel	2	Handle
3	Switch trigger	4	Battery box
5	Brake lever for front wheel	6	Rear wheel
7	Brake pedal for rear wheel	8	Lamp
9	Front wheel	10	Carrier

Parts description (when the bucket is installed)

► Fig.2

1	Control panel	2	Handle
3	Switch trigger	4	Battery box
5	Brake lever for front wheel	6	Rear wheel
7	Brake pedal for rear wheel	8	Lamp
9	Front wheel	10	Bucket

ASSEMBLY

CAUTION: Always be sure that the machine is switched off and the battery cartridge is removed before carrying out any work on the machine.

Assembling main unit

1. Take out the base unit and handles from the box.
► Fig.3

NOTICE: Be sure to take out the base unit and handles together, so that excessive force is not applied to the cords.

2. Place the packing material under the rear side of the base unit.

► Fig.4: 1. Packing material

3. Insert the rear wheels into the frame.

► Fig.5: 1. Rear wheel

► Fig.6: 1. Rear wheel

NOTE: The support legs can be attached instead of the rear wheels.

4. Attach the spring washer and the washer to the short hexagonal bolt, and then tighten them using the wrench included in the package.

► Fig.7: 1. Short hexagonal bolt 2. Spring washer
3. Washer

► Fig.8

NOTICE: Be sure to use the short hexagonal bolts to tighten the rear wheels.

NOTICE: Fix the rear wheels at the same position on both sides.

5. Raise the handles, and then insert them into the base unit.

► Fig.9

NOTICE: Do not allow the cords inside area "A" in the figure. Long objects may be entangled with the cords and cause accidents.

NOTICE: Do not apply excessive force to the cords when raising and inserting the handles.

NOTICE: Be sure to raise the handles with both hands.

6. Open the carrier frame toward the front.

► Fig.10: 1. Carrier frame

7. Unfold the handles, then insert the long hexagonal bolts into the base unit, and then tighten the nuts with the wrench included in the package.

► Fig.11: 1. Long hexagonal bolt

8. Tighten the shoulder bolts from the rear using the wrench included in the package.

► Fig.12: 1. Shoulder bolt

9. Tighten the short hexagonal bolts from both sides using the wrench included in the package to fix the handles.

► Fig.13: 1. Short hexagonal bolt

NOTICE: Do not tighten the short hexagonal bolts with excessive force. Tighten them with proper force so that the handles are stably fixed.

NOTICE: Do not pinch the cords with the bolts.

10. Fix the cords with the clamps.
▶ **Fig.14:** 1. Clamp
11. Fold the carrier frame.
▶ **Fig.15:** 1. Carrier frame
12. Press the lock button while pulling the brake lever to lock the brake.
▶ **Fig.16:** 1. Lock button 2. Brake lever

CAUTION: If the rear wheels are installed, press the brake pedal for the rear wheel to lock the rear wheel.

13. Hook the carrier lock, and then pull down the lock lever to lock the carrier.
▶ **Fig.17:** 1. Carrier lock 2. Lock lever

NOTICE: Make sure that the lock lever is locked securely.

NOTICE: Do not pinch the cords with the lock lever.

NOTE: If you attach the support legs instead of the rear wheels, remove the rear wheels from the frames, and then attach the support legs to the frames.

- ▶ **Fig.18:** 1. Rear wheel 2. Support leg

Assembling and installing carrier

Optional accessory

1. Take out the carrier from the box, attach the front and side rails to the base frame, and then tighten the thumb nuts to fix the rails.
▶ **Fig.19:** 1. Thumb nut
2. Place the carrier on the base unit, and then insert the hexagonal bolts and washers into the frames from the top. Tighten the washers and spring washers and butterfly nuts from the bottom to fix the carrier.
▶ **Fig.20:** 1. Long hexagonal bolt 2. Short hexagonal bolt 3. Washer 4. Spring washer 5. Butterfly nut

NOTICE: Use the long bolts for the front, and the short bolts for the rear.

Installing bucket

Optional accessory

Place the bucket on the base unit, insert the hexagonal bolts into the frames, and then tighten the washers and spring washers and butterfly nuts from the bottom to fix the bucket.

- ▶ **Fig.21:** 1. Hexagonal bolt 2. Washer 3. Spring washer 4. Butterfly nut

FUNCTIONAL DESCRIPTION

Installing or removing battery cartridge

CAUTION: Always switch off the machine before installing or removing of the battery cartridge.

CAUTION: Make sure that you lock the battery cover before use. Otherwise, mud, dirt, or water may cause damage to the product or the battery cartridge.

CAUTION: Always install the battery cartridge fully until the red indicator cannot be seen. If not, it may accidentally fall out of the machine, causing injury to you or someone around you.

CAUTION: Do not install the battery cartridge forcibly. If the cartridge does not slide in easily, it is not being inserted correctly.

CAUTION: Do not use the high-temperature battery cartridge. When the high-temperature battery cartridge is used, the machine stops automatically before a short beep sound is emitted, and may cause an injury.

Installing the battery cartridge

1. Rotate the lock lever, and then open the cover of the battery box.
▶ **Fig.22:** 1. Lock lever 2. Cover
2. Align the tongue on the battery cartridge with the slot on the battery box, and then slide the cartridge until it locks in place with a little click. If you can see the red indicator on the upper side of the button, battery cartridge is not locked completely.
▶ **Fig.23:** 1. Battery cartridge
3. Insert the lock key in the place shown in the figure as far as it will go.
▶ **Fig.24:** 1. Lock key

NOTE: If the lock key is not inserted completely, the machine does not work.

4. Close the cover of the battery box, and then rotate the lock lever.
▶ **Fig.25:** 1. Lock lever 2. Cover

Removing the battery cartridge

1. Rotate the lock lever, and then open the cover of the battery box.
2. Pull out the battery cartridge from the battery box while sliding the button on the front of the cartridge.
▶ **Fig.26:** 1. Button
3. Pull out the lock key.
4. Close the cover of the battery box, and then rotate the lock lever.

Machine / battery protection system

The machine is equipped with a machine/battery protection system. This system automatically cuts off power to the motor to extend machine and battery life. The machine will automatically stop during operation if the machine or battery cartridge is under one of the following conditions. A short beep sound is emitted before the machine stops automatically. The battery indicators and LED indicators blink while the beep sound is emitted.

Overload protection

When the machine is operated in a manner that causes it to draw an abnormally high current, the machine automatically stops without any indication. In this situation, turn the machine off and remove the cause of overload, and then turn the machine on to restart.

Overheat protection

When the machine is overheated, the machine stops automatically. Let the machine cool down before turning the machine on again. The overheat protection is likely to work under high temperature environment.

Overdischarge protection

When the battery capacity becomes low, the machine stops automatically. If the machine does not operate even when the switches are operated, remove the battery cartridge and charge it.

Switching the battery cartridge

► Fig.27: 1. Battery selection switch

Up to two battery cartridges can be installed in the battery box, although the machine uses one battery cartridge for operation. Before operating the machine, select the battery cartridge used for operation by pressing the number on the battery selection switch.









NOTICE: If only one battery cartridge is installed in the battery box, be sure to select the battery box in which the battery cartridge is installed.

Indicating the remaining battery capacity on the battery box

CAUTION: Before checking the remaining battery capacities or switching the battery cartridge, be sure to stop the machine.

► Fig.28: 1. Battery indicator 2. Check button

Press the check button to indicate the remaining battery capacities. The battery indicators correspond to each battery.

Battery indicator status		Remaining battery capacity
On	Off	
		50% - 100%
		20% - 50%
		0% - 20%
		Battery not installed

CAUTION: When the battery capacity becomes low, a short beep sound is emitted. If you continue to operate the machine at low battery capacity, a long beep sound is emitted and the machine automatically stops. When you hear the short beep sound, pull the brake lever and lock the brake, and then switch the battery cartridge to a charged one or charge the battery cartridge. When the remaining battery capacity runs out, the machine suddenly stops automatically and this may cause an injury.

NOTE: If you continue to pull the switch trigger even if you hear the short beep sound, the machine stops automatically. After the machine stops automatically, the beep sound continues and the support brake (electric brake) is enabled. To cancel the beep sound and release the support brake, pull the brake lever and release the switch trigger. Do not push the machine forcibly without releasing the support brake. After releasing the support brake, you can tell which battery protection system is working by checking the battery indicator status.

► Fig.29: 1. Lighting 2. Blinking 3. Turned off 4. Overheat protection 5. Overdischarge protection 6. Overload protection

CAUTION: If the beep sound is emitted while operating on slopes or the machine stops automatically on slopes, move the machine to a safe place, lock the brake, and then switch the battery cartridge to a charged one or charge the battery cartridge.

If the load is large, and the beep sound is emitted while operating on slopes or the machine stops automatically on slopes, do not move the machine forcibly. Lock the brake, pay attention to safety and switch the battery cartridge to a charged one, and then move the machine to a safe place. Reduce the load before operating the machine again.

NOTE: You can check the remaining battery capacity even if the lock key is not inserted.

Indicating the remaining battery capacity

Only for battery cartridges with the indicator

► **Fig.30:** 1. Indicator lamps 2. Check button

Press the check button on the battery cartridge to indicate the remaining battery capacity. The indicator lamps light up for a few seconds.

Indicator lamps			Remaining capacity
Lighted	Off	Blinking	
■	□	▧	75% to 100%
■ ■ ■ ■			
■ ■ ■ □			50% to 75%
■ ■ □ □			25% to 50%
■ □ □ □			0% to 25%
▧ □ □ □			Charge the battery.
■ ■ □ □	↑ ↓	□ □ ■ ■	The battery may have malfunctioned.

NOTE: Depending on the conditions of use and the ambient temperature, the indication may differ slightly from the actual capacity.

Control panel

► **Fig.31:** 1. Power button 2. Forward/reverse button 3. Speed button

To turn the power on, press the power button for a few seconds. Press the forward/reverse button to switch between the forward mode and reverse mode. Press the speed button to switch between low speed and high speed. When the power is turned on, the forward mode and low speed are set. To turn the power off, press the power button for a few seconds.

NOTE: The forward/reverse button is not available while pulling the switch trigger.

NOTE: A short beep sound comes out when operating the machine in reverse.

NOTE: The speed button is not available when operating the machine in reverse.

Switch and brake action

⚠ WARNING: Before installing the battery cartridge into the machine, always check to see that the switch trigger actuates properly and returns to the "OFF" position when released.

To start the machine, pull the switch trigger. To stop the machine, release the switch trigger and pull the brake lever. To lock the brake lever, press the lock button while pulling the brake lever. To release the lock, pull the brake lever.

► **Fig.32:** 1. Switch trigger

► **Fig.33:** 1. Lock button 2. Brake lever

Rear wheel brake

The rear wheel on the left side is equipped with a brake. Press the brake pedal toward the front to lock the brake. To release the brake, press the brake pedal toward the rear.

► **Fig.34:** 1. Pedal

Lighting up the front lamps

Press the lamp button on the battery box to light up the lamps. To turn off the lamps, press the lamp button again.

► **Fig.35:** 1. Lamp button 2. Lamp

NOTE: The lamps go off if the machine is left unattended for approximately 10 minutes.

NOTE: The lamps go off when the power is turned off.

NOTE: You can light up the lamps even if the lock key is not inserted.

Adjusting the handle height

Remove the short hexagonal bolts and shoulder bolts using the wrench included in the package, and then adjust the handle height. The height can be adjusted to three levels. Tighten the shoulder bolts and short hexagonal bolts to fix the handle.

► **Fig.36:** 1. Short hexagonal bolt 2. Shoulder bolt

NOTICE: Fix the left and right handles at the same height.

NOTICE: Do not tighten the short hexagonal bolts with excessive force. Tighten them with proper force so that the handles are stably fixed.

NOTICE: Do not pinch the cords with the bolts.

Adjusting the width of the rear wheels

Loosen the short hexagonal bolts using the wrench included in the package, and then slide the rear wheels.

► **Fig.37:** 1. Rear wheel

Tighten the short hexagonal bolts using the wrench included in the package to fix the wheels.

► **Fig.38:** 1. Short hexagonal bolt

⚠ CAUTION: Extend the rear wheels to the maximum to keep balance. When the rear wheels are not extended, keep the load to a minimum.

NOTICE: Fix the rear wheels at the same position on both sides.

Adjusting the width of the carrier

Loosen the 6 thumb nuts, and then slide the front and side rails. Tighten the thumb nuts to fix the front and side rails.

► Fig.39: 1. Thumb nut 2. Rail

CAUTION: Do not slide the rails beyond the limit mark.

► Fig.40

OPERATION

Operating the machine

NOTICE: The front wheel is driven by battery power in this machine. Use this machine to assist with carrying operations.

NOTICE: Be sure to insert the lock key in the battery box before the operation. If the lock key is not inserted, a short beep sound is emitted when you pull the switch trigger. The beep sound stops by releasing the switch trigger and pulling the brake lever.

1. Select the battery cartridge with the battery selection switch.

2. Press the power button on the control panel for a few seconds to turn the power on.

► Fig.41: 1. Power button

3. Pull the brake lever to release the lock of the brake lever.

► Fig.42: 1. Lock button 2. Brake lever

NOTE: Release the rear wheel brake if the rear wheels are installed.

4. Hold the handles firmly with both hands.

► Fig.43

5. Pull the switch trigger.

► Fig.44: 1. Switch trigger

Loading objects

CAUTION: Before loading objects on the machine, make sure that the power is off and the brake lever is locked.

CAUTION: If the rear wheels are installed, make sure that the rear wheel brake is locked before loading objects on the machine.

CAUTION: Before loading objects on the machine, make sure that the carrier or bucket is locked.

CAUTION: Be sure to load objects within the carrier or bucket. If objects are sticking out of the carrier or bucket, they may fall or collapse if they touch obstacles.

► Fig.45

CAUTION: Be sure to load objects so that they are below eye level. If the load is too high, it is dangerous because the view is obscured. Also, there is a risk of overturning and injury because the load is likely to be unbalanced.

► Fig.46

When loading objects on the carrier, secure the objects with ropes and tie them down to the rope hooks.

► Fig.47

Dumping objects

CAUTION: Lift the carrier or bucket on flat and stable ground. Operation on unstable ground may cause an accident or injury.

You can dump the objects by lifting and tilting the carrier or bucket.

1. Stop the machine, and then lock the brakes.

NOTICE: It is recommended to block the front wheel to stabilize the machine.

2. Release the lock lever.

3. Stand at the side of the machine, hold the handle with one hand, and then lift and tilt the carrier or bucket by pushing up the carrier frame with the other hand.

► Fig.48

CAUTION: Hold the handle and carrier frame firmly, and work in a stable posture.

CAUTION: Keep the load to a minimum. If the load is large, do not try to lift the carrier. Reduce the load, and then lift the carrier.

CAUTION: After dumping the objects, be sure to lock the carrier or bucket.

MAINTENANCE

CAUTION: Always be sure to park the machine on flat ground and lock the brake lever before storage or attempting to perform inspections or maintenance.

CAUTION: If the rear wheels are installed, make sure that the rear wheel brake is locked before storage, inspections, or maintenance.

CAUTION: Always be sure that the lock key and battery cartridge are removed from the machine before storage, inspections, or maintenance.

CAUTION: Always remove the lock key when the machine is not in use. Store the lock key in a safe place out of reach of children.

Periodic checks

- Check that the bolts and nuts are tightened firmly.
▶ **Fig.49**
- Check that the carrier is locked when the lock lever is fully pulled down.
▶ **Fig.50:** 1. Carrier lock 2. Lock lever
- Check that the brake lever works properly.
▶ **Fig.51:** 1. Brake lever

⚠ WARNING: If the brake lever reaches the handle when you fully pull the lever, the brake is not working properly. Adjust the brake, or ask your local Makita Service Center for repairs.

- Check to see if the front wheel is not damaged or flat.

Cleaning the machine

NOTICE: Never use gasoline, benzine, thinner, alcohol or the like. Discoloration, deformation or cracks may result.

NOTICE: Pour the water below the carrier or bucket when cleaning the machine with running water. Do not use the high pressure washer for cleaning.

Remove mud, dirt, and the like from the machine. Clean the machine with running water. After the cleaning, wipe the machine with a dry cloth.

Storage

Remove the lock key. Store the machine in a safe place out of the reach of children.

When storing the machine, the handles can be turned toward the front. Remove the short hexagonal bolts and shoulder bolts using the wrench included in the package. Turn the handles toward the outside, and then rotate the handles to the front. Tighten the shoulder bolts and short hexagonal bolts to fix the handles.

- ▶ **Fig.52:** 1. Shoulder bolt 2. Short hexagonal bolt

NOTICE: Do not tighten the short hexagonal bolts with excessive force. Tighten them with proper force so that the handles are stably fixed.

NOTICE: Do not pinch the cords with the bolts.

Adjusting the brake

⚠ CAUTION: If the rear wheels are installed, be sure to lock the rear wheel brake before adjusting the brake.

1. Remove the carrier or bucket, and then open the carrier frame.
▶ **Fig.53:** 1. Carrier frame
2. Pull the brake lever to release the lock button of the brake lever.
▶ **Fig.54:** 1. Lock button 2. Brake lever
3. Loosen the adjusting sleeve and fixing nut.
▶ **Fig.55:** 1. Adjusting sleeve 2. Fixing nut

4. Tighten the fixing nut only.

▶ **Fig.56:** 1. Fixing nut

5. Loosen the adjusting sleeve and fixing nut.

▶ **Fig.57:** 1. Adjusting sleeve 2. Fixing nut

6. Tighten the fixing nut only.

▶ **Fig.58:** 1. Fixing nut

7. Make sure that the brake lever is in the halfway position when it is fully pulled. If the brake lever is in the halfway position, go to step 13. If the brake lever is not in the halfway position, go to step 8.

▶ **Fig.59:** 1. Brake lever

8. Loosen the fixing nut only.

▶ **Fig.60:** 1. Fixing nut

9. Tighten the fixing nut and adjusting sleeve together.

▶ **Fig.61:** 1. Adjusting sleeve 2. Fixing nut

10. Loosen the fixing nut only.

▶ **Fig.62:** 1. Fixing nut

11. Tighten the fixing nut and adjusting sleeve together.

▶ **Fig.63:** 1. Adjusting sleeve 2. Fixing nut

12. Make sure that the brake lever is in the halfway position when it is fully pulled.

▶ **Fig.64:** 1. Brake lever

13. Fold the carrier frame, and then attach the carrier or bucket.

▶ **Fig.65:** 1. Carrier frame

OPTIONAL ACCESSORIES

⚠ CAUTION: These accessories or attachments are recommended for use with your Makita tool specified in this manual. The use of any other accessories or attachments might present a risk of injury to persons. Only use accessory or attachment for its stated purpose.

If you need any assistance for more details regarding these accessories, ask your local Makita Service Center.

- Carrier
- Bucket
- Makita genuine battery and charger

NOTE: Some items in the list may be included in the tool package as standard accessories. They may differ from country to country.





SPECIFIKATIONER






Modell:		DCU180
Dimensioner (L x B x H)	När överdelen är monterad	Vid användning: 1 560 mm x 1 060 mm x 900 mm Vid förvaring: 1 110 mm x 670 mm x 820 mm
	När behållaren är monterad	Vid användning: 1 310 mm x 790 mm x 900 mm Vid förvaring: 1 110 mm x 590 mm x 820 mm
Rullhastighet	Framåt	1,5 eller 3,5 km/h
	Bakåt	1,0 km/h
Minsta vändradie		1 075 mm (ytterdiameter vid vändning runt framhjulets axel)
Max. klättringskapacitet		12°
Max. lastkapacitet		130 kg
Broms	Framhjul	Skivbroms med vajer
	Bakhjul	Fast med pedal
Däck	Framhjul	Slanglöst däck
	Bakhjul	Självvtätande däck
Märkspänning		18 V likström
Standardbatterikassett		BL1815N / BL1820 / BL1820B / BL1830 / BL1830B / BL1840 / BL1840B / BL1850 / BL1850B / BL1860B
Laddare		DC18RC / DC18RD / DC18SD / DC18SE / DC18SF
Nettovikt	När överdelen är monterad	45 kg
	När behållaren är monterad	39 - 40 kg

- På grund av vårt pågående program för forskning och utveckling kan dessa specifikationer ändras utan föregående meddelande.
- Specifikationer och batterikassett kan variera mellan olika länder.
- Vikten kan variera beroende på tillbehören, inklusive batterikassett. Den lättaste och den tyngsta kombinationen enligt EPTA-procedur 01/2014 visas i tabellen.

Symboler

Följande visar symbolerna som används för utrustningen. Se till att du förstår innebörden innan du använder bormaskinen.

	Läs igenom bruksanvisningen.
	Gäller endast inom EU Elektrisk utrustning eller batteripaket får inte kastas i hushållsavfallet! Enligt EU-direktiven som avser förbrukat elektrisk och elektronisk utrustning, batterier, ackumulatörer, förbrukade batterier och ackumulatörer, samt direktivens tillämpning enligt nationell lagstiftning, ska utjänt elektrisk utrustning, batterier och batteripaket sorteras separat och lämnas till miljövänlig återvinning.
	Dra spaken hela vägen ner och kontrollera att överdelen eller behållaren är låst.
	Byt inte riktning i branta sluttningar.

	Lasta och lossa föremål på plan mark.
	Lasta föremål jämnt på överdelen eller behållaren.
	Denna maskin får inte användas på allmän väg.
	Använd inte för att transportera personer.
	Utsätt inte för regn.
	För att stoppa det pipande ljudet, släpp avtryckaren och drar i bromsspaken.

Avsedd användning

Maskinen är avsedd för att lasta och transportera föremål.

EG-försäkring om överensstämmelse

Gäller endast inom EU

EG-försäkring om överensstämmelse inkluderas som bilaga A till denna bruksanvisning.

SÄKERHETSVARNINGAR

Allmänna säkerhetsvarningar för maskiner

⚠ VARNING: Läs alla säkerhetsvarningar, anvisningar, illustrationer och specifikationer som medföljer det här maskinen. Underlåtenhet att följa instruktionerna kan leda till elstötar, brand och/eller allvarliga personskador.

Spara alla varningar och instruktioner för framtida referens.

Termen "maskin" som anges i varningarna hänvisar till din eldrivna maskin (sladdansluten) eller batteridrivna maskin (sladdlös).

Säkerhetsvarningar för batteridrivna skottkärror

1. **Denna maskin får inte användas på allmän väg.**
2. **Bär alltid halkfria skydds skor när du använder maskinen.** Halkfria skyddsstövlar och -skor minskar risken för skada.
3. **Inspektera körsträckan innan du transporterar föremål/material.** Om du lär känna körsträckan och ser till att den är bred nog att säkert navigera maskinen på vid last blir det enklare att undvika att tappa kontroll över maskinen.
4. **Var extremt försiktig på hal, lös och ostadig mark.** Våta och hala underlag som blött gräs, snö eller is eller lös och ostadig terräng som sand och grus, kan göra så att maskinen tappar greppet, vilket i sin tur kan påverka styrning, bromsning och stabilitet.
5. **Använd inte maskinen i mycket branta sluttningar.** Detta minskar risken att tappa kontrollen, halka och ramla, vilket kan leda till personskada. Sluttningar med högre lutning än den rekommenderade kan öka risken för instabilitet och påverka möjligheten att stanna säkert.
6. **Vid arbeten i sluttningar, se alltid till att stå stadigt, alltid arbeta tvärs med sluttning, aldrig upp/ner, och utöva extrem försiktighet vid riktningssbyte.** Detta minskar risken att tappa kontrollen, halka och ramla, vilket kan leda till personskada.
7. **Om möjligt, stanna, lasta och lasta ur på plana områden och lämna aldrig maskinen utan uppsikt i en sluttning.** Maskinen är ostadigare när den står i en sluttning än när den står på en plan yta.
8. **Vid stopp i sluttningar, vänd maskinen uppåt eller nedåt och blockera obromsade hjul.** Maskinen är ostadigare om den står tvärs över en sluttning. Obromsade hjul, särskilt de som kan snurra, kan eventuellt svänga och rulla nerför backen, även om framhjulets broms är applicerad.
9. **När maskinen lämnas utan uppsikt, applicera parkeringsbromsen när maskinen står på en säker plats.** Parkeringsbromsen förhindrar oavsiktlig rörelse av framhjulet och kan förbättra stabiliteten.

10. **Se till att ramper är rena, kraftiga och säkra.** För att minska risken för skada måste alla ramper vara fria från lösa föremål och tillräckligt kraftiga för att hålla för den förväntade vikten av lasterna som ska köras på dem. De måste ha tillräckliga stöd under och på sidorna för att förhindra svaj ner och åt sidorna vid belastning. Alla ramper måste vara tillräckligt breda för att ha säkert fotfäste när man kör laster på dem.
11. **Undvik långa ramper utan fotlister eller räcken över öppna ytor.** Upphöjda ytor och diken inbjuder till olyckor (fall) och ökar risken för eventuell allvarlig skada. Använd fotlister eller räcken på ramper över öppna ytor för att förhindra att köra maskinen av rampen.
12. **Se till att alla lässkruvar är ordentligt åtdragna innan användning.** Lässkruvar på bakhjulet och öppen överdel fram och sidoväggar måste vara låsta för att förhindra oönskad rörelse av dessa justerbara delar på maskinen.
13. **Använd aldrig maskinen med överlast.** Se till att maskinen korrekt kapacitetsklass för de föremål eller material som ska fraktas. Överlast gör maskinen svår att manövrera och stanna, vilket ökar stopptiden och -avståndet, samt ökar risken för instabilitet.
14. **Använd aldrig maskinen med för hög last.** Att stapla material över trågets ovsandis eller utanför sidorna kan leda till att maskinen inte går att kontrollera.
15. **Använd behållare och remmar för att säkra laster.** Lösa och/eller osäkrade laster kan flytta sig vilket leder till instabilitet och förlust av kontroll.
16. **Ha alltid ett stadigt grepp om handtagen.** Förlust av kontroll kan öka risken för personskada.
17. **Ta bort säkerhetsnyckeln när maskinen inte används.** Säkerhetsnyckeln förhindrar oönskad, strömsatt användning av maskinen, av t.ex. barn eller andra utbildade eller ej auktoriserade personer. Utan nyckeln kan inte strömmen sättas "på".
18. **Använd en kraftig platta med halkskydd skydd så den inte kan ramla av vid lastning och/eller lossning av denna maskin för transport, eller när du flyttar den mellan olika våningar.** Se till att plattans lutning inte överstiger 12° och manövrera maskinen sakta och försiktigt. Ostadig och snabb manövrering kan leda till att maskinen välter och/eller ramlar.
19. **Demontera, reparera eller ändra inte denna maskin.**

Användning

1. **Stå bakom maskinen när du använder den och håll stadigt i handtagen.**
2. **Använd inte maskinen när du sitter i den.**
3. **Låt inte andra sitta i maskinen när du kör den.**
4. **När du backar med maskinen måste du se upp bakom dig och vara försiktig så att du inte halkar eller snavar.**
5. **Använd inte maskinen vid dålig sikt eftersom det finns en risk för att köra på föremål.**
6. **Minska hastigheten och var försiktig när du använder maskinen på ojämna mark.**
7. **När du undviker maskinen, undvik lös mark för att förhindra att välta om marken ger vika.**

8. Använd inte maskinen uppför sluttningar med en lutning överstigande 12°.
9. Om du upptäcker något onormalt, stanna maskinen på plan mark. Innan du inspekterar maskinen, dra i bromsspaken och lås bromsen, stäng sedan av strömmen.
10. Se till att låsspärren är helt nerdragen och låst innan du använder maskinen. Om låset inte är helt aktiverat finns det en risk för olycka eller skada om överdelen eller behållaren tippas och föremål ramlar ut vid färd ner för sluttningar.
11. Var försiktig så inte kablarna trasslar in sig i last eller föremål.

Användning i sluttningar

1. Kör inte utmed sluttningar.
2. Sänk hastigheten och var försiktig.
3. Var försiktig när du startar eller stannar maskinen i sluttningar.
4. Eftersom laster blir mer instabila i sluttningar måste dessa säkras ordentligt med t.ex. rep.
5. Eftersom maskinen blir instabil beroende på vägens tillstånd ska lasten hållas på ett minimum.
6. Eftersom sikten kan vara sämre i sluttningar ska lastens höjd hållas på ett minimum.
7. Parkera aldrig maskinen i branta sluttningar. Parkera maskinen på plan mark, dra i bromsspaken och lås bromsen, stäng sedan av strömmen.
8. Byt inte riktning eller ändra hastighetsläge i branta sluttningar.
9. Släpp inte avtryckaren vid körning uppåt i sluttningar. Maskinen kan börja backa och orsaka en olycka.
10. Se till att återstående batterikapacitet är tillräcklig innan du kör i sluttningar. Om återstående batterikapacitet inte är tillräckligt, ladda batteriet eller byt ut det mot ett laddat.

Lasta föremål

1. Lasta inte för många föremål. Se till att följa instruktionerna och lastgränserna i bruksanvisningen när du lastar föremål.
2. Sätt fast föremålen ordentligt med t.ex. rep.
3. Lasta föremålen inom överdelen eller behållaren. Om föremålen sticker ut utanför överdelen eller behållaren finns det en risk för olycka om föremål faller eller kommer i kontakt med andra föremål som t.ex. en vägg.
4. Se till att lastade föremål är under ögonnivå. Det är farligt om lasten är för hög eftersom sikten blir skydd. Det finns även en risk att välta och skada sid eftersom lasten blir instabil.
5. Lasta föremålen jämnt på överdelen eller behållaren. Om föremålen lastas ojämnt finns det en risk att välta och skada sid eftersom lasten blir instabil.
6. Se till att låsspärren är helt nerdragen och låst innan du lastar föremål eller använder maskinen.
7. Se till att lasta tunga föremål först för att hålla balansen.
8. Skjut inte ut räckena fram och på sidorna i branta sluttningar. Skjut ut sidoräckena när lätta föremål är lastade.

9. När räckena fram och på sidorna skjuts ut får de inte skjutas ut över gränsen. Se till att skjuta ut sidoräckena så att höre och vänster sida har samma längd och lasta föremål jämnt.
10. Lasta och lossa föremål på plan mark.
11. När överdelen eller behållaren lyfts eller lutas, håll stadigt i handtagen och ramen och arbeta i en stabil position.

Underhåll

1. Se alltid till att parkera maskinen på plan mark och låsa bromsspaken innan förvaring eller inspektion/underhåll.

SPARA DESSA ANVISNINGAR.

⚠ VARNING: GLÖM INTE att också fortsättningsvis strikt följa säkerhetsanvisningarna för maskinen även efter att du blivit van att använda den. Vid FELAKTIG HANTERING av maskinen eller om inte säkerhetsanvisningarna i denna bruksanvisning följs kan följden bli allvariga personskador.

Viktiga säkerhetsanvisningar för batterikassetten

1. Innan batterikassetten används ska alla instruktioner och varningsmärken på (1) batteriladdaren, (2) batteriet och (3) produkten läsas.
2. Montera inte isär batterikassetten.
3. Om drifttiden blivit avsevärt kortare ska användningen avbrytas omedelbart. Det kan uppstå överhettning, brännskador och t o m en explosion.
4. Om du får elektrolyt i ögonen ska de sköljas med rent vatten och läkare uppsökas omedelbart. Det finns risk för att synen förloras.
5. Kortslut inte batterikassetten.
 - (1) Rör inte vid polerna med något strömförande material.
 - (2) Undvik att förvara batterikassetten tillsammans med andra metallobjekt som t.ex. spikar, mynt o.s.v.
 - (3) Skydda batteriet mot vatten och regn. En batterikortslutning kan orsaka ett stort strömflöde, överhettning, brand och maskinhaveri.
6. Förvara inte maskinen och batterikassetten på platser där temperaturen kan nå eller överstiga 50 °C.
7. Bränn inte upp batterikassetten även om den är svårt skadad eller helt utsliten. Batterikassetten kan explodera i öppen eld.
8. Var försiktig så att du inte råkar tappa batteriet och utsätt det inte för stötar.
9. Använd inte ett skadat batteri.
10. De medföljande litiumjonbatterierna är föremål för kraven i gällande lagstiftning för farligt gods. För kommersiella transporter (av t.ex. tredje parter som speditorsfirmor) måste de särskilda transportkrav som anges på emballaget och etiketter iakttas.

För att förbereda den produkt som ska avsändas krävs att du konsulterar en expert på riskmaterial. Var också uppmärksam på att det i ditt land kan finnas ytterligare föreskrifter att följa.

Tejpa över eller maskera blottade kontakter och packa batteriet på sådant sätt att det inte kan röra sig fritt i förpackningen.

11. Följ lokala föreskrifter beträffande avfallshandling av batteriet.

SPARA DESSA ANVISNINGAR.

⚠ FÖRSIKTIGT: Använda endast äkta Makita-batterier. Användning av oäkta Makita-batterier eller batterier som har manipulerats kan leda till person- och utrustningsskador eller till att batteriet fattar eld. Det upphäver också Makitas garanti för verktyget och laddaren.

Tips för att uppnå batteriets maximala livslängd

1. Ladda batterikassetten innan den är helt urladdad. Stanna alltid maskinen och ladda batterikassetten när du märker att maskinen blir svagare.
2. Ladda aldrig en fulladdad batterikasset. Överladdning förkortar batteriets livslängd.
3. Ladda batterikassetten vid en rumstemperatur på 10 °C - 40 °C. Låt en varm batterikasset svalna innan den laddas.
4. Ladda batterikassetten om du inte har använt den på länge (mer än sex månader).

BESKRIVNING AV DELAR

Delbeskrivning (när överdelen är monterad)

► Fig.1

1	Kontrollpanel	2	Handtag
3	Avtryckare	4	Batterilåda
5	Bromsspak för framhjul	6	Bakhjul
7	Bromspedal för bakhjul	8	Lampa
9	Framhjul	10	Överdel

Delbeskrivning (när behållaren är monterad)

► Fig.2

1	Kontrollpanel	2	Handtag
3	Avtryckare	4	Batterilåda
5	Bromsspak för framhjul	6	Bakhjul
7	Bromspedal för bakhjul	8	Lampa
9	Framhjul	10	Behållare

MONTERING

⚠ FÖRSIKTIGT: Se alltid till att maskinen är avstängd och batterikassetten borttagen innan du underhåller maskinen.

Montera huvudenheten

1. Ta ut basenheten och handtagen från lådan.
► Fig.3

OBSERVERA: Se till att ta ut basenheten och handtagen tillsammans så att inte kablarna utsätts för belastning.

2. Placera emballaget under basenhetens bakre del.
► Fig.4: 1. Emballage
3. Sätt in de bakre hjulen i ramen.
► Fig.5: 1. Bakhjul
► Fig.6: 1. Bakhjul

OBS: Stödbenen kan fästas istället för de bakre hjulen.

4. Fäst fjäderbrickan och brickan på den korta sexkantsbulten och dra åt dem med den medföljande nyckeln.
► Fig.7: 1. Kort sexkantsbult 2. Fjäderbricka 3. Bricka
► Fig.8

OBSERVERA: Se till att använda den korta sexkantsbulten för att sätta fast de bakre hjulen.

OBSERVERA: Sätt fast de bakre hjulen på samma position på båda sidor.

5. Lyft upp handtagen och sätt in dem i basenheten.
► Fig.9

OBSERVERA: Lämna inte kablarna inne i område "A" på bilden. Långa föremål kan trassla in sig i kablarna och orsaka skador.

OBSERVERA: Applicera inte överdriven belastning på kablarna när du lyfter upp och sätter i handtagen.

OBSERVERA: Se till att lyfta upp handtagen med båda händerna.

6. Sätt fast överdelens ram med den öppna sidan vänd framåt.
► Fig.10: 1. Överdelens ram
7. Vik upp handtagen, sätt in de långa sexkantsbultarna i basenheten och dra åt muttrarna med den medföljande nyckeln.
► Fig.11: 1. Lång sexkantsbult
8. Dra åt ansatsbultarna bakifrån med den medföljande nyckeln.
► Fig.12: 1. Ansatsbult
9. Dra åt de korta sexkantsbultarna från båda sidor med den medföljande nyckeln för att fixera handtagen.
► Fig.13: 1. Kort sexkantsbult

OBSERVERA: Dra inte åt de korta sexkantsbultarna för hårt. Dra åt dem med korrekt moment så att handtagen sitter ordentligt.

OBSERVERA: Kläm inte kablarna med bultarna.

10. Fixera kablarna med klämmor.

► Fig.14: 1. Klämma

11. Vik överdelens ram.

► Fig.15: 1. Överdelens ram

12. Tryck in låsknappen när du drar i bromsspaken för att låsa bromsen.

► Fig.16: 1. Låsknapp 2. Bromsspak

⚠FÖRSIKTIGT: Om de bakre hjulen är monterade, tryck ner bromspedalen för bakhjulet för att låsa det.

13. Haka fast överdelens krok och dra ner låsspärren för att låsa överdelen.

► Fig.17: 1. Överdelens lås 2. Låsspärr

OBSERVERA: Se till att låsspärren är åtdragen.

OBSERVERA: Kläm inte kablarna med låsspärren.

OBS: Om du sätter fast stödbenen istället för bakhjulen, ta bort de bakre hjulen från ramen och sätt fast stödbenen på ramen.

► Fig.18: 1. Bakhjul 2. Stödben

Sätta ihop och montera överdel

Extra tillbehör

1. Ta ut överdelen från lådan, fäst räcken fram och på sidorna på basramen och dra åt de lätttrade muttrarna för att säkra räcken.

► Fig.19: 1. Lätttrad mutter

2. Placera överdelen på basenheten och sätt i sexkantsbultarna och brickorna i ramen från ovsidan. Dra åt brickor och fjäderbrickor samt vingmuttrar underifrån för att fixera överdelen.

► Fig.20: 1. Lång sexkantsbult 2. Kort sexkantsbult 3. Bricka 4. Fjäderbricka 5. Vingmutter

OBSERVERA: Använd de långa bultarna framtill och de korta bultarna baktill.

Montera behållare

Extra tillbehör

Placera behållaren på basenheten, sätt i sexkantsbultarna i ramen och dra åt brickorna och fjäderbrickorna samt vingmuttrarna underifrån för att fixera behållaren.

► Fig.21: 1. Sexkantsbult 2. Bricka 3. Fjäderbricka 4. Vingmutter

FUNKTIONSBESKRIVNING

Montera eller demontera batterikassetten

⚠FÖRSIKTIGT: Stäng alltid av maskinen innan du monterar eller tar bort batterikassetten.

⚠FÖRSIKTIGT: Se till att du låser batterikåpan före användning. I annat fall kan lera, smuts eller vatten orsaka skada på produkten eller batterikassetten.

⚠FÖRSIKTIGT: För alltid in batterikassetten helt tills den röda indikatorn inte längre syns. I annat fall kan den plötsligt lossna från maskinen och skada dig eller någon annan.

⚠FÖRSIKTIGT: Montera inte batterikassetten med våld. Om kassetten inte lätt glider på plats är den felaktigt insatt.

⚠FÖRSIKTIGT: Använd inte batterikassetten med hög temperatur. Om en batterikassetten med hög temperatur används stannar maskinen automatiskt innan en kort signal ljuder och kan leda till skada.

Sätta i batterikassetten

1. Vrid på låsspärren och öppna batterilådans lock.

► Fig.22: 1. Låsspärr 2. Lock

2. Rikta in batterikassetten tunga med öppningen på batterilådan. Skjut sedan in kassetten tills den låser fast med ett litet klick. Om du kan se den röda indikatorn på knappens ovsida är inte batterikassetten låst ordentligt.

► Fig.23: 1. Batterikassetten

3. Sätt i säkerhetsnyckeln på platsen som visas i figuren, så långt det går.

► Fig.24: 1. Säkerhetsnyckel

OBS: Om säkerhetsnyckeln inte är ordentligt isatt fungerar inte maskinen.

4. Stäng batterilådans lock och vrid låsspärren.

► Fig.25: 1. Låsspärr 2. Lock

Ta bort batterikassetten

1. Vrid på låsspärren och öppna batterilådans lock.

2. Dra ur batterikassetten från batterilådan samtidigt som du skjuter på knappen på kassetten framsida.

► Fig.26: 1. Knapp

3. Dra ut säkerhetsnyckeln.

4. Stäng batterilådans lock och vrid låsspärren.

Skyddssystem för maskinen/ batteriet

Maskinen är utrustad med ett batteriskyddssystem. Detta system bryter automatiskt strömmen till motorn för att förlänga maskinens och batteriets livslängd. Maskinen stoppar automatiskt under användningen om maskinen eller batterikassetten hamnar i en av följande situationer: En kort signal ljuder innan maskinen stoppar automatiskt. Batteriindikatorer och LED-indikatorer blinkar när signalen ljuder.

Överbelastningsskydd

Om maskinen används på ett sätt som gör att den drar onormalt mycket ström kan den stoppas automatiskt utan någon varning. Om så sker, stäng av maskinen och åtgärda orsaken till överbelastningen. Sätt därefter på maskinen igen för att starta om.

Överhettningsskydd

När maskinen överhettas stoppar den automatiskt. Låt maskinen svalna innan du startar den igen. Överhettningsskyddet aktiveras troligen vid höga temperaturer.

Överurladdningsskydd

När batteriets kapacitet är låg stoppar maskinen automatiskt. Om maskinen inte fungerar trots att knapparna fungerar som de ska tar du bort batterikassetten från maskinen och laddar den.

Byta batterikassett

► Fig.27: 1. Batteriväljare







Upp till två batterikassetter kan installeras i batterilådan, men maskinen använder endast en batterikassett. Innan du använder maskinen, välj den batterikassett som ska användas genom att trycka in numret på batteriväljaren.

OBSERVERA: Se till att välja den batterilåda som batterikassetten har installerats i om endast en batterikassett är installerad i batterilådan.

Indikerar återstående batterikapacitet på batterilådan.

⚠FÖRSIKTIGT: Se till att stanna maskinen innan du kontrollerar den återstående batterikapaciteten eller byter batterikassett.

► Fig.28: 1. Batteriindikator 2. Kontrollknapp
Tryck på kontrollknappen för att se kvarvarande batterikapacitet. Batteriindikeringarna motsvarar varje batteri.

Batteriindikatorstatus		Kvarvarande batterikapacitet
 På	 Av	
		50% - 100%
		20% - 50%
		0% - 20%
		Batteri ej installerat

⚠FÖRSIKTIGT: När batterikapaciteten blir låg ljuder en kort signal. Om du fortsätter använda maskinen med låg batterikapacitet ljuder en lång signal och maskinen stoppar automatiskt. När du hör den korta signalen, dra i bromsspaken och läs bromsen. Byt därefter till en laddad batterikassett eller ladda den urladdade batterikassetten. När återstående batterikapacitet tar slut stoppar maskinen plötsligt och detta kan orsaka skada.

OBS: Om du fortsätter dra i avtryckaren även om du hör den korta signalen stoppar maskinen automatiskt. När maskinen har stoppat automatiskt fortsätter signalen och stödbromsen (elbroms) aktiveras. Dra i bromsspaken och släpp avtryckaren för att avbryta signalen och lossa stödbromsen. Tryck inte maskinen med våld utan att först lossa stödbromsen. När du har lossat stödbromsen kan du se vilket batteriskyddssystem som är aktivt genom att kontrollera batteriindikatorstatusen.

► Fig.29: 1. Belysning 2. Blinkar 3. Avstängd
4. Överhettningsskydd
5. Överurladdningsskydd
6. Överbelastningsskydd

⚠FÖRSIKTIGT: Om signalen ljuder vid arbete i slutningar, eller om maskinen stoppar automatiskt i slutningar, flytta maskinen till en säker plats, läs bromsen och växla därefter till en laddad batterikassett eller ladda den urladdade batterikassetten.

Om belastningen är hög och signalen ljuder vid arbete i slutningar, eller om maskinen stoppar automatiskt i slutningar, flytta inte maskinen med våld. Läs bromsen, var uppmärksam på säkerheten och växla till en laddad batterikassett, flytta därefter maskinen till en säker plats. Minska belastningen innan du använder maskinen igen.

OBS: Du kan kontrollera återstående batterikapacitet även om säkerhetsnyckeln inte är isatt.

Indikerar kvarvarande batterikapacitet

Endast för batterikassetter med indikator

► Fig.30: 1. Indikatorlampor 2. Kontrollknapp

Tryck på kontrollknappen på batterikassetten för att se kvarvarande batterikapacitet. Indikatorlamporna lyser i ett par sekunder.

Indikatorlampor			Kvarvarande kapacitet
Upplyst	Av	Blinkar	
			75% till 100%
			50% till 75%
			25% till 50%
			0% till 25%
			Ladda batteriet.
			Batteriet kan ha skadats.

OBS: Beroende på användningsförhållanden och den omgivande temperaturen kan indikationen skilja sig lätt från den faktiska batterikapaciteten.

Kontrollpanel

► Fig.31: 1. Strömbrytare 2. Fram-/backknapp 3. Hastighetsknapp

Tryck in strömbrytaren ett par sekunder för att sätta på strömmen. Tryck på fram-/backknappen för att växla mellan körning framåt/bakåt. Tryck på hastighetsknappen för att växla mellan låg hastighet och hög hastighet. När strömmen kopplas till är läge framåt och låg hastighet inställda. Tryck in strömbrytaren ett par sekunder för att stänga av strömmen.

OBS: Fram-/backknappen är inte tillgänglig när du aktiverar avtryckaren.

OBS: En kort signal ljuder när maskinen backas.

OBS: Hastighetsknappen är inte tillgänglig när maskinen backas.

Omkopplar- och bromsfunktion

⚠ VARNING: Innan du monterar batterikassetten i maskinen ska du alltid kontrollera att avtryckaren fungerar och återgår till läget "OFF" när du släpper den.

Det är bara att trycka in avtryckaren när du vill starta maskinen. För att stoppa maskinen släpper du avtryckaren och drar i bromsspaken. För att låsa bromsspaken trycker du in låsknappen samtidigt som du drar i bromsspaken. För att släppa låset drar du i bromsspaken.

► Fig.32: 1. Avtryckare

► Fig.33: 1. Låsknapp 2. Bromsspak

Bakhjulsbroms

Det bakre hjulet på vänster sida är utrustat med en broms. Tryck bromspedalen framåt för att låsa bromsen. För att lossa bromsen trycker du bromspedalen bakåt.

► Fig.34: 1. Pedal

Tända frontlamporna

Tryck på lampknappen på batterilådan för att tända lamporna. Tryck en gång till på lampknappen för att släcka dem.

► Fig.35: 1. Lampknapp 2. Lampa

OBS: Lamporna släckas om maskinen lämnas utan att användas i ca 10 minuter.

OBS: Lamporna släckas när strömmen stängs av.

OBS: Du kan tända lamporna även om säkerhetsnyckeln inte är isatt.

Justera handtagens höjd

Ta bort de korta sexkantsbultarna och ansatsbultarna med den medföljande nyckeln och justera därefter handtagens höjd. Höjden kan justeras i tre steg. Dra åt ansatsbultarna och de korta sexkantsbultarna för att fixera handtaget.

► Fig.36: 1. Kort sexkantsbult 2. Ansatsbult

OBSERVERA: Fixera vänster och höger handtag på samma höjd.

OBSERVERA: Dra inte åt de korta sexkantsbultarna för hårt. Dra åt dem med korrekt moment så att handtagen sitter ordentligt.

OBSERVERA: Kläm inte kablarna med bultarna.

Justera bakhjulets bredd

Lossa de korta sexkantsbultarna med den medföljande nyckeln och skjut därefter bakhjulen.

► Fig.37: 1. Bakhjul

Dra åt de korta sexkantsbultarna med den medföljande nyckeln för att fixera hjulen.

► Fig.38: 1. Kort sexkantsbult

⚠ FÖRSIKTIGT: Skjut ut bakhjulen hela vägen ut för maximal balans. Om bakhjulen inte är utskjutna, håll lasten på ett minimum.

OBSERVERA: Sätt fast de bakre hjulen på samma position på båda sidor.

Justera överdelens bredd

Lossa de 6 lätttrade muttrarna och skjut på räckena fram och på sidorna. Dra åt de lätttrade muttrarna och för att fixera räckena fram och på sidorna.

► Fig.39: 1. Lätttrad mutter 2. Räcke

⚠ FÖRSIKTIGT: Skjut inte ut räckena utanför maxgränsen.

► Fig.40

ANVÄNDNING

Använda maskinen

OBSERVERA: Framhjulet drivs av ett batteri på denna maskin. Använd denna maskin som hjalp med transport.

OBSERVERA: Se till att sätta in säkerhetsnyckeln i batterilådan innan användning. Om säkerhetsnyckeln inte är isatt ljuder en kort signal när du drar in avtryckaren. Signalen upphör när du släpper avtryckaren och drar in bromsspaken.

1. Välj batterikassett med batteriväljaren.
2. Tryck på strömknappen på kontrollpanelen ett par sekunder för att sätta på strömmen.
► Fig.41: 1. Strömbrytare

3. Dra in bromsspaken för att lossa bromsspakens låsning.
► Fig.42: 1. Låsknapp 2. Bromsspak

OBS: Lossa bakhjulsbromsen om de bakre hjulen är monterade.

4. Håll stadigt i handtagen med båda händerna.
► Fig.43
5. Tryck in avtryckaren.
► Fig.44: 1. Avtryckare

Lasta föremål

⚠FÖRSIKTIGT: Innan du lastar föremål på maskinen måste du se till att strömmen är från och bromsspaken är låst.

⚠FÖRSIKTIGT: Om bakhjulen är monterade, se till att bakhjulsbromsen är låst innan du lastar föremål på maskinen.

⚠FÖRSIKTIGT: Innan du lastar föremål på maskinen måste du se till att överdelen eller behållaren är låst.

⚠FÖRSIKTIGT: Se till att lasta föremål inom överdelen eller behållaren. Om föremål sticker ut utanför överdelen eller behållaren kan de ramla om de kommer i kontakt med andra föremål.

► Fig.45

⚠FÖRSIKTIGT: Se till att lasta föremål så att de är under ögonnivå. Det är farligt om lasten är för hög eftersom sikten blir skydd. Det finns även en risk att välta och skada sid eftersom lasten blir instabil.

► Fig.46

När föremål lastas på överdelen ska de säkras med t.ex. rep i krokarna.

► Fig.47

Lossa föremål

⚠FÖRSIKTIGT: Lyft upp överdelen eller behållaren på ett plant och stabilt underlag. Användning på löst underlag kan leda till olycka eller skada.

Du kan lossa föremål genom att lyfta och luta överdelen eller behållaren.

1. Stoppa maskinen och lås bromsarna.

OBSERVERA: Det rekommenderas att blockera framhjulet för att stabilisera maskinen.

2. Lossa låsspaken.
3. Stå på sidan av maskinen, håll i handtaget med en hand och lyft och luta sedan överdelen eller behållaren med den andra handen.
► Fig.48

⚠FÖRSIKTIGT: Håll stadigt i handtaget och överdelen och arbeta i en stabil position.

⚠FÖRSIKTIGT: Håll lasten på ett minimum. Försök inte lyfta överdelen om lasten är stor. Minska lasten och lyft sedan överdelen.

⚠FÖRSIKTIGT: Se till att låsa fast överdelen eller behållaren när du har lossat föremål.

UNDERHÅLL

⚠FÖRSIKTIGT: Se alltid till att parkera maskinen på plan mark och låsa bromsspaken innan förvaring eller inspektion/underhåll.

⚠FÖRSIKTIGT: Om bakhjulen är monterade, se till att bakhjulsbromsen är låst innan förvaring, inspektion eller underhåll.

⚠FÖRSIKTIGT: Se alltid till att säkerhetsnyckeln och batterikassetten tas ut från maskinen före förvaring, inspektion eller underhåll.

⚠FÖRSIKTIGT: Ta alltid ut säkerhetsnyckeln när maskinen inte används. Förvara säkerhetsnyckeln på en säker plats utom räckhåll för barn.

Regelbundna kontroller

- Kontrollera att bultar och muttrar är ordentligt åtdragna.
► Fig.49
- Kontrollera att överdelen är låst när låsspärren är helt neddragen.
► Fig.50: 1. Överdelens lås 2. Låsspärr
- Kontrollera att bromsspaken fungerar ordentligt.
► Fig.51: 1. Bromsspak

⚠WARNING: Om bromsspaken når handtaget utan att bromsen bromsar helt fungerar inte bromsen ordentligt. Justera bromsen eller kontakta ditt lokala Makita-servicecenter för reparation.

- Kontrollera om framhjulet är skadat eller har en punktering.

Rengöring av maskinen

OBSERVERA: Använd inte bensin, förtunningsmedel, alkohol eller liknande. Missfärgning, deformation eller sprickor kan uppstå.

OBSERVERA: Häll vattnet nedanför överdelen eller behållaren när du gör rent maskinen med rinnande vatten. Använd inte högtryckstvätt för att göra rent.

Avlägsna lera, smuts mm. från maskinen. Rengör maskinen under rinnande vatten. Torka maskinen med en torr trasa efter rengöringen.

Förvaring

Ta ut säkerhetsnyckeln. Förvara maskinen på en säker plats utom räckhåll för barn.

Vid förvaring av maskinen kan handtagen vändas framåt. Ta bort de korta sexkantsbultarna och ansatsbultarna med den medföljande nyckeln. Vrid handtagen mot utsidan och rotera dem därefter framåt. Dra åt ansatsbultarna och de korta sexkantsbultarna för att fixera handtagen.

► **Fig.52:** 1. Ansatsbult 2. Kort sexkantsbult

OBSERVERA: Dra inte åt de korta sexkantsbultarna för hårt. Dra åt dem med korrekt moment så att handtagen sitter ordentligt.

OBSERVERA: Kläm inte kablarna med bultarna.

Justera bromsen

⚠ FÖRSIKTIGT: Om bakhjulen är monterade, se till att låsa bakhjulsbromsen innan du justerar den.

1. Ta bort överdelen eller behållaren och öppna överdelens ram.

► **Fig.53:** 1. Överdelens ram

2. Dra i bromsspaken för att lossa bromsspakens låsknapp.

► **Fig.54:** 1. Låsknapp 2. Bromsspak

3. Lossa på justerhylsan och låsmutter.

► **Fig.55:** 1. Justerhylsa 2. Låsmutter

4. Dra endast åt låsmuttern.

► **Fig.56:** 1. Låsmutter

5. Lossa på justerhylsan och låsmutter.

► **Fig.57:** 1. Justerhylsa 2. Låsmutter

6. Dra endast åt låsmuttern.

► **Fig.58:** 1. Låsmutter

7. Se till att bromsspaken är intryckt halvvägs när den bottnar. Om bromsspaken når halvvägs, gå till steg 13. Om bromsspaken inte når halvvägs, gå till steg 8.

► **Fig.59:** 1. Bromsspak

8. Lossa endast på låsmuttern.

► **Fig.60:** 1. Låsmutter

9. Dra åt låsmuttern och justerhylsan samtidigt.

► **Fig.61:** 1. Justerhylsa 2. Låsmutter

10. Lossa endast på låsmuttern.

► **Fig.62:** 1. Låsmutter

11. Dra åt låsmuttern och justerhylsan samtidigt.

► **Fig.63:** 1. Justerhylsa 2. Låsmutter

12. Se till att bromsspaken är intryckt halvvägs när den bottnar.

► **Fig.64:** 1. Bromsspak

13. Fäll ihop överdelens ram och fäst sedan överdelen eller behållaren.

► **Fig.65:** 1. Överdelens ram

VALFRIA TILLBEHÖR

⚠ FÖRSIKTIGT: Följande tillbehör eller tillsatser rekommenderas för användning med den Makita-maskin som denna bruksanvisning avser. Om andra tillbehör eller tillsatser används kan det uppstå risk för personskador. Använd endast tillbehören eller tillsatserna för de syften de är avsedda för.

Kontakta ditt lokala Makita servicecenter om du behöver ytterligare information om dessa tillbehör.

- Överdel
- Behållare
- Makitas originalbatteri och laddare

OBS: Några av tillbehören i listan kan vara inkluderade i maskinpaketet som standardtillbehör. De kan variera mellan olika länder.





TEKNISKE DATA

Modell:		DCU180
Mål (L x B x H)	Når lasteplan er montert	Under bruk: 1 560 mm x 1 060 mm x 900 mm Under oppbevaring: 1 110 mm x 670 mm x 820 mm
	Når skål er montert	Under bruk: 1 310 mm x 790 mm x 900 mm Under oppbevaring: 1 110 mm x 590 mm x 820 mm
Kjørehastighet	Fremover	1,5 eller 3,5 km/h
	Revers	1,0 km/h
Minimum svingradius		1 075 mm (utvendig diameter ved svinging med fremhjul som akse)
Maksimal stigningskapasitet		12°
Maksimal lastekapasitet		130 kg
Brems	Fremhjul	Skivebrems med wire
	Bakhjul	Låses med pedal
Dekk	Fremhjul	Slangeløst dekk
	Bakhjul	Selvtettende dekk
Merkespenning		DC 18 V
Standard batteriinnsets		BL1815N / BL1820 / BL1820B / BL1830 / BL1830B / BL1840 / BL1840B / BL1850 / BL1850B / BL1860B
Lader		DC18RC / DC18RD / DC18SD / DC18SE / DC18SF
Nettvekt	Når lasteplan er montert	45 kg
	Når skål er montert	39 - 40 kg

- På grunn av vårt kontinuerlige forsknings- og utviklingsprogram kan spesifikasjonene som oppgis i dette dokumentet endres uten varsel.
- Spesifikasjoner og batteriinnsets kan variere fra land til land.
- Vekten kan variere avhengig av tilbehør/tilbehørene, inkludert batteriet. Den letteste og tyngste kombinasjonen, i henhold til EPTA-prosedyre 01/2014, vises i tabellen.

Symboler

Nedenfor ser du symbolene som brukes for dette utstyret. Forviss deg om at du forstår hva de betyr, før du begynner å bruke maskinen.

	Les bruksanvisningen.
	Kun for EU-land Kast aldri elektroutstyr eller batteripakker i husholdningsavfallet! I henhold til EU-direktivene om kasserte elektriske og elektroniske produkter, og om batterier og akkumulatører og brukte batterier og akkumulatører og direktivenes iverksetting i nasjonal rett, må elektriske produkter og batterier og batteripakker som ikke lenger skal brukes, samles separat og returneres til et miljøvennlig gjenvinningsanlegg.
	Trekk spaken helt ned og kontroller at lasteplanet eller skålen er låst.
	Ikke endre retning i bratte bakker.



Gjenstander må lastes og losses på flatt underlag.



Last gjenstandene jevnt fordelt på lasteplanet eller skålen.



Denne maskinen kan ikke brukes på offentlig vei.



Må ikke brukes til persontransport.



Må ikke utsettes for regn.



For å slå av pipetonen må du slippe startbryteren og trekke i bremsespaken.

Riktig bruk

Maskinen er beregnet på lasting og frakting av gjenstander.

EFs samsvarserklæring

Gjelder kun for land i Europa

EFs samsvarserklæring er lagt til som vedlegg A i denne bruksanvisningen.

SIKKERHETSADVARSEL

Generelle advarsler angående sikkerhet for elektroverktøy

⚠ADVARSEL: Les alle sikkerhetsadvarsler, instruksjoner, illustrasjoner og spesifikasjoner som følger med dette elektroverktøyet. Hvis ikke alle instruksjonene nedenfor følges, kan det forekomme elektrisk støt, brann og/eller alvorlig skade.

Oppbevar alle advarsler og instruksjoner for senere bruk.

Uttrykket «elektrisk verktøy» i advarslene refererer både til elektriske verktøy (med ledning) tilkoblet strømmenettet, og batteridrevne verktøy (uten ledning).

Sikkerhetsadvarsler for batteridrevet trillebår

1. **Denne maskinen kan ikke brukes på offentlig vei.**
2. **Bruk alltid sklisikkert vernefottøy når du bruker maskinen.** Sklisikre vernestøvler og -sko med lukket tå reduserer faren for skade.
3. **Undersøk gangveien før du transporterer gjenstander/materialer.** Hvis du gjør deg kjent med gangveien og forsikrer deg om at den er bred nok at du kan styre maskinen med last, er det mindre fare for at du mister kontrollen over maskinen.
4. **Vær veldig forsiktig i glatt, løst og ustabil terreng.** Vått og glatt underlag, som våte gressflater, snø eller is, og løst og ustabil terreng, som sand- eller grusunderlag, kan føre til at maskinen mister trekraften, og kan ha negativ innvirkning på styring, bremsing og stabilitet.
5. **Ikke bruk maskinen i svært bratte bakker.** Da reduserer du faren for å miste kontrollen, skli eller falle, noe som kan føre til personskade. Bakker som er brattere enn den maksimalt anbefalte hellingen og sidehellingen, kan øke faren for ustabilitet, og kan ha negativ innvirkning på evnen til å stanse på en sikker måte.
6. **Når du jobber i bakker, må du alltid ha godt fotfeste, alltid jobbe på tvers av bakken, aldri opp eller ned, og utvise ekstrem forsiktig når du endrer retning.** Da reduserer du faren for å miste kontrollen, skli eller falle, noe som kan føre til personskade.
7. **Så sant det er mulig, bruker du flate områder når du skal stanse, laste og losse, og du må aldri forlate maskinen uten tilsyn i en bakke.** Maskinen er mer ustabil når den står i en bakke enn når den står på flatt underlag.
8. **Når du stanser i bakker, vender du maskinen oppover eller nedover i bakken og blokkerer hjul uten brems.** Maskinen er mindre stabil når den står på tvers i en bakke. Hjul uten brems, særlig svingbare hjul, kan dreie og begynne å trille ned bakken selv om fremhjulets parkeringsbrems er satt på.
9. **Når du forlater maskinen uten tilsyn, må du sette på parkeringsbremsen når maskinen er plassert på et sted hvor det er trygt å stanse.** Parkeringsbremsen forhindrer at fremhjulet beveger seg utilsikket, og kan forbedre stabiliteten.

10. **Kontroller at ramper er rene, sterke og sikre.** Hvis du ønsker å redusere faren for skade, må du sørge for at alle ramper er frie for løse gjenstander og sterke nok til å tåle vekten av forventet last som vil bli fraktet over dem. De må ha tilstrekkelig blokkering på undersiden og til begge sider til å unngå bøying og bevegelse fra side til side under last. Alle ramper må være brede nok til at du har godt fotfeste når du transporterer last over dem.
11. **Unngå å forlenge ramper med stigbrett eller rekkeverk over åpne områder.** Forhøyede åpne områder og åpne grøfter innbyr til fallulykker, og øker muligheten for alvorlig skade. Bruk stigbrett eller rekkeverk på ramper over åpne områder slik at du forhindrer at maskinen kjører av rampen.
12. **Kontroller at alle låseskruer er strammet godt til før bruk.** Låseskruer på bakhjulene og lasteplan med åpen front og sidevegger må sikres for å forhindre uønsket bevegelse av disse justerbare delene på maskinen.
13. **Du må aldri bruke maskinen med for mye last.** Kontroller at maskinen har riktig kapasitet for gjenstandene eller materialene som skal transporteres. For mye last vil gjøre maskinen vanskeligere å manøvrere og stanse, vil forlenge tiden og avstanden det tar å stanse, og vil øke faren for ustabilitet.
14. **Du må aldri bruke maskinen med for høyt stablet last.** Hvis du stabler materiale over kanten på planet eller over sidene på planet, kan det føre til at maskinen blir ute av balanse og umulig å styre.
15. **Sikre lasten med beholdere og stropper.** Det er større sannsynlighet for at løs og/eller usikret last vil flytte på seg og føre til manglende stabilitet og kontroll.
16. **Ha alltid et godt tak i håndtakene.** Hvis du mister kontrollen, øker det faren for personskade.
17. **Fjern sikkerhetsnøkkelen når den ikke er i bruk.** Sikkerhetsnøkkelen forhindrer uønsket, motordrevet bruk av maskinen, som av barn eller andre uerfarne eller uautoriserte personer. Elektrisk kraft kan ikke slå "på" uten nøkkelen.
18. **Bruk en robust plate med anti-sklifunksjon og sperring mot frakobling nå du laster på og/eller av denne maskinen for transport, eller når du flytter denne maskinen mellom forskjellige nivåer.** Pass på at platehellingen ikke overskrider 12°, og betjen maskinen langsomt og forsiktig. Ustabil og rask betjening kan føre til at den velter og/eller faller.
19. **Ikke demonter, reparer eller modifier denne maskinen.**

Bruk

1. **Når du bruker maskinen, må du stå bak maskinen og holde godt fast i håndtakene.**
2. **Du må ikke sitte på maskinen og styre den.**
3. **Ikke la andre sitte på maskinen når den er i bruk.**
4. **Når du bruker maskinen i revers og mens du går bakover, må du se bak deg og passe på at du ikke sklir eller snubler.**
5. **Ikke bruk maskinen i dårlig sikt, da det kan føre til fare for å kjøre på hindringer.**
6. **Når du bruker maskinen på ujevnt underlag, må du redusere hastigheten og være forsiktig.**

- Når du bruker maskinen, må du unngå bløtt underlag som kan føre til at maskinen velter som følge av et veiskulderen bryter sammen.
- Ikke bruk maskinen i oppoverbakker som er brattere enn 12°.
- Hvis du oppdager at noe er unormalt, stanser du maskinen på flatt underlag. Før du undersøker maskinen må du trekke til bremsespaken og låse bremsen, og deretter slår du av strømmen.
- Før du bruker maskinen må du kontrollere at spørrehendelen er trukket helt ned og fullstendig låst. Hvis den ikke er fullstendig låst, er det fare for uhell eller skade, ettersom lasteplanet eller skålen kan vippe og gjenstandene falle ut i nedoverbakke.
- Pass på at ledningene ikke vikler seg inn i lasten eller hindringer.
- Før du laster gjenstandene og bruker maskinen må du kontrollere at spørrehendelen er trukket helt ned og fullstendig låst.
- Last tunge gjenstander først for å opprettholde balansen.
- Ikke forleng front- og siderekkværkene i bratte bakker. Forleng siderekkværkene når lette gjenstander er lastet.
- Når du forlenger front- og siderekkværkene, må du ikke forlenge dem over forlengelsesgrensen. Pass på at du forlenger siderekkværkene slik at høyre og venstre side er like lange, og last gjenstander jevnt fordelt.
- Gjenstander må lastes og losses på flatt underlag.
- Når du løfter og vipper lasteplanet eller skålen, må du holde et godt tak i håndtaket og rammen samt jobbe med en stabil kroppsholdning.

Bruk i bakker

- Ikke gå på tvers av bakker.
- Pass på å redusere hastigheten og være forsiktig.
- Vær forsiktig når du starter eller stanser maskinen i bakker.
- Ettersom last blir mindre stabil i bakker, må lasten sikres godt med tau.
- Ettersom maskinen blir mindre stabil avhengig av veiforholdene, bør lasten begrenses til et minimum.
- Ettersom sikten er begrenset i bakker, skal lastens høyde begrenses til et minimum.
- Maskinen må aldri parkeres i bratte bakker. Parker maskinen på flatt underlag, trekk til bremsespaken og lås bremsen, og deretter slår du av strømmen.
- Ikke endre retning eller hastighetsmodus i bratte bakker.
- Ikke slipp startbryteren i oppoverbakker. Maskinen kan gå i revers og forårsake et uhell.
- Kontroller at den gjenværende batterikapaciteten er tilstrekkelig før du bruker maskinen i bakker. Hvis den gjenværende batterikapaciteten ikke er tilstrekkelig, må du lade batteriet etter erstatte det med et ladet batteri.

Laste gjenstander

- Ikke last for mange gjenstander. Når du laster gjenstander, må du passe på å følge instruksjonene og lastgrensene i veiledningen.
- Fest gjenstandene godt med tau.
- Last gjenstandene innenfor lasteplanet eller skålen. Hvis gjenstander stikker ut fra lasteplanet eller skålen, er det fare for uhell som følge av at gjenstander faller ut eller kommer i kontakt med hindringer, som vegger.
- Kontroller at lastede gjenstander er under øyehøyde. Hvis lasten er for høy, er det farlig fordi sikten hindres. Det er dessuten fare for å velte og derved skade fordi lasten sannsynligvis vil komme i ubalanse.
- Last gjenstandene jevnt fordelt på lasteplanet eller skålen. Hvis gjenstandene lastes ujevnt, er det fare for å velte og derved skade fordi lasten sannsynligvis vil komme i ubalanse.

Vedlikehold

- Du må alltid parkere maskinen på flatt underlag og låse bremsespaken før oppbevaring eller før du utfører undersøkelser eller vedlikehold.

TA VARE PÅ DISSE INSTRUKSENE.

⚠ADVARSEL: IKKE LA hensynet til hva som er ”behagelig” eller det faktum at du kjenner produktet godt (etter mange gangers bruk) gjøre deg mindre oppmerksom på sikkerhetsreglene for bruken av det aktuelle produktet. Ved MISBRUK eller hvis ikke sikkerhetsreglene i denne bruksanvisningen følges, kan det oppstå alvorlig personskade.

Viktige sikkerhetsanvisninger for batteriinnsetts

- Før du begynner å bruke batteriet, må du lese alle anvisninger og forsiktighetsregler på (1) batteriladeren, (2) batteriet og (3) det produktet batteriet skal brukes i.
- Ikke ta fra hverandre batteriet.
- Hvis driftstiden er blitt vesentlig kortere, må du omgående slutte å bruke maskinen. Hvis ikke kan resultatet bli overoppheting, mulige forbrenninger eller til og med en eksplosjon.
- Hvis du får elektrolytt i øynene, må du skylle dem med store mengder rennende vann og oppsøke lege med én gang. Denne typen uhell kan føre til varig blindhet.
- Ikke kortslett batteriet:
 - De kan være ekstremt varme og du kan brenne deg.
 - Ikke lagre batteriet i samme beholder som andre metallgjenstander, som for eksempel spiker, mynter osv.
 - Ikke la batteriet komme i kontakt med vann eller regn.
 En kortslutning av batteriet kan føre til et kraftig strømstøt, overoppheting, mulige forbrenninger og til og med til at batteriet går i stykker.

6. Ikke lagre maskinen og batteriet på steder hvor temperaturen kan komme opp i eller overskride 50 °C.
7. Ikke sett fyr på batteriet, ikke engang om det er sterkt skadet eller helt utslitt. Batteriet kan eksplodere hvis det begynner å brenne.
8. Vær forsiktig så du ikke mister batteriet eller utsetter det for slag.
9. Ikke bruk batterier som er skadet.
10. Lithium-ion-batteriene som medfølger er gjenstand for krav om spesialavfall. For kommersiell transport, f.eks av tredjeparter eller speditorer, må spesielle krav om pakking og merking følges. Før varen blir sendt, må du forhøre deg med en ekspert på farlig materiale. Ta også hensyn til muligheten for mer detaljerte nasjonale bestemmelser. Bruk teip eller maskeringsteip for å skjule åpne kontakter og pakk inn batteriet på en slik måte at den ikke kan bevege seg rundt i emballasjen.
11. Følg lokale bestemmelser for avhending av batterier.

TA VARE PÅ DISSE INSTRUKSENE.

⚠FORSIKTIG: Bruk kun originale Makita-batterier. Bruk av batterier som har endret seg, eller som ikke er originale Makita-batterier, kan føre til at batteriet sprekker og forårsaker brann, personskader og andre skader. Det vil også ugyldiggjøre garantien for Makita-verktøyet og -laderen.

Tips for å opprettholde maksimal batterilevetid

1. Lad batteriinnsetsen før den er helt utladet. Stopp alltid driften av verktøyet og lad batteriinnsetsen når du merker at effekten reduseres.
2. Lad aldri en batteriinnsets som er fulladet. Overopplading forkorter batteriets levetid.
3. Lad batteriet i romtemperatur ved 10 °C - 40 °C. Et varmt batteri må kjøles ned før lading.
4. Lad batteriet hvis det ikke har vært brukt på en lang stund (over seks måneder).

DELEBESKRIVELSE

Delebeskrivelse (når lasteplanet er montert)

► Fig.1

1	Kontrollpanel	2	Håndtak
3	Startbryter	4	Batterikasse
5	Bremsespak for fremhjul	6	Bakhjul
7	Bremsepedal for bakhjul	8	Lampe
9	Fremhjul	10	Lasteplan

Delebeskrivelse (når skålen er montert)

► Fig.2

1	Kontrollpanel	2	Håndtak
3	Startbryter	4	Batterikasse
5	Bremsespak for fremhjul	6	Bakhjul
7	Bremsepedal for bakhjul	8	Lampe
9	Fremhjul	10	Skål

MONTERING

⚠FORSIKTIG: Forviss deg alltid om at maskinen er slått av og batteriet tatt ut før du utfører noe arbeid på maskinen.

Sette sammen hovedenhet

1. Ta baseenheten og håndtakene ut av esken.

► Fig.3

OBS: Pass på at du tar ut baseenheten og håndtakene sammen, slik at ledningene ikke blir påført overdrevet kraft.

2. Plasser emballasjen under baksiden av baseenheten.

► Fig.4: 1. Emballasje

3. Før bakhjulene inn i rammen.

► Fig.5: 1. Bakhjul

► Fig.6: 1. Bakhjul

MERK: Støttebenene skal festes i stedet for bakhjulene.

4. Fest fjærskiven og skiven til den korte sekskantboltene, og deretter strammer du dem med skrunøkkelen som følger med i pakken.

► Fig.7: 1. Kort sekskantbolt 2. Fjærskive 3. Skive

► Fig.8

OBS: De korte sekskantboltene brukes til å stramme bakhjulene.

OBS: Fest bakhjulene i samme stilling på begge sider.

5. Hev håndtakene, og før dem deretter inn i baseenheten.

► Fig.9

OBS: Ikke slipp ledningene inn i område "A" i figuren. Lange gjenstander kan vikle seg inn i ledningene og føre til uhell.

OBS: Ikke påfør overdreven kraft på ledningene når du hever og fører inn håndtakene.

OBS: Bruk begge hender når du skal heve håndtakene.

6. Åpen lasteplanrammen mot forsiden.

► Fig.10: 1. Lasteplanramme

7. Fold ut håndtakene, og før deretter de lange sekskantboltene inn i baseenheten. Deretter strammer du mutrene med skrunøkkelen som følger med i pakken.

► **Fig.11:** 1. Lang sekskantbolt

8. Stram skulderboltene fra baksiden med skrunøkkel som følger med i pakken.

► **Fig.12:** 1. Skulderbolt

9. Stram de korte sekskantboltene fra begge sider med skrunøkkel som følger med i pakken for å feste håndtakene.

► **Fig.13:** 1. Kort sekskantbolt

OBS: Ikke stram de korte sekskantboltene for hardt.
Stram dem med riktig kraft slik at håndtakene festes stabilt.

OBS: Ikke klem ledningene med boltene.

10. Fest ledningene med klemmene.

► **Fig.14:** 1. Klemme

11. Fold sammen lasteplanrammen.

► **Fig.15:** 1. Lasteplanramme

12. Trykk på sperreknappen mens du trekker i bremsepaken for å låse bremsen.

► **Fig.16:** 1. Sperreknapp 2. Bremsespak

⚠FORSIKTIG: Hvis bakhjulene er montert, trykker du på bremsepedalen for bakhjulet for å låse bakhjulet.

13. Hekt på lasteplansperren, og trekk deretter sperrehendelen ned for å låse lasteplanet.

► **Fig.17:** 1. Lasteplansperre 2. Sperrehendel

OBS: Kontroller at sperrehendelen godt festet.

OBS: Ikke klem ledningene med sperrehendelen.

MERK: Hvis du fester på støttebenene i stedet for bakhjulene, fjerner du bakhjulene fra rammene, og deretter fester du støttebenene til rammene.

► **Fig.18:** 1. Bakhjul 2. Støtteben

Sette sammen og montere lasteplan

Valgfritt tilbehør

1. Ta lasteplanet ut av esken, fest front- og siderekkverkene til baserammen, og stram deretter fingermutrene for å feste rekkverkene.

► **Fig.19:** 1. Fingermutter

2. Plasser lasteplanet på baseenheten, og før deretter sekskantboltene og skivene inn i rammene fra oversiden. Stram skivene, fjærskivene og vingemutrene fra undersiden for å feste lasteplanet.

► **Fig.20:** 1. Lang sekskantbolt 2. Kort sekskantbolt 3. Skive 4. Fjærskive 5. Vingemutter

OBS: Bruk de lange mutrene for fronten og de korte boltene for baksiden.

Montere skål

Valgfritt tilbehør

Plasser skålen på baseenheten, før sekskantboltene inn i rammene, og deretter strammer du skivene, fjærskivene og vingemutrene fra undersiden for å feste skålen.

► **Fig.21:** 1. Sekskantbolt 2. Skive 3. Fjærskive 4. Vingemutter

FUNKSJONS BESKRIVELSE

Sette inn eller ta ut batteri

⚠FORSIKTIG: Slå alltid av maskinen før du setter inn eller fjerner batteriet.

⚠FORSIKTIG: Sørg for at du lukker batterilokket før bruk. Ellers kan søle, skitt eller vann påføre skader på produktet eller batteripatronen.

⚠FORSIKTIG: Batteriet må alltid settes helt inn, så langt at den røde indikatoren ikke lenger er synlig. Hvis dette ikke gjøres, kan batteriet falle ut av maskinen og skade deg eller andre som oppholder seg i nærheten.

⚠FORSIKTIG: Ikke bruk makt når du setter i batteriet. Hvis batteriet ikke gli lett inn, er det fordi det ikke settes inn på riktig måte.

⚠FORSIKTIG: Ikke bruk høytemperaturbatteriet. Hvis du bruker høytemperaturbatteriet, stanser maskinen automatisk før en kort pipetone avgis, og kan føre til skade.

Sett inn batteriet

1. Roter sperrehendelen, og deretter åpner du dekslet på batterikassen.

► **Fig.22:** 1. Sperrehendel 2. Deksel

2. Rett inn batterituppen mot hakket på batterikassen, og skyv inn batteriet til det låses på plass med et lite klikk. Hvis du kan se den røde indikatoren på oversiden av knappen, er ikke batteriet fullstendig låst.

► **Fig.23:** 1. Batteriinnsetts

3. Sett inn låsenøkkelen på stedet vist på figuren, så langt den vil gå.

► **Fig.24:** 1. Låsenøkkel

MERK: Hvis låsenøkkelen ikke er ført helt inn, fungerer ikke maskinen.

4. Lukk batterikassens deksel, og roter deretter sperrehendelen.

► **Fig.25:** 1. Sperrehendel 2. Deksel

Fjerne batteriet

1. Roter sperrehendelen, og deretter åpner du dekslet på batterikassen.

2. Trekk batteriet ut av batterikassen mens du skyver på knappen foran på batteriet.

► **Fig.26:** 1. Knapp

3. Trekk ut låsenøkkelen.

4. Lukk batterikassens deksel, og roter deretter sperrehendelen.

Vernesystem for maskin/batteri

Maskinen er utstyrt med et vernesystem for maskin/batteri. Dette systemet slår automatisk av strømmen til motoren for å forlenge maskinens og batteriets levetid. Maskinen stanser automatisk under drift hvis maskinen eller batteriet utsettes for én av følgende tilstander. En kort pipetone avgis før maskinen stanser automatisk. Batteriindikatorene og LED-lampene blinker samtidig som pipetonen avgis.

Overlastsikring

Når maskinen brukes på en måte som gjør at den bruker unormalt mye strøm, vil maskinen stanse automatisk uten noen form for indikasjon. I en slik situasjon slår du av maskinen og fjerner årsaken til overbelastningen, og deretter slår du maskinen på igjen for å starte på nytt.

Overopphetingsvern

Når maskinen blir overopphetet, stanser maskinen automatisk. La maskinen kjøle seg ned før du slår på maskinen igjen. Overopphetingsvernet vil sannsynligvis fungerer under høye temperaturer.

Overutladningsvern

Når batterikapasiteten blir lav, stanser maskinen automatisk. Hvis maskinen ikke fungerer selv om bryterne aktiveres, må du ta ut batteriet og lade det.

Bytte batteriet

► **Fig.27:** 1. Bryter for batterivalg

Opptil to batterier kan monteres i batterikassen, men maskinen bruke kun ett batteri under drift. Før du bruker maskinen, velger du ønsket batteri for drift ved å trykke på tallet på bryteren for batterivalg.











OBS: Hvis det kun er montert ett batteri i batterikassen, må du velge batterikassen der batteriet er installert.

Angi den gjenværende batterikapasiteten på batterikassen

⚠FORSIKTIG: Du må stanse maskinen før du kontrollerer gjenværende batterikapasitet eller bytter batteri.

► **Fig.28:** 1. Batteriindikator 2. Kontrollknapp

Trykk på kontrollknappen for vise det gjenværende batterinivået. Batteriindikatorene korresponderer til hvert batteri.

Batteriindikatorstatus		Gjenværende batterikapasitet
 På	 Av	
		50 % - 100 %
		20 % - 50 %
		0% - 20%
		Det står ikke batteri i

⚠FORSIKTIG: Når batterikapasiteten blir lav, avgis en kort pipetone. Hvis du fortsetter å bruke maskinen når batterikapasiteten er lav, avgis en lang pipetone, og maskinen stanser automatisk. Når du hører den korte pipetonen, trekker du i bremsespaken og låser bremsen, og deretter bytter du til et ladet batteri eller lader batteriet. Når den gjenværende batterikapasiteten er brukt opp, stanser maskinen brått, og det kan føre til skade.

MERK: Hvis du fortsetter å trekke i startbryteren selv om du hører den korte pipetonen, vil maskinen stanse automatisk. Etter at maskinen har stanset automatisk, fortsetter pipetonen, og støttebremsen (elektrisk brems) aktiveres. Hvis du vil slå av pipetonen og frigjøre støttebremsen, trekker du i bremsespaken og slipper startbryteren. Ikke skyv maskinen med makt ut i frigjøre støttebremsen. Når du har frigjort støttebremsen, kan du se hvilket vernesystem for batteriet som virker ved å kontrollere batteriindikatorstatusen.

► **Fig.29:** 1. Tent 2. Blinker 3. Avslått
4. Overopphetingsvern
5. Overutladningsvern 6. Overlastvern

⚠FORSIKTIG: Hvis pipetonen avgis under bruk i bakker, eller hvis maskinen stanser automatisk i bakker, flytter du maskinen til et trygt sted, låser bremsen og bytter til et ladet batteri eller lader batteriet.

Hvis maskinen har mye last og pipetonen avgis under bruk i bakker, eller maskinen stanser automatisk i bakker, må du ikke flytte maskinen med makt. Lås bremsen, vær forsiktig, og bytt batteri til et ladet batteri, og flytt deretter maskinen til et trygt sted. Reduser lasten før du bruker maskinen igjen.

MERK: Du kan kontrollere gjenværende batterikapasitet selv om låsenøkkelene ikke er satt i.

Indikere gjenværende batterikapasitet

Kun for batterier med indikatoren

► **Fig.30:** 1. Indikatorlamper 2. Kontrollknapp

Trykk på sjekk-knappen på batteriet for vise gjenværende batterikapasitet. Indikatorlampene lyser i et par sekunder.

Indikatorlamper			Gjenværende batterinivå
Tent	Av	Blinker	
			75 % til 100 %
			50 % til 75 %
			25 % til 50 %
			0 % til 25 %
			Lad batteriet.
			Batteriet kan ha en feil.

MERK: Det angitte nivået kan avvike noe fra den faktiske kapasiteten alt etter bruksforholdene og den omgivende temperaturen.

Kontrollpanel

► **Fig.31:** 1. Strømknapp 2. Fremover-/reversknapp 3. Hastighetsknapp

Trykk på strømknappen i noen sekunder for å slå på strømmen. Trykk på fremover-/reversknappen for å veksle mellom fremovermodus og reversmodus. Trykk på hastighetsknappen for å veksle mellom lav hastighet og høy hastighet. Fremovermodus og lav hastighet er stilt inn når du slår på strømmen. Trykk på strømknappen i noen sekunder for å slå av strømmen.

MERK: Fremover-/reversknappen er ikke tilgjengelig når du trekker i startbryteren.

MERK: En kort pipetone lyder når maskinen brukes i revers.

MERK: Hastighetsknappen er ikke tilgjengelig når maskinen brukes i revers.

Bruke bryter og brems

ADVARSEL: Før du setter batteriet inn i maskinen, må du alltid kontrollere om startbryteren aktiverer maskinen på riktig måte og går tilbake til "AV"-stilling når den slippes.

Trekk i startbryteren for å starte maskinen. Maskinen stanses ved å slippe startbryteren og trekke i bremsespaken. Bremsespaken låses ved å trykke på sperreknapp samtidig som du trekker i bremsespaken. Trekk i bremsespaken for å frigjøre sperren.

► **Fig.32:** 1. Startbryter

► **Fig.33:** 1. Sperreknapp 2. Bremsespak

Brems for bakhjul

Bakhjulet på venstre side er utstyrt med en brems. Trykk bremsepedalen mot forsiden for å låse bremsen. Frigjør bremsen ved å trykke bremsepedalen mot baksiden.

► **Fig.34:** 1. Pedal

Tenne frontlampene

Trykk på lampeknappen på batterikassen for å tenne lampene. Slå av lampene ved å trykke på lampeknappen en gang til.

► **Fig.35:** 1. Lampeknapp 2. Lampe

MERK: Lampene slår seg av hvis maskinen står uten tilsyn i ca. 10 minutter.

MERK: Lampene slår seg av når strømmen slås av.

MERK: Du kan tenne lampene selv om låsenøkkelen ikke er satt i.

Justere håndtakhøyden

Fjern de korte sekskantboltene og skulderboltene med skrunøkkelen som følger med i pakken, og deretter justerer du håndtakhøyden. Høyden kan justeres i tre nivåer. Stram skulderboltene og de korte sekskantboltene for å feste håndtaket.

► **Fig.36:** 1. Kort sekskantbolt 2. Skulderbolt

OBS: Fest venstre og høyre håndtak i samme høyde.

OBS: Ikke stram de korte sekskantboltene for hardt. Stram dem med riktig kraft slik at håndtakene festes stabilt.

OBS: Ikke klem ledningene med boltene.

Justere bakhjulenes bredde

Løsne de korte sekskantboltene med skrunøkkelen som følger med i pakken, og deretter skyver du bakhjulene.

► **Fig.37:** 1. Bakhjul

Stram de korte sekskantboltene med skrunøkkelen som følger med i pakken for å feste hjulene.

► **Fig.38:** 1. Kort sekskantbolt

FORSIKTIG: Forleng bakhjulene maksimalt for å holde balansen. Når bakhjulene ikke er forlengt, holder du lasten på et minimum.

OBS: Fest bakhjulene i samme stilling på begge sider.

Justere lasteplanetets bredde

Løsne de seks fingermutrene, og skyv deretter front- og siderekkerene. Stram fingermutrene for å feste front- og siderekkerene.

► **Fig.39:** 1. Fingermutter 2. Rekkverk

FORSIKTIG: Ikke skyv rekkverkene lengre enn grensemerket.

► **Fig.40**

BRUK

Bruke maskinen

OBS: På denne maskinen drives fremhjulet av batteristrøm. Bruk denne maskinen for å bidra til bæring.

OBS: Pass på å sette låsenøkkelen inn i batterikassen før bruk. Hvis låsenøkkelen ikke er satt i, avgis en kort pipetone når du trekker i startbryteren. Pipetonen stanses ved å slippe startbryteren og trekke i bremsespaken.

1. Velg batteriet med bryteren for batterivalg.
2. Trykk på strømknappen på kontrollknappen i noen sekunder for å slå på strømmen.

► Fig.41: 1. Strømknapp

3. Trekk i bremsespaken for å frigjøre bremsespakens sperre.

► Fig.42: 1. Sperreknapp 2. Bremsespak

MERK: Frigjør bremsen for bakhjul hvis bakhjulene er montert.

4. Hold godt fast i håndtakene med begge hender.

► Fig.43

5. Trekk i startbryteren.

► Fig.44: 1. Startbryter

Laste gjenstander

⚠FORSIKTIG: Før du laster gjenstander på maskinen, må du kontrollere at strømmen er slått av og at bremsespaken er låst.

⚠FORSIKTIG: Hvis bakhjulene er montert, må du kontrollere at bremsen for bakhjul er låst før du laster gjenstander på maskinen.

⚠FORSIKTIG: Før du laster gjenstander på maskinen, må du kontrollere at lasteplanet eller skålen er låst.

⚠FORSIKTIG: Sørg for å laste gjenstander innenfor lasteplanet eller skålen. Hvis gjenstander stikker ut fra lasteplanet eller skålen, kan de falle ut eller falle sammen hvis de kommer borti hindringer.

► Fig.45

⚠FORSIKTIG: Sørg for å laste gjenstander slik at de er under øyehøyde. Hvis lasten er for høy, er det farlig fordi sikten hindres. Det er dessuten fare for å velte og derved skade fordi lasten sannsynligvis vil komme i ubalanse.

► Fig.46

Når du laster gjenstander på lasteplanet, må du sikre gjenstandene med tau og feste dem til taukrokene.

► Fig.47

Losse gjenstander

⚠FORSIKTIG: Løft lasteplanet eller skålen på flatt og stabilt underlag. Bruk på ustabil underlag kan føre til uhell eller skade.

Du kan losse gjenstandene ved å løfte og vippe lasteplanet eller skålen.

1. Stans maskinen, og deretter låser du bremsene.

OBS: Det anbefales å blokkere fremhjulet for å stabilisere maskinen.

2. Frigjør sperrehendelen.

3. Stå på siden av maskinen, hold i håndtaket med den ene hånden, og deretter løfter og vipper du lasteplanet eller skålen ved å skyve opp lasteplanrammen med den andre hånden.

► Fig.48

⚠FORSIKTIG: Hold godt fast i håndtaket og lasteplanrammen, og jobb med en stabil kroppsholdning.

⚠FORSIKTIG: Hold lasten på et minimum. Hvis lasten er stor, må du ikke prøve å løfte lasteplanet. Reduser lasten, og deretter løfter du lasteplanet.

⚠FORSIKTIG: Etter at du har losset gjenstandene, må du sørge for å låse lasteplanet eller skålen.

VEDLIKEHOLD

⚠FORSIKTIG: Du må alltid parkere maskinen på flatt underlag og låse bremsespaken før oppbevaring eller før du utfører undersøkelser eller vedlikehold.

⚠FORSIKTIG: Hvis bakhjulene er montert, må du kontrollere at bremsen for bakhjul er låst før oppbevaring, undersøkelser eller vedlikehold.

⚠FORSIKTIG: Sørg alltid for at låsenøkkelen og batteriet er tatt ut av maskinen før oppbevaring, undersøkelser eller vedlikehold.

⚠FORSIKTIG: Du må alltid ta ut låsenøkkelen når maskinen ikke er i bruk. Oppbevar låsenøkkel på et trygt sted, utilgjengelig for barn.

Periodiske kontroller

- Kontroller at boltene og mutrene er strammet godt.

► Fig.49

- Kontroller at lasteplanet er låst når sperrehendelen er trukket helt ned.

► Fig.50: 1. Lasteplansperre 2. Sperrehendel

- Kontroller at bremsespaken fungerer som den skal.

► Fig.51: 1. Bremsespak

⚠ ADVARSEL: Hvis bremsespaken når håndtaket når du trekker hendelen helt til, fungerer bremsen ikke som den skal. Juster bremsen, eller be nærmeste Makita-serviceverksted om å reparere den.

- Kontroller at fremhjulet ikke er ødelagt eller flatt.

Rengjøre maskinen

OBS: Aldri bruk gasolin, bensin, tynner alkohol eller lignende. Det kan føre til misfarging, deformering eller sprekkdannelse.

OBS: Tøm vannet under lasteplanet eller skålen når du rengjør maskinen med rennende vann. Ikke bruk høytrykksspyleren til rengjøring.

Fjern søle, smuss og lignende fra maskinen. Rengjør maskinen med rennende vann. Tørk av maskinen med en tørr klut etter rengjøring.

Oppbevaring

Ta ut låsenøkkelen. Oppbevar maskinen på et trygt sted som er utilgjengelig for barn.

Når du oppbevarer maskinen, kan håndtakene vendes mot forsiden. Fjern de korte sekskantboltene og skulderboltene med skrunøkkelen som følger med i pakken. Drei håndtakene mot utsiden, og deretter roterer du håndtakene mot forsiden. Stram skulderboltene og de korte sekskantboltene for å feste håndtakene.

► **Fig.52:** 1. Skulderbolt 2. Kort sekskantbolt

OBS: Ikke stram de korte sekskantboltene for hardt. Stram dem med riktig kraft slik at håndtakene festes stabilt.

OBS: Ikke klem ledningene med boltene.

Justere bremsen

⚠ FORSIKTIG: Hvis bakhjulene er montert, må du låse bremsen for bakhjul før du justerer bremsen.

1. Fjern lasteplanet eller skålen, og deretter åpner du lasteplanrammen.

► **Fig.53:** 1. Lasteplanramme

2. Trekk i bremsespaken for å frigjøre bremsespakens sperreknapp.

► **Fig.54:** 1. Sperreknapp 2. Bremsespak

3. Løsne justeringshylsen og festemutteren.

► **Fig.55:** 1. Justeringshylse 2. Festemutter

4. Stram kun festemutteren.

► **Fig.56:** 1. Festemutter

5. Løsne justeringshylsen og festemutteren.

► **Fig.57:** 1. Justeringshylse 2. Festemutter

6. Stram kun festemutteren.

► **Fig.58:** 1. Festemutter

7. Kontroller at bremsespaken i den midterste stillingen når den er trukket helt ned. Hvis bremsespaken er i den midterste stillingen, går du til trinn 13. Hvis bremsespaken ikke er i den midterste stillingen, går du til trinn 8.

► **Fig.59:** 1. Bremsespak

8. Løsne kun festemutteren.

► **Fig.60:** 1. Festemutter

9. Stram festemutteren og justeringshylsen sammen.

► **Fig.61:** 1. Justeringshylse 2. Festemutter

10. Løsne kun festemutteren.

► **Fig.62:** 1. Festemutter

11. Stram festemutteren og justeringshylsen sammen.

► **Fig.63:** 1. Justeringshylse 2. Festemutter

12. Kontroller at bremsespaken i den midterste stillingen når den er trukket helt ned.

► **Fig.64:** 1. Bremsespak

13. Fold lasteplanrammen, og deretter fester du lasteplanet eller skålen.

► **Fig.65:** 1. Lasteplanramme

VALGFRITT TILBEHØR

⚠ FORSIKTIG: Det anbefales at du bruker dette tilbehøret eller verktøyet sammen med den Makita-maskinen som er spesifisert i denne håndboken. Bruk av annet tilbehør eller verktøy kan forårsake personskader. Tilbehør og verktøy må kun brukes til det formålet det er beregnet på.

Ta kontakt med ditt lokale Makita-servicesenter hvis du trenger mer informasjon om dette tilbehøret.

- Lasteplan
- Skål
- Makita originalbatteri og lader

MERK: Enkelte elementer i listen kan være inkludert som standardtilbehør i verktøypakken. Elementene kan variere fra land til land.

TEKNISET TIEDOT

Malli:		DCU180
Mitat (P x L x K)	Kannattimen asennuksen jälkeen	Käytön aikana: 1 560 mm x 1 060 mm x 900 mm Varastoitaessa: 1 110 mm x 670 mm x 820 mm
	Kaukalon asennuksen jälkeen	Käytön aikana: 1 310 mm x 790 mm x 900 mm Varastoitaessa: 1 110 mm x 590 mm x 820 mm
Ajonopeus	Eteenpäin	1,5 tai 3,5 km/h
	Peruutus	1,0 km/h
Pienin kääntösäde		1 075 mm (Ulkohalkaisija, kun käännyttään etupyörä akselina)
Suurin nousukapasiteetti		12°:ssa
Maksimikantavuus		130 kg
Jarru	Etupyörä	Levyjarru vaijerilla
	Takapyörä	Kiinteä polkimella
Rengas	Etupyörä	Sisäkumiton rengas
	Takapyörä	Itsetiivistyvä rengas
Nimellisjännite		DC 18 V
Vakio akkupaketti		BL1815N / BL1820 / BL1820B / BL1830 / BL1830B / BL1840 / BL1840B / BL1850 / BL1850B / BL1860B
Laturi		DC18RC / DC18RD / DC18SD / DC18SE / DC18SF
Nettopaino	Kannattimen asennuksen jälkeen	45 kg
	Kaukalon asennuksen jälkeen	39 - 40 kg

- Jatkuvasta tutkimus- ja kehitystyöstämme johtuen esitetyt tekniset tiedot saattavat muuttua ilman erillistä ilmoitusta.
- Tekniset tiedot ja akkupaketti voivat vaihdella maittain.
- Paino voi olla erilainen lisävarusteista sekä akusta johtuen. EPTA-menettelytavan 01/2014 mukaisesti, taulukossa on kuvattu kevyin ja painavin laiteyhdistelmä.

Symbolit

Laitteessa on käytetty seuraavia symboleja. Opettele niiden merkitys ennen käyttöä.

	Lue käyttöohje.
	Koskee vain EU-maita Älä hävitä sähkölaitteita tai akkuja tavallisen kotitalousjätteen mukana! Sähkö- ja elektroniikkalaiteromua koskevan EU-direktiivin ja paristoja ja akkuja sekä käytettyjä paristoja ja akkuja koskevan direktiivin ja niiden maaehtoisten sovellusten mukaisesti käytetyt sähkölaitteet ja akut on toimitettava ongelmajätteen keräyspisteeseen ja ohjattava ympäristöystävälliseen kierrätykseen.
	Työnnä vipu täysin alas ja tarkasta, että kuljetusalusta tai kaukalo on lukittuna.
	Älä muuta suuntaa jyrkillä rinteillä.
	Kuormaa ja pura kuorma tasaisella alustalla.



Sijoita kuorma tasaisesti kuljetusalustalle tai kaukaloon.



Tätä laitetta ei saa käyttää yleisillä teillä.



Älä käytä laitetta henkilökuljetukseen.



Älä altista laitetta sateelle.



Keskeytä äänimerkki vapauttamalla liipaisinkytkin ja vetämällä jarruvipua.

Käyttötarkoitus

Kone on tarkoitettu esineiden kuormaamiseen ja kuljettamiseen.

EY-vaatimustenmukaisuusvakuutus

Koskee vain Euroopan maita

EY-vaatimustenmukaisuusvakuutus on liitetty tähän käyttöoppaaseen.

TURVAVAROITUKSET

Sähkötyökalujen käyttöä koskevat yleiset varoitukset

VAROITUS: Tutustu kaikkiin tämän sähkötyökalun mukana toimitettuihin varoituksiin, ohjeisiin, kuviin ja teknisiin tietoihin. Seuraavassa lueteltujen ohjeiden noudattamatta jättäminen saattaa johtaa sähköiskuun, tulipaloon tai vakavaan vammautumiseen.

Säilytä varoitukset ja ohjeet tulevaa käyttöä varten.

Varoituksissa käytettävällä termillä ”sähkötyökalu” tarkoitetaan joko verkkovirtaa käyttävää (johdollista) työkalua tai akkukäyttöistä (johdotonta) työkalua.

Akkukäyttöistä työntökärryä koskevat turvallisuusvaroitukset

1. Tätä laitetta ei saa käyttää yleisillä teillä.
2. Käytä laitetta käyttäessäsi aina luistamattomia turvajalkineita. Luistamattomat turvakärjellä varustetut turvasaappaat ja -kengät vähentävät tapaturmavaaraa.
3. Tarkasta kulkutie ennen esineiden/materiaalien kuljettamista. Tutustu kulkutiehen ja varmista, että se on riittävän leveä laitteen kuljettamiseksi kuormattuna, koska tämä ehkäisee laitehallinnan menettämisen.
4. Ole äärimmäisen varovainen liukkaalla, upottavalla ja epävakaalla alustalla. Märät ja liukkaat pinnat, kuten ruohikko, lumi tai jää sekä upottava ja epävaka maasto, kuten hiekka- tai sorapinnat voivat johtaa laitteen pidon menettämiseen ja vaikeuttaa ohjausta, jarrutusta ja vakautta.
5. Älä käytä laitetta erittäin jyrkissä rinteissä. Tämä vähentää hallinnan menettämisen, luistamisen ja putoamisen vaaraa, joka voi johtaa henkilövahinkoon. Suositeltua maksimikulmaa ja sivukaltevuutta suuremmat kaltevuudet lisäävät epävakausta ja vaikuttavat kykyyn pysähtyä turvallisesti.
6. Työskennellessäsi rinteissä, säilytä hyvä tasapaino, kulje rinteiden poikki, ei koskaan ylös tai alas ja ole erittäin varovainen vaihtaessasi suuntaa. Tämä vähentää hallinnan menettämisen, luistamisen ja putoamisen vaaraa, joka voi johtaa henkilövahinkoon.
7. Käytä aina kun mahdollista tasaisia alueita pysähtymiseen, kuormaamiseen ja purkamiseen ja älä koskaan jätä laitetta ilman valvontaa rinteeseen. Laite on epävakaampi rinteessä kuin tasaisella alustalla.
8. Kun pysähtyit rinteeseen, suuntaa laite ylä- tai alamäkeen ja aseta vierintäesteet jarruttamattomien pyörien eteen. Laite on epävakaampi sijoitettuna rinteeseen poikkisuuntaan. Jarruttamattomat pyörät, etenkin kääntyvät pyörät, voivat kääntyä alamäkeen, vaikka etupyörän pysäköintijarru olisi kytketty.

9. Jos laite jätetään ilman valvontaa, kytke pysäköintijarru laitteen ollessa turvallisella pysäytysalueella. Pysäköintijarru estää etupyörän tahattoman liikkeen ja voi parantaa vakautta.
10. Varmista, että rampit ovat puhtaat, vahvat ja turvalliset. Tapaturmavaaran rajoittamiseksi, kaikkien ramppien on oltava puhtaasti roskista ja riittävän vahvoja kestämään niiden päällä liikutettavia kuormia. Niissä on oltava riittävä tuenta alapuolella ja molemmilla laidoilla joustamisen ja sivuttaisliikkeen estämiseksi kuormattuna. Ramppien on oltava riittävän leveitä turvallisen kulkemisen varmistamiseksi, kuormien kuljettamisessa niiden yli.
11. Vältä ramppien jatkamista ilman tasaajia tai kaiteita avoimien tilojen kohdalla. Korkeat avoimet tilat ja ojat altistavat vahingossa tapahtuvaan putoamiseen ja lisäävät mahdollisen vakavan tapaturman vaaraa. Käytä tasaajia tai kaiteita rampeissa avoimien tilojen yläpuolella, estääksesi laitteen ajamisen pois rampeilta.
12. Varmista, että kaikki lukitusruuvit on kiristetty ennen käyttöä. Lukitusruuvien takapyörissä ja avoimen kaukalon etu- ja sivuseinillä on oltava kiinnitetty, näiden laitteiden säädettävien osien tahattoman liikkumisen estämiseksi.
13. Älä käytä laitetta ylikuormattuna. Varmista, että laitteen kapasiteetti on riittävä kuljetettavalle esineelle tai materiaalille. Ylikuorma tekee koneen hallinnasta ja pysäyttämisestä vaikeaa, pidentää pysähdysmatkaa ja -aikaa ja lisää epävakauden vaaraa.
14. Älä käytä laitetta ylikorkealla kuormalla. Materiaalin pinoaminen kaukalon reunan yli voi johtaa laitteen tasapainon ja hallinnan menettämiseen.
15. Käytä säiliöitä ja sidontanauhoja kuormien sitomiseen. Löysät ja/tai epävakaat kuormat liikkuvat helposti ja voivat johtaa tasapainon ja hallinnan menettämiseen.
16. Pidä aina tukeva ote kahvoista. Hallinnan menettäminen kasvattaa tapaturmavaaran mahdollisuutta.
17. Poista turva-avain, kun laitetta ei käytetä. Turva-avain estää lasten tai kouluttamattomien tai valtuuttamattomien henkilöiden laitteen käytön virta kytkettyinä. Sähkövirtaa ei voida kytkeä päälle ilman avainta.
18. Käytä kestävää ja luistamattomaa levyä ja irtoamisen estävää toimintoa tämän laitteen lastaamiseen ja/tai purkamiseen kuljetusta varten, tai laitteen siirtämiseen eri tasojen välillä. Varmista, että levyn kallistus ei ylitä 12°, ja että käytät laitetta hitaasti ja varovaisesti. Epävakaata ja nopeaa toimintaa voi aiheuttaa kaatumisen ja/tai putoamisen.
19. Älä pura, korjaa tai muuntele tätä laitetta.

Käyttö

1. Seiso laitteen takana ja pidä kahvoista tukevasti laitteen käytön aikana.
2. Älä käytä laitetta ollessasi sen päällä.
3. Älä kuljeta ketään laitteen päällä.
4. Kun laitetta peruutetaan ja kävellään taakseen, katso taaksesi ja varo liukastumista tai kompastumista.

5. Älä käytä laitetta näkyvyyden ollessa heikko, koska voit osua esteisiin.
6. Jos laitetta käytetään vaikeassa maastossa, alenna nopeutta ja ohjaa sitä varovasti.
7. Laitteen käytön aikana vältä pehmeitä alustoja kaatumisen välttämiseksi alustan mahdollisesti pettäessä.
8. Älä käytä laitetta kaltevuudeltaan yli 12° rinteissä.
9. Jos huomaat epätavallisuksia, pysäytä laite tasaiselle alustalle. Vedä jarruvipua, lukitse jarru ja kytke virta pois päältä ennen laitteen tarkastamista.
10. Varmista ennen laitteen käyttöä, että lukkovipu on vedetty täysin alas ja lukittu kunnolla. Jos lukitus on puutteellinen, voi se johtaa tapaturmaan tai henkilövammaan kuljetusalustan tai kaukalon kallistuessa ja esineiden pudotessa alamäkeen.
11. Varo, etteivät johdot juutu kuormaun tai esteisiin.
7. Kuormaa raskaat esineet ensin tasapainon säilyttämiseksi.
8. Älä jatka etu- ja sivukaiteita jyrkissä rinteissä. Jatka sivukaiteet kun kevyitä esineitä on kuormattu.
9. Kun etu- ja sivukaiteet jatketaan, älä jatka niitä rajoituksen yli. Jatka sivukaiteet niin, että oikea ja vasen laita on saman pituinen ja kuormaa kuorma tasaisesti.
10. Kuormaa ja pura kuorma tasaisella alustalla.
11. Kun kuljetusalustaa tai kaukaloa nostetaan tai kallistetaan, pidä kahvoista tukevasti ja seisole tukevassa asennossa.

Huolto

1. Pysäköi laite aina tasaiselle alustalle ja lukitse jarruvipu, ennen varastointia tai tarkastusta ja huoltoa.

SÄILYTÄ NÄMÄ OHJEET.

VAROITUS: ÄLÄ anna työkalun helppokäyttöisyyden (toistuvan käytön aikaansaama) johtaa sinua väärään turvallisuuden tunteeseen niin, että laiminlyöt työkalun turvaohjeiden noudattamisen. **VÄÄRINKÄYTTÖ** tai tässä käyttöohjeessa ilmoitettujen turvamääräysten laiminlyönti voi aiheuttaa vakavia henkilövahinkoja.

Akkupakettia koskevia tärkeitä turvaohjeita

Käyttö rinteissä

1. Älä kulje rinteiden poikki.
2. Alenna nopeutta ja ohjaa varovasti.
3. Ole varovainen laitteen käynnistämisesä tai pysäyttämisesä rinteessä.
4. Koska kuormat ovat epävakaia rinteissä, kiinnitä kuorma kunnolla köysillä.
5. Koska laite muuttuu epävakaaksi tieolosuhteista johtuen, pidä kuorma mahdollisimman pienenä.
6. Koska näkyvyys heikkenee rinteessä, pidä kuorman korkeus minimissä.
7. Älä koskaan pysäköi laitetta jyrkkiin rinteisiin. Pysäköi laite tasaiselle alustalle, vedä jarruvipua, lukitse jarru ja kytke virta pois päältä.
8. Älä muuta suuntaa tai nopeustilaa nopeasti jyrkillä rinteillä.
9. Älä vapauta liipaisinkytkintä ylämäessä. Kone voi vaihtaa peruutustilaan ja aiheuttaa tapaturman.
10. Varmista, että akun jäljellä oleva varaus on riittävä käyttöön rinteessä. Jos akkuvaraus ei ole riittävä, lataa tai vaihda akku ladattuun.

Kuormaus

1. Älä ylikuormaa. Noudata käyttöohjeen ohjeita ja kuormausrajoituksia kuormauksen yhteydessä.
2. Kiinnitä kuorma kunnolla köysillä.
3. Sijoita kuorma kuljetusalustan tai kaukalon sisälle. Jos kuorma työntyy kuljetusalustan tai kaukalon ulkopuolelle, voi se johtaa putoavista esineistä tai esteisiin osumisesta johtuviin tapaturmiin.
4. Varmista, että kuorma on silmien tason alapuolella. Jos kuorma on liian korkea, on se vaarallinen näkyvyyden heikentymisestä johtuen. Olemassa on myös kaatumisen ja tapaturman vaara, koska kuorma on todennäköisesti epätasapainossa.
5. Sijoita kuorma kuljetusalustalle tai kaukaloon tasaisesti. Jos kuorma asetetaan epätasapainoon, voi se johtaa kaatumisen ja tapaturman vaara, koska kuorma on todennäköisesti epätasapainossa.
6. Varmista ennen kuormaamista ja laitteen käyttöä, että lukkovipu on vedetty täysin alas ja lukittu kunnolla.

1. Ennen akun käyttöönottoa tutustu kaikkiin laturissa (1), akussa (2) ja akkukäyttöisessä tuotteessa (3) oleviin varoitusteksteihin.
2. Älä pura akkua.
3. Jos akun toiminta-aika lyhenee merkittävästi, lopeta akun käyttö. Seurauksena voi olla ylikuumentuminen, palovammoja tai jopa räjähdys.
4. Jos akkunestettä pääsee silmiin, huuhtele puhtaalla vedellä ja hakeudu välittömästi lääkärin hoitoon. Akkuneste voi aiheuttaa näön menetyksen.
5. Älä oikosulje akkua.
 - (1) Älä koske akun napoihin millään sähköä johtavalla materiaalilla.
 - (2) Vältä akun oikosulkemista äläkä säilytä akkua yhdessä muiden metalliesineiden, kuten navojen, kolikoiden ja niin edelleen kanssa.
 - (3) Älä aseta akkua alttiiksi vedelle tai sateelle.
 Oikosulku voi aiheuttaa virtapiikin, ylikuumentumista, palovammoja tai laitteen rikkoontumisen.
6. Älä säilytä työkalua ja akkua paikassa, jossa lämpötila voi nousta 50 °C:een tai sitäkin korkeammaksi.
7. Älä hävitä akkua polttamalla, vaikka se olisi pahoin vaurioitunut tai täysin loppuun kulunut. Avotuli voi aiheuttaa akun räjähtämisen.
8. Varo kolhimasta tai pudottamasta akkua.
9. Älä käytä viallista akkua.

10. Sisältyviä litium-ioni-akkuja koskevat vaarallisten aineiden lainsäädännön vaatimukset.

Esimerkiksi kolmansien osapuolten huolintaliikkeen tulee kaupallisissa kuljetuksissa noudattaa pakkaamista ja merkintöjä koskevia erityisvaatimuksia. Lähetettävän tuotteen valmistelu edellyttää vaarallisten aineiden asiantuntijan neuvontaa. Huomioi myös mahdollisesti yksityiskohtaisemmat kansalliset määräykset

Akun avoimet liittimet tulee suojata teipillä tai suojuksella ja pakkaaminen tulee tehdä niin, ettei akku voi liikkua pakkauksessa.

11. Hävitä akku paikallisten määräysten mukaisesti.

SÄILYTÄ NÄMÄ OHJEET.

▲HUOMIO: Käytä vain alkuperäisiä Makita-akkuja. Muiden kuin aitojen Makita-akkujen, tai mahdollisesti muutettujen akkujen käyttö voi johtaa akun murtumiseen ja aiheuttaa tulipaloja, henkilö- ja omaisuusvahinkoja. Se mitätöi myös Makita-työkulun ja -laturin Makita-takuun.

Vihjeitä akun käyttöiän pidentämiseksi

1. Lataa akku ennen kuin se purkautuu täysin. Lopeta aina työkalun käyttö ja lataa akku, jos huomaat työkalun tehon vähenevän.
2. Älä koskaan lataa uudestaan täysin ladattua akkua. Ylilataaminen lyhentää akun käyttöikää.
3. Lataa akku huoneen lämpötilassa välillä 10 °C - 40 °C. Anna kuuman akun jäähtyä ennen lataamista.
4. Lataa akkupaketti, jos et käytä sitä pitkään aikaan (yli kuusi kuukautta).

OSIEN KUVAUS

Osien kuvaus (kun kuljetusalusta on asennettu)

► Kuva1

1	Ohjauspaneeli	2	Kahva
3	Liipaisinkytkin	4	Akkukotelo
5	Etupyörän jarruvipu	6	Takapyörä
7	Jarrupoljin takapyörälle	8	Lamppu
9	Etupyörä	10	Kuljetusalusta

Osien kuvaus (kun kaukalo on asennettu)

► Kuva2

1	Ohjauspaneeli	2	Kahva
3	Liipaisinkytkin	4	Akkukotelo
5	Etupyörän jarruvipu	6	Takapyörä
7	Jarrupoljin takapyörälle	8	Lamppu
9	Etupyörä	10	Kauha

KOKOONPANO

▲HUOMIO: Varmista aina, että laite on sammutettu ja akku irrotettu, ennen koneeseen suoritettavia työtoimenpiteitä.

Pääyksikön asennus

1. Poista perusyksikkö ja kahvat laatikosta.

► Kuva3

HUOMAUTUS: Poista perusyksikkö ja kahvat yhdessä niin, että johtoihin ei kohdistu liikaa rasitusta.

2. Sijoita pakkausmateriaali perusyksikön takapuolen alle.

► Kuva4: 1. Pakkausmateriaali

3. Asenna takapyörät runkoon.

► Kuva5: 1. Takapyörä

► Kuva6: 1. Takapyörä

HUOMAA: Tukijalat voidaan asentaa takapyörien sijaan.

4. Aseta jousialuslevy ja aluslevy lyhyeen kuusiokantapulttiin ja kiristä ne pakkaukseen sisältyvällä avaimella.

► Kuva7: 1. Lyhyt kuusiokantapultti 2. Jousialuslevy 3. Aluslevy

► Kuva8

HUOMAUTUS: Varmista, että käytät lyhyitä kuusiokantapultteja takapyörien kiristämiseen.

HUOMAUTUS: Kiinnitä takapyörät samaan asentoon molemmalla puolella.

5. Nosta kahvat ylös ja aseta ne perusyksikköön.

► Kuva9

HUOMAUTUS: Älä päästä johtoja alueen "A" sisään kuvassa. Pitkät esineet voivat juuttua johtoihin ja aiheuttaa tapaturman.

HUOMAUTUS: Älä altista johtoja suurelle rasitukselle kahvojen nostamisen ja asennuksen yhteydessä.

HUOMAUTUS: Nosta kahvat molemmin käsin.

6. Avaa kuljetusalusta runko eteenpäin.

► Kuva10: 1. Kuljetusalustan runko

7. Avaa kahvat, aseta pitkät kuusiokantapultit perusyksikköön ja kiristä mutterit pakkaukseen sisältyvällä avaimella.

► Kuva11: 1. Pitkä kuusiokantapultti

8. Kiristä olakepultit takaa päin pakkaukseen sisältyvällä avaimella.

► Kuva12: 1. Olakepultti

9. Kiristä lyhyet kuusiokantapultit molemmalta puolelta pakkaukseen sisältyvällä avaimella.

► Kuva13: 1. Lyhyt kuusiokantapultti

HUOMAUTUS: Älä kiristä lyhyitä kuusiokantapultteja liian tiukkaan. Kiristä ne sopivan kireälle niin, että kahvat on kiinnitetty kunnolla.

HUOMAUTUS: Älä kiristä johtoja pulttien väliin.

10. Kiinnitä johdot kiinnikkeillä.
► **Kuva14:** 1. Kiinnike
11. Taita kuljetusalustan runko.
► **Kuva15:** 1. Kuljetusalustan runko
12. Paina lukkopainiketta vetäessäsi lukkovipua jarrun lukitsemiseksi.
► **Kuva16:** 1. Lukituspainike 2. Jarruvipu

HUOMIO: Jos takapyörät on asennettu, paina takapyörän jarrupoljinta sen lukitsemiseksi.

13. Kiinnitä kuljetusalustan lukko ja vedä lukkovipua ala kuljetusalustan lukitsemiseksi.
► **Kuva17:** 1. Kuljetusalustan lukko 2. Lukitusvipu

HUOMAUTUS: Varmista, että lukitusvipu on lukittu.

HUOMAUTUS: Älä kiristä johtoja lukkovivun väliin.

HUOMAA: Jos tukijalat asennetaan takapyörän sijaan, irrota takapyörät rungoista ja kiinnitä tukijalat runkoihin.

- **Kuva18:** 1. Takapyörä 2. Tukijalat

Kuljetusalustan kokoonpano ja asennus

Lisävaruste

1. Poista kuljetusalusta laatikosta, kiinnitä etu- ja sivukäteet perusrunkoon ja kiristä ne siipimuttereilla.
► **Kuva19:** 1. Siipimutteri
2. Sijoita kuljetusalusta perusyksikköön ja aseta kuusiokantapultit ja aluslevyt runkoihin yläpuolelta. Kiristä aluslevyt, jousialuslevyt ja siipimutterit alapuolelta kuljetusalustan kiinnittämiseksi.
► **Kuva20:** 1. Pitkä kuusiokantapultti 2. Lyhyt kuusiokantapultti 3. Aluslevy 4. Jousialuslevy 5. Siipimutteri

HUOMAUTUS: Käytä pitkiä pultteja etuosassa ja lyhyitä takaosassa.

Kaukalon asennus

Lisävaruste

- Aseta kaukalo perusyksikköön ja aseta kuusiokantapultit ja runkoihin yläpuolelta ja kiristä aluslevyt ja jousialuslevyt ja siipimutterit alapuolelta kaukalon kiinnittämiseksi.
- **Kuva21:** 1. Kuusiopultti 2. Aluslevy 3. Jousialuslevy 4. Siipimutteri

TOIMINTOJEN KUVAUS

Akun asentaminen tai irrottaminen

HUOMIO: Sammuta kone aina ennen akun kiinnittämistä tai irrottamista.

HUOMIO: Varmista ennen käyttöä, että akun suojuus on lukittu. Muuten muta, hiekka tai vesi voisi vaurioittaa tuotetta tai akkua.

HUOMIO: Työnnä akku aina pohjaan asti, niin että punainen ilmainen ei enää näy. Jos akku ei ole kunnolla paikallaan, se voi pudota koneesta ja aiheuttaa vammoja joko sinulle tai sivullisille.

HUOMIO: Älä käytä voimaa akun asennuksessa. Jos akku ei liu'u paikalleen helposti, se on väärässä asennossa.

HUOMIO: Älä käytä korkean lämpötilan akkua. Jos korkean lämpötilan akkua käytetään, laite pysähtyy automaattisesti ennen lyhyen äänimerkin antamista ja voi aiheuttaa tapaturman.

Akun asentaminen

1. Kierrä lukitusvipua ja avaa akun kansi.
► **Kuva22:** 1. Lukitusvipu 2. Suoja
2. Kohdista akun kieli akkukotelon rakoön liu'uta sitten akkua, kunnes se lukkiutuu paikalleen hieman napsahtaen. Jos painikkeen yläpuolella näkyy punainen ilmainen, akku ei ole lukkiutunut paikoilleen täysin.
► **Kuva23:** 1. Akkupaketti
3. Työnnä lukitusavain paikalleen niin pitkälle kun sen menee.
► **Kuva24:** 1. Lukitusavain

HUOMAA: Jos lukitusavain ei ole paikallaan, kone ei toimi.

4. Sulje akun kansi ja kierrä lukitusvipua.
► **Kuva25:** 1. Lukitusvipu 2. Suoja

Akun poistaminen

1. Kierrä lukitusvipua ja avaa akun kansi.
2. Irrota akku painamalla akun etupuolella olevaa painiketta ja vetämällä akku ulos koneesta.
► **Kuva26:** 1. Painike
3. Vedä lukitusavain irti.
4. Sulje akun kansi ja kierrä lukitusvipua.

Laitteen/akun suojausjärjestelmä

Laite on varustettu koneen/akun suojausjärjestelmällä. Tämä järjestelmä pidentää laitteen ja akun käyttöikää katkaisemalla automaattisesti moottorin virran. Laite pysähtyy automaattisesti kesken käytön, jos laitteessa tai akussa ilmenee jokin seuraavista tilanteista. Lyhyt äänimerkki kuuluu ennen kuin laite pysähtyy automaattisesti. Akkuilmaisimet ja LED-valot vilkkuvat valkoisina ja äänimerkki kuuluu.

Ylikuormitusuoja

Kun laitetta käytetään tavalla, jossa virrankulutus on suuri, laite pysähtyy automaattisesti ilmoittamatta tästä. Sammuta laite tässä tilanteessa ja poista ylikuormituksen syy, ja kytke laite päälle uudestaan.

Ylikuumenemissuoja

Kun laite ylikuumentuu, se pysähtyy automaattisesti. Anna laitteen jäähtyä, ennen kuin kytket sen uudelleen päälle. Ylikuumenemissuoja toimii todennäköisesti ympäristössä korkealla lämpötilalla.

Ylipurkautumissuoja

Jos akun varaus käy vähiin, laite pysähtyy automaattisesti. Jos laite ei toimi, vaikka kytkimiä käytetään, irrota akku ja suorita lataus.

Akun vaihtaminen

► **Kuva27:** 1. Akun valintakytkin

Kaksi akkua voidaan asentaa akkukoteloon, vaikka laite käyttäekin toimintaansa vain yhtä akkua kerrallaan. Valitse työssä käytettävä akku ennen laitteen käyttöä painamalla numeroa akun valintakytkimessä.











HUOMAUTUS: Jos vain yksi akku on asennettu akkukoteloon, valitse se akkukotelo jossa akku sijaitsee.

Näyttää akun jäljellä olevan varaustason akkukotelossa

▲HUOMIO: Muista sammuttaa laite ennen akun varaustilan tarkistamista tai akun vaihtamista.

► **Kuva28:** 1. Akun merkivalo 2. Tarkistuspainike

Painamalla tarkistuspainiketta saat näkyviin akun varaustason. Kumpikin akun ilmaisain vastaa yhtä akkua.

Akun tilan merkivalo		Akussa jäljellä oleva varaus
 Päällä	 Pois päältä	
		50 % – 100 %
		20 % – 50 %
		0 % – 20 %
		Akkua ei asennettu

▲HUOMIO: Kun akun varaus laskee alhaiseksi, kuuluu lyhyt äänimerkki. Jos laitteen käyttöä jatketaan alhaisella akun varauksella, kuuluu pitkä äänimerkki ja laite pysähtyy automaattisesti. Kun kuulet lyhyen äänimerkin, vedä jarruvipua ja lukitse jarru, vaihda akku ladattuun tai lataa akku. Kun akun varaus loppuu, laite pysähtyy äkillisesti automaattisesti ja tämä voi johtaa tapaturmaan.

HUOMAA: Jos jatkat liipaisinkytkimen vetämistä, vaikka kuulet lyhyen äänimerkin, laite pysähtyy automaattisesti. Kun laite on pysähtynyt automaattisesti, äänimerkki jatkuu ja apujarru (sähköjarru) kytkeytyy päälle. Äänimerkin lopettamiseksi ja apujarrun vapauttamiseksi, vedä jarruvipua ja vapauta liipaisinkytkin. Älä työnnä laitetta väkisin vapauttamatta apujarrua. Kun apujarru on vapautettu, voit nähdä mikä akun suojajärjestelmä on käytössä tarkastamalla akun merkivalon tilan.

► **Kuva29:** 1. Valot 2. Viikkuu 3. Kytkeytyy pois päältä 4. Ylikuumenemissuoja 5. Ylipurkautumissuoja 6. Ylikuormitussuoja

▲HUOMIO: Jos äänimerkki kuuluu rinteessä käytettäessä tai pysähtyy automaattisesti rinteeseen, siirrä laite turvalliseen paikkaan, lukitse jarru ja vaihda ladattuun akkuun tai lataa akku.

Jos kuormitus on suuri ja äänimerkki kuuluu käytössä rinteessä tai laite pysähtyy automaattisesti rinteeseen, älä liikuta laitetta väkisin. Lukitse jarru, huomioi turvallisuus ja vaihda akku ladattuun ja siirrä laite turvalliseen paikkaan. Alenna kuormaa ennen laitteen uudelleen käyttöä.

























HUOMAA: Voit tarkastaa jäljellä olevan akun kapasiteetin, vaikka lukitusavain ei ole paikallaan.

Akun jäljellä olevan varaustason ilmaisain

Vain akkupaketeille ilmaisimella

► **Kuva30:** 1. Merkivalot 2. Tarkistuspainike

Painamalla tarkistuspainiketta saat näkyviin akun jäljellä olevan varauksen. Merkivalot palavat muutaman sekunnin ajan.

Merkivalot			Akussa jäljellä olevan varaus
 Palaa	 Pois päältä	 Viikkuu	
			75% - 100%
			50% - 75%
			25% - 50%
			0% - 25%
			Lataa akku.
			Akussa on saattanut olla toimintahäiriö.
			

HUOMAA: Ilmoitettu varaustaso voi erota hieman todellisesta varaustasosta sen mukaan, millaisissa oloissa ja missä lämpötilassa laitetta käytetään.

Ohjauspaneeli

► **Kuva31:** 1. Virtapainike 2. Eteen-/taaksepäin -painike 3. Nopeuspainike

Virran kytkemiseksi päälle, paina virtapainiketta muutama sekunti. Paina eteen-/taaksepäin -painiketta vaihtaaksesi eteenpäin- peruutustilan välillä. Paina nopeuspainiketta vaihtaaksesi matalan ja korkean nopeuden välillä. Kun virta on kytketty päälle, eteenpäin-tila ja alhainen nopeus on asetettu. Virran kytkemiseksi pois päältä, paina virtapainiketta muutama sekunti.

HUOMAA: Eteen-/taaksepäin -painike ei ole käytettävissä painettaessa liipaisinkytkintä.

HUOMAA: Lyhyt äänimerkki kuuluu käytettäessä laitetta peruutustilassa.

HUOMAA: Nopeuspainike ei ole käytettävissä peruutustilassa.

Kytkimen ja jarrun toiminta

VAROITUS: Varmista ennen akun asentamista laitteeseen, että liipaisinkytkin toimii oikein ja palautuu "POIS PÄÄLTÄ"-asentoon, kun se vapautetaan.

Käynnistä laite painamalla liipaisinkytkintä. Pysäytä laite vapauttamalla liipaisinkytkin ja vedä jarruvipua. Lukitse jarruvipua painamalla lukituspainiketta jarruvipua painettaessa. Avaa lukitus painamalla jarruvipua.

► **Kuva32:** 1. Liipaisinkytkin

► **Kuva33:** 1. Lukituspainike 2. Jarruvipu

Takapyöräjarru

Vasen takapyörä on varustettu jarrulla. Paina jarrupoljinta eteenpäin jarrun lukitsemiseksi. Vapauta jarru painamalla jarrupoljinta taaksepäin.

► **Kuva34:** 1. Poljin

Etulamppujen sytyttäminen

Paina lamppupainiketta akkukotelossa lamppujen sytyttämiseksi. Sammuta lamput painamalla painiketta uudestaan.

► **Kuva35:** 1. Lamppupainike 2. Lamppu

HUOMAA: Lamput sammuvat, jos laitetta ei käytetä n. 10 minuutin aikana.

HUOMAA: Lamput sammuvat kun virta kytketään pois päältä.

HUOMAA: Voit syyttää lamput, vaikka lukitusavain ei olisi paikallaan.

Kahvakorkeuden säätäminen

Irrota lyhyet kuusiokantapultit ja olakepultit pakkauksen sisältyvällä avaimella ja säädä kahvakorkeutta. Korkeutta voidaan säätää kolmella tasolla. Kiristä olakepultit ja lyhyet kuusiokantapultit kahvan kiinnittämiseksi.

► **Kuva36:** 1. Lyhyt kuusiokantapultti 2. Olakepultti

HUOMAUTUS: Kiinnitä vasen ja oikea kahva samalle korkeudelle.

HUOMAUTUS: Älä kiristä lyhyitä kuusiokantapultteja liian tiukkaan. Kiristä ne sopivan kireälle niin, että kahvat on kiinnitetty kunnolla.

HUOMAUTUS: Älä kiristä johtoja pulttien väliin.

Takapyörien leveyden säätäminen

Löysää lyhyitä kuusiokantapultteja pakkaukseen sisältyvällä avaimella ja säädä takapyöriä.

► **Kuva37:** 1. Takapyörä

Kiristä lyhyet kuusiokantapultit pakkaukseen sisältyvällä avaimella pyörien kiinnittämiseksi.

► **Kuva38:** 1. Lyhyt kuusiokantapultti

HUOMIO: Säädä takapyörät täysin ulos hyvän tasapainon varmistamiseksi. Kun takapyörät eivät ole täysin ulkona, pidä kuorma minimissä.

HUOMAUTUS: Kiinnitä takapyörät samaan asentoon molemmalla puolella.

Kuljetusalustan leveyden säätö

Löysää 6 siipimutteria ja työnnä etu- ja sivukaiteita. Kiristä siipimutterit etu- ja sivukaiteiden kiinnittämiseksi.

► **Kuva39:** 1. Siipimutteri 2. Kisko

HUOMIO: Älä jatka kaiteita rajamerkin yli.

► **Kuva40**

TYÖSKENTELY

Laitteen käyttö

HUOMAUTUS: Etupyörää käytetään koneen akkuteholla. Käytä laitetta kuljetustoimintojen helpottamiseksi.

HUOMAUTUS: Varmista, että lukitusavain on akkukotelossa ennen käyttöä. Jos lukitusavain ei ole paikallaan, lyhyt äänimerkki kuuluu painaessasi liipaisinkytkintä. Äänimerkki sammuu, kun liipaisinkytkin vapautetaan ja jarruvipua painetaan.

1. Valitse akku akun valintakytkimellä.
2. Paina painiketta ohjauspaneelissa muutaman sekunnin ajan virran kytkemiseksi päälle.
► **Kuva41:** 1. Virtapainike
3. Paina jarruvipua sen lukituksen vapauttamiseksi.
► **Kuva42:** 1. Lukituspainike 2. Jarruvipu

HUOMAA: Vapauta takapyörän jarru, jos takapyörät on asennettu.

4. Pidä kahvoista lujasti molemmin käsin.
► **Kuva43**
5. Vedä liipaisinkytkimestä.
► **Kuva44:** 1. Liipaisinkytkin

Kuormaus

▲HUOMIO: Varmista ennen kuormaamista, että virta on kytketty pois päältä ja jarruvipu lukittu.

▲HUOMIO: Jos takapyörät on asennettu, varmista, että ne on lukittu ennen koneen kuormaamista.

▲HUOMIO: Varmista ennen kuormaamista, että kuljetusalusta tai kaukalo on lukittu.

▲HUOMIO: Sijoita kuorma kuljetusalustan tai kaukalon sisälle. Jos kuorma työntyy kuljetusalustan tai kaukalon ulkopuolelle, voi se pudota tai liukua koskissaan esteisiin.

► Kuva45

▲HUOMIO: Varmista, että kuorma on silmien tason alapuolella. Jos kuorma on liian korkea, on se vaarallinen näkyvyyden heikentymisestä johtuen. Olemassa on myös kaatumisen ja tapaturman vaara, koska kuorma on todennäköisesti epätasapainossa.

► Kuva46

Kun kuljetusalustaa kuormataan, kiinnitä kuorma köysillä ja koukuilla.

► Kuva47

Kuorman tyhjentäminen

▲HUOMIO: Nosta kuljetusalusta tai kaukalo ylös tasaisella ja tukevalla alustalla. Käyttö epävakaa alustalla voi johtaa onnettomuuteen tai tapaturmaan.

Voit tyhjentää kuorman nostamalla tai kallistamalla kuljetusalustaa tai kaukaloa.

1. Sammuta laite ja lukitse jarrut.

HUOMAUTUS: Suosittelemme etupyörien tukemista laitteen vakauttamiseksi.

2. Vapauta lukitusvipu.

3. Seiso laitteen vieressä, pidä kahvasta yhdellä kädellä, nosta ja kallista kuljetusalusta tai kaukalo työntämällä kuljetusalustan runkoa toisella kädellä.

► Kuva48

▲HUOMIO: Pidä kahvasta ja kuljetusalustan rungosta tukevalla otteella ja seiso tukevassa asennossa.

▲HUOMIO: Pidä kuorma mahdollisimman pienenä. Jos kuorma on suuri, älä yritä nostaa kuljetusalustaa. Vähennä kuormaa ja nosta kuljetusalustaa tämän jälkeen.

▲HUOMIO: Kun kuorma on tyhjennetty, lukitse kuljetusalusta tai kaukalo.

KUNNOSSAPITO

▲HUOMIO: Pysäköi laite aina tasaiselle alustalle ja lukitse jarruvipu, ennen varastointia tai tarkastusta ja huoltoa.

▲HUOMIO: Jos takapyörät on asennettu, varmista, että ne on lukittu ennen laitteen varastointia, tarkastusta tai huoltoa.

▲HUOMIO: Varmista aina ennen varastointia, tarkastus- tai huoltotoimien aloittamista, että lukitusavain ja akku on irrotettu laitteesta.

▲HUOMIO: Poista aina lukitusavain, kun laite ei ole käytössä. Säilytä lukitusavainta turvallisessa paikassa lasten ulottumattomissa.

Määräaikaistarkastukset

• Tarkasta pulttien ja muttereiden kireys.

► Kuva49

• Tarkasta, että kuljetusalusta on lukittu lukitusvivun ollessa täysin alhaalla.

► Kuva50: 1. Kuljetusalustan lukko 2. Lukitusvipu

• Tarkasta, että jarruvipu toimii oikein.

► Kuva51: 1. Jarruvipu

▲VAROITUS: Jos jarruvipu saavuttaa kahvan sen ollessa painettuna pohjaan, jarru ei toimi oikein. Säädä jarru tai pyydä paikallista Makita-huoltokeskusta suorittamaan korjauksen.

• Tarkasta, että etupyörä ei ole viallinen tai tyhjentynyt.

Koneen puhdistus

HUOMAUTUS: Älä koskaan käytä bensiiniä, ohenteita, alkoholia tai tms. aineita. Muutoin pinta voi halkeilla tai sen värit ja muoto voivat muuttua. Muutoin laitteeseen voi tulla värjäytyymiä, muodon vääristymiä tai halkeamia.

HUOMAUTUS: Ruiskuta vettä kuljetusalustan tai kaukalon alle laitteen vesipuhdistuksen aikana. Älä puhdistu painepesurilla.

Poista laitteesta muta, lika ja vastaava. Puhdista laite vesiruiskulla. Pyyhi laite puhdistamisen jälkeen kuivalla liinalla.

Säilytys

Irrota lukitusavain. Säilytä laitetta turvallisessa paikassa lasten ulottumattomissa.

Kahvat voidaan taistaa eteenpäin laitteen varastoinnin aikana. Irrota lyhyet kuusiokantapultit ja olakepultit pakkaukseen sisältyvällä avaimella. Käännä kahvat ulospäin ja kierrä ne eteenpäin. Kiristä olakepultit ja lyhyet kuusiokantapultit kahvojen kiinnittämiseksi.

► Kuva52: 1. Olakepultti 2. Lyhyt kuusiokantapultti

HUOMAUTUS: Älä kiristä lyhyitä kuusiokantapultteja liian tiukkaan. Kiristä ne sopivan kireälle niin, että kahvat on kiinnitetty kunnolla.

HUOMAUTUS: Älä kiristä johtoja pulttien väliin.

Jarrun säätö

⚠HUOMIO: Jos takapyörät on asennettu, varmista, että ne on lukittu ennen jarrun säätämistä.

1. Irrota kuljetusalusta tai kaukalo ja avaa kuljetusalustan runko.
► **Kuva53:** 1. Kuljetusalustan runko
2. Paina jarruvipua sen lukituspainikkeen vapauttamiseksi.
► **Kuva54:** 1. Lukituspainike 2. Jarruvipu
3. Löysää säätölaippaa ja kiinnitysmutteria.
► **Kuva55:** 1. Säätölaippa 2. Kiinnitysmutteri
4. Kiristä vain kiinnitysmutteri.
► **Kuva56:** 1. Kiinnitysmutteri
5. Löysää säätölaippaa ja kiinnitysmutteria.
► **Kuva57:** 1. Säätölaippa 2. Kiinnitysmutteri
6. Kiristä vain kiinnitysmutteri.
► **Kuva58:** 1. Kiinnitysmutteri
7. Varmista, että jarruvipu on puolivälissä sen ollessa painettuna täysin sisään. Jos jarruvipu on puolivälissä, siirry kohtaan 13. Jos jarruvipu ei ole puolivälissä, siirry kohtaan 8.
► **Kuva59:** 1. Jarruvipu
8. Löysää vain kiinnitysmutteria.
► **Kuva60:** 1. Kiinnitysmutteri
9. Kiristä kiinnitysmutteri ja säätölaippa yhdessä.
► **Kuva61:** 1. Säätölaippa 2. Kiinnitysmutteri
10. Löysää vain kiinnitysmutteria.
► **Kuva62:** 1. Kiinnitysmutteri
11. Kiristä kiinnitysmutteri ja säätölaippa yhdessä.
► **Kuva63:** 1. Säätölaippa 2. Kiinnitysmutteri
12. Varmista, että jarruvipu on puolivälissä sen ollessa painettuna täysin sisään.
► **Kuva64:** 1. Jarruvipu
13. Taita kuljetusalustan runko alas ja kiinnitä kuljetusalusta tai kaukalo.
► **Kuva65:** 1. Kuljetusalustan runko

LISÄVARUSTEET

⚠HUOMIO: Seuraavia lisävarusteita tai laitteita suositellaan käytettäväksi tässä ohjeessa kuvatun Makita-työkalan kanssa. Muiden lisävarusteiden tai laitteiden käyttö voi aiheuttaa henkilövahinkoja. Käytä lisävarusteita ja -laitteita vain niiden käyttötarkoituksen mukaisesti.

Jos tarvitset apua tai yksityiskohtaisempia tietoja seuraavista lisävarusteista, ota yhteys paikalliseen Makitan huoltoon.

- Kuljetusalusta
- Kauha
- Aito Makita-akku ja -laturi

HUOMAA: Jotkin luettelossa mainitut varusteet voivat sisältyä työkalun toimitukseen vakiovarusteina. Ne voivat vaihdella maittain.

SPECIFIKĀCIJAS

Modelis:		DCU180
Izmēri (G × P × A)	Ar uzstādītu kravas kasti	Ekspluatācijas laikā: 1 560 mm × 1 060 mm × 900 mm Glabāšanas laikā: 1 110 mm × 670 mm × 820 mm
	Ar uzstādītu kravas tvertni	Ekspluatācijas laikā: 1 310 mm × 790 mm × 900 mm Glabāšanas laikā: 1 110 mm × 590 mm × 820 mm
Pārvietošanās ātrums	Uz priekšu	1,5 vai 3,5 km/h
	Uz atpakaļ	1,0 km/h
Minimālais pagriešanās rādiuss		1 075 mm (ārējais diametrs, pagriežoties ar priekšējā riteņa asi)
Maksimālā spēja pārvarēt pacēlumus		12°
Maksimālā kravnesība		130 kg
Bremzes	Priekšējais ritenis	Diska bremze ar vadu
	Aizmugures ritenis	Fiksējams ar pedāli
Riepa	Priekšējais ritenis	Bezkameru riepa
	Aizmugures ritenis	Pašlīmējoša riepa
Nominālais spriegums		18 V līdzstrāva
Standarta akumulatora kasetne		BL1815N / BL1820 / BL1820B / BL1830 / BL1830B / BL1840 / BL1840B / BL1850 / BL1850B / BL1860B
Lādētājs		DC18RC / DC18RD / DC18SD / DC18SE / DC18SF
Tīrsvars	Ar uzstādītu kravas kasti	45 kg
	Ar uzstādītu kravas tvertni	39–40 kg

- Nepārtrauktās izpētes un izstrādes programmas dēļ šeit uzrādītās specifikācijas var tikt mainītas bez brīdinājuma.
- Specifikācijas un akumulatora kasetne var atšķirties dažādās valstīs.
- Svārs var būt atšķirīgs atkarībā no papildierīces(-ēm), tostarp akumulatora kasetnes. Tabulā ir attēlota vieglākā un smagākā kombinācija atbilstoši EPTA procedūrai 01/2014.

Simboli

Zemāk ir attēloti simboli, kas attiecas uz iekārtu. Pirms darbarīka izmantošanas pārliecinieties, vai pareizi izprotat to nozīmi.



Izlasiet lietošanas rokasgrāmatu.



Tikai ES valstīm
Neizmetiet elektroiekārtas vai akumulatoru māsaimniecības atkritumos!

Saskaņā ar Eiropas direktīvu par elektrisko un elektronisko iekārtu atkritumiem, kā arī par baterijām un akumulatoriem, un bateriju un akumulatoru atkritumiem un to īstenošanu saskaņā ar valsts likumdošanu lietotais elektriskais aprīkojums, baterijas un akumulators kalpošanas laika beigās jāsavāc atsevišķi un jānogādā otrreizējai pārstrādei vidi saudzējošā veidā.



Velciet sviru uz leju līdz galam un pārbaudiet, ka kravas kaste vai tilpne ir bloķēta.



Nemainiet virzienu, atrodoties uz stāvas nogāzes.



Krāvu iekraujiet un izkraujiet, ierīcei atrodoties uz līdzenas virsmas.



Krāvu kravas kastē vai tilpnē kraujiet vienmērīgi.



Šo ierīci nedrīkst izmantot uz koplietošanas ceļiem.



Neizmantojiet cilvēku pārvadāšanai.



Neatstājiet lietū.



Lai atceltu skaņas signālu, atlaidiet slēdža mēlīti un pavelciet bremzes sviru.

Paredzētā lietošana

Ierīce ir paredzēta kravas iekraušanai un pārvadāšanai.

EK atbilstības deklarācija

Tikai Eiropas valstīm

EK atbilstības deklarācija šajā lietošanas rokasgrāmatā ir iekļauta kā A pielikums.

DROŠĪBAS BRĪDINĀJUMI

Vispārīgi elektrisko darbarīku drošības brīdinājumi

▲BRĪDINĀJUMS: Izlasiet visus drošības brīdinājumus, instrukcijas, apskatiet ilustrācijas un tehniskos datus, kas iekļauti mehānizētā darbarīka komplektācijā. Ja netiek ievēroti visi tālāk minētie noteikumi, var tikt izraisīta elektrotrauma, notikt aizdegšanās un/vai rasties smagas traumas.

Glabājiet visus brīdinājumus un norādījumus, lai varētu tajos ieskatīties turpmāk.

Termins „elektrisks darbarīks” brīdinājumos attiecas uz tādu elektrisko darbarīku, ko darbina ar elektrību (ar vadu), vai tādu, ko darbina ar akumulatoru (bez vada).

Ar akumulatoru darbināmas ķerrās drošības brīdinājumi

- Šo ierīci nedrīkst izmantot uz koplietošanas ceļiem.
- Strādājot ar ierīci, vienmēr valkājiet neslīdošus aizsargapavus. Pret slīdēšanu nodrošināti aizsargzābaki un aizsargkurpes ar slēgtu purngalu samazinās traumu risku.
- Pirms priekšmetu vai materiālu pārvadāšanas pārbaudiet pārvadāšanas ceļu. Ceļa pārzināšana un pārliecība, ka tas ir pietiekami plats, lai droši virzītu ierīci ar kravu, palīdzēs samazināt iespēju, ka tiek zaudēta kontrole pār ierīci.
- Īpaši uzmanieties, ja virzāt ierīci slidenā, irdenā un nelīdzenā apvidū. Pārvietojoties pa mitrām un slidenām virsmām, piemēram, slapjā zālē, sniegā vai uz ledus, un irdenā un nelīdzenā apvidū, piemēram, pa smiltis un grants segumiem, ierīce var zaudēt vilkšanas spēku un nelabvēlīgi ietekmēt stūrēšanu, bremzēšanu un stabilitāti.
- Nedarbiniet ierīci pārāk stāvās nogāzēs. Tādējādi jūs samazināsiet risku zaudēt kontroli, paslīdēt un pakrist, kas varētu radīt traumas. Nogāzes, kuru slīpums ir lielāks par maksimālo ieteikto, un slīpas ceļa malas var nelabvēlīgi ietekmēt spēju droši apstāties.
- Strādājot uz nogāzēm, vienmēr nodrošiniet kāju atbalstu, vienmēr strādājiet šķērsvirzienā nogāzes slīpumam, bet nekād virzienā uz leju vai uz augšu, un ievērojiet īpašu piesardzību, mainot virzienu. Tādējādi jūs samazināsiet risku zaudēt kontroli, paslīdēt un pakrist, kas varētu radīt traumas.
- Kad vien iespējams, izmantojiet līdzenus laukumus, lai apstātos, iekrautu un izkrautu kravu, un nekādā gadījumā neatstājiet ierīci uz nogāzes bez uzraudzības. Atrodoties miera stāvoklī, ierīce uz nogāzes ir nestabilāka nekā uz līdzenas virsmas.
- Apstājoties uz nogāzes, pagrieziet ierīci virzienā uz augšu vai uz leju un nobloķējiet tos riteņus, kuriem nav bremžu. Ierīce ir nestabilāka, ja ir pagriezta šķērsām nogāzei. Iespējams, riteņi, kuriem nav bremžu, it īpaši pasīvie riteņi, var pagriezties un rīpot lejup – pat tad, ja ir uzstādīta priekšējā riteņa bremze.
- Atstājot ierīci bez uzraudzības, novietojiet to drošas apstāšanās zonā un uzstādiet ilgstošas apstāšanās bremzi. Ilgstošas apstāšanās bremze novērš nevēlamas priekšējā riteņa kustības un var uzlabot stabilitāti.
- Pārliecinieties, ka platformas ir tīras, izturīgas un drošas. Lai samazinātu traumu risku, uz platformām nedrīkst atrasties irideni grauzi, un tām jābūt pietiekami izturīgām, lai izturētu pa tām pārvietojamo kravu smagumu. Platformu apakšpusei un abām malām jābūt atbilstoši bloķētām, lai novērstu to izliekšanos un svārstīšanos no kravas smaguma. Platformām jābūt pietiekami platām, lai, virzot pār tām kravu, tiktu nodrošināts pietiekams atbalsts kājam.
- Paplašinot platformas pār atklātiem laukumiem, aprīkojiet tās ar sānu latām vai margām. Platformas, kas atrodas virs atklātiem laukumiem un atklātiem grāvjiem, var būt par iemeslu nejausiem kritieniem un paaugstina smagu traumu iespējamību. Lai novērstu ierīces virzīšanos pāri platformas malām, aprīkojiet tās ar sānu latām vai margām.
- Pirms lietošanas pārliecinieties, ka visas fiksācijas skrūves ir cieši pievilktas. Aizmugures riteņu un atklātā tipa kravas kastes priekšējās malas un sānu malu fiksācijas skrūvēm jābūt pievilktām, lai novērstu šo ierīces regulējamo daļu nevēlamu kustēšanos.
- Nekādā gadījumā nedarbiniet ierīci, ja tā ir pārslogota. Pārliecinieties, ka ierīcei ir noteikts atbilstošs krāvnēsības vērtējums tiem priekšmetiem vai materiāliem, kuri jāpārvadā. Ja ir pārmērīga slodze, ierīci ir grūtāk manevrēt un apturēt, palielinās apturēšanas laiks un attālums un paaugstinās nestabilitātes risks.
- Nekādā gadījumā nedarbiniet ierīci, ja tā ir pārkrauta. Kraujot materiālus virs kravas nodalījuma malas vai pāri tai, ierīce var nekontrolējami zaudēt līdzsvaru un vadāmību.
- Kravu nostiprināšanai izmantojiet konteinerus un stiprinājuma atsaites. Valītas un/vai nenostiprinātas kravas var sasvērties un zaudēt stabilitāti un kontroli.
- Ierīces rokturus vienmēr turiet stingri satvertus. Kontroles zaudēšana var palielināt traumu risku.
- Ja ierīce netiek lietota, izņemiet drošības slēgu. Drošības slēgs nepieļauj nevēlamu ierīces lietošanu, lietojot spēku, ko varētu izdarīt, piemēram, bērni vai citas neapmācītas vai nepiederošas personas. Bez slēga nav iespējams „ieslēgt” strāvas padevi.

18. Kad iekraujat vai izkraujat šo mašīnu pirms vai pēc pārvadāšanas vai pārvietojat to starp stāviem, vienmēr izmantojiet izturīgu pretslīdes plāksni, kuru var piestiprināt pie pamatnes. Plāksnes novietojuma leņķis nedrīkst pārsniegt 12°, un mašīna pa to jāpārvieto lēnām. Pārvietojoties nestabili vai pārlieku ātri, mašīna var apgāzties un/vai nokrist.
19. Neizjauciet, neremontējiet un nepārveidojiet šo mašīnu.

Ekspluatācija

1. Darbinot ierīci, stāviet aiz tās un cieši satveriet rokturus.
2. Nedarbiniet ierīci, braucot ar to.
3. Neļaujiet citiem braukt ar ierīci.
4. Darbinot ierīci atpakaļgaitā un ejot at muguriski, vērojiet ceļu aiz sevis un uzmanieties, lai nepaslidētu vai nepakļuptu.
5. Nelietojiet ierīci sliktas redzamības apstākļos, jo tad pastāv risks uzduroties šķēršļiem.
6. Darbinot ierīci uz nelīdzena ceļa, samaziniet ātrumu un esiet piesardzīgs.
7. Lietojot ierīci, izvairieties no mīksta augsnas, lai novērstu apgāšanos, kas var notikt ceļa malas nosēšanās dēļ.
8. Nedarbiniet ierīci augšup pa nogāzēm, kuru slīpums pārsniedz 12°.
9. Ja pamanāt izmaiņas ierīces darbībā, apturiet to uz plakanas virsmas. Pirms ierīces pārbaušanas pavelciet bremzes sviru un nofiksējiet bremzi, un pēc tam izslēdziet strāvas padevi.
10. Pirms ierīces darbināšanas pārliecinieties, ka bloķēšanas svira ir pilnībā novilkta uz leju un ir pilnībā bloķēta. Ja bloķēšana ir nepilnīga, iespējams negadījumu vai traumu risks, jo kravas kastē vai tilpnē var sasvērties un krava var no tās izkrist.
11. Uzmanieties, lai vadi nesapinas ar kravu vai šķēršļiem.

Ekspluatācija uz nogāzēm

1. Nešķērsojiet nogāzes.
2. Neaizmirstiet samazināt ātrumu un esiet piesardzīgs.
3. Iedarbinot un apturot ierīci uz nogāzēm, esiet piesardzīgs.
4. Tā kā uz nogāzēm krava kļūst nestabilāka, cieši nostipriniet kravu ar virvēm.
5. Atkarībā no ceļa stāvokļa ierīce kļūst nestabilāka, tādēļ ierobežojiet kravas apjomu līdz minimumam.
6. Nogāzēs skata lauks ir ierobežots, tādēļ ierobežojiet kravas augstumu līdz minimumam.
7. Nekādā gadījumā nenovietojiet ierīci stāvēšanai uz stāvam nogāzēm. Novietojiet ierīci stāvēšanai uz līdzenas virsmas, pavelciet bremzes sviru un nofiksējiet bremzi, un pēc tam izslēdziet strāvas padevi.
8. Nemainiet virzienu vai ātruma režīmu, atrodoties uz stāvas nogāzes.
9. Braucot augšup pa nogāzi, neatlaidiet slēdža mēlīti. Ierīce var sākt braukt atpakaļgaitā un izraisīt negadījumu.

10. Pirms sākat darbināt ķerru uz nogāzes, pārliecinieties, ka ir pietiekama atlikusī akumulatora jauda. Ja atlikusī akumulatora jauda nav pietiekama, uzlādējiet akumulatoru vai nomainiet to ar jau uzlādētu akumulatoru.

Kravas iekraušana

1. Nekraujiet pārmērīgi lielu kravu. Iekraujot kravu, ievērojiet rokasgrāmatā sniegtos norādījumus un slodžu ierobežojumus.
2. Kravu cieši nostipriniet ar virvēm.
3. Kraujiet kravu tieši kravas kastē vai tilpnē. Ja krava ir izvirzās ārpus kravas kastes vai tilpnes, iespējams negadījumu risks, kravai nokrītot vai saduroties ar šķēršļiem, piemēram, sienām.
4. Pārliecinieties, ka iekrautā krava atrodas zemāk par acu augstumu. Pārāk augsta krava ir bīstama, jo tā aizsedz skata lauku. Tā kā krava, visticamāk, nav līdzsvarota, iespējams arī apgāšanās un traumu risks.
5. Kravu kravas kastē vai tilpnē kraujiet vienmērīgi. Ja krava ir sakrauta nevienmērīgi, krava, visticamāk, nav līdzsvarota, un pastāv apgāšanās un traumu risks.
6. Pirms kravas iekraušanas vai ierīces darbināšanas pārliecinieties, ka bloķēšanas svira ir pilnīgi novilkta uz leju un pilnībā nofiksēta.
7. Lai saglabātu līdzsvaru, vispirms kraujiet smagus priekšmetus.
8. Pārvadājot kravu uz stāvas nogāzes, nepagariniet priekšējos vai sānu režģus. Sānu režģus pagariniet tikai tad, ja tiek iekrauti viegli priekšmeti.
9. Pagarinot priekšējos un sānu režģus, nepagariniet tos vairāk nekā to pieļauj pagarināšanas ierobežojums. Pagarinot sānu malas, pārliecinieties, ka labā un kreisā puse ir vienādā garumā, un kraujiet kravu vienmērīgi.
10. Kravu iekraujiet un izkraujiet, ierīcei atrodoties uz līdzenas virsas.
11. Paceļot un pieliecot kravas kasti vai tilpni, cieši satveriet rokturus un rāmi un strādājiet, stāvot stabilā pozā.

Apkope

1. Pirms ierīces uzglabāšanas vai arī pārbaudes vai apkopes sāksanas vienmēr nodrošiniet, ka ierīce atrodas uz līdzenas virsmas, un bloķējiet bremzes sviru.

SAGLABĀJIET ŠOS NORĀDĪJUMUS.

▲BRĪDINĀJUMS: NEPIEĻAUJIET to, ka labu iemaņu vai izstrādājuma labas pārzināšanas (darbarīku atkārtoti ekspluatējot) rezultātā vairs stingri neievērojot šī izstrādājuma drošības noteikumus. NEPAREIZI LIETOJOT darbarīku vai neievērojot šajā instrukcijā rokasgrāmatā minētos drošības noteikumus, var tikt gūtas smagas traumas.

Svarīgi drošības norādījumi par akumulatora kasetni

1. Pirms akumulatora lietošanas izlasiet visus norādījumus un brīdinājumus, kuri attiecas uz (1) akumulatora lādētāju, (2) akumulatoru un (3) ierīci, kurā tiek izmantots akumulators.
2. Neizjauciet akumulatoru.
3. Ja akumulatora darbības laiks kļūva ievērojami īsāks, nekavējoties pārtrauciet to izmantot. Citādi, tas var izraisīt pārkarsējumu, uzliesmojumu vai pat sprādzienu.
4. Ja elektrolīts nonāk acīs, izskalojiet tās ar tīru ūdens un nekavējoties griezieties pie ārsta. Tas var izraisīt redzes zaudēšanu.
5. Neradiet īssavienojumu akumulatora kasetnē:
 - (1) Nepieskarieties spailēm ar elektrību vadošiem materiāliem.
 - (2) Neuzglabājiet akumulatoru kasetni kopā ar citiem metāla priekšmetiem, tādiem kā naglas, monētas u. c.
 - (3) Nepakļaujiet akumulatora kasetni ūdens vai lietus iedarbībai.
6. Neglabājiet darbarīku un akumulatora kasetni vietās, kur temperatūra var sasniegt vai pārsniegt 50 °C (122 °F).
7. Nededziniet akumulatora kasetni, pat ja tā ir stipri bojāta vai pilnībā nolietota. Akumulatora kasetne uguni var eksplodēt.
8. Uzmanieties, lai neļautu akumulatoram nokrist un nepakļautu to sitienam.
9. Neizmantojiet bojātu akumulatoru.
10. Uz izmantotajiem lītija jonu akumulatoriem attiecas likumdošanas prasības par bīstamiem izstrādājumiem.

Komerציālā transportēšanā, ko veic, piemēram, trešās puses, transporta uzņēmumi, jāievēro uz iesaiņojuma un marķējuma norādītās īpašās prasības.

Lai izstrādājumu sagatavotu nosūtīšanai, jāpasaziņās ar bīstamo materiālu speciālistu. Ievērojiet arī citus attiecināmos valsts normatīvus.

Vajējus kontaktus nosedziet ar līmlenti vai citādi pārklājiet, bet akumulatoru iesaiņojiet tā, lai sainī tas nevarētu izkustēties.

11. Ievērojiet vietējos noteikumus par akumulatora likvidēšanu.

SAGLABĀJIET ŠOS NORĀDĪJUMUS.

⚠UZMANĪBU: Lietojiet tikai oriģinālos Makita akumulatorus. Ja lietojat neoriģinālus Makita akumulatorus vai pārveidotus akumulatorus, tie var uzsprāgt un izraisīt aizdegšanos, traumas un materiālos zaudējumus. Tīks anulēta arī Makita darbarīka un lādētāja garantija.

Ieteikumi akumulatora kalpošanas laika pagarināšanai

1. Uzlādējiet akumulatora kasetni, pirms tā ir pilnībā izlādējusies. Vienmēr, kad ievērojiet, ka darbarīka darba jauda zudusi, apturiet darbarīku un uzlādējiet akumulatora kasetni.
2. Nekad neuzlādējiet pilnībā uzlādētu akumulatora kasetni. Pārmērīga uzlāde saīsina akumulatora kalpošanas laiku.
3. Uzlādējiet akumulatora kasetni istabas temperatūrā 10 °C - 40 °C. Karstai akumulatora kasetnei pirms uzlādes ļaujiet atdzist.
4. Uzlādējiet lītija jonu akumulatora kasetni, ja to ilgstoši nelietosit (vairāk nekā sešus mēnešus).

DETAĻU APRAKSTS

Detalju apraksts (ar uzstādītu kravas kasti)

► Att.1

1.	Vadības bloks	2.	Rokturis
3.	Slēdža mēlīte	4.	Akumulatoru kaste
5.	Priekšējā riteņa bremzes svira	6.	Aizmugures ritenis
7.	Aizmugures riteņa bremzes pedālis	8.	Lampa
9.	Priekšējais ritenis	10.	Kravas kaste

Daļu apraksts (ar uzstādītu kravas tilpni)

► Att.2

1.	Vadības bloks	2.	Rokturis
3.	Slēdža mēlīte	4.	Akumulatoru kaste
5.	Priekšējā riteņa bremzes svira	6.	Aizmugures ritenis
7.	Aizmugures riteņa bremzes pedālis	8.	Lampa
9.	Priekšējais ritenis	10.	Kravas tilpne

MONTĀŽA

⚠UZMANĪBU: Pirms ierīces regulēšanas vai apkopes vienmēr pārliecinieties, ka ierīce ir izslēgta un akumulatora kasetne ir izņemta.

Galvenā bloka montāža

1. Izņemiet no kastes pamatnes bloku un rokturus.

► Att.3

IEVĒRĪBAI: Pamatnes bloku un rokturus noteikti izņemiet kopā, lai vadiem netiktu pielietots pārmērīgs spēks.

2. Novietojiet iepakojumu zem pamatnes bloka aizmugures.

► **Att.4:** 1. Iepakojums

3. Rāmī ievietojiet aizmugures riteņus.

► **Att.5:** 1. Aizmugures ritenis

► **Att.6:** 1. Aizmugures ritenis

PIEZĪME: Aizmugures riteņu vietā var ievietot balsta kājas.

4. Uz īsās sešstūra skrūves uzlieciet atspERPaplāksni un paplāksni un pievelciet tās ar komplektā iekļauto uzgriežņu atslēgu.

► **Att.7:** 1. Īsā sešstūra skrūve 2. AtspERPaplāksne 3. Starplika

► **Att.8**

IEVĒRĪBAI: Aizmugures riteņu pievilksanai noteikti izmantojiet īsās sešstūra skrūves.

IEVĒRĪBAI: Nofiksējiet aizmugures riteņus abās pusēs vienādā stāvoklī.

5. Paceliet uz augšu rokturus un ievietojiet pamatnes blokā.

► **Att.9**

IEVĒRĪBAI: Neļaujiet vadiem atrasties attēlā norādītajā „A” zonā. Garī priekšmeti var savīties ar vadiem un izraisīt nelaimes gadījumus.

IEVĒRĪBAI: Rokturus neceliet un neievietojiet ar pārmērīgu spēku.

IEVĒRĪBAI: Rokturus noteikti celiet ar abām rokām.

6. Atveriet kravas kastes rāmi virzienā uz priekšpusi.

► **Att.10:** 1. Kravas kastes rāmis

7. Atlieciet rokturus, ievietojiet garās sešstūra skrūves pamatnes blokā un ar komplektā iekļauto uzgriežņu atslēgu pievelciet uzgriežņus.

► **Att.11:** 1. Garā sešstūra skrūve

8. No aizmugures pievelciet skrūves ar apcilni, izmantojot komplektā iekļauto uzgriežņu atslēgu.

► **Att.12:** 1. Skrūve ar apcilni

9. Lai nostiprinātu rokturus, no abām pusēm pievelciet īsās sešstūra skrūves, izmantojot komplektā iekļauto uzgriežņu atslēgu.

► **Att.13:** 1. Īsā sešstūra skrūve

IEVĒRĪBAI: Nepievelciet īsās sešstūra skrūves ar pārmērīgu spēku. Pievelciet tās ar piemērotu spēku, nodrošinot, ka rokturi ir stabili nostiprināti.

IEVĒRĪBAI: Neiespiediet vadus ar skrūvēm.

10. Nostipriniet vadus ar skavām.

► **Att.14:** 1. Skava

11. Salokiet kravas kastes rāmi.

► **Att.15:** 1. Kravas kastes rāmis

12. Lai bloķētu bremzes, piespiediet bloķēšanas pogu, vienlaikus piespiežot bremzes sviru.

► **Att.16:** 1. Bloķēšanas poga 2. Bremzes svira

UZMANĪBU: Kad aizmugures riteņi ir uzstādīti, piespiediet aizmugures riteņa bremzes pedāli, lai bloķētu aizmugures riteņi.

13. Aizāķējiet kravas kastes fiksatoru un pēc tam velciet fiksatora sviru uz leju, nofiksējot kravas kasti.

► **Att.17:** 1. Kravas kastes fiksators 2. Bloķēšanas svira

IEVĒRĪBAI: Pārbaudiet, vai bloķēšanas svira ir droši nostiprināta.

IEVĒRĪBAI: Neiespiediet vadus ar bloķēšanas sviru.

PIEZĪME: Ja jāievieto balsta kājas, nevis aizmugurējie riteņi, izņemiet aizmugurējos riteņus no rāmjiem un pēc tam piestipriniet rāmjiem balsta kājas.

► **Att.18:** 1. Aizmugures ritenis 2. Balsta kāja

Kravas kastes montāža un uzstādīšana

Papildpiederums

1. Izņemiet no iepakojuma kastes kravas kasti, piestipriniet pamata rāmim priekšējo režģi un sānu režģus un pēc tam pievelciet ar roku skrūvējamās uzgriežņus, lai nostiprinātu režģus.

► **Att.19:** 1. Ar roku skrūvējams uzgrieznis

2. Ievietojiet kravas kasti pamatnes blokā un pēc tam rāmī no augšpusē ievietojiet sešstūra skrūves un paplāksnes. Lai nostiprinātu kravas kasti, no apakšpusē pievelciet paplāksnes un atspERPaplāksnes un spārnuzgriežņus.

► **Att.20:** 1. Garā sešstūra skrūve 2. Īsā sešstūra skrūve 3. Starplika 4. AtspERPaplāksne 5. Spārnuzgrieznis

IEVĒRĪBAI: Priekšējai daļai lietojiet garās skrūves, bet aizmugures daļai – īsās skrūves.

Kravas tilpnes uzstādīšana

Papildpiederums

Lai piestiprinātu kravas tilpni, novietojiet to uz pamatnes bloka, ievietojiet rāmjos sešstūra skrūves un pēc tam no apakšpusē pievelciet paplāksnes, atspERPaplāksnes un spārnuzgriežņus.

► **Att.21:** 1. Sešstūra skrūve 2. Starplika 3. AtspERPaplāksne 4. Spārnuzgrieznis

FUNKCIJU APRAKSTS

Akumulatora kasetnes uzstādīšana un izņemšana

⚠UZMANĪBU: Pirms akumulatora kasetnes uzstādīšanas vai noņemšanas vienmēr izslēdziet ierīci.

⚠UZMANĪBU: Pirms lietošanas pārbaudiet, vai akumulatora vāks ir bloķēts. Citādi dubļi, netīrumi vai ūdens var izraisīt izstrādājuma vai akumulatora kasetnes bojājumus.

⚠UZMANĪBU: Akumulatora kasetni vienmēr ievietojiet pilnībā, lai nav redzams sarkanās krāsas indikators. Citādi akumulators var nejauši izkrist no ierīces un radīt jums vai apkārtējiem traumas.

⚠UZMANĪBU: Neievietojiet akumulatora kasetni ar spēku. Ja kasetne neslīd ietvarā viegli, tā nav pareizi ielikta.

⚠UZMANĪBU: Nelietojiet karstu akumulatora kasetni. Lietojot karstu akumulatora kasetni, ierīce automātiski apstājas vēl pirms tiek atskaņots īss skaņas signāls un var izraisīt traumas.

Akumulatora kasetnes uzstādīšana

1. Pagrieziet bloķēšanas sviru un atveriet akumulatoru kastes vāciņu.

▶ **Att.22:** 1. Bloķēšanas svira 2. Vāciņš

2. Saskaņojiet akumulatora kasetnes mēlīti ar akumulatoru kastes atveri un bīdiet kasetni, līdz tā ar nelielu klikšķi nofiksējas vietā. Ja pogas augšējā daļā redzams sarkanās krāsas indikators, tas nozīmē, ka akumulatora kasetne nav pilnībā fiksēta.

▶ **Att.23:** 1. Akumulatora kasetne

3. Bloķēšanas atslēgu ievietojiet attēlā redzamajā vietā līdz galam.

▶ **Att.24:** 1. Bloķēšanas atslēga

PIEZĪME: Ja atslēga nav pilnībā ievietota, ierīce nedarbojas.

4. Aizveriet akumulatoru kastes vāku un pagrieziet bloķēšanas sviru.

▶ **Att.25:** 1. Bloķēšanas svira 2. Vāciņš

Akumulatora kasetnes izņemšana

1. Pagrieziet bloķēšanas sviru un atveriet akumulatoru kastes vāciņu.

2. Pēc tam izvelciet akumulatora kasetni no akumulatoru kastes, vienlaikus bīdot kasetnes priekšpusē esošo pogu.

▶ **Att.26:** 1. Poga

3. Izvelciet bloķēšanas atslēgu.

4. Aizveriet akumulatoru kastes vāku un pagrieziet bloķēšanas sviru.

Ierīces/akumulatora aizsardzības sistēma

Ierīce ir aprīkota ar ierīces/akumulatora aizsardzības sistēmu. Šī sistēma automātiski izslēdz motora barošanu, tādējādi pagarinot ierīces un akumulatora darbūžu.

Ja lietošanas laikā uz ierīci vai akumulatora kasetni iedarbosies kāds no tālāk minētajiem apstākļiem, ierīce automātiski pārstās darboties. Pirms ierīce automātiski apstājas, tiek atskaņots īss signāls. Signāla atskaņas laikā mirgo akumulatora indikatori un LED indikatori.

Aizsardzība pret pārslodzi

Ja ierīces lietošanas laikā tiek patērēts pārmērīgi liels strāvas daudzums, ierīce automātiski pārstāj darboties bez iepriekšējas norādes. Šādā gadījumā izslēdziet ierīci, noņemiet pārslodzes izraisītāju un pēc tam atkal ieslēdziet ierīci.

Aizsardzība pret pārkaršanu

Ja ierīce ir pārkarusi, tā automātiski apstājas. Pirms atkārtotas ieslēgšanas ļaujiet ierīcei atdzist. Vidē ar augstu temperatūru var ieslēgties pārkaršanas aizsardzība.

Aizsardzība pret akumulatora pārmērīgu izlādi

Ja ir zema atlikušā akumulatora jauda, ierīce automātiski pārstāj darboties. Ja ierīce nedarbojas, pat ieslēdzot slēdzus, izņemiet no darbarīka akumulatora kasetni un veiciet tā uzlādi.

Akumulatora kasetnes pārslēgšana

▶ **Att.27:** 1. Akumulatoru atlasē slēdzis

Lai arī ierīce darbības laikā izmanto tikai vienu akumulatoru, akumulatoru kastē var uzstādīt līdz divām akumulatora kasetnēm. Pirms ierīces iedarbināšanas atlasiet darbam izmantojamo akumulatora kasetni, piespiežot ciparu uz akumulatoru atlasē slēdža.

IEVĒRĪBAI: Ja akumulatoru kastē ir uzstādīta tikai viena akumulatora kasetne, noteikti atlasiet to akumulatoru kasti, kurā ir uzstādīta akumulatora kasetne.

Atlikušās akumulatora jaudas norādīšana uz akumulatoru kastes

⚠UZMANĪBU: Pirms atlikušās akumulatora jaudas pārbaudes vai akumulatora kasetnes pārslēgšanas noteikti apstādiniet ierīci.

▶ **Att.28:** 1. Akumulatora indikators 2. Pārbaudes poga

Nospiediet pārbaudes pogu, lai pārbaudītu akumulatora atlikušo jaudu. Akumulatora indikatori atbilst katram akumulatoram.

Akumulatora indikatora stāvoklis		Atlikusī akumulatora jauda
ieslēgts	izslēgts	
		50% - 100%
		20% - 50%
		0% - 20%
		Nav uzstādīts akumulators

⚠UZMANĪBU: Ja atlikusī akumulatora jauda ir zema, tiek atskaņots īss signāls. Ja turpināt darbināt ierīci ar zemu atlikušo akumulatora jaudu, tiek atskaņots garš signāls un ierīce automātiski apstājas. Ja dzirdat īsu signālu, pavelciet bremzes sviru un nobloķējiet bremzes, un pēc tam pārslēdziet akumulatora kasetni uz uzlādētu kasetni vai uzlādējiet akumulatora kasetni. Ja atlikusī akumulatora jauda beidzas, ierīce pēkšņi apstājas un tādējādi var radīt traumas.

PIEZĪME: Ja turpināt spiest slēdža mēlīti arī tad, ja dzirdat īso signālu, ierīce automātiski apstājas. Pēc tam, kad ierīce automātiski apstājas, signāls turpina skanēt un tiek ieslēgtas palīgbremze (elektriskā bremze). Lai atceltu skaņas signālu un atlaistu palīgbremzi, pavelciet bremzes sviru un atlaidiet slēdža mēlīti. Nestumjiet ierīci ar spēku, ja nav atlaistas palīgbremzes. Pēc palīgbremzes atlaišanas pārbaudiet akumulatora indikatora statusu, varat noteikt, kura akumulatora aizsargsistēma darbojas.

► **Att.29:** 1. Deg 2. Mirgo 3. Izslēgta 4. Aizsardzība pret pārkaršanu 5. Aizsardzība pret akumulatora pārmērīgu izlādi 6. Aizsardzība pret pārslodzi

⚠UZMANĪBU: Ja signāls tiek atskaņots, ierīcei darbojoties uz nogāzes, vai ierīce automātiski apstājas uz nogāzes, pārvietojiet ierīci drošā vietā, nobloķējiet bremzes un pārslēdziet akumulatora kasetni uz uzlādētu vai uzlādējiet akumulatora kasetni.

Ja krava ir pārāk liela, un signāls tiek atskaņots, ierīcei darbojoties uz nogāzes, vai ierīce automātiski apstājas uz nogāzes, nepārvietojiet ierīci ar fizisku spēku. Nobloķējiet bremzes, parūpējieties par drošību un pārslēdziet akumulatora kasetni uz uzlādētu un pārvietojiet ierīci drošā vietā. Pirms atkal ieslēdziet ierīci, samaziniet slodzi.

PIEZĪME: Atlikušo akumulatora jaudu var pārbaudīt arī tad, ja atslēga nav ievietota.

Atlikušās akumulatora jaudas indikators

Tikai akumulatora kasetnēm ar indikatoru

► **Att.30:** 1. Indikatora lampas 2. Pārbaudes poga

Nospiediet akumulatora kasetnes pārbaudes pogu, lai pārbaudītu akumulatora atlikušo uzlādes līmeni. Indikatoru iedegsies uz dažām sekundēm.

Indikatora lampas			Atlikusī jauda
lededzies	izslēgts	Mirgo	
			No 75% līdz 100%
			No 50% līdz 75%
			No 25% līdz 50%
			No 0% līdz 25%
			Uzlādējiet akumulatoru.
			Iespējama akumulatora kļūme.

PIEZĪME: Reālā jauda var nedaudz atšķirties no norādītās atkarībā no lietošanas apstākļiem un apkārtējās temperatūras.

Vadības bloks

► **Att.31:** 1. Ieslēgšanas/izslēgšanas poga 2. Uz priekšu/atpakaļgaitas poga 3. Ātruma poga

Lai ieslēgtu ierīci, uz dažām sekundēm nospiediet ieslēgšanas/izslēgšanas pogu. Nospiediet uz priekšu/atpakaļgaitas pogu, lai pārslēgtu režīmus no priekšgaitas atpakaļgaitā un pretēji. Nospiediet ātruma pogu, lai pārslēgtu ātrumu starp mazu un lielu ātrumu. Ieslēdzot ierīci, tiek iestatīta kustība uz priekšu un mazs ātrums. Lai izslēgtu ierīci, uz dažām sekundēm nospiediet ieslēgšanas/izslēgšanas pogu.

PIEZĪME: Nospiežot slēdža mēlīti, nav pieejama kustības uz priekšu/atpakaļgaitas poga.

PIEZĪME: Darbinot ierīci atpakaļgaitā, tiek atskaņots īss signāls.

PIEZĪME: Darbinot ierīci atpakaļgaitā, nav pieejama ātruma poga.

Slēdža un bremžu darbība

⚠BRĪDINĀJUMS: Pirms akumulatora kasetnes uzstādīšanas ierīcē vienmēr pārbaudiet, vai slēdža mēlīte darbojas pareizi un pēc atlaišanas atgriežas „OFF” (izslēgts) stāvoklī.

Lai ieslēgtu ierīci, piespiediet slēdža mēlīti. Lai apturētu ierīci, atlaidiet slēdža mēlīti un pavelciet bremzes sviru. Lai nobloķētu bremzes sviru, piespiediet bloķēšanas pogu, vienlaikus pavelkot bremzes sviru. Lai atlaistu bloķēšanu, pavelciet bremzes sviru.

► **Att.32:** 1. Slēdža mēlīte

► **Att.33:** 1. Bloķēšanas poga 2. Bremzes svira

Aizmugures riteņa bremze

Kreisās puses aizmugures ritenis ir aprīkots ar bremzi. Lai bloķētu bremzi, piespiediet uz priekšu bremzes pedāli. Lai atlaistu bremzi, spiediet bremzes pedāli atpakaļ.

► **Att.34:** 1. Pedālis

Priekšējo lukturu ieslēgšana

Lai ieslēgtu lukturus, piespiediet lukturu pogu uz akumulatoru kastes. Lai izslēgtu lukturus, vēlreiz piespiediet lukturu pogu.

► **Att.35:** 1. Lukturu poga 2. Lampa

PIEZĪME: Ja ierīci atstāj bez darbības 10 minūtes, lukturi izslēdzas.

PIEZĪME: Izslēdzot ierīci, izslēdzas arī lukturi.

PIEZĪME: Lukturus var ieslēgt arī tad, ja nav ievietota atslēga.

Rokturu augstuma noregulēšana

Ar komplektā iekļauto uzgriežņu atslēgu atskrūvējiet īsās sešstūra skrūves un skrūves ar apcilni, un noregulējiet rokturu augstumu. Rokturu augstumu var noregulēt trīs līmeņos. Lai nofiksētu rokturi, pievelciet skrūves ar apcilni un īsās sešstūra skrūves.

► **Att.36:** 1. Īsā sešstūra skrūve 2. Skrūve ar apcilni

IEVĒRĪBAI: Nofiksējiet kreiso un labo rokturi vienā augstumā.

IEVĒRĪBAI: Nepievelciet īsās sešstūra skrūves ar pārmērīgu spēku. Pievelciet tās ar piemērotu spēku, nodrošinot, ka rokturi ir stabili nostiprināti.

IEVĒRĪBAI: Neiespiediet vadus ar skrūvēm.

Aizmugures riteņu platuma noregulēšana

Ar komplektā iekļauto uzgriežņu atslēgu atskrūvējiet īsās sešstūra skrūves un bīdīet aizmugures riteņus.

► **Att.37:** 1. Aizmugures ritenis

Lai nofiksētu riteņus, pievelciet īsās sešstūra skrūves, izmantojot komplektā iekļauto uzgriežņu atslēgu.

► **Att.38:** 1. Īsā sešstūra skrūve

UZMANĪBU: Lai saglabātu līdzsvaru, noregulējiet aizmugures riteņus līdz maksimālajam platumam. Ja aizmugures riteņi nav noregulēti maksimālajā platumā, saglabājiet minimālu slodzi.

IEVĒRĪBAI: Nofiksējiet aizmugures riteņus abās pusēs vienādā stāvoklī.

Kravas kastes platuma noregulēšana

Atskrūvējiet sešus ar roku skrūvējamus uzgriežņus un pēc tam atbīdīet priekšējo režģi un sānu režģus. Pievelciet sešus ar roku skrūvējamus uzgriežņus, nofiksējot priekšējo režģi un sānu režģus.

► **Att.39:** 1. Ar roku skrūvējams uzgrieznis 2. Režģis

UZMANĪBU: Nebīdīet režģus pāri robežas atzīmei.

► **Att.40**

EKSPLUATĀCIJA

Ierīces ekspluatācija

IEVĒRĪBAI: Šīs ierīces priekšējo riteņi darbina akumulatora jauda. Lietojiet šo ierīci, lai palīdzētu veikt pārvadāšanas darbības.

IEVĒRĪBAI: Pirms ekspluatācijas sākuma ievietojiet atslēgu akumulatora kastes atverē. Ja atslēga nav ievietota, tad, piespiežot slēdža mēlīti, atskan īss signāls. Skaņas signālu var apturēt, atlaidot slēdža mēlīti un pavelkot bremzes sviru.

1. Atlasiet akumulatora kasetni, izmantojot akumulatoru atlases slēdzi.
2. Lai ieslēgtu ierīci, uz dažām sekundēm piespiediet vadības bloka ieslēgšanas/izslēgšanas pogu.
3. Paveļciet bremzes sviru, lai atlaistu bremzes sviras bloķētāju.

► **Att.41:** 1. Ieslēgšanas/izslēgšanas poga

► **Att.42:** 1. Bloķēšanas poga 2. Bremzes svira

PIEZĪME: Ja ir uzstādīti aizmugures riteņi, atlaidiet aizmugures riteņa bremzi.

4. Turiet rokturus stingri ar abām rokām.

► **Att.43**

5. Nospiediet slēdža mēlīti.

► **Att.44:** 1. Slēdža mēlīte

Kravas iekraušana

UZMANĪBU: Pirms kravas iekraušanas ierīcē pārliecinieties, ka ir izslēgta barošana un bloķēta bremzes svira.

UZMANĪBU: Ja ir uzstādīti aizmugures riteņi, pirms kravas iekraušanas ierīcē pārliecinieties, ka ir bloķēta aizmugures riteņa bremze.

UZMANĪBU: Pirms kravas iekraušanas ierīcē pārliecinieties, ka ir bloķēta kravas kaste vai kravas tilpne.

UZMANĪBU: Nodrošiniet kravas kraušanu tieši kravas kastē vai tilpnē. Ja krava ir izbīdīta ārā no kravas kastes vai tilpnes, tā var izkrist vai sagāzties, saskaroties ar šķēršļiem.

▲UZMANĪBU: Iekraujiet kravu tā, lai krava atrastos zemāk par acu līmeni. Pārāk augsta krava ir bīstama, jo tā aizsedz skata lauku. Tā kā krava, visticamāk, nav līdzsvarota, iespējams arī apgāšanās un traumu risks.

Kraujot kravu kravas kastē, nostipriniet tos ar virvēm, kuras piesieniet pie virvēm paredzētajiem āķiem.

Kravas izkraušana

▲UZMANĪBU: Paceliet kravas kasti vai tilpni, ierīcei atrodoties uz līdzenas un stabilas virsmas. Darbības uz nestabilas virsmas var izraisīt nelaimes gadījumus vai traumas.

Karvu var izkraut, paceļot un pieliecot kravas kasti vai tilpni.

1. Apstādiniet ierīci un bloķējiet bremzes.

IEVĒRĪBAI: Lai stabilizētu ierīci, ieteicams bloķēt priekšējo rīteni.

2. Atlaidiet bloķēšanas sviru.

3. Nostājieties pie ierīces sāniem, ar vienu roku pieturiet rokturi un pēc tam ar otru roku paceliet un pielieciet kravas kasti vai tilpni, bīdot kravas kastes rāmi uz augšu.

▲UZMANĪBU: Turiet cieši rokturi un kravas kastes rāmi, un strādājiet, saglabājot stabili ķermeņa stāvokli.

▲UZMANĪBU: Saglabājiet iespējami mazu kravas apjomu. Ja krava ir liela, nemēģiniet pacelt kravas kasti. Samaziniet kravas apjomu un tikai tad paceliet kravas kasti.

▲UZMANĪBU: Pēc kravas izkraušanas nofiksējiet kravas kasti vai tilpni.

APKOPE

▲UZMANĪBU: Pirms ierīces uzglabāšanas vai arī pārbaudes vai apkopes sākšanas vienmēr nodrošiniet, ka ierīce atrodas uz līdzenas virsmas, un bloķējiet bremzes sviru.

▲UZMANĪBU: Ja ir uzstādīti aizmugurējie rīteņi, pirms uzglabāšanas, pārbaudēm un apkopes pārliecinieties, ka ir bloķēta aizmugurējā rīteņa bremze.

▲UZMANĪBU: Pirms uzglabāšanas, pārbaudes vai apkopes vienmēr no izņemiet no mašīnas atslēgu un akumulatora kasetni.

▲UZMANĪBU: Ja ierīci nelietojat, vienmēr izņemiet atslēgu. Atslēgu glabājiet drošā, bērniem nepieejamā vietā.

Regulāras pārbaudes

- Pārbaudiet, vai skrūves un uzgriežņi ir cieši pievilkti.

- Pārbaudiet, vai kravas kaste ir nofiksēta, ja bloķēšanas svira ir pilnībā pavilkta uz leju.

- Pārbaudiet, vai nav traucēta bremzes sviras darbība.

▲BRĪDINĀJUMS: Ja, pilnībā pavelkot bremzes sviru, tā pieskaras rokturim, bremzes darbība ir traucēta. Noregulējiet bremzi vai sazinieties ar vietējo „Makita” apkopes centru, lai vienotos par remontu.

- Pārbaudiet, vai priekšējais rītenis nav bojāts vai arī riepā nav zems spiediens.

Ierīces tīrīšana

IEVĒRĪBAI: Nekad neizmantojiet gāzoliņu, benzīnu, atšķaidītāju, spirtu vai līdzīgus šķidrumus. Tas var radīt izbalēšanu, deformāciju vai plaisas.

IEVĒRĪBAI: Tīrot ierīci ar tekošu ūdeni, noskaļojiet arī kravas kastes vai tilpnes apakšpusi. Tīrīšanai neizmantojiet augstspiediena mazgāšanas ierīci.

Notīriet no ierīces dubļus, zemi un citus neīrumus. Tīriet ierīci ar tekošu ūdeni. Pēc tīrīšanas noslaukiet ierīci ar sausu drānu.

Glabāšana

Izņemiet atslēgu. Glabājiet ierīci drošā, bērniem nepieejamā vietā.

Glabājot ierīci, rokturus var pagriezt uz priekšpusi. Ar komplektā iekļauto uzgriežņu atslēgu atskrūvējiet īsās sešstūra skrūves un skrūves ar apcilni. Pagrieziet rokturus uz ārpusi, un pēc tam grieziet tos uz priekšpusi. Lai nofiksētu rokturus, pievelciet skrūves ar apcilni un īsās sešstūra skrūves.

IEVĒRĪBAI: Nepievelciet īsās sešstūra skrūves ar pārmērīgu spēku. Pievelciet tās ar piemērotu spēku, nodrošinot, ka rokturi ir stabili nostiprināti.

IEVĒRĪBAI: Neiespiediet vadus ar skrūvēm.

Bremzes regulēšana

▲UZMANĪBU: Ja uzstādīti aizmugures rīteņi, pirms bremzes regulēšanas noteikti nobloķējiet aizmugurējā rīteņa bremzi.

1. Noņemiet kravas kasti vai tilpni un pēc tam atveriet kravas kastes rāmi.

2. Pavelciet bremzes sviru, lai atlaistu bremzes sviras bloķēšanas pogu.

- **Att.54:** 1. Bloķēšanas poga 2. Bremzes svira
3. Atskrūvējiet regulēšanas uznavu.
- **Att.55:** 1. Regulēšanas uznavs 2. Fiksācijas uzgrieznis
4. Pievelciet tikai fiksācijas uzgriezni.
- **Att.56:** 1. Fiksācijas uzgrieznis
5. Atskrūvējiet regulēšanas uznavu.
- **Att.57:** 1. Regulēšanas uznavs 2. Fiksācijas uzgrieznis
6. Pievelciet tikai fiksācijas uzgriezni.
- **Att.58:** 1. Fiksācijas uzgrieznis
7. Pārlicinieties, ka pilnībā piespiesta bremzes svira atrodas pusceļā no attāluma līdz rokturim. Ja bremzes svira atrodas pusceļā no attāluma līdz rokturim, veiciet 13. darbību. Ja bremzes svira neatrodas pusceļā no attāluma līdz rokturim, veiciet 8. darbību.
- **Att.59:** 1. Bremzes svira
8. Atskrūvējiet tikai fiksācijas uzgriezni.
- **Att.60:** 1. Fiksācijas uzgrieznis
9. Pievelciet fiksācijas uzgriezni kopā ar regulēšanas uznavu.
- **Att.61:** 1. Regulēšanas uznavs 2. Fiksācijas uzgrieznis
10. Atskrūvējiet tikai fiksācijas uzgriezni.
- **Att.62:** 1. Fiksācijas uzgrieznis
11. Pievelciet fiksācijas uzgriezni kopā ar regulēšanas uznavu.
- **Att.63:** 1. Regulēšanas uznavs 2. Fiksācijas uzgrieznis
12. Pārlicinieties, ka pilnībā piespiesta bremzes svira atrodas pusceļā no attāluma līdz rokturim.
- **Att.64:** 1. Bremzes svira
13. Salokiet kravas kastes rāmi un pēc tam nostipriniet kravas kastīti vai tīplni.
- **Att.65:** 1. Kravas kastes rāmis

PAPILDU PIEDERUMI

⚠ UZMANĪBU: Šādi piederumi un papildierīces tiek ieteiktas lietošanai ar šajā rokasgrāmatā aprakstīto Makita darbarīku. Izmantojot citus piederumus vai papildierīces, var tikt radīta trauma gūšanas bīstamība. Piederumu vai papildierīci izmantojiet tikai paredzētajam mērķim.

Ja jums vajadzīga palīdzība vai precīzāka informācija par šiem piederumiem, vērsieties savā tuvākajā Makita apkopes centrā.

- Kravas kaste
- Kravas tīplne
- Makita oriģinālais akumulators un lādētājs

PIEZĪME: Daži sarakstā norādītie izstrādājumi var būt iekļauti instrumenta komplektācijā kā standarta piederumi. Tie dažādās valstīs var būt atšķirīgi.

SPECIFIKACIJOS

Modelis:		DCU180
Matmenys (I x P x A)	Kai sumontuota bagažinė	Dirbant: 1 560 mm x 1 060 mm x 900 mm Sandėliuojant: 1 110 mm x 670 mm x 820 mm
	Kai sumontuotas dubuo	Dirbant: 1 310 mm x 790 mm x 900 mm Sandėliuojant: 1 110 mm x 590 mm x 820 mm
Važiavimo greitis	Priekinė eiga	1,5 arba 3,5 km/h
	Atbulinė eiga	1,0 km/h
Mažiausias posūkio spindulys		1 075 mm (išorinis skersmuo, kai sukimo ašis yra priekinis ratas)
Didžiausias įveikiamas nuolydis		12°
Didžiausias krovinys		130 kg
Stabdys	Priekinis ratas	Trosu valdomas diskinis stabdys
	Galiniai ratai	Užfiksuojamas pedalu
Padanga	Priekinis ratas	Bekamerė padanga
	Galiniai ratai	Užsiklijuojančioji padanga
Vardinė įtampa		N.S. 18 V
Standartinė akumuliatoriaus kasetė		BL1815N / BL1820 / BL1820B / BL1830 / BL1830B / BL1840 / BL1840B / BL1850 / BL1850B / BL1860B
Įkroviklis		DC18RC / DC18RD / DC18SD / DC18SE / DC18SF
Grynasis svoris	Kai sumontuota bagažinė	45 kg
	Kai sumontuotas dubuo	39 – 40 kg

- Atliekame tęstinus tyrimus ir nuolat tobuliname savo gaminius, todėl čia pateikiamos specifikacijos gali būti keičiamos be įspėjimo.
- Įvairiose šalyse specifikacijos ir akumuliatoriaus kasetė gali skirtis.
- Svoris gali priklausyti nuo priedo (-ų), įskaitant akumuliatoriaus kasetę. Lengviausias ir sunkiausias deriniai pagal EPTA 2014 m. sausio mėn. procedūrą yra parodyti lentelėje.

Simboliai

Toliau yra nurodyti įrangai naudojami simboliai. Prieš naudodami įsitikinkite, ar suprantate jų reikšmę.



Perskaitykite instrukciją vadovą.



Taikoma tik ES šalims
Neišmeskite elektros įrangos arba akumuliatoriaus bloko į buitinius šiukšlynus!

Atsivėlgiant į ES direktyvas dėl elektros ir elektroninės įrangos atliekų, dėl baterijų ir akumuliatorių bei šių direktyvų siekių įgyvendinimą pagal nacionalinius įstatymus, elektros įrangos ir baterijų bei akumuliatorių atliekas būtina surinkti atskirai nuo kitų buitinių atliekų ir atiduoti į antrinių žaliavų perdirbimo aplinkai nekenksmingu būdu punktą.



Galiausiai nuleiskite svirtį ir patikrinkite, ar bagažinė arba dubuo užfiksuoti.



Nekeiskite važiavimo krypties, kai važiuojate didelio nuolydžio nuožulnuma.



Daiktus kraukite ir iškraukite ant lygaus paviršiaus.



Daiktus ant bagažinės arba į dubenį sukraukite tolygiai.



Šio įrankio negalima naudoti viešuosiuose keliuose.



Nenaudokite žmonėms vežti.



Saugokite įrankį nuo lietaus.



Kad išjungtumėte pyptelėjimo signalą, atleiskite gaiduką ir patraukite stabdžio svirtį.

Numatytoji naudojimo paskirtis

Mašina skirta daiktams krauti ir vežti.

EB atitikties deklaracija

Tik Europos šalims

EB atitikties deklaracija yra pridedama kaip šio instrukcijų vadovo A priedas.

SAUGOS ĮSPĖJIMAI

Bendrieji įspėjimai dirbant elektriniais įrankiais

▲ ĮSPĖJIMAS: Perskaitykite visus saugos įspėjimus, instrukcijas, iliustracijas ir techninius duomenis, pateiktus kartu su šiuo elektriniu įrankiu. Nesilaikant visų toliau išvardytų instrukcijų galima patirti elektros smūgį, gali kilti gaisras ir (arba) galima sunkiai susižaloti.

Įsaugokite visus įspėjimus ir instrukcijas, kad galėtumėte jas peržiūrėti ateityje.

Terminas „elektrinis įrankis“ pateiktuose įspėjimuose reiškia į maitinimo tinklą jungiamą (laidinį) elektrinį įrankį arba akumulatoriaus maitinamą (belaidį) elektrinį įrankį.

Įspėjimai dėl akumulatorinio raučio saugumo

1. Šio įrankio negalima naudoti viešuosiuose keliuose.
2. Naudodami šią mašiną, visada avėkite neslidžią apsauginę avalynę. Neslidūs uždari batai sumažins pavojų susižaloti.
3. Apžiūrėkite taką, prieš veždami daiktus / medžiagas. Susipažinus su taku ir įsitikinus, kad jis pakankamai platus pakrautai mašinai saugiai vairuoti, sumažės pavojus nesuvaldyti mašinos.
4. Būkite itin atsargūs ant slidaus, puraus arba netvirto paviršiaus. Ant šlapio bei slidaus paviršiaus, pvz., šlapioje žolingoje vietoje, ant sniego arba ledo, ir ant puraus bei netvirto paviršiaus, pvz., ant smėlo arba žvyruoto paviršiaus, mašinos ratai gali prasčiau sukibti su paviršiumi, todėl mašiną gali būti sunkiau vairuoti ir stabdyti, ji gali būti mažiau stabilii.
5. Nenaudokite mašinos per didelio nuolydžio nuokalnėse. Taip kils mažesnis pavojus nesuvaldyti įrankio, paslysti, nugriūti ir susižaloti. Už didžiausią rekomenduojamą didesnį nuolydį bei šoninį nuolydį gali padidinti nestabilumo pavojų ir pabloginti galimybę saugiai sustabdyti.
6. Dirbdami nuožulniose vietose, visada tvirtai stovėkite ir dirbkite skersai nuožulnumos – niekada neikite aukštyn arba žemyn, taip pat būkite itin atsargūs, kai keičiate kryptį. Taip kils mažesnis pavojus nesuvaldyti įrankio, paslysti, nugriūti ir susižaloti.
7. Kai tik įmanoma, stabdykite, kraukite ir iškraukite lygioje vietoje, niekada nepalikite mašinos be priežiūros nuožulnioje vietoje. Nuožulnioje vietoje pastatyta mašina mažiau stabili nei pastatyta ant lygaus paviršiaus.
8. Kai sustabdote nuožulnioje vietoje, visada pasukite mašiną į įkalnę arba nuokalnę ir užblokuokite nestabdomuosius ratus. Kai mašina pasukta skersai nuožulnumos, ji mažiau stabili. Nestabdomieji ratai, ypač baldų ratukų tipai, gali pasisukti, todėl karutis gali nuriedėti nuokalnėn, net kai priekinio rato stovėjimo stabdys įjungtas.
9. Kai paliekate mašiną be priežiūros, pastatykite ją saugioje stovėti vietoje ir įjunkite stovėjimo stabdį. Stovėjimo stabdys neleidžia priekiniam ratui netikėtai pajudėti ir gali padidinti stabilumą.
10. Įsitikinkite, kad nuovažos yra švarios, tvirtos ir saugios. Siekiant sumažinti pavojų susižaloti, ant nuovažų turi nebūti palaidų apnašų ir jos turi būti pakankamai tvirtos, kad išlaikytų krovinių, kuriuos ketinama per juos vežti, svorį. Nuovažų apačia ir šonai turi būti tinkamai sutvirtinti, kad jos neišsilenktų ir nesiūbuotų į šonus vežant krovinį. Visos nuovažos turi būti pakankamai plačios, kad būtų galima tvirtai atsistoti vežant krovinius per jas.
11. Venkite virš atviros erdvės sumontuotų ilgumųjų nuovažų be bortelių arba turėklų. Į didelio gylio atvirą erdvę arba atvirą tranšėją galima netyčia nukristi ir sunkiai susižaloti. Virš atviros erdvės sumontuotos nuovažos privalo būti su borteliais arba turėklais, kad mašina negalėtų nuvažiuoti nuo nuovažos.
12. Prieš naudodami, įsitikinkite, kad visi fiksavimo varžtai tvirtai priveržti. Galinių ratų fiksavimo varžtai ir atvirosios bagažinės priekinė bei šoninės sienelės privalo būti pritvirtinti, kad šios reguliuojamosios mašinos dalys netikėtai nepajudėtų.
13. Niekada nedirbkite su mašina, kai ji per daug prikrauta. Įsitikinkite, kad mašinos krovumas atitinka daiktus arba medžiagas, kuriuos ketinama vežti. Jei apkrova per didelė, mašina sunkiau vairuoti ir sustabdyti, padidėja stabdymo trukmė ir kelias, taip pat padidėja nestabilumo pavojus.
14. Niekada nedirbkite su mašina, kai krovinis aukštesnis per didelį. Prikrovus tiek, kad krovins kyšotų virš bagažinės bortelio krašto arba per jį, mašina gali prarasti pusiausvyrą ir jos galite nesuvaldyti.
15. Naudokite tarą ir pririšimo virves kroviniams įtvirtinti. Palaidi ir (arba) neįtvirtinti kroviniai dažniau pasislenka, todėl mašina gali prarasti pusiausvyrą ir jos galite nesuvaldyti.
16. Visada tvirtai laikykite rankenas. Nesuvaldžius mašinos, padidėja pavojus susižaloti.
17. Ištraukite saugos raktelį, kai mašinos nenaudojate. Ištraukus saugos raktelį, nepageidaujami asmenys, pvz., vaikai, kiti neišmokyti arba neįgaloti asmenys, negali įjungti mašinos. Be raktelio negalima įjungti maitinimo.
18. Kai šią mašiną pakraunate ir (arba) iškraunate transportuoti, arba ją perkeliate į kitą aukštį, naudokite tvirtą plokštę su neslystančiu paviršiumi ir atsikabinti neleidžiančią funkciją. Įsitikinkite, kad plokštė pasvirusi ne daugiau 12°. Mašiną valdykite iš lėto ir atsargiai. Naudojant nestabilioje vietoje arba greitai, mašina gali nuvirsti ir (arba) nukristi.
19. Neardykite, neremontuokite ar nemodifikuokite šios mašinos.

Naudojimas

1. Kai dirbate su mašina, stovėkite už mašinos ir tvirtai laikykite rankenas.
2. Neįjunkite mašinos, užlipę ant jos.
3. Neleiskite kitiems važiuoti užlipus ant mašinos.
4. Kai įjunkiate atbulinę mašinos eigą ir einate atbulomis, stebėkite taką už savęs ir būkite atsargūs, kad nepaslytumėte arba nenugriūtumėte.
5. Nenaudokite mašinos prasto matomumo sąlygomis, nes kyla pavojus susidurti su kliūtimis.
6. Kai dirbate su mašina ant nelygaus paviršiaus, sumažinkite greitį ir būkite atsargūs.
7. Dirbdami su mašina stenkitės nevažiuoti ant netvirto paviršiaus, kad mašina neapvirstų susmegus kelio kraštui.

8. Nedirbkite su mašina didesnio nei 12° nuolydžio nuožulnumose.
9. Pastebėję neįprastą veikimą, sustabdykite mašiną ant lygaus paviršiaus. Prieš tikrindami mašiną, patraukite stabdžio svirtį ir užfiksuokite stabdį, tada išjunkite maitinimą.
10. Prieš pradėdami dirbti su mašina, patikrinkite, ar fiksavimo svirtis iki galo patraukta žemyn ir visiškai užfiksuota. Jei ji nevisiškai užfiksuota, leidžiantis nuokalne kyla nelaimingo atsitikimo arba susižalojimo pavojus, nes gali pasvirti bagažinė arba dubuo ir iškristi vežami daiktai.
11. Saugokitės, kad krovinys arba kliūtis neįsinarpliotų į trosus.

Naudojimas nuožulnioje vietoje

1. Neikite skersai nuožulnumo.
2. Būtinai sumažinkite greitį ir būkite atsargūs.
3. Būkite atsargūs, kai paleidžiate arba sustabdo mašiną nuožulniose vietose.
4. Nuožulniose vietose kroviniai mažiau stabilūs, todėl patikimai pritvirtinkite juos virvėmis.
5. Jei mašina tampa nestabili, atsižvelgdami į kelio sąlygas, vežkite kuo lengvesnį krovinį.
6. Nuožulniose vietose krovinys užstoja vaizdą, todėl vežkite kuo žemesnį krovinį.
7. Niekada nestatykite mašinos ant didelio nuolydžio nuožulnumos. Pastatykite mašiną ant lygaus paviršiaus, patraukite stabdžio svirtį ir užfiksuokite stabdį, tada išjunkite maitinimą.
8. Nekeiskite važiavimo krypties arba greičio režimo, kai važiuojate didelio nuolydžio nuožulnuma.
9. Neatleiskite gaiduko, kai važiuojate įkalne. Mašina gali pradėti važiuoti atbuline eiga ir sukelti nelaimingą atsitikimą.
10. Prieš pradėdami dirbti nuožulniose vietose, įsitikinkite, ar likusi pakankama akumulatoriaus galia. Jei likusi akumulatoriaus galia nepakankama, įkraukite akumuliatorių arba pakeiskite jį įkrautu akumulatoriumi.

Daiktų krovimas

1. Nepikraukite per daug daiktų. Kraudami daiktus laikykitės nurodymų ir aprkrovos ribų, nurodytų vadove.
2. Daiktus patikimai pritvirtinkite virvėmis.
3. Daiktus dėkite ant bagažinės arba į dubenį. Jei daiktai kyšo iš bagažinės arba dubens, kyla nelaimingo atsitikimo pavojus, nes daiktai gali iškristi arba užkliūti už kliūčių, pvz., sienų.
4. Pasirūpinkite, kad sukrauti daiktai būtų žemiau akių lygio. Per aukštas krovinys užstoja vaizdą ir kelia pavojų. Taip pat kyla apvirtimo ir sužalojimo pavojus, nes tikėtina, kad krovinys nesubalansuotas.
5. Daiktus ant bagažinės arba į dubenį sukraukite tolygiai. Jei daiktai sukrauti netolygiai, kyla apvirtimo ir sužalojimo pavojus, nes tikėtina, kad krovinys nesubalansuotas.
6. Prieš kraudami daiktus arba pradėdami dirbti su mašina, patikrinkite, ar fiksavimo svirtis iki galo patraukta žemyn ir visiškai užfiksuota.
7. Siekdami užtikrinti pusiausvyrą, pirmiausia kraukite sunkius daiktus.

8. Neilginkite priekinio ir šoninių bortelių, kai važiuojate didelio nuolydžio nuožulnuma. Kai kraunami lengvi daiktai, pailginkite šoninius bortelius.
9. Kai ilginatė priekinį ir šoninius bortelius, nepailginkite jų daugiau nei iki ilginimo ribos. Šoninius bortelius pailginkite taip, kad jie būtų vienodo ilgio, taip pat tolygiai sukraukite daiktus.
10. Daiktus kraukite ir iškraukite ant lygaus paviršiaus.
11. Kai keliate ir verčiate bagažinę arba dubenį, tvirtai laikykite už rankenų bei rėmo ir stabiliai stovėkite.

Techninė priežiūra

1. Prieš palikdami sandėliavimo vietoje arba prieš atlikdami patikrą ar techninės priežiūros darbus, visada pastatykite mašiną ant lygaus paviršiaus ir užfiksuokite stabdžio svirtį.

SAUGOKITE ŠIAS INSTRUKCIJAS.

⚠️ ĮSPĖJIMAS: NELEISKITE, kad patogumas ir gaminio pažinimas (įgyjamas pakartotinai naudojant) susilpnintų griežtą saugos taisyklių, taikytinų šiam gaminiui, laikymąsi. Dėl NETINKAMO NAUDOJIMO arba saugos taisyklių, kurios pateiktos šioje instrukcijoje, nesilaikymo galima rimtai susižeisti.

Svarbios saugos instrukcijos, taikomos akumulatoriaus kasetei

1. Prieš naudodami akumulatoriaus kasetę, perskaitykite visas instrukcijas ir perspėjimus ant (1) akumuliatorių įkroviklio, (2) akumuliatorių ir (3) akumuliatorių naudojančio gaminio.
2. Neardykite akumulatoriaus kasetės.
3. Jei įrankio darbo laikas žymiai sutrumpėjo, nedelsdami nutraukite darbą su įrankiu. Tai gali kelti perkaitimą, nudegimų ar net sprogio pavojų.
4. Jei elektrolitas pateko į akis, plaukite jas tyru vandeniu ir nedelsdami kreipkitės į gydytoją. Gali kilti regėjimo praradimo pavojus.
5. Neužtrumpinkite akumulatoriaus kasetės:
 - (1) Nelieskite kontaktų degiomis medžiagomis.
 - (2) Venkite laikyti akumulatoriaus kasetę kartu su kitais metaliniais daiktais, pavyzdžiui, vinimis, monetomis ir pan.
 - (3) Saugokite akumulatoriaus kasetę nuo vandens ir lietaus.
- Trumpasis jungimas akumulatoriui sukelti stiprią srovę, perkaitimą, galimus nudegimus ar net akumulatoriaus gedimą.
6. Nelaikykite įrankio ir akumulatoriaus kasetės vietoje, kur temperatūra gali pasiekti ar viršyti 50 °C.
7. Nedeginkite akumulatoriaus kasetės, net jei yra stipriai pažeista ar visiškai susidėvėjusi. Ugnyje akumulatoriaus kasetė gali sprogti.
8. Saugokite akumuliatorių nuo kritimo ir smūgių.
9. Nenaudokite pažeisto akumulatoriaus.
10. Įdėtoms ličio jonų akumulatoriams taikomi Pavojuojų prekių teisės akto reikalavimai. Komeracinis transportas, pvz., trečiųjų šalių, prekių vežimo atstovų, turi laikytis specialaus reikalavimo ant pakuotės ir ženklavimo.

Norėdami paruošti siųstiną prekę, pasitarkite su pavojuingų medžiagų specialistu. Be to, laikykitės galimai išsamesnių nacionalinių reglamentų. Užklijuokite juosta arba padenkite atvirus kontaktus ir supakuokite akumuliatorių taip, kad jį pakuotėje nejudėtų.

11. Vadovaukitės vietos įstatymais dėl akumuliatorių išmetimo.

SAUGOKITE ŠIAS INSTRUKCIJAS.

▲PERSPĖJIMAS: Naudokite tik originalų „Makita“ akumuliatorių. Neoriginalaus „Makita“ arba pakeisto akumuliatoriaus naudojimas gali nulemti gaisrą, asmens sužalojimą ir pažeidimą. Tai taip pat panaikina „Makita“ suteikiamą „Makita“ įrankio ir įkroviklio garantiją.

Patarimai, ką daryti, kad akumuliatorius veiktų kuo ilgiau

1. Pakraukite akumuliatoriaus kasetę prieš jai visiškai išsikraunant. Visuomet nustokite naudoti įrankį ir pakraukite akumuliatoriaus kasetę, kai pastebite, kad įrankio galia sumažėjo.
2. Niekada nekraukite iki galo įkrautos akumuliatoriaus kasetės. Perkraunant trumpėja akumuliatoriaus eksploatacijos laikas.
3. Akumuliatoriaus kasetę kraukite esant kambario temperatūrai 10 - 40 °C. Prieš pradėdami krauti, leiskite įkaitusiai akumuliatoriaus kasetei atvėsti.
4. Įkraukite akumuliatoriaus kasetę, jei jos nenaudojate ilgą laiką (ilgiau nei šešis mėnesius).

DALIŲ APRAŠYMAS

Dalių aprašymas (kai sumontuota bagažinė)

► Pav.1

1	Valdymo pultas	2	Rankena
3	Gaidukas	4	Akumuliatorių dėžė
5	Priekinio rato stabdžio svirtis	6	Galiniai ratai
7	Galinio rato stabdžio pedalas	8	Lempa
9	Priekinis ratas	10	Bagažinė

Dalių aprašymas (kai sumontuotas dubuo)

► Pav.2

1	Valdymo pultas	2	Rankena
3	Gaidukas	4	Akumuliatorių dėžė
5	Priekinio rato stabdžio svirtis	6	Galiniai ratai
7	Galinio rato stabdžio pedalas	8	Lempa
9	Priekinis ratas	10	Dubuo

SURINKIMAS

▲PERSPĖJIMAS: Prieš atlikdami bet kokius darbus prie mašinos, visada patikrinkite, ar mašina išjungta, o akumuliatoriaus kasetė – išimta.

Pagrindinio bloko surinkimas

1. Išimkite pagrindinį bloką ir rankenas iš dėžės.

► Pav.3

PASTABA: Pagrindinį bloką ir rankenas išimkite kartu, kad trosų neveiktų per didelė jėga.

2. Padėkite pakavimo medžiagas po galine pagrindinio bloko puse.

► Pav.4: 1. Pakavimo medžiaga

3. Įkiškite galinius ratus į rėmą.

► Pav.5: 1. Galiniai ratai

► Pav.6: 1. Galiniai ratai

PASTABA: Vietoje galinių ratų galima pritvirtinti atramas.

4. Uždėkite spyruoklinę ir paprastą poveržles ant trumpo varžto šešiabriaune galvute, tada priveržkite juos komplekte esančiu veržliarakčiu.

► Pav.7: 1. Trumpas varžtas šešiabriaune galvute
2. Spyruoklinė poveržlė 3. Poveržlė

► Pav.8

PASTABA: Galiniams ratams pritvirtinti būtina naudokite trumpus varžtus šešiabriaune galvute.

PASTABA: Galinius ratus pritvirtinkite nustatę į vienodą padėtį abiejose pusėse.

5. Pakelkite rankenas ir įkiškite jas į pagrindinį bloką.

► Pav.9

PASTABA: Neleiskite trosams pakliūti į A sritį, parodytą paveikslėlyje. Ilgi daiktai gali įsinarplioti į trosus ir sukelti nelaimingą atsitikimą.

PASTABA: Pernelyg neįtempkite trosų, keldami ir įkišdami rankenas.

PASTABA: Rankenas kelkite abiem rankomis.

6. Nulenkite atraminį rėmą į priekį.

► Pav.10: 1. Atraminis rėmas

7. Išskleiskite rankenas, įkiškite ilgus varžtus šešiabriaune galvute į pagrindinį bloką, tada priveržkite veržles komplekte esančiu veržliarakčiu.

► Pav.11: 1. Ilgas varžtas šešiabriaune galvute

8. Komplekte esančiu veržliarakčiu iš galo priveržkite varžtus su kakliuku.

► Pav.12: 1. Varžtas su kakliuku

9. Komplekte esančiu veržliarakčiu iš abiejų pusių priveržkite trumpus varžtus šešiabriaune galvute, kad pritvirtintumėte rankenas.

► Pav.13: 1. Trumpas varžtas šešiabriaune galvute

PASTABA: Trumpų varžtų šešiabriaune galvute neveržkite per stipriai. Juos priveržkite tinkama jėga, kad rankenos būtų stabiliai pritvirtintos.

PASTABA: Varžtais neprispauskite trosų.

10. Apkabomis pritvirtinkite trosus.
► **Pav.14:** 1. Apkaba

11. Gražinkite atraminį rėmą.
► **Pav.15:** 1. Atraminis rėmas

12. Traukdami stabdžio svirtį, paspauskite fiksavimo mygtuką, kad užfiksuotumėte stabdį.
► **Pav.16:** 1. Fiksavimo mygtukas 2. Stabdžio svirtis

▲PERSPĖJIMAS: Jei sumontuoti galiniai ratai, nuspauskite galinio rato stabdžio pedalą, kad užfiksuotumėte galinį ratą.

13. Užkabinkite atraminio rėmo fiksatorių ir patraukite fiksavimo svirtį žemyn, kad užfiksuotumėte atraminį rėmą.
► **Pav.17:** 1. Atraminio rėmo fiksatorius 2. Fiksavimo svirtis

PASTABA: Įsitinkinkite, kad fiksavimo svirtis patikimai užfiksuota.

PASTABA: Fiksavimo svirtimi neprispauskite trosų.

PASTABA: Jei vietoje galinių ratų norite pritvirtinti atramas, nuimkite galinius ratus nuo rėmų ir prie jų pritvirtinkite atramas.

► **Pav.18:** 1. Galiniai ratai 2. Atrama

Bagażinės surinkimas ir sumontavimas

Pasirenkamasis priedas

1. Išimkite bagažinę iš dėžės, pritvirtinkite priekinį ir šoninius bortelius prie pagrindo rėmo, tada priveržkite varžtus su rankenėle, kad pritvirtintumėte bortelius.
► **Pav.19:** 1. Varžtas su rankenėle

2. Uždėkite bagažinę ant pagrindinio bloko ir iš viršaus įkiškite varžtus šešiabriaune galvute su poveržlėmis į rėmus. Iš apačios priveržkite paprastas bei spyruoklines poveržles ir sparnuotąsias veržles, kad pritvirtintumėte bagažinę.

► **Pav.20:** 1. Ilgas varžtas šešiabriaune galvute
2. Trumpas varžtas šešiabriaune galvute
3. Poveržlė 4. Spyruoklinė poveržlė
5. Sparnuotoji veržlė

PASTABA: Priekyje naudokite ilgus varžtus, o gale – trumpus.

Dubens sumontavimas

Pasirenkamasis priedas

Uždėkite dubenį ant pagrindinio bloko, įkiškite varžtus šešiabriaune galvute į rėmus, tada iš apačios priveržkite paprastas bei spyruoklines poveržles ir sparnuotąsias veržles, kad pritvirtintumėte dubenį.

► **Pav.21:** 1. Varžtas šešiabriaune galvute 2. Poveržlė
3. Spyruoklinė poveržlė 4. Sparnuotoji veržlė

VEIKIMO APRAŠYMAS

Akumulatoriaus kasetės uždėjimas ir nuėmimas

▲PERSPĖJIMAS: Prieš įdėdami arba išimdami akumulatoriaus kasetę, visada išjunkite mašiną.

▲PERSPĖJIMAS: Prieš pradėdami naudoti, įsitinkinkite, ar akumulatoriaus dangtelis užfiksuotas. Kitaip gali patekti purvo, nešvarumų arba vandens ir gaminyje arba akumulatoriaus kasetė gali sugesti.

▲PERSPĖJIMAS: Akumulatoriaus kasetę visada įkiškite iki galo, kol nebematysite raudono indikatorius. Kitaip ji gali atsitiktinai iškristi iš mašinos ir sužeisti jus arba aplinkinius žmones.

▲PERSPĖJIMAS: Nekiškite akumulatoriaus kasetės jėga. Jeigu kasetė sunkiai lenda, ją kišate netinkamai.

▲PERSPĖJIMAS: Nenaudokite stipriai įkaičiusios akumulatoriaus kasetės. Jei naudojama stipriai įkaičiusi akumulatoriaus kasetė, nuskamba trumpas pytelėjimas, ir mašina automatiškai sustoja, todėl ji gali sužeisti.

Akumulatoriaus kasetės įdėjimas

1. Pasukite fiksavimo svirtį ir atidarykite akumulatorių dėžės dangtelį.

► **Pav.22:** 1. Fiksavimo svirtis 2. Dangtelis

2. Sulygiuokite akumulatoriaus kasetės liežuvelį su grioveliu akumulatorių dėžėje ir įstumkite kasetę, kad ji spragtelėdama užsifiksuotų. Jei matote raudoną indikatorius viršutinėje mygtuko pusėje, akumulatoriaus kasetė nevisiškai užfiksuota.

► **Pav.23:** 1. Akumulatoriaus kasetė

3. Iki galo įkiškite fiksavimo raktą į paveikslėlyje parodytą vietą.

► **Pav.24:** 1. Fiksavimo raktas

PASTABA: Jei blokavimo raktelis nevisiškai įkištas, mašina neveikia.

4. Uždarykite akumulatorių dėžės dangtelį ir pasukite fiksavimo svirtį.

► **Pav.25:** 1. Fiksavimo svirtis 2. Dangtelis

Akumulatoriaus kasetės išėmimas

1. Pasukite fiksavimo svirtį ir atidarykite akumulatorių dėžės dangtelį.

2. Ištraukite akumulatoriaus kasetę iš akumulatorių dėžės, laikydami kasetės priekyje esantį mygtuką paslinktą.

► **Pav.26:** 1. Mygtukas

3. Ištraukite fiksavimo raktą.

4. Uždarykite akumulatorių dėžės dangtelį ir pasukite fiksavimo svirtį.

Mašinos / akumulatoriaus apsaugos sistema

Mašinoje įrengta mašinos / akumulatoriaus apsaugos sistema. Ši sistema automatiškai atjungia variklio maitinimą, kad mašina ir akumulatorius ilgiau veiktų. Jei susidarys viena iš toliau aprašytų mašinos arba akumulatoriaus kasetės veikimo sąlygų, veikianti mašina automatiškai sustos. Prieš mašinai automatiškai sustojant, nuskamba trumpas pyptelėjimas. Kol skamba pyptelėjimas, mirksi akumulatoriaus ir šviesdiodiniai indikatoriai.

Apsauga nuo perkrovos

Kai mašina naudojama taip, kad neįprastai padidėja naudojama elektros srovė, mašina automatiškai sustoja be jokių indikacijų. Tokiu atveju išjunkite mašiną, pašalinkite per didelės apkrovos priežastį ir vėl įjunkite mašiną, kad ji būtų paleista iš naujo.

Apsauga nuo perkaitimo

Kai mašina perkaista, ji automatiškai sustoja. Palaukite, kol mašina atvės, prieš vėl ją įjungdami. Labiausiai tikėtina, kad apsauga nuo perkaitimo suveiks, kai aplinkos temperatūra aukšta.

Apsauga nuo visiško išsikrovimo

Kai likusi akumulatoriaus galia tampa per maža, mašina automatiškai sustoja. Jei mašina neveikia net ir spaudžiant jungiklius, išimkite akumulatoriaus kasetę ir įkraukite ją.

Akumulatoriaus kasetės perjungimas

► **Pav.27:** 1. Akumulatoriaus pasirinkimo jungiklis
Į akumuliatorių dėžę galima įdėti vieną arba dvi akumulatoriaus kasetes, tačiau mašina maitinimui naudoja tik vieną akumulatoriaus kasetę. Prieš dirbdami su mašina, pasirinkite akumulatoriaus kasetę, paspausdami numerį akumulatoriaus pasirinkimo jungiklyje.





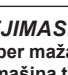
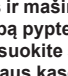
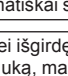
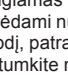
PASTABA: Jei į akumuliatorių dėžę įdėta tik viena akumulatoriaus kasetė, būtinai pasirinkite akumuliatorių dėžės skyrių, į kurį įdėta akumulatoriaus kasetė.

Likusios akumulatoriaus galios indikacija ant akumuliatorių dėžės

▲ **PERSPĖJIMAS:** Prieš tikrindami likusią akumulatoriaus galią arba perjungdami akumulatoriaus kasetę, būtinai sustabdykite mašiną.

► **Pav.28:** 1. Akumulatoriaus indikatoriaus 2. Tikrinimo mygtukas

Paspauskite tikrinimo mygtuką, kad būtų rodoma likusi akumulatoriaus energija. Akumuliatorių indikatoriai parodo atitinkamo akumulatoriaus galią.

Akumulatoriaus indikatoriaus būseną		Likusi akumuliatorių galia
Šviečia	Nešviečia	
		50–100 %
		20 - 50 %
		0 - 20 %
		Akumulatorius neįdėtas

▲ **PERSPĖJIMAS:** Kai likusi akumulatoriaus galia tampa per maža, nuskamba trumpas pyptelėjimas. Jei mašina toliau naudojama, kai likusi akumulatoriaus galia per maža, nuskamba ilgas pyptelėjimas ir mašina automatiškai sustoja. Išgirdę trumpą pyptelėjimą, patraukite stabdžio svirtį ir užfiksuokite stabdį, tada perjunkite įkrautą akumulatoriaus kasetę arba įkraukite išsekusią akumulatoriaus kasetę. Kai akumulatorius išsenka, mašina automatiškai staiga sustoja, todėl gali sužeisti.

PASTABA: Jei išgirdę trumpą pyptelėjimą toliau traukiate gaiduką, mašina automatiškai sustoja. Kai mašina automatiškai sustoja, toliau skamba pyptelėjimas ir įjungiamas pagalbinis stabdys (elektrinis stabdys). Norėdami nutraukti pyptelėjimą ir išjungti pagalbinių stabdžių, patraukite stabdžio svirtį ir atleiskite gaiduką. Nestumkite mašinos jėga, neišjungę pagalbinių stabdžių. Kai išjungiate pagalbinių stabdžių, pagal akumulatoriaus indikatoriaus būseną galite sužinoti, kuri akumulatoriaus apsaugos sistema suveikė.

► **Pav.29:** 1. Dega 2. Mirksi 3. Nedega 4. Apsauga nuo perkaitimo 5. Apsauga nuo visiško išsekimo 6. Apsauga nuo perkrovos

▲ **PERSPĖJIMAS:** Jei dirbant nuožulnioje vietoje pradeda skambėti pypsėjimas arba mašina automatiškai sustoja, nustumkite mašiną į saugią vietą, užfiksuokite stabdį, tada perjunkite įkrautą akumulatoriaus kasetę arba įkraukite išsekusią akumulatoriaus kasetę.

Jei vežant sunkų krovinį nuožulnioje vietoje pradeda skambėti pypsėjimas arba mašina automatiškai sustoja, nestumkite mašinos jėga. Laikydami saugumo reikalavimų, užfiksuokite stabdį, perjunkite įkrautą akumulatoriaus kasetę ir nustumkite mašiną į saugią vietą. Sumažinkite apkrovą, prieš toliau dirbdami su mašina.

PASTABA: Likusią akumulatoriaus galią galima patikrinti, net jei blokovimo raktelis neįkištas.

Likusios akumulatoriaus galios rodymas

Tik akumulatoriaus kasetėms su indikatoriumi

► **Pav.30:** 1. Indikatorių lemputės 2. Tikrinimo mygtukas

Paspauskite akumulatoriaus kasetės tikrinimo mygtuką, kad būtų rodoma likusi akumulatoriaus energija. Maždaug trims sekundėms užsidegs indikatorių lemputės.

Indikatorių lemputės			Likusi galia
Šviečia	Nešviečia	Blyksi	
			75 - 100 %
			50 - 75 %
			25 - 50 %
			0 - 25 %
			Įkraukite akumulatorių.
			Galimai įvyko akumulatoriaus veikimo triktis.

PASTABA: Rodmuo gali šiek tiek skirtis nuo faktinės energijos lygio – tai priklauso nuo naudojimo sąlygų ir aplinkos temperatūros.

Valdymo pultas

► **Pav.31:** 1. Įjungimo mygtukas 2. Priekinės / atbulinės eigos mygtukas 3. Greičio mygtukas

Norėdami įjungti maitinimą, kelias sekundes palaikykite įjungimo mygtuką paspausta. Paspauskite priekinės / atbulinės eigos mygtuką, kad perjungtumėte priekinės arba atbulinės eigos režimą. Paspauskite greičio mygtuką, kad perjungtumėte mažą arba didelį greitį. Kai įjungiamas maitinimas, nustatomas priekinės eigos režimas ir mažas greitis. Norėdami išjungti maitinimą, kelias sekundes palaikykite įjungimo mygtuką paspausta.

PASTABA: Kol traukiamas gaidukas, tol priekinės / atbulinės eigos mygtukas neveikia.

PASTABA: Perjungus atbulinę mašinos eigą, nuskamba trumpas pyptelėjimas.

PASTABA: Kai mašina važiuoja atbuline eiga, greičio mygtukas neveikia.

Gaiduko ir stabdžio veikimas

⚠️ ĮSPĖJIMAS: Prieš įdėdami akumulatoriaus kasetę į mašiną, visuomet patikrinkite, ar gaiduko mygtukas gerai veikia, o atleistas grįžta į išjungimo padėtį „OFF“.

Norėdami paleisti mašiną, patraukite gaiduką. Norėdami sustabdyti mašiną, atleiskite gaiduką ir patraukite stabdžio svirtį. Jei norite užfiksuoti stabdžio svirtį, traukdami stabdžio svirtį, paspauskite fiksavimo mygtuką. Norėdami atlaisvinti, patraukite stabdžio svirtį.

► **Pav.32:** 1. Gaidukas

► **Pav.33:** 1. Fiksavimo mygtukas 2. Stabdžio svirtis

Galinio rato stabdys

Kairės pusės galiniame rate įtaisytas stabdys. Norėdami užfiksuoti stabdį, nuspauskite stabdžio pedalą pirmyn. Norėdami išjungti stabdį, nuspauskite stabdžio pedalą atgal.

► **Pav.34:** 1. Pedalas

Priekinėms lemputėms uždegimas

Norėdami įjungti lemputes, paspauskite lemputės mygtuką ant akumulatorių dėžės. Norėdami įjungti lemputes, dar kartą paspauskite lemputės mygtuką.

► **Pav.35:** 1. Lemputės mygtuką 2. Lempa

PASTABA: Jei mašina nenaudojama, praėjus maždaug 10 minučių, lemputės išsijungia.

PASTABA: Išjungus maitinimą, lemputės išsijungia.

PASTABA: Lemputės galima įjungti, net jei blokavimo raktelis neįkištas.

Rankenos aukščio reguliavimas

Komplekte esančių veržliarakčių išsukite trumpus varžtus šešiabriaune galvute ir varžtus su kakliuku, tada sureguliuokite rankenos aukštį. Galimi trys lygiai. Priveržkite varžtus su kakliuku ir trumpus varžtus šešiabriaune galvute, kad pritvirtintumėte rankeną.

► **Pav.36:** 1. Trumpas varžtas šešiabriaune galvute 2. Varžtas su kakliuku

PASTABA: Nustatykite vienodą kairės ir dešinės rankenų aukštį.

PASTABA: Trumpų varžtų šešiabriaune galvute neveržkite per stipriai. Juos priveržkite tinkama jėga, kad rankenos būtų stabiliai pritvirtintos.

PASTABA: Varžtais neprispauskite trosų.

Atstumo tarp galinių ratų reguliavimas

Komplekte esančių veržliarakčių atlaisvinkite trumpus varžtus šešiabriaune galvute ir paslinkite galinius ratus.

► **Pav.37:** 1. Galiniai ratai

Komplekte esančių veržliarakčių priveržkite trumpus varžtus šešiabriaune galvute, kad pritvirtintumėte ratus.

► **Pav.38:** 1. Trumpas varžtas šešiabriaune galvute

⚠️ APERSPĖJIMAS: Siekdami užtikrinti pusiausvyrą, iki galo ištraukite galinius ratus. Kai galiniai ratai neištraukti, krovinytis turi būti kuo lengvesnis.

PASTABA: Galinius ratus pritvirtinkite nustatę į vienodą padėtį abiejose pusėse.

Bagażinės pločio reguliavimas

Atlaisvinkite 6 varžtus su rankenėle ir pastumkite priekinį bei šoninius borteilus. Priveržkite varžtus su rankenėle, kad pritvirtintumėte priekinį ir šoninius borteilus.

► **Pav.39:** 1. Varžtas su rankenėle 2. Borteilis

▲PERSPĖJIMAS: Borteilių nepastumkite daugiau nei iki ribos žymės.

► **Pav.40**

NAUDOJIMAS

Mašinos naudojimas

PASTABA: Šioje mašinoje priekinį ratą varo akumulatoriaus maitinamas variklis. Šią mašiną naudokite, kad būtų lengviau atlikti pernešimo darbus.

PASTABA: Prieš dirbdami, įkiškite blokavimo raktelį į akumuliatorių dėžę. Jei blokavimo raktelis neįkištas, patraukus gaiduką, nuskamba trumpas pyptelėjimas. Atleidus gaiduką ir patraukus stabdžio svirtį, pypsėjimas išjungiamas.

1. Akumulatoriaus pasirinkimo jungikliu pasirinkite akumulatoriaus kasetę.
2. Paspauskite įjungimo mygtuką valdymo pulte ir palaikykite jį paspaustą kelias sekundes, kad įjungtumėte maitinimą.

► **Pav.41:** 1. Įjungimo mygtukas

3. Patraukite stabdžio svirtį, kad atlaisvintumėte stabdžio svirties fiksatorių.

► **Pav.42:** 1. Fiksavimo mygtukas 2. Stabdžio svirtis

PASTABA: Jei sumontuoti galiniai ratai, išjunkite galinio rato stabdį.

4. Abiem rankomis tvirtai laikykite rankenas.

► **Pav.43**

5. Patraukite gaiduką.

► **Pav.44:** 1. Gaidukas

Daiktų krovimas

▲PERSPĖJIMAS: Prieš kraudami daiktus į mašiną, įsitinkinkite, kad išjungtas maitinimas ir užfiksuota stabdžio svirtis.

▲PERSPĖJIMAS: Jei sumontuoti galiniai ratai, prieš kraudami daiktus į mašiną, įsitinkinkite, kad užfiksuotas galinio rato stabdys.

▲PERSPĖJIMAS: Prieš kraudami daiktus į mašiną, įsitinkinkite, kad bagažinė arba dubuo užfiksuotas.

▲PERSPĖJIMAS: Daiktus būtinai dėkite ant bagažinės arba į dubenį. Jei daiktai kyšo iš bagažinės arba dubens, užkliuvę už kliūties, jie gali iškristi arba būti pažeisti.

► **Pav.45**

▲PERSPĖJIMAS: Daiktus sukraukite taip, kad jie būtų žemiau akių lygio. Per aukštas krovinyv užstoja vaizdą ir kelia pavojų. Taip pat kyla apvirtimo ir sužalojimo pavojus, nes tikėtina, kad krovinyv nesubalansuotas.

► **Pav.46**

Sukrovę daiktus ant bagažinės, įtvirtinkite juos virvėmis, o virves prikabinkite prie virvių kablių.

► **Pav.47**

Krovinio išvertimas

▲PERSPĖJIMAS: Bagažinę arba dubenį kelkite ant lygaus ir stabilaus paviršiaus. Atliekant tai ant nestabilaus paviršiaus, gali įvykti nelaimingas atsitikimas arba galite susižaloti.

Krovinį galima išversti pakeliant ir paverčiant bagažinę arba dubenį.

1. Sustabdykite mašiną ir užfiksuokite stabdžius.

PASTABA: Rekomenduojama atremti priekinį ratą, kad stabilizuotumėte mašiną.

2. Atleiskite fiksavimo svirtį.

3. Atsistokite mašinos šone, viena ranka laikykitės už rankenos, o kita ranka stumkite atraminį rėmą aukštyn, kad pakeltumėte ir paverstumėte bagažinę arba dubenį.

► **Pav.48**

▲PERSPĖJIMAS: Tvirtai laikykite rankeną bei atraminį rėmą ir stabiliai stovėkite.

▲PERSPĖJIMAS: Krovinyv turi būti kuo lengvesnis. Jei krovinyv per sunkus, nebandykite kelti atraminio rėmo. Sumažinkite krovinio svorį ir tada pakelkite atraminį rėmą.

▲PERSPĖJIMAS: Išvertę krovinį, būtinai užfiksuokite bagažinę arba dubenį.

TECHNINĖ PRIEŽIŪRA

▲PERSPĖJIMAS: Prieš palikdami sandėliavimo vietoje arba prieš atlikdami patikrą ar techninės priežiūros darbus, visada pastatykite mašiną ant lygaus paviršiaus ir užfiksuokite stabdžio svirtį.

▲PERSPĖJIMAS: Jei sumontuoti galiniai ratai, prieš palikdami sandėliavimo vietoje, atlikdami patikrą arba techninės priežiūros darbus, įsitinkinkite, kad užfiksuotas galinio rato stabdys.

▲PERSPĖJIMAS: Prieš palikdami sandėliavimo vietoje, atlikdami patikrą arba techninės priežiūros darbus, visada įsitinkinkite, ar ištrauktas blokavimo raktelis ir išimta akumulatoriaus kasetė.

▲PERSPĖJIMAS: Kai mašina nenaudojama, visada ištraukite blokavimo raktelį. Blokavimo raktelį laikykite saugioje, vaikams nepasiekiamoje vietoje.

Reguliaris patikros

- Patikrinkite, ar varžtai ir veržlės tvirtai priveržti.
▶ **Pav.49**
- Patikrinkite, ar užfiksuojama bagažinė, kai fiksavimo svirtis patraukiama iki galo žemyn.
▶ **Pav.50:** 1. Atraminio rėmo fiksatorius 2. Fiksavimo svirtis
- Patikrinkite, ar stabdžio svirtis tinkamai veikia.
▶ **Pav.51:** 1. Stabdžio svirtis

⚠ JSPĖJIMAS: Jei iki galo patraukus stabdžio svirtį ji liečia rankeną, tai reiškia, kad stabdys veikia netinkamai. Sureguliuokite stabdį arba kreipkitės į vietos „Makita“ techninės priežiūros centrą dėl remonto.

- Patikrinkite, ar priekinis ratas nepažeistas ir ar nesubliuškusi jo padanga.

Mašinos valymas

PASTABA: Niekada nenaudokite gazolino, benzino, tirpiklio, spirito arba panašių medžiagų. Gali atsirasti išblukimų, deformacijų arba įtrūkimų.

PASTABA: Kai mašiną plaunate tekančiu vandeniu, vandenį pilkite žemiau bagažinės arba dubens. Mašinai plauti nenaudokite aukšto slėgio plovimo aparato.

Nuvalykite purvą, nešvarumus ir panašias apnašas nuo mašinos. Nuplaukite mašiną tekančiu vandeniu. Nuplovę nušluostykite mašiną sausa šluoste.

Sandėliavimas

Ištraukite blokavimo raktelį. Mašiną laikykite saugioje, vaikams nepasiekiamoje vietoje. Kai mašina laikoma sandėliavimo vietoje, rankenas galima pasukti į priekį. Komplekte esančiu veržliarakčiu išsukite trumpus varžtus šešiabriaune galvute ir varžtus su kakliuku. Pirmą pasukite rankenas išorėn, o paskui – į priekį. Priveržkite varžtus su kakliuku ir trumpus varžtus šešiabriaune galvute, kad pritvirtintumėte rankenas.
▶ **Pav.52:** 1. Varžtas su kakliuku 2. Trumpas varžtas šešiabriaune galvute

PASTABA: Trumpų varžtų šešiabriaune galvute neveržkite per stipriai. Juos priveržkite tinkama jėga, kad rankenos būtų stabiliai pritvirtintos.

PASTABA: Varžtais neprispauskite trosų.

Stabdžio reguliavimas

⚠ PERSPĖJIMAS: Jei sumontuoti galiniai ratai, prieš reguliuodami stabdį, būtinai užfiksuokite galinio rato stabdį.

1. Nuimkite bagažinę arba dubenį ir nulenkite atraminį rėmą.
▶ **Pav.53:** 1. Atraminis rėmas
2. Patraukite stabdžio svirtį, kad atlaisvintumėte stabdžio svirties fiksavimo mygtuką.
▶ **Pav.54:** 1. Fiksavimo mygtukas 2. Stabdžio svirtis

3. Atlaisvinkite reguliavimo įvorę ir fiksuojamąjį veržlę.
▶ **Pav.55:** 1. Reguliavimo įvorė 2. Fiksuojamasis veržlė
4. Priveržkite tik fiksuojamąjį veržlę.
▶ **Pav.56:** 1. Fiksuojamasis veržlė
5. Atlaisvinkite reguliavimo įvorę ir fiksuojamąjį veržlę.
▶ **Pav.57:** 1. Reguliavimo įvorė 2. Fiksuojamasis veržlė
6. Priveržkite tik fiksuojamąjį veržlę.
▶ **Pav.58:** 1. Fiksuojamasis veržlė
7. Įsitikinkite, kad iki galo patraukus stabdžio svirtį ji yra ties pusiaukele iki rankenos. Jei stabdžio svirtis yra ties pusiaukele iki rankenos, pereikite prie 13 veiksmo. Jei stabdžio svirtis nėra ties pusiaukele iki rankenos, pereikite prie 8 veiksmo.
▶ **Pav.59:** 1. Stabdžio svirtis
8. Atlaisvinkite tik fiksuojamąjį veržlę.
▶ **Pav.60:** 1. Fiksuojamasis veržlė
9. Kartu priveržkite fiksuojamąjį veržlę ir reguliavimo įvorę.
▶ **Pav.61:** 1. Reguliavimo įvorė 2. Fiksuojamasis veržlė
10. Atlaisvinkite tik fiksuojamąjį veržlę.
▶ **Pav.62:** 1. Fiksuojamasis veržlė
11. Kartu priveržkite fiksuojamąjį veržlę ir reguliavimo įvorę.
▶ **Pav.63:** 1. Reguliavimo įvorė 2. Fiksuojamasis veržlė
12. Įsitikinkite, kad iki galo patraukus stabdžio svirtį ji yra ties pusiaukele iki rankenos.
▶ **Pav.64:** 1. Stabdžio svirtis
13. Grąžinkite atraminį rėmą ir pritvirtinkite bagažinę arba dubenį.
▶ **Pav.65:** 1. Atraminis rėmas

PASIRENKAMI PRIEDAI

⚠ PERSPĖJIMAS: Šiuos papildomus priedus arba įtaisus rekomenduojama naudoti su šioje instrukcijoje nurodytu „Makita“ bendrovės įrankiu. Naudojant bet kokius kitus papildomus priedus arba įtaisus, gali kilti pavojus sužeisti žmones. Naudokite tik nurodytam tikslui skirtus papildomus priedus arba įtaisus.

Jeigu norite daugiau sužinoti apie tuos priedus, kreipkitės į artimiausią „Makita“ techninės priežiūros centrą.

- Bagažinė
- Dubuo
- Originalūs „Makita“ akumuliatorius ir įkroviklis

PASTABA: Kai kurie sąraše esantys priedai gali būti pateikti įrankio pakuotėje kaip standartiniai priedai. Jie įvairiose šalyse gali skirtis.





TEHNILISED ANDMED

Mudel:		DCU180
Mõõtmed (P × L × K)	Kui kandur on paigaldatud	Töötamise ajal: 1 560 mm × 1 060 mm × 900 mm Hoiundatult: 1 110 mm × 670 mm × 820 mm
	Kui korv on paigaldatud	Töötamise ajal: 1 310 mm × 790 mm × 900 mm Hoiundatult: 1 110 mm × 590 mm × 820 mm
Liikumiskiirus	Edasisuunas	1,5 või 3,5 km/h
	Tagasisuunas	1,0 km/h
Minimaalne pöörderaadius		1 075 mm (välimine diameeter, keerates nii, et esiratas toimib teljena)
Maksimaalne ronimisvõimekus		12°
Maksimaalne kandevõime		130 kg
Pidur	Esiratas	Traadiga ketaspidur
	Tagaratas	Pedaaliga fikseeritud
Rehv	Esiratas	Sisekummita rehv
	Tagaratas	Isetihenduv rehv
Nimipinge		Alalisvool 18 V
Standardne akukassett		BL1815N / BL1820 / BL1820B / BL1830 / BL1830B / BL1840 / BL1840B / BL1850 / BL1850B / BL1860B
Laadija		DC18RC / DC18RD / DC18SD / DC18SE / DC18SF
Netokaal	Kui kandur on paigaldatud	45 kg
	Kui korv on paigaldatud	39–40 kg

- Meie pideva uuringu- ja arendusprogrammi tõttu võidakse tehnilisi andmeid muuta ilma sellest ette teatamata.
- Tehnilised andmed ja akukassett võivad riigiti erineda.
- Kaal võib erineda olenevalt lisaseadistest, kaasa arvatud akukassettist. Kergeim ja raskeim kombinatsioon EPTA-protseduuri 01/2014 kohaselt on toodud tabelis.

Sümbolid

Alljärgnevalt kirjeldatakse seadmetel kasutatavaid tingimärke. Veenduge, et olete nende tähendusest aru saanud enne seadme kasutamist.

	Lugege juhendit.
 Ni-MH Li-Ion	Ainult EL-i riikide puhul Ärge visake elektriseadmeid ja akusid ära koos majapidamisjäätmega! Vastavalt Euroopa Parlamendi ja Nõukogu direktiividele elektri- ja elektroonikaseadmete jäätmete kohta ning patareide ja akude ning patareid- ja akujäätmete kohta ning nende nõuete kohaldamisele liikmesriikides tuleb kasutuskõlbmatuks muutunud elektriseadmed ja akud koguda eraldi ning keskkonnasäästlikult korduv kasutada või ringlusse võtta.
	Tõmmake hoob täielikult alla ja kontrollige, kas kandur või korv on lukustatud.
	Ärge muutke järskudel kallakutel suunda.



Laadige esemed peale ja maha tasasel pinnasel.



Laadige esemed kandurile või korvi ühtlaselt.



Seda masinat ei tohi kasutada avalikult kasutataval teel.



Ärge kasutage inimeste transpordiks.



Ärge jätke vihma kätte.



Piiksumise väljalülitamiseks vabastage lüliti päästik ja tõmmake pidurihooba.

Kavandatud kasutus

Masin on ette nähtud esemete peale laadimiseks ja vedamiseks.

EÜ vastavusdeklaratsioon

Ainult Euroopa riikide puhul

EÜ vastavusdeklaratsioon sisaldub käesoleva juhendi Lisas A.

OHUTUSHOIATUSED

Üldised elektritööriistade ohutushoiatused

▲HOIATUS: Lugege läbi kõik selle elektritööriistaga kaasas olevad ohutushoiatused, juhised, joonised ja tehnilised andmed. Järgnevate juhiste eiramine võib põhjustada elektrilöögi, süttimise ja/või raske kehavigastuse.

Hoidke edaspidisteks viideteks alles kõik hoiatused ja juhtnöörid.

Hoiatustes kasutatud termini „elektritööriist“ all peetakse silmas elektriga töötavaid (juhtmega) elektritööriistu või akuga töötavaid (juhtmata) elektritööriistu.

Akutoitega aiakäru ohutushoiatused

1. Seda masinat ei tohi kasutada avalikult kasutataval teel.
2. Kandke masinaga töötamise ajal alati mittelibisevaid ja kaitsvaid jalatseid. Libisemisvastased, suletud varbaosaga turvasaapad ja -kingad vähendavad vigastuste ohtu.
3. Enne esemete/materjalide vedamist kontrollige tee üle. Kui olete teega tuttav ja kindel, et see on koormaga masina ohutuks juhtimiseks piisavalt lai, aitab see vähendada masina üle kontrolli kaotamise ohtu.
4. Olge libedal, lahtise pinnasega ja ebastabiilsel maastikul eriti ettevaatlik. Märjad ja libedad pinnad, näiteks märg rohuga kaetud ala, lumi või jää ning lahtise pinnaga ja ebastabiilne maastik, näiteks liivased ja kruusaga kaetud pinnad, võivad põhjustada masina haarde kadumise ning mõjutada juhtimist, pidurdamist ja stabiilsust ebasoodsal viisil.
5. Ärge kasutage masinat liiga järskudel kallakutel. See vähendab kontrolli kaotamise, libisemise ja kukkumise ohtu, mis võib põhjustada kehavigastusi. Kallakud, mis on maksimaalsest soovitatavast määrast ja kaasnevast määrast suuremad, võivad suurendada ebastabiilsuse ohtu ja mõjutada ohutu peatumise võimet.
6. Kallakutel töötades veenduge alati, et teie jalgealune oleks kindel, töötage alati kallaku esiküljega risti, mitte kunagi üles või alla, ning olge suunda muutes alati väga ettevaatlik. See vähendab kontrolli kaotamise, libisemise ja kukkumise ohtu, mis võib põhjustada kehavigastusi.
7. Võimaluse korral kasutage peatumiseks, koorma peale ja maha laadimiseks alati tasaseid pindu ning ärge jätke masinat kunagi kallakule järelevalveta. Masin on kallakul seistes ebastabiilsel kui tasasel pinnal seistes.
8. Kallakul peatudes suunake masina esiosa üles- või allamäge ja blokeerige pidurdamata rattad. Masin on kallakuga risti seistes vähem stabiilne. Pidurdamata rattad, eriti rulliku tüüpi, võivad pöörata ja allamäge veereda isegi siis, kui esiratta seisupidur on rakendatud.

9. Jättes masina järelevalveta, rakendage seisupidur kohe, kui masin on ohutule alale paigutatud. Seisupidur hoiab ära esiratta soovimatut liikumise ja võib stabiilsust parandada.
10. Veenduge, et kaldteed oleks puhtad, tugevad ja turvalised. Vigastuste ohu vähendamiseks peavad kõik kaldteed olema ilma lahtise prahita ja piisavalt tugevad, et pidada vastu eeldatavale koormusele, mida neist üle liigutatakse. Nende all ja külgedel peab olema piisav blokeering, et hoida ära koormuse all kõrvalekaldumist ja küljelt-küljele liikumist. Kõik kaldteed peavad olema piisavalt laiad, et koormaid neist üle lükates oleks kindel jalgealune.
11. Vältige kaldteede pikendamist ilma lisakateteta või rööbasteta üle avatud alade. Tõstetud avatud alad ja avatud sooned kutsuvad esile ootamatuid kukkumisi ning suurendavad tõsiste vigastuste tekkimise tõenäosust. Kasutage kaldteedel lisakatteid või rööpaid, et masin ei sõidaks kaldteelt maha.
12. Enne kasutamist veenduge, et kõik fiksaatorkruid oleks tugevalt kinni. Tagaratta fiksaatorkruid ning avatud tüüpi kanduri esi- ja küljeseinad peavad olema kinnitatud, et hoida ära nende reguleeritavate masinaosade soovimatut liikumist.
13. Ärge kasutage masinat kunagi ülekoormatuna. Veenduge, et masinal oleks veetavatele esemetele või materjalidele vastav kandevõime. Üleliigne koorem muudab masina raskemini manööverdavaks ja peatatavaks, suurendab peatumise aega ja teekonda ning ebastabiilsuse ohtu.
14. Ärge kasutage oma masinat kunagi üleliia virmastatuna. Virmastatud materjal, mis ulatub üle aluse serva või üle aluse külgede, võib põhjustada masina mittekontrollitava tasakaalustatuse ja juhitavuse.
15. Kasutage koormate kinnitamiseks ümbriseid ja kinniseid. Lahtised ja/või ebakindlad koormad nihkuvad suurema tõenäosusega paigast ning selle tulemuseks on stabiilsuse ja juhitavuse kadumine.
16. Hoidke alati kindlalt käepidemetest kinni. Kontrolli kaotamine võib suurendada kehavigastuste ohtu.
17. Mittekasutamise korral eemaldage turvavõti. Turvavõti hoiab ära masina soovimatut akutoitega kasutamise, näiteks laste või teiste väljaõppeta või volitamata isikute poolt. Ilma võtmata ei saa elektritoidet sisse lülitada.
18. Kasutage tugevat plaati, millel on libisemis- ja eraldumisvastane funktsioon, kui seda masinat laaditakse transportimiseks peale/maha või liigutatakse erinevate tasandite vahel. Veenduge, et plaadi kalle ei ületaks 12°, ning tegutsege masinaga aeglaselt ja ettevaatlikult. Ebastabiilse ja kiire tegutsemise tulemuseks võib olla ümberminek ja/või kukkumine.
19. Ärge võtke osadeks lahti, parandage ega muutke seda masinat.

Kasutamine

1. Masinat kasutades seiske selle taga ja hoidke tugevalt käepidemetest.
2. Ärge kasutage masinat sellel sõites.
3. Ärge lubage teistel masinal sõita.
4. Kui kasutate masinat tagasisuunas ja tagurpidi kõndides, vaadake enda taha ning olge ettevaatlik, et te ei libiseks ega komistaks.
5. Ärge kasutage masinat halva nähtavuse korral, kuna sel juhul on oht takistuste otsa sõitmiseks.

- Masinat keerulisel pinnasel kasutades vähendage kiirust ja olge ettevaatlik.
- Masinat kasutades vältige pehmet pinnast, et vältida äsberminekut tee serva kokkulange-mise tõttu.
- Ärge kasutage masinat ülespoole suunduvat kallakutel, mille kalle on suurem kui 12°.
- Kui märkate kõrvalekallet, peatage masin tasasel pinnasel. Enne masina kontrollimist tõmmake pidurihooba ja lukustage pidur, see-järel lülitage toide välja.
- Enne masina kasutamist veenduge, et lukus-tushoob oleks täielikult alla tõmmatud ja täieli-kult lukustatud. Kui lukustus ei ole täielik, esineb õnnetuse või vigastuste oht, kuna kandur või korv võib olla kaldus ja esemed võivad allamäge liiku-des kukkuda.
- Olge hoolikas, et juhtmed ei takerduks koorma või takistuste külge.

Töötamine kallakutel

- Ärge sõitke kallakutel ristisuunas.
- Vähendage kiirust ja olge ettevaatlik.
- Masinat kallakutel käivitades või peatades olge ettevaatlik.
- Kuna koorem muutub kallakutel vähem stabiil-seks, kinnitage see kindlalt kõitega.
- Kuna masin muutub ebastabiilseks ole-nevalt tingimustest teel, hoidke koorem minimaalsena.
- Kuna vaateväli on kallakutel varjatud, hoidke koorma kõrgus minimaalsena.
- Ärge kunagi parkige masinat järskudel kallaku-ten. Parkige masin tasasele pinnale, tõmmake pidurihooba ja lukustage pidur, seejärel lüli-tage toide välja.
- Ärge muutke järskudel kallakutel suunda ega kiiruse režiimi.
- Ärge vabastage ülespoole suunatud kallakutel lüliti päästikut. Masin võib tagasisuunas liikuda ja õnnetuse põhjustada.
- Enne kallakutel töötamist veenduge, et aku jääkmahutavus oleks piisav. Kui aku jääkma-hutavus ei ole piisav, laadige akut või vahetage see täislaetud aku vastu.

Esemete pealelaadimine

- Ärge laadige peale liiga palju esemeid. Esemeid laadides järgige juhendis toodud juhiseid ja laadimispiiranguid.
- Kinnitage esemed tugevalt kõitega.
- Laadige esemed kanduri või korvi sisse. Kui esemed tungivad kandurist või korvist välja, on oht välja kukkuvate esemete põhjustatud õnnetuste tekkeks või kokkupuuteks objektidega, näiteks seintega.
- Veenduge, et peale laaditud objektid oleks silmadest allpool. Kui koorem on liiga kõrge, on see ohtlik, kuna vaateväli on varjatud. Samuti esineb ümbermineku- ja vigastusoht, kuna koorem on suure tõenäosusega tasakaalust väljas.
- Laadige esemed kandurile või korvi ühtlaselt. Kui esemed on ebaühtlaselt laaditud, esineb ümbermineku- ja vigastusoht, kuna koorem on suure tõenäosusega tasakaalust väljas.

- Enne esemete pealelaadimist või masina kasutamist veenduge, et lukustushoob oleks täielikult alla tõmmatud ja täielikult lukustatud.
- Laadige rasked objektid tasakaalu hoidmiseks esimesena.
- Ärge pikendage eesmisi ja külgmisi rõõpaid järskudel kallakutel. Pikendage külgmised rõõpaid, kui kerged esemed on peale laaditud.
- Eesmisi ja külgmisi rõõpaid pikendades ärge pikendage neid üle pikendamise piirangu. Pikendage külgmised rõõpaid nii, et parem ja vasak külg oleks sama pikkusega, ja laadige esemed peale ühtlaselt.
- Laadige esemed peale ja maha tasasel pinnasel.
- Kandurit või korvi tõstes ja kallutades hoidke käepidemeid ja raami tugevalt ning töötage stabiilses asendis.

Hooldus

- Parkige masin alati tasasele pinnasele ja lukustage pidurihoob enne hoiundamist, üle-vaatust või hooldust.

HOIDKE JUHEND ALLES.

⚠ HOIATUS: ÄRGE UNUSTAGE järgida toote ohutusnõudeid mugavuse või toote (korduskasu-tamisega saavutatud) hea tundmise tõttu. VALE KASUTUS või kasutusjuhendi ohutuseeskirjade eiramine võib põhjustada tervisekahjustusi.

Akukassetiga seotud olulised ohutusjuhised

- Enne akukasseti kasutamist lugege (1) akulaa-dijal, (2) akul ja (3) seadmel olevad juhtnõidrid ja hoiatused läbi.
- Ärge võtke akukassetti lahti.
- Kui tööaeg järsult lüheneb, siis lõpetage kohe kasutamine. Edasise kasutamise tulemuseks võib olla ülekuumenemisoht, võimalikud põle-tused või isegi plahvatus.
- Kui elektrilüüti satub silma, siis loputage silma puhta veega ja pöörduge koheselt arsti poole. Selline õnnetus võib põhjustada pimedaksjäämist.
- Ärge tekitage akukassetis lühist:
 - Ärge puutuge klemme elektrijuhtidega.
 - Ärge hoidke akukassetti tööriistakastis koos metallesemetega, nagu naelad, mündid jne.
 - Ärge tehke akukassetti märjaks ega jätke seda vihma kätte.
 Aku lühis võib põhjustada tugevat elektri-voolu, ülekuumenemist, põletusi ning ka sea-det tõsiselt kahjustada.
- Ärge hoidke tööriista ja akukassetti kohtades, kus temperatuur võib tõusta üle 50 °C.
- Ärge põletage akukassetti isegi siis, kui see on saanud tõsiselt vigastada või on täiesti kulu-nud. Akukassett võib tules plahvatada.
- Olge ettevaatlik, ärge laske akul maha kukkuda ja vältige lööke.
- Ärge kasutage kahjustatud akut.

10. **Sisalduvatele liitium-ioonakudele võivad kohalduda ohtlike kaupade õigusaktide nõuded.** Kaubanduslikul transportimisel, näiteks kolmandate poolte või transpordiettevõtete poolt, tuleb järgida pakendil ja siltidel toodud erinõudeid. Transportimiseks ettevalmistamisel on vajalik pidada nõu ohtliku materjali eksperdigiga. Samuti tuleb järgida võimalike riiklike regulatsioonide üksikasjalikumaid nõudeid. Katke teibiga või varjake avatud kontaktid ja pakendage aku selliselt, et see ei saaks pakendis liukuda.
11. **Järgige kasutuskõlbatuks muutunud aku käitlemisel kohalikke eeskirju.**

HOIDKE JUHEND ALLES.

⚠ETTEVAATUST: Kasutage ainult Makita originaalakusid. Mitte Makita originaalakude või muudetud akude kasutamine võib põhjustada akude süttimise, kehavigastuse ja kahjustuse. Samuti muudab see kehtetuks Makita tööriista ja laadija Makita garantii.

Vihjeid aku maksimaalse kasutusaja tagamise kohta

1. **Laadige akukassetti enne selle täielikku tühjenemist.** Kui märkate, et tööriist töötab väiksema võimsusega, peatage töö ja laadige akukassetti.
2. **Ärge laadige täielikult laetud akukassetti.** Ülelaadimine lühendab akude kasutusiga.
3. **Laadige akukassetti toatemperatuuril 10 °C - 40 °C.** Enne laadimist laske kuumenenud akukassetil maha jahtuda.
4. **Kui te ei kasuta akukassetti kauem kui kuus kuud, laadige see.**

OSADE KIRJELDUS

Osade kirjeldus (kui kandur on paigaldatud)

► Joon.1

1	Juhtpaneel	2	Käepide
3	Lüliti päästik	4	Akukarp
5	Pidurihoob esirattale	6	Tagaratas
7	Pidurihoob tagarattale	8	Lamp
9	Esiratas	10	Kandur

Osade kirjeldus (kui korv on paigaldatud)

► Joon.2

1	Juhtpaneel	2	Käepide
3	Lüliti päästik	4	Akukarp
5	Pidurihoob esirattale	6	Tagaratas
7	Pidurihoob tagarattale	8	Lamp
9	Esiratas	10	Korv

KOKKUPANEK

⚠ETTEVAATUST: Kandke alati hoolt selle eest, et masin oleks enne igasuguseid hooldustöid välja lülitatud ja akukassett eemaldatud.

Põhikomponendi kokkupanek

1. Võtke aluskomponent ja käepidemed karbist välja.
► **Joon.3**

TÄHELEPANU: Võtke aluskomponent ja käepidemed kindlasti koos välja, nii et juhtmetele ei rakenduks liigset jõudu.

2. Paigutage pakkematerjal aluskomponendi tagumise külje alla.
► **Joon.4:** 1. Pakkematerjal
3. Sisestage tagarattad raami.
► **Joon.5:** 1. Tagaratas
► **Joon.6:** 1. Tagaratas

MÄRKUS: Tagarastaste asemel võib kinnitada tugijalad.

4. Kinnitage vedruseib ja seib lühikese kuuskantpoldi külge ja seejärel pingutage nad, kasutades pakendis olevat mutrivõtit.
► **Joon.7:** 1. Lühike kuuskantpolt 2. Vedruseib 3. Seib
► **Joon.8**

TÄHELEPANU: Kasutage tagarastaste pingutamiseks kindlasti lühikesi kuuskantpolte.

TÄHELEPANU: Kinnitage tagarattad mõlemal küljel samas asendis.

5. Tõstke käepidemed üles, seejärel sisestage nad aluskomponenti.
► **Joon.9**

TÄHELEPANU: Ärge laske juhtmetel sattuda joonisel märgitud alasse „A”. Pikad esemed võivad juhtmetesse takerduda ja õnnetusi põhjustada.

TÄHELEPANU: Ärge rakendage käepidemelt tõstes ja sisestades juhtmetele üleliigset jõudu.

TÄHELEPANU: Tõstke käepidemed mõlema käega üles.

6. Avage kanduri raam ettepoole suunas.
► **Joon.10:** 1. Kanduri raam
7. Voltige käepidemed lahti, seejärel sisestage pikad kuuskantpoldid aluskomponenti ning pingutage mutrid pakendis oleva mutrivõtmega.
► **Joon.11:** 1. Pikk kuuskantpolt
8. Pingutage õlapoldid tagantpoolt, kasutades pakendis olevat mutrivõtit.
► **Joon.12:** 1. Õlapolt
9. Pingutage lühikesed kuuskantpoldid mõlemalt küljelt, kasutades käepidemete kinnitamiseks pakendis olevat mutrivõtit.
► **Joon.13:** 1. Lühike kuuskantpolt

TÄHELEPANU: Ärge pingutage lühikesi kuuskantpolte liigse jõuga. Pingutage neid sobiva jõuga, nii et käepidemed oleks stabiilselt kinnitatud.

TÄHELEPANU: Ärge suruge juhtmeid poltidega kokku.

10. Kinnitage juhtmed klambritega.

► **Joon.14:** 1. Klamber

11. Voltige kanduri raam.

► **Joon.15:** 1. Kanduri raam

12. Vajutage lukustusnuppu, samal ajal piduri lukustamiseks pidurihooba tõmmates.

► **Joon.16:** 1. Lukustusnupp 2. Pidurihoob

⚠ETTEVAATUST: Kui tagarattad on paigaldatud, vajutage tagaratta lukustamiseks tagaratas-tele mõeldud piduripedaali.

13. Kinnitage kanduri lukk konksuga ja seejärel tõmmake lukustushoob kanduri lukustamiseks alla.

► **Joon.17:** 1. Kanduri lukk 2. Lukustushoob

TÄHELEPANU: Veenduge, et lukustushoob oleks kindlalt lukustatud.

TÄHELEPANU: Ärge suruge juhtmeid lukustushoovaga kokku.

MÄRKUS: Kui kinnitate tagarastate asemel tugijalad, eemaldage tagarattad raamidelt ja kinnitage tugijalad raamidele.

► **Joon.18:** 1. Tagaratas 2. Tugijalg

Kanduri kokkupanek ja paigaldamine

Lisatarvik

1. Võtke kandur kastist välja, kinnitage eesmised ja külgmised rööpad alusraamile ning pingutage rööbaste kinnitamiseks tiibmutreid.

► **Joon.19:** 1. Tiibmutter

2. Paigutage kandur aluskomponendile ning sisestage seejärel kuuskantpolidid ja seibid ülevalt raamidesse. Pingutage seibid ja vedruseibid ning liblikmutrid altpoolt, et kandur kinnitada.

► **Joon.20:** 1. Pikk kuuskantpolt 2. Lühike kuuskantpolt 3. Seib 4. Vedruseib 5. Liblikmutter

TÄHELEPANU: Kasutage pikki polte ees ja lühikesi taga.

Korvi paigaldamine

Lisatarvik

Paigutage korv aluskomponendile, sisestage kuuskantpolidid raamidesse, seejärel pingutage seibid ja vedruseibid ning liblikmutrid korvi kinnitamiseks altpoolt.

► **Joon.21:** 1. Kuuskantpolt 2. Seib 3. Vedruseib 4. Liblikmutter

FUNKSIONAALNE KIRJELDUS

Akukasseti paigaldamine või eemaldamine

⚠ETTEVAATUST: Lülitage masin alati enne akukasseti paigaldamist või eemaldamist välja.

⚠ETTEVAATUST: Enne kasutamist lukustage kindlalt akukate. Muidu võivad pori, muld või vesi põhjustada toote või akukasseti kahjustuse.

⚠ETTEVAATUST: Paigaldage akukassett alati täies ulatuses nii, et punane näidik poleks nähtaval. Muidu võib see juhuslikult masinast välja kukkuda ning põhjustada teile või läheduses viibivatele isikutele vigastusi.

⚠ETTEVAATUST: Ärge rakendage akukasseti paigaldamisel jõudu. Kui kassett ei lähe kergesti sisse, pole see õigesti paigaldatud.

⚠ETTEVAATUST: Ärge kasutage kõrge temperatuuriga akukassetti. Kui kasutatakse kõrge temperatuuriga akukassetti, peatub masin automaatselt, enne kui kõlab lühike piiksuv toon, ja võib vigastusi põhjustada.

Akukasseti paigaldamine

1. Pöörake lukustushooba ja seejärel avage akukarbi kate.

► **Joon.22:** 1. Lukustushoob 2. Kate

2. Viige akukasseti keel kohakuti akukarbil asuva pesaga ja lükake kassetti, kuni see klõpsatusega oma kohale kinnitub. Kui näete nupu ülaosas punast näidikut, pole akukassett täielikult lukustunud.

► **Joon.23:** 1. Akukassett

3. Sisestage lukustusvõti joonisel näidatud kohta nii sügavale kui võimalik.

► **Joon.24:** 1. Lukustusvõti

MÄRKUS: Kui lukustusvõti ei ole täielikult sisestatud, siis masin ei tööta.

4. Sulgege akukarbi kate ja seejärel pöörake lukustushooba.

► **Joon.25:** 1. Lukustushoob 2. Kate

Akukasseti eemaldamine

1. Pöörake lukustushooba ja seejärel avage akukarbi kate.

2. Tõmmake akukassett akukarbist välja, lükates samal ajal kasseti esiküljel paiknevat nuppu.

► **Joon.26:** 1. Nupp

3. Tõmmake lukustusvõti välja.

4. Sulgege akukarbi kate ja seejärel pöörake lukustushooba.

Masina/aku kaitsesüsteem

Masin on varustatud masina/aku kaitsesüsteemiga. Süsteem lülitab mootori automaatselt välja, et pikendada masina ja aku tööiga.

Masin seiskub käitamise ajal automaatselt, kui masina või akukasseti kohta kehtib üks järgmistest tingimustest. Enne masina automaatset peatumist kõlab lühike piiksuv heli. Akunäidikud ja LED-näidikud vilguvad, samal ajal kui kõlab piiksuv heli.

Ülekoormuskaitse

Kui masina kasutamise käigus hakkab see tarbima ebaarilikult palju voolu, peatub masin automaatselt ilma igasuguse signaalita. Sellisel juhul lülitage masin välja ja eemaldage ülekoormuse põhjus ning seejärel lülitage masin taaskäivitamiseks sisse.

Ülekuumenemiskaitse

Masina ülekuumenemisel seiskub masin automaatselt. Laske masinal maha jahtuda, enne kui selle uuesti sisse lülitate. Ülekuumenemiskaitse töötab tõenäoliselt kõrge temperatuuriga keskkonnas.

Ülelaadimiskaitse

Kui aku laetuse tase on madal, siis seiskub masin automaatselt. Kui masin ei hakka tööle ka lülitate kasutamisel, eemaldage masinast akukassett ja laadige seda.

Akukasseti vahetamine

► **Joon.27:** 1. Aku valikulüliti

Akukarpi saab paigaldada kuni kaks akukassetti, kuigi masin kasutab töötamiseks üht akukassetti. Enne masina kasutamist valige töötamiseks kasutatav akukassett, vajutades aku valikulülilit numbrit.










TÄHELEPANU: Kui akukarpi on paigaldatud ainult üks akukassett, valige kindlasti akukarp, millesse on akukassett paigaldatud.

Aku jääkmahutavuse näitamine akukarbil

ÄTTEVAATUST: Enne aku järelejäänud mahutavuse kontrollimist või akukasseti vahetamist tuleb masin kindlasti seisata.

► **Joon.28:** 1. Akunäidik 2. Kontrollimise nupp

Aku järelejäänud mahutavuse kontrollimiseks vajutage kontrollimise nuppu. Kummalgi akul on oma akuindikaator.

Akunäidiku olek		Aku jääkmahutavus
Pöleb	Ei põle	
		50–100%
		
		
		
		Aku ei ole paigaldatud

ÄTTEVAATUST: Kui aku jääkmahutavus on väike, kõlab lühike piiksuv heli. Kui jätkate masinaga töötamist aku väikese jääkmahutavusega, kõlab pikk piiksuv heli ja masin peatub automaatselt. Kui kuulete lühikest piiksuvat heli, tõmmake pidurihooba ja lukustage pidur ning seejärel vahetage akukassett laetud aku vastu või laadige akukassett. Kui allesjäänud aku mahutavus saab otsa, peatub masin äkki automaatselt ja võib põhjustada vigastusi.

MÄRKUS: Kui jätkate lüliti päästiku tõmbamist, isegi kui kuulete lühikest piiksuvat heli, peatub masin automaatselt. Kui masin on automaatselt peatunud, piiksuv heli jätkub ja tugipidur (elektripidur) aktiveeritakse. Piiksuva heli tühistamiseks ja tugipiduri vabastamiseks tõmmake pidurihooba ja vabastage lüliti päästik. Ärge lükake masinat jõuga, ilma tugipidurit vabastamata. Pärast tugipiduri vabastamist saate aru, milline akukaitsesüsteem töötab, kontrollides akunäidiku olekut.

► **Joon.29:** 1. Pöleb 2. Vilgub 3. Välja lülitatud 4. Ülekuumenemiskaitse 5. Ülelaadimiskaitse 6. Ülekoormuskaitse

ÄTTEVAATUST: Kui piiksuv heli kõlab kallakutel töötamise ajal või masin peatub automaatselt kallakutel, liigutage masin ohutusse kohta, lukustage pidur ja seejärel vahetage akukassett laetud aku vastu või laadige akukassett.

Kui tegu on suure koormaga ja piiksuv heli kõlab kallakutel töötamise ajal või kui masin peatub automaatselt kallakutel, ärge liigutage masinat jõuga. Lukustage pidur, pöörake tähelepanu ohutusele ja vahetage akukassett laetud aku vastu, seejärel liigutage masin ohutusse kohta. Vähendage enne masina uuesti kasutamist koormat.









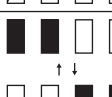
MÄRKUS: Aku jääkmahutavust saate kontrollida ka siis, kui lukustusvõti ei ole sisestatud.

Aku jääkmahutavuse näit

Ainult näidikuga akukasettidele

► **Joon.30:** 1. Märgulambid 2. Kontrollimise nupp

Akukasetti järelejäänud mahutavuse kontrollimiseks vajutage kontrollimise nuppu. Märgulambid süttivad mõneks sekundiks.

Märgulambid			Jääkmahutavus
 Pöleb	 Ei põle	 Vilgub	
			75 - 100%
			50 - 75%
			25 - 50%
			0 - 25%
			Laadige akut.
			Akul võib olla tõrge.

MÄRKUS: Näidatud mahutavus võib veidi erineda tegelikust mahutavusest olenevalt kasutustingimustest ja ümbritseva keskkonna temperatuurist.

Juhtpaneel

► **Joon.31:** 1. Toitenupp 2. Edasi/tagasi liikumise nupp 3. Kiiruse nupp

Toite sisselülitamiseks vajutage mõne sekundi jooksul toitenuppu. Vajutage edasi/tagasi liikumise nuppu, et lülitada edasi- ja tagasisuunas liikumise režiimi vahel. Vajutage kiiruse nuppu, et lülitada väikese ja suure kiiruse vahel. Kui toide on sisse lülitatud, seadistatakse edasiliikumise režiim ja väike kiirus. Toite väljalülitamiseks vajutage mõne sekundi jooksul toitenuppu.

MÄRKUS: Edasi/tagasi liikumise nupp ei ole lülitati päästikut tõmmates kättesaadav.

MÄRKUS: Masinat tagasisuunas kasutades kõlab lühike piiksuv heli.

MÄRKUS: Kiiruse nupp ei ole masinat tagasisuunas liikumiseks kasutades kättesaadav.

Lülitati ja piduri toimimine

⚠HOIATUS: Kontrollige alati enne akukasetti masina külge paigaldamist, kas lülitati päästik funktsioneerib nõuetekohaselt ja liigub lahtilaskmisel tagasi väljalülitatud asendisse.

Masina käivitamiseks tõmmake lülitati päästikut. Masina peatamiseks vabastage lülitati päästik ja tõmmake pidurihooba. Pidurihoova lukustamiseks vajutage pidurihoova tõmbamise ajal lukustusnuppu. Luku vabastamiseks tõmmake pidurihooba.

► **Joon.32:** 1. Lülitati päästik

► **Joon.33:** 1. Lukustusnupp 2. Pidurihoob

Tagaratta pidur

Vasakul küljel asuv tagumine ratas on piduriga varustatud. Piduri lukustamiseks vajutage piduripedaali esiosa suunas. Piduri vabastamiseks vajutage piduripedaali tagaosa suunas.

► **Joon.34:** 1. Pedaal

Eesmistest lampide süütamine

Lampide süütamiseks vajutage akukarbil olevale lambi nupule. Lampide väljalülitamiseks vajutage uuesti lambi nupule.

► **Joon.35:** 1. Lambi nupp 2. Lamp

MÄRKUS: Lambid kustuvad, kui masin jäetakse umbes 10 minutiks järelevalveta.

MÄRKUS: Lambid kustuvad, kui toide on välja lülitatud.

MÄRKUS: Lambid saate süüdata ka siis, kui lukustusvõti ei ole sisestatud.

Käepideme kõrguse reguleerimine

Eemaldage lühikesed kuuskantpoldid ja õlapoldid, kasutades pakendis olevat mutrivõtit, ja seejärel reguleerige käepideme kõrgust. Kõrgust saab reguleerida kolmele tasemele. Pingutage käepideme kinnitamiseks õlapolte ja lühikesi kuuskantpolte.

► **Joon.36:** 1. Lühike kuuskantpolt 2. Õlapolt

TÄHELEPANU: Kinnitage vasak ja parem käepide samale kõrgusele.

TÄHELEPANU: Ärge pingutage lühikesi kuuskantpolte liigse jõuga. Pingutage neid sobiva jõuga, nii et käepidemed oleks stabiilselt kinnitatud.

TÄHELEPANU: Ärge suruge juhtmeid poltidega kokku.

Tagarataste laiuse reguleerimine

Lõdvendage lühikesed kuuskantpoldid, kasutades pakendis olevat mutrivõtit, ja seejärel libistage tagarattad kohale.

► **Joon.37:** 1. Tagaratas

Pingutage lühikesed kuuskantpoldid, kasutades rataste kinnitamiseks pakendis olevat mutrivõtit.

► **Joon.38:** 1. Lühike kuuskantpolt

⚠ETTEVAATUST: Pikendage tagarattaid tasakaalu hoidmiseks maksimaalselt. Kui tagarattad ei ole pikendatud, hoidke koorem minimaalsena.

TÄHELEPANU: Kinnitage tagarattad mõlemal küljel samas asendis.

Kanduri laiuse reguleerimine

Lõdvendage 6 tiibmutrit ning seejärel libistage esimesed ja küljerööpad kohale. Pingutage tiibmutrid ning kinnitage esimesed ja küljerööpad.

► **Joon.39:** 1. Tiibmutter 2. Rööbas

⚠ETTEVAATUST: Ärge libistage küljerööpad üle piirangu märgistuse.

► **Joon.40**

TÖÖRIISTA KASUTAMINE

Masinaga töötamine

TÄHELEPANU: Esirastast veab selle masina akutoide. Kasutage masinat vedamistöödel.

TÄHELEPANU: Sisestage kindlasti lukustusvõti enne töötamist akukarpi. Kui lukustusvõtit ei sisestata, kõlab lüliti päästikut tõmmates lühike piiksuv heli. Piiksuv heli lõpeb, kui vabastate lüliti päästiku ja tõmbate pidurihooba.

1. Valige aku valikulülitiga akukassett.
2. Toite sisselülitamiseks vajutage juhtpaneelil olevat toitenuppu mõne sekundi vältel.
▶ **Joon.41:** 1. Toitenupp

3. Pidurihooba luku vabastamiseks tõmmake pidurihooba.
▶ **Joon.42:** 1. Lukustusnupp 2. Pidurihoob

MÄRKUS: Vabastage tagaratta pidur, kui tagarattad on paigaldatud.

4. Hoidke käepidemeid kindlalt kahe käega.
▶ **Joon.43**
5. Tõmmake lüliti päästikut.
▶ **Joon.44:** 1. Lüliti päästik

Esemete pealeladimine

⚠ETTEVAATUST: Enne esemete masinale laadimist veenduge, et toide oleks väljas ja pidurihoob lukustatud.

⚠ETTEVAATUST: Kui tagarattad on paigaldatud, veenduge enne esemete masinale laadimist, et tagaratta pidur oleks lukustatud.

⚠ETTEVAATUST: Enne esemete masinale laadimist veenduge, et kandur või korv oleks lukustatud.

⚠ETTEVAATUST: Laadige esemed kindlasti kanduri või korvi sisse. Kui esemed ulatuvad kandurist või korvist välja, võivad nad takistusi puudutades kukkuda või kokku variseda.

▶ **Joon.45**

⚠ETTEVAATUST: Laadige esemed kindlasti silmadest allapoole. Kui koorem on liiga kõrge, on see ohtlik, kuna vaateväli on varjatud. Samuti esineb ümbermineku- ja vigastusohu, kuna koorem on suure tõenäosusega tasakaalust väljas.

▶ **Joon.46**

Esemeid kandurisse laadides kinnitage nad kõitega ja siduge need köiekonksude külge.

▶ **Joon.47**

Esemete mahapanek

⚠ETTEVAATUST: Tõstke kandurit või korvi tasasel ja stabiilsel pinnasel. Töötamine ebastabiilsel pinnasel võib põhjustada õnnetuse või vigastuse.

Objekte saate maha panna kandurit või korvi tõeses ja kallutades.

1. Peatage masin ja seejärel lukustage pidurid.

TÄHELEPANU: Soovitatav on esirattad masina stabiiliseerimiseks blokeerida.

2. Vabastage lukustushoob.
3. Seiske masina küljel, hoidke käepidet ühe käega ning seejärel tõstke ja kallutage kandurit või korvi, lükates kanduri raami teise käega üles.
▶ **Joon.48**

⚠ETTEVAATUST: Hoidke käepidet ja kanduri raami tugevalt ning töötage stabiilses asendis.

⚠ETTEVAATUST: Hoidke koorem minimaalsena. Suure koorma korral ärge üritage kandurit tõsta. Vähendage koormat ja seejärel tõstke kandurit.

⚠ETTEVAATUST: Pärast objektide mahapanekut lukustage kindlasti kandur või korv.

HOOLDUS

⚠ETTEVAATUST: Parkige masin alati tasasele pinnasele ja lukustage pidurihoob enne hoiundamist, ülevaatuset või hooldust.

⚠ETTEVAATUST: Kui tagarattad on paigaldatud, veenduge enne hoiundamist, kontrollimist või hooldamist, et tagaratta pidur oleks lukustatud.

⚠ETTEVAATUST: Veenduge alati enne masina hoiundamist, kontrollimist või hooldamist, et lukustusvõti ja akukassett oleksid masinast eemaldatud.

⚠ETTEVAATUST: Kui masinat ei kasutata, eemaldage alati lukustusvõti. Hoidke lukustusvõtit turvalises ja lastele kättesaamatus kohas.

Perioodilised kontrollimised

- Kontrollige, et poldid ja mutrid oleks tugevalt kinnitatud.

▶ **Joon.49**

- Kontrollige, et kandur oleks lukustatud, kui lukustushoob on täielikult alla tõmmatud.

▶ **Joon.50:** 1. Kanduri lukk 2. Lukustushoob

- Kontrollige, et pidurihoob töötaks õigesti.

▶ **Joon.51:** 1. Pidurihoob

⚠ HOIATUS: Kui pidurihoob jõuab hoova tömbamise ajal käepidemeni, ei tööta pidur õigesti. Reguleerige pidurit või pöörduge remontimiseks kohalikkum Makita hoolduskeskusse.

- Kontrollige, ega esiratas ei ole kahjustatud või tühi.

Masina puhastamine

TÄHELEPANU: Ärge kunagi kasutage bensini, vedeldit, alkoholi ega midagi muud sarnast. Selle tulemuseks võib olla luitumine, deformatsioon või pragunemine.

TÄHELEPANU: Masinat jooksva veega puhastades kallake vett kanduri või korvi alla. Ärge kasutage puhastamiseks kõrgsurvepesurit.

Eemaldage masinalt muda, pori ja muu sarnane. Puhastage masinat voolava veega. Pärast puhastamist kuivatage masin kuiva lapiga.

Hoiundamine

Eemaldage lukustusvõti. Hoiundage masinat turvalises ja lastele kättesaamatus kohas.

Masinat hoiundades võib käepidemed ettepoole pöörata. Eemaldage lühikesed kuuskantpolid ja õlapolid, kasutades pakendis olevat mutrivõtit. Pöörake käepidemeid väliskülje poole ja seejärel pöörake käepidemeid ettepoole. Pingutage käepideme kinnitamiseks õlapolte ja lühikesi kuuskantpolte.

► **Joon.52:** 1. Õlapolt 2. Lühike kuuskantpolt

TÄHELEPANU: Ärge pingutage lühikesi kuuskantpolte liigse jõuga. Pingutage neid sobiva jõuga, nii et käepidemed oleks stabiilselt kinnitatud.

TÄHELEPANU: Ärge suruge juhtmeid poltidega kokku.

Piduri reguleerimine

⚠ ETTEVAATUST: Kui tagarattad on paigaldatud, veenduge enne piduri reguleerimist, et tagaratta pidur oleks lukustatud.

1. Eemaldage kandur või korv ja seejärel avage kanduri raam.
► **Joon.53:** 1. Kanduri raam
2. Pidurihoova lukustusnupu vabastamiseks tõmmake pidurihooba.
► **Joon.54:** 1. Lukustusnupp 2. Pidurihoob
3. Lõdvendage reguleerimismuhv ja kinnitusmutter.
► **Joon.55:** 1. Muhvi reguleerimine 2. Kinnitusmutter
4. Pingutage ainult kinnitusmutrit.
► **Joon.56:** 1. Kinnitusmutter
5. Lõdvendage reguleerimismuhv ja kinnitusmutter.
► **Joon.57:** 1. Muhvi reguleerimine 2. Kinnitusmutter
6. Pingutage ainult kinnitusmutrit.
► **Joon.58:** 1. Kinnitusmutter

7. Veenduge, et pidurihoob oleks selle täielikul tõmbamisel poolel teel olevas asendis. Kui pidurihoob on poolel teel olevas asendis, minge sammu 13 juurde. Kui pidurihoob ei ole poolel teel olevas asendis, minge sammu 8 juurde.

► **Joon.59:** 1. Pidurihoob

8. Lõdvendage ainult kinnitusmutter.

► **Joon.60:** 1. Kinnitusmutter

9. Pingutage kinnitusmutrit ja reguleerimismuhvi koos.

► **Joon.61:** 1. Muhvi reguleerimine 2. Kinnitusmutter

10. Lõdvendage ainult kinnitusmutter.

► **Joon.62:** 1. Kinnitusmutter

11. Pingutage kinnitusmutrit ja reguleerimismuhvi koos.

► **Joon.63:** 1. Muhvi reguleerimine 2. Kinnitusmutter

12. Veenduge, et pidurihoob oleks selle täielikul tõmbamisel poolel teel olevas asendis.

► **Joon.64:** 1. Pidurihoob

13. Voltige kanduri raam kokku ja seejärel kinnitage kandur või korv.

► **Joon.65:** 1. Kanduri raam

VALIKULISED TARVIKUD

⚠ ETTEVAATUST: Neid tarvikuid ja lisaseadiseid on soovitatav kasutada koos Makita tööriistaga, mille kasutamist selles kasutusjuhendis kirjeldatakse. Muude tarvikute ja lisaseadiste kasutamisega kaasneb vigastada saamise oht. Kasutage tarvikuid ja lisaseadiseid ainult otstarbekohaselt.

Saate vajaduse korral kohalikkum Makita teeninduskeskusest lisateavet nende tarvikute kohta.

- Kandur
- Korv
- Makita algupärane aku ja laadija

MÄRKUS: Mõned nimekirjas loetletud tarvikud võivad kuuluda standardvarustusse ning need on lisatud tööriista pakendisse. Need võivad riigiti erineda.

ТЕХНИЧЕСКИЕ ХАРАКТЕРИСТИКИ

Модель:		DCU180
Размеры (Д x Ш x В)	Если установлена грузовая тележка	Во время работы: 1 560 мм x 1 060 мм x 900 мм При хранении: 1 110 мм x 670 мм x 820 мм
	Если установлен кузов	Во время работы: 1 310 мм x 790 мм x 900 мм При хранении: 1 110 мм x 590 мм x 820 мм
Скорость передвижения	Передний ход	1,5 или 3,5 км/ч
	Задний ход	1,0 км/ч
Минимальный радиус поворота		1 075 мм (наружный диаметр при повороте с передним колесом в качестве оси)
Максимальный преодолеваемый уклон		12°
Максимальная грузоподъемность		130 кг
Тормоз	Переднее колесо	Дисковый тормоз с тросом
	Заднее колесо	Фиксированный с педалью
Шина	Переднее колесо	Бескамерная шина
	Заднее колесо	Самозаклеивающаяся шина
Номинальное напряжение		18 В пост. тока
Стандартный блок аккумулятора		BL1815N / BL1820 / BL1820B / BL1830 / BL1830B / BL1840 / BL1840B / BL1850 / BL1850B / BL1860B
Зарядное устройство		DC18RC / DC18RD / DC18SD / DC18SE / DC18SF
Масса нетто	Если установлена грузовая тележка	45 кг
	Если установлен кузов	39 - 40 кг

- Благодаря нашей постоянно действующей программе исследований и разработок указанные здесь технические характеристики могут быть изменены без предварительного уведомления.
- Технические характеристики и аккумуляторный блок могут отличаться в зависимости от страны.
- Масса может отличаться в зависимости от дополнительного оборудования. Обратите внимание, что блок аккумулятора также считается дополнительным оборудованием. В таблице представлены комбинации с наибольшим и наименьшим весом в соответствии с процедурой EPTA 01/2014.

СИМВОЛЫ

Ниже приведены символы, используемые для оборудования. Перед использованием убедитесь, что вы понимаете их значение.



Прочитайте руководство по эксплуатации.



Ni-MH
Li-Ion

Только для стран ЕС
Не выбрасывайте электрооборудование или аккумуляторы вместе с бытовым мусором!
В соответствии с европейскими директивами об утилизации электрического и электронного оборудования, о батареях и аккумуляторах, а также использованных батареях и аккумуляторах и их применении в соответствии с местными законами электрооборудование, батареи и аккумуляторы, срок эксплуатации которых истек, должны утилизироваться отдельно и передаваться для утилизации на предприятие, соответствующее применяемым правилам охраны окружающей среды.



Опустите рычаг вниз до упора и убедитесь, что тележка или кузов заблокированы.



Во время работы на крутых склонах не меняйте направление движения.



Производите загрузку и разгрузку на ровной поверхности.



Равномерно загружайте материал в тележку или кузов.



Данная точка не предназначена для использования на проезжих дорогах.



Не используйте для перевозки людей.



Берегите от дождя.



Для отключения звукового сигнала отпустите триггерный переключатель и потяните рычаг тормоза.

Назначение

Тачка предназначена для погрузки и перевозки предметов.

Декларация о соответствии ЕС

Только для европейских стран

Декларация о соответствии ЕС включена в руководство по эксплуатации (Приложение А).

МЕРЫ БЕЗОПАСНОСТИ

Общие рекомендации по технике безопасности для электроинструментов

⚠ ОСТОРОЖНО: Ознакомьтесь со всеми представленными инструкциями по технике безопасности, указаниями, иллюстрациями и техническими характеристиками, прилагаемыми к данному электроинструменту. Несоблюдение каких-либо инструкций, указанных ниже, может привести к поражению электрическим током, пожару и/или серьезной травме.

Сохраните брошюру с инструкциями и рекомендациями для дальнейшего использования.

Термин "электроинструмент" в предупреждениях относится ко всему инструменту, работающему от сети (с проводом) или на аккумуляторах (без провода).

Предупреждения о соблюдении техники безопасности при эксплуатации аккумуляторной самоходной тачки

1. Данная тачка не предназначена для использования на проезжих дорогах.
2. Во время эксплуатации тачки обязательно надевайте нескользящую защитную обувь. Нескользящая защитная обувь с закрытым носком снижает риск получения травмы.
3. Перед перевозкой предметов/материалов проверьте маршрут движения. Ознакомьтесь с маршрутом движения и удостоверьтесь, что проходы достаточно широки для безопасного движения тачки в нагруженном состоянии, т. к. это поможет снизить вероятность потери управления.
4. Соблюдайте особую осторожность при движении по скользкой, рыхлой и нетвердой поверхности. Мокрые и скользкие поверхности, например мокрые травянистые участки, снег или лед, а также рыхлые и нетвердые поверхности, например песок или гравий, могут привести к потере сцепления тачки с поверхностью и негативно повлиять на рулевое управление, торможение и устойчивость.
5. Не используйте тачку на чрезмерно крутых склонах. Это снижает риск потери управления, проскальзывания и падения, что может привести к травме. Склоны с уклоном, превышающим максимальный рекомендуемый уклон, и боковые уклоны способствуют увеличению риска потери устойчивости и могут отрицательно сказаться на возможности безопасной остановки.
6. При работе на склонах всегда крепко стойте на ногах, двигайтесь поперек склона, не двигайтесь вверх или вниз по склону и соблюдайте особую осторожность при изменении направления движения. Это снижает риск потери управления, проскальзывания и падения, что может привести к травме.
7. По мере возможности останавливайтесь и проводите загрузку и разгрузку на ровной поверхности. Никогда не оставляйте тачку на склоне без присмотра. Тачка менее устойчива при остановке на склоне, чем при остановке на ровной поверхности.
8. При остановке тачки на склоне поверните ее так, чтобы она была обращена в сторону вершины или подошвы склона, и заблокируйте колеса без тормозов. Тачка будет менее устойчивой при остановке поперек склона. Колеса без тормозов, особенно колеса роликового типа, могут повернуться и покачаться вниз, даже когда включен стояночный тормоз переднего колеса.
9. Если вы собираетесь оставить тачку без присмотра, остановите ее в безопасной зоне остановки и включите стояночный тормоз. Стояночный тормоз предотвращает нежелательное движение переднего колеса и помогает улучшить устойчивость тачки.
10. Следите за тем, чтобы ramпы были чистыми, прочными и надежными. Чтобы снизить риск получения травмы, все ramпы должны быть очищены от мусора и иметь достаточную прочность, чтобы выдерживать вес перемещаемого по ним груза. Они должны иметь под собой и с обеих сторон соответствующие блоки для опоры и устранения прогибов и поперечного перемещения под нагрузкой. Все ramпы должны быть достаточно широкими, чтобы гарантировать прочную опору при перемещении по ним грузов.
11. Не удлиняйте ramпы без оградительных планок или перил над открытыми пространствами. Расположенные на высоте открытые пространства и открытые траншеи увеличивают вероятность случайных падений и серьезных травм. При работе над открытыми пространствами устанавливайте на ramпы оградительные планки или перила, чтобы тачка не могла съехать с ramпы.
12. Перед использованием тачки убедитесь, что все стопорные винты надежно закреплены. Стопорные винты на задних колесах и передней и боковых стенках тележки открытого типа должны быть надежно закреплены для предотвращения непреднамеренного перемещения этих регулируемых частей тачки.

13. **Запрещается эксплуатировать тачку при перегрузке.** Убедитесь, что тачка имеет надлежащую грузоподъемность для перевозки необходимого объема материала или предметов. При чрезмерных нагрузках тачка становится менее управляемой, затрудняется остановка тачки, увеличиваются дистанция и время торможения, что повышает риск потери устойчивости.
14. **Запрещается эксплуатировать тачку при чрезмерном укладывании материала друг на друга.** Материал, уложенный выше задней стенки тележки или ее боковых сторон, может привести к потере устойчивости и управляемости.
15. **Используйте контейнеры и крепежные устройства для фиксации груза.** Незакрепленный/непрочно закрепленный груз в большей степени предрасположен к смещению, что может привести к потере устойчивости и управляемости.
16. **Всегда крепко держитесь за рукоятки.** Потеря контроля над тачкой может привести к травме.
17. **Когда тачка не используется, извлекайте из нее предохранительный ключ.** Предохранительный ключ предотвращает нежелательное включение тачки, например, детьми или другими неквалифицированными или посторонними лицами. Без ключа на тачку не может быть подано электропитание.
18. **Во время загрузки и/или разгрузки этой тачки используйте надежную противоскользкую платформу с функцией предотвращения отсоединения для транспортировки или перемещения тачки между разными уровнями.** Убедитесь, что угол наклона платформы не превышает 12°, управляйте тачкой медленно и аккуратно. Нестабильное и быстрое управление может привести к опрокидыванию и/или падению.
19. **Запрещается разбирать, ремонтировать или вносить изменения в конструкцию тачки.**

Работа на склонах

1. **Не пересекайте склоны.**
2. **Обязательно уменьшите скорость и соблюдайте осторожность.**
3. **Соблюдайте осторожность во время начала движения и остановки тачки на склонах.**
4. **Поскольку груз становится менее устойчивым на склонах, надежно закрепляйте его тросами.**
5. **Поскольку в зависимости от состояния дороги тачка может стать неустойчивой, сведите количество груза (нагрузку) к минимуму.**
6. **При движении по склонам обзор затруднен, поэтому следует свести к минимуму высоту укладки груза.**
7. **Запрещено ставить тачку на стоянку на крутых склонах.** Остановите тачку на ровной поверхности, нажмите рычаг тормоза, заблокируйте тормоз и выключите питание.
8. **Во время работы на крутых склонах не меняйте направление и скорость движения.**
9. **Не отпускайте триггерный переключатель во время движения вверх по склону.** Тачка может начать движение задним ходом, что может привести к несчастному случаю.
10. **Прежде чем приступить к работе на склоне, убедитесь, что оставшейся емкости аккумулятора достаточно. Если оставшейся емкости аккумулятора недостаточно для работы, зарядите аккумулятор или замените его заряженным.**

Эксплуатация

1. **Во время эксплуатации тачки стойте за ней и крепко держите рукоятки.**
2. **Не включайте тачку, если кто-либо находится на ней.**
3. **Не позволяйте посторонним лицам взбираться на тачку.**
4. **Во время движения тачки задним ходом следите за обстановкой позади вас и соблюдайте осторожность, чтобы не споткнуться и не поскользнуться.**
5. **Не используйте тачку в условиях плохой видимости, т. к. существует риск наезда на препятствия.**
6. **При движении по неровной поверхности уменьшите скорость и соблюдайте осторожность.**
7. **При использовании тачки избегайте мягкого грунта во избежание опрокидывания, вызванного обрушением края дороги.**
8. **Запрещается перемещение тачки вверх по склону, если его уклон составляет больше 12°.**

Работа на склонах

1. **Не пересекайте склоны.**
2. **Обязательно уменьшите скорость и соблюдайте осторожность.**
3. **Соблюдайте осторожность во время начала движения и остановки тачки на склонах.**
4. **Поскольку груз становится менее устойчивым на склонах, надежно закрепляйте его тросами.**
5. **Поскольку в зависимости от состояния дороги тачка может стать неустойчивой, сведите количество груза (нагрузку) к минимуму.**
6. **При движении по склонам обзор затруднен, поэтому следует свести к минимуму высоту укладки груза.**
7. **Запрещено ставить тачку на стоянку на крутых склонах.** Остановите тачку на ровной поверхности, нажмите рычаг тормоза, заблокируйте тормоз и выключите питание.
8. **Во время работы на крутых склонах не меняйте направление и скорость движения.**
9. **Не отпускайте триггерный переключатель во время движения вверх по склону.** Тачка может начать движение задним ходом, что может привести к несчастному случаю.
10. **Прежде чем приступить к работе на склоне, убедитесь, что оставшейся емкости аккумулятора достаточно. Если оставшейся емкости аккумулятора недостаточно для работы, зарядите аккумулятор или замените его заряженным.**

Загрузка материала

1. **Не нагружайте тачку сверх меры. Во время загрузки материала обязательно следуйте инструкциям и не превышайте максимально допустимую нагрузку, указанную в данном руководстве.**
2. **Надежно закрепите груз тросами.**
3. **Загрузка материала в тележку или кузов.** Если загруженный материал выступает из тележки или кузова, существует риск несчастных случаев из-за падения груза или его контакта с препятствиями, например стенами.
4. **Убедитесь, что загруженный материал находится ниже уровня глаз.** Слишком высокое расположение груза на тачке представляет опасность, т. к. перекрывает оператору обзор. Кроме того, существует риск опрокидывания и травмы, поскольку груз с большей вероятностью будет неустойчивым.

5. Равномерно загружайте материал в тележку или кузов. Если материал загружен неравномерно, существует риск опрокидывания и травмы, поскольку груз с большей вероятностью будет неустойчивым.
6. Перед погрузкой или началом эксплуатации тачки убедитесь, что стопорный рычаг полностью опущен и заблокирован.
7. Для сохранения равновесия в первую очередь загружайте тяжелые предметы.
8. Не выдвигайте передний и боковые поручни на крутых склонах. Выдвиньте боковые поручни во время загрузки легких предметов.
9. При выдвигении переднего и боковых поручней не выдвигайте их дальше допустимого предела. Убедитесь, что боковые поручни выдвинуты так, что правая и левая стороны имеют одинаковую длину, равномерно загрузите материал.
10. Загрузка и разгрузка на ровной поверхности.
11. При подъеме и наклоне тележки или кузова крепко держите рукоятки и раму и примите устойчивое положение.

Обслуживание

1. Перед помещением на хранение или выполнением осмотра/технического обслуживания обязательно остановите тачку на ровной поверхности и заблокируйте рычаг тормоза.

СОХРАНИТЕ ДАННЫЕ ИНСТРУКЦИИ.

⚠ОСТОРОЖНО: НЕ ДОПУСКАЙТЕ, чтобы удобство или опыт эксплуатации данного устройства (полученный от многократного использования) доминировали над строгим соблюдением правил техники безопасности при обращении с этим устройством. **НЕПРАВИЛЬНОЕ ИСПОЛЬЗОВАНИЕ** инструмента или несоблюдение правил техники безопасности, указанных в данном руководстве, может привести к тяжелой травме.

Важные правила техники безопасности для работы с аккумуляторным блоком

1. Перед использованием аккумуляторного блока прочитайте все инструкции и предупреждающие надписи на (1) зарядном устройстве, (2) аккумуляторном блоке и (3) инструменте, работающем от аккумуляторного блока.
2. Не разбирайте аккумуляторный блок.
3. Если время работы аккумуляторного блока значительно сократилось, немедленно прекратите работу. В противном случае, может возникнуть перегрев блока, что приведет к ожогам и даже к взрыву.

4. В случае попадания электролита в глаза промойте их обильным количеством чистой воды и немедленно обратитесь к врачу. Это может привести к потере зрения.
5. Не замыкайте контакты аккумуляторного блока между собой:
 - (1) Не прикасайтесь к контактам какими-либо токопроводящими предметами.
 - (2) Не храните аккумуляторный блок в контейнере вместе с другими металлическими предметами, такими как гвозди, монеты и т. п.
 - (3) Не допускайте попадания на аккумуляторный блок воды или дождя.
 Замыкание контактов аккумуляторного блока между собой может привести к возникновению большого тока, перегреву, возможным ожогам и даже поломке блока.
6. Не храните инструмент и аккумуляторный блок в местах, где температура может достигать или превышать 50 °C (122 °F).
7. Не бросайте аккумуляторный блок в огонь, даже если он сильно поврежден или полностью вышел из строя. Аккумуляторный блок может взорваться под действием огня.
8. Не роняйте и не ударяйте аккумуляторный блок.
9. Не используйте поврежденный аккумуляторный блок.
10. Входящие в комплект литий-ионные аккумуляторы должны эксплуатироваться в соответствии с требованиями законодательства об опасных товарах. При коммерческой транспортировке, например, третьей стороной или экспедитором, необходимо нанести на упаковку специальные предупреждения и маркировку. В процессе подготовки устройства к отправке обязательно проконсультируйтесь со специалистом по опасным материалам. Также соблюдайте местные требования и нормы. Они могут быть строже. Закройте или закрепите разомкнутые контакты и упакуйте аккумулятор так, чтобы он не перемещался по упаковке.
11. Выполняйте требования местного законодательства относительно утилизации аккумуляторного блока.

СОХРАНИТЕ ДАННЫЕ ИНСТРУКЦИИ.

⚠ВНИМАНИЕ: Используйте только фирменные аккумуляторные батареи Makita. Использование аккумуляторных батарей, не произведенных Makita, или батарей, которые были подвергнуты модификациям, может привести к взрыву аккумулятора, пожару, травмам и повреждению имущества. Это также автоматически аннулирует гарантию Makita на инструмент и зарядное устройство Makita.

Советы по обеспечению максимального срока службы аккумулятора

1. Заряжайте блок аккумуляторов перед его полной разрядкой. Обязательно прекратите работу с инструментом и зарядите блок аккумуляторов, если вы заметили снижение мощности инструмента.
2. Никогда не подзаряжайте полностью заряженный блок аккумуляторов. Перезарядка сокращает срок службы аккумулятора.
3. Заряжайте блок аккумуляторов при комнатной температуре в 10 - 40 °C (50 - 104 °F). Перед зарядкой горячего блока аккумулятора дайте ему остыть.
4. Зарядите ионно-литиевый аккумуляторный блок, если вы не будете пользоваться инструментом длительное время (более шести месяцев).

ОПИСАНИЕ ДЕТАЛЕЙ

Описание деталей (если установлена грузовая тележка)

► Рис.1

1	Панель управления	2	Рукоятка
3	Триггерный переключатель	4	Аккумуляторный отсек
5	Рычаг тормоза переднего колеса	6	Заднее колесо
7	Педаля тормоза заднего колеса	8	Лампа
9	Переднее колесо	10	Грузовая тележка

Описание деталей (если установлен кузов)

► Рис.2

1	Панель управления	2	Рукоятка
3	Триггерный переключатель	4	Аккумуляторный отсек
5	Рычаг тормоза переднего колеса	6	Заднее колесо
7	Педаля тормоза заднего колеса	8	Лампа
9	Переднее колесо	10	Кузов

СБОРКА

▲ВНИМАНИЕ: Перед проведением каких-либо работ с тачкой обязательно убедитесь, что она отключена, а блок аккумулятора снят.

Сборка основного блока

1. Извлеките из коробки базовый блок и рукоятки.
► Рис.3

ПРИМЕЧАНИЕ: При извлечении базового блока и рукояток не прилагайте слишком большого усилия, чтобы не повредить шнуры.

2. Поместите упаковочный материал под заднюю сторону базового блока.
► Рис.4: 1. Упаковочный материал

3. Вставьте задние колеса в раму.

► Рис.5: 1. Заднее колесо

► Рис.6: 1. Заднее колесо

ПРИМЕЧАНИЕ: Вместо задних колес можно установить опорные ножки.

4. Наденьте пружинную и обычную шайбу на короткий шестигранный болт, а затем затяните их с помощью ключа, входящего в комплект.

► Рис.7: 1. Короткий шестигранный болт

2. Пружинная шайба 3. Шайба

► Рис.8

ПРИМЕЧАНИЕ: Для затяжки задних колес используйте только короткие шестигранные болты.

ПРИМЕЧАНИЕ: Зафиксируйте задние колеса в одном и том же положении с обеих сторон.

5. Поднимите рукоятки и вставьте их в базовый блок.
► Рис.9

ПРИМЕЧАНИЕ: Не допускайте нахождения шнуров в зоне "А", указанной на рисунке. Длинные предметы могут запутаться в шнурах, что может привести к несчастному случаю.

ПРИМЕЧАНИЕ: При подъеме и установке рукояток не допускайте слишком сильного натяжения шнуров.

ПРИМЕЧАНИЕ: Обязательно поднимайте рукоятки обеими руками.

6. Откройте раму тележки по направлению вперед.
► Рис.10: 1. Рама тележки

7. Разверните рукоятки в рабочее положение, вставьте длинные шестигранные болты в базовый блок и затяните гайки ключом, входящим в комплект.
► Рис.11: 1. Длинный шестигранный болт

8. Затяните находящиеся в задней части ступенчатые болты ключом, входящим в комплект.
► Рис.12: 1. Ступенчатый болт

9. Затяните короткие шестигранные болты с обеих сторон ключом, входящим в комплект, чтобы закрепить рукоятки.

► Рис.13: 1. Короткий шестигранный болт

ПРИМЕЧАНИЕ: Не затягивайте слишком сильно короткие шестигранные болты. Затяните их оптимальным усилием, чтобы рукоятки были надежно закреплены.

ПРИМЕЧАНИЕ: Не зажимайте шнуры болтами.

10. Закрепите шнуры зажимами.

► Рис.14: 1. Зажим

11. Сложите раму тележки.

► Рис.15: 1. Рама тележки

12. Одновременно нажмите кнопку блокировки и рычаг тормоза, чтобы заблокировать тормоз.

► Рис.16: 1. Кнопка блокировки 2. Рычаг тормоза

ВНИМАНИЕ: Если на тачке установлены задние колеса, нажмите на педаль тормоза заднего колеса, чтобы заблокировать заднее колесо.

13. Наденьте фиксатор тележки на крючок и потяните вниз стопорный рычаг, чтобы зафиксировать тележку.

► Рис.17: 1. Фиксатор тележки 2. Стопорный рычаг

ПРИМЕЧАНИЕ: Убедитесь, что стопорный рычаг надежно заблокирован.

ПРИМЕЧАНИЕ: Не зажимайте шнуры стопорным рычагом.

ПРИМЕЧАНИЕ: Если вместо задних колес вы желаете установить опорные ножки, снимите задние колеса с рамы, а затем прикрепите опорные ножки к рамам.

► Рис.18: 1. Заднее колесо 2. Опорная ножка

Сборка и установка тележки

Дополнительные принадлежности

1. Извлеките тележку из коробки, прикрепите передний и боковые поручни к опорной раме и затяните накатные гайки для фиксации поручней.

► Рис.19: 1. Накатная гайка

2. Установите тележку на базовый блок и вставьте шестигранные болты и шайбы в рамы сверху. Затяните шайбы, пружинные шайбы и барашковые гайки в нижней части, чтобы зафиксировать тележку.

► Рис.20: 1. Длинный шестигранный болт
2. Короткий шестигранный болт
3. Шайба 4. Пружинная шайба
5. Барашковая гайка

ПРИМЕЧАНИЕ: В передней части используйте длинные болты, а в задней — короткие.

Установка кузова

Дополнительные принадлежности

Установите кузов на базовый блок, вставьте шестигранные болты в рамы, затем снизу затяните шайбы, пружинные шайбы и барашковые гайки для фиксации кузова.

► Рис.21: 1. Шестигранный болт 2. Шайба
3. Пружинная шайба 4. Барашковая гайка

ОПИСАНИЕ РАБОТЫ

Установка или снятие блока аккумулятора

ВНИМАНИЕ: Обязательно выключайте тачку перед установкой и извлечением блока аккумулятора.

ВНИМАНИЕ: Перед использованием убедитесь, что заперли крышку блока аккумулятора. В противном случае грязь, мусор или вода могут повредить изделие или блок аккумулятора.

ВНИМАНИЕ: Обязательно устанавливайте блок аккумулятора до конца, чтобы красный индикатор не был виден. В противном случае блок может выпасть из тачки и нанести травму вам или другим людям.

ВНИМАНИЕ: Не прилагайте чрезмерных усилий при установке блока аккумулятора. Если блок не двигается свободно, значит он вставлен неправильно.

ВНИМАНИЕ: Не используйте высокотемпературный блок аккумулятора. При использовании высокотемпературного блока аккумулятора тачка автоматически останавливается перед тем, как прозвучит короткий звуковой сигнал, что может привести к травме.

Установка блока аккумулятора

1. Поверните стопорный рычаг и откройте крышку аккумуляторного отсека.

► Рис.22: 1. Стопорный рычаг 2. Крышка

2. Выровняйте язычок на блоке аккумулятора с канавкой на аккумуляторном отсеке, затем вставьте блок до щелчка. Если вы можете видеть красный индикатор на верхней части клавиши, то блок аккумулятора не до конца закреплен на месте.

► Рис.23: 1. Блок аккумулятора

3. Вставьте ключ блокировки до упора в точку, показанной на рисунке.

► Рис.24: 1. Ключ блокировки

ПРИМЕЧАНИЕ: Если ключ блокировки вставлен не полностью, тачка не будет работать.

4. Закройте крышку аккумуляторного отсека и поверните стопорный рычаг.

► Рис.25: 1. Стопорный рычаг 2. Крышка

Извлечение блока аккумулятора

1. Поверните стопорный рычаг и откройте крышку аккумуляторного отсека.

2. Потяните блок аккумулятора, удерживая нажатой кнопку на лицевой стороне, и извлеките блок из отсека.

► Рис.26: 1. Кнопка

3. Извлеките ключ блокировки.

4. Закройте крышку аккумуляторного отсека и поверните стопорный рычаг.

Система защиты тачки/аккумулятора

На тачке предусмотрена система защиты тачки/аккумулятора. Данная система автоматически отключает питание двигателя для продления срока службы тачки и аккумулятора.

Тачка автоматически остановится во время работы при возникновении указанных ниже ситуаций, относящихся к тачке или блоку аккумулятора. Перед автоматической остановкой тачки прозвучит короткий звуковой сигнал. Индикаторы аккумулятора и светодиодные индикаторы будут мигать во время звукового сигнала.

Защита от перегрузки

Если из-за способа эксплуатации тачка потребляет очень большое количество тока, она автоматически остановится без включения каких-либо индикаторов. В этом случае выключите тачку и устраните причину перегрузки, а затем включите тачку для повторного запуска.

Защита от перегрева

При перегреве тачка останавливается автоматически. Дайте ей остыть перед повторным включением. Защита от перегрева с большей вероятностью срабатывает в условиях высокой температуры.

Защита от переразрядки

При истощении заряда аккумулятора тачка автоматически останавливается. Если тачка не работает даже после нажатия переключателей, снимите блок аккумулятора и зарядите его.

Переключение блока аккумулятора

► **Рис.27:** 1. Переключатель аккумуляторов

В аккумуляторный отсек можно установить максимум два блока аккумулятора, хотя для работы тачки используется один блок аккумулятора. Перед началом работы выберите блок аккумулятора, нажав номер на переключателе аккумуляторов.

ПРИМЕЧАНИЕ: Если в отсеке аккумулятора установлен только один блок аккумулятора, обязательно выберите отсек, в котором установлен блок аккумулятора.

Индикация оставшейся емкости аккумулятора в аккумуляторном отсеке

ВНИМАНИЕ: Прежде чем проверять оставшуюся емкость аккумулятора или переключаться на другой блок аккумулятора, обязательно остановите тачку.

► **Рис.28:** 1. Индикатор аккумулятора 2. Кнопка проверки

Нажмите кнопку проверки для проверки заряда аккумулятора. Индикаторы соответствуют каждому аккумулятору.

Состояние индикатора аккумуляторной батареи		Уровень емкости аккумулятора
Вкл.	Выкл.	
		50 - 100 %
		20 - 50%
		0 - 20%
		Аккумулятор не установлен

ВНИМАНИЕ: Когда уровень заряда аккумулятора становится низким, раздается короткий звуковой сигнал. Если вы продолжите эксплуатацию тачки с низкой емкостью аккумулятора, прозвучит длинный звуковой сигнал, а тачка автоматически остановится. Когда вы услышите короткий звуковой сигнал, нажмите рычаг тормоза и заблокируйте тормоз, затем переключитесь на заряженный блок аккумулятора или зарядите блок аккумулятора. При полном разряде аккумулятора тачка внезапно автоматически остановится, что может привести к травме.

ПРИМЕЧАНИЕ: Если вы продолжите нажимать на триггерный переключатель, даже если вы услышите короткий звуковой сигнал, тачка остановится автоматически. После автоматической остановки тачки звуковой сигнал продолжит звучать и включится вспомогательный тормоз (электрический тормоз). Чтобы отключить звуковой сигнал и вспомогательный тормоз, нажмите рычаг тормоза и отпустите триггерный переключатель. Не пытайтесь толкать тачку силой, не отключив вспомогательный тормоз. После отключения вспомогательного тормоза вы можете определить, какая система защиты аккумулятора работает, проверив состояние индикатора аккумулятора.

► **Рис.29:** 1. Горит 2. Мигает 3. Не горит 4. Защита от перегрева 5. Защита от переразрядки 6. Защита от перегрузки

▲ВНИМАНИЕ: Если во время движения по склону прозвучит звуковой сигнал или тачка автоматически остановится, переместите ее в безопасное место, заблокируйте тормоз, затем переключитесь на заряженный блок аккумулятора или зарядите блок аккумулятора.

Если при большой нагрузке во время движения по склону прозвучит звуковой сигнал или тачка автоматически остановится, не пытайтесь сдвинуть ее силой. Заблокируйте тормоз, соблюдайте требования техники безопасности, переключитесь на заряженный блок аккумулятора и переместите тачку в безопасное место. Перед возобновлением работы уменьшите нагрузку.









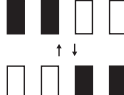
ПРИМЕЧАНИЕ: Вы можете увидеть оставшуюся емкость аккумулятора, даже если ключ блокировки не вставлен.

Индикация оставшегося заряда аккумулятора

Только для блоков аккумулятора с индикатором

► Рис.30: 1. Индикаторы 2. Кнопка проверки

Нажмите кнопку проверки на аккумуляторном блоке для проверки заряда. Индикаторы загорятся на несколько секунд.

Индикаторы			Уровень заряда
			
Горит	Выкл.	Мигает	
			от 75 до 100%
			от 50 до 75%
			от 25 до 50%
			от 0 до 25%
			Зарядите аккумуляторную батарею.
			Возможно, аккумуляторная батарея неисправна.

ПРИМЕЧАНИЕ: В зависимости от условий эксплуатации и температуры окружающего воздуха индикация может незначительно отличаться от фактического значения.

Панель управления

► Рис.31: 1. Кнопка питания 2. Кнопка переднего/заднего хода 3. Кнопка выбора скорости

Чтобы включить питание, нажмите кнопку питания и удерживайте ее в течение нескольких секунд. Нажмите кнопку переднего/заднего хода, чтобы переключиться между режимами переднего и заднего хода. Нажмите кнопку скорости для переключения между низкой и высокой скоростью. При включении питания устанавливаются режимы переднего хода и низкой скорости. Чтобы выключить питание, нажмите кнопку питания и удерживайте ее в течение нескольких секунд.

ПРИМЕЧАНИЕ: Во время нажатия на триггерный переключатель кнопка переднего/заднего хода будет недоступна.

ПРИМЕЧАНИЕ: Во время движения тачки задним ходом издается короткий звуковой сигнал.

ПРИМЕЧАНИЕ: Во время движения тачки задним ходом кнопка выбора скорости будет недоступна.

Использование переключателя и тормоза

▲ОСТОРОЖНО: Перед установкой блока аккумулятора в тачку обязательно убедитесь, что триггерный переключатель работает должным образом и возвращается в положение "OFF" (ВЫКЛ.) при отпускании.

Для запуска тачки нажмите на триггерный переключатель. Чтобы остановить тачку, отпустите триггерный переключатель и потяните рычаг тормоза. Чтобы заблокировать рычаг тормоза, нажмите на кнопку блокировки, продолжая тянуть рычаг. Чтобы отключить блокировку, потяните рычаг тормоза.

► Рис.32: 1. Триггерный переключатель

► Рис.33: 1. Кнопка блокировки 2. Рычаг тормоза

Тормоз заднего колеса

Заднее левое колесо оборудовано тормозом. Для блокировки тормоза нажмите на переднюю часть педали тормоза. Чтобы отключить тормоз, нажмите на заднюю часть педали тормоза.

► Рис.34: 1. Педаль

Включение передних ламп

Нажмите кнопку подсветки, расположенную на отсеке аккумулятора, чтобы включить лампы. Чтобы выключить лампы, нажмите на кнопку подсветки еще раз.

► Рис.35: 1. Кнопка подсветки 2. Лампа

ПРИМЕЧАНИЕ: Лампы гаснут, если тачка остается без присмотра в течение приблизительно 10 минут.

ПРИМЕЧАНИЕ: Лампы также гаснут при отключении питания.

ПРИМЕЧАНИЕ: Вы можете включить лампы, даже если ключ блокировки не вставлен.

Регулировка высоты рукоятки

Снимите короткие шестигранные болты и ступенчатые болты ключом, входящим в комплект, и отрегулируйте высоту рукоятки. Вы можете установить один из трех уровней высоты. Затяните короткие шестигранные болты и ступенчатые болты, чтобы зафиксировать рукоятку.

- **Рис.36:** 1. Короткий шестигранный болт
2. Ступенчатый болт

ПРИМЕЧАНИЕ: Зафиксируйте левую и правую рукоятки на одинаковой высоте.

ПРИМЕЧАНИЕ: Не затягивайте слишком сильно короткие шестигранные болты. Затяните их оптимальным усилием, чтобы рукоятки были надежно закреплены.

ПРИМЕЧАНИЕ: Не зажимайте шнуры болтами.

Регулировка ширины задних колес

Ослабьте короткие шестигранные болты ключом, входящим в комплект, и сдвиньте задние колеса.

- **Рис.37:** 1. Заднее колесо

Затяните короткие шестигранные болты ключом, входящим в комплект, чтобы закрепить колеса.

- **Рис.38:** 1. Короткий шестигранный болт

ВНИМАНИЕ: Максимально выдвиньте задние колеса, чтобы обеспечить устойчивость. Если задние колеса не выдвинуты, сведите количество груза (нагрузку) к минимуму.

ПРИМЕЧАНИЕ: Зафиксируйте задние колеса в одном и том же положении с обеих сторон.

Регулировка ширины тележки

Ослабьте 6 накатных гаек, а затем сдвиньте передний и боковые поручни. Затяните накатные гайки, чтобы зафиксировать передний и боковые поручни.

- **Рис.39:** 1. Накатная гайка 2. Поручень

ВНИМАНИЕ: Не сдвигайте поручни дальше ограничительной отметки.

- **Рис.40**

ЭКСПЛУАТАЦИЯ

Эксплуатация тачки

ПРИМЕЧАНИЕ: Переднее колесо приводится в движение аккумулятором тачки. Используйте данную тачку для транспортировки различных грузов/материалов.

ПРИМЕЧАНИЕ: Перед началом эксплуатации тачки обязательно вставьте ключ блокировки в аккумуляторный отсек. В случае отсутствия ключа блокировки при нажатии на триггерный переключатель прозвучит короткий звуковой сигнал. Звуковой сигнал отключится, как только оператор отпустит триггерный переключатель и нажмет на рычаг тормоза.

1. С помощью переключателя аккумуляторов выберите блок аккумулятора.
2. Нажмите кнопку питания, расположенную на приборной панели, и удерживайте ее в течение нескольких секунд, чтобы включить питание.
► **Рис.41:** 1. Кнопка питания
3. Потяните рычаг тормоза, чтобы отключить блокировку рычага тормоза.
► **Рис.42:** 1. Кнопка блокировки 2. Рычаг тормоза

ПРИМЕЧАНИЕ: Если на тачке установлены задние колеса, отключите тормоз заднего колеса.

4. Крепко держите рукоятки обеими руками.
► **Рис.43**
5. Нажмите на триггерный переключатель.
► **Рис.44:** 1. Триггерный переключатель

Загрузка материала

ВНИМАНИЕ: Перед загрузкой тачки убедитесь, что питание выключено и рычаг тормоза заблокирован.

ВНИМАНИЕ: Если на тачке установлены задние колеса, перед ее загрузкой убедитесь, что тормоз заднего колеса заблокирован.

ВНИМАНИЕ: Перед загрузкой тачки убедитесь, что тележка или кузов зафиксированы.

ВНИМАНИЕ: Убедитесь, что загруженные предметы не выступают за пределы тележки или кузова. Если загруженные предметы выступают за пределы тележки или кузова, они могут упасть или опрокинуться в случае соприкосновения с какими-либо препятствиями.

- **Рис.45**

ВНИМАНИЕ: Убедитесь, что загруженные материалы/предметы находятся ниже уровня глаз. Слишком высокое расположение груза на тачке представляет опасность, т. к. перекрывает оператору обзор. Кроме того, существует риск опрокидывания и травмы, поскольку груз с большей вероятностью будет неустойчивым.

► Рис.46

При загрузке предметов на тележку закрепите их тросами и веревочными крюками.

► Рис.47

Разгрузка

▲ВНИМАНИЕ: Поднимайте тележку или кузов, когда тачка находится на ровной и твердой поверхности. Разгрузка на нетвердой поверхности может привести к несчастному случаю или травме.

Вы можете выгрузить объекты/материалы, подняв и наклонив тележку или кузов.

1. Остановите тачку и заблокируйте тормоза.

ПРИМЕЧАНИЕ: Для придания тачке большей устойчивости рекомендуется заблокировать переднее колесо.

2. Отпустите стопорный рычаг.

3. Встаньте сбоку от тачки, держите рукоятку одной рукой, а затем поднимите и наклоните тележку или кузов, толкая раму тележки вверх другой рукой.

► Рис.48

▲ВНИМАНИЕ: Крепко держите рукоятку и раму тележки, работайте, находясь в устойчивом положении.

▲ВНИМАНИЕ: Сведите количество груза в тачке (нагрузку) к минимуму. Если нагрузка слишком велика, не пытайтесь поднять тележку. Уменьшите нагрузку и затем поднимите тележку.

▲ВНИМАНИЕ: После осуществления разгрузки зафиксируйте тележку или кузов.

ОБСЛУЖИВАНИЕ

▲ВНИМАНИЕ: Перед помещением на хранение или выполнением осмотра/технического обслуживания обязательно остановите тачку на ровной поверхности и заблокируйте рычаг тормоза.

▲ВНИМАНИЕ: Если на тачке установлены задние колеса, перед помещением на хранение или выполнением осмотра/технического обслуживания убедитесь, что тормоз заднего колеса заблокирован.

▲ВНИМАНИЕ: Перед помещением тачки на хранение или выполнением осмотра/технического обслуживания обязательно извлекайте ключ блокировки и блок аккумулятора.

▲ВНИМАНИЕ: Если тачка не используется, обязательно извлеките ключ блокировки. Храните ключ блокировки в безопасном месте, недоступном для детей.

Периодические проверки

• Проверьте надежность затяжки болтов и гаек.

► Рис.49

• Проверьте фиксацию тележки при полном опускании стопорного рычага.

► Рис.50: 1. Фиксатор тележки 2. Стопорный рычаг

• Проверьте исправное функционирование рычага тормоза.

► Рис.51: 1. Рычаг тормоза

▲ОСТОРОЖНО: Если рычаг тормоза доходит до рукоятки при полном нажатии рычага, тормоз не работает должным образом. Отрегулируйте тормоз или обратитесь в местный сервисный центр Makita для ремонта.

• Проверьте переднее колесо на наличие повреждений и проколов.

Очистка тачки

ПРИМЕЧАНИЕ: Запрещается использовать бензин, растворители, спирт и другие подобные жидкости. Это может привести к обесцвечиванию, деформации и трещинам.

ПРИМЕЧАНИЕ: При очистке тачки проточной водой подавайте воду под тележку или кузов. Не используйте для очистки водоструйный аппарат высокого давления.

Удалите грязь, грунт и прочие загрязнения с тачки. Очистите тачку проточной водой. После очистки протрите тачку сухой тканью.

Хранение

Извлеките ключ блокировки. Храните тачку в безопасном месте, недоступном для детей.

При хранении тачки рукоятки можно повернуть вперед. Снимите короткие шестигранные болты и ступенчатые болты ключом, входящим в комплект. Поверните рукоятки наружу, а затем поверните их вперед. Затяните короткие шестигранные болты и ступенчатые болты, чтобы зафиксировать рукоятки.

► Рис.52: 1. Ступенчатый болт 2. Короткий шестигранный болт

ПРИМЕЧАНИЕ: Не затягивайте слишком сильно короткие шестигранные болты. Затяните их оптимальным усилием, чтобы рукоятки были надежно закреплены.

ПРИМЕЧАНИЕ: Не зажимайте шнуры болтами.

Регулировка тормоза

⚠ ВНИМАНИЕ: Если на тачке установлены задние колеса, перед регулировкой тормоза убедитесь, что тормоз заднего колеса заблокирован.

1. Снимите тележку или кузов, затем откройте раму тележки.
▶ **Рис.53:** 1. Рама тележки
2. Потяните рычаг тормоза, чтобы разблокировать кнопку блокировки рычага тормоза.
▶ **Рис.54:** 1. Кнопка блокировки 2. Рычаг тормоза
3. Ослабьте регулировочную втулку и фиксирующую гайку.
▶ **Рис.55:** 1. Регулировочная втулка
2. Фиксирующая гайка
4. Затяните только фиксирующую гайку.
▶ **Рис.56:** 1. Фиксирующая гайка
5. Ослабьте регулировочную втулку и фиксирующую гайку.
▶ **Рис.57:** 1. Регулировочная втулка
2. Фиксирующая гайка
6. Затяните только фиксирующую гайку.
▶ **Рис.58:** 1. Фиксирующая гайка
7. Убедитесь, что рычаг тормоза при полном нажатии останавливается на половине хода. Если рычаг тормоза останавливается на половине хода, перейдите к шагу 13. Если рычаг тормоза не останавливается на половине хода, перейдите к шагу 8.
▶ **Рис.59:** 1. Рычаг тормоза
8. Ослабьте только фиксирующую гайку.
▶ **Рис.60:** 1. Фиксирующая гайка
9. Затяните фиксирующую гайку и регулировочную втулку.
▶ **Рис.61:** 1. Регулировочная втулка
2. Фиксирующая гайка
10. Ослабьте только фиксирующую гайку.
▶ **Рис.62:** 1. Фиксирующая гайка
11. Затяните фиксирующую гайку и регулировочную втулку.
▶ **Рис.63:** 1. Регулировочная втулка
2. Фиксирующая гайка
12. Убедитесь, что рычаг тормоза при полном нажатии останавливается на половине хода.
▶ **Рис.64:** 1. Рычаг тормоза
13. Сложите раму тележки и установите тележку или ковш.
▶ **Рис.65:** 1. Рама тележки

ДОПОЛНИТЕЛЬНЫЕ ПРИНАДЛЕЖНОСТИ

⚠ ВНИМАНИЕ: Данные принадлежности или приспособления рекомендуются для использования с инструментом Makita, указанным в настоящем руководстве. Использование других принадлежностей или приспособлений может привести к получению травмы. Используйте принадлежность или приспособление только по указанному назначению.

Если вам необходимо содействие в получении дополнительной информации по этим принадлежностям, свяжитесь с вашим сервис-центром Makita.

- Грузовая тележка
- Кузов
- Оригинальный аккумулятор и зарядное устройство Makita

ПРИМЕЧАНИЕ: Некоторые элементы списка могут входить в комплект инструмента в качестве стандартных приспособлений. Они могут отличаться в зависимости от страны.

Makita Europe N.V. Jan-Baptist Vinkstraat 2,
3070 Kortenberg, Belgium

Makita Corporation 3-11-8, Sumiyoshi-cho,
Anjo, Aichi 446-8502 Japan

www.makita.com

885584-982
EN, SV, NO, FI, LV,
LT, ET, RU
20170428