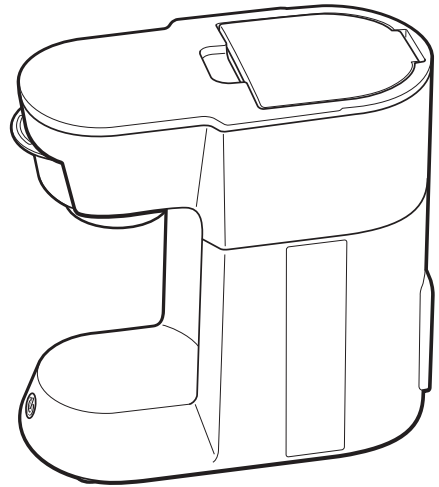




INSTRUCTION MANUAL
MANUEL D'INSTRUCTIONS
MANUAL DE INSTRUCCIONES

Cordless Coffee Maker Machine à Café Sans Fil Cafetera Inalámbrica

DCM500



IMPORTANT: Read Before Using.

IMPORTANT : Lire ce qui suit avant d'utiliser cet outil.

IMPORTANTE: Leer antes de usar.

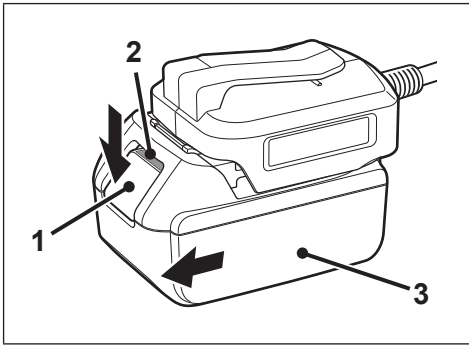
IMPORTANT SAFEGUARDS

When using electrical appliances, basic safety precautions should always be followed to reduce the risk of fire, electric shock and/or injury to persons, including the following:

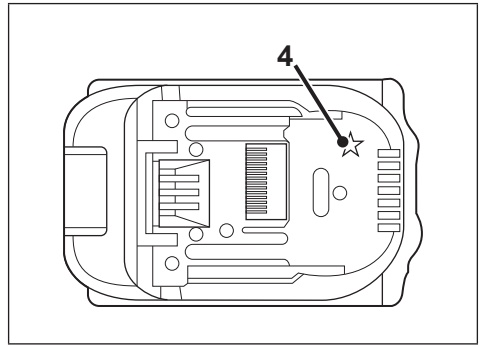
1. Read all instructions.
2. Do not touch hot surfaces.
3. To protect against fire, electric shock, do not immerse cord, plugs, or appliance in water or in any other liquid.
4. Close supervision is necessary when any appliance is used by or near children. Children should be supervised to ensure that they do not play with the appliance.
5. Unplug from outlet when not in use and before cleaning. Allow to cool before putting on or taking off parts, and before cleaning the appliance.
6. Do not operate any appliance with a damaged cord or plug after the appliance malfunctions, or has been damaged in any manner. Return appliance to the nearest authorized service facility for examination, repair or adjustment.
7. The use of accessory attachments not recommended by the appliance manufacturer may result in fire, electric shock or injury to persons.
8. Do not let cord hang over edge of table or counter, or touch hot surfaces.
9. Do not place on or near a hot gas or electric burner, or in a heated oven.
10. Always attach plug to appliance first, then plug cord into wall outlet. To disconnect, turn any control to "off," then remove plug from wall outlet.
11. Do not use appliance for other than intended use.
12. Do not open the water tank lid during the brewing cycles.
13. Scalding may occur if the filter holder is removed during the brewing cycles.
14. Place the appliance on a hard, flat level surface to avoid interruption of airflow underneath the appliance.
15. **WARNING!** To reduce the risk of fire or electric shock, do not remove the bottom cover. No user serviceable parts inside. Service and repair should only be performed by an authorized service center.
16. Disconnect the battery cartridge from the appliance before making any adjustments, changing accessories, or storing appliance. Such preventive safety measures reduce the risk of starting the appliance accidentally.
17. Recharge only with the charger specified by the manufacturer. A charger that is suitable for one type of battery cartridge may create a risk of fire when used with another battery cartridge.
18. Use appliances only with specifically designated battery cartridges. Use of any other battery cartridges may create a risk of injury and fire.
19. When battery cartridge is not in use, keep it away from other metal objects, like paper clips, coins, keys, nails, screws or other small metal objects, that can make a connection from one terminal to another. Shorting the battery terminals together may cause burns or a fire.
20. Under abusive conditions, liquid may be ejected from the battery; avoid contact. If contact accidentally occurs, flush with water. If liquid contacts eyes, additionally seek medical help. Liquid ejected from the battery may cause irritation or burns.
21. Do not use a battery cartridge or appliance that is damaged or modified. Damaged or modified batteries may exhibit unpredictable behavior resulting in fire, explosion or risk of injury.

22. Do not expose a battery cartridge or appliance to fire or excessive temperature. Exposure to fire or temperature above 130°C (265°F) may cause explosion.
23. Have servicing performed by a qualified repair person using only identical replacement parts. This will ensure that the safety of the product is maintained.
24. Do not use outdoors.
25. Do not start the appliance if the cord or plug is damaged or if it does not work correctly.
26. Repairs and cord replacements must be cared out exclusively by an authorised service center.
27. This appliance is not intended for use by persons (including children) with reduced physical, sensory or mental capabilities, or lack of experience and knowledge, unless they have been given supervision or instruction concerning use of the appliance by a person responsible for their safety.
28. To reduce the risk of fire or electrical shock, do not remove any of the lids; there are no parts in the inside that may be handled by the user.
29. a) A short power-supply cord (or detachable power-supply cord) is to be provided to reduce risks resulting from becoming entangled in or tripping over a longer cord.
b) Longer detachable power-supply cords or extension cords are available and may be used if care is exercised in their use.
c) If a long detachable power-supply cord or extension cord is used:
 - 1) The marked electrical rating of the detachable power-supply cord or extension cord should be at least as great as the electrical rating of the appliance;
 - 2) If the appliance is of the grounded type, the extension cord should be a grounding type 3-wire cord; and
 - 3) The longer cord should be arranged so that it will not drape over the counter top or table top where it can be pulled on by children or tripped over.
30. This appliance is designed exclusively for domestic use. Household use only.
CLEAN THE COFFEE MAKER BEFORE USING IT FOR THE FIRST TIME.

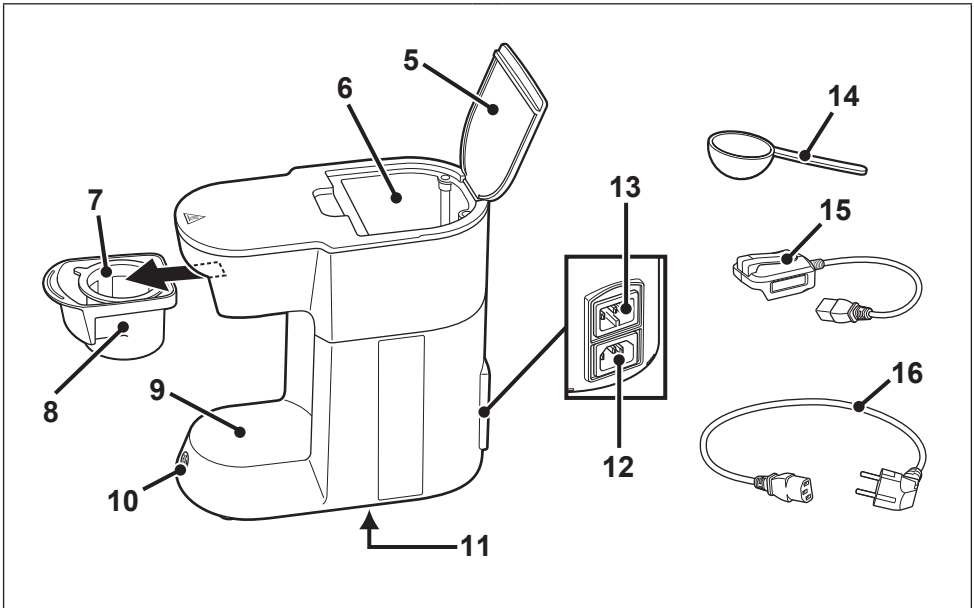
SAVE THESE INSTRUCTIONS.



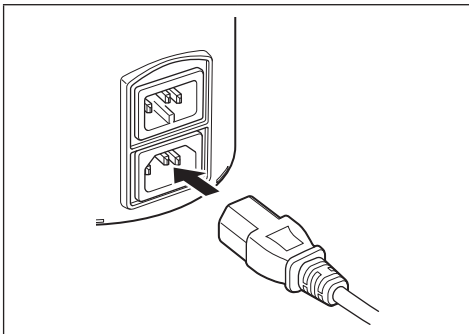
A



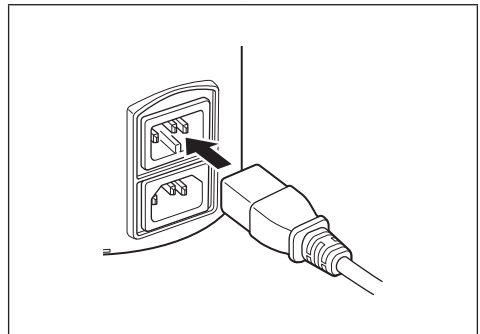
B



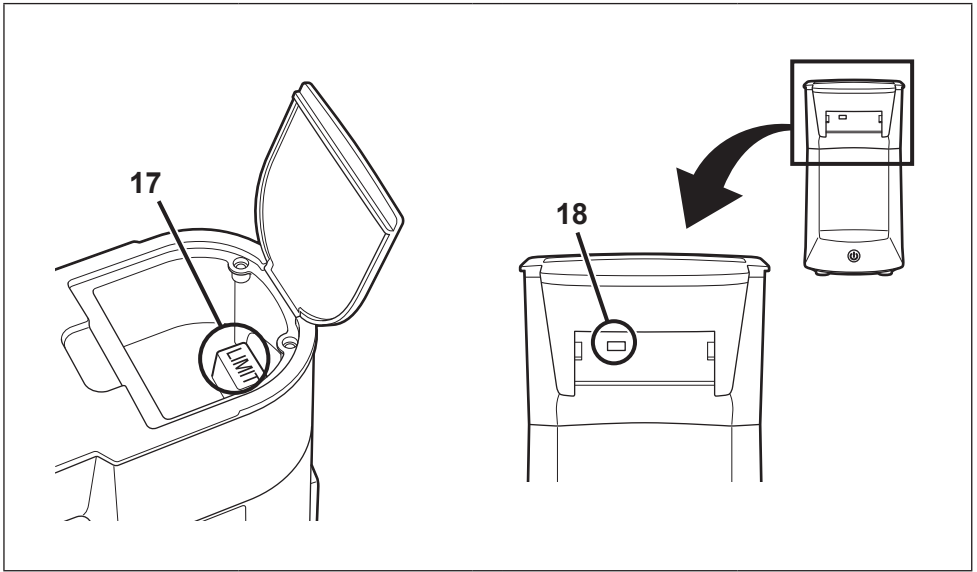
C



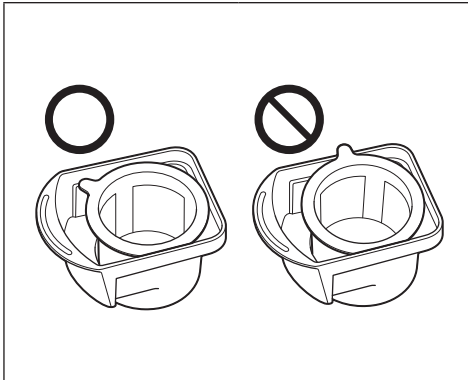
D



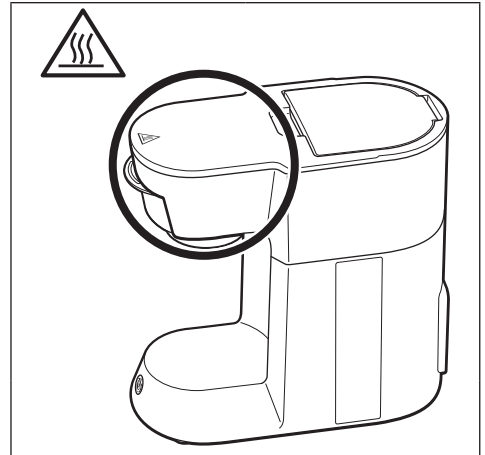
E



F



G



H

IMPORTANT SAFETY INSTRUCTIONS

FOR BATTERY CARTRIDGE

1. Before using battery cartridge, read all instructions and cautionary markings on (1) battery charger, (2) battery, and (3) appliance using battery.
2. Do not disassemble battery cartridge.
3. If operating time has become excessively shorter, stop operating immediately. It may result in a risk of overheating, possible burns and even an explosion.
4. If electrolyte gets into your eyes, rinse them out with clear water and seek medical attention right away. It may result in loss of your eyesight.
5. Do not short the battery cartridge:
 - (1) Do not touch the terminals with any conductive material.
 - (2) Avoid storing battery cartridge in a container with other metal objects such as nails, coins, etc.
 - (3) Do not expose battery cartridge to water or rain. A battery short can cause a large current flow, overheating, possible burns and even a breakdown.
6. Do not store the appliance and battery cartridge in locations where the temperature may reach or exceed 50°C (122°F).
7. Do not incinerate the battery cartridge even if it is severely damaged or is completely worn out. The battery cartridge can explode in a fire.
8. Be careful not to drop or strike battery.
9. Do not use a damaged battery.
10. Follow your local regulations relating to disposal of battery.

Tips for maintaining maximum battery life

1. Charge the battery cartridge before completely discharged.
Always stop appliance operation and charge the battery cartridge when you notice less appliance power.
2. Never recharge a fully charged battery cartridge. Overcharging shortens the battery service life.
3. Charge the battery cartridge with room temperature at 10°C - 40°C (50°F - 104°F). Let a hot battery cartridge cool down before charging it.
4. Charge the battery cartridge once in every six months if you do not use it for a long period of time.

Symbols

The following show the symbols used for the appliance. Be sure that you understand their meaning before use.



Dangerous voltage



Pay attention

SPECIFICATIONS

Model	DCM500
Power source	AC (see the nameplate on the appliance for the operating voltage), 50-60 Hz or 18 V DC (using a battery cartridge BL1830, BL1840 or BL1850)
Water tank capacity	150 ml
Dimensions (l/w/h)	8-3/4" x 4-1/2" x 8-3/8" (222 x 115 x 214 mm)
Weight	2.0 lbs (0.9 kg) without cord, battery 3.7 lbs (1.7 kg) with battery

- Due to our continuing program of research and development, the specifications herein are subject to change without notice.
- Specifications and battery cartridge may differ from country to country.
- Weight, with battery cartridge, according to EPTA-Procedure 01/2003

OPERATION

PARTS IDENTIFICATION (Fig. C)

1. Button
2. Red indicator
3. Battery cartridge
4. Star marking
5. Tank lid
6. Water tank
7. Filter
8. Filter holder
9. Cup rest (for up to 3.5 in. (88 mm) tall cups or mugs)
10. Power switch
11. Bottom plate
12. AC power socket
13. DC power socket
14. Measure (a level scoop of coffee: 0.2 oz. (6.5 g))
15. Battery holder
16. AC power cord
17. "LIMIT" island
18. Overflow opening

PREPARATION

When using the appliance first time, or after long period of storage, perform the following steps:

1. Remove all packing materials from the appliance.
2. Clean the appliance exterior and wash the filter and filter holder (refer to the CLEANING section).
3. To clear any residue from the appliance, pour 150 ml of fresh water into the water tank and brew (refer to the BREWING section) without ground coffee in the filter until the water tank is empty. Repeat the same operation at least twice.

USE WITH AC POWER (Fig. D)

Plug the AC power cord into the AC power socket on the appliance, and then into the AC outlet.

NOTE

- Do not plug both the AC power cord and battery holder into the sockets on the appliance at the same time.
- A short power-supply cord is provided to reduce risks resulting from becoming entangled in or tripping over a longer cord. If you use longer detachable power-supply cords or extension cords:
 - Use longer detachable power-supply cords or extension cords with care.
 - Use detachable power-supply cord or extension cord marked with an electrical rating at least as great as the electrical rating of the appliance.
 - Use grounding type 3-wire cord only.
 - Arrange the longer cord so that it will not drape over the counter top or table top where it can be pulled on by children or tripped over.

USE WITH BATTERY

Installing or removing battery cartridge (Fig. A)

CAUTION

- Always switch off the appliance before installing or removing of the battery cartridge.
- **Hold the battery holder and the battery cartridge firmly when installing or removing battery cartridge.** Failure to hold the battery holder and the battery cartridge firmly may cause them to slip off your hands and result in damage to the appliance and battery cartridge and a personal injury.

To remove the battery cartridge, slide it from the battery holder while sliding the button (Fig. A-1) on the front of the cartridge.

To install the battery cartridge, align the tongue on the battery cartridge with the groove in the housing and slip it into place. Insert it all the way until it locks in place with a little click. If you can see the red indicator (Fig. A-2) on the upper side of the button, it is not locked completely.

CAUTION

- Always install the battery cartridge fully until the red indicator (Fig. A-2) cannot be seen. If not, it may accidentally fall out of the battery holder, causing injury to you or someone around you.
- Do not install the battery cartridge forcibly. If the cartridge does not slide in easily, it is not being inserted correctly.

Battery protection system

The appliance is equipped with a battery protection system. This system automatically cuts off power to the appliance to extend battery life.

The appliance will automatically stop during operation if the appliance and/or battery are placed under one of the following conditions:

- Overheated:
 - If the appliance does not start, the battery is overheated. In this situation, let the battery cool before pressing the power switch again.
- Low battery voltage:
 - The remaining battery capacity is too low and the appliance will not operate. In this situation, remove and recharge the battery.

NOTE

- The overheat protection works only with a battery cartridge with a star mark (Fig. B-4).

Connecting the battery holder (Fig. E)

Plug the battery holder into the DC power socket on the appliance.

NOTE

- Do not plug both the AC power cord and battery holder into the sockets on the appliance at the same time.

BREWING

1. Open the water tank lid (Fig. C-5) and pour 150 ml of fresh cold water.

Pour water until the "LIMIT" island (Fig. F-17) just sinks.

NOTE

- Do not pour in too much water, or water may run out of the overflow opening (Fig. F-18).
2. Remove the filter holder (Fig. C-8) with filter (Fig. C-7) from the appliance, put 6.5 gram of ground coffee into the filter using the measure (Fig. C-14), and then reinsert the filter holder in the appliance.

NOTE

- Place the filter correctly in the filter holder (Fig. G-8). Otherwise, the filter holder cannot be inserted correctly.
 - Adjust the amount of ground coffee to your preference.
3. Place a cup on the cup rest (Fig. C-9).
 4. Press the power switch (Fig. C-10).


The power switch lights up and the brewing cycle begins.

When the brewing cycle has ended, the appliance automatically turns off and the power switch light goes off.

NOTE

- To stop brewing, press the power switch (Fig. C-10). The appliance turns off and the power switch light goes off.
- With AC operation, a brewing cycle takes approx. 3 minutes, while with battery operation, it takes approx. 7 minutes (the cycle time varies depending on the amount of water, temperature, and other conditions). The longer the brewing cycle, the stronger the coffee.

CAUTION

- To reduce the risk of scalding, do not remove the filter holder (Fig. C-8) during the brewing cycle.
- When the brewing section marked with  (Fig. H) is steaming, do not touch it.
- Steam builds up under the filter holder (Fig. C-8).
- Do not touch the bottom plate (Fig. C-11) during the brewing cycle.
- After the brewing cycle completes, wait at least 5 minutes before removing the filter holder.
- If another brewing cycle is to be started, wait at least 5 minutes before pouring in cold water. Otherwise, steam and hot water could be released and scalding may result.

CLEANING

Proper maintenance will ensure years of service for your appliance. Clean the appliance after every use to maintain quality coffee flavor.

WARNING

- Do not immerse the appliance, AC power cord, or battery holder in water or other liquids.
1. Unplug the AC power cord/battery holder from the appliance and allow the appliance to cool.

2. Wipe the exterior with a soft cloth moistened with water.

NOTE

- Do not use abrasive cleansers or scouring pads.
3. Remove the filter holder (Fig. C-8) with filter (Fig. C-7) from the appliance, wash them in hot, soapy water, and then rinse them with hot water.
 4. Allow the appliance and all parts to dry completely.

NOTE

- Do not dry the inside of the water tank (Fig. C-6) with a cloth, as lint may remain.

STORAGE

- To prevent fire or burning, allow the appliance to cool down completely before you store it.
- Do not store the discharged battery for long periods, as it can shorten its service life.
- To maintain product SAFETY and RELIABILITY, repairs, any other maintenance or adjustment should be performed by Makita Authorized Service Centers, always using Makita replacement parts.

MAINTENANCE

WARNING

- When servicing is required, ask a Makita authorized service center which deals genuine replacement parts. Use of any other parts may create a hazard or cause product damage.

WARNING

- To avoid serious personal injury, always remove the AC power cord or battery cartridge from the unit when cleaning or performing any maintenance.

GENERAL MAINTENANCE

Never use gasoline, benzine, thinner, alcohol or the like when cleaning plastic parts. Discoloration, deformation or cracks may result. After appliance cooled, use clean clothes to remove dirt, dust, oil, grease etc.

OPTIONAL ACCESSORY

CAUTION

- These accessories or attachments are recommended for use with your appliance specified in this manual. The use of any other accessories or attachments might present a risk of injury to persons. Only use accessory or attachment for its stated purpose.

If you need any assistance for more details regarding these accessories, ask your local Makita Service Center.

- Makita genuine battery and charger

NOTE

- Some items in the list may be included in the appliance package as standard accessories. They may differ from country to country.

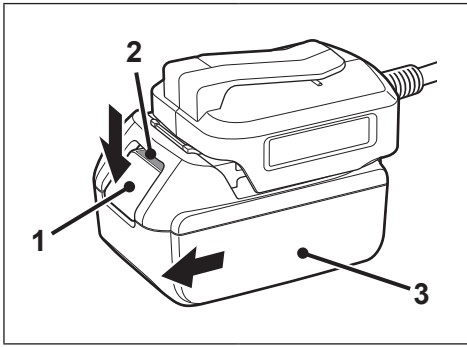
IMPORTANTES MESURES DE SÉCURITÉ

Lors de l'utilisation d'appareils électriques, il importe de toujours prendre des précautions élémentaires de sécurité, dont les suivantes, pour réduire les risques d'incendie, de décharge électrique et/ou de blessure :

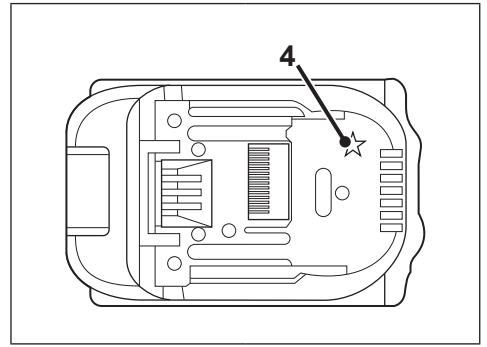
1. Lisez toutes les instructions.
2. Ne touchez pas les surfaces chaudes.
3. Par mesure de protection contre les incendies et les décharges électriques, évitez d'immerger le cordon, ses fiches ou l'appareil dans l'eau ou toute autre liquide.
4. Une surveillance étroite est nécessaire lorsque tout appareil est utilisé près d'enfants ou par des enfants. Les enfants doivent être surveillés, pour s'assurer qu'ils ne jouent pas avec l'appareil.
5. Débranchez l'appareil de la prise de courant lorsqu'il n'est pas utilisé et avant de le nettoyer. Laissez refroidir l'appareil avant de poser ou d'enlever des pièces, et avant de le nettoyer.
6. N'utilisez jamais un appareil dont le cordon ou la fiche a été abîmé suite à un dysfonctionnement ou un dommage quelconque. Confiez l'appareil au centre de service autorisé le plus près pour le faire inspecter, réparer ou régler.
7. L'utilisation d'accessoires non recommandés par le fabricant de l'appareil peut entraîner un incendie, une décharge électrique ou une blessure.
8. Ne laissez pas le cordon pendre sur le bord d'une table ou d'un comptoir, ni toucher des surfaces chaudes.
9. Ne mettez pas l'appareil sur ou près d'un brûleur à gaz ou électrique chaud, ni dans un four chaud.
10. Branchez toujours le cordon sur l'appareil avant de le brancher sur une prise de courant. Pour le débrancher, mettez toutes les commandes en position d'arrêt, puis retirez la fiche de la prise de courant.
11. N'employez pas l'appareil à d'autres usages que celui pour lequel il a été conçu.
12. N'ouvrez pas le couvercle du réservoir d'eau pendant les cycles d'infusion.
13. Il y a risque d'ébouillantage si le porte-filtre est retiré pendant les cycles d'infusion.
14. Mettez l'appareil sur une surface dure, plane et de niveau pour éviter l'interruption de la circulation d'air sous l'appareil.
15. **AVERTISSEMENT !** Pour réduire les risques d'incendie ou de décharge électrique, ne retirez pas le couvercle inférieur. Aucune pièce interne n'est réparable par l'utilisateur. L'entretien et la réparation ne doivent être confiés qu'à un centre de service autorisé.
16. Débranchez la cartouche de batterie de l'appareil avant d'effectuer tout réglage, de remplacer des accessoires ou de ranger l'appareil. Ces mesures de prévention réduiront les risques de démarrage accidentel de l'appareil.
17. Ne rechargez la cartouche de batterie qu'avec le chargeur spécifié par le fabricant. Un chargeur conçu pour un type donné de cartouche de batterie peut créer un risque d'incendie s'il est utilisé avec un autre type de cartouche de batterie.
18. N'utilisez les appareils qu'avec les cartouches de batterie spécifiquement désignées. L'utilisation de toute autre cartouche de batterie peut créer un risque de blessure et d'incendie.

19. Lorsque la cartouche de batterie n'est pas utilisée, rangez-la à l'écart des autres objets métalliques tels que trombones, pièces de monnaie, clés, clous, vis et autres petits objets métalliques pouvant établir la connexion entre deux bornes. Court-circuiter les bornes de batterie peut entraîner des brûlures ou un incendie.
20. Dans des conditions abusives, du liquide peut jaillir de la batterie; évitez tout contact. En cas de contact accidentel, rincez à l'eau. Si le liquide atteint les yeux, consultez aussi un médecin. Le liquide éjecté par la batterie peut causer des irritations ou des brûlures.
21. N'utilisez pas une cartouche de batterie ou un appareil abîmé ou modifié. Le comportement imprévisible des batteries abîmées ou modifiées peut entraîner un incendie, une explosion ou un risque de blessure.
22. N'exposez pas la cartouche de batterie ou l'appareil au feu ou à une température excessive. L'exposition au feu ou à une température supérieure à 130 °C (265 °F) peut entraîner une explosion.
23. L'entretien doit être confié à un réparateur qualifié et n'utilisant que des pièces de rechange identiques aux pièces d'origine. Cela assurera le maintien de l'appareil dans un état sécuritaire.
24. N'utilisez pas l'appareil à l'extérieur.
25. N'allumez pas l'appareil si le cordon ou sa fiche est abîmé, ou s'il ne fonctionne pas bien.
26. Les réparations et le remplacement du cordon doivent être confiés exclusivement à un centre de service autorisé.
27. Cet appareil n'est pas conçu pour être utilisé par des personnes (y compris les enfants) à capacités physiques, sensorielles ou mental réduites, ni par des personnes dont l'expérience et les connaissances sont insuffisantes, à moins qu'elles ne soient surveillées ou guidées dans l'usage de l'appareil par une personne responsable de leur sécurité.
28. Pour réduire les risques d'incendie ou de décharge électrique, ne retirez aucun des couvercles ; aucune pièce interne ne peut être manipulée par l'utilisateur.
29. a) L'appareil doit être doté d'un cordon d'alimentation (ou d'un cordon d'alimentation amovible) court, pour réduire les risques d'enchevêtrement ou de trébuchement que comporte un cordon long.
b) Des cordons d'alimentation plus longs et amovibles ou des rallonges sont disponibles et peuvent être utilisés, à condition qu'ils le soient avec prudence.
c) En cas d'utilisation d'un cordon d'alimentation long et amovible ou d'une rallonge :
 - 1) le courant nominal indiqué sur le cordon d'alimentation amovible ou sur la rallonge doit être au moins aussi élevé que celui de l'appareil ;
 - 2) si l'appareil est conçu pour être mis à la masse, la rallonge doit être de type trifilaire avec fil de terre ; et
 - 3) le cordon plus long doit être placé de manière à ne pas pendre du dessus d'un comptoir ou d'une table, là où des enfants risqueraient de tirer dessus ou de trébucher.
30. Cet appareil est conçu exclusivement pour un usage domestique. Pour usage domestique seulement. NETTOYEZ LA MACHINE À CAFÉ AVANT LA PREMIÈRE UTILISATION.

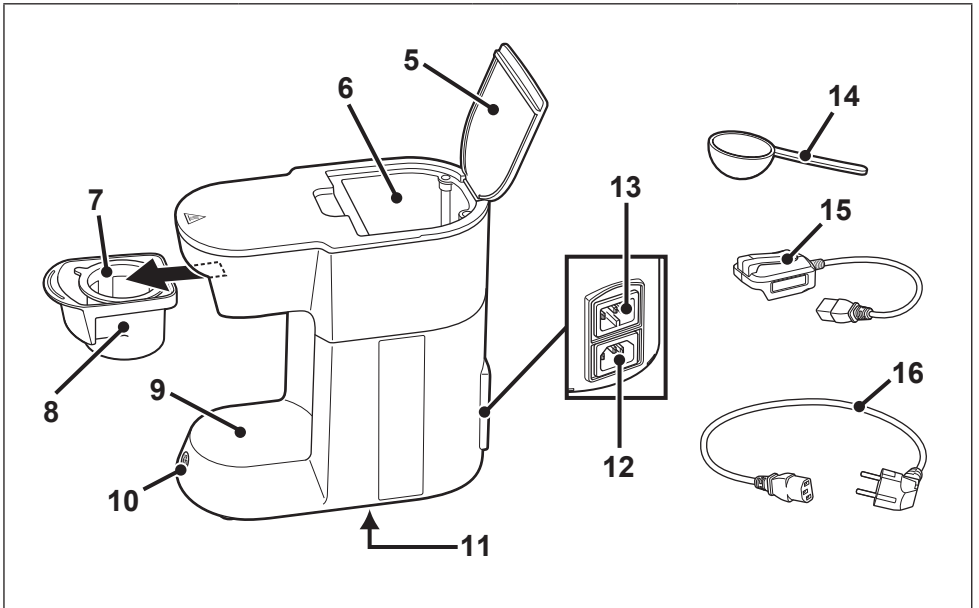
CONSERVEZ CES INSTRUCTIONS.



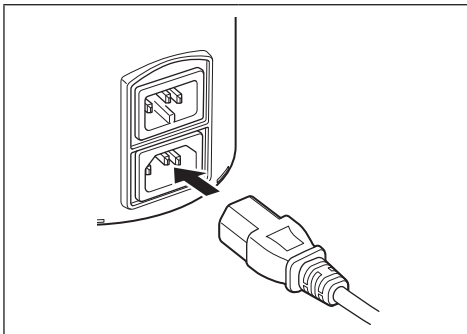
A



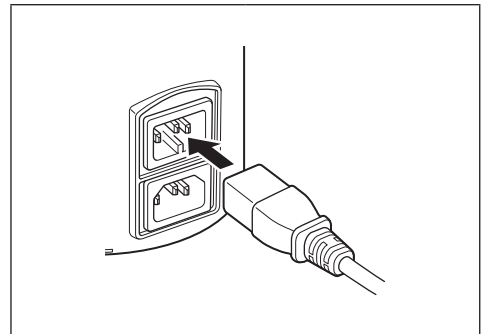
B



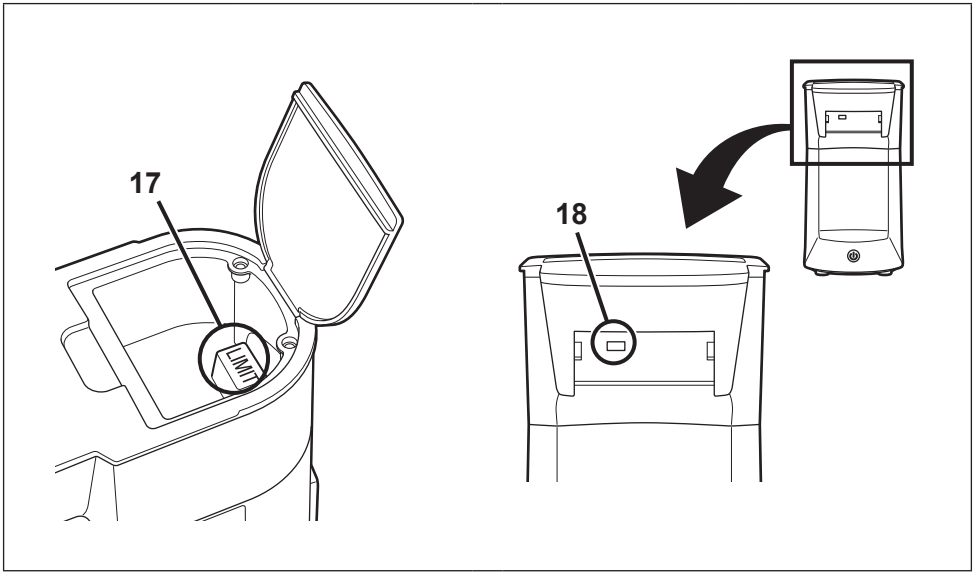
C



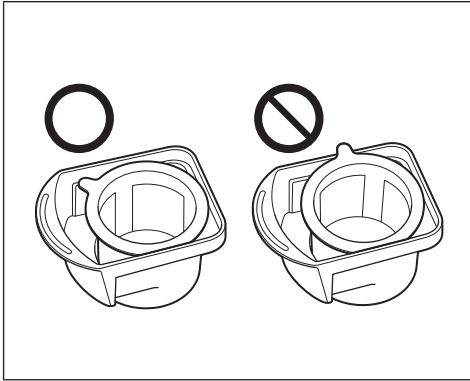
D



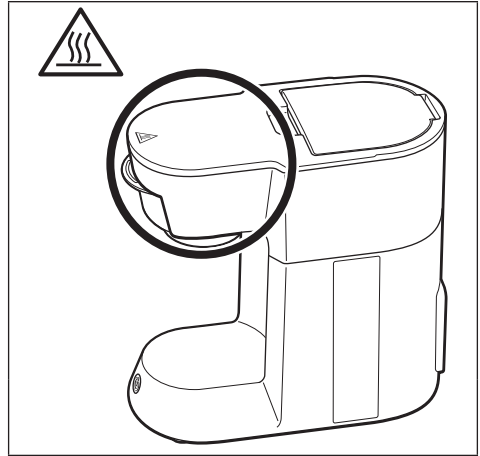
E



F



G



H

IMPORTANTES CONSIGNES DE SÉCURITÉ

POUR CARTOUCHE DE BATTERIE

1. Avant d'utiliser la cartouche de batterie, veuillez lire toutes les instructions et toutes les mises en garde inscrites sur (1) le chargeur de batterie, (2) la batterie et (3) l'appareil alimenté par la batterie.
2. Ne démontez pas la cartouche de batterie.
3. Si la durée de fonctionnement diminue considérablement, cessez immédiatement l'utilisation. Cela comporte un risque de surchauffe et de brûlures, voire d'explosion.
4. Si l'électrolyte pénètre dans vos yeux, rincez-les à l'eau claire et consultez immédiatement un médecin. Il y a risque de perte de la vue.
5. Ne court-circuitez pas la cartouche de batterie :
 - (1) Ne touchez les bornes avec aucun matériau conducteur.
 - (2) Évitez de ranger la cartouche de batterie dans le même contenant que d'autres objets métalliques tels que clous, pièces de monnaie, etc.
 - (3) N'exposez pas la cartouche de batterie à l'eau ou à la pluie.Un court-circuit de batterie peut entraîner un fort courant, une surchauffe, des brûlures, voire un claquage.
6. Ne rangez pas l'appareil et la cartouche de batterie dans les emplacements où la température peut atteindre ou dépasser 50 °C (122 °F).
7. Ne détruisez pas la cartouche de batterie par le feu même si elle est très abîmée ou complètement épuisée. La cartouche de batterie peut exploser au contact des flammes.
8. Évitez soigneusement d'échapper ou de heurter la batterie.
9. N'utilisez pas la batterie si elle est abîmée.
10. Respectez la réglementation locale en matière d'élimination des batteries.

Conseils pour assurer la durée de service maximale de la batterie

1. Chargez la cartouche de batterie avant qu'elle ne soit complètement déchargée. Éteignez toujours l'appareil et chargez la cartouche de batterie lorsque vous remarquez que l'appareil faiblit.
2. Ne rechargez jamais une cartouche de batterie déjà complètement chargée. La surcharge réduit la durée de service de la batterie.
3. Chargez la cartouche de batterie à une température ambiante de 10 °C à 40 °C (50 °F à 104 °F). Avant de charger une cartouche de batterie chaude, laissez-la refroidir.
4. Chargez la cartouche de batterie une fois tous les six mois, si vous la laissez inutilisée pendant une période prolongée.

Symboles

Les symboles utilisés pour l'appareil sont présentés ci-dessous. Assurez-vous d'en avoir bien compris le sens avant d'utiliser l'appareil.



Tension dangereuse



Attention

CARACTÉRISTIQUES TECHNIQUES

Modèle	DCM500
Source d'alimentation	c.a. (pour la tension de fonctionnement, voir la plaque signalétique de l'appareil), 50 à 60 Hz ou 18 V c.c. (avec une cartouche de batterie BL1830, BL1840 ou BL1850)
Capacité du réservoir d'eau	150 ml
Dimensions (l/p/h)	8-3/4" x 4-1/2" x 8-3/8" (222 x 115 x 214 mm)
Poids	2,0 lb (0,9 kg) sans cordon ni batterie 3,7 lb (1,7 kg) avec la batterie

- En raison de notre programme continu de recherche et développement, les présentes caractéristiques techniques peuvent être modifiées sans préavis.
- Les caractéristiques techniques et la cartouche de batterie peuvent varier d'un pays à l'autre.
- Poids, sans cartouche de batterie, selon la procédure 2003/01 de l'EPTA.

UTILISATION

IDENTIFICATION DES PIÈCES (Fig. C)

1. Bouton
2. Témoin rouge
3. Cartouche de batterie
4. Symbole étoilé
5. Couvercle du réservoir
6. Réservoir d'eau
7. Filtre
8. Porte-filtre
9. Support de tasse (pour des tasses ou grandes tasses de 3,5 pouces (88 mm) maximum)
10. Interrupteur d'alimentation
11. Plaque inférieure
12. Prise d'alimentation c.a.
13. Prise d'alimentation c.c.
14. Cuillère à mesurer (une cuillère de café remplie à ras bord : 0,2 oz (6,5 g))
15. Porte-batterie
16. Cordon d'alimentation
17. Îlot « LIMIT »
18. Orifice de trop-plein

PRÉPARATIFS

Lors de la première utilisation de l'appareil, ou après une longue période de rangement, suivre les étapes ci-dessous :

1. Retirez tout le matériel d'emballage de l'appareil.
2. Nettoyez l'extérieur de l'appareil et lavez le filtre et le porte-filtre (reportez-vous à la section NETTOYAGE).
3. Pour enlever toute trace de résidu sur l'appareil, versez 150 ml d'eau douce dans le réservoir d'eau et infusez (reportez-vous à la section INFUSION) sans mettre de café moulu dans le filtre, jusqu'à ce que le réservoir d'eau soit vide. Répétez la même opération au moins deux fois.

UTILISATION AVEC UNE PRISE DE COURANT (Fig. D)

Branchez le cordon d'alimentation dans la prise d'alimentation c.a. de l'appareil, puis dans une prise de courant.

REMARQUE

- Ne branchez pas à la fois le cordon d'alimentation et le porte-batterie dans les prises de l'appareil.
- L'appareil est doté d'un cordon d'alimentation court pour réduire les risques d'enchevêtrement ou de trébuchement que comporte un cordon long. Si vous utilisez un cordon d'alimentation amovible et plus long ou une rallonge :
 - Utilisez le cordon d'alimentation amovible et plus long ou la rallonge avec prudence.
 - Utilisez un cordon d'alimentation amovible ou une rallonge dont le courant nominal indiqué est au moins aussi élevé que celui de l'appareil.
 - Utilisez uniquement un cordon trifilaire avec fil de terre.
 - Disposez le cordon plus long de sorte qu'il ne pende pas du dessus d'un comptoir ou d'une table, là où des enfants risqueraient de tirer dessus ou de trébucher.

UTILISATION AVEC LA BATTERIE

Pose ou retrait de la cartouche de batterie (Fig. A)

MISE EN GARDE

- Éteignez toujours l'appareil avant de poser ou de retirer la cartouche de batterie.
- **Tenez fermement le porte-batterie et la cartouche de batterie lorsque vous posez ou retirez la cartouche de batterie.** Si vous ne tenez pas fermement le porte-batterie et la cartouche de batterie, ils risquent de vous glisser des mains, ce qui peut entraîner des dommages à l'appareil et à la cartouche de batterie, et causer une blessure.

Pour retirer la cartouche de batterie, faites-la glisser du porte-batterie tout en glissant le bouton (Fig. A-1) à l'avant de la batterie.

Pour poser la cartouche de batterie, alignez sa languette sur la rainure du boîtier, et glissez la cartouche en place. Insérez-la à fond, jusqu'à ce qu'elle se verrouille avec un léger bruit sec. Si le témoin rouge (Fig. A-2) est visible sur la face supérieure du bouton, la cartouche de batterie n'est pas parfaitement verrouillée.

MISE EN GARDE

- Posez toujours la cartouche de batterie en l'insérant à fond, jusqu'à ce que le témoin rouge (Fig. A-2) ne soit plus visible. Autrement elle risque de tomber accidentellement du porte-batterie, ce qui comporte un risque de blessure pour vous-même et pour les personnes présentes.
- Ne forcez pas pour poser la cartouche de batterie. Si la cartouche ne glisse pas facilement, c'est qu'elle n'est pas insérée correctement.

Dispositif de protection de la batterie

Cet appareil est doté d'un dispositif de protection de la batterie. Ce dispositif coupe automatiquement le courant sur l'appareil pour prolonger la durée de service de la batterie.

L'appareil s'arrêtera automatiquement si l'appareil et/ou la batterie se trouve dans l'une ou l'autre des situations suivantes.

- **Surchauffé :**
 - Si l'appareil ne démarre pas, c'est que la batterie est surchauffée. Dans ce cas, laissez refroidir la batterie avant d'appuyer de nouveau sur l'interrupteur d'alimentation.
- **Faible tension de la batterie :**
 - La charge restante de la batterie est trop basse et l'appareil ne fonctionne pas. Dans ce cas, retirez et rechargez la batterie.

REMARQUE

- La protection contre la surchauffe ne fonctionne que si la cartouche de batterie porte un symbole étoilé (Fig. B-4).

Connecter le porte-batterie (Fig. E)

Branchez le porte-batterie dans la prise d'alimentation c.c. de l'appareil.

REMARQUE

- Ne branchez pas à la fois le cordon d'alimentation et le porte-batterie dans les prises de l'appareil.

INFUSION

1. Ouvrez le couvercle du réservoir d'eau (Fig. C-5) et versez 150 ml d'eau douce froide.
Versez l'eau jusqu'à ce qu'elle recouvre à peine l'ilot « LIMIT » (Fig. F-17).


REMARQUE

- Ne versez pas trop d'eau, sinon elle risque de s'écouler par l'orifice de trop-plein (Fig. F-18).
2. Retirez de l'appareil le porte-filtre (Fig. C-8) et le filtre (Fig. C-7), mettez 6,5 grammes de café moulu dans le filtre à l'aide de la cuillère à mesurer (Fig. C-14), puis réinsérez le porte-filtre dans l'appareil.
- ### REMARQUE
- Placez bien le filtre dans le porte-filtre (Fig. G-8). Autrement le porte-filtre ne pourra s'insérer correctement.
 - Ajustez la quantité de café moulu selon votre préférence.
3. Mettez une tasse sur le support de tasse (Fig. C-9).
 4. Appuyez sur l'interrupteur d'alimentation (Fig. C-10). L'interrupteur d'alimentation s'allume et le cycle d'infusion commence.
Une fois le cycle d'infusion terminé, l'appareil s'éteint automatiquement et l'interrupteur d'alimentation s'éteint.

REMARQUE

- Pour arrêter l'infusion, appuyez sur l'interrupteur d'alimentation (Fig. C-10). L'appareil s'éteint et l'interrupteur d'alimentation s'éteint.
- Le cycle d'infusion dure environ 3 minutes lorsque l'appareil est branché sur une prise de courant, et environ 7 minutes lorsqu'il est alimenté par la batterie (la durée du cycle varie suivant la quantité d'eau, la température et autres conditions). Plus le cycle d'infusion est long, plus le café sera fort.

MISE EN GARDE

- Pour réduire les risques d'ébullition, ne retirez pas le porte-filtre (Fig. C-8) pendant le cycle d'infusion.
- Ne touchez pas la section d'infusion, indiquée par  (Fig. H), pendant qu'elle dégage de la vapeur.
- La vapeur s'accumule sous le porte-filtre (Fig. C-8).
- Ne touchez pas la plaque inférieure (Fig. C-11) pendant le cycle d'infusion.
- Une fois le cycle d'infusion terminé, attendez au moins 5 minutes avant de retirer le porte-filtre.
- Si vous devez commencer un autre cycle d'infusion, attendez au moins 5 minutes avant de verser l'eau froide. Autrement de la vapeur et de l'eau chaude risquent d'être libérées et de vous ébouillanter.

NETTOYAGE

Un entretien adéquat vous permettra de profiter de votre appareil pendant de nombreuses années. Nettoyez l'appareil après chaque utilisation pour que le café garde toute sa saveur.

AVERTISSEMENT !

- Ne plongez pas l'appareil, son cordon d'alimentation ou le porte-batterie dans l'eau ou tout autre liquide.
1. Débranchez le cordon d'alimentation ou le porte-batterie de l'appareil, et laissez refroidir l'appareil.

2. Nettoyez l'extérieur avec un linge doux humecté d'eau.

REMARQUE

- N'utilisez ni nettoyant abrasif ni tampon à récurer.
3. Retirez le porte-filtre (Fig. C-8) et le filtre (Fig. C-7) de l'appareil, lavez-les dans une eau savonneuse chaude, puis rincez-les à l'eau chaude.
 4. Laissez sécher complètement l'appareil et toutes les pièces.

REMARQUE

- N'essuyez pas l'intérieur du réservoir d'eau (Fig. C-6) avec un linge, car cela pourrait laisser des peluches.

RANGEMENT

- Pour prévenir les risques d'incendie ou de brûlure, laissez refroidir complètement l'appareil avant de le ranger.
- Ne rangez pas la batterie déchargée pour une période prolongée, car cela peut raccourcir sa durée de service.
- Pour assurer la SÉCURITÉ et la FIABILITÉ du produit, tout travail de réparation, maintenance ou réglage doit être confié à un centre de service Makita autorisé, au moyen de pièces de rechange Makita.

MAINTENANCE

AVERTISSEMENT !

- Si l'appareil doit être réparé, confiez-le à un centre de service Makita autorisé qui utilise des pièces de rechange authentiques. L'utilisation d'autres pièces peut entraîner un danger ou endommager l'appareil.

AVERTISSEMENT !

- Pour éviter toute blessure grave, retirez toujours le cordon d'alimentation ou la cartouche de batterie de l'appareil avant de le nettoyer ou d'effectuer tout travail d'entretien.

ENTRETIEN GÉNÉRAL

N'utilisez jamais d'essence, de benzine, de diluant, d'alcool ou substance similaire pour nettoyer les pièces en plastique. Il y a risque de décoloration, de déformation ou de fissuration. Une fois l'appareil refroidi, utilisez des linges propres pour enlever les saletés, les poussières, l'huile, la graisse, etc.

ACCESSOIRES EN OPTION

MISE EN GARDE

- Ces accessoires sont recommandés pour l'utilisation avec l'appareil spécifié dans ce manuel. L'utilisation de tout autre accessoire peut comporter un risque de blessure. Utilisez l'accessoire uniquement dans le but indiqué.

Pour obtenir de l'aide ou de plus amples renseignements sur ces accessoires, informez-vous auprès de votre centre de service Makita local.

- Batterie et chargeur Makita authentiques

REMARQUE

- Certains accessoires qui figurent dans la liste peuvent être fournis avec l'appareil. Ils peuvent varier d'un pays à l'autre.

MEDIDAS DE SEGURIDAD IMPORTANTES

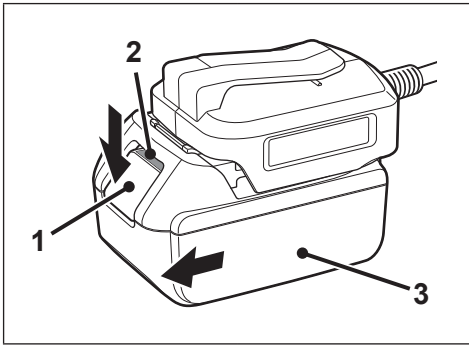
Cuando utilice aparatos eléctricos, siga siempre las instrucciones básicas de seguridad para reducir el riesgo de incendio, choque eléctrico y/o lesiones, incluido lo siguiente:

1. Lea todas las instrucciones.
2. No toque superficies calientes.
3. Para protegerse del fuego o choque eléctrico, no sumerja los cables, enchufes ni el aparato en agua o en otro tipo de líquido.
4. Es necesario vigilar de cerca cuando los niños usen el aparato o estén cerca de éste. Los niños deben ser supervisados para asegurarse de que no jueguen con el aparato.
5. Desconecte de la toma de corriente cuando no se esté utilizando y antes de la limpieza. Permita que el aparato se enfríe antes de colocar o retirar piezas y antes de limpiarlo.
6. No utilice ningún aparato que tenga un cable o enchufe dañados una vez que éste deje de funcionar correctamente, o si ha sido dañado de alguna manera. Lleve el aparato al centro de servicio autorizado más cercano para que lo revisen, reparen o ajusten.
7. El uso de accesorios no recomendados por el fabricante del aparato puede ocasionar un incendio, choque eléctrico o lesiones.
8. No deje que el cable cuelgue del borde de la mesa o mostrador, ni que toque superficies calientes.
9. No lo coloque sobre o cerca de quemadores eléctricos o de gas o en hornos que estén calientes.
10. Siempre conecte primero el enchufe al aparato y luego conecte el cable a la toma de corriente en la pared. Para desconectar, gire cualquier control a la posición de “apagado” y luego retire el enchufe de la toma de corriente en la pared.
11. No use el aparato con un fin distinto para el que fue diseñado.
12. No abra la tapa del depósito de agua durante los ciclos de preparación.
13. Puede haber riesgo de quemaduras si el soporte del filtro es retirado durante los ciclos de preparación.
14. Coloque el aparato sobre una superficie dura y plana para evitar la interrupción del flujo de aire debajo del aparato.
15. ¡ADVERTENCIA! Para reducir el riesgo de incendio o choque eléctrico, no retire la cubierta inferior. No contiene piezas que el usuario pueda reparar o dar mantenimiento. El servicio y la reparación sólo deben ser realizados por un centro de servicio autorizado.
16. Desconecte el cartucho de la batería del aparato antes de hacer cualquier ajuste, cambio de accesorios, o para guardar el aparato. Estas medidas de seguridad preventivas reducen el riesgo de poner en marcha el aparato accidentalmente.
17. Para recargar la batería, utilice únicamente el cargador especificado por el fabricante. Utilizar un cargador adecuado para un tipo de cartucho de batería con otro tipo de cartucho puede ocasionar riesgo de incendio.
18. Use los aparatos únicamente con los cartuchos de batería designados específicamente para éstos. El uso de cualquier otro cartucho de batería puede provocar riesgo de incendio o lesiones.

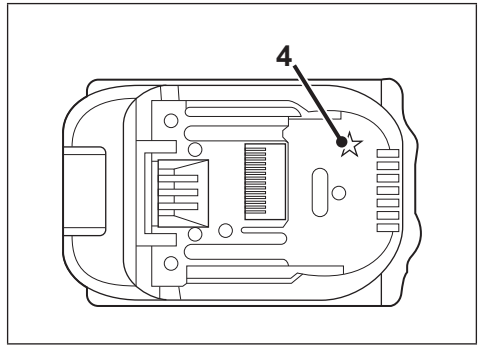
19. Cuando no se esté utilizando el cartucho de batería, manténgalo alejado de otros objetos metálicos, tales como sujetapapeles, monedas, llaves, clavos, tornillos u otros objetos metálicos pequeños que puedan causar la conexión de una terminal a otra. Ocasionar un cortocircuito entre las terminales de la batería puede provocar quemaduras o un incendio.
20. En situaciones de mal uso, puede salir líquido de la batería; evite el contacto. En caso de contacto accidental, enjuague con agua. Si los ojos entran en contacto con el líquido, busque asistencia médica adicional. El líquido que sale de la batería puede ocasionar irritaciones o quemaduras.
21. No utilice un cartucho de batería o aparato que estén dañados o alterados. Las baterías dañadas o alteradas pueden ocasionar situaciones impredecibles provocando un incendio, explosión o riesgo de lesiones.
22. No exponga aparatos o cartuchos de batería al fuego o a una temperatura excesiva. La exposición al fuego o a una temperatura superior a 130°C (265°F) puede ocasionar una explosión.
23. El servicio lo debe realizar una persona de servicio calificada usando únicamente piezas de reemplazo que sean idénticas. Esto garantizará que se mantenga la seguridad del producto.
24. No se utilice en exteriores.
25. No ponga en marcha el aparato si el cable o enchufe están dañados o si no funciona correctamente.
26. Las reparaciones y reemplazos de cables deben ser efectuados exclusivamente por un centro de servicio autorizado.
27. Este aparato no está diseñado para ser usado por personas (incluyendo niños) con capacidades físicas, sensoriales o mentales reducidas, o que no tengan experiencia y conocimiento, a menos que estén supervisadas o hayan recibido instrucciones sobre el uso del aparato por parte de la persona responsable de su seguridad.
28. Para reducir el riesgo de incendio o choque eléctrico, no retire ninguna de las tapas; el interior no contiene piezas que puedan ser manipuladas por el usuario.
29. a) Un cable de alimentación corto (o cable de alimentación extraíble) debe ser suministrado a fin de reducir los riesgos por enredarse o tropezarse con un cable más largo.
b) Hay disponibles cables de alimentación extraíbles o de extensión más largos que pueden usarse si se tiene precaución.
c) Si se utiliza un cable de alimentación extraíble o de extensión largo:
 - 1) La capacidad nominal eléctrica marcada para el cable de alimentación extraíble o de extensión debe ser por lo menos igual que la indicada para el aparato;
 - 2) Si el aparato es de los que se conectan a tierra, el cable de extensión debe ser de tipo trifásico y conectarse a tierra; y
 - 3) El cable más largo debe colocarse de manera que no quede sobrepuesto en la mesa o mostrador donde los niños puedan jalarlo o tropezarse con él.
30. Este aparato está diseñado exclusivamente para uso doméstico. Para uso en el hogar únicamente.

LIMPIE LA CAFETERA ANTES DE USARLA POR PRIMERA VEZ.

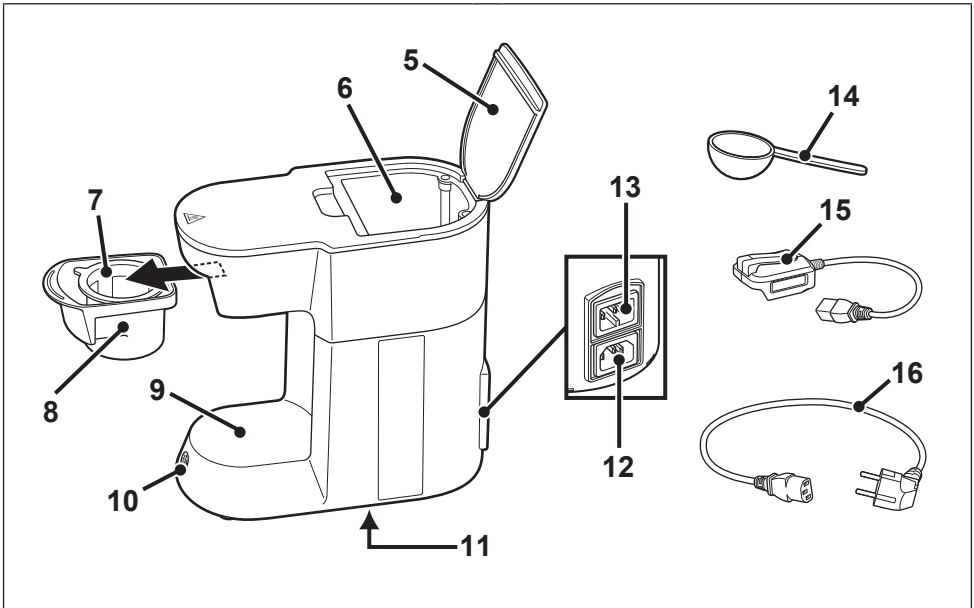
CONSERVE ESTAS INSTRUCCIONES.



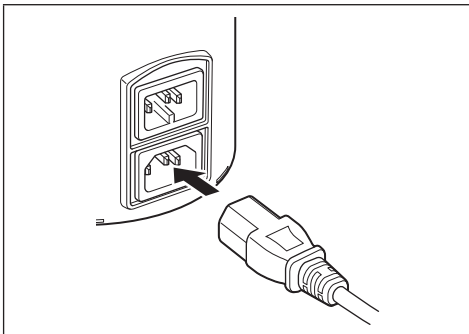
A



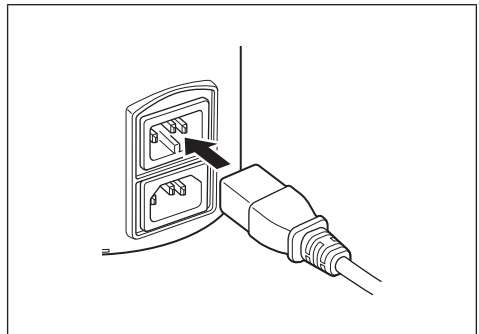
B



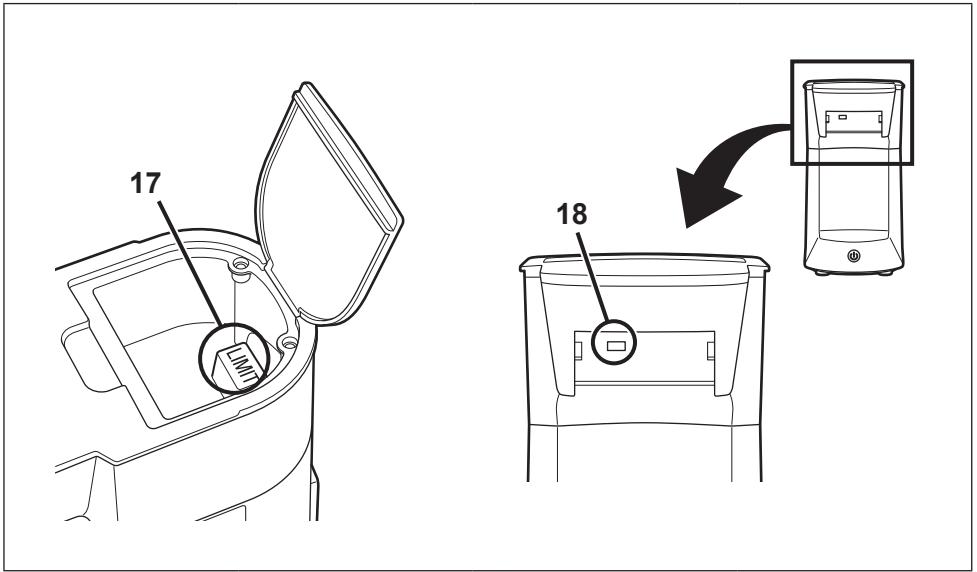
C



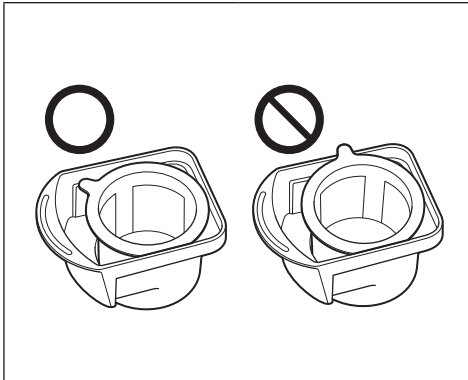
D



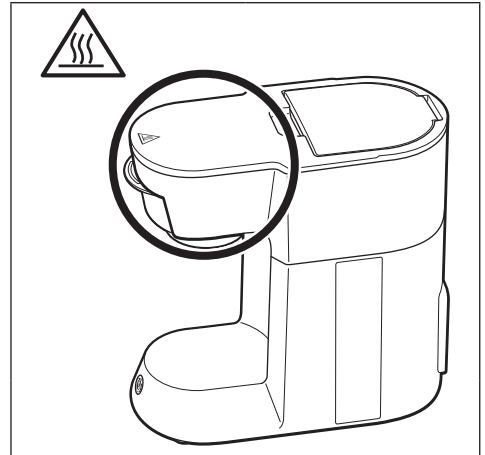
E



F



G



H

INSTRUCCIONES DE SEGURIDAD IMPORTANTES

PARA EL CARTUCHO DE BATERÍA

1. Antes de utilizar el cartucho de batería, lea todas las instrucciones e indicaciones de precaución sobre (1) el cargador de baterías, (2) la batería, y (3) el aparato con el que se utiliza la batería.
2. No desarme el cartucho de batería.
3. Si el tiempo de uso del cartucho de batería se acorta demasiado, deje de usarlo inmediatamente. Podría causar riesgo de sobrecalentamiento, posibles quemaduras e incluso una explosión.
4. Si entra electrolito en sus ojos, enjuáguelos con agua limpia y visite a un médico inmediatamente. Existe riesgo de perder la vista.
5. No cause un cortocircuito en el cartucho de batería:
 - (1) Evite que las terminales toquen algún material conductor.
 - (2) Evite guardar el cartucho de batería en un cajón junto con otros objetos metálicos, como clavos, monedas, etc.
 - (3) No exponga el cartucho de batería al agua ni a la lluvia.

Un cortocircuito en la batería puede producir una gran circulación de corriente, sobrecalentamiento, posibles quemaduras e incluso una avería de la misma.

6. No guarde el aparato y el cartucho de batería en lugares donde la temperatura pueda alcanzar o exceder los 50°C (122°F).
7. Nunca incinere el cartucho de batería incluso en el caso de que esté dañado seriamente o ya no sirva en absoluto. El cartucho de batería puede explotar en el fuego.
8. Tenga cuidado de no dejar caer ni golpear el cartucho de batería.
9. No utilice una batería dañada.
10. Siga los reglamentos locales referentes al desecho de la batería.

Consejos para alargar al máximo la vida de servicio de la batería

1. Cargue el cartucho de batería antes de que se descargue completamente. Detenga siempre la operación y cargue el cartucho de batería cuando note menos potencia en el aparato.
2. No cargue nunca un cartucho de batería que ya esté completamente cargado. La sobrecarga acortará la vida de servicio de la batería.
3. Cargue el cartucho de batería a una temperatura ambiental de 10°C – 40°C (50°F – 104°F). Si un cartucho de batería está caliente, déjelo enfriar antes de cargarlo.
4. Cargue el cartucho de batería una vez cada seis meses si no la utiliza durante un período de tiempo prolongado.

Símbolos

A continuación se muestran los símbolos utilizados para el aparato. Asegúrese de que entienda sus significados antes de utilizar el aparato.



Voltaje peligroso



Prestar atención

ESPECIFICACIONES

Modelo	DCM500
Fuente de alimentación	CA (consulte la placa de características del aparato para ver la tensión de operación), 50 – 60 Hz o 18 V CC (utilizando un cartucho de batería BL1830, BL1840 o BL1850)
Capacidad del depósito de agua	150 ml
Dimensiones (la/an/al)	8-3/4" x 4-1/2" x 8-3/8" (222 x 115 x 214 mm)
Peso	2,0 lbs (0,9 kg) sin cable, batería 3,7 lbs (1,7 kg) kg con batería

- Debido a nuestro continuo programa de investigación y desarrollo, las especificaciones indicadas aquí están sujetas a cambio sin previo aviso.
- Las especificaciones y el cartucho de batería pueden variar de un país a otro.
- Peso, con el cartucho de batería, de acuerdo con el procedimiento EPTA 01/2003

OPERACIÓN

IDENTIFICACIÓN DE LAS PARTES (Fig. C)

1. Botón
2. Indicador rojo
3. Cartucho de batería
4. Marca de estrella
5. Tapa del depósito
6. Depósito de agua
7. Filtro
8. Portafiltros
9. Posatazas (para tazas o tazones de hasta 3,5 pulg. (88 mm) de altura)
10. Interruptor de alimentación
11. Placa inferior
12. Enchufe de corriente alterna (CA)
13. Enchufe de corriente continua (CC)
14. Medidor (una cucharada de café: 0,2 oz. (6,5 g))
15. Portabaterías
16. Cable de alimentación de CA
17. Isla de límite "LIMIT"
18. Abertura de desbordamiento

PREPARACIÓN

Cuando utilice el aparato por primera vez, o después de un largo período de almacenamiento, realice los pasos siguientes:

1. Retire todos los materiales de empaque del aparato.
2. Limpie el exterior del aparato y lave el filtro y el portafiltros (consulte la sección LIMPIEZA).
3. Para retirar cualquier residuo del aparato, vierta 150 ml de agua limpia en el depósito de agua y haga como si preparara café (consulte la sección PREPARACIÓN DE CAFÉ) sin añadir café molido en el filtro hasta que el depósito de agua esté vacío. Repita el mismo procedimiento al menos dos veces.

USO CON ALIMENTACIÓN DE CA (Fig. D)

Enchufe el cable de alimentación en el enchufe de alimentación de CA del aparato, y después en la toma de corriente de CA de la pared.

NOTA

- No enchufe el cable de alimentación de CA y el portabaterías en los enchufes del aparato al mismo tiempo.
- Se ha suministrado un cable de alimentación corto en lugar de uno largo para reducir el riesgo de que se enrede o tropiece con él. Si utiliza cables de alimentación o cables de extensión desmontables más largos:
 - Utilice los cables de alimentación o cables de extensión desmontables más largos con cuidado.
 - Utilice cables de alimentación o cables de extensión desmontables marcados con una capacidad eléctrica por lo menos igual de alta que la capacidad eléctrica del aparato.
 - Utilice únicamente un cable trifásico de conexión a tierra.
 - Coloque el cable más largo de forma que no cuelgue de la parte superior del mostrador o mesa donde los niños puedan tirar de él o tropezar con él.

UTILIZACIÓN CON BATERÍA

Instalación o extracción del cartucho de batería (Fig. A)

PRECAUCIÓN

- Apague siempre el aparato antes de instalar o extraer el cartucho de batería.
- **Sujete el portabaterías y el cartucho de batería firmemente cuando instale o extraiga el cartucho de batería.** Si no sujeta el portabaterías y el cartucho de batería firmemente podrán caérsele de las manos y ocasionar daños al aparato y al cartucho de batería, así como lesiones.

Para extraer el cartucho de batería, deslícelo del portabaterías a la vez que desliza el botón (Fig. A-1) de la parte frontal del cartucho.

Para instalar el cartucho de batería, alinee la lengüeta del cartucho de batería con la ranura de la carcasa y deslícelo hasta que encaje en su sitio. Insértelo a tope hasta que se bloquee en su sitio produciendo un pequeño chasquido. Si puede ver el indicador rojo (Fig. A-2) en el lado superior del botón, no estará bloqueado completamente.

PRECAUCIÓN

- Instale siempre el cartucho de batería completamente hasta que no pueda verse el indicador rojo. (Fig. A-2) En caso contrario, podrá caerse accidentalmente del portabaterías, ocasionándole heridas a usted o a alguien que esté cerca de usted.
- No instale el cartucho de batería empleando fuerza. Si el cartucho no se desliza hacia el interior fácilmente, es porque no se está insertando correctamente.

Sistema de protección de la batería

El aparato está equipado con un sistema de protección de la batería. Este sistema corta automáticamente la alimentación del aparato para alargar la vida útil de la batería.

El aparato se detendrá automáticamente durante la operación si el aparato y/o la batería son puestos en una de las condiciones siguientes:

- **Sobrecalentamiento:**
 - Si el aparato no se pone en marcha, la batería se sobrecalentará. En esta situación, deje que la batería se enfríe antes de presionar el interruptor de alimentación otra vez.
- **Tensión baja en la batería:**
 - La capacidad de batería restante es muy baja y el aparato no funcionará. En esta situación, extraiga la batería y vuelva a cargarla.

NOTA

- La protección contra el sobrecalentamiento funciona solamente con un cartucho de batería con marca de estrella (Fig. B-4).

Conexión del portabaterías (Fig. E)

Enchufe el portabaterías en el enchufe de alimentación de CC del aparato.

NOTA

- No enchufe el cable de alimentación de CA y el portabaterías en los enchufes del aparato al mismo tiempo.

PREPARACIÓN DE CAFÉ

1. Abra la tapa del depósito de agua (Fig. C-5) y vierta 150 ml de agua limpia y fría.
Vierta agua hasta que la isla de límite "LIMIT" (Fig. F-17) quede hundida.

NOTA

- No vierta demasiada agua, o el agua podrá salirse por la abertura de desbordamiento (Fig. F-18).
2. Retire el portafiltros (Fig. C-8) con el filtro (Fig. C-7) del aparato, ponga 6,5 gramos de café molido en el filtro utilizando el medidor (Fig. C-14), y después vuelva a insertar el portafiltros en el aparato.


NOTA

- Ponga el filtro correctamente en el portafiltros (Fig. G-8). De lo contrario, el portafiltros no podrá ser insertado correctamente.
 - Ajuste la cantidad de café molido según sus preferencias.
3. Ponga una taza en el posatazas (Fig. C-9).
 4. Presione el interruptor de alimentación (Fig. C-10).
El interruptor de alimentación se ilumina y comienza el ciclo de preparación de café.
Cuando termine el ciclo de preparación de café, el aparato se apagará automáticamente y la luz del interruptor de alimentación se apagará.

NOTA

- Para detener la preparación de café, presione el interruptor de alimentación (Fig. C-10). El aparato se apagará y la luz del interruptor de alimentación se apagará.
- Con operación con CA, un ciclo de preparación de café llevará 3 minutos aproximadamente, mientras que con operación con batería, llevará 7 minutos aproximadamente (el tiempo del ciclo varía dependiendo de la cantidad de agua, la temperatura y otras condiciones). Cuanto más largo sea el ciclo de preparación de café, más fuerte será el café.

PRECAUCIÓN

- Para reducir el riesgo de quemaduras, no retire el portafiltros (Fig. C-8) durante el ciclo de preparación de café.
- Cuando la parte de preparación de café marcada con  (Fig. H) esté echando vapor, no la toque.
- El vapor se acumula debajo del portafiltros (Fig. C-8).
- No toque la placa inferior (Fig. C-11) durante el ciclo de preparación de café.
- Después de completarse la preparación de café, espere al menos 5 minutos antes de retirar el portafiltros.
- Si va a comenzar otro ciclo de preparación de café, espere al menos 5 minutos antes de verter agua fría. De lo contrario, el vapor y el agua caliente podrían liberarse y ocasionar quemaduras.

LIMPIEZA

Una limpieza apropiada asegurará años de servicio para su aparato. Limpie el aparato después de cada uso para mantener la calidad del sabor del café.

ADVERTENCIA

- No sumerja el aparato, el cable de alimentación de CA, ni el portabaterías en agua ni en otros líquidos.
1. Desenchufe el cable de alimentación de CA/portabaterías del aparato y deje que el aparato se enfríe.
 2. Limpie el exterior con un paño suave humedecido con agua.
NOTA
 - No utilice productos de limpieza abrasivos ni estropajos.
 3. Retire el portafiltros (Fig. C-8) con el filtro (Fig. C-7) del aparato, lávelos en agua caliente con jabón, y después enjuáguelos con agua caliente.
 4. Deje que el aparato y todas las partes se sequen completamente.

NOTA

- No seque el interior del depósito de agua (Fig. C-6) con un paño, porque podrá quedar pelusa.

ALMACENAMIENTO

- Para evitar un incendio o quemaduras, deje que el aparato se enfríe completamente antes de almacenarlo.
- No almacene una batería descargada durante largos períodos de tiempo, porque podrá acortarse su vida de servicio.
- Para mantener la SEGURIDAD y FIABILIDAD del producto, las reparaciones, y cualquier otro mantenimiento o ajuste deberán ser realizados en centros de servicio autorizados por Makita, empleando siempre repuestos de Makita.

MANTENIMIENTO

ADVERTENCIA

- Cuando sea necesario un servicio de mantenimiento, solicítelo a un centro de servicio autorizado por Makita que cuente con piezas de repuesto genuinas. El uso de otro tipo de piezas podría ocasionar riesgos o daños al producto.

ADVERTENCIA

- Para evitar lesiones graves, retire siempre el cable de alimentación de CA o el cartucho de batería de la unidad cuando la vaya a limpiar o realizar cualquier mantenimiento.

MANTENIMIENTO GENERAL

No utilice nunca gasolina, bencina, solvente, alcohol o similares cuando limpie partes de plástico. Podría ocasionar decoloración, deformación o grietas. Después de que el aparato se enfríe, utilice paños limpios para quitar suciedad, polvo, aceite, grasa, etc.

ACCESORIOS OPCIONALES

PRECAUCIÓN

- Estos accesorios o acoplamientos están recomendados para usarse con el aparato especificado en este manual. La utilización de cualquier otro accesorio o acoplamiento podría ocasionar lesiones. Utilice los accesorios o acoplamientos solamente para el propósito que han sido diseñados.

Si necesita cualquier tipo de asistencia para obtener más detalles en relación con estos accesorios, pregunte al centro de servicio Makita local.

- Batería y cargador genuinos de Makita

NOTA

- Algunos elementos de la lista podrán estar incluidos en el paquete del aparato como accesorios de serie. Pueden variar de un país a otro.

Makita Corporation
3-11-8, Sumiyoshi-cho,
Anjo, Aichi 446-8502 Japan

DCM500-NA3-0614

www.makita.com

IDE