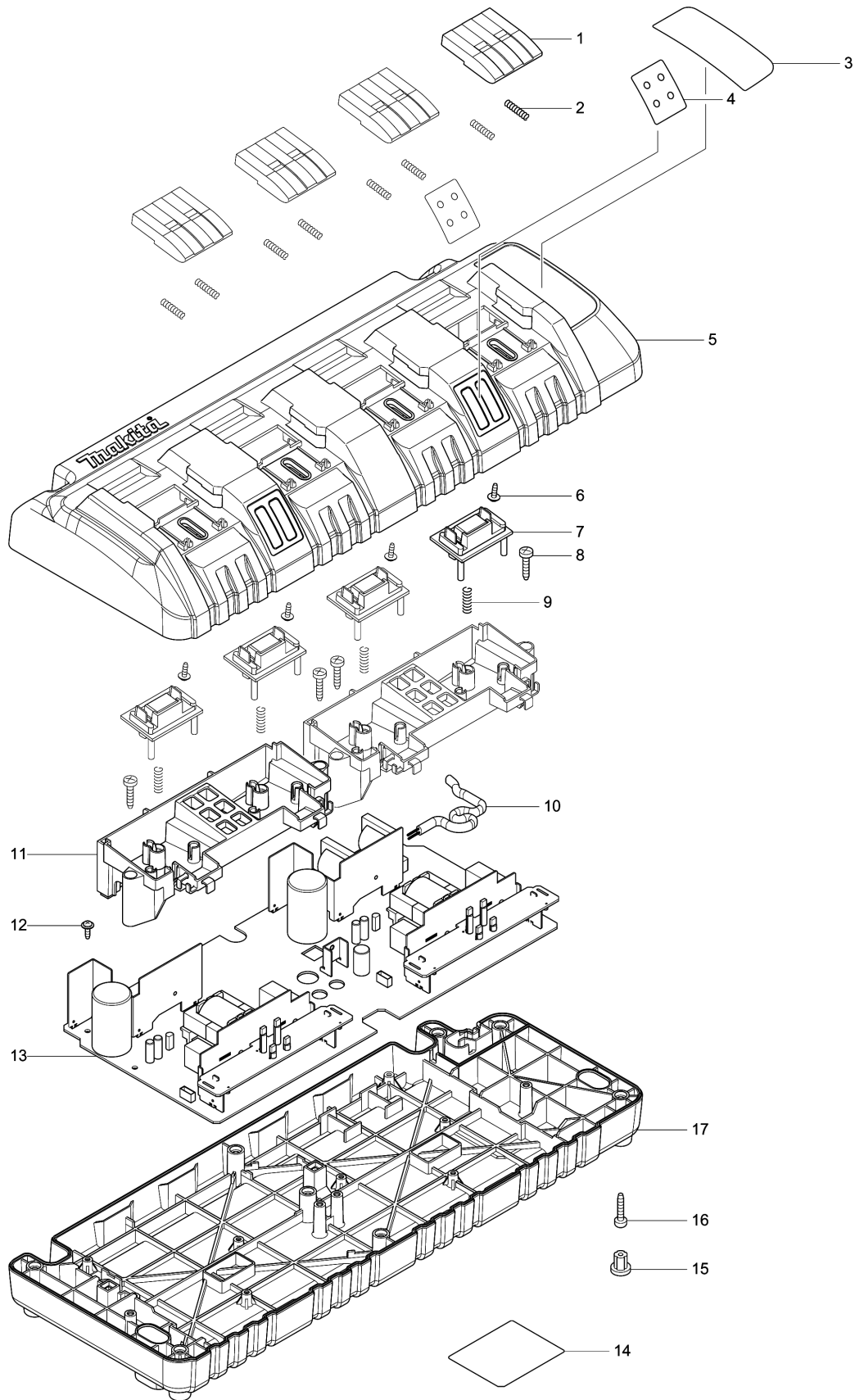


Model No.DC18SF FOUR PORT MULTI CHARGER



Model No.DC18SF FOUR PORT MULTI CHARGER

Item	Parts No.	Description	I/C	Qty	New/Old	Opt. 1	Opt. 2	Note
001	454262-6	TERMINAL COVER		4	*			
001-1	456255-9	TERMINAL COVER	<	4				
002	231474-6	COMPRESSION SPRING 4		8				
003	801K88-7	CHARGING CONDITION LABEL		1				
004	801M82-1	INDICATION LABEL		2				
005	141900-6	CHARGER CASE COMPLETE		1				
006	266278-7	TAPPING SCREW FLANGE BT3X10		4				
007	632B34-3	TERMINAL UNIT		4				
008	266346-6	TAPPING SCREW BT 4X20		4				
009	233194-8	COMPRESSION SPRING 4		4				
010	667985-9	VINYL CORD 0.75-2-2.0		1				
011	454263-4	TERMINAL BASE		2				
012	266278-7	TAPPING SCREW FLANGE BT3X10		8				
013	620191-7	CHARGING CIRCUIT		1				
C10	647321-5	VARISTOR		1				
C20	652782-6	FUSE		1				
014	814K86-2	DC18SF NAME PLATE		1				
015	286255-3	CAP 13		4				
016	266346-6	TAPPING SCREW BT 4X20		8				
017	454261-8	CHARGER CASE COVER		1				

Please order the parts with part number.

Print Date 14/5/2019

