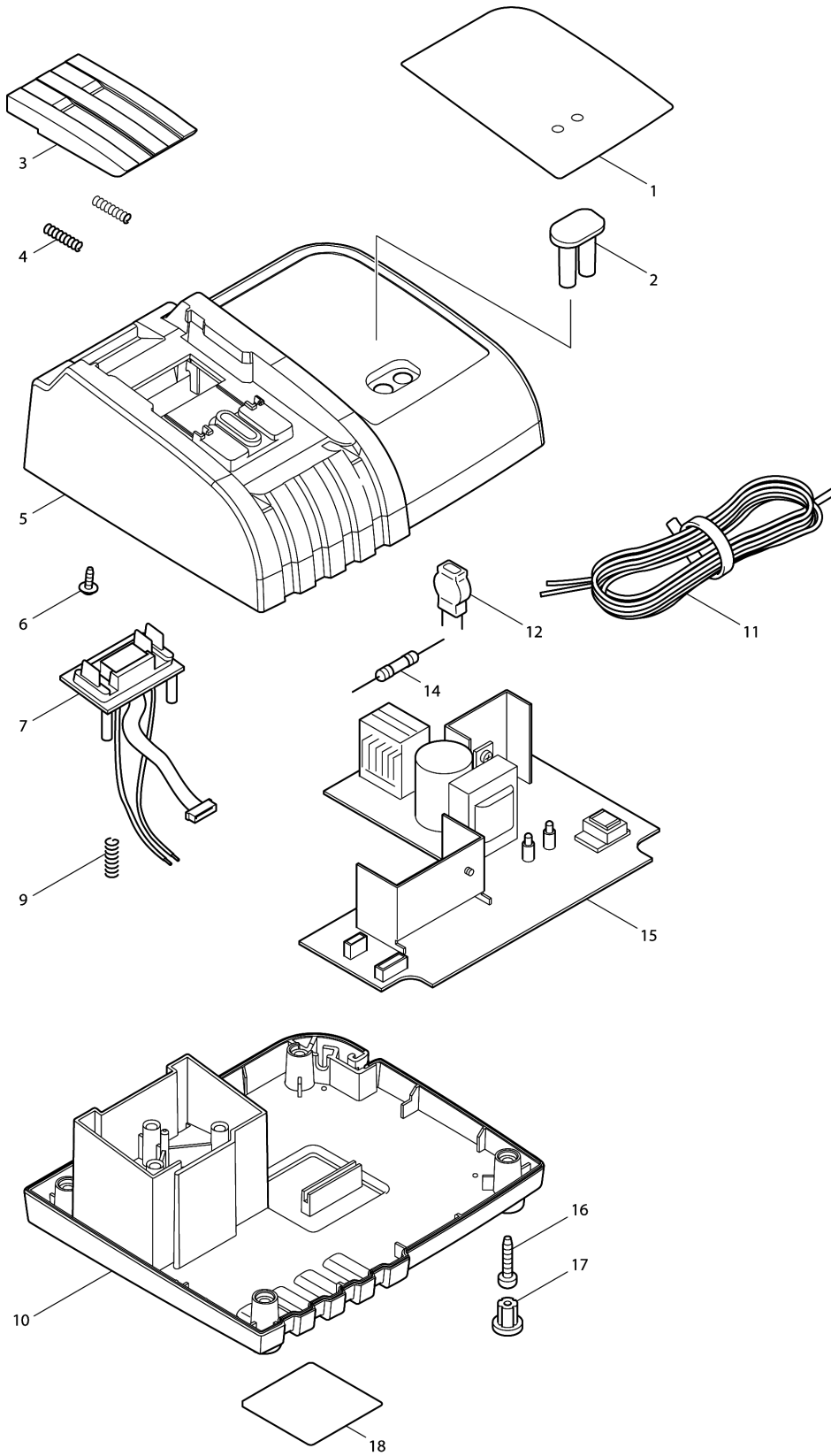


Model No.DC18SD CHARGER



Model No.DC18SD CHARGER

Item	Parts No.	Description	I/C	Qty	New/Old	Opt. 1	Opt. 2	Note
001	806355-9	CHARGING CONDITION LABEL		1	*			
001-1	816W96-7	CHARGING CONDITION LABEL	<	1				
001A_	806355-9	CHARGING CONDITION LABEL		1				
002	418175-5	ACRYLIC PIN		1				
003	419569-7	TERMINAL COVER		1	*			
003-1	455546-5	TERMINAL COVER	<	1				
004	231474-6	COMPRESSION SPRING 4		2				
005	158598-2	CHARGER CASE COMPLETE		1				
D10		INC. 2						
005A_	143539-1	CHARGER CASE COMPLETE		1				
006	266278-7	TAPPING SCREW FLANGE BT3X10		1				
007	638602-8	TERMINAL UNIT		1	*			
007-1	638602-8	TERMINAL UNIT	O	1	*			
007-2	638602-8	TERMINAL UNIT	O	1				
007A_	632G53-9	TERMINAL UNIT		1				
009	233194-8	COMPRESSION SPRING 4		1				
010	450346-8	CHARGER CASE COVER		1				
010A_	456426-8	CHARGER CASE COVER		1				
011	667985-9	VINYL CORD 0.75-2-2.0		1				
011A_	667721-3	VINYL CORD		1				
012	647306-1	VARISTOR		1				
012A_	647070-4	VARISTOR		1				
014	652779-5	FUSE		1	*			
014-1	652779-5	FUSE	O	1				
014A_	652067-0	FUSE		1				
015	631851-6	CHARGING CIRCUIT		1				
D10		INC. 12,14						
015A_	620532-7	CHARGING CIRCUIT		1				
016	266346-6	TAPPING SCREW BT 4X20		4				
017	286255-3	CAP 13		4				
018	864446-2	DC18SD NAME PLATE		1				

Please order the parts with part number.

Print Date 6/11/2019

