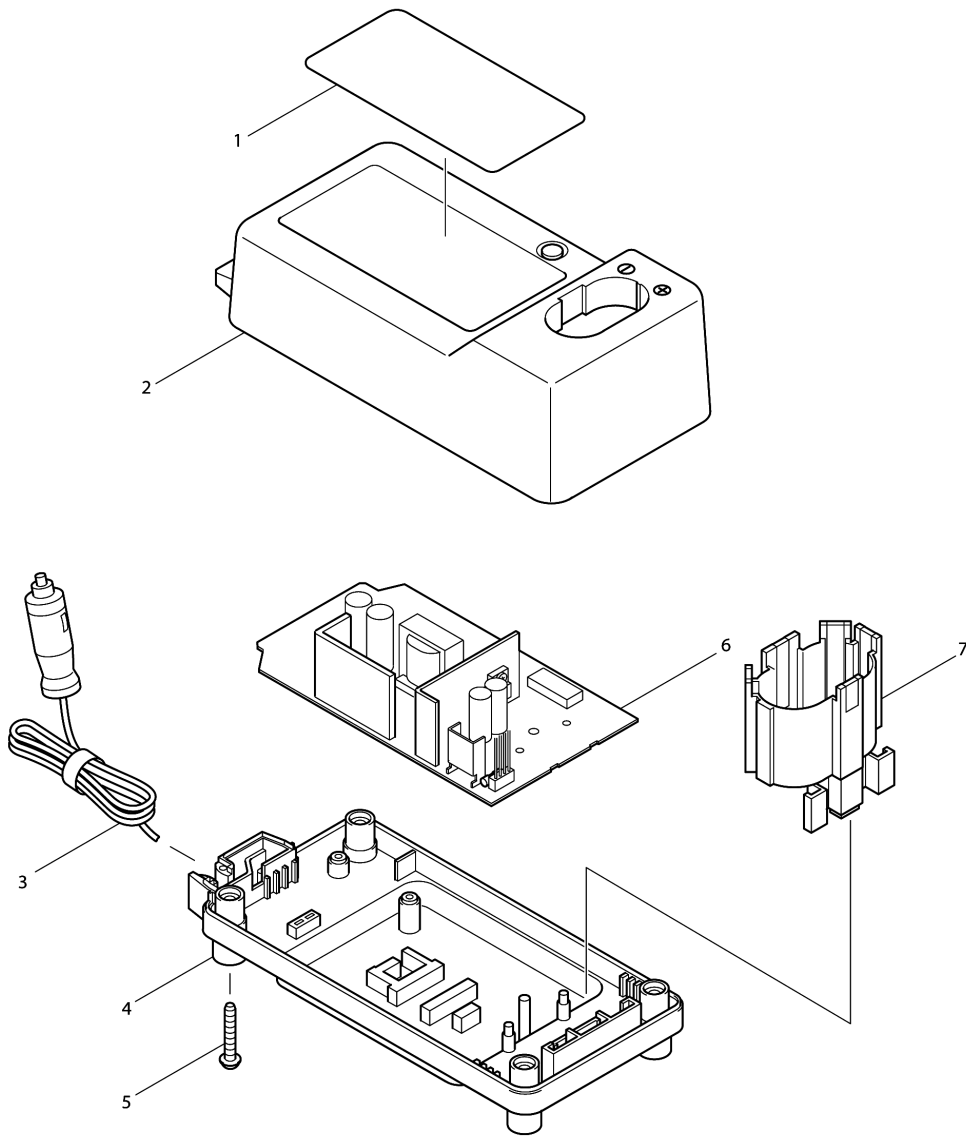


Model No.DC1822 CHARGER



Model No.DC1822 CHARGER

Item	Parts No.	Description	I/C	Qty	New/Old	Opt. 1	Opt. 2	Note
001	853357-6	NAME PLATE DC1822		1				
002	183443-2	CHARGER CASE SET		1				
C10	415917-8	ACRYLIC PIN 6		1				
D10		INC. 4						
003	667812-0	VINYL CORD		1	*			
C10	652761-4	FUSE		1	*			
003-1	667857-8	POWER SUPPLY CORD	<	1	*			
C10	652761-4	FUSE		1	*			
003-2	667720-5	POWER SUPPLY CORD	<	1				
C10	652761-4	FUSE		1				
004	183443-2	CHARGER CASE SET		1				
C10	415917-8	ACRYLIC PIN 6		1				
D10		INC. 2						
005	265999-8	TAPPING SCREW 4X25		4	*			
005-1	266355-5	TAPPING SCREW BT 4X25	O	4				
006	631451-2	CIRCUIT BOARD		1				
C10	652763-0	FUSE		1				
007	417885-1	BATTERY BOX		1				

Please order the parts with part number.

Print Date 3/6/2019

