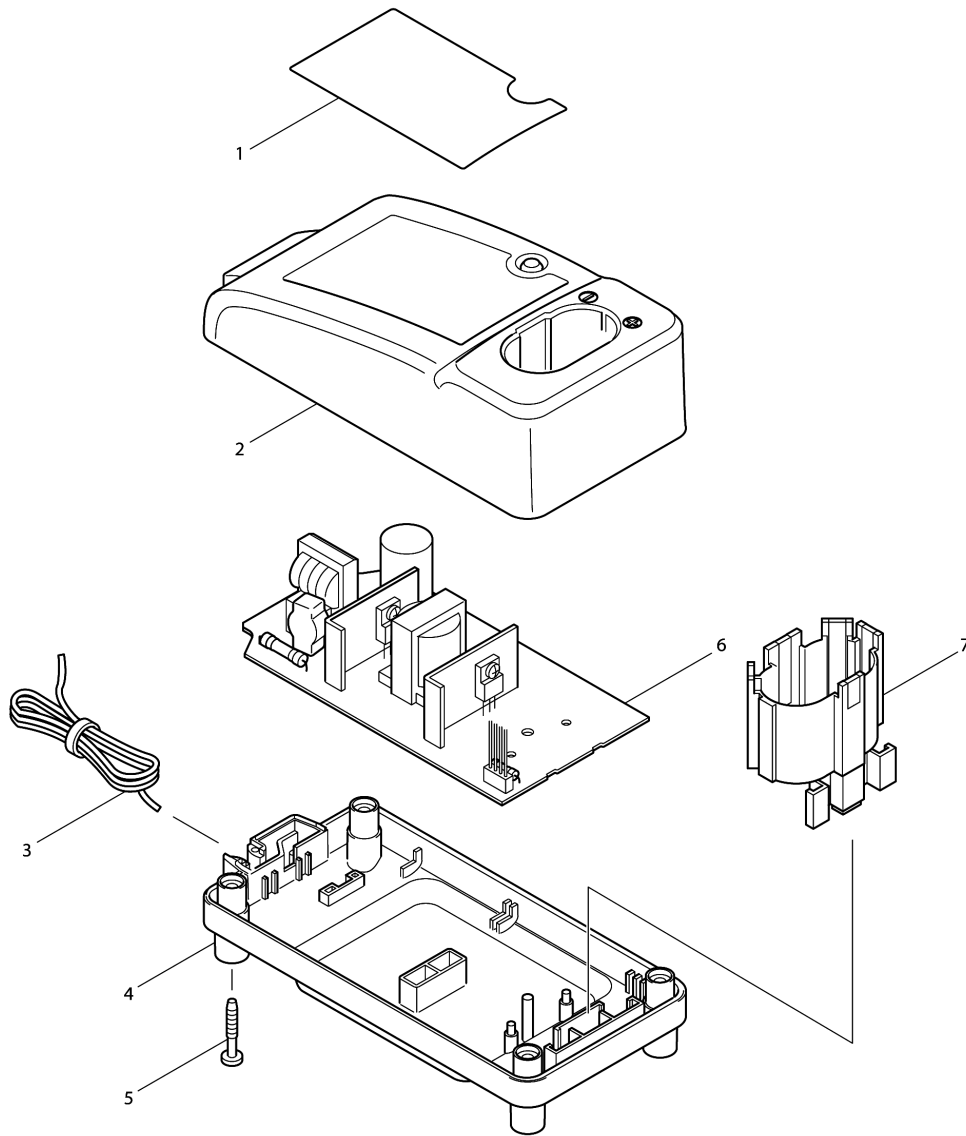


Model No.DC1804 CHARGER



Model No.DC1804 CHARGER

Item	Parts No.	Description	I/C	Qty	New/Old	Opt. 1	Opt. 2	Note
001	850980-8	NAME PLATE DC1804		1	*			
001-1	861122-9	NAME PLATE DC1804T	X	1				
001A_	861108-3	NAME PLATE DC1804F		1				
002	153713-3	CHARGER CASE COMPLETE		1				
002A_	153768-8	CHARGER CASE COMPLETE		1				
003	667985-9	VINYL CORD 0.75-2-2.0		1				
003A_	667822-7	VINYL CORD 0.75-2-2.0		1				
004	418339-1	CHARGER CASE COVER		1				
004A_	418346-4	CHARGER CASE COVER		1				
005	265999-8	TAPPING SCREW 4X25		4	*			
005-1	266355-5	TAPPING SCREW BT 4X25	O	4				
005A_	266350-5	TAPPING SCREW 3.5X25		4				
006	631566-5	CIRCUIT BOARD		1				
C10	647306-1	VARISTOR		1				
C20	652747-8	FUSE 250V 2.5A		1	*			
C21	652780-0	FUSE	O	1	*			
C22	652805-0	FUSE	>	1				
C30	652763-0	FUSE		1				
006A_	631568-1	CHARGING CIRCUIT		1				
C10	647326-5	VARISTOR		1				
C20	652775-3	FUSE 250V 2.5A		1	*			
C21	652773-7	FUSE 250V 2.5A	O	1				
007	418392-7	BATTERY BOX		1				
007A_	418347-2	BATTERY BOX		1				

Please order the parts with part number.

Print Date 3/6/2019

