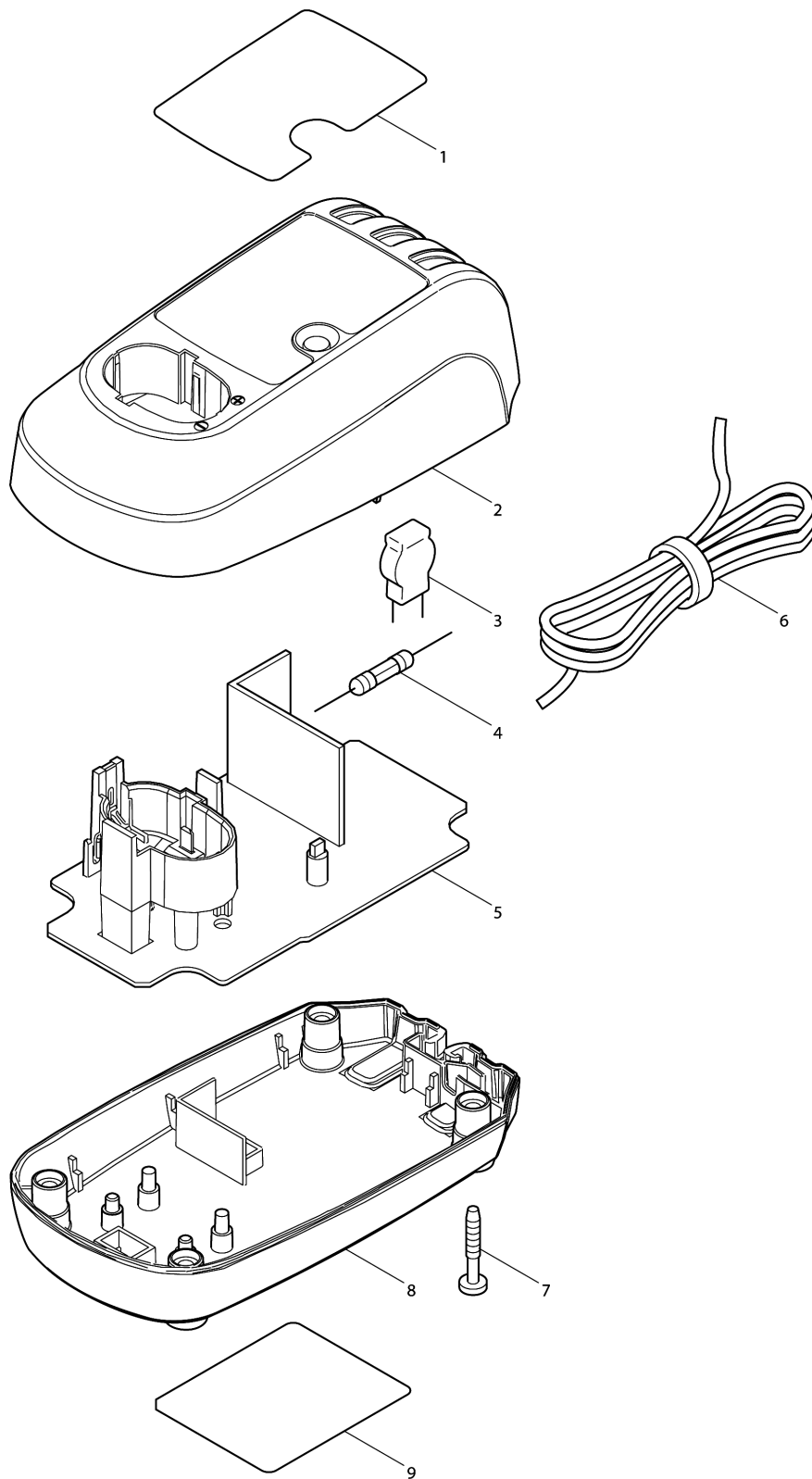


Model No.DC07SA CHARGER



Model No.DC07SA CHARGER

Item	Parts No.	Description	I/C	Qty	New/Old	Opt. 1	Opt. 2	Note
001	804594-5	CHARGING CONDITION LABEL		1	*			
001-1	804594-5	CHARGING CONDITION LABEL	<	1				
002	158140-9	CHARGER CASE COMPLETE		1				
003	647306-1	VARISTOR		1				
004	652779-5	FUSE		1				
005	631731-6	CHARGING CIRCUIT COMPLETE		1				
D10		INC. 3,4						
006	667985-9	VINYL CORD 0.75-2-2.0		1				
007	266355-5	TAPPING SCREW BT 4X25		4				
008	419619-8	CHARGER CASE COVER		1				
009	862711-3	DC07SA NAME PLATE		1				

Please order the parts with part number.

Print Date 3/6/2019

