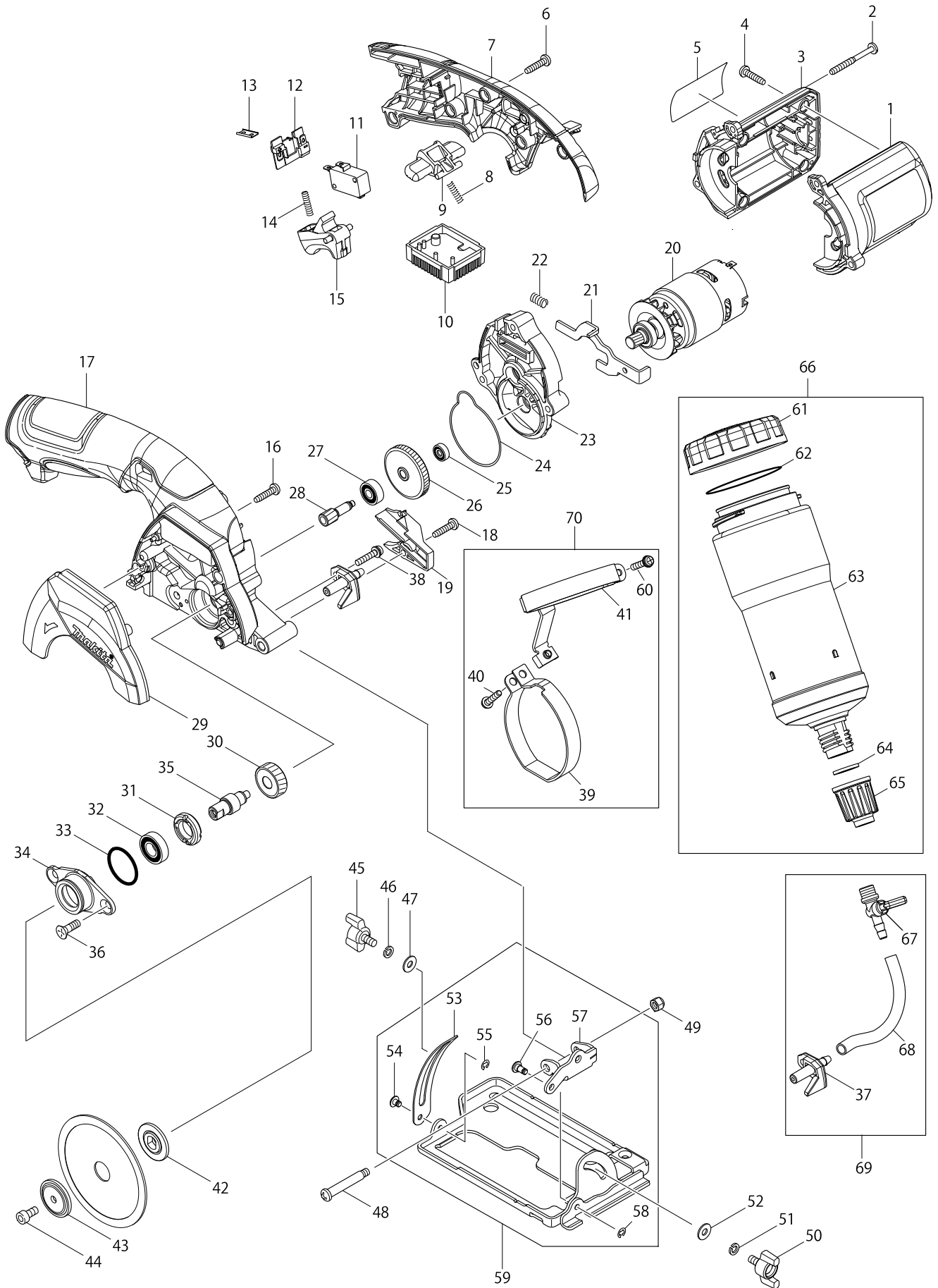


Model No. CC300D 85MM CORDLESS CUTTER



Model No. CC300D 85MM CORDLESS CUTTER

Item	Parts No.	Description	I/C	Qty	N/O	Opt. 1	Opt. 2	Note
001	188941-1	MOTOR HOUSING SET		1				
D10		INC. 3						
002	266560-4	TAPPING SCREW 4X40		3				
003	188941-1	MOTOR HOUSING SET		1				
D10		INC. 1						
004	265995-6	TAPPING SCREW 4X18		4				
005	896666-0	CC300D NAME PLATE		1				
006	265995-6	TAPPING SCREW 4X18		5				
007	187282-2	HANDLE SET		1				
C10	263002-9	RUBBER PIN 4		1				
D10		INC. 17						
008	231469-9	COMPRESSION SPRING 4		1				
009	419664-3	LOCK OFF LEVER		1				
010	638867-2	CONTROLLER UNIT		1				
C10	688161-2	LINE FILTER		1				
011	651891-8	SWITCH V-15-3A6		1				
012	643830-2	TERMINAL		1				
013	345998-7	SET PLATE		1				
014	231469-9	COMPRESSION SPRING 4		1				
015	419665-1	SWITCH LEVER		1				
016	265995-6	TAPPING SCREW 4X18		2				
017	187282-2	HANDLE SET		1				
C10	263002-9	RUBBER PIN 4		1				
D10		INC. 7						
018	265995-6	TAPPING SCREW 4X18		1				
019	452234-5	DUCT		1				
020	629885-1	DC MOTOR		1				
021	346337-4	SHAFT LOCK		1				
022	233117-6	COMPRESSION SPRING 6		1				
023	140625-9	GEAR HOUSING COMPLETE		1				
024	424358-7	PACKING		1				
025	210036-3	BALL BEARING 604ZZ		1				
026	227737-6	HELICAL GEAR 47		1				
027	210028-2	BALL BEARING 606ZZ		1				
028	227735-0	HELICAL GEAR 9B		1				
029A	452243-4	BLADE COVER		1	*			
029B	452243-4	BLADE COVER		1	*			
029-1A	454833-9	BLADE COVER	<	1				
029-1B	454833-9	BLADE COVER	<	1				
029-1C	454833-9	BLADE COVER		1				
029-1D	454833-9	BLADE COVER		1				
030	227736-8	HERICAL GEAR 28		1				
031	285847-5	BEARING RETAINER 14-23		1				
032	210069-8	BALL BEARING 6900DDW		1				
033	213435-8	O RING 26		1				
034	318660-7	BEARING BOX		1				
035	325983-6	SPINDLE		1				
036	265034-2	+ COUNTERSUNK HEAD SCREW M5X		2				

Model No. CC300D 85MM CORDLESS CUTTER

Item	Parts No.	Description	I/C	Qty	N/O	Opt. 1	Opt. 2	Note
037	453555-8	NOZZLE		1				
038	911138-5	PAN HEAD SCREW M4X20		1				
039	346578-2	BAND B		1				
040	911138-5	PAN HEAD SCREW M4X20		1				
041	346579-0	TANK HOLDER		1				
042	224435-3	INNER FLANGE 28		1				
043	224177-9	OUTER FLANGE 28		1				
044	922212-4	HEX. SOCKET HEAD BOLT M5X12		1				
045	265760-3	THUMB SCREW M5X10		1				
046	942101-7	SPRING WASHER 5		1				
047	941101-4	FLAT WASHER 5		1				
048	265056-2	+ PAN HEAD SCREW M5		1				
049	252103-8	HEX. LOCK NUT M5-8		1				
050	265760-3	THUMB SCREW M5X10		1				
051	942101-7	SPRING WASHER 5		1				
052	941101-4	FLAT WASHER 5		1				
053	346587-1	DEPTH GUIDE		1				
054	268004-0	PIN 4		1				
055	961017-7	STOP RING E-3		1				
056	268028-6	PIN 5		1				
057	346586-3	ANGULAR GUIDE		1				
058	961017-7	STOP RING E-3		1				
059	135503-6	BASE ASS'Y		1				
D10		INC. 53-58						
060	911138-5	PAN HEAD SCREW M4X20		1				
061	453557-4	CAP B		1				
062	213605-9	O RING 50		1				
063	453556-6	WATER SUPPLY TANK		1				
064	261056-0	RUBBER WASHER 12		1				
065	453554-0	CAP A		1				
066	187277-5	WATER SUPPLY TANK SET		1				
D10		INC. 61-65						
067	152536-6	WATER SUPPLY COCK COMPLETE		1				
068	412107-4	VINYL TUBE 5		1				
069	187278-3	WATER SUPPLY COCK SET		1				
D10		INC. 37,67,68						
070	187276-7	TANK HOLDER SET		1				
D10		INC. 39-41,60						
A01	783202-0	HEX. WRENCH 4		1				
A02	B-21098	DIAMOND WHEEL 85MM TIM WET EN		1				
A03B	***DC10WA	DC10WA BATTERY CHARGER		1				
A03D	***DC10WA	DC10WA BATTERY CHARGER		1				
A04B	194550-6	BATTERY BL1013 SET		2				
A04D	194550-6	BATTERY BL1013 SET		2				
A05C	821551-8	CONNECTOR PLASTIC CASE (TYPE3)		1				
C10	453974-8	LATCH		4				
A05D	821551-8	CONNECTOR PLASTIC CASE (TYPE3)		1				
C10	453974-8	LATCH		4				

