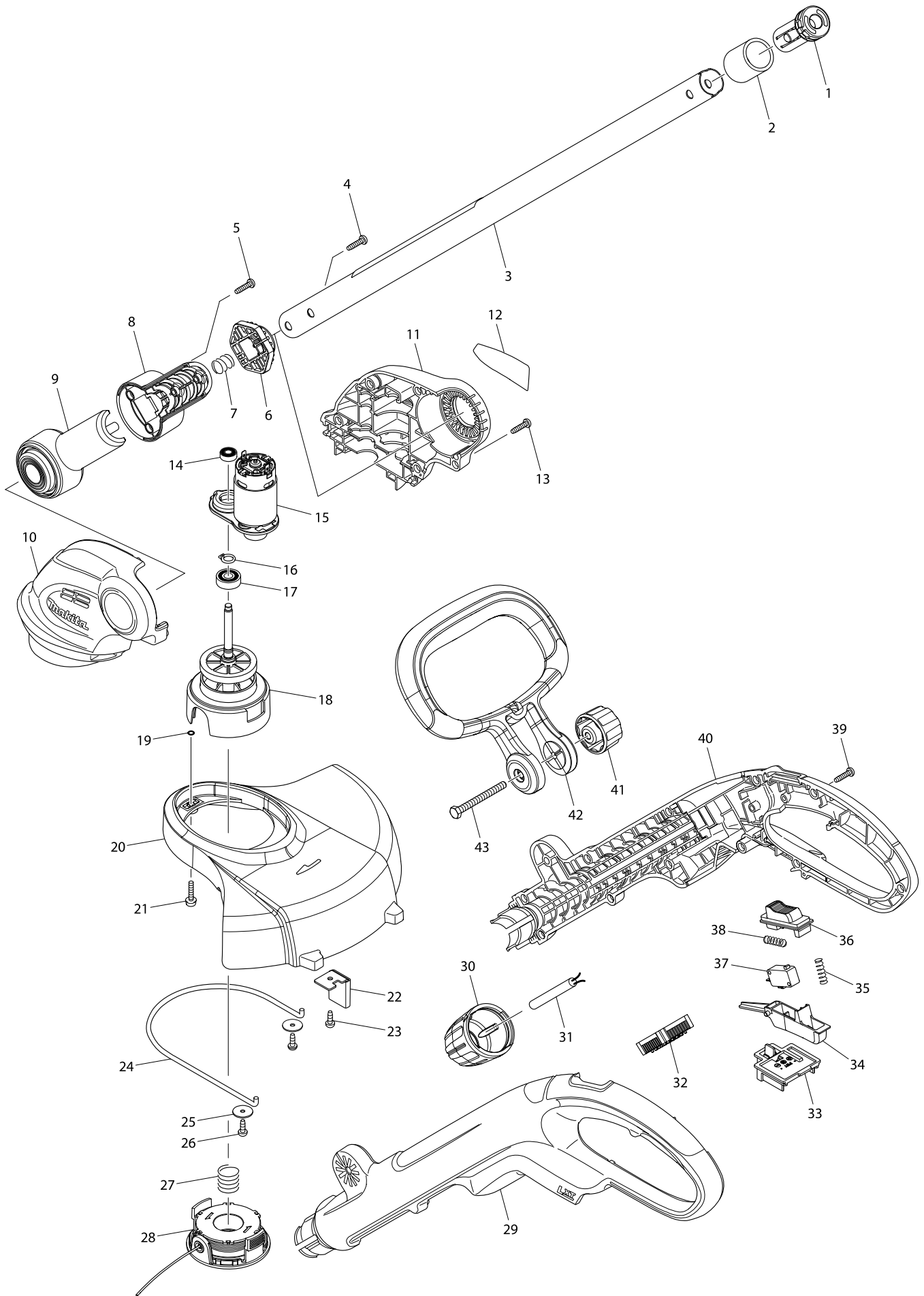


Model No. BUR181 260MM CORDLESS STRING TRIMMER



Model No. BUR181 260MM CORDLESS STRING TRIMMER

Item	Parts No.	Description	I/C	Qty	N/O	Opt. 1	Opt. 2	Note
001	453357-2	PIPE CAP		1				
002	422089-2	RUBBER SLEEVE 25		1				
003	141339-3	PIPE25 COMPLETE		1				
C10	890862-2	CAUTION LABEL		1				
004	265995-6	TAPPING SCREW 4X18		2				
005	265995-6	TAPPING SCREW 4X18		2				
006	451896-6	LOCK OFF BUTTON B		1				
007	231113-8	COMPRESSION SPRING 12		1				
008	188870-8	PIPE HOLDER SET		1				
D10		INC. 9						
009	188870-8	PIPE HOLDER SET		1				
D10		INC. 8						
010	187413-3	MOTOR HOUSING SET		1				
C10	263002-9	RUBBER PIN 4		2				
C20	263005-3	RUBBER PIN 6		2				
C30	931102-0	HEX. NUT M4		2				
D10		INC. 11						
011	187413-3	MOTOR HOUSING SET		1				
C10	263002-9	RUBBER PIN 4		2				
C20	263005-3	RUBBER PIN 6		2				
C30	931102-0	HEX. NUT M4		2				
D10		INC. 10						
012	896763-2	BUR181 NAME PLATE		1				
013	265995-6	TAPPING SCREW 4X18		5				
014	210006-2	BALL BEARING 696ZZ		1				
015	629932-8	DC MOTOR		1				
016	961004-6	RETAINING RING S-8		1				
017	211032-4	BALL BEARING 608ZZ		1				
018	141338-5	GEAR SHAFT COMPLETE		1				
C10	227283-9	SPUR GEAR 48		1				
C20	266744-4	+ PAN HEAD SCREW M4X8		1				
C30	326159-8	GEAR SHAFT		1				
C40	453360-3	SPOOL HOLDER		1				
019	213023-1	O RING 4		2				
020	453353-0	SAFETY COVER		1				
021	911139-3	PAN HEAD SCREW M4X20 WG		2				
022	123169-4	CORD CUTTER ASSEMBLY		1				
023	266020-6	TAPPING SCREW 4X12		1				
024	326128-9	WIRE GUARD		1				
025	267071-2	FLAT WASHER 4		2				
026	266020-6	TAPPING SCREW 4X12		2				
027	231352-0	COMPRESSION SPRING 17		1				
028	196146-9	SPOOL SET		1				
029	187416-7	HANDLE SET		1				
C10	263005-3	RUBBER PIN 6		2				
D10		INC. 40						
030	453344-1	LOCK SLEEVE		1				
031	699058-0	POWER SUPPLY CORD UNIT		1				

