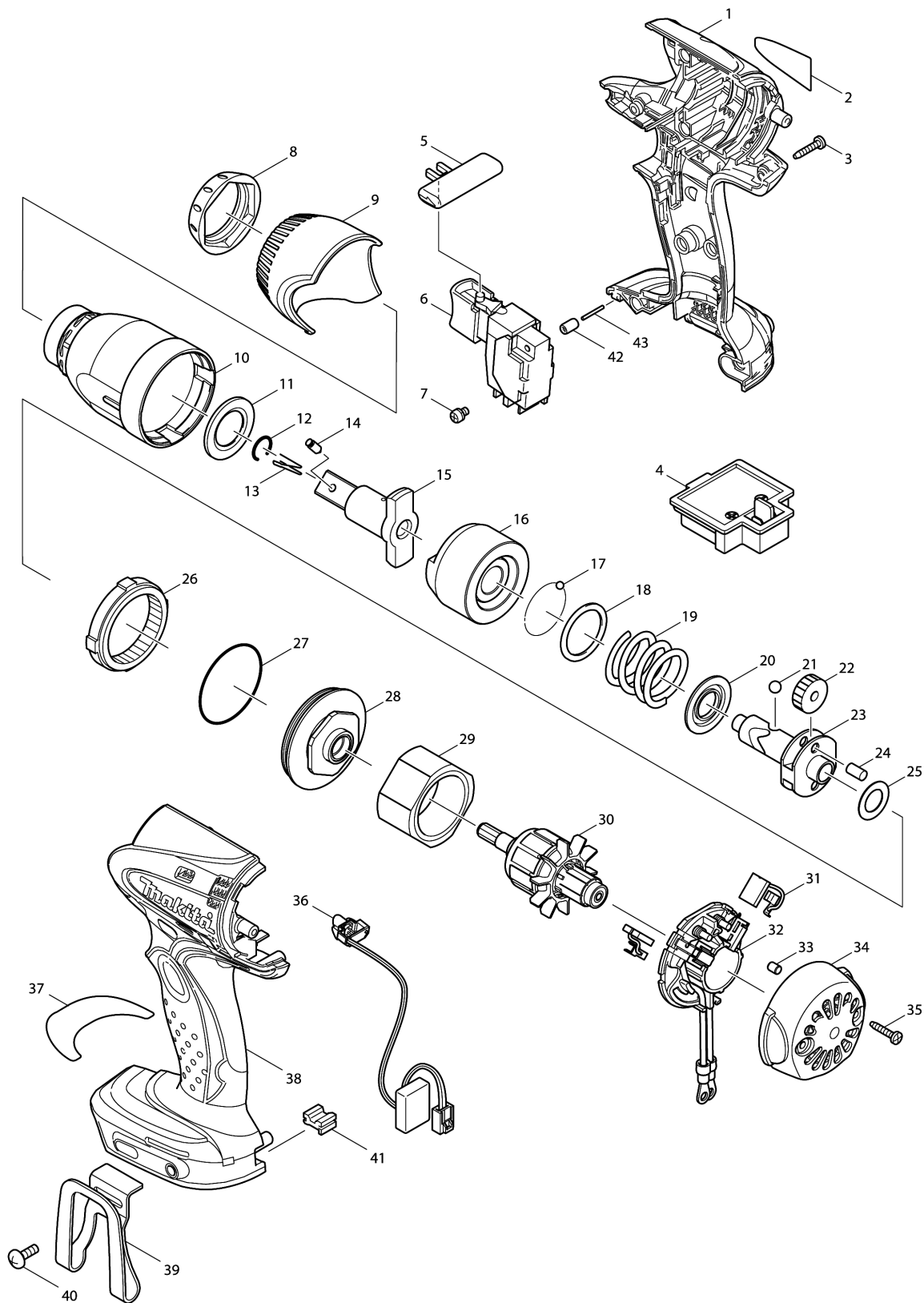


Model No.BTW251 CORDLESS IMPACT WRENCH



Model No.BTW251 CORDLESS IMPACT WRENCH

Item	Parts No.	Description	I/C	Qty	New/Old	Opt. 1	Opt. 2	Note
001A	188191-8	HOUSING SET		1	*			
C10	263005-3	RUBBER PIN 6		2	*			
D10		INC. 38			*			
001B	188191-8	HOUSING SET		1	*			
C10	263005-3	RUBBER PIN 6		2	*			
D10		INC. 38			*			
001-1A	188243-5	HOUSING SET	<	1				
C10	263005-3	RUBBER PIN 6		2				
D10		INC. 38						
001-1B	188243-5	HOUSING SET	<	1				
C10	263005-3	RUBBER PIN 6		2				
D10		INC. 38						
001-1E	188243-5	HOUSING SET		1				
C10	263005-3	RUBBER PIN 6		2				
D10		INC. 38						
001-1F	188243-5	HOUSING SET		1				
C10	263005-3	RUBBER PIN 6		2				
D10		INC. 38						
002	862818-5	BTW251 NAME PLATE		1				
003	266130-9	TAPPING SCREW BIND PT 3X16		8				
004A	643812-4	TERMINAL		1	*			
004B	643812-4	TERMINAL		1	*			
004-1A	643843-3	TERMINAL	<	1	*			
004-1B	643843-3	TERMINAL	<	1	*			
004-2A	643852-2	TERMINAL	X	1				
004-2B	643852-2	TERMINAL	X	1				
004-2E	643852-2	TERMINAL		1				
004-2F	643852-2	TERMINAL		1				
005	419041-9	F/R CHANGE LEVER		1				
006A	650564-0	SWITCH TG553FSB-1		1	*			
006B	650564-0	SWITCH TG553FSB-1		1	*			
006-1A	650652-3	SWITCH TG553FSB-1B	X	1				
006-1B	650652-3	SWITCH TG553FSB-1B	X	1				
006-1E	650652-3	SWITCH TG553FSB-1B		1				
006-1F	650652-3	SWITCH TG553FSB-1B		1				
007	652045-0	+PAN HEAD SCREW M3.5X5		2				
008A	421964-9	BUMPER		1	*			
008B	421964-9	BUMPER		1	*			
008-1A	424155-1	BUMPER	S	1	*			
008-1B	424155-1	BUMPER	S	1	*			
008-2A	424155-1	BUMPER	O	1	*			
008-2B	424155-1	BUMPER	O	1	*			

Please order the parts with part number.

Print Date 25/6/2019

Model No.BTW251 CORDLESS IMPACT WRENCH

Item	Parts No.	Description	I/C	Qty	New/Old	Opt. 1	Opt. 2	Note
008-3A	424375-7	BUMPER	S	1				
008-3B	424375-7	BUMPER	S	1				
008-3E	424375-7	BUMPER		1				
008-3F	424375-7	BUMPER		1				
009A	419514-2	HAMMER CASE COVER		1	*			
009B	419514-2	HAMMER CASE COVER		1	*			
009-1A	450808-6	HAMMER CASE COVER	S	1	*			
009-1B	450808-6	HAMMER CASE COVER	S	1	*			
009-2A	451361-5	HAMMER CASE COVER	<	1	*			
009-2B	451361-5	HAMMER CASE COVER	<	1	*			
009-3A	452439-7	HAMMER CASE COVER	S	1				
009-3B	452439-7	HAMMER CASE COVER	S	1				
009-3E	452439-7	HAMMER CASE COVER		1				
009-3F	452439-7	HAMMER CASE COVER		1				
010A	158144-1	HAMMER CASE COMPLETE		1	*			
010B	158144-1	HAMMER CASE COMPLETE		1	*			
010-1A	140171-2	HAMMER CASE COMPLETE	S	1				
010-1B	140171-2	HAMMER CASE COMPLETE	S	1				
010-1E	140171-2	HAMMER CASE COMPLETE		1				
010-1F	140171-2	HAMMER CASE COMPLETE		1				
011	261116-8	NYLON WASHER 18		1				
012	231907-1	RING SPRING 10		1				
015	324706-9	ANVIL		1				
016	324703-5	HAMMER		1				
017	216001-0	STEEL BALL 3.5		24				
018	267175-0	FLAT WASHER 24		1				
019A	233478-4	COMPRESSION SPRING 25		1	*			
019B	233478-4	COMPRESSION SPRING 25		1	*			
019-1A	234082-2	COMPRESSION SPRING 25	<	1	*			
019-1B	234082-2	COMPRESSION SPRING 25	<	1	*			
019-2A	234223-0	COMPRESSION SPRING 25	<	1	*			
019-2B	234223-0	COMPRESSION SPRING 25	<	1	*			
019-2E	234223-0	COMPRESSION SPRING 25		1	*			
019-2F	234223-0	COMPRESSION SPRING 25		1	*			
019-3	234337-5	COMPRESSION SPRING 25	<	1				
020	267766-7	CUP WASHER 14		1				
021	216011-7	STEEL BALL 5.6		2				
022A	227027-7	SPUR GEAR 22		2	*			
022B	227027-7	SPUR GEAR 22		2	*			
022-1A	227233-4	SPUR GEAR 22	<	2				
022-1B	227233-4	SPUR GEAR 22	<	2				
022-1E	227233-4	SPUR GEAR 22		2				

Please order the parts with part number.

Print Date 25/6/2019

Model No.BTW251 CORDLESS IMPACT WRENCH

Item	Parts No.	Description	I/C	Qty	New/Old	Opt. 1	Opt. 2	Note
022-1F	227233-4	SPUR GEAR 22		2				
023	324220-5	SPINDLE		1				
024	256253-1	PIN 5		2				
025	267212-0	FLAT WASHER 12		1				
026	227150-8	INTERNAL GEAR 51		1				
027	213507-9	O RING 40		1				
028	158145-9	BEARING BOX COMPLETE		1				
C10	211140-1	BALL BEARING 6901LLB		1	*			
029	638495-3	YORK UNIT		1				
030A	619194-6	ARMATURE		1	*			
030B	619194-6	ARMATURE		1	*			
030-1A	619253-6	ARMATURE	O	1	*			
030-1B	619253-6	ARMATURE	O	1	*			
030-1E	619253-6	ARMATURE		1	*			
030-1F	619253-6	ARMATURE		1	*			
030-2	619375-2	ARMATURE	<	1				
031A	194159-4	CARBON BRUSH CB-436		1	*			
031B	194159-4	CARBON BRUSH CB-436		1	*			
031-1A	194427-5	CARBON BRUSH CB-440	<	1	*			
031-1B	194427-5	CARBON BRUSH CB-440	<	1	*			
031-2A	194427-5	CARBON BRUSH CB-440	X	1	*			
031-2B	194427-5	CARBON BRUSH CB-440	X	1	*			
031-2E	194427-5	CARBON BRUSH CB-440		1	*			
031-2F	194427-5	CARBON BRUSH CB-440		1	*			
031-3	196854-2	CARBON BRUSH CB-448	<	1	*			
031-4	196854-2	CARBON BRUSH CB-448	S	1	*			
031-5	198887-3	CARBON BRUSH CB-5	S	1				
032A	638498-7	BRUSH HOLDER COMPLETE		1	*			
032B	638498-7	BRUSH HOLDER COMPLETE		1	*			
032-1A	638853-3	BRUSH HOLDER COMPLETE	X	1	*			
032-1B	638853-3	BRUSH HOLDER COMPLETE	X	1	*			
032-1E	638853-3	BRUSH HOLDER COMPLETE		1	*			
032-1F	638853-3	BRUSH HOLDER COMPLETE		1	*			
032-2	632G50-5	BRUSH HOLDER COMPLETE	S	1	*			
C10	689181-9	SPACER		2	*			
D10		INC. 31			*			
032-3	632L19-9	BRUSH HOLDER COMPLETE	<	1				
D10		INC. 31						
033	263032-0	RUBBER PIN 4		2				
034	418981-8	REAR COVER		1				
035	266130-9	TAPPING SCREW BIND PT 3X16		2				
036	631693-8	LIGHT CIRCUIT		1				

Please order the parts with part number.

Print Date 25/6/2019

Model No.BTW251 CORDLESS IMPACT WRENCH

Item	Parts No.	Description	I/C	Qty	New/Old	Opt. 1	Opt. 2	Note
038A	188191-8	HOUSING SET		1	*			
C10	263005-3	RUBBER PIN 6		2	*			
D10		INC. 1			*			
038B	188191-8	HOUSING SET		1	*			
C10	263005-3	RUBBER PIN 6		2	*			
D10		INC. 1			*			
038-1A	188243-5	HOUSING SET	<	1				
C10	263005-3	RUBBER PIN 6		2				
D10		INC. 1						
038-1B	188243-5	HOUSING SET	<	1				
C10	263005-3	RUBBER PIN 6		2				
D10		INC. 1						
038-1E	188243-5	HOUSING SET		1				
C10	263005-3	RUBBER PIN 6		2				
D10		INC. 1						
038-1F	188243-5	HOUSING SET		1				
C10	263005-3	RUBBER PIN 6		2				
D10		INC. 1						
039A	324705-1	HOOK		1	*			
039B	324705-1	HOOK		1	*			
039-1A	346317-0	HOOK	O	1				
039-1B	346317-0	HOOK	O	1				
039-1E	346317-0	HOOK		1				
039-1F	346317-0	HOOK		1				
040	251314-2	+ SCREW M4X12		1				
041	424026-2	CUSHION		1				
042	263036-2	RUBBER PIN 5		1				
043	268184-2	PIN 1.5		1				
A01B	***DC18RA	DC18RA FAST CHARGER		1	*			
A01-1B	***DC18RC	DC18RC FAST CHARGER	<	1				
A01-1E	***DC18RC	DC18RC FAST CHARGER		1				
A02B	194204-5	BATTERY BL1830 SET		2	*			
A02-1B	194204-5	BATTERY BL1830 SET	O	2	*			
A02-2B	194204-5	BATTERY BL1830 SET	O	2	*			
A02-3B	194204-5	BATTERY BL1830 SET	O	2	*			
A02-4B	194204-5	BATTERY BL1830 SET	O	2	*			
A02-4E	194204-5	BATTERY BL1830 SET		2	*			
A02-5B	194204-5	BATTERY BL1830 SET	O	2	*			
A02-5E	194204-5	BATTERY BL1830 SET	O	2	*			
A02-6B	197600-6	BATTERY BL1830B SET	<	2	*			
A02-6E	197600-6	BATTERY BL1830B SET	<	2	*			
A02-7B	197600-6	BATTERY BL1830B SET	O	2				

Please order the parts with part number.

Print Date 25/6/2019

Model No.BTW251 CORDLESS IMPACT WRENCH

Item	Parts No.	Description	I/C	Qty	New/Old	Opt. 1	Opt. 2	Note
A02-7E	197600-6	BATTERY BL1830B SET	O	2				
A03B	158210-4	PLASTIC CARRYING CASE COMPLETE		1	*			
C10	324207-7	SHAFT		1	*			
C20	413098-2	PLATE		4	*			
C30	417724-5	LATCH		2	*			
C40	419215-2	PLASTIC CASE LID		1	*			
C50	419216-0	HANDLE		1	*			
A03E	821550-0	CONNECTOR PLASTIC CASE (TYPE2)		1	*			
C10	453974-8	LATCH		4	*			
A03F	821550-0	CONNECTOR PLASTIC CASE (TYPE2)		1	*			
C10	453974-8	LATCH		4	*			
A03-1B	824753-5	PLASTIC CARRYING CASE	O	1	*			
C10	324207-7	SHAFT		1	*			
C20	413098-2	PLATE		4	*			
C30	417724-5	LATCH		2	*			
C40	419215-2	PLASTIC CASE LID		1	*			
C50	419216-0	HANDLE		1	*			
A03-1E	821550-0	CONNECTOR PLASTIC CASE (TYPE2)	<	1				
C10	453974-8	LATCH		4				
A03-1F	821550-0	CONNECTOR PLASTIC CASE (TYPE2)	<	1				
C10	453974-8	LATCH		4				
A03-2B	141205-4	PLASTIC CARRYING CASE	<	1				
C10	324207-7	SHAFT		1				
C20	413098-2	PLATE		4				
C30	417724-5	LATCH		2				
C40	419215-2	PLASTIC CASE LID		1				
C50	419216-0	HANDLE		1				
A04B	804680-2	BTW251RFE PLASTIC CASE LABEL		1				
A04E	837670-0	INNER TRAY		1				
A04F	837670-0	INNER TRAY		1				
A05B	450128-8	BATTERY COVER		1				
A05E	450128-8	BATTERY COVER		1				
A06E	800S14-1	BTW251RFJ INDICATION LABEL		1				
A06F	800S16-7	BTW251ZJ INDICATION LABEL		1				
A07E	800S15-9	BTW251RFJ PLASTIC CASE LABEL		2				
A07F	800S17-5	BTW251ZJ PLASTIC CASE LABEL		2				

Please order the parts with part number.

Print Date 25/6/2019