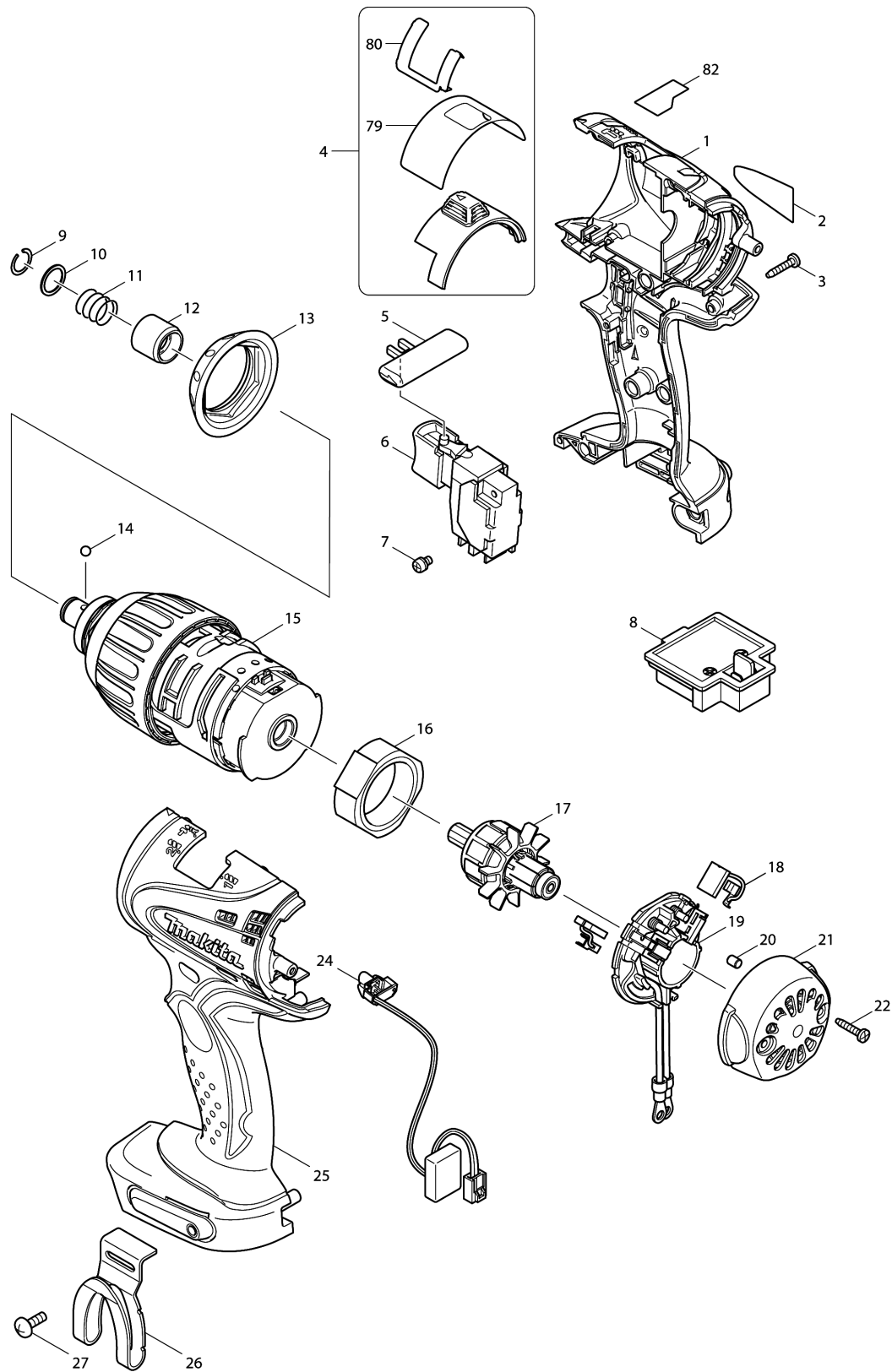
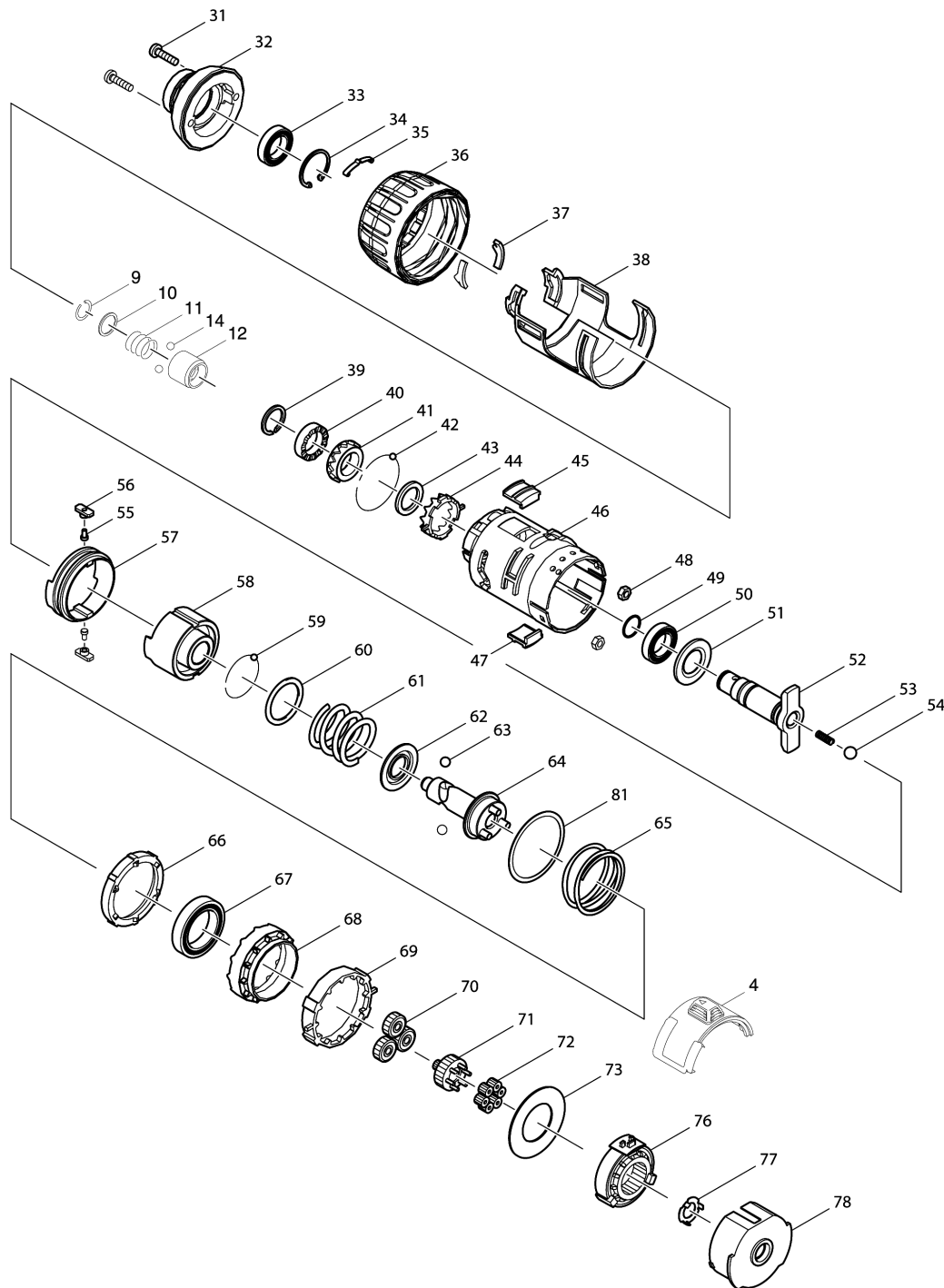


Model No.BTP130 CORDLESS 4 MODE IMPACT DRIVER



Model No.BTP130 CORDLESS 4 MODE IMPACT DRIVER



Model No.BTP130 CORDLESS 4 MODE IMPACT DRIVER

| Item | Parts No. | Description | I/C | Qty | New/Old | Opt. 1 | Opt. 2 | Note |
|--------|-----------|-------------------------------|-----|-----|---------|--------|--------|------|
| 001A | 188082-3 | HOUSING SET | | 1 | * | | | |
| D10 | | INC. 25 | | | * | | | |
| 001-1A | 188263-9 | HOUSING SET | < | 1 | * | | | |
| D10 | | INC. 25 | | | * | | | |
| 001-2A | 188653-6 | HOUSING SET | < | 1 | | | | |
| D10 | | INC. 25 | | | | | | |
| 001-2B | 188653-6 | HOUSING SET | | 1 | | | | |
| D10 | | INC. 25 | | | | | | |
| 001-2C | 188653-6 | HOUSING SET | | 1 | | | | |
| D10 | | INC. 25 | | | | | | |
| 002 | 862289-6 | BTP130 NAME PLATE | | 1 | | | | |
| 003 | 266130-9 | TAPPING SCREW BIND PT 3X16 | | 9 | | | | |
| 004A | 125329-4 | MODE CHANGE LEVER ASS'Y | | 1 | * | | | |
| D10 | | INC. 79,80 | | | * | | | |
| 004-1A | 125329-4 | MODE CHANGE LEVER ASS'Y | < | 1 | | | | |
| D10 | | INC. 79,80 | | | | | | |
| 004-1B | 125329-4 | MODE CHANGE LEVER ASS'Y | | 1 | | | | |
| D10 | | INC. 79,80 | | | | | | |
| 004-1C | 125329-4 | MODE CHANGE LEVER ASS'Y | | 1 | | | | |
| D10 | | INC. 79,80 | | | | | | |
| 005 | 419041-9 | F/R CHANGE LEVER | | 1 | | | | |
| 006 | 650568-2 | SWITCH TG553FSB-2 | | 1 | | | | |
| 007 | 652045-0 | +PAN HEAD SCREW M3.5X5 | | 2 | | | | |
| 008 | 643811-6 | TERMINAL | | 1 | | | | |
| 009 | 231951-8 | RING SPRING 11 | | 1 | | | | |
| 010 | 267085-1 | FLAT WASHER 12 | | 1 | | | | |
| 011 | 233005-7 | COMPRESSION SPRING 13 | | 1 | | | | |
| 012 | 324420-7 | SLEEVE | | 1 | | | | |
| 013A | 421913-6 | BUMPER | | 1 | * | | | |
| 013-1A | 424197-5 | BUMPER | O | 1 | | | | |
| 013-1B | 424197-5 | BUMPER | | 1 | | | | |
| 013-1C | 424197-5 | BUMPER | | 1 | | | | |
| 014 | 216001-0 | STEEL BALL 3.5 | | 2 | | | | |
| 015A | 125330-9 | IMPACT ASS'Y | | 1 | * | | | |
| D10 | | INC. 31-73,76-78,81 | | | * | | | |
| 015-1A | 125330-9 | IMPACT ASS'Y | < | 1 | * | | | |
| D10 | | INC. 31-73,76-78,81 | | | * | | | |
| 015-2A | 125330-9 | IMPACT ASS'Y | < | 1 | * | | | |
| D10 | | INC. 31-73,76-78,81 | | | * | | | |
| 015-3A | 125515-7 | IMPACT ASS'Y | O | 1 | | | | |
| D10 | | INC. 9-14,31-73,76-78,81 | | | | | | |
| 015-3B | 125515-7 | IMPACT ASS'Y | | 1 | | | | |

Please order the parts with part number.

Print Date 25/6/2019

Model No.BTP130 CORDLESS 4 MODE IMPACT DRIVER

| Item | Parts No. | Description | I/C | Qty | New/Old | Opt. 1 | Opt. 2 | Note |
|--------|-----------|-------------------------------|-----|-----|---------|--------|--------|------|
| D10 | | INC. 9-14,31-73,76-78,81 | | | | | | |
| 015-3C | 125515-7 | IMPACT ASS'Y | | 1 | | | | |
| D10 | | INC. 9-14,31-73,76-78,81 | | | | | | |
| 016 | 638396-5 | YOKE UNIT | | 1 | | | | |
| 017A | 619177-6 | ARMATURE | | 1 | * | | | |
| 017-1A | 619245-5 | ARMATURE | O | 1 | * | | | |
| 017-1B | 619245-5 | ARMATURE | | 1 | * | | | |
| 017-1C | 619245-5 | ARMATURE | | 1 | * | | | |
| 017-2 | 619381-7 | ARMATURE | < | 1 | | | | |
| 018A | 194159-4 | CARBON BRUSH CB-436 | | 1 | * | | | |
| 018-1A | 194427-5 | CARBON BRUSH CB-440 | < | 1 | * | | | |
| 018-2A | 194427-5 | CARBON BRUSH CB-440 | X | 1 | | | | |
| 018-2B | 194427-5 | CARBON BRUSH CB-440 | | 1 | | | | |
| 018-2C | 194427-5 | CARBON BRUSH CB-440 | | 1 | | | | |
| 019A | 638424-6 | BRUSH HOLDER COMPLETE | | 1 | * | | | |
| C10 | 231696-8 | TORSION SPRING R | | 1 | * | | | |
| C20 | 231697-6 | TORSION SPRING L | | 1 | * | | | |
| 019-1A | 638857-5 | BRUSH HOLDER COMPLETE | < | 1 | | | | |
| C10 | 231696-8 | TORSION SPRING R | | 1 | | | | |
| C20 | 231697-6 | TORSION SPRING L | | 1 | | | | |
| C30 | 688161-2 | LINE FILTER | | 1 | | | | |
| 019-1B | 638857-5 | BRUSH HOLDER COMPLETE | | 1 | | | | |
| C10 | 231696-8 | TORSION SPRING R | | 1 | | | | |
| C20 | 231697-6 | TORSION SPRING L | | 1 | | | | |
| C30 | 688161-2 | LINE FILTER | | 1 | | | | |
| 019-1C | 638857-5 | BRUSH HOLDER COMPLETE | | 1 | | | | |
| C10 | 231696-8 | TORSION SPRING R | | 1 | | | | |
| C20 | 231697-6 | TORSION SPRING L | | 1 | | | | |
| C30 | 688161-2 | LINE FILTER | | 1 | | | | |
| 020 | 263032-0 | RUBBER PIN 4 | | 2 | | | | |
| 021 | 418981-8 | REAR COVER | | 1 | | | | |
| 022 | 266130-9 | TAPPING SCREW BIND PT 3X16 | | 2 | | | | |
| 024 | 631631-0 | LIGHT CIRCUIT | | 1 | | | | |
| 025A | 188082-3 | HOUSING SET | | 1 | * | | | |
| D10 | | INC. 1 | | | * | | | |
| 025-1A | 188263-9 | HOUSING SET | < | 1 | * | | | |
| D10 | | INC. 1 | | | * | | | |
| 025-2A | 188653-6 | HOUSING SET | < | 1 | | | | |
| D10 | | INC. 1 | | | | | | |
| 025-2B | 188653-6 | HOUSING SET | | 1 | | | | |
| D10 | | INC. 1 | | | | | | |
| 025-2C | 188653-6 | HOUSING SET | | 1 | | | | |

Please order the parts with part number.

Print Date 25/6/2019

Model No.BTP130 CORDLESS 4 MODE IMPACT DRIVER

| Item | Parts No. | Description | I/C | Qty | New/Old | Opt. 1 | Opt. 2 | Note |
|--------|-----------|----------------------|-----|-----|---------|--------|--------|------|
| D10 | | INC. 1 | | | | | | |
| 026A | 324553-8 | HOOK | | 1 | * | | | |
| 026-1A | 324705-1 | HOOK | O | 1 | * | | | |
| 026-2A | 346317-0 | HOOK | O | 1 | | | | |
| 026-2B | 346317-0 | HOOK | | 1 | | | | |
| 026-2C | 346317-0 | HOOK | | 1 | | | | |
| 027 | 251314-2 | + SCREW M4X12 | | 1 | | | | |
| 031A | 911127-0 | PAN HEAD SCREW M4X16 | | 2 | * | | | |
| 031-1A | 265178-8 | PAN HEAD SCREW M4X16 | < | 2 | | | | |
| 031-1B | 265178-8 | PAN HEAD SCREW M4X16 | | 2 | | | | |
| 031-1C | 265178-8 | PAN HEAD SCREW M4X16 | | 2 | | | | |
| 032 | 318011-4 | HAMMER CASE | | 1 | | | | |
| 033-1 | 211233-4 | BALL BEARING 6802LLB | | 1 | | | | |
| 034 | 962113-4 | RETAINING RING R-24 | | 1 | | | | |
| 035 | 232227-6 | LEAF SPRING | | 1 | | | | |
| 036 | 419372-6 | CHANGE RING | | 1 | | | | |
| 037 | 345688-2 | PLATE A | | 2 | | | | |
| 038 | 419370-0 | CHANGE CASE | | 1 | | | | |
| 039 | 961085-0 | RETAINING RING WR-15 | | 1 | | | | |
| 040A | 223161-1 | CAM A | | 1 | * | | | |
| 040-1A | 223161-1 | CAM A | < | 1 | | | | |
| 040-1B | 223161-1 | CAM A | | 1 | | | | |
| 040-1C | 223161-1 | CAM A | | 1 | | | | |
| 041 | 223162-9 | CAM B | | 1 | | | | |
| 042 | 216001-0 | STEEL BALL 3.5 | | 16 | | | | |
| 043 | 267318-4 | FLAT WASHER 15 | | 1 | | | | |
| 044 | 324655-0 | HAMMER CHANGE LEVER | | 1 | | | | |
| 045 | 419374-2 | PUSHER U | | 1 | | | | |
| 046 | 419369-5 | GEAR CASE | | 1 | | | | |
| 047 | 419375-0 | PUSHER L | | 1 | | | | |
| 048 | 931102-0 | HEX. NUT M4 | | 2 | | | | |
| 049 | 213166-9 | O RING 12.5 | | 1 | | | | |
| 050-1 | 211233-4 | BALL BEARING 6802LLB | | 1 | | | | |
| 051 | 261130-4 | NYLON WASHER 15 | | 1 | | | | |
| 052 | 324661-5 | ANVIL M | | 1 | | | | |
| 053 | 233285-5 | COMPRESSION SPRING 4 | | 1 | | | | |
| 054 | 216009-4 | STEEL BALL 7.1 | | 1 | | | | |
| 055 | 256495-7 | SHOULDER PIN 3-6 | | 2 | | | | |
| 056 | 419376-8 | GUIDE | | 2 | | | | |
| 057 | 257276-2 | RING 40 | | 1 | | | | |
| 058 | 324658-4 | HAMMER | | 1 | | | | |
| 059 | 216001-0 | STEEL BALL 3.5 | | 23 | | | | |

Please order the parts with part number.

Print Date 25/6/2019

Model No.BTP130 CORDLESS 4 MODE IMPACT DRIVER

| Item | Parts No. | Description | I/C | Qty | New/Old | Opt. 1 | Opt. 2 | Note |
|--------|-----------|----------------------------|-----|-----|---------|--------|--------|------|
| 060 | 267175-0 | FLAT WASHER 24 | | 1 | | | | |
| 061A | 233430-2 | COMPRESSION SPRING 24 | | 1 | * | | | |
| 061-1A | 234080-6 | COMPRESSION SPRING 24 | X | 1 | | | | |
| 061-1B | 234080-6 | COMPRESSION SPRING 24 | | 1 | | | | |
| 061-1C | 234080-6 | COMPRESSION SPRING 24 | | 1 | | | | |
| 062 | 267766-7 | CUP WASHER 14 | | 1 | | | | |
| 063 | 216011-7 | STEEL BALL 5.6 | | 2 | | | | |
| 064 | 154856-4 | SPINDLE COMPLETE | | 1 | | | | |
| 065 | 233462-9 | COMPRESSION SPRING 41 | | 1 | | | | |
| 066 | 223163-7 | CLUTCH CAM | | 1 | | | | |
| 067-1 | 211375-4 | BALL BEARING 6805LLB | | 1 | | | | |
| 068 | 227162-1 | INTERNAL GEAR 50 | | 1 | | | | |
| 069 | 324656-8 | CLUTCH CHANGE LEVER | | 1 | | | | |
| 070 | 227159-0 | SPUR GEAR 22 | | 3 | | | | |
| 071A | 154855-6 | SPUR GEAR 7 COMPLETE | | 1 | * | | | |
| 071-1A | 158553-4 | SPUR GEAR 7-38 COMPLETE | O | 1 | | | | |
| 071-1B | 158553-4 | SPUR GEAR 7-38 COMPLETE | | 1 | | | | |
| 071-1C | 158553-4 | SPUR GEAR 7-38 COMPLETE | | 1 | | | | |
| 072 | 227160-5 | SPUR GEAR 10 | | 6 | | | | |
| 073 | 267317-6 | FLAT WASHER 25 | | 1 | | | | |
| 076 | 158106-9 | SPEED CHANGE RING COMPLETE | | 1 | | | | |
| 077 | 267799-2 | WASHER 10 | | 1 | | | | |
| 078 | 419371-8 | MOTOR BLACKET | | 1 | | | | |
| 079 | 345689-0 | PLATE B | | 1 | | | | |
| 080 | 345690-5 | PLATE C | | 1 | | | | |
| 081 | 267337-0 | FLAT WASHER 40 | | 1 | | | | |
| A01A | ***DC18RA | DC18RA FAST CHARGER | | 1 | * | | | |
| A01-1A | ***DC18RC | DC18RC FAST CHARGER | < | 1 | | | | |
| A01-1B | ***DC18RC | DC18RC FAST CHARGER | | 1 | | | | |
| A02-1A | 194065-3 | BATTERY BL1430 SET | | 2 | * | | | |
| A02-2A | 194065-3 | BATTERY BL1430 SET | O | 2 | * | | | |
| A02-3A | 194065-3 | BATTERY BL1430 SET | O | 2 | * | | | |
| A02-4A | 194065-3 | BATTERY BL1430 SET | O | 2 | * | | | |
| A02-5A | 194065-3 | BATTERY BL1430 SET | O | 2 | * | | | |
| A02-6A | 194065-3 | BATTERY BL1430 SET | O | 2 | * | | | |
| A02-6B | 194065-3 | BATTERY BL1430 SET | | 2 | * | | | |
| A02-7A | 194065-3 | BATTERY BL1430 SET | O | 2 | * | | | |
| A02-7B | 194065-3 | BATTERY BL1430 SET | O | 2 | * | | | |
| A02-8A | 197616-1 | BATTERY BL1430B SET | < | 2 | * | | | |
| A02-8B | 197616-1 | BATTERY BL1430B SET | < | 2 | * | | | |
| A02-9A | 197616-1 | BATTERY BL1430B SET | O | 2 | | | | |
| A02-9B | 197616-1 | BATTERY BL1430B SET | O | 2 | | | | |

Please order the parts with part number.

Print Date 25/6/2019

Model No.BTP130 CORDLESS 4 MODE IMPACT DRIVER

| Item | Parts No. | Description | I/C | Qty | New/Old | Opt. 1 | Opt. 2 | Note |
|--------|-----------|--------------------------------|-----|-----|---------|--------|--------|------|
| A03B | 821550-0 | CONNECTOR PLASTIC CASE (TYPE2) | | 1 | * | | | |
| C10 | 453974-8 | LATCH | | 4 | * | | | |
| A03C | 821550-0 | CONNECTOR PLASTIC CASE (TYPE2) | | 1 | * | | | |
| C10 | 453974-8 | LATCH | | 4 | * | | | |
| A03-1A | 158210-4 | PLASTIC CARRYING CASE COMPLETE | | 1 | * | | | |
| C10 | 324207-7 | SHAFT | | 1 | * | | | |
| C20 | 413098-2 | PLATE | | 4 | * | | | |
| C30 | 417724-5 | LATCH | | 2 | * | | | |
| C40 | 419215-2 | PLASTIC CASE LID | | 1 | * | | | |
| C50 | 419216-0 | HANDLE | | 1 | * | | | |
| A03-1B | 821550-0 | CONNECTOR PLASTIC CASE (TYPE2) | < | 1 | | | | |
| C10 | 453974-8 | LATCH | | 4 | | | | |
| A03-1C | 821550-0 | CONNECTOR PLASTIC CASE (TYPE2) | < | 1 | | | | |
| C10 | 453974-8 | LATCH | | 4 | | | | |
| A03-2A | 824753-5 | PLASTIC CARRYING CASE | O | 1 | * | | | |
| C10 | 324207-7 | SHAFT | | 1 | * | | | |
| C20 | 413098-2 | PLATE | | 4 | * | | | |
| C30 | 417724-5 | LATCH | | 2 | * | | | |
| C40 | 419215-2 | PLASTIC CASE LID | | 1 | * | | | |
| C50 | 419216-0 | HANDLE | | 1 | * | | | |
| A03-3A | 141205-4 | PLASTIC CARRYING CASE | < | 1 | | | | |
| C10 | 324207-7 | SHAFT | | 1 | | | | |
| C20 | 413098-2 | PLATE | | 4 | | | | |
| C30 | 417724-5 | LATCH | | 2 | | | | |
| C40 | 419215-2 | PLASTIC CASE LID | | 1 | | | | |
| C50 | 419216-0 | HANDLE | | 1 | | | | |
| A04A | 804819-7 | BTP130RFE PLASTIC CASE LABEL | | 1 | | | | |
| A04B | 837670-0 | INNER TRAY | | 1 | | | | |
| A04C | 837670-0 | INNER TRAY | | 1 | | | | |
| A05A | D-23759 | 1/4" HEX BIT ASSORTMENT FOR | | 1 | | | | |
| A05B | D-23759 | 1/4" HEX BIT ASSORTMENT FOR | | 1 | | | | |
| A06A | 450128-8 | BATTERY COVER | | 1 | | | | |
| A06B | 450128-8 | BATTERY COVER | | 1 | | | | |
| A07B | 800T09-0 | BTP130RFJ INDICATION LABEL | | 1 | | | | |
| A07C | 800T11-3 | BTP130ZJ INDICATION LABEL | | 1 | | | | |
| A08B | 800T10-5 | BTP130RFJ PLASTIC CASE LABEL | | 2 | | | | |
| A08C | 800T12-1 | BTP130ZJ PLASTIC CASE LABEL | | 2 | | | | |

Please order the parts with part number.

Print Date 25/6/2019