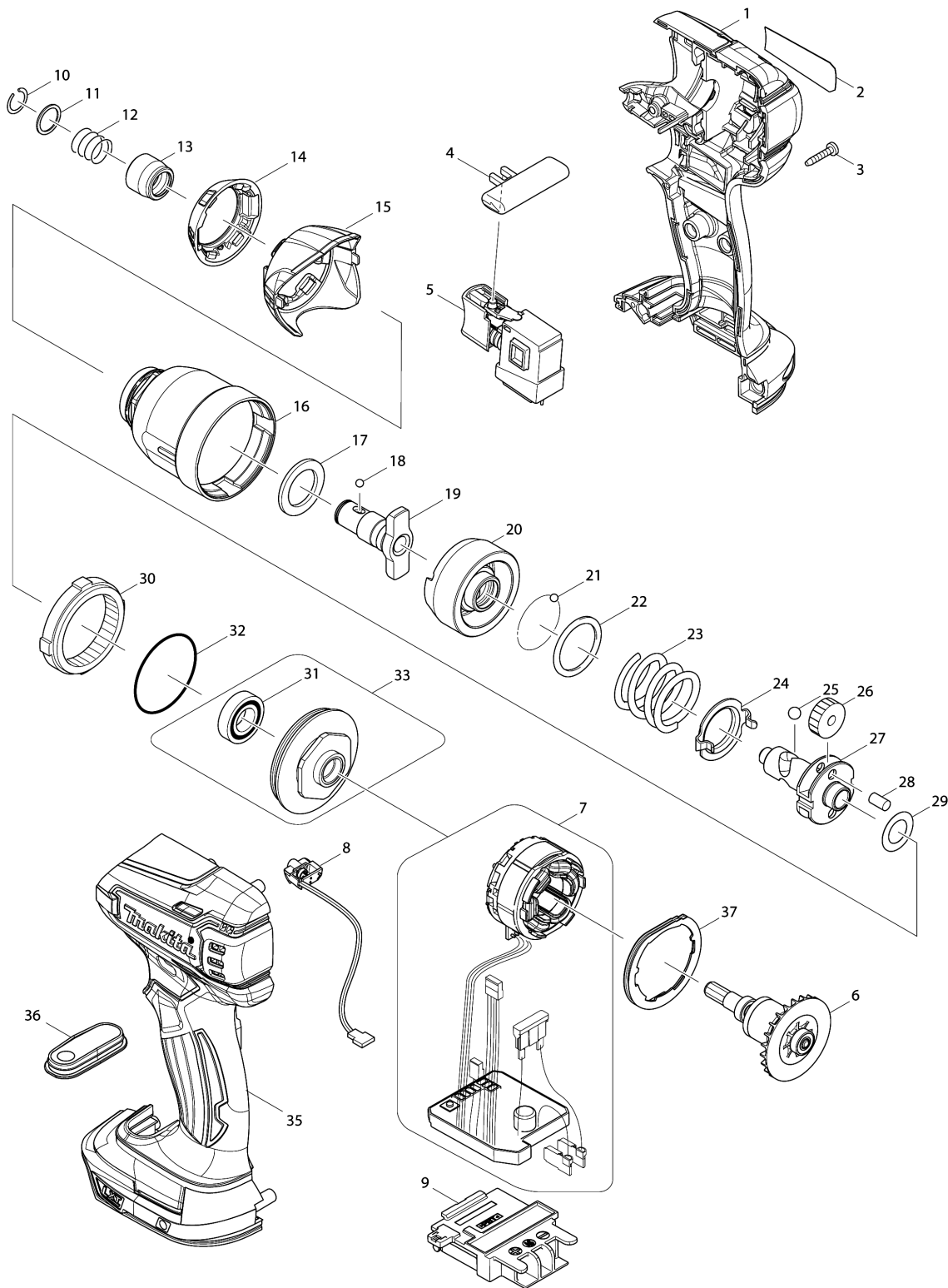


# Model No.BTD147 CORDLESS IMPACT DRIVER





## Model No.BTD147 CORDLESS IMPACT DRIVER

Item	Parts No.	Description	I/C	Qty	New/Old	Opt. 1	Opt. 2	Note
001	187388-6	HOUSING SET		1				
C10	263005-3	RUBBER PIN 6		2				
D10		INC. 35						
002	897166-3	BTD147 NAME PLATE		1				
003	266130-9	TAPPING SCREW BIND PT 3X16		9				
004	419041-9	F/R CHANGE LEVER		1				
005	141448-8	SWITCH COMPLETE		1				
C10	424496-5	SEAL		1				
006	619297-6	ROTER		1	*			
006-1	619353-2	ROTOR	<	1				
007	632A40-2	STATOR UNIT		1				
008	620136-5	LED CIRCUIT		1				
009	643860-3	TERMINAL		1				
010	231951-8	RING SPRING 11		1				
011	267085-1	FLAT WASHER 12		1				
012	233005-7	COMPRESSION SPRING 13		1				
013	326072-0	BIT SLEEVE		1				
014	424495-7	BUMPER		1				
015	453664-3	HAMMER CASE COVER		1				
016	141477-1	HAMMER CASE COMPLETE		1				
017	261151-6	NYLON WASHER 19		1				
018	216001-0	STEEL BALL 3.5		2				
019	326071-2	ANVIL M		1				
020	326054-2	HAMMER		1				
021	216001-0	STEEL BALL 3.5		24				
022	267175-0	FLAT WASHER 24		1				
023	234251-5	COMPRESSION SPRING 25		1				
024	346466-3	PLATE		1				
025	216011-7	STEEL BALL 5.6		2				
026	227233-4	SPUR GEAR 22		2	*			
026-1	227362-3	SPUR GEAR 22	<	2				
027	326066-5	SPINDLE		1				
028	256253-1	PIN 5		2				
029	253362-7	THIN WASHER 12		1				
030	227150-8	INTERNAL GEAR 51		1				
031	211140-1	BALL BEARING 6901LLB		1	*			
032	213507-9	O RING 40		1				
033	158145-9	BEARING BOX COMPLETE		1				
D10		INC. 31			*			
035	187388-6	HOUSING SET		1				
C10	263005-3	RUBBER PIN 6		2				
D10		INC. 1						

Please order the parts with part number.

Print Date 25/6/2019

## Model No.BTD147 CORDLESS IMPACT DRIVER

Item	Parts No.	Description	I/C	Qty	New/Old	Opt. 1	Opt. 2	Note
036	141583-2	SWITCH PLATE COMPLETE		1	*			
036-1	141583-2	SWITCH PLATE COMPLETE	<	1				
037	453665-1	BAFFLE PLATE		1				
A01	346317-0	HOOK		1				
A02	266622-8	+ TRUSS HEAD SCREW M4X12		1				
A03B	***DC18RC	DC18RC FAST CHARGER		1				
A03C	***DC18RC	DC18RC FAST CHARGER		1				
A04B	194204-5	BATTERY BL1830 SET		2	*			
A04C	194204-5	BATTERY BL1830 SET		2	*			
A04-1B	194204-5	BATTERY BL1830 SET	O	2	*			
A04-1C	194204-5	BATTERY BL1830 SET	O	2	*			
A04-2B	197600-6	BATTERY BL1830B SET	<	2	*			
A04-2C	197600-6	BATTERY BL1830B SET	<	2	*			
A04-3B	197600-6	BATTERY BL1830B SET	O	2				
A04-3C	197600-6	BATTERY BL1830B SET	O	2				
A05B	450128-8	BATTERY COVER		1				
A05C	450128-8	BATTERY COVER		1				
A06B	824979-9	PLASTIC CARRYING CASE		1				
C10	162302-3	LATCH		2				
C20	324319-6	SHAFT		1				
C30	451749-9	HANDLE		1				
A06C	821550-0	CONNECTOR PLASTIC CASE (TYPE2)		1	*			
C10	453974-8	LATCH		4	*			
A06D	821550-0	CONNECTOR PLASTIC CASE (TYPE2)		1	*			
C10	453974-8	LATCH		4	*			
A06-1C	821550-0	CONNECTOR PLASTIC CASE (TYPE2)	<	1				
C10	453974-8	LATCH		4				
A06-1D	821550-0	CONNECTOR PLASTIC CASE (TYPE2)	<	1				
C10	453974-8	LATCH		4				
A07B	898666-6	BTD147RFE PLASTIC CASE LABEL		2				
A07C	837670-0	INNER TRAY		1				
A07D	837670-0	INNER TRAY		1				
A08C	800R04-8	BTD147RFJ INDICATION LABEL		1				
A08D	800R06-4	BTD147ZJ INDICATION LABEL		1				
A09C	800R05-6	BTD147RFJ PLASTIC CASE LABEL		2				
A09D	800R07-2	BTD147ZJ PLASTIC CASE LABEL		2				

Please order the parts with part number.

Print Date 25/6/2019